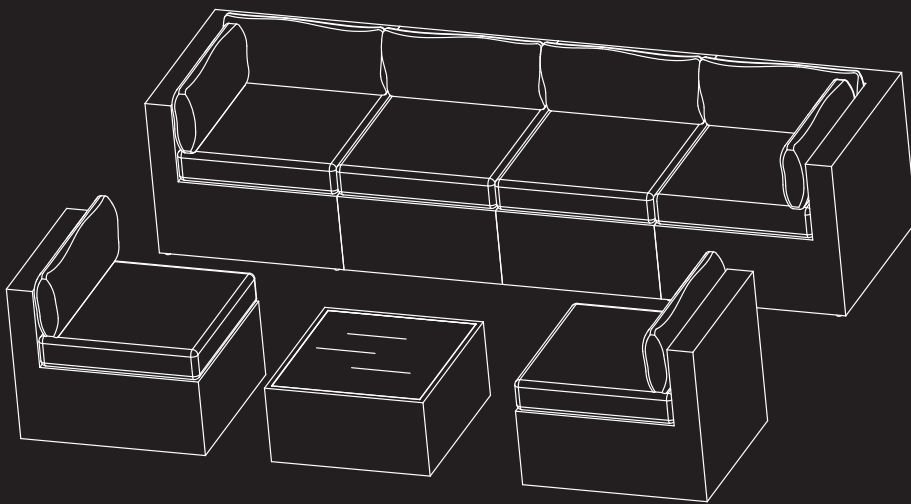
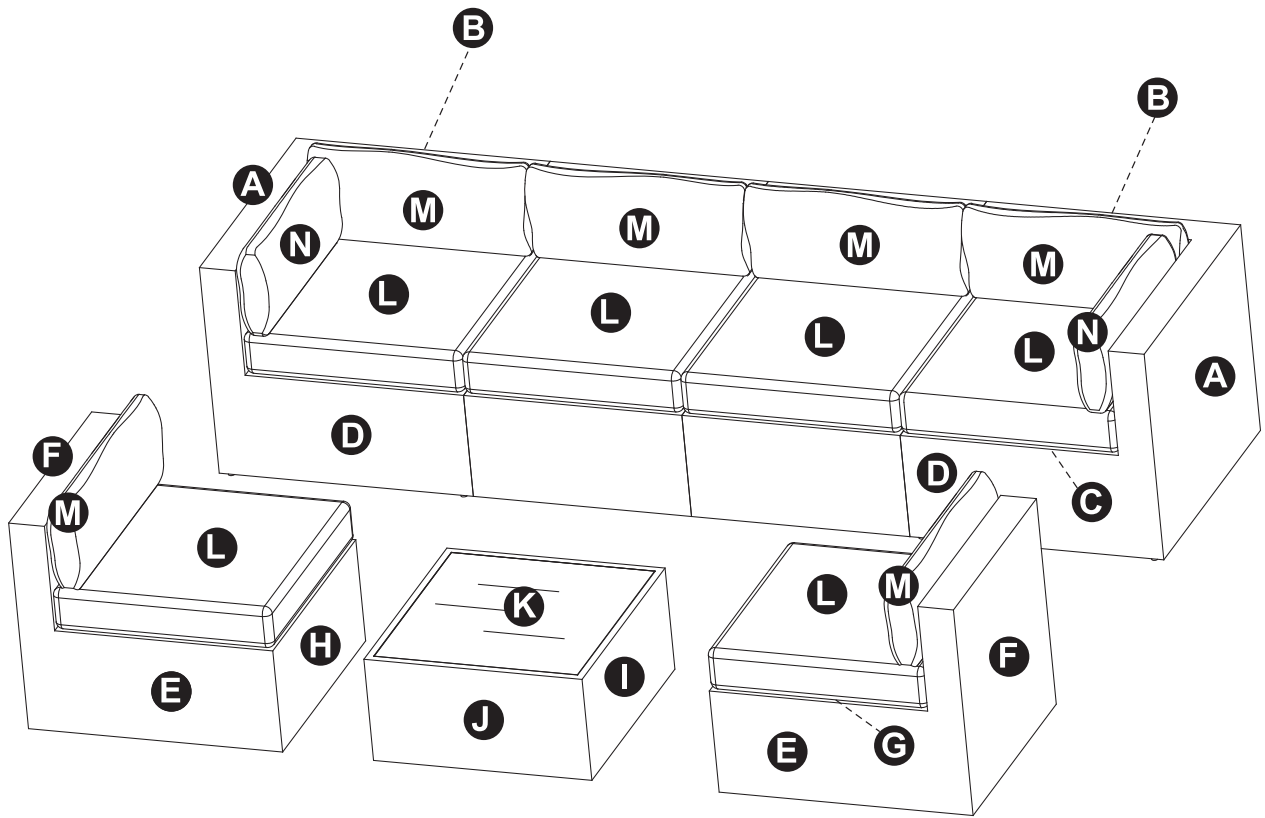


**Patio
Furniture Set**
Instruction Manual

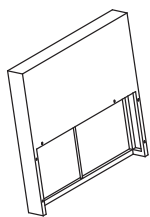
**Conjunto de
muebles de patio**
Manual de instrucciones

**Ensemble de
mobilier de patio**

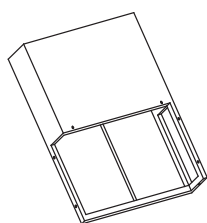




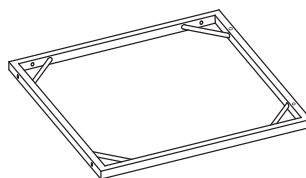
A X2



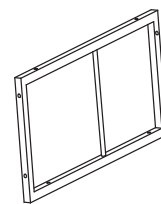
B X2



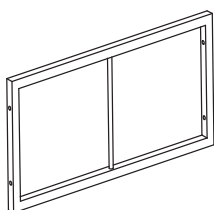
C X2



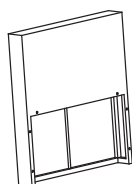
D X2



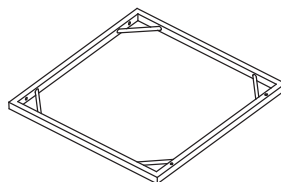
E X10



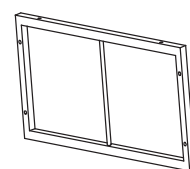
F X4



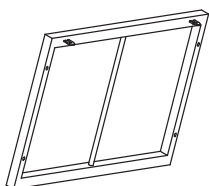
G X4



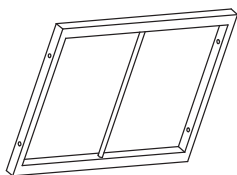
H X4



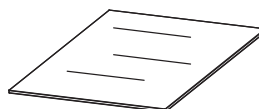
I X2



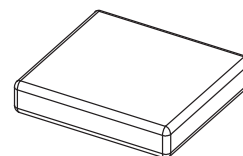
J X2



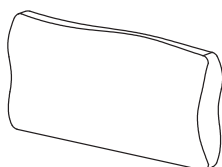
K X1



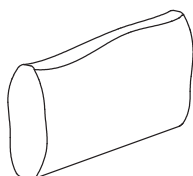
L X6



M X6



N X2



1 X1



2 X84

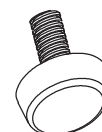


M6x35mm


3 X84



4 X28



3


EN:  : Partially tighten the screws.

 : Fully tighten all screws.

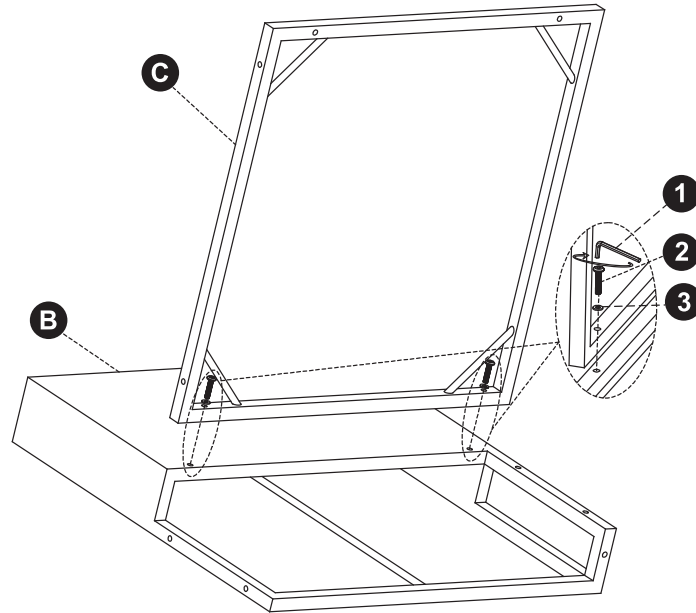
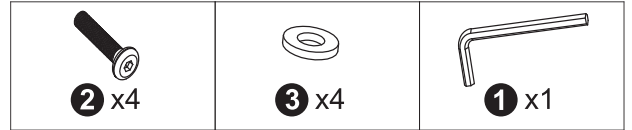
ES:  : Apriete parcialmente los tornillos.

 : Apriete completamente todos los tornillos.

Step 1

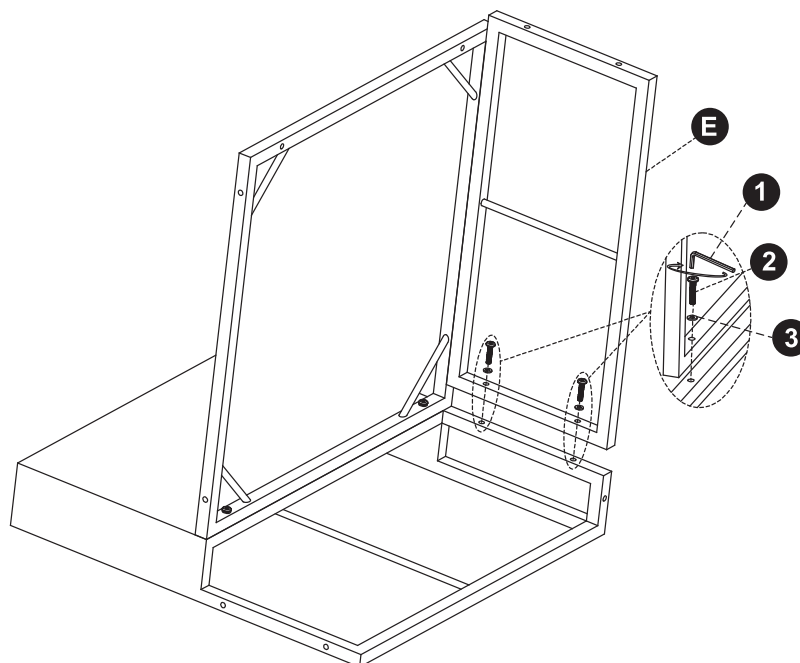
FR:  : Serrez d'abord les vis partiellement.

 : Serrez toutes les vis complètement.



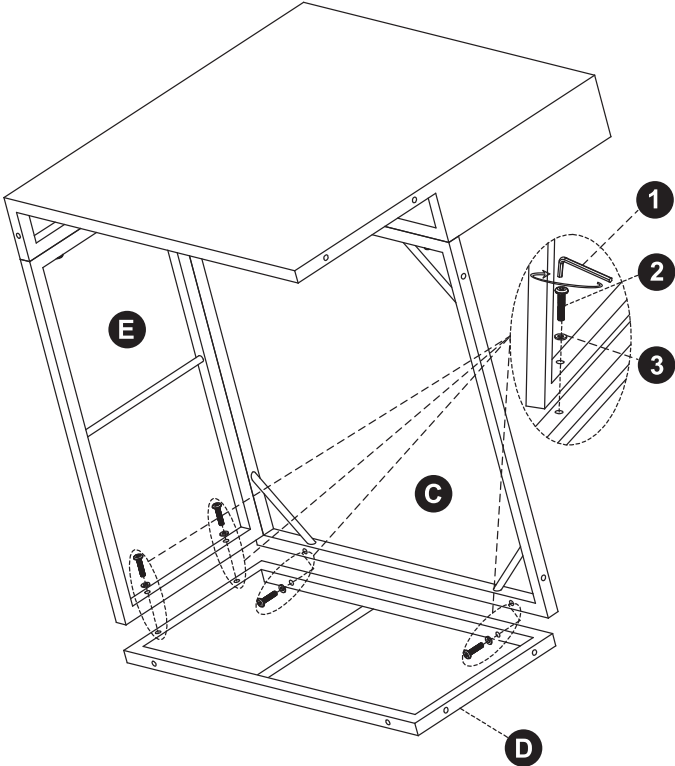
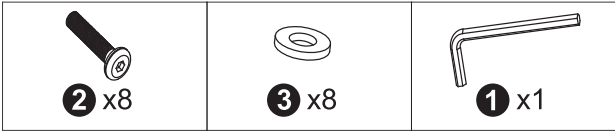
x2

Step 2

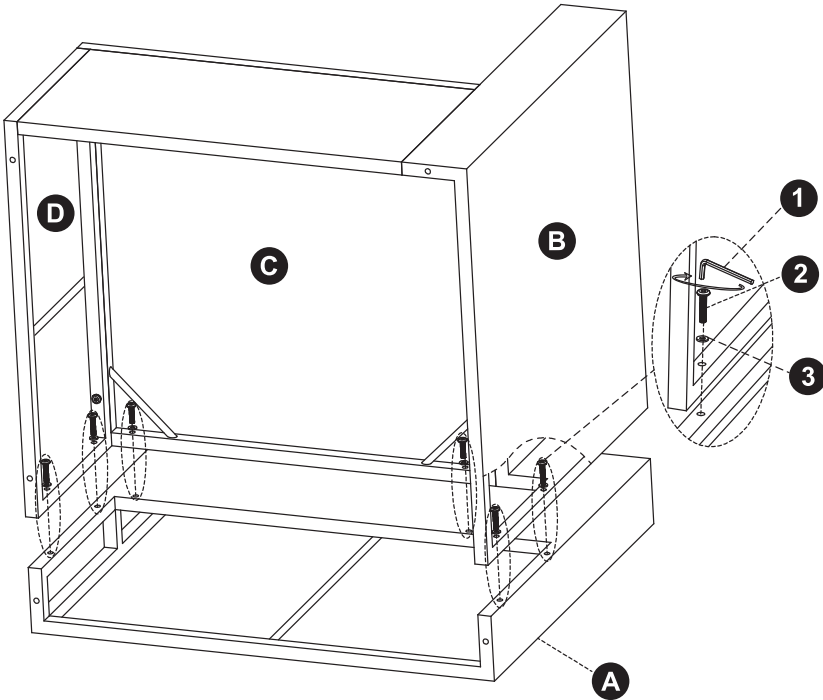
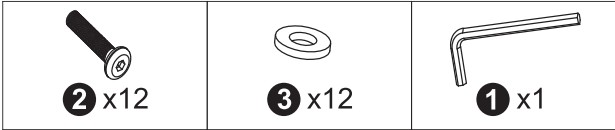


x2

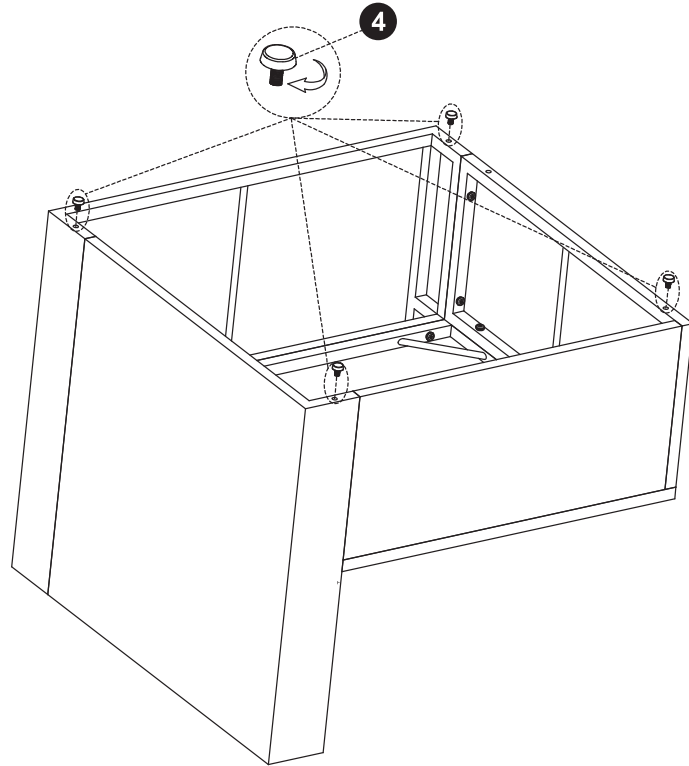
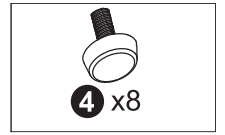
Step 3



Step 4

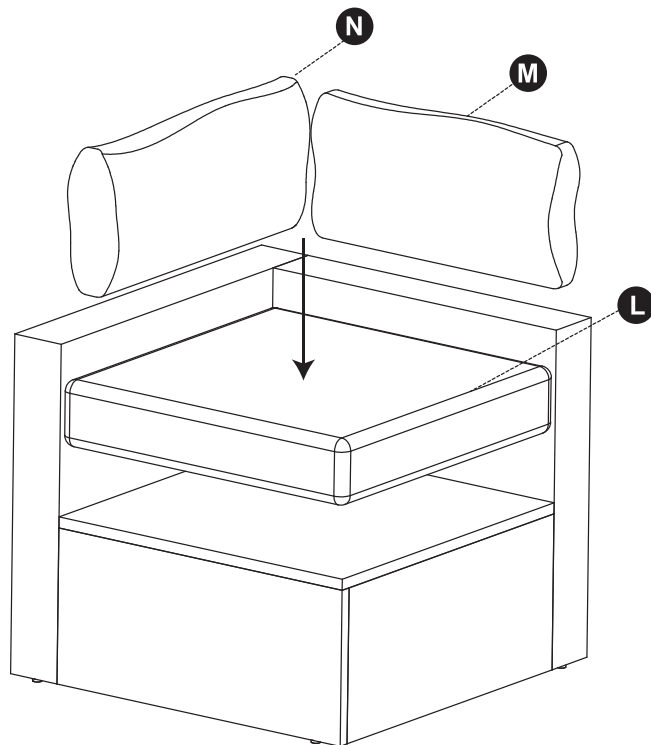


Step 5



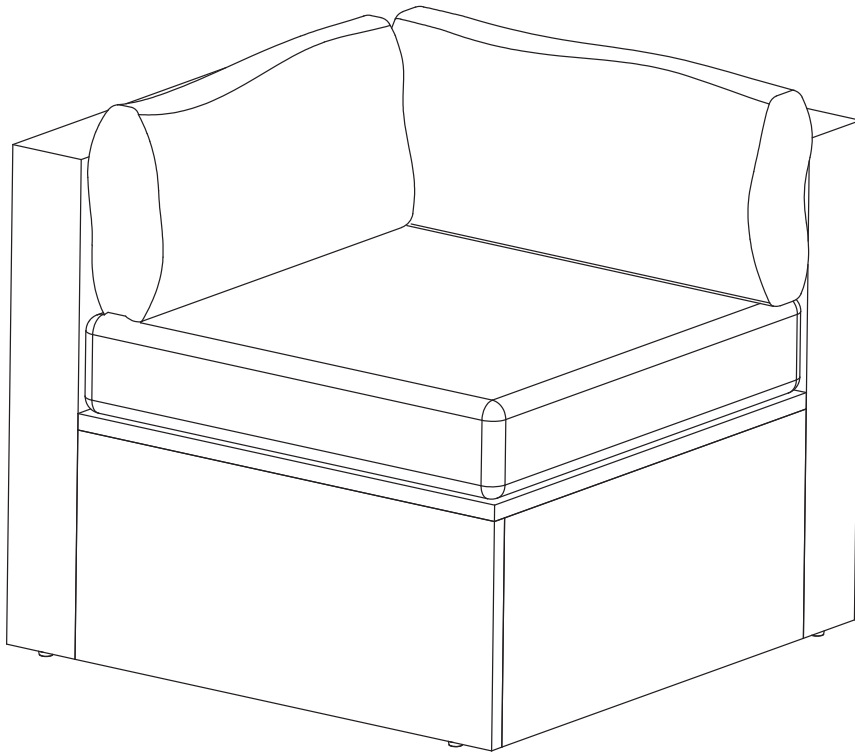
x2

Step 6



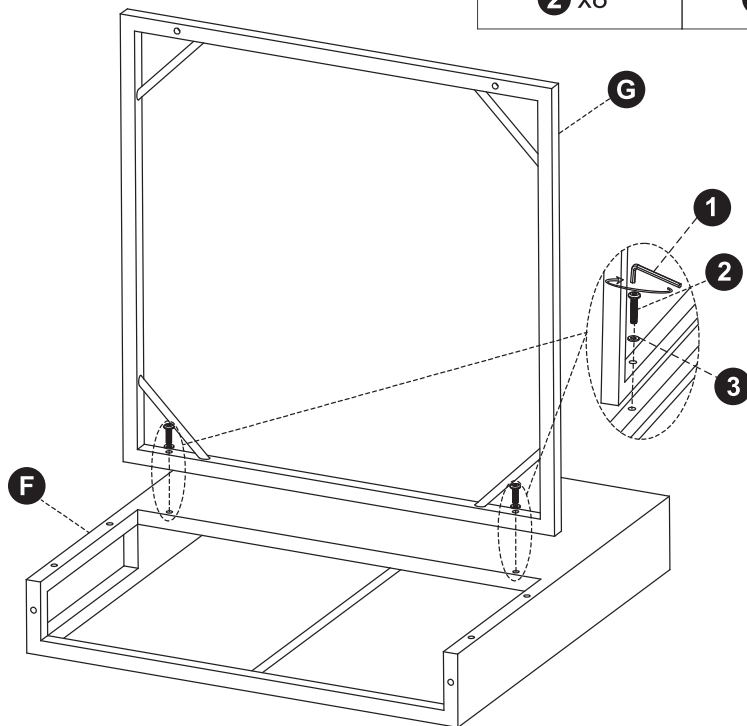
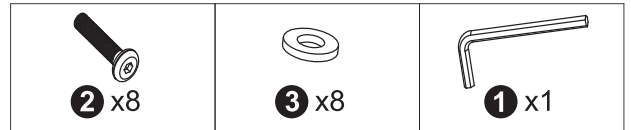
x2

Step 7



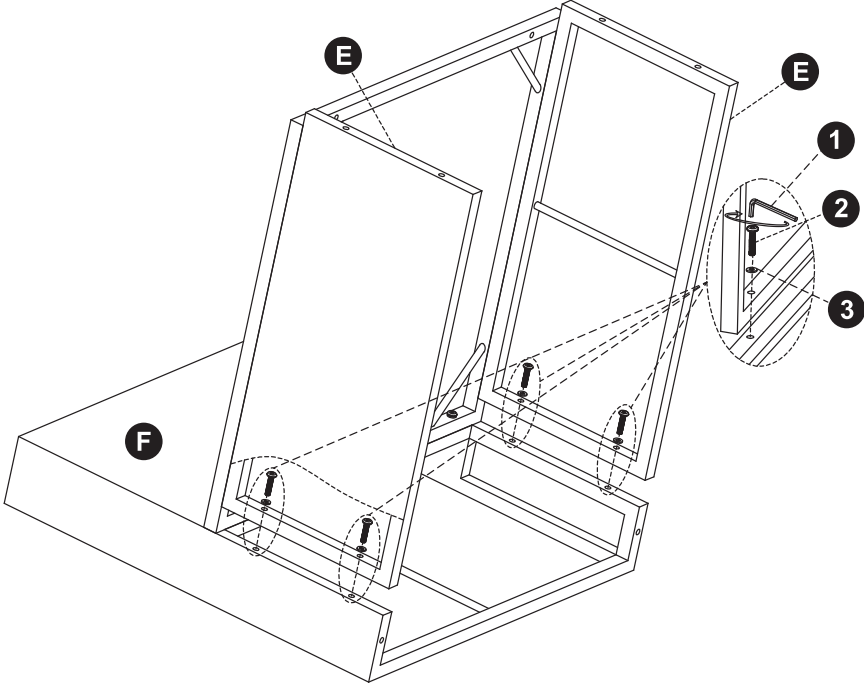
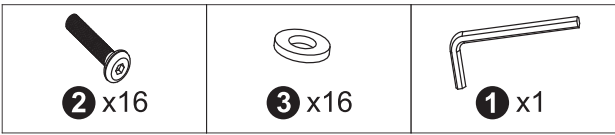
x2

Step 8



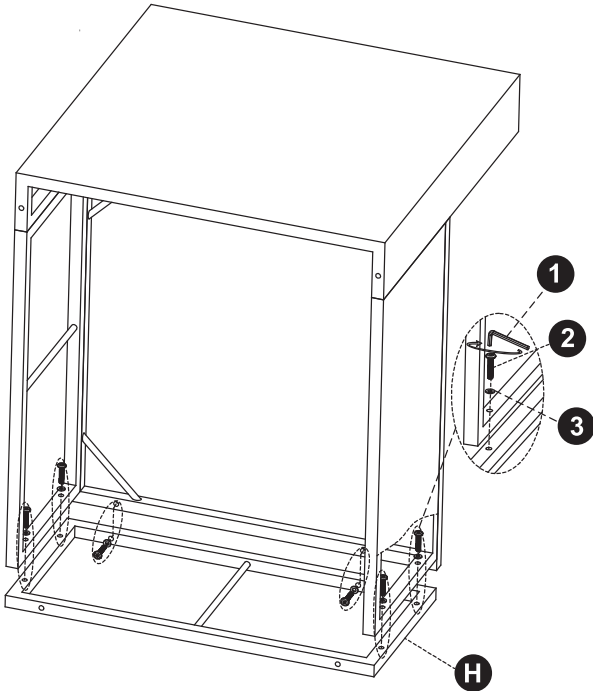
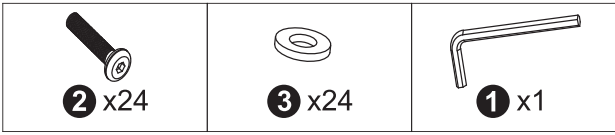
x4

Step 9



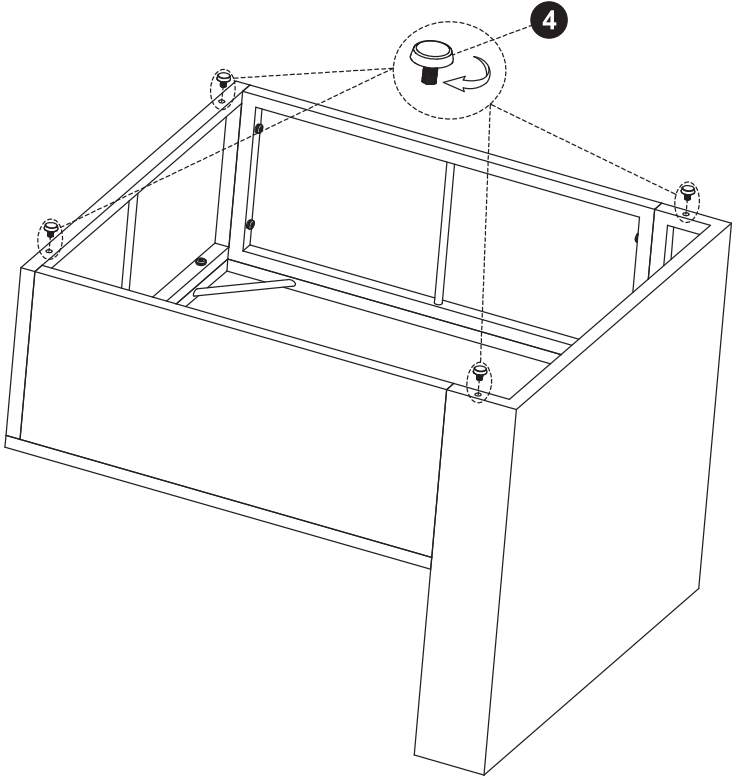
x4

Step 10



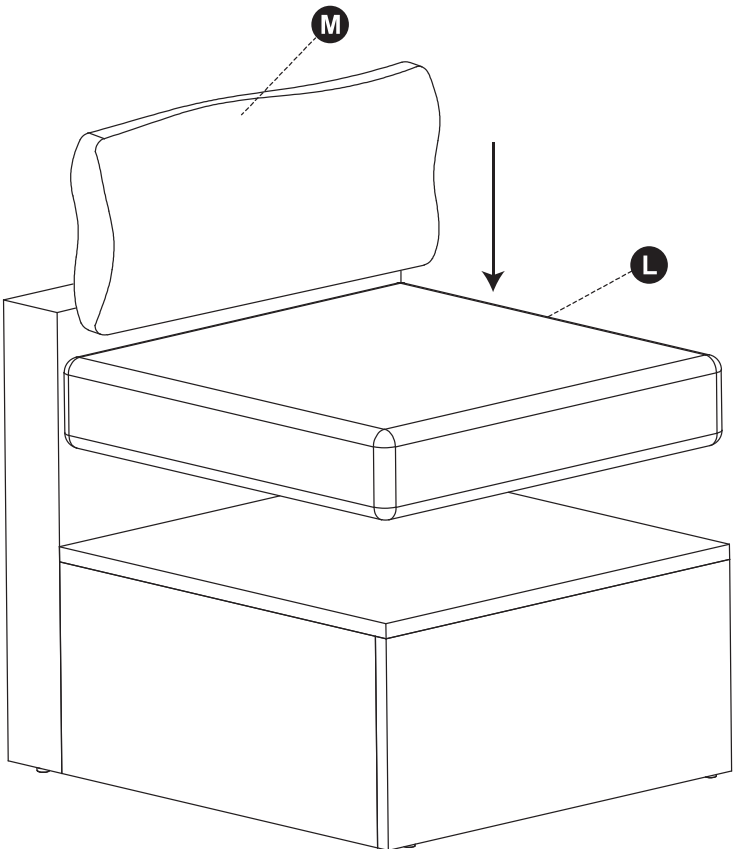
x4

Step 11



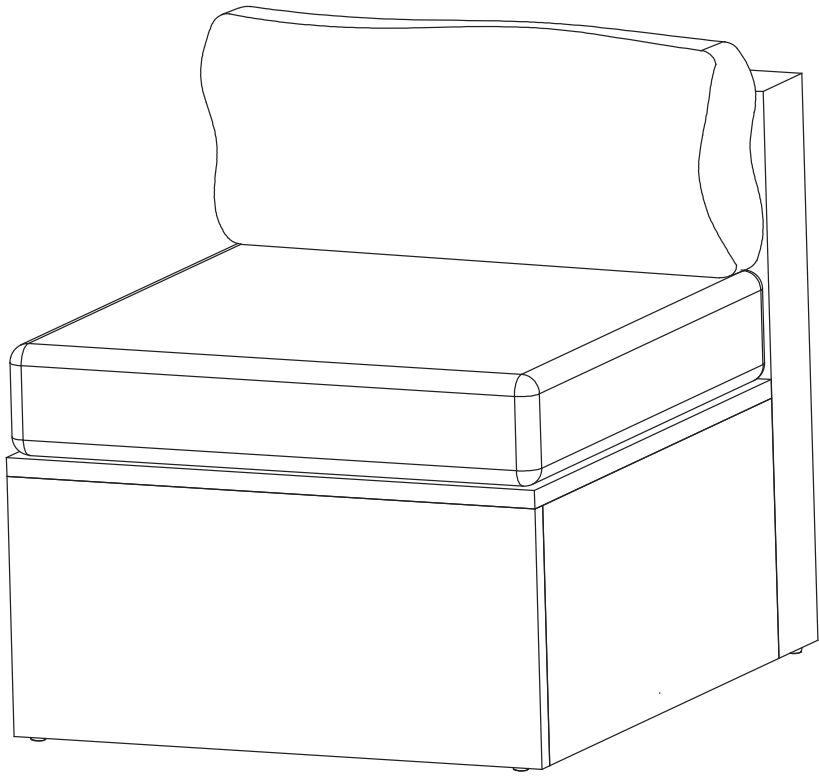
x4

Step 12



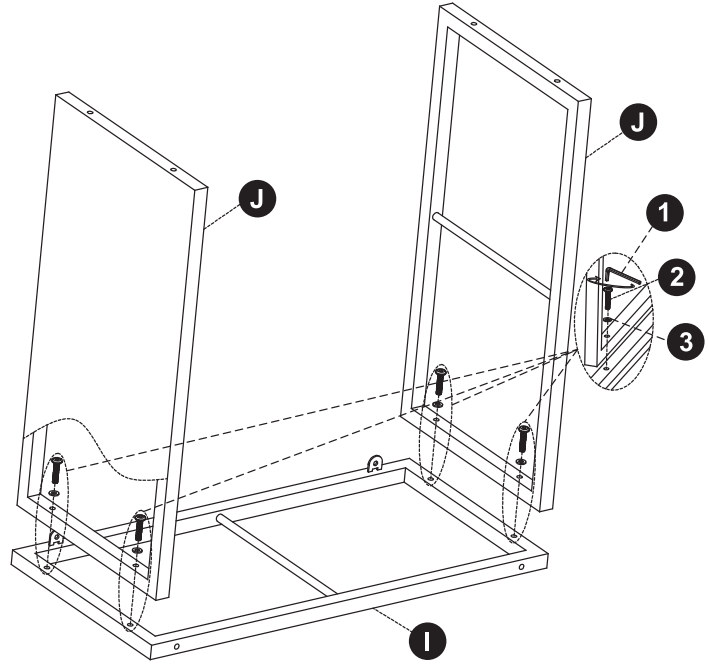
x4

Step 13

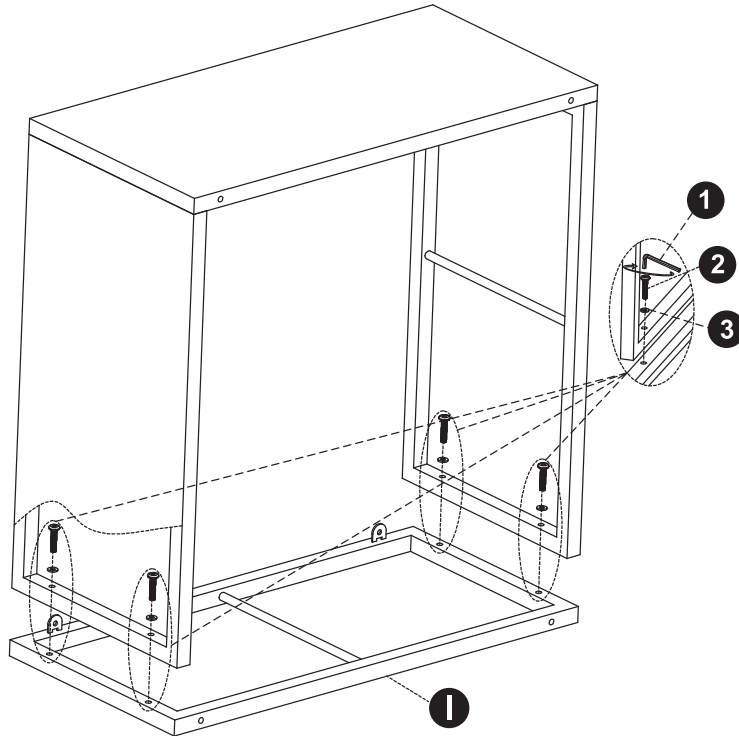
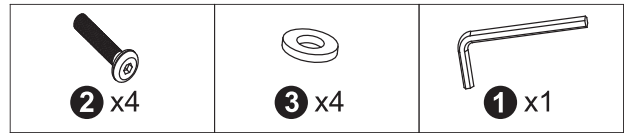


x4

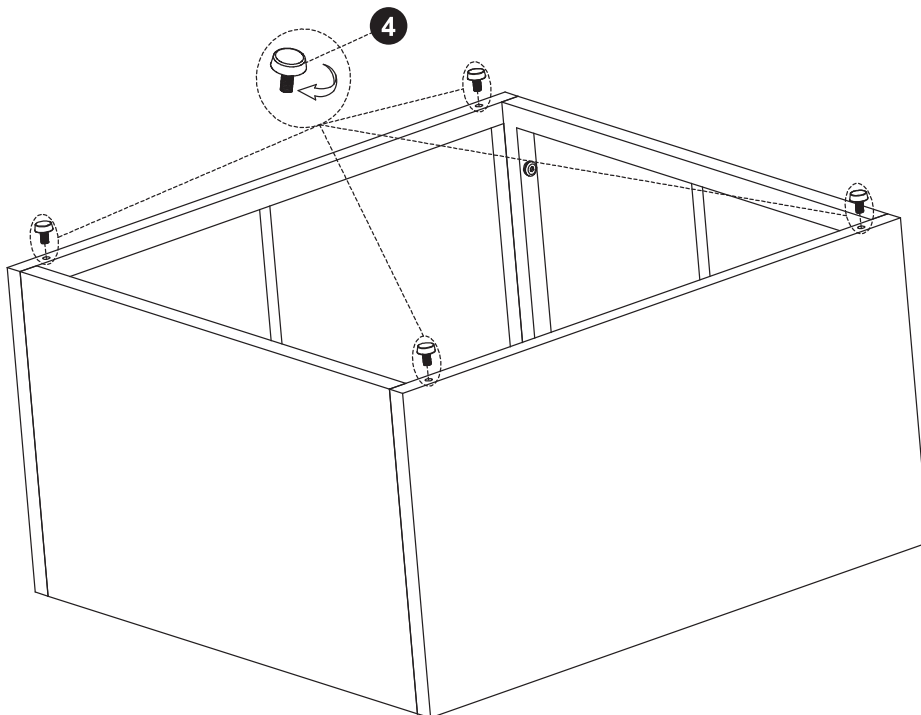
Step 14



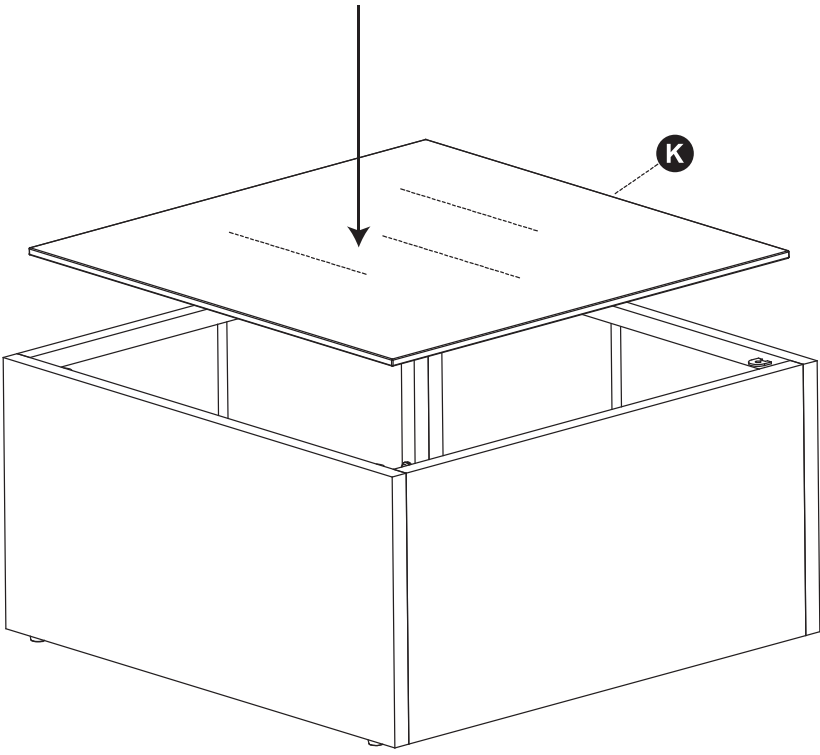
Step 15



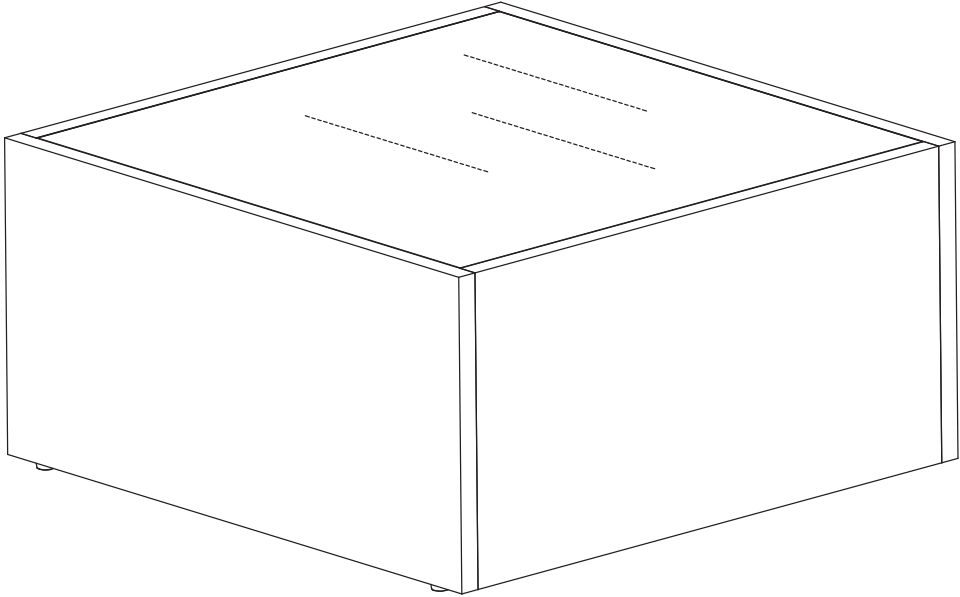
Step 16



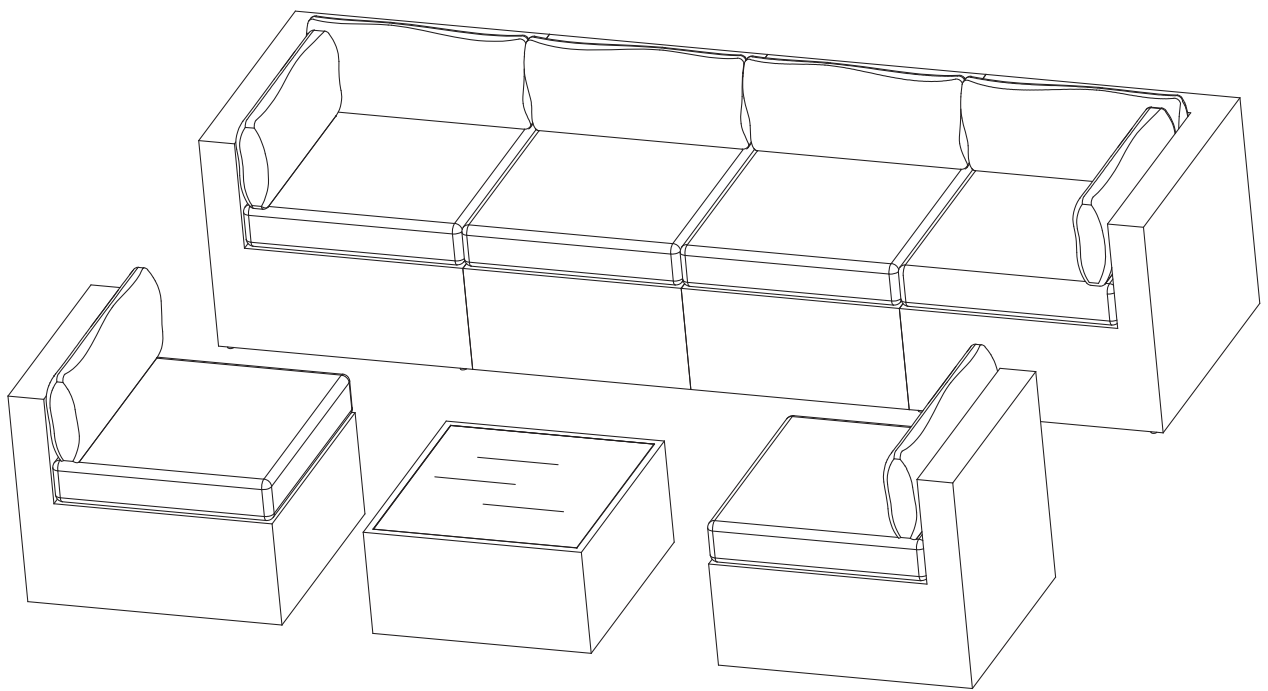
Step 17

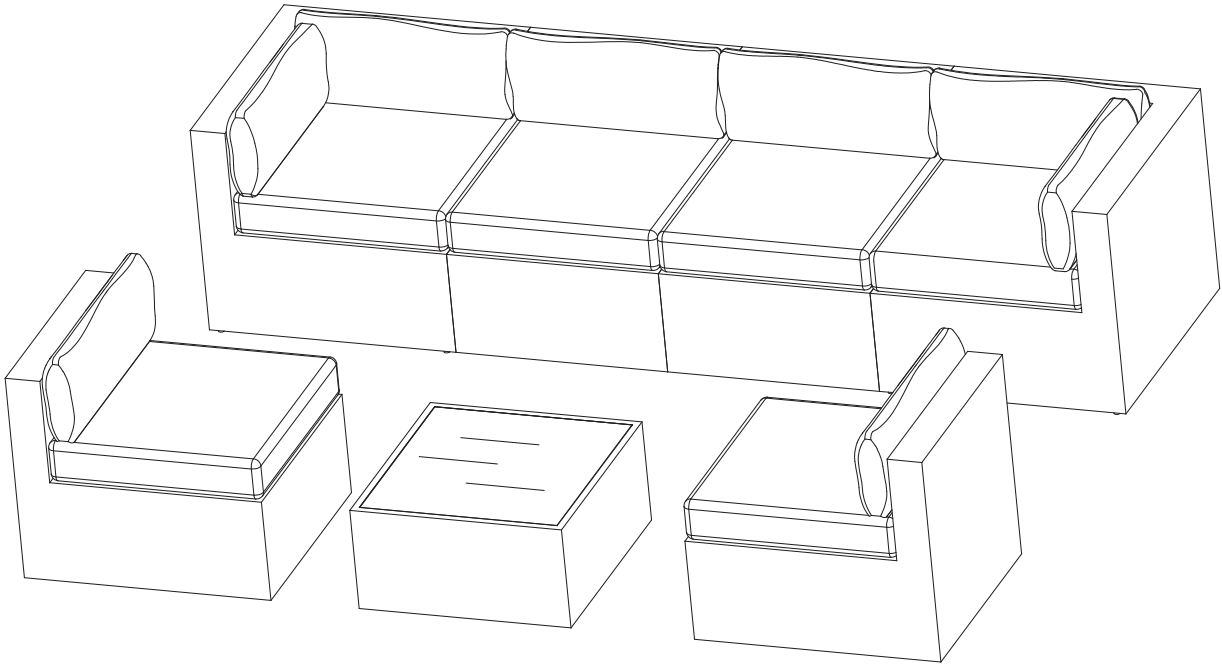


Step 18



Step 19





Thank you for choosing this product. We strive to provide you with the best quality products and service in the industry. Should you have any issues, please don't hesitate to contact us.