

USE AND CARE GUIDE

— 52-INCH CEILING FAN —

01 Safety Information

1. To reduce the risk of electric shock, ensure the electricity has been turned off at the circuit breaker or fuse box before you begin.
2. All wiring must be in accordance with the National Electrical Code ANSI/NFPA 70-1999 and local electrical codes. Electrical installation should be performed by a qualified licensed electrician.
3. The outlet box and support structure must be securely mounted and capable of reliably supporting 35 lbs. (15.9 kg). Use only UL Listed outlet boxes marked "Acceptable for Fan Support of 35 lbs. (15.9 kg) or less".
4. The fan must be mounted with a minimum of 7 ft. (2.1 m) clearance from the trailing edge of the blades to the floor.
5. Do not operate the reversing switch while the fan blades are in motion. You must turn the fan off and stop the blades before you reverse the blade direction.
6. Do not place objects in the path of the blades.
7. To avoid personal injury or damage to the fan and other items, use caution when working around or cleaning the fan.
8. Electrical diagrams are for reference only. Light kits that are not packed with the fan must be UL-listed and marked suitable for use with the model fan you are installing. Switches must be UL General Use Switches. Refer to the instructions packaged with the light kits and switches for proper assembly.
9. After making electrical connections, spliced conductors should be turned upward and pushed carefully up into the outlet box. The wires should be spread apart with the grounded conductor and the equipment-grounding conductor on one side of the outlet box.
10. All setscrews must be checked and re-tightened where necessary before installation.



WARNING: To reduce the risk of personal injury, do not bend the blade brackets (also referred to as flanges) during assembly or after installation. Do not insert objects in the path of the blades.



WARNING: Remove the rubber motor stops on the bottom of the fan before installing the blades or testing the motor.



WARNING: To reduce the risk of fire or electric shock, this fan is NOT suitable for use with solid-state speed controls.



WARNING: To avoid possible electrical shock, make sure that the electricity is turned off at the main power box before starting work. If you feel you do not have enough electrical wiring knowledge or experience, contact a licensed electrician.



WARNING: Electrical diagrams are for reference only. Optional use of any light kit shall be UL-listed and marked suitable for use with this fan.



WARNING: To reduce the risk of fire, electrical shock or personal injury, ensure that the fan mounting bracket is supported directly from the building structure or the outlet box marked "Acceptable for Fan Support of 35 lbs. (15.9 kg) or less". Use only the screws provided with the outlet box.

02) Warranty

The supplier warrants the fan motor to be free from defects in workmanship and material present at time of shipment from the factory for a lifetime after the date of purchase by the original purchaser. The supplier also warrants that all other fan parts, excluding any glass or acrylic blades, to be free from defects in workmanship and material at the time.

of shipment from the factory for a period of two years after the date of purchase by the original purchaser. We agree to correct such defects without charge or at our option replace with a comparable or superior model if the product is returned.

To obtain warranty service, you must present a copy of the receipt as proof of purchase. All costs of removing and re-installing the product are your responsibility. Damage to any part such as by accident, misuse, improper installation, or by affixing any accessories, is not covered by this warranty.

Because of varying climatic conditions this warranty does not cover any changes in brass finish, including rusting, pitting, corroding, tarnishing, or peeling. Brass finishes of this type give their longest useful life when protected from varying weather conditions. A certain amount of "wobble" is normal and should not be considered a defect.

Servicing performed by unauthorized persons shall render the warranty invalid. There is no other express warranty. Hereby disclaims any and all warranties, including but not limited to those of merchant ability and fitness for a particular purpose to the extent permitted by law. The duration of any implied warranty which cannot be disclaimed is limited to the time period as specified in the express warranty. Some states do not allow a limitation on how long an implied warranty lasts, so the above limitation may not apply to you.

The retailer shall not be liable for incidental, consequential, or special damages arising out of or in connection with product use or performance except as may otherwise be accorded by law. Some states do not allow the exclusion of incidental or consequential damages, so the above exclusion or limitation may not apply to you. This warranty gives specific legal rights, and you may also have other rights which vary from state to state. This warranty supersedes all prior warranties. Shipping costs for any return of product as part of a claim on the warranty must be paid by the customer.

03) Pre-Installation

TOOLS REQUIRED



Phillips
screwdriver



Flat blade
screwdriver



Step
ladder



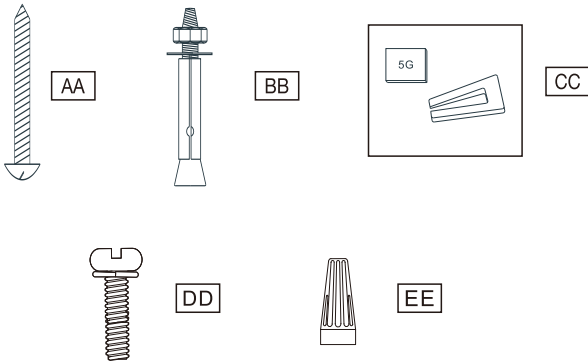
Wire
stripper



Electrical
tape

04) Pre-Installation(continued)

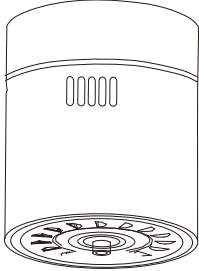

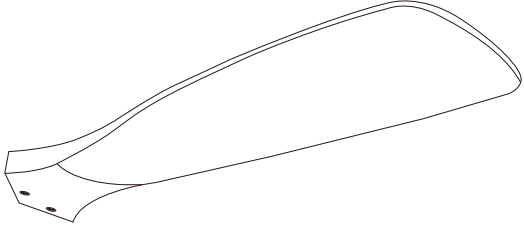
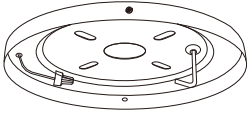
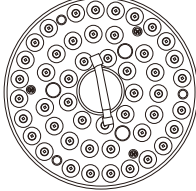
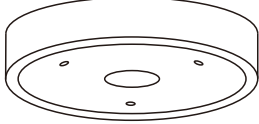
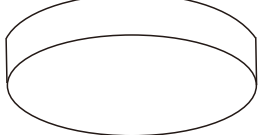

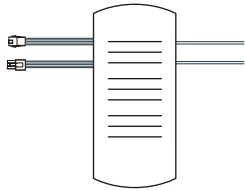
HARDWARE INCLUDED components table



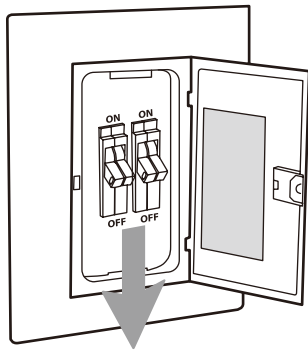
 NOTE: Hardware not shown to actual size.

AA	Mounting screws	4
BB	Expansion Bolts	2
CC	Balanced parts package	1
DD	Blade attachment screw and fiber washer (preassembled)	6
EE	Plastic wire nut(not to scale)	5

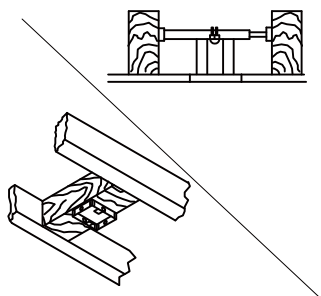
PACKAGE CONTENTS

		
A Fan-motor assembly 1	B PP 3	Blade 3
		
C Fan-motor assembly 1	D LED light kit 1	E Light kit fitter assembly 1
		
F Glass Lampshade 1	G Remote control (Transmitter) 1	H Remote control (receiver) 1

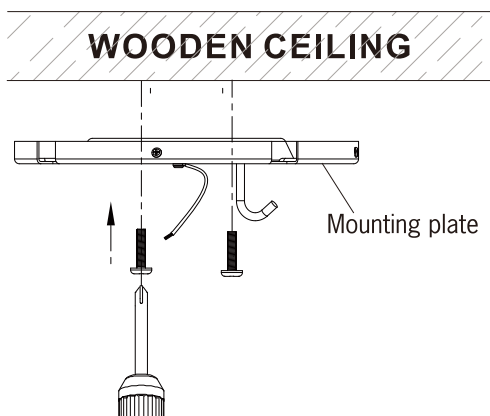
05) Installation of the hanging bracket(suspension part)



Before you begin installing the fan, Switch power off at Service panel and lock service disconnecting means to prevent power from being switched on accidentally. When the service disconnecting means cannot be locked, securely fasten a warning device, such as a tag, to the service panel.



Before installing this fan make sure the outlet box is properly installed to the house structure. To reduce the risk of re, electric shock, or personal injury, mount to outlet box or supporting system acceptable for fan support. (Mounting must support at least 35 lbs.)



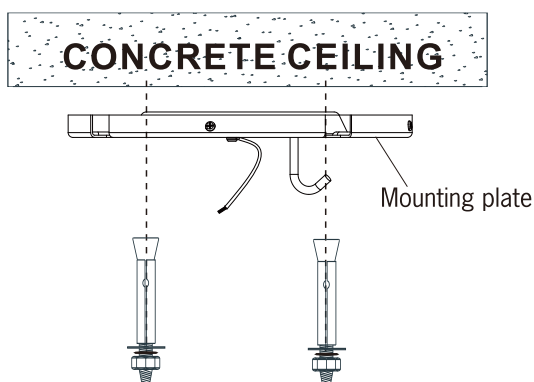
For wooden ceiling, use wood screw to drill on the wooden beam or the "junction box" to fix the hanging bracket (selection is made according to actual requirements of the customers).

STEP 1A-WOODEN CEILING

SWITCH OFF THE ELECTRICAL MAINS AT THE CIRCUIT BREAKER FUSE BOX.

- 1) Use the Mounting Bracket (A) as a guide, mark the spots where the 4 Self Tapping Screws (B) will be drilled.
- 2) Remove the Mounting Bracket (A), drill 4 holes for 3MM diameter, install the mounting bracket onto wooden ceiling with the 4 Self Tapping Screws (B) & Washers (C).

⚠ IMPORTANT : SCREWS MUST BE TIGHTENED TILL SNUG



For concrete ceiling, use the percussion bit with diameter 8mm to drill holes according to the length of expansion screws. Then use the attached expansion screws to fix the hanging bracket onto the ceiling (selection is made according to actual requirements of the customers).

STEP 2A-CONCRETE CEILING

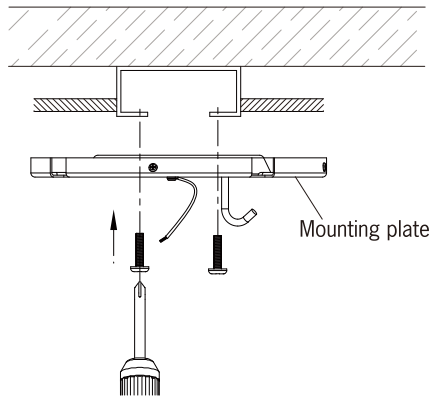
SWITCH OFF THE ELECTRICAL MAINS AT THE CIRCUIT BREAKER FUSE BOX.

- 1) Use the Mounting Bracket (A) as a guide, mark the spots where the 4 Expansion Bolts (B) will be drilled.
- 2) Remove the Mounting Bracket (A), drill 4 holes and insert 4 Expansion Bolts (2) into the concrete ceiling, install the mounting bracket and secure with Flat Washers (C), Spring Washers (D) and Nuts (E).

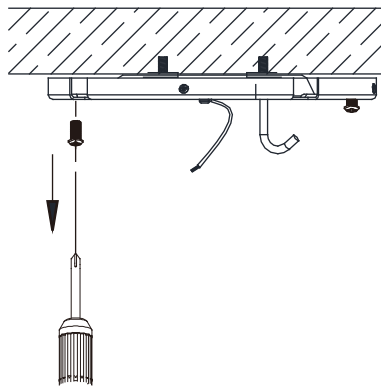
⚠ IMPORTANT : SCREWS & NUTS MUST BE TIGHTENED TILL SNUG

06) Assembly – Hanging the Fan(continued)

Preparing for mounting

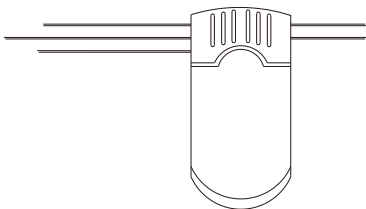


1. Use metal outlet box suitable for fan support and use only the screws provided with the outlet box (must support 35 lbs). Before attaching fan to outlet box, ensure the outlet box is securely fastened by at least two points to a structural ceiling member (a loose box will cause the fan to wobble). Remove the two outlet box screws provided with the box, aligning the holes of the mounting plate with the holes of the outlet box. Reinstall the 2 outlet box screws securely.



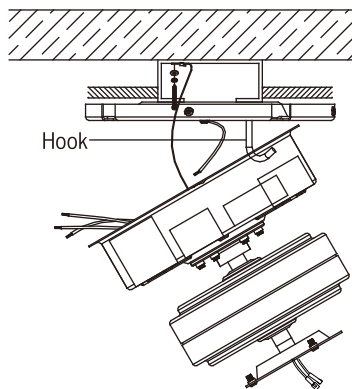
2. Loosen 2 screws across from each other and remove the other 2 preassembled screws from mounting plate (Corresponding to installation step 6). Save screws for later use.

Install remote control



3. Set dip switches on the Remote Transmitter and Remote Receiver to the same settings. This must be done so the units will communicate properly. If you have other fans you can set to control from one Transmitter by setting receivers the same as the Transmitter. If you have more than one fan with remote, you can set the dip switches to different positions to have separate control.

Note: Remote receiver is located on the top plate of motor assembly as shown in

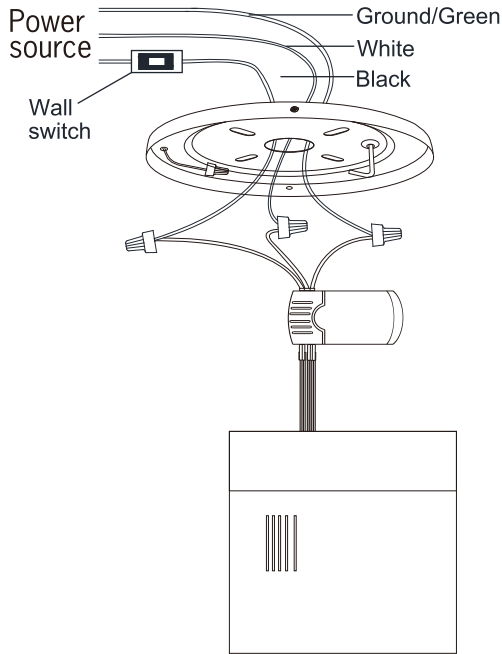


4. Mounting plate for hands-free wiring and safety cable installation.

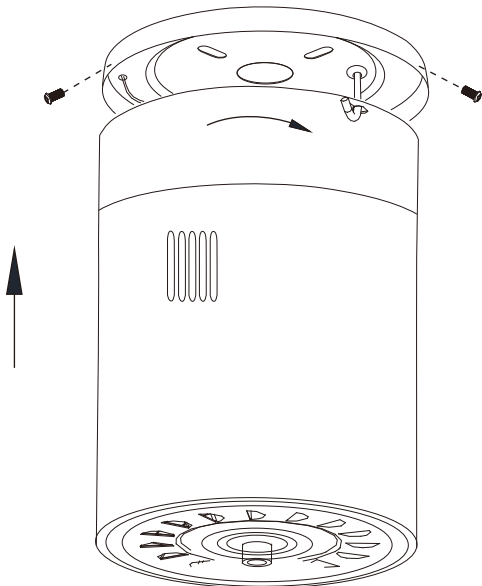
For Canadian installation and for USA fan and light kit combinations over 35 lbs, in both up and downrod modes the safety cable must be installed into the house structure beams using 3 lag screws, washers and lock washers provided. Make sure that when the safety cable is fully extended the lead wires are longer than the cable and no stress is placed on the lead wires. **Note:** If Installing The Secondary Support Safety Cable in the U.S., Do Not Remove Knockouts In The Outlet Box.

07) Assembly – Hanging the Fan(continued)

Preparing for mounting



5. Make wiring connections using wire connectors provided as indicated above.
White from house to White from remote receiver marked AC N.
Black from house to Black from remote marked AC L.
Connect all green grounded wires to Grounded wire from House.
Make sure that no laments are outside of the wire connector.

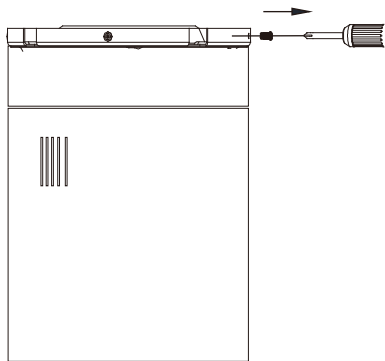


6. Lift motor assembly, aligning the keyhole slots with the preassembled screws on mounting plate, and twist clockwise till lock.

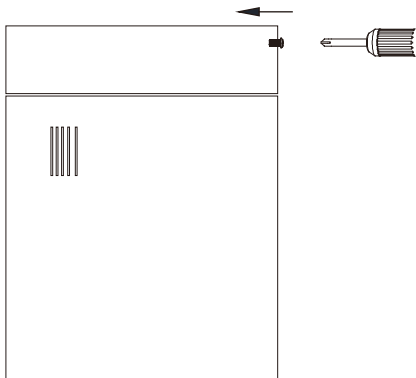


Phillips
screwdriver

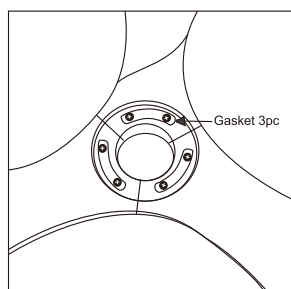
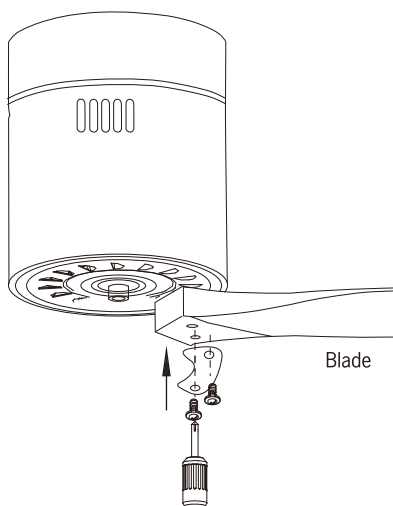
08) Assembly – Attaching the Fan Blades



7. Loosen 2 screws across from each other and remove the other 2 preassembled screws from side of mounting plate (corresponding to installation step 8). Save screws for later use.

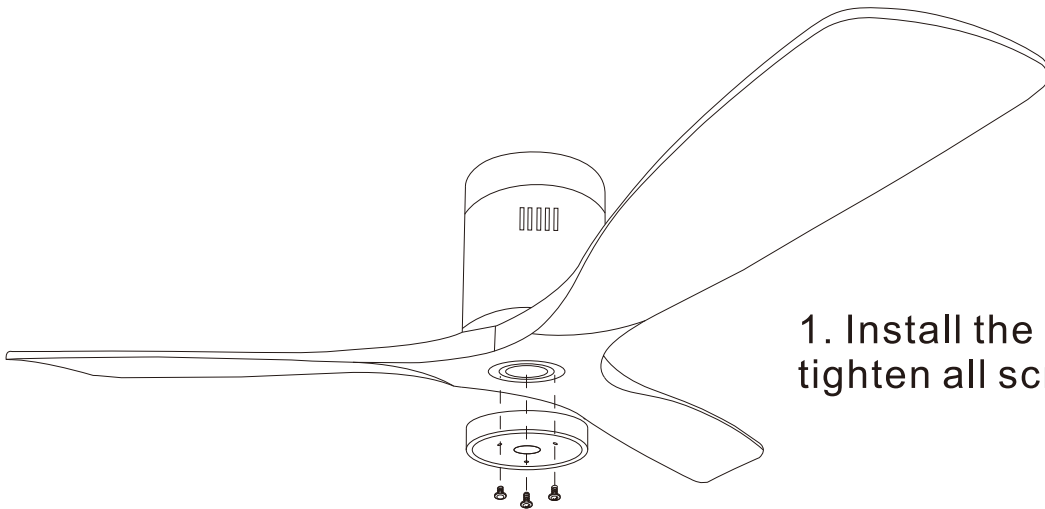


8. Attach housing onto mounting plate, aligning the keyhole slots on the housing with the screws on mounting plate and twist clockwise till tight. Reinstall the screw removed in step 7 . Tighten all screws securely.

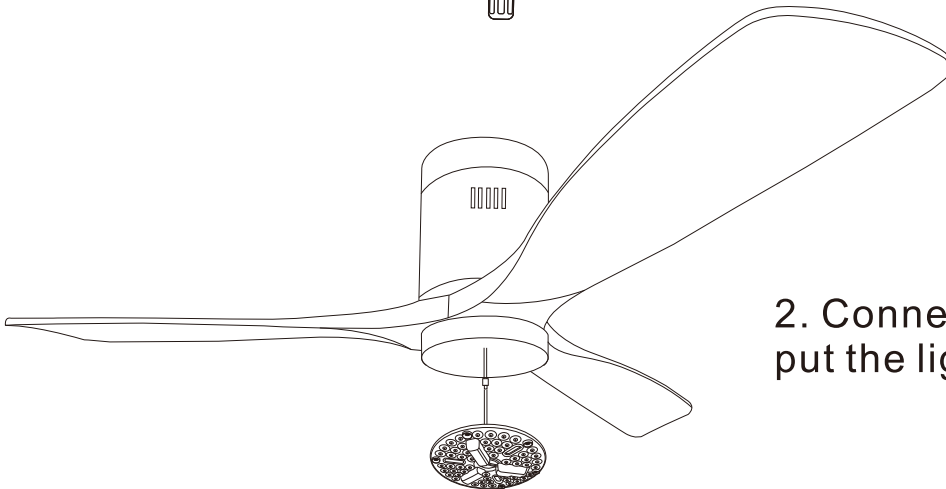


9. Install blade with screws provided, aligning each of the holes as shown and tighten all screws securely. Repeat this process for remaining blades.

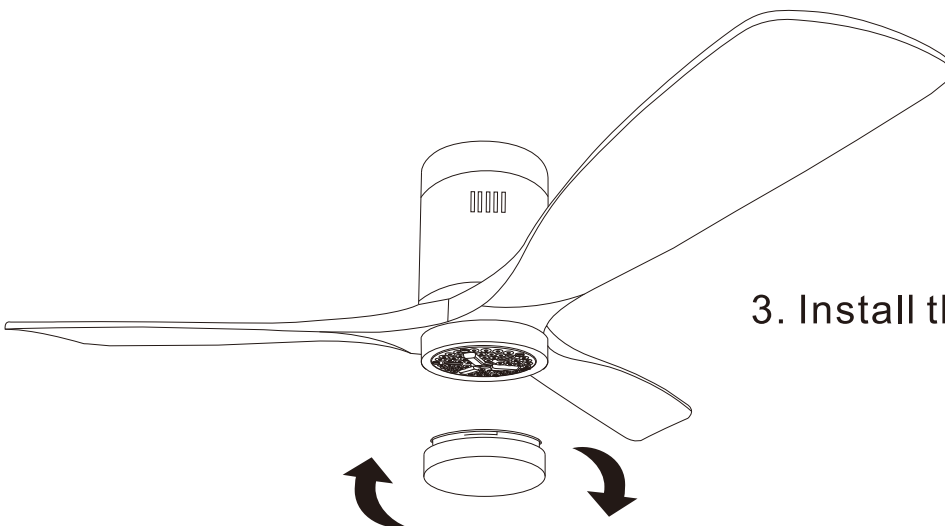
09) Assembly – Attaching the Lights



1. Install the light kit fitter, tighten all screws.

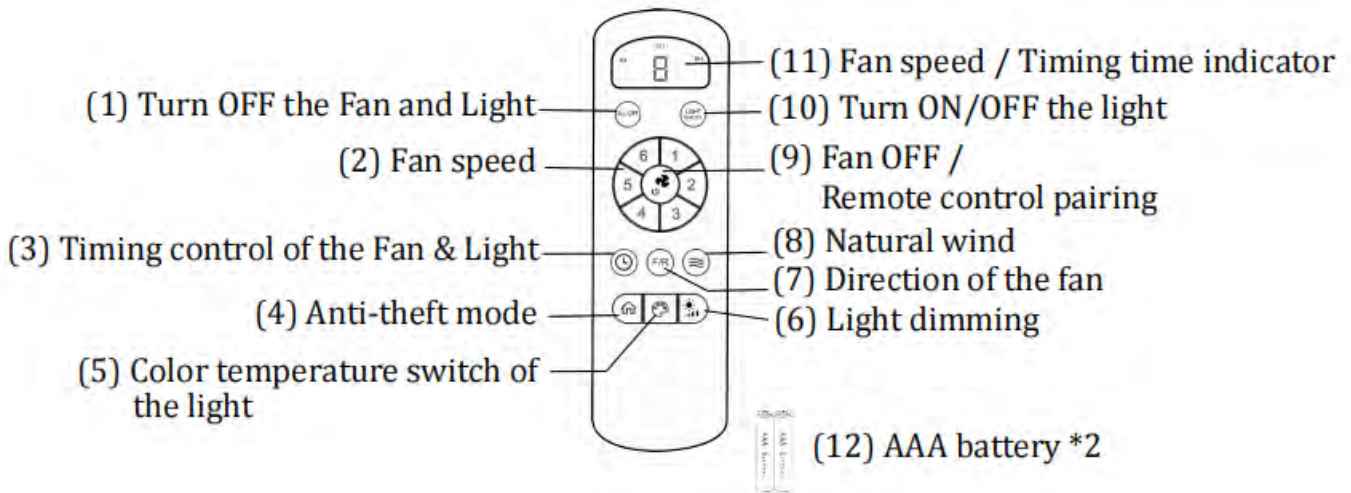


2. Connect the light kit with motor, put the light kit in the light kit fitter.



3. Install the lamp cover as shown

10) Use of remote control



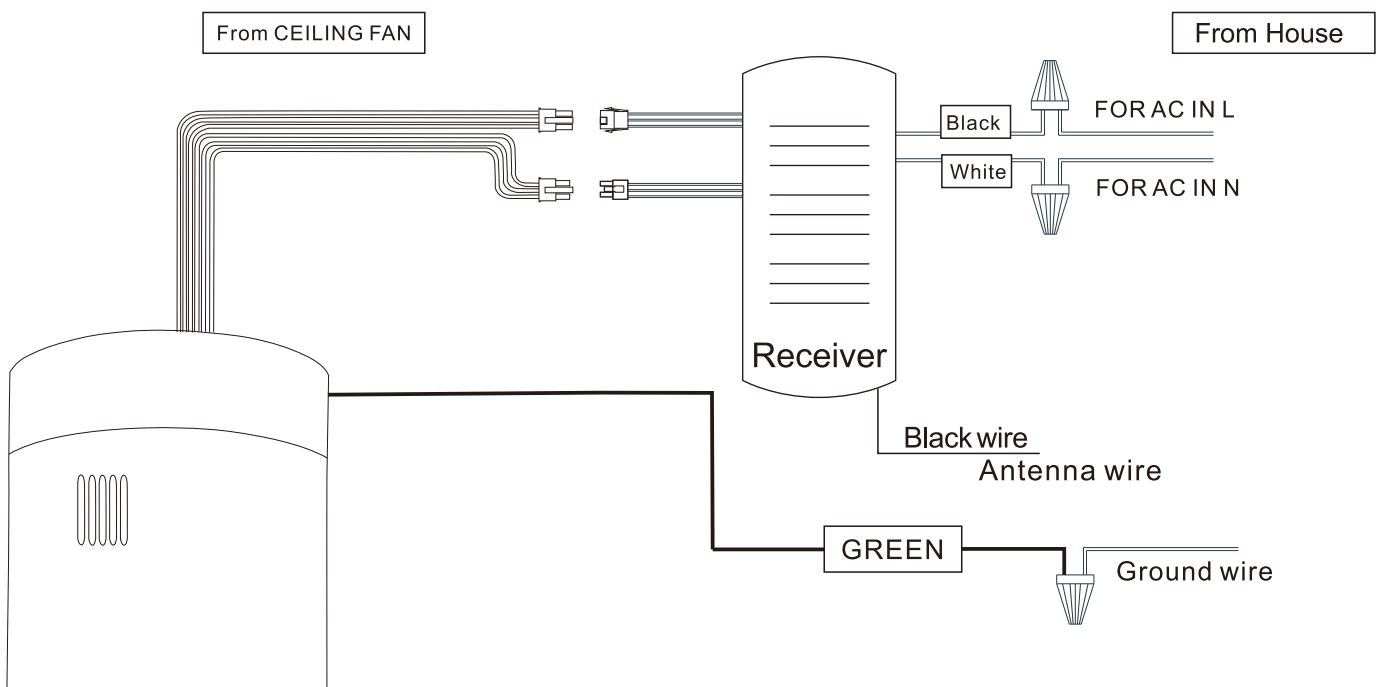
Note: the remote control must match the same code receiver

11) Remote control wiring diagram

! WARNING: Remove the rubber motor stops on the bottom of fan before installing the blades or testing the motor.

! WARNING: Turn off the electric power during installation and making wire connection.

1. Connect the wire which from ceiling fan into the receiver.
2. Connect the wire from receiver with the wire from house.




12) Operation

OPERATING YOUR FAN

Turn on the fan and check the condition of the fan operation. And make sure that you can control the fan speed and light properly by the remote control .

The appropriate speed settings for warm or cool weather depends on factors such as the room size, ceiling height and number of fans.

The slide switch  controls the direction of the blades: forward (switch down) or reverse (switch up).

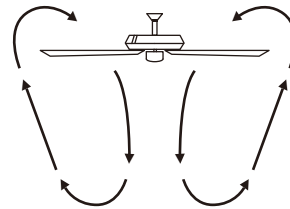


NOTE: Before reversing the direction of the blade rotation, please wait until the fan stops.

A. Warm Weather- Forward

Fan rotates anti-clockwise creating a downward airflow delivering a cooling effect.

Suitable for hot weather condition or air-conditioned condition.

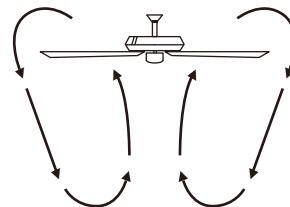


A. Warm Weather (summertime)

A. Winter Weather- Reverse

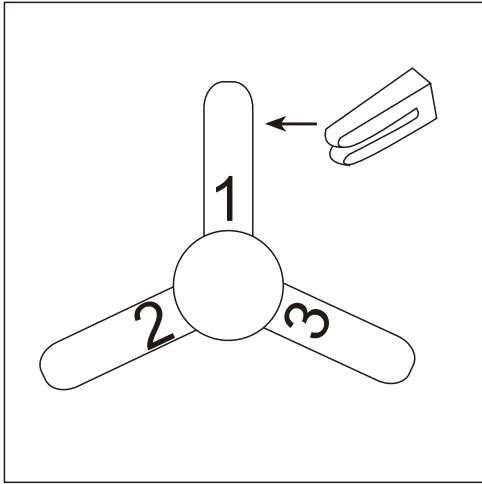
Fan rotates clockwise creating an upward airflow moving warm air off the ceiling areas. This function works best at lower fan speed.

Suitable for cold weather or air-conditioned condition.

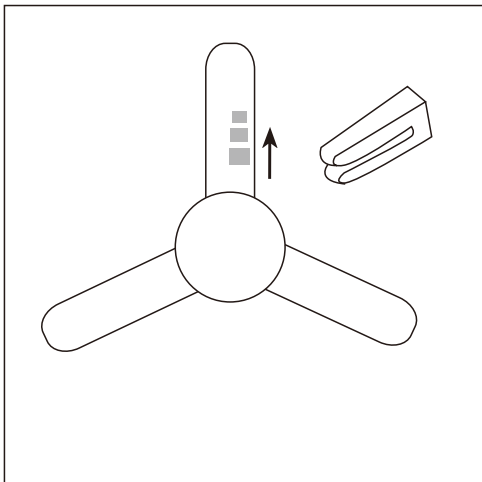


B. Cool Weather (wintertime)

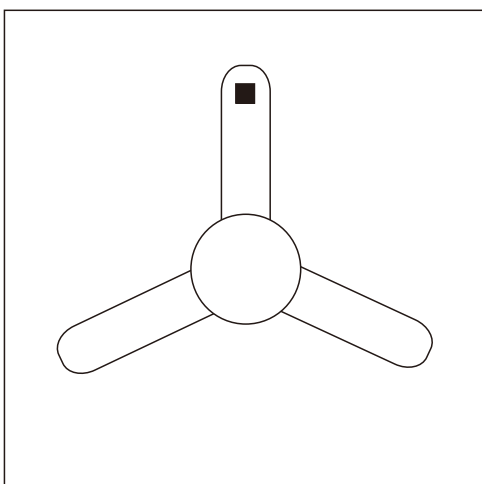
13) Fans Balance



Put the clip in the center of a blade. turn on the fan and if the shake persists, put the clip in another blade until the shake is reduced. Then this blade will need the counterweight.



Place the clip on the blade that needs the counterweight and try the best place to place it, from the center to the tip of the blade, until the wobble disappears.



Paste the counterweight on the surface of the blade which near the clip, remove the clip and test the fan. If it keep staggering, put another counterweight. if it gets worse, try another better area to place it. please try it patiently till the fan is balance.

14 Care and Cleaning



WARNING: Make sure the power is off before cleaning your fan.

- Because of the fan's natural movement, some connections may become loose. Check the support connections, brackets, and blade attachments twice a year. Make sure they are secure. It is not necessary to remove the fan from the ceiling.
- Clean your fan periodically to help maintain its new appearance over the years. Do not use water when cleaning, as this could damage the motor or the wood, or possibly cause an electrical shock. Use only a soft brush or lint-free cloth to avoid scratching the finish. The plating is sealed with a lacquer to minimize discoloration or tarnishing.
- You can apply a light coat of furniture polish to the wood for additional protection and enhanced beauty. Cover small scratches with a light application of shoe polish.
- You do not need to oil your fan. The motor has permanently-lubricated sealed ball bearings.

15 Troubleshooting

Problem	Solution
The fan will not start.	<ul style="list-style-type: none"> <input type="checkbox"/> Check the main and branch circuit fuses or breakers. <input type="checkbox"/> Check the line wire connections to the fan and switch wire connections in the switch housing.
The fan is noisy.	<ul style="list-style-type: none"> <input type="checkbox"/> Ensure all motor housing screws are snug. <input type="checkbox"/> Ensure the screws that attach the fan blade bracket to the motor hub are tight. <input type="checkbox"/> Ensure the wire nut connections are not rattling against each other or the interior wall of the switch housing. <input type="checkbox"/> Allow a 24-hour "breaking in" period. Most noises associated with a new fan disappear during this time. <input type="checkbox"/> If you are using the Ceiling Fan light kit, ensure the screws securing the glassware are tight. Check that the light bulbs are also secure. <input type="checkbox"/> Ensure the canopy is a short distance from the ceiling. It should not touch the ceiling. <input type="checkbox"/> Ensure your outlet box is secure and rubber isolator pads were used between the mounting plate and outlet box.
The fan wobbles.	<ul style="list-style-type: none"> <input type="checkbox"/> Please follow NO. 14 fan balance (page 12)

