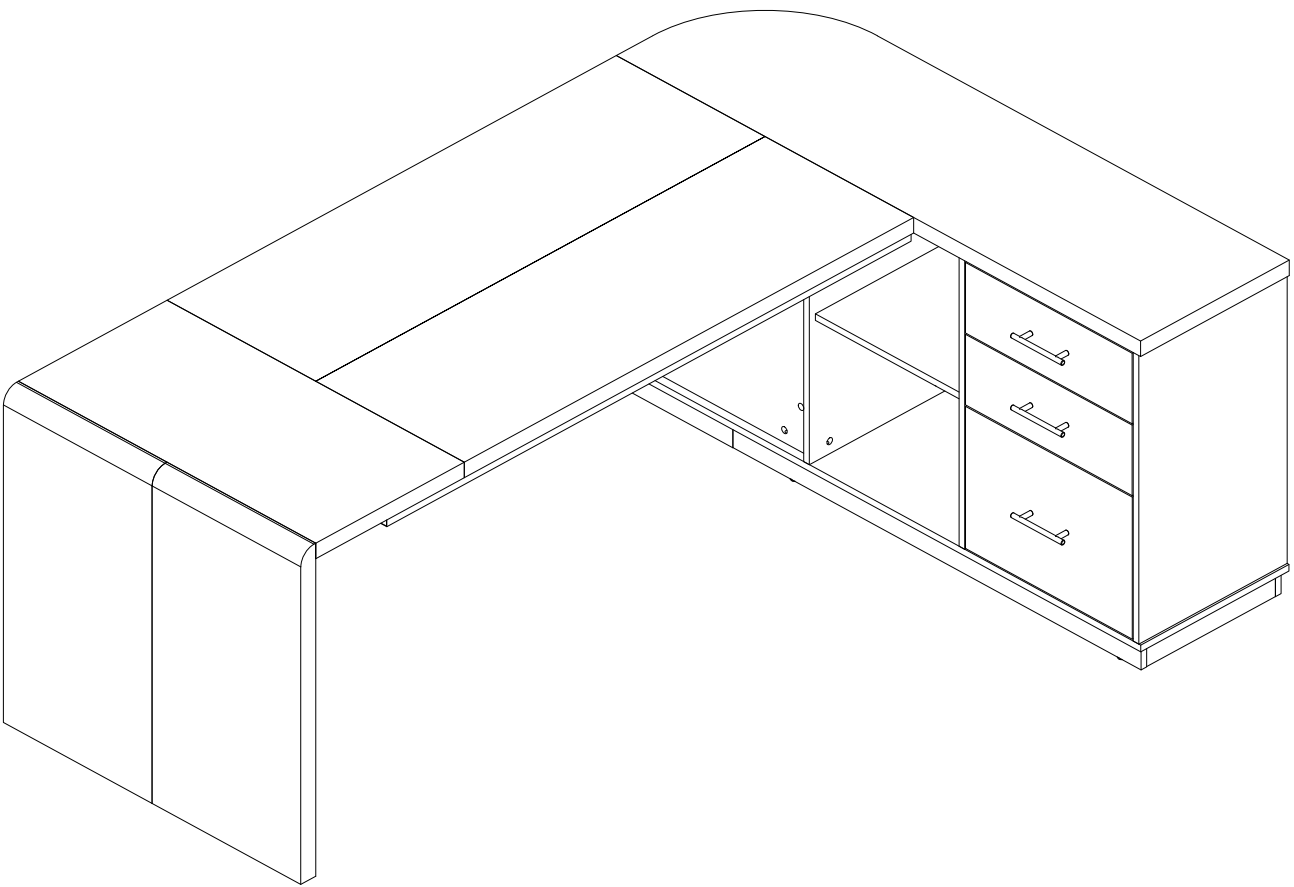


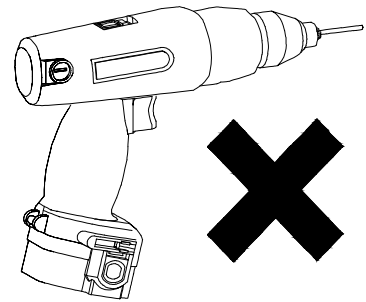
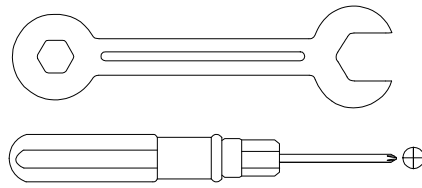
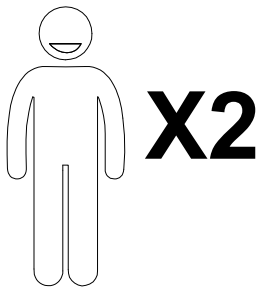
Assembly Instructions



Your satisfaction is our top priority. If you encounter any issues with this product, such as missing or damaged parts, we're here to help. Please retain the original packaging and take photos of the packaging and the product, then contact us as soon as possible.

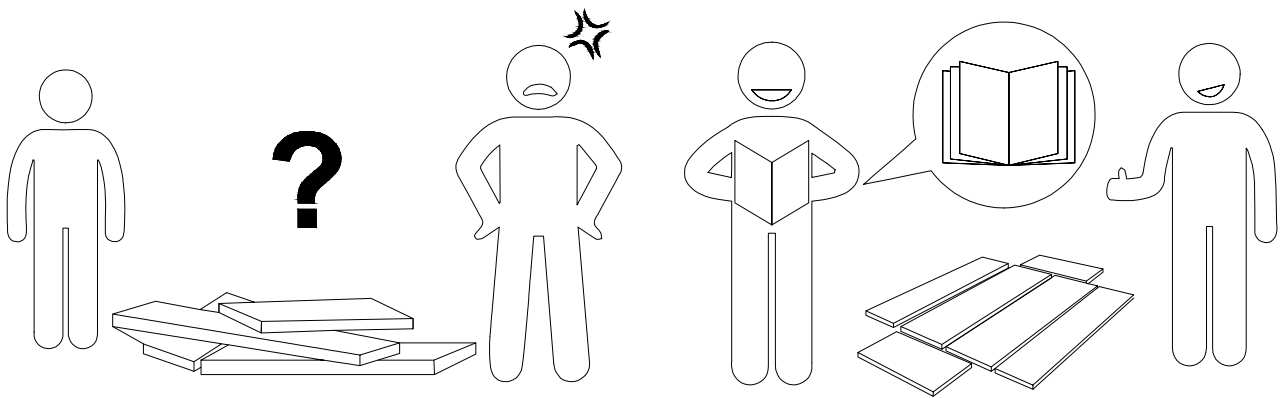
Warm Tips

1. Carefully read these instructions and keep them for future reference.
2. Check the parts list and confirm everything's there before starting assembly.
3. When assembling, put all parts on a soft, smooth surface like a carpet to avoid scratches.
4. Don't fully tighten screws until all parts are confirmed in place to avoid misalignment.



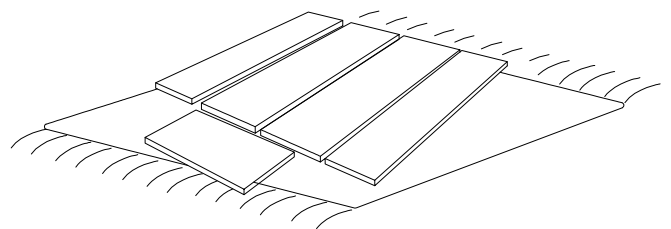
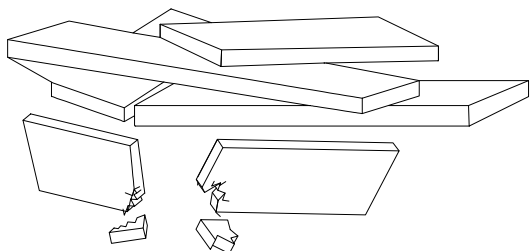
We recommend using hand tools for assembly.

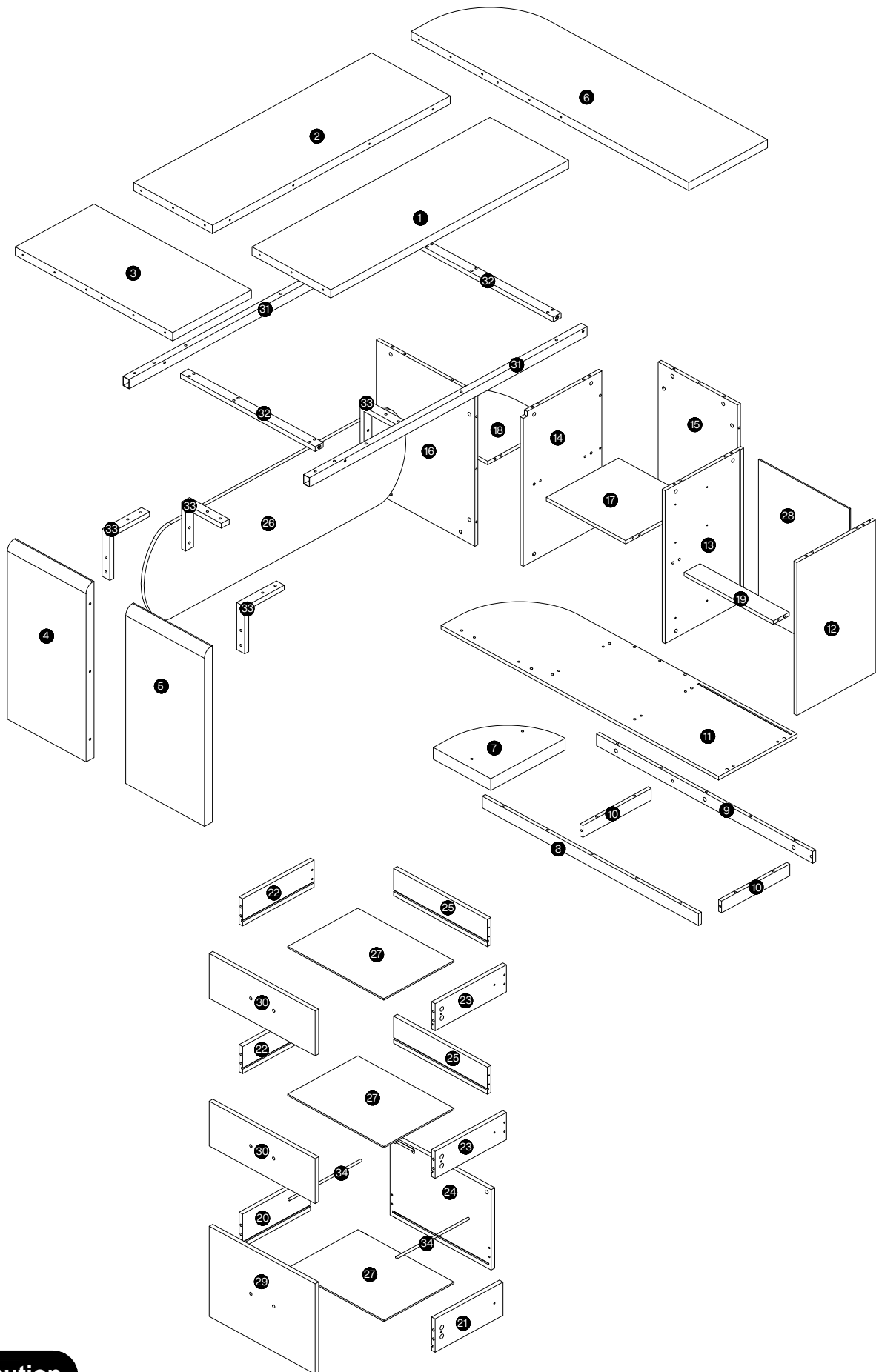
If an electric screwdriver is used, reduce power and torque to avoid damage to the product.



AVOID SCRATCHES

In order to avoid scratching, this furniture should be assembled on a soft surface, such as a rug.

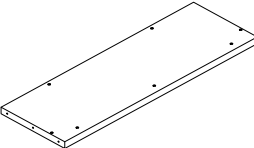
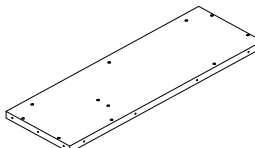
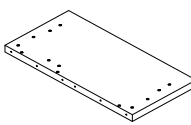
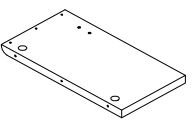
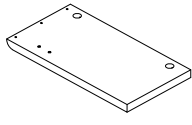
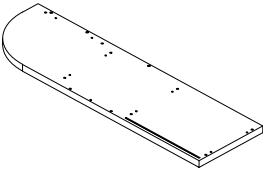
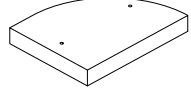
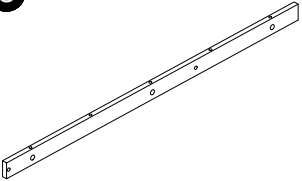
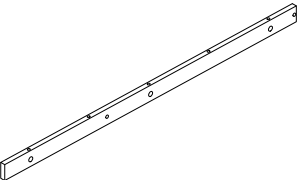
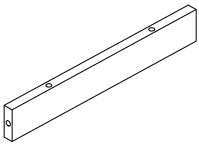
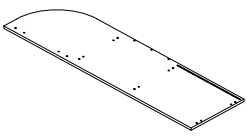
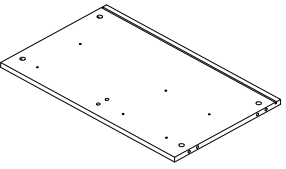
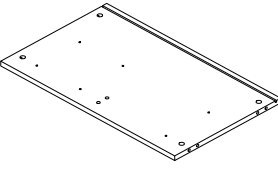
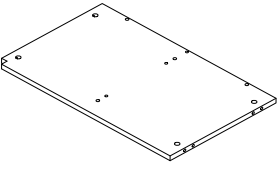
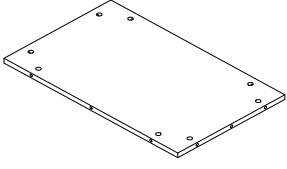
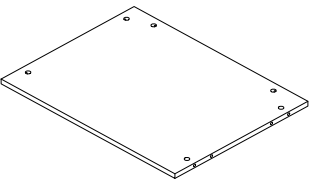
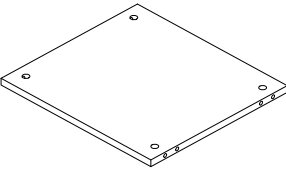
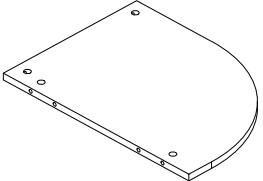
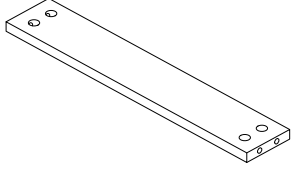
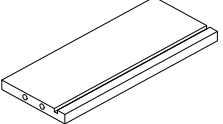
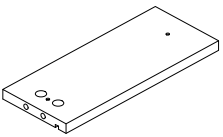
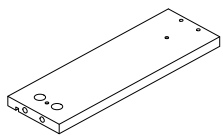
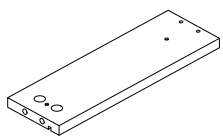
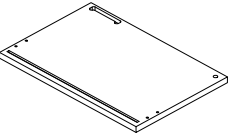




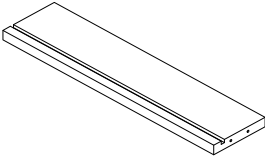
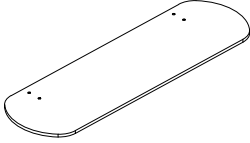
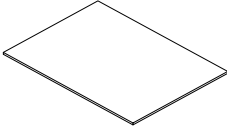
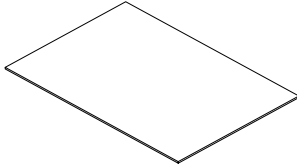
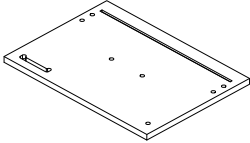
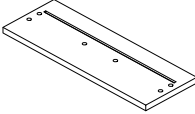
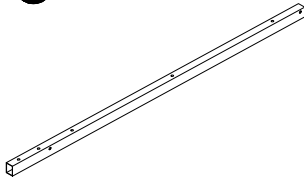
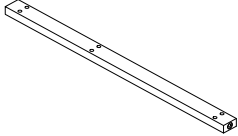
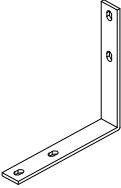
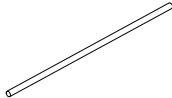
⚠ Caution

Make sure all parts are included. Most board parts are labeled or stamped on the raw edge. Contact us for a free replacement if you encounter any damaged or missing parts.

Parts List

<p>1</p>  <p>1pc</p>	<p>2</p>  <p>1pc</p>	<p>3</p>  <p>1pc</p>	<p>4</p>  <p>1pc</p>
<p>5</p>  <p>1pc</p>	<p>6</p>  <p>1pc</p>	<p>7</p>  <p>1pc</p>	<p>8</p>  <p>1pc</p>
<p>9</p>  <p>1pc</p>	<p>10</p>  <p>2 pcs</p>	<p>11</p>  <p>1pc</p>	<p>12</p>  <p>1pc</p>
<p>13</p>  <p>1pc</p>	<p>14</p>  <p>1pc</p>	<p>15</p>  <p>1pc</p>	<p>16</p>  <p>1pc</p>
<p>17</p>  <p>1pc</p>	<p>18</p>  <p>1pc</p>	<p>19</p>  <p>1pc</p>	<p>20</p>  <p>1pc</p>
<p>21</p>  <p>1pc</p>	<p>22</p>  <p>2 pcs</p>	<p>23</p>  <p>2 pcs</p>	<p>24</p>  <p>1pc</p>

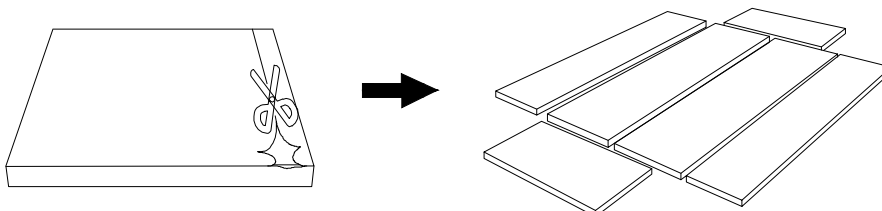
Parts List

 <p>25</p> <p>2 pcs</p>	 <p>26</p> <p>1 pc</p>	 <p>27</p> <p>3 pcs</p>	 <p>28</p> <p>1 pc</p>
 <p>29</p> <p>1 pc</p>	 <p>30</p> <p>2 pcs</p>	 <p>31</p> <p>2 pcs</p>	 <p>32</p> <p>2 pcs</p>
 <p>33</p> <p>4 pcs</p>	 <p>34</p> <p>2 pcs</p>		

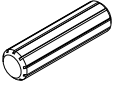
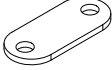
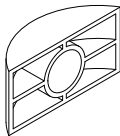
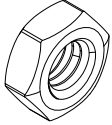
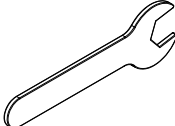
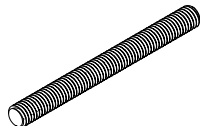
Before installation, please check if you have received the A and B packages, and check if the parts are complete.

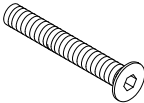
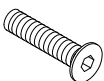
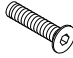
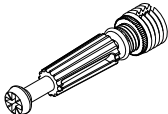
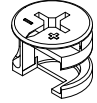
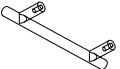
HOGA-HL0197-A HOGA-HL0327-A			
1	1 pc	2	1 pc
3	1 pc	4	1 pc
5	1 pc	20	1 pc
21	1 pc	22	2 pcs
23	2 pcs	24	1 pc
25	2 pcs	27	3 pcs
29	1 pc	30	2 pcs
33	4 pcs	34	2 pcs

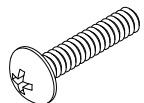
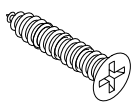
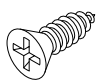
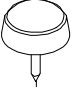
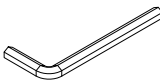
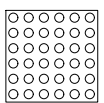
HOGA-HL0197-B HOGA-HL0327-B					
6	1 pc	7	1 pc	8	1 pc
9	1 pc	10	2 pcs	11	1 pc
12	1 pc	13	1 pc	14	1 pc
15	1 pc	16	1 pc	17	1 pc
18	1 pc	19	1 pc	26	1 pc
28	1 pc	31	2 pcs	32	2 pcs

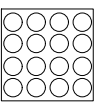
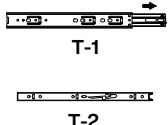
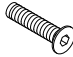



Hardware List

A	B	C	D	E	F
					
Ø8x30mm		M8	M8	M14	M8x90mm
56+1 pcs	2 pcs	4 pcs	4 pcs	1 pc	2 pcs

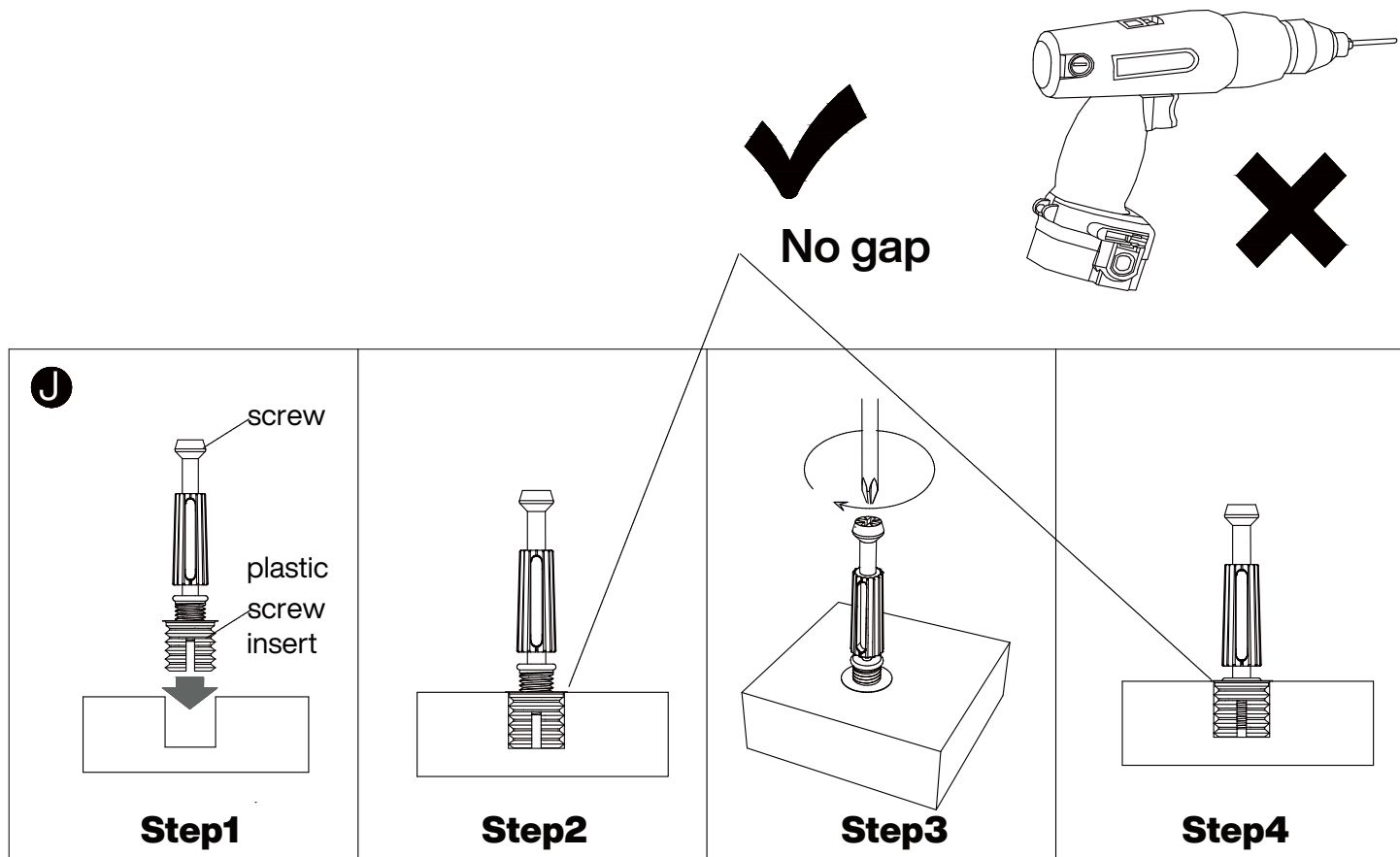
G	H	I	J	K	L
					
Ø6x45mm	Ø6x35mm	Ø6x16mm	Ø6x40mm	Ø15x12mm	M6x140mm
16 pcs	12 pcs	8 pcs	64+1 pcs	64+1 pcs	3 pcs

M	N	O	P	Q	R
					
Ø4x25mm	Ø3.5x35mm	Ø3.5x14mm		M3	
6 pcs	12 pcs	24+12 pcs	7 pcs	1 pc	60 pcs

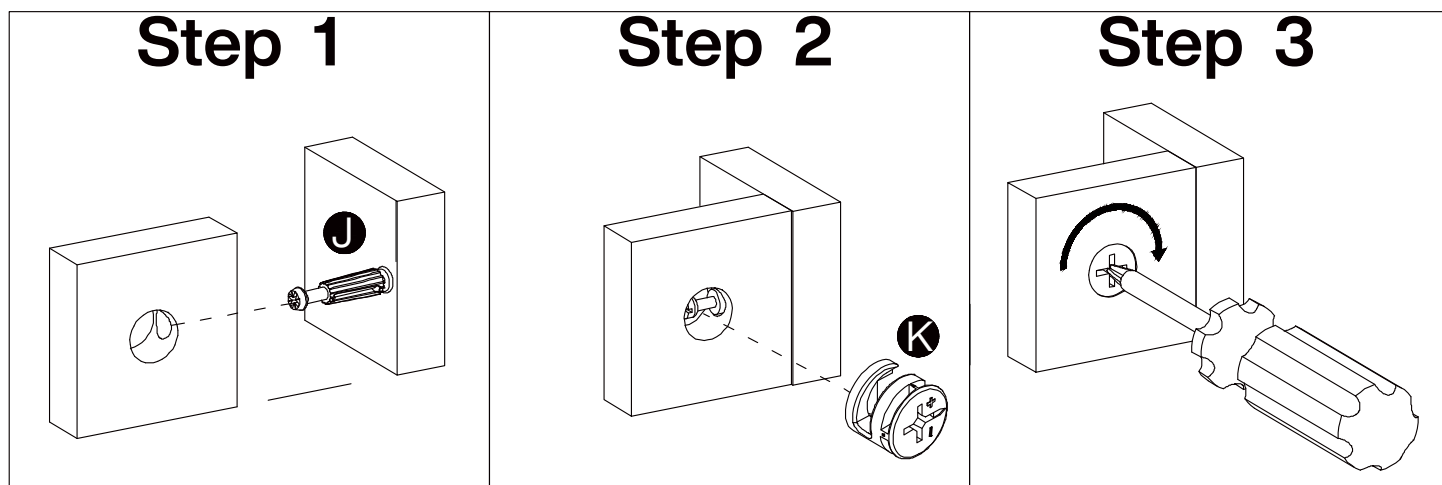
S	T	U	V		
					
Ø40	T-1 L300mm	Ø6x20mm			
4 pcs	6 pcs	12 pcs	1 pc		

Installation of Cams and Pins

Step 1-2: Align the plastic part with the mounting hole and press it in. If you can't press it in, loosen the screw counter clockwise or completely remove the screw from the plastic part and try again.
Step 3-4: After pressing the plastic part into place, use a screwdriver to tighten the screw clockwise.



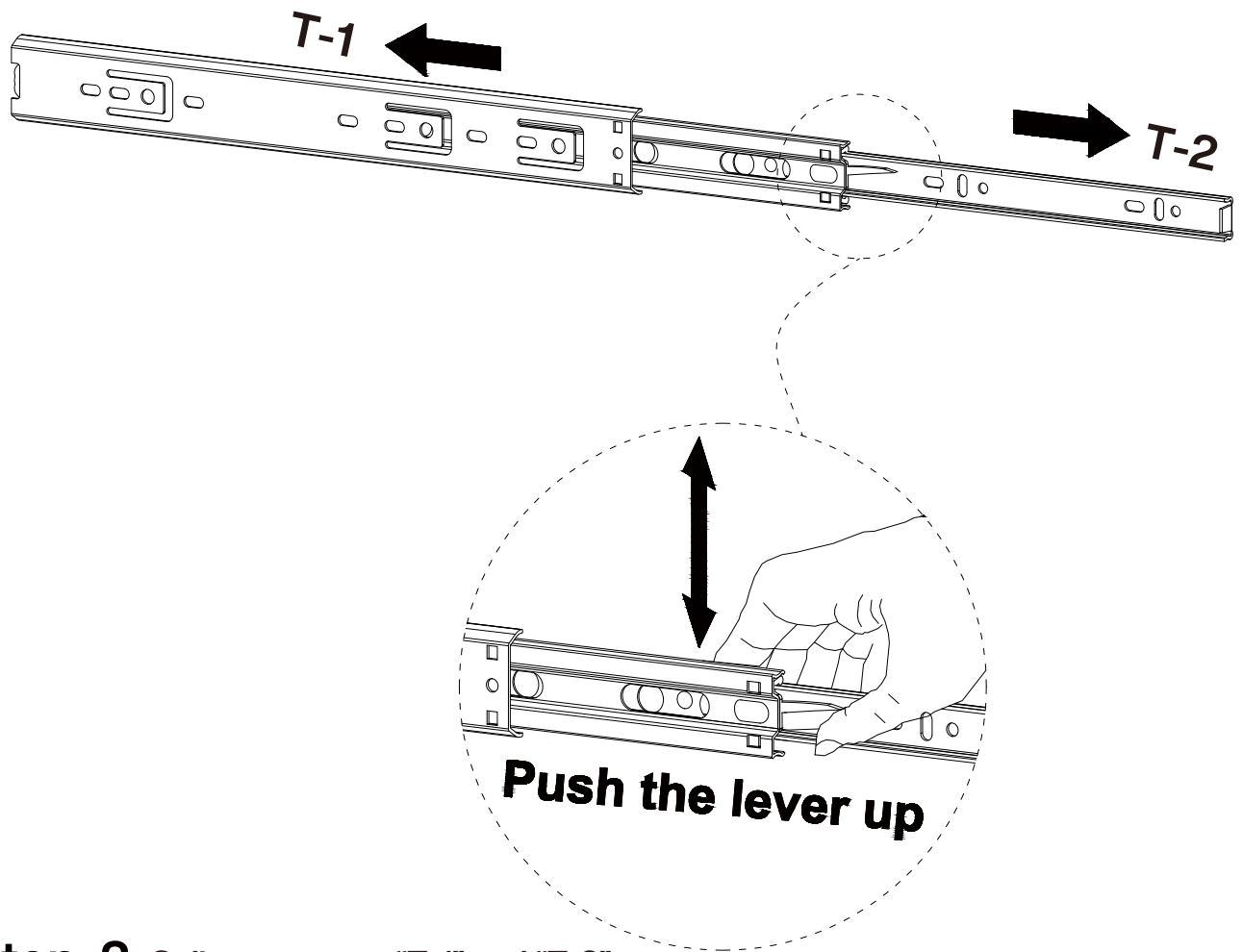
Screw the pin into the hole. Set the cams correctly by aligning the head of the cams with the lock pins. Lock the cam by turning the cam head with a screwdriver until it is tightened. Please do not use an electric screwdriver to assemble the unit.



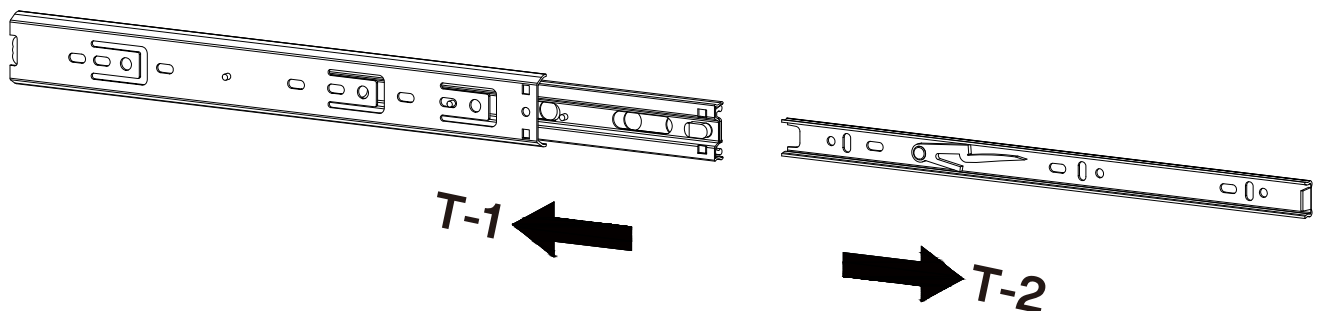
Please split component "T" into "T-1" and "T-2" before assembling the slide and then proceed to the next step of assembly

Step 1

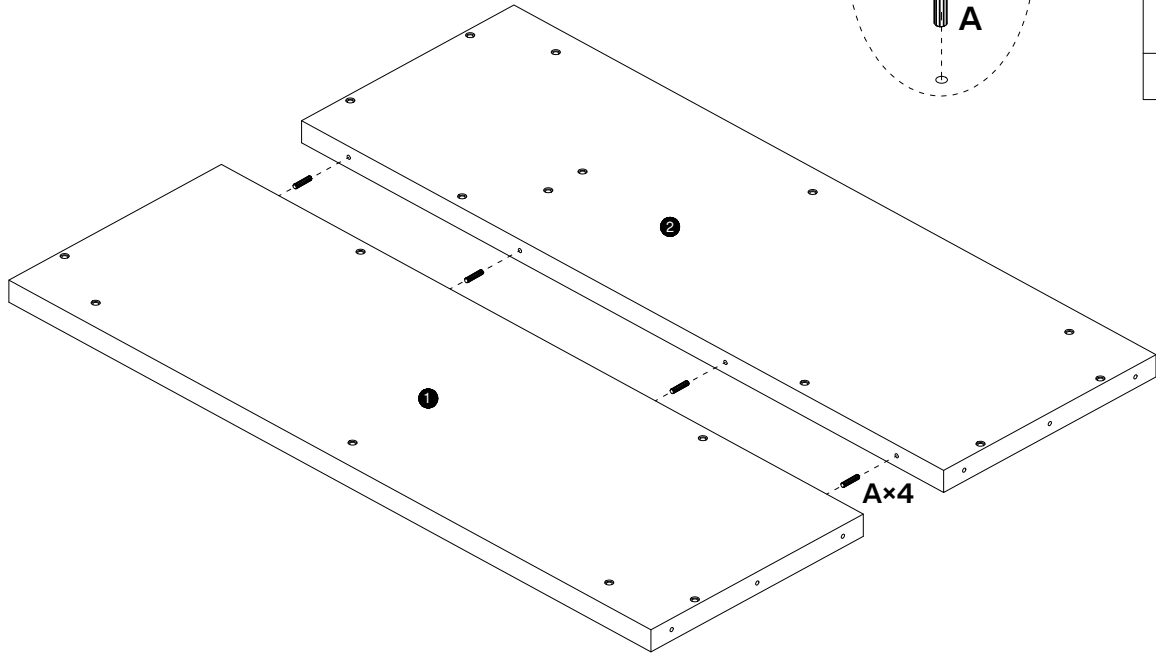
Pull apart component "T" to each side, and then gently push up the lever of component "T-2"

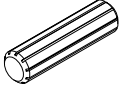


Step 2 Split component "T-1" and "T-2"

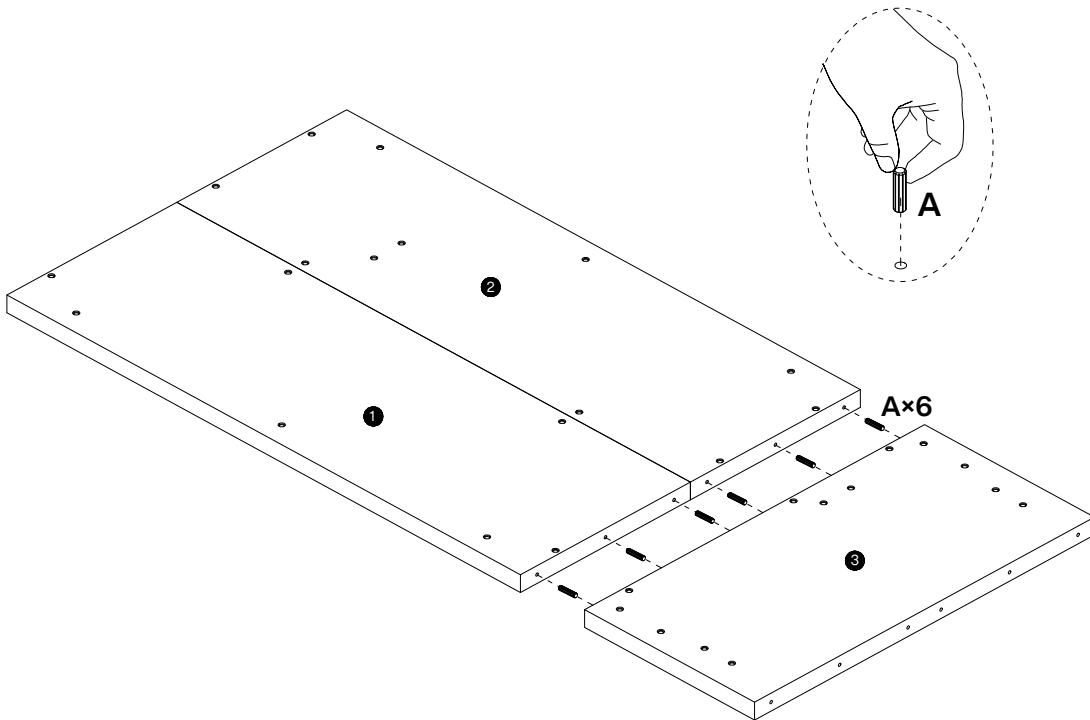


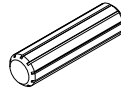
1



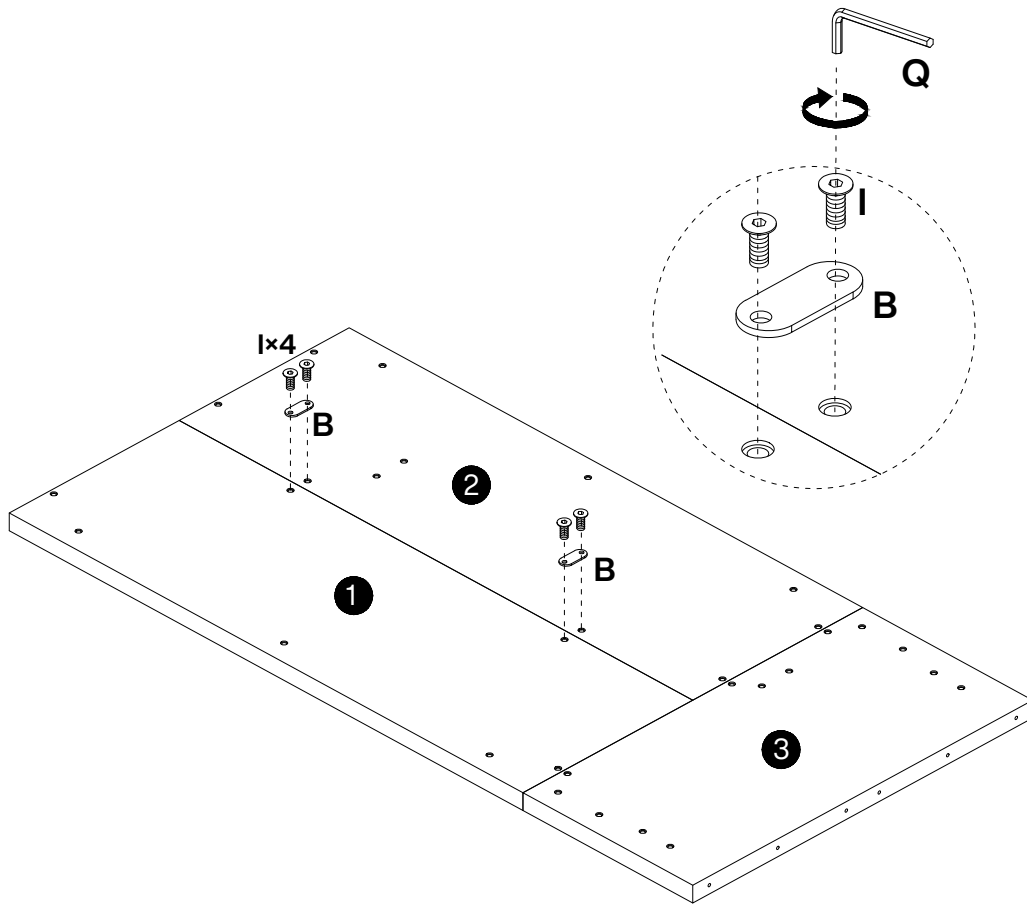
A

Ø8×30mm
4 pcs

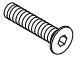
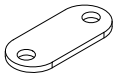
2



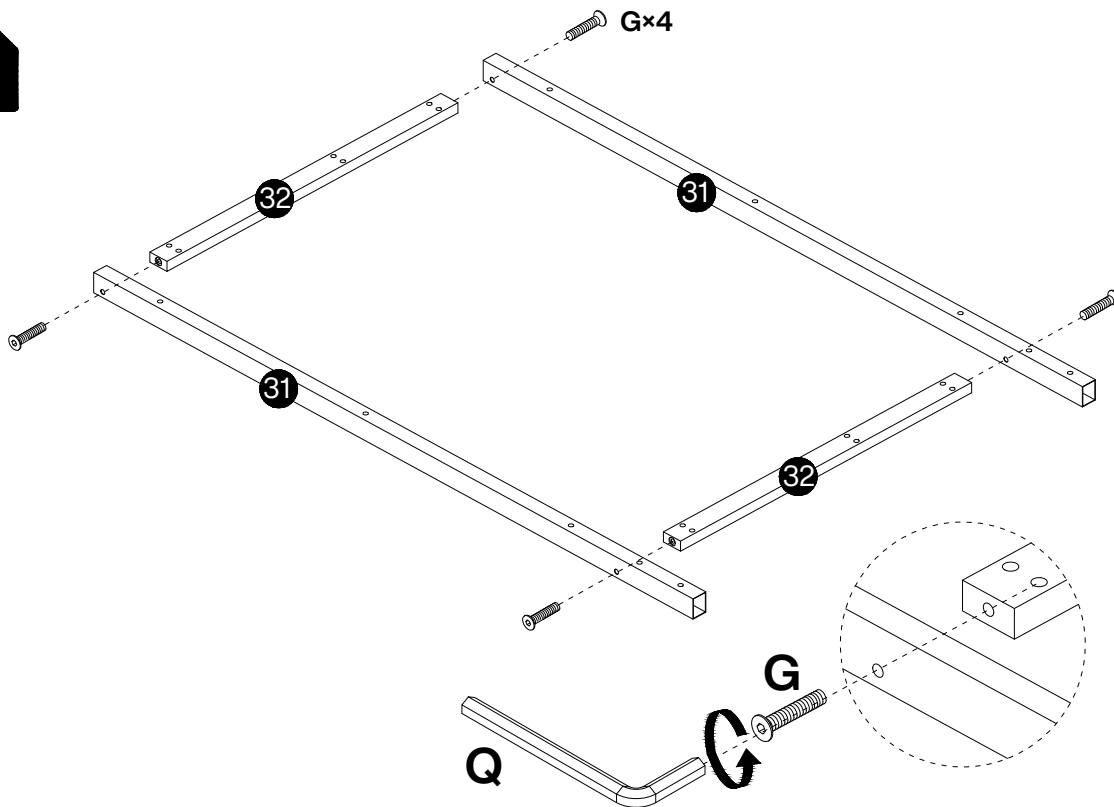
A

Ø8×30mm
6 pcs

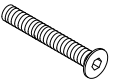
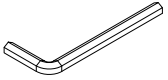
3



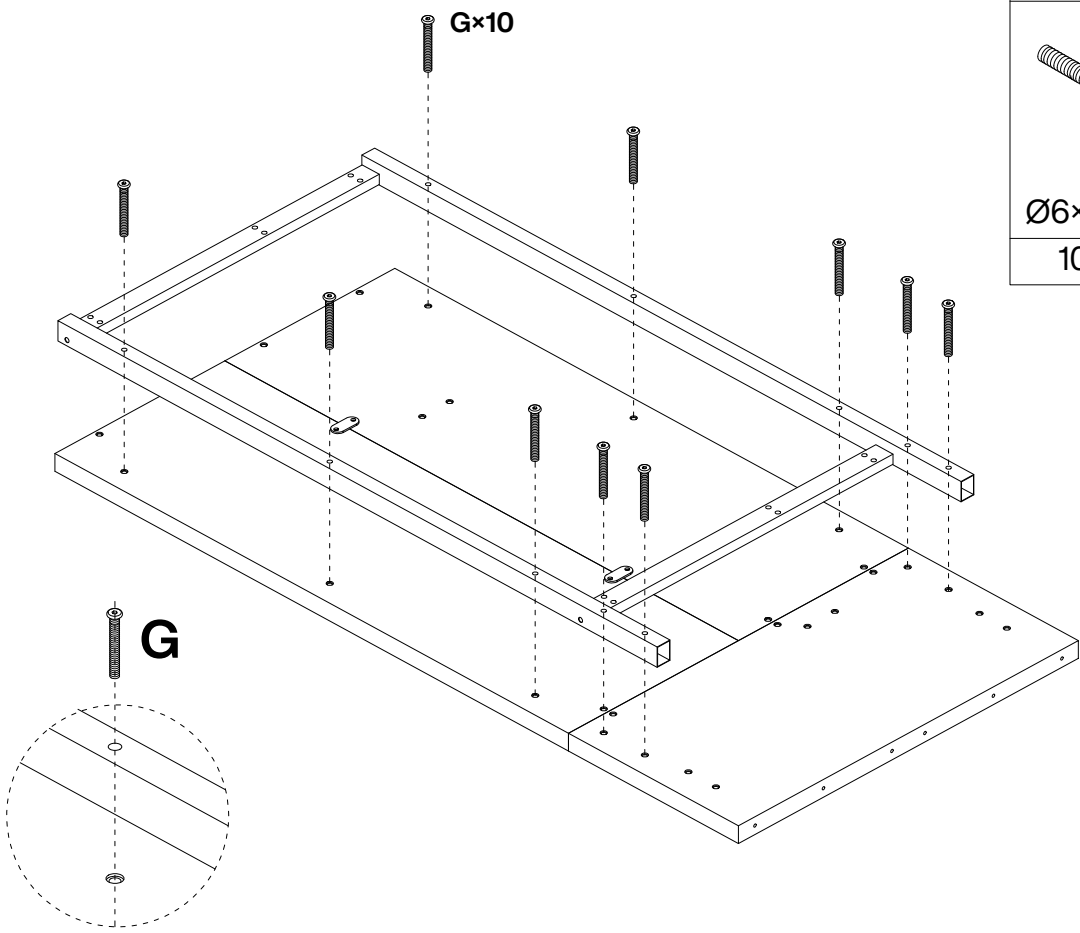
I

Ø6×16mm
4 pcs
B

2 pcs

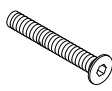
4



G

Ø6×45mm
4 pcs
Q

M3
1 pc

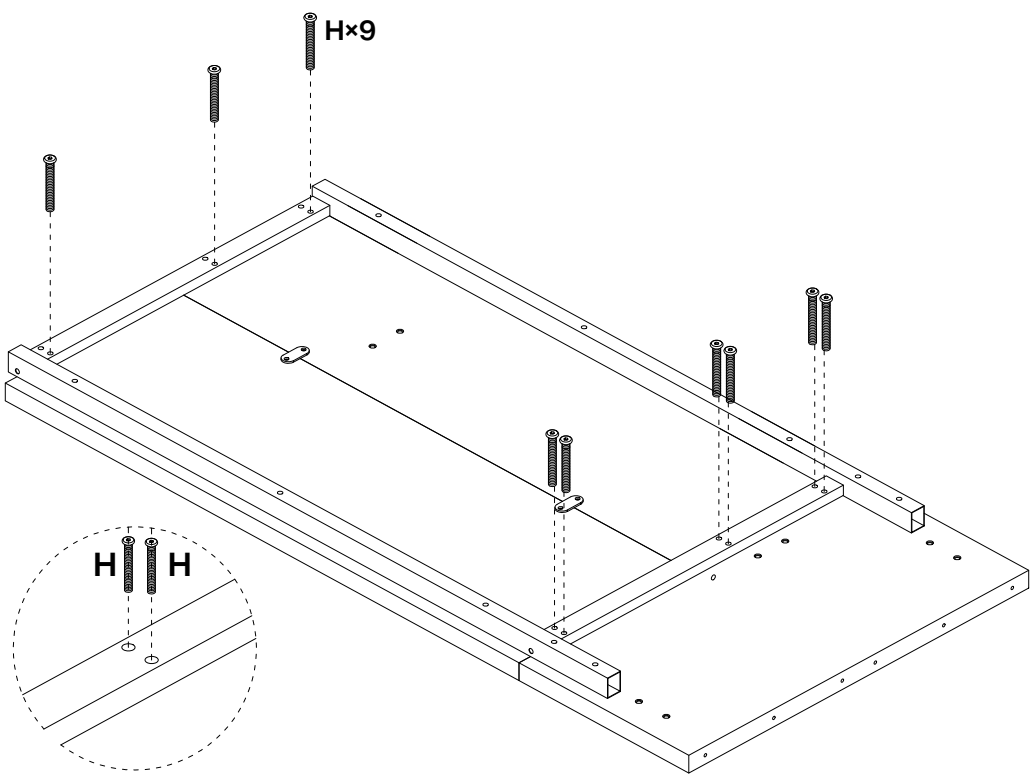
5




G

Ø6×45mm
10 pcs

⚠ Screw M6×45mm

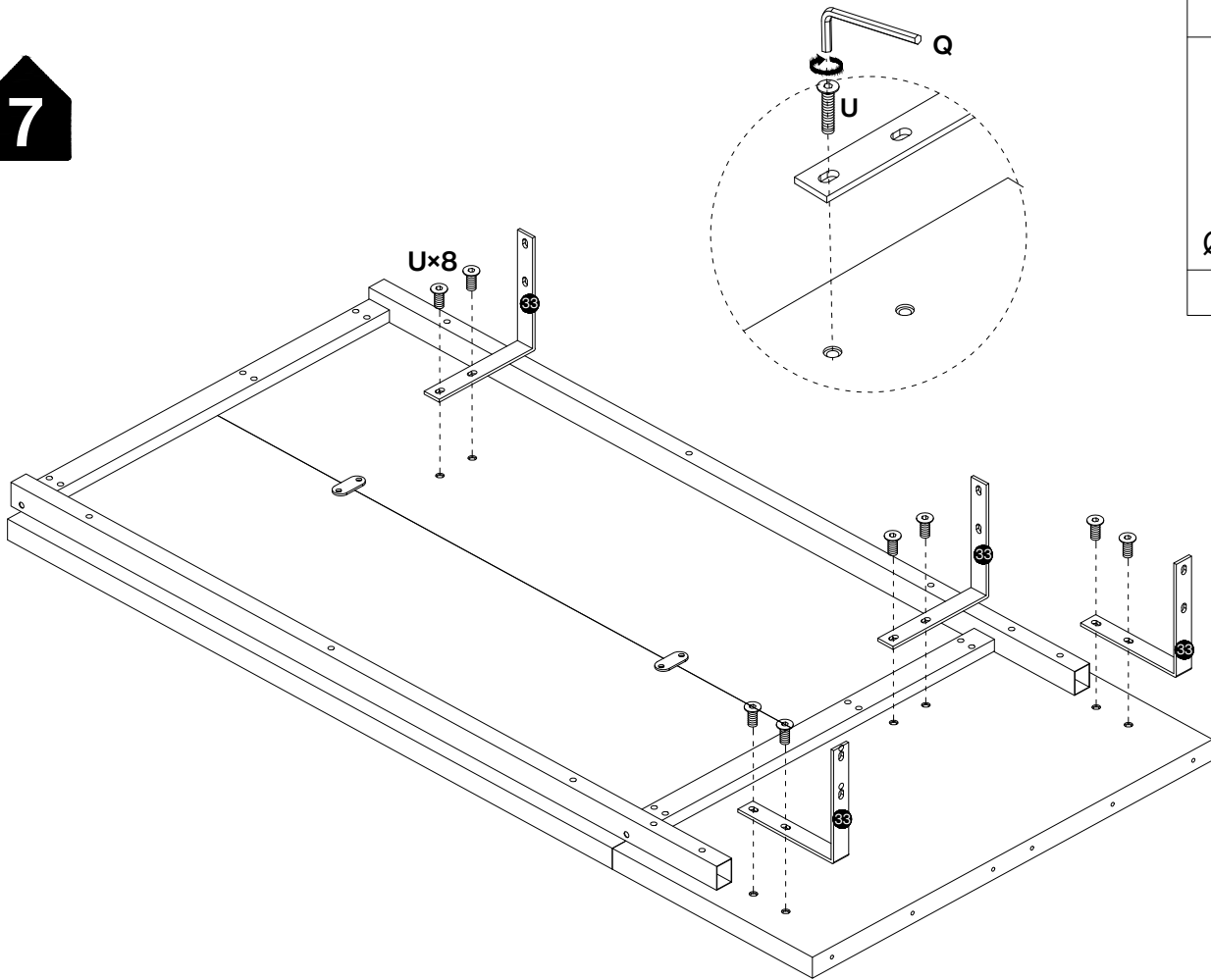
6




H

Ø6×35mm
9 pcs

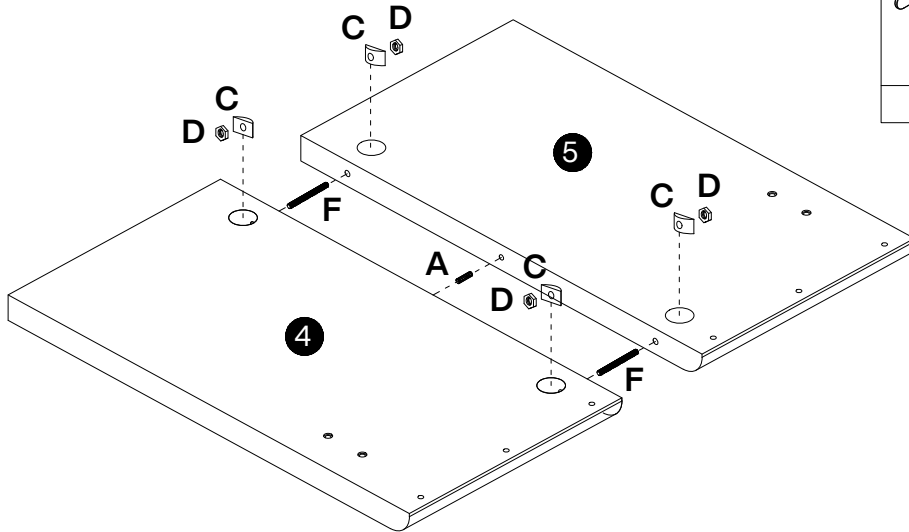
⚠ Screw M6×35mm





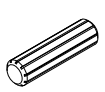
7

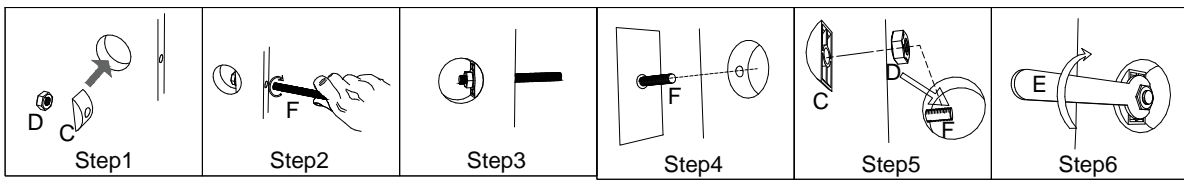


U

Ø6×20mm
8 pcs

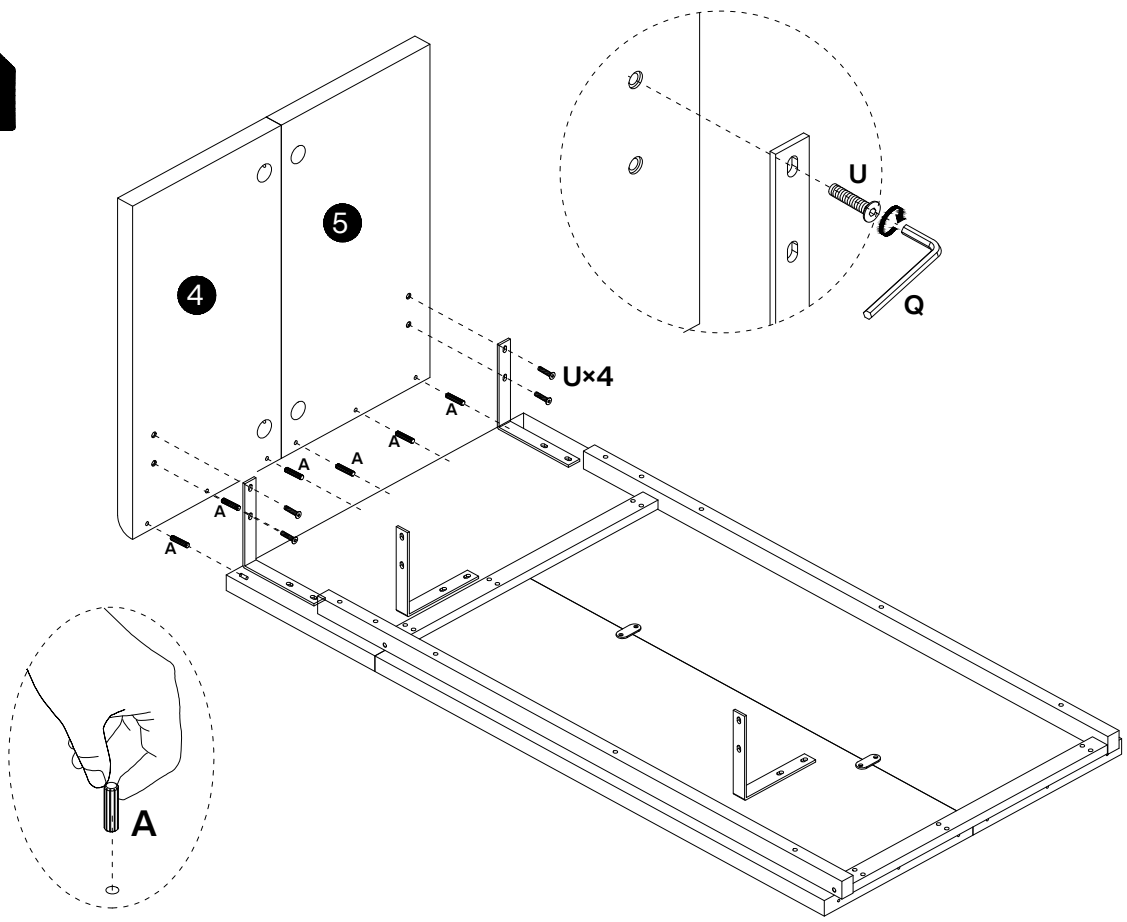
8

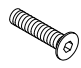
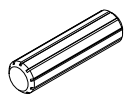


E	C	F
		
M14	M8	Ø8×90mm
1 pc	4 pcs	2 pcs
	D	A
		
	M8	Ø8×30mm
	4 pcs	1 pcs

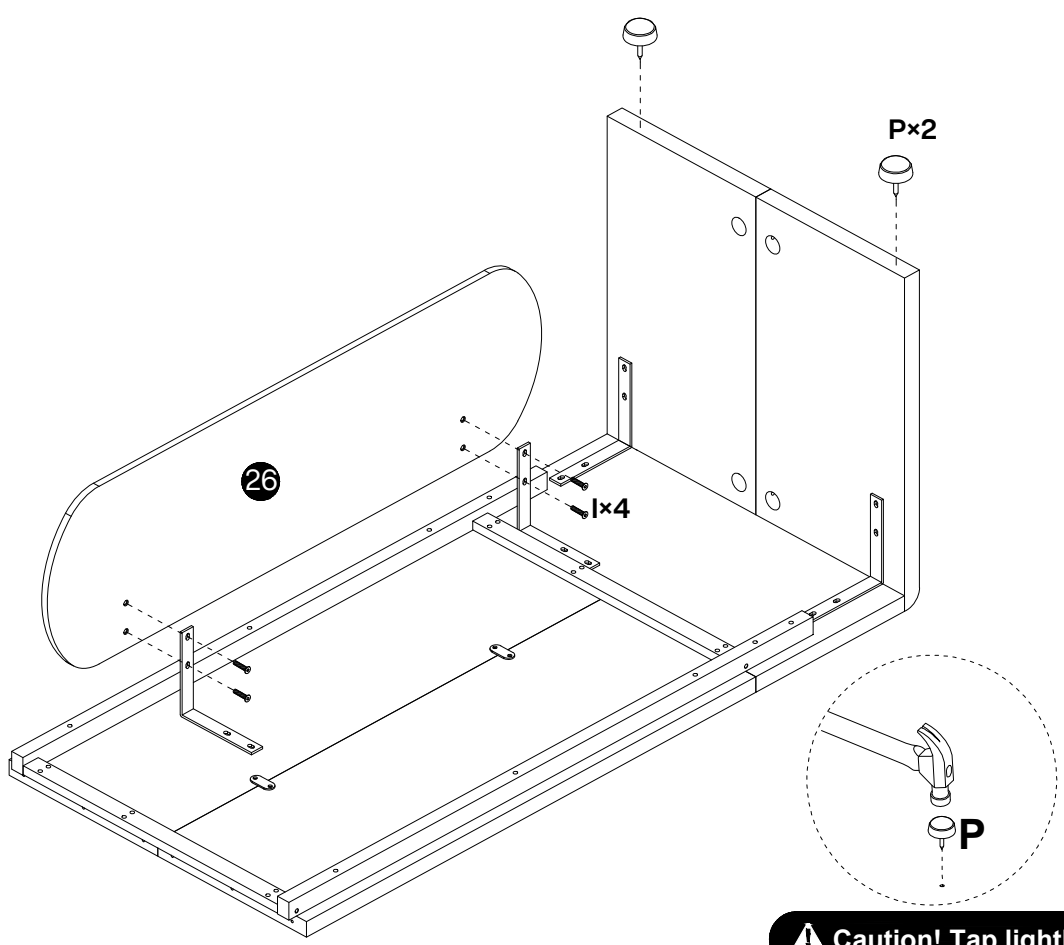



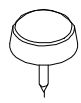
9



U

Ø6×20mm
4 pcs
A

Ø8×30mm
6 pcs

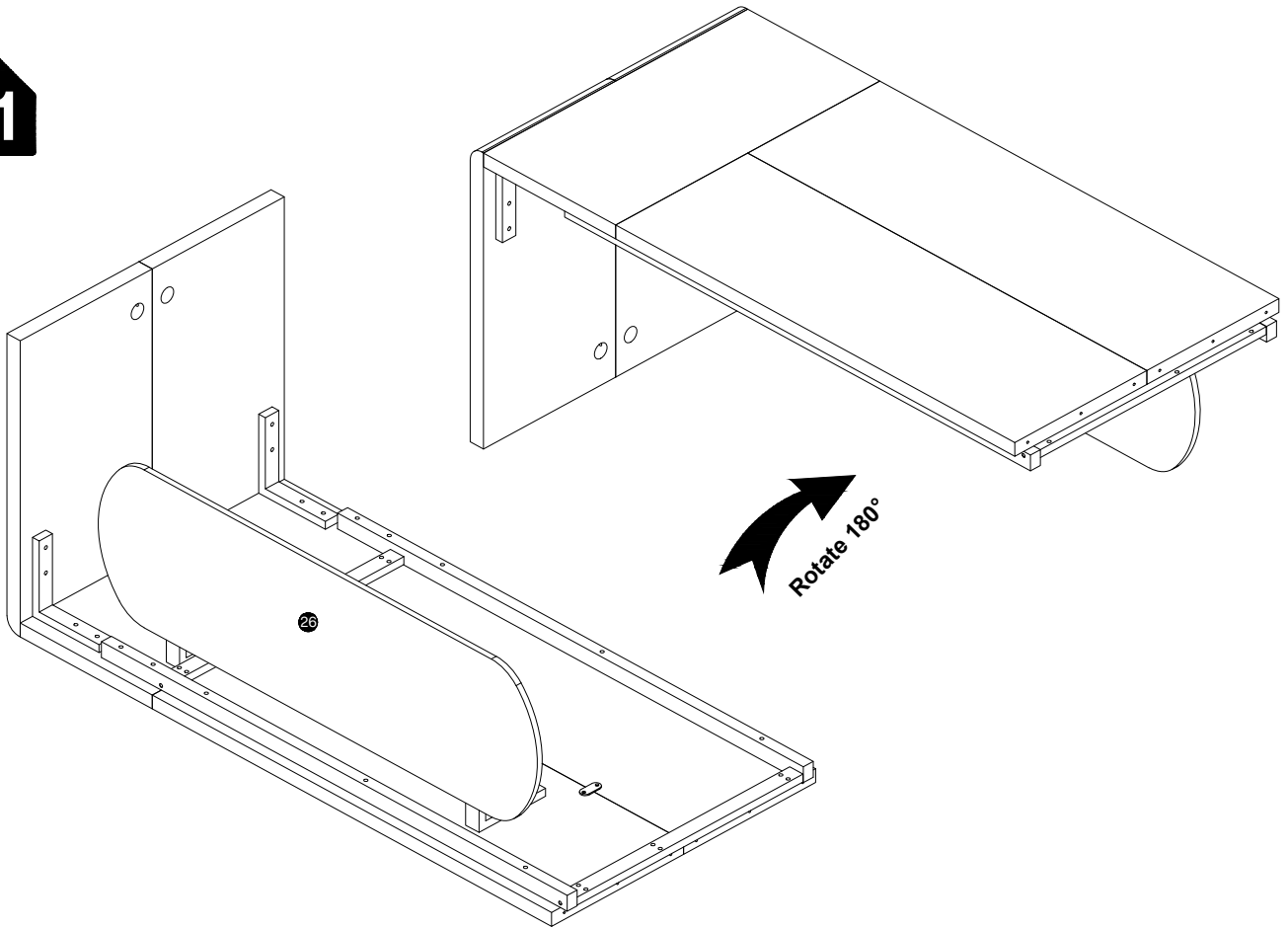
10



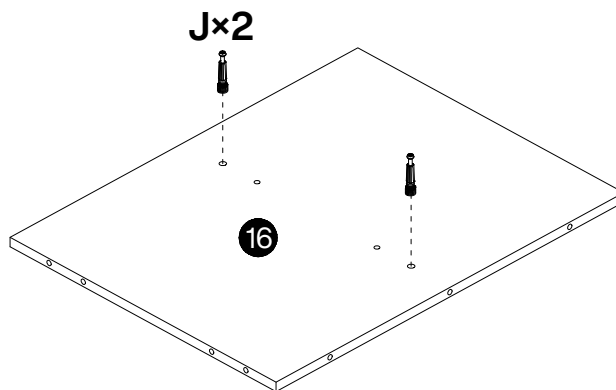
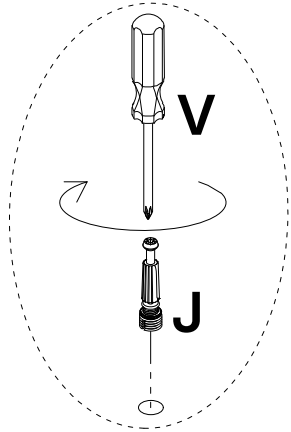
I

Ø6×16mm
4 pcs
P

2 pcs

⚠ Caution! Tap lightly

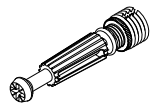
11



12

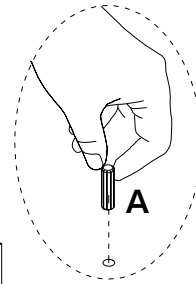
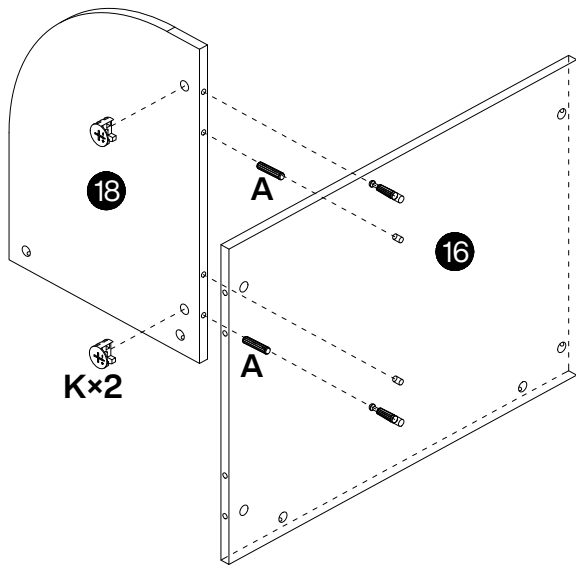
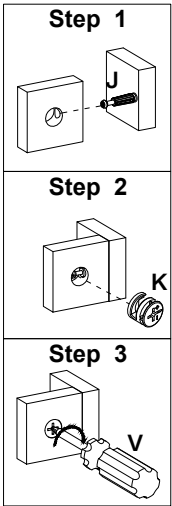


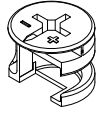
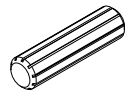
J



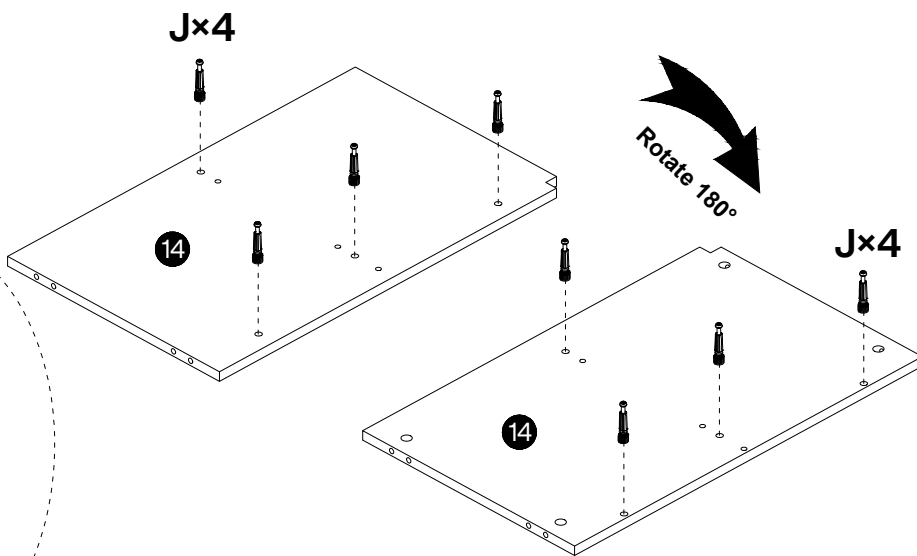
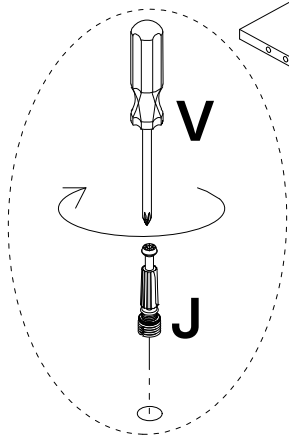
Ø6×40mm
2 pcs

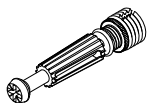
13



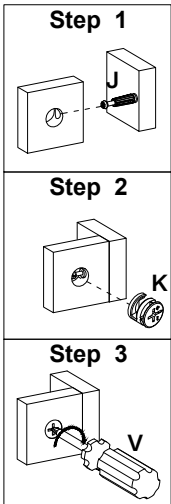
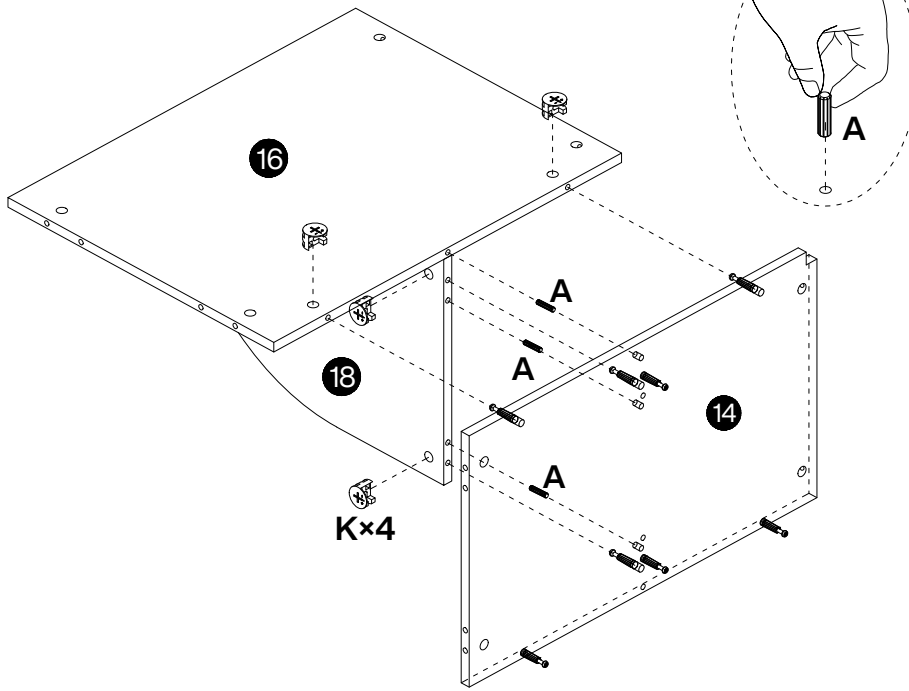
K

Ø15×12mm
2 pcs
A

Ø8×30mm
2 pcs

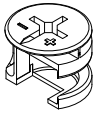
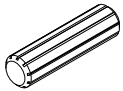
14



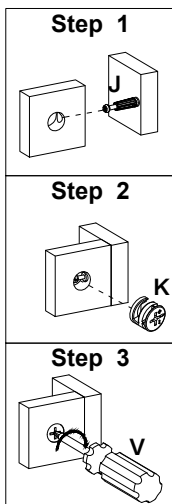
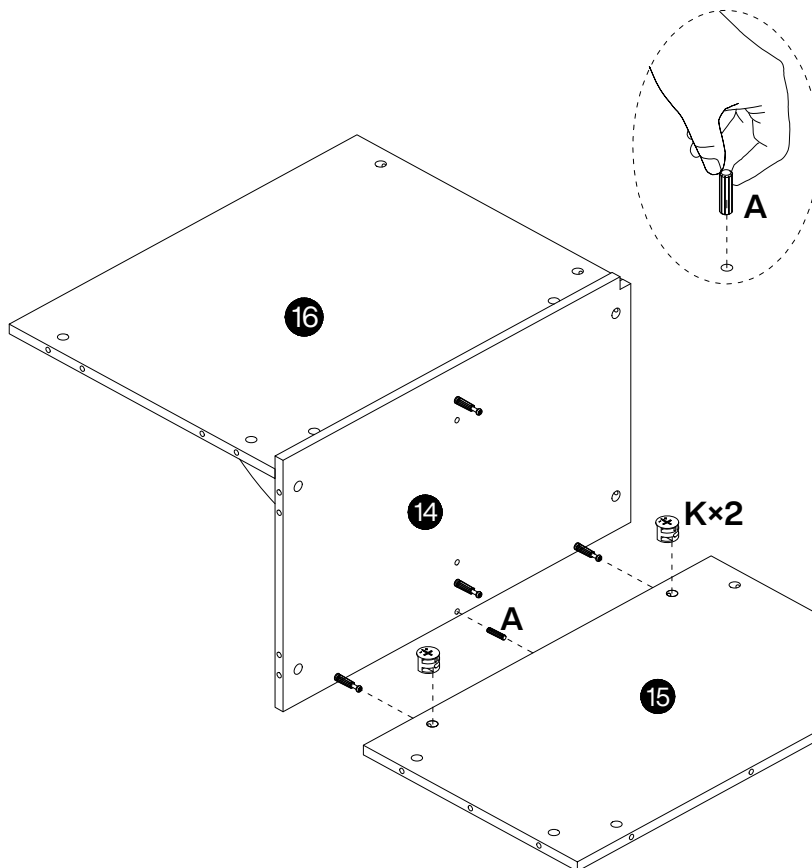
J

Ø6×40mm
8 pcs

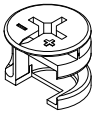
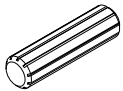
15



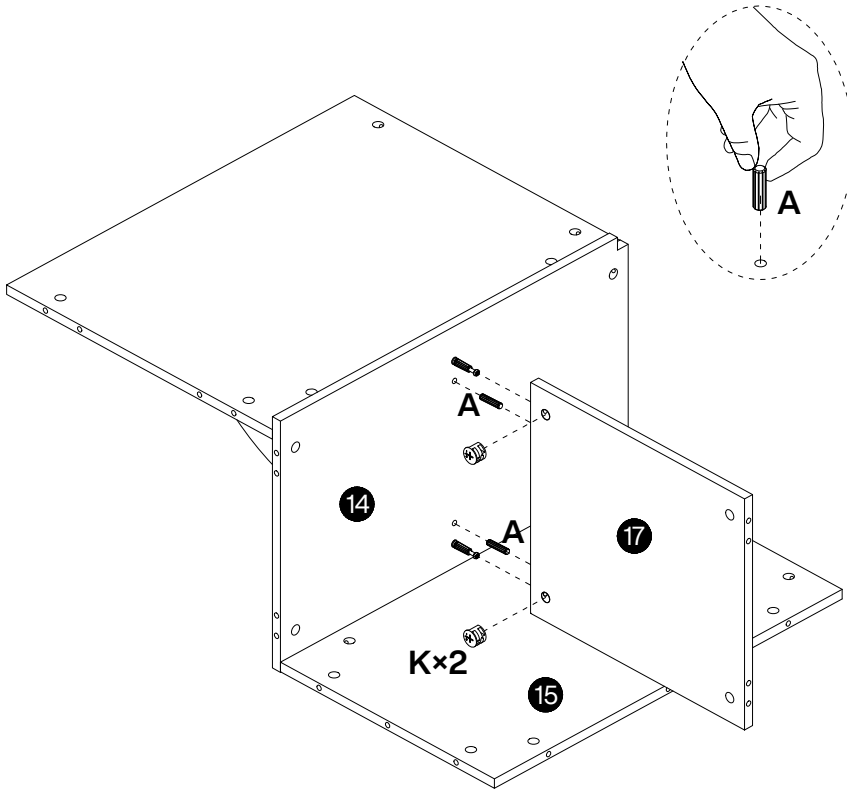
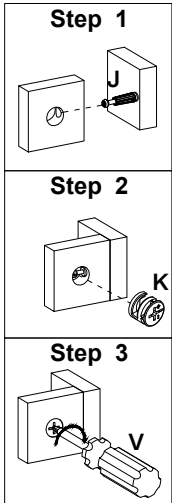
K

Ø15×12mm
4 pcs
A

Ø8×30mm
3 pcs

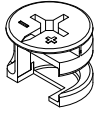
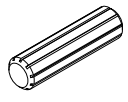
16



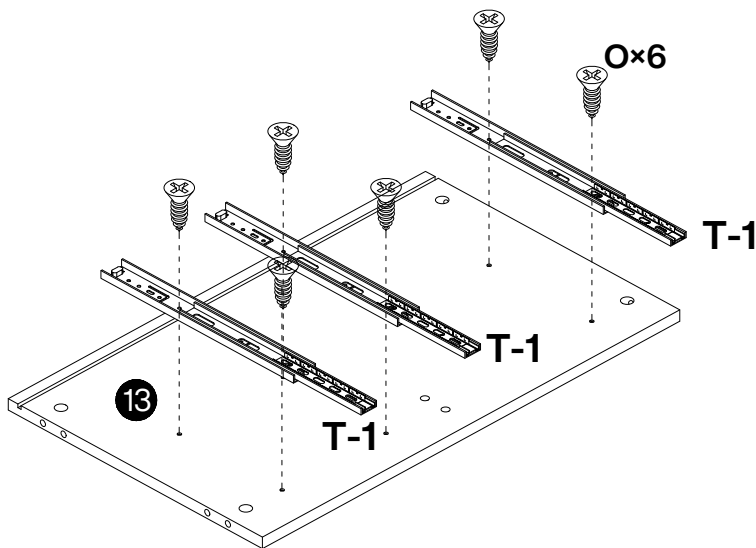
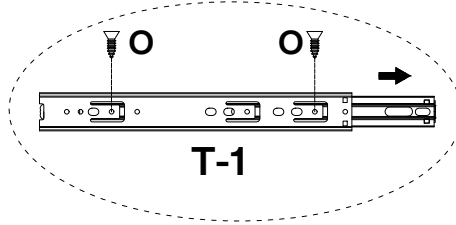
K

Ø15×12mm
2 pcs
A

Ø8×30mm
1 pcs

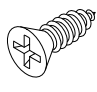

17



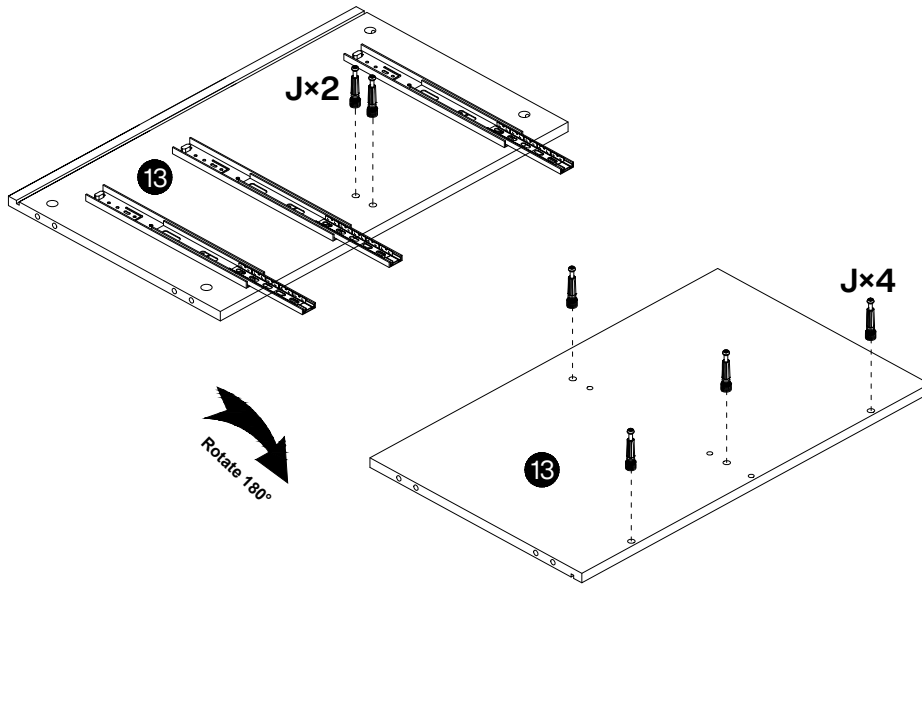
K

Ø15×12mm
2 pcs
A

Ø8×30mm
2 pcs

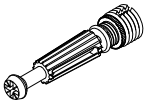
18



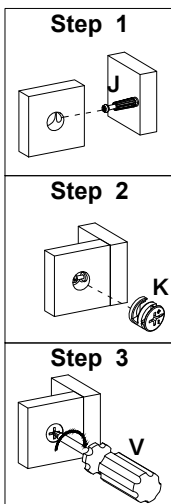
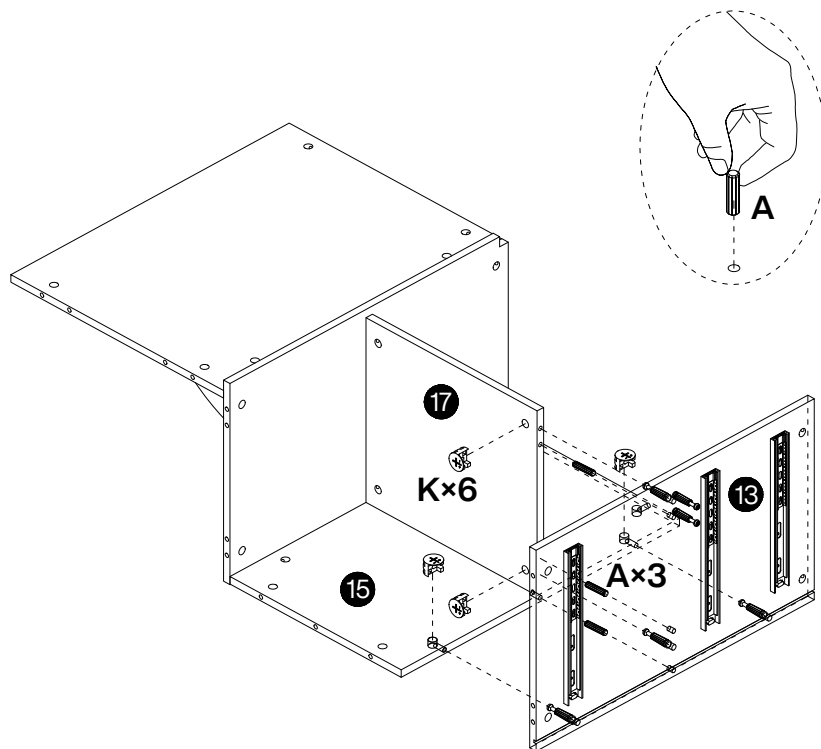
O

Ø3.5×14mm
6 pcs
T-1

L300mm
3 pcs

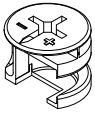
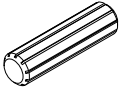
19



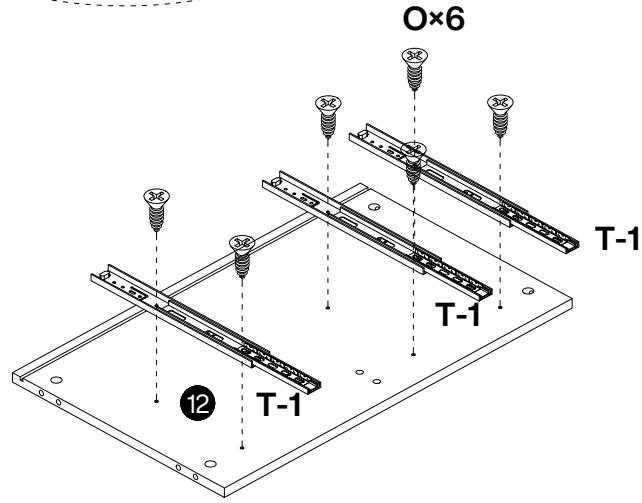
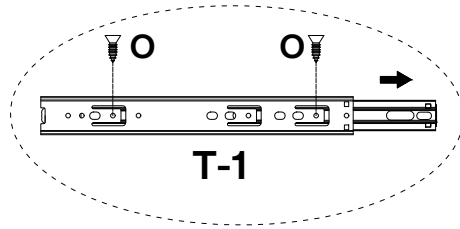
J

Ø6×40mm
6 pcs

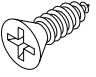

20



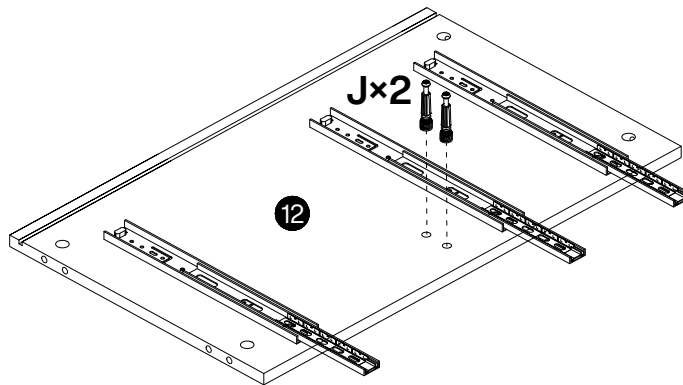
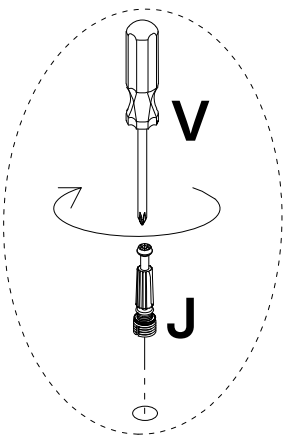
K

Ø15×12mm
4 pcs
A

Ø8×30mm
3 pcs

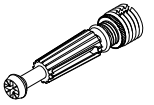
21



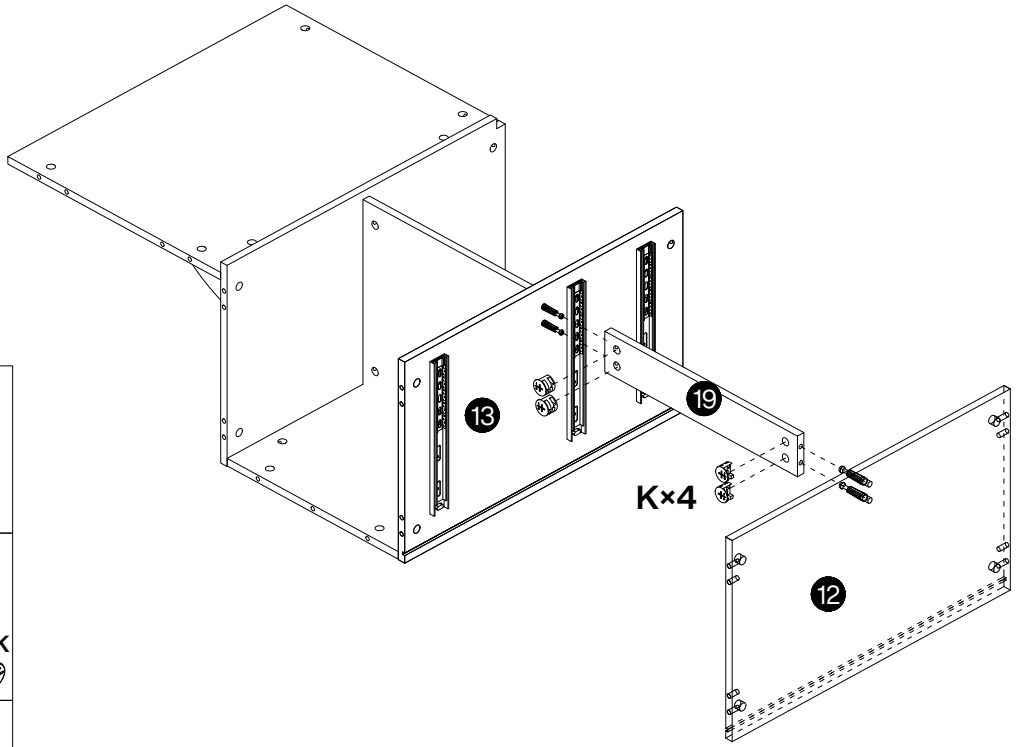
O

Ø3.5×14mm
6 pcs
T-1

L300mm
3 pcs

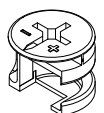
22



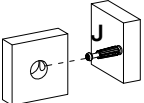
J

Ø6×40mm
2 pcs

23

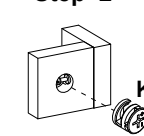


K

Ø15×12mm
4 pcs

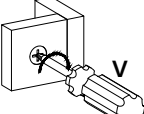
Step 1



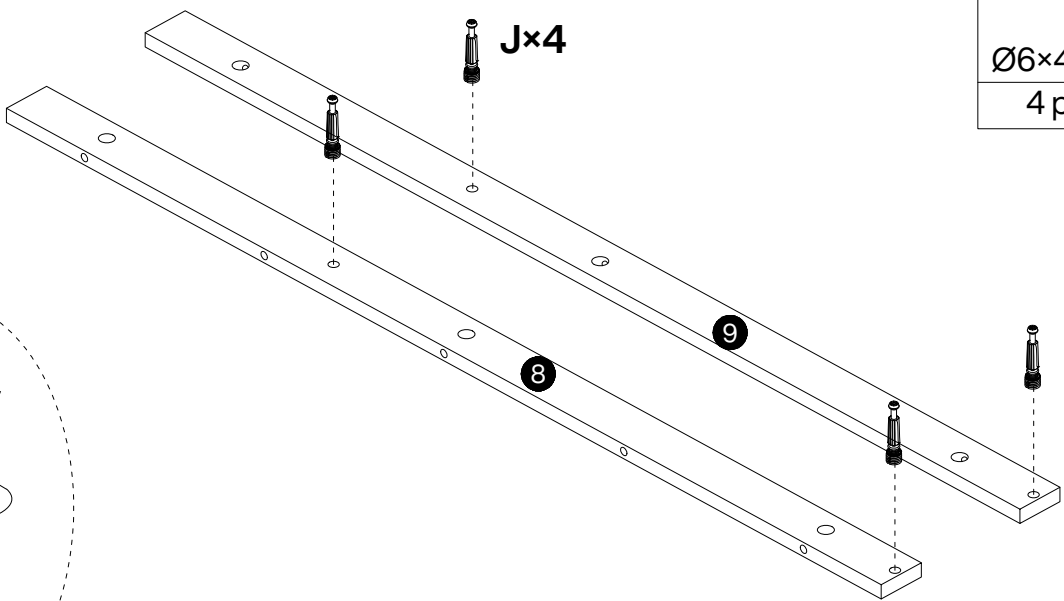
Step 2

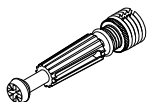


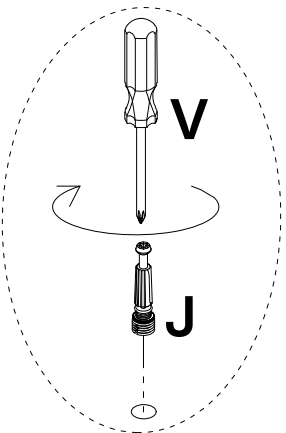
Step 3



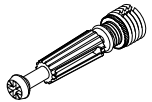
24

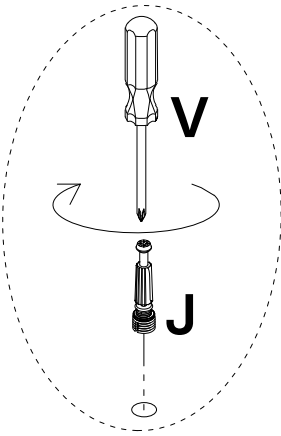
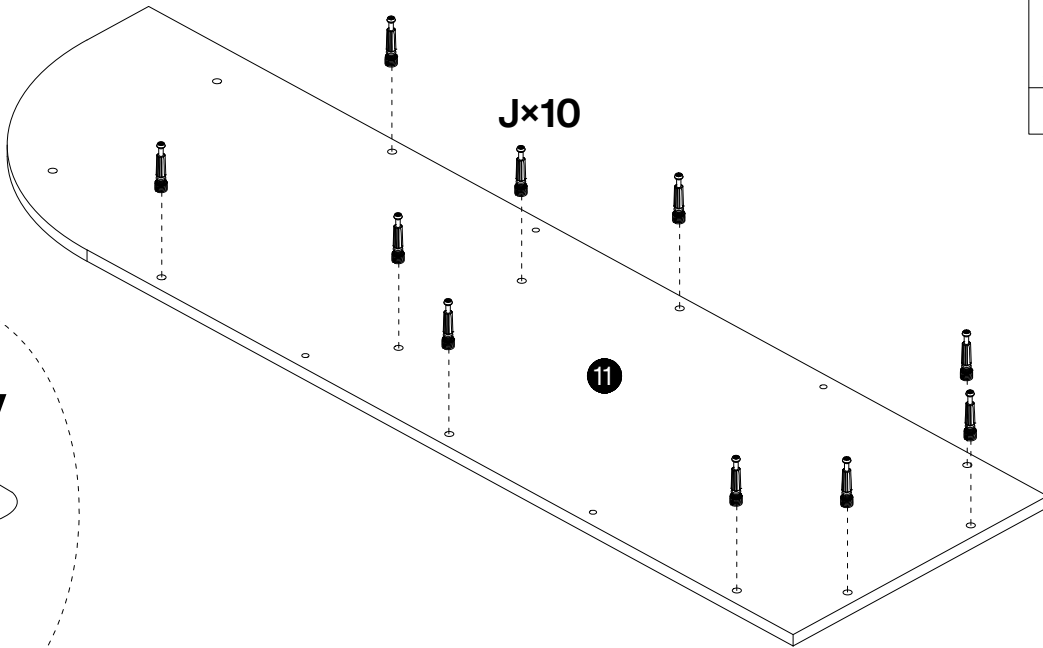


J

Ø6×40mm
4 pcs

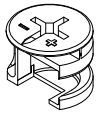


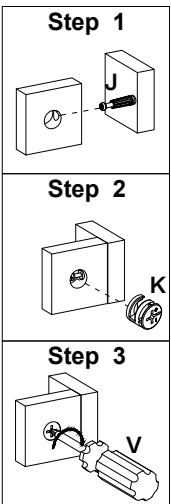
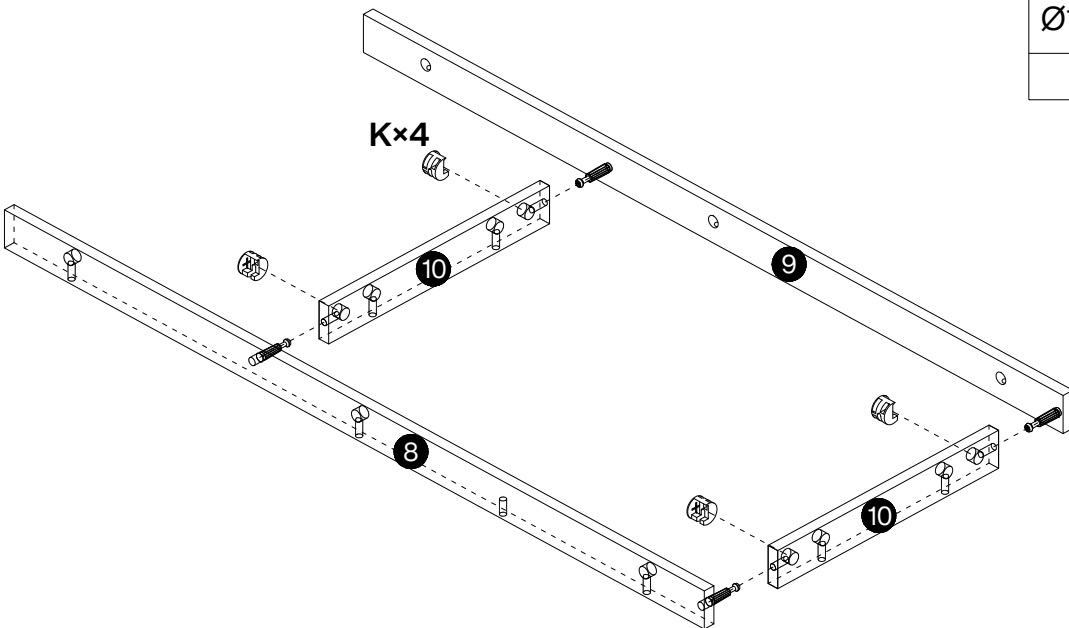
25

J

Ø6×40mm
10 pcs

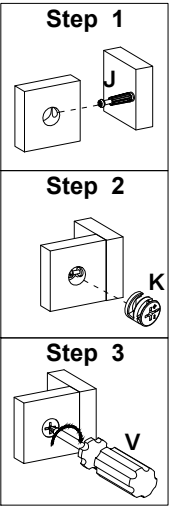
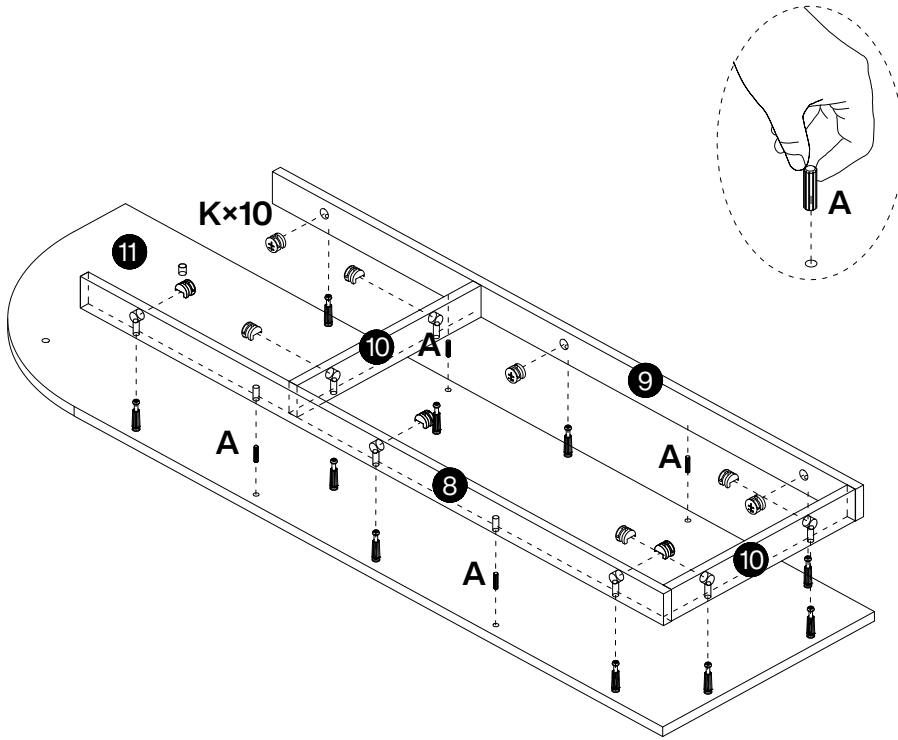


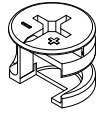
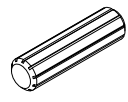
26

K

Ø15×12mm
4 pcs

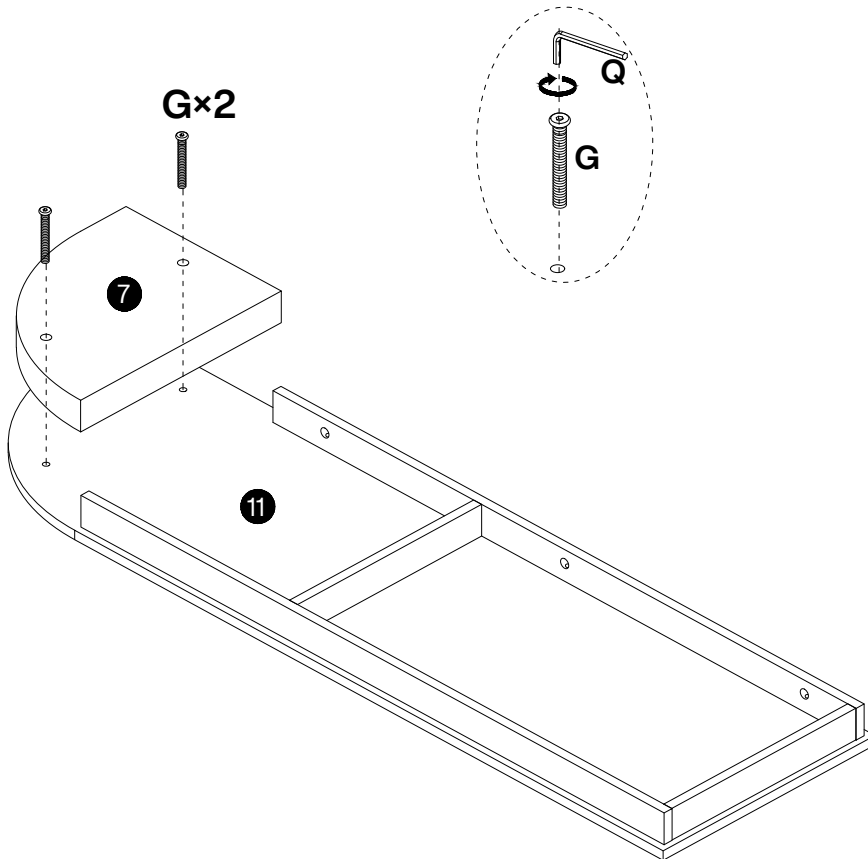


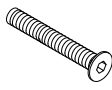
27



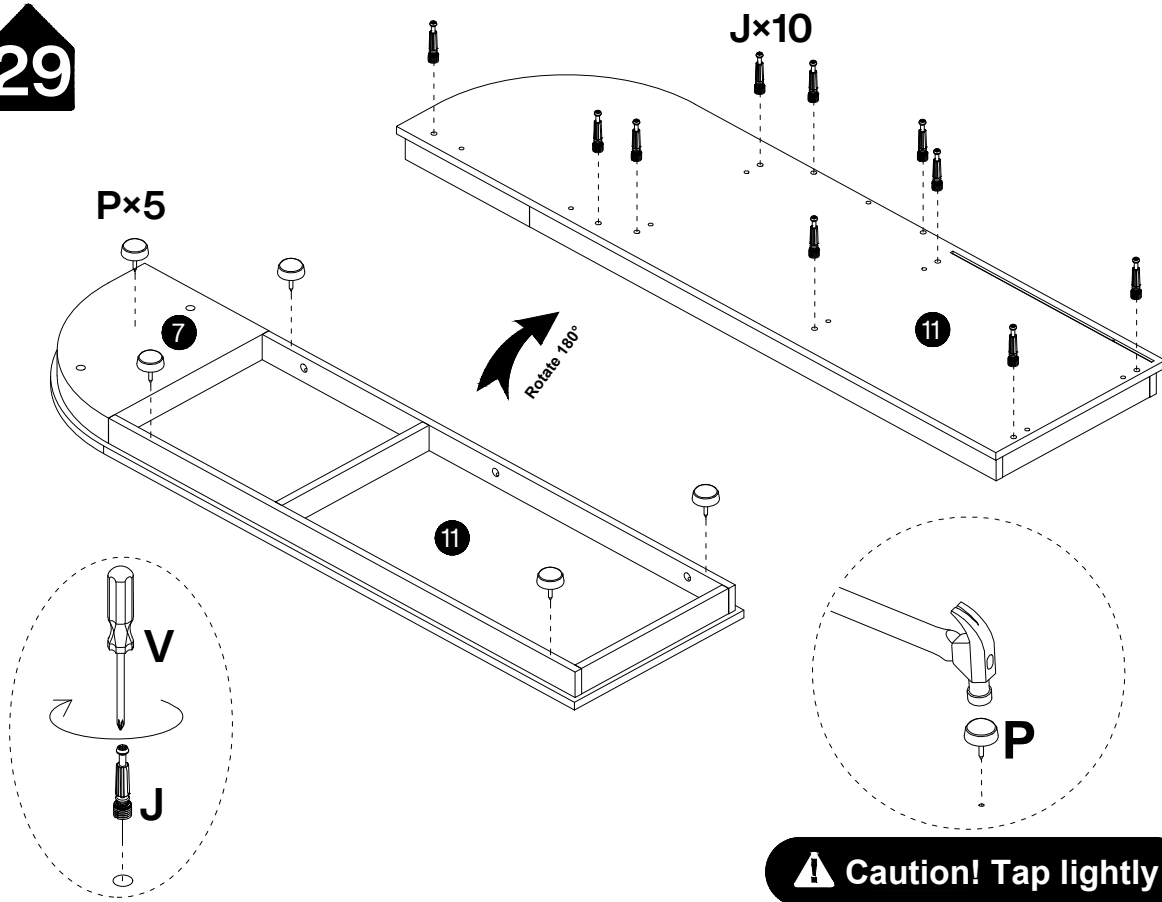
K

Ø15×12mm
10 pcs
A

Ø8×30mm
4 pcs

28



G

Ø6×45mm
2 pcs

29



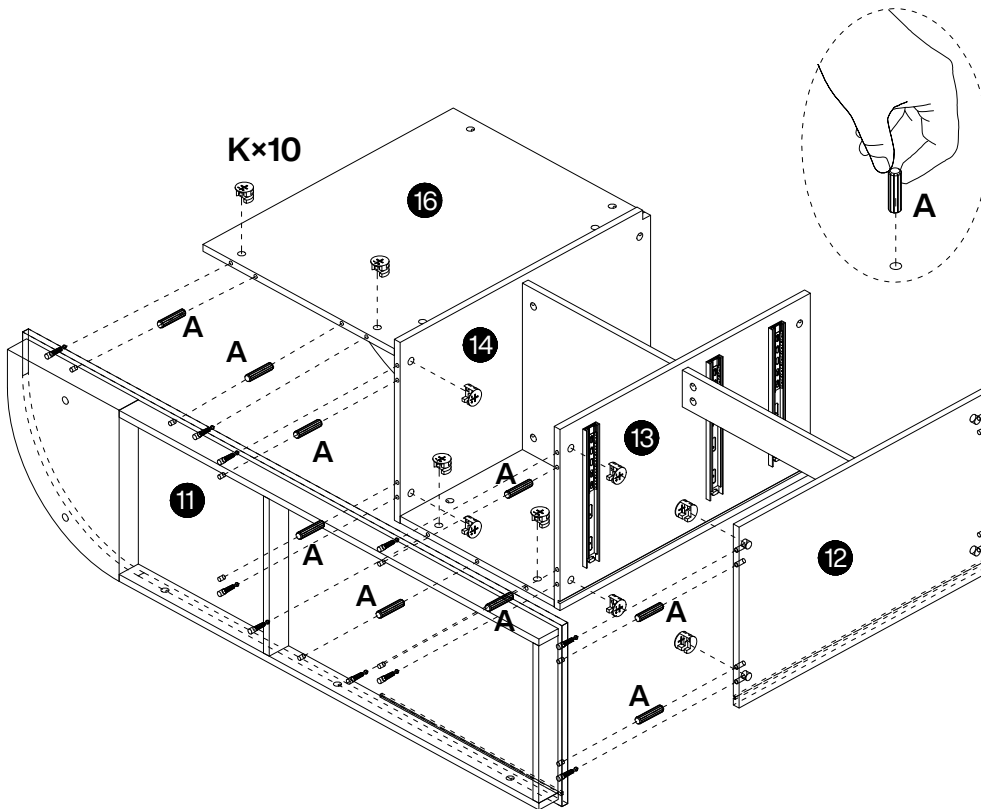
P

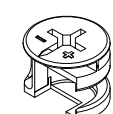
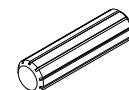
5 pcs
J

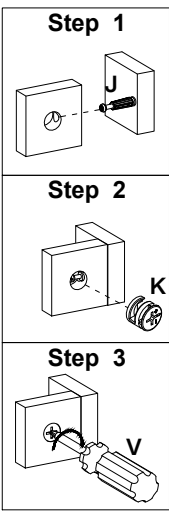
Ø6×40mm
10 pcs

⚠ Caution! Tap lightly

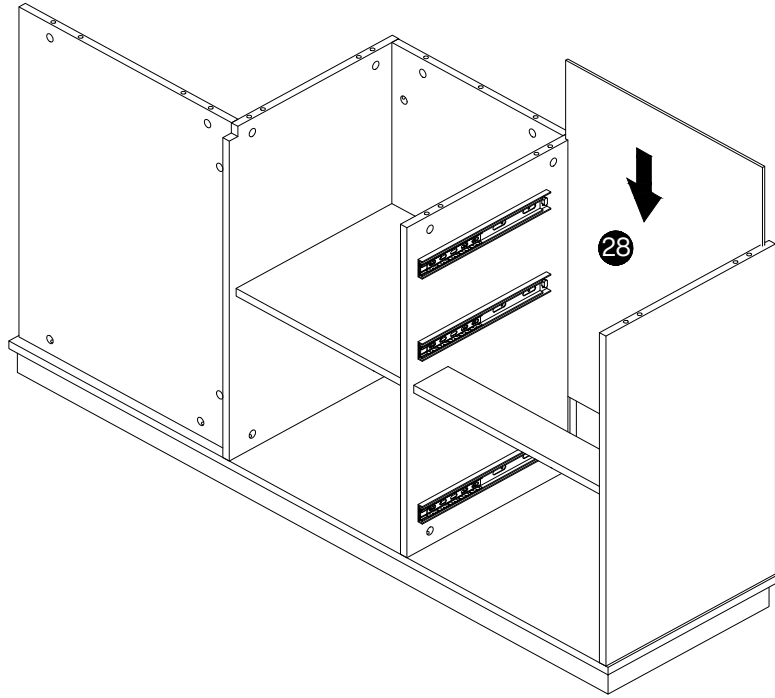
30



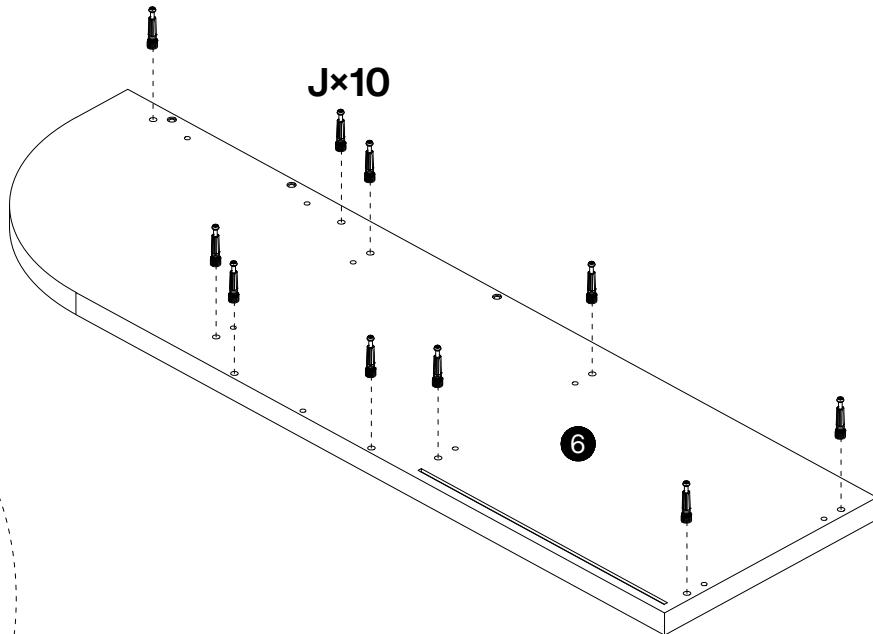
K

Ø15×12mm
10 pcs
A

Ø8×30mm
9 pcs



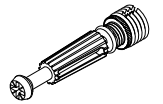
31



32

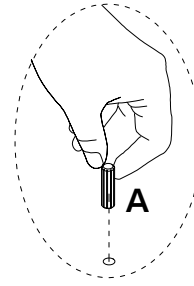
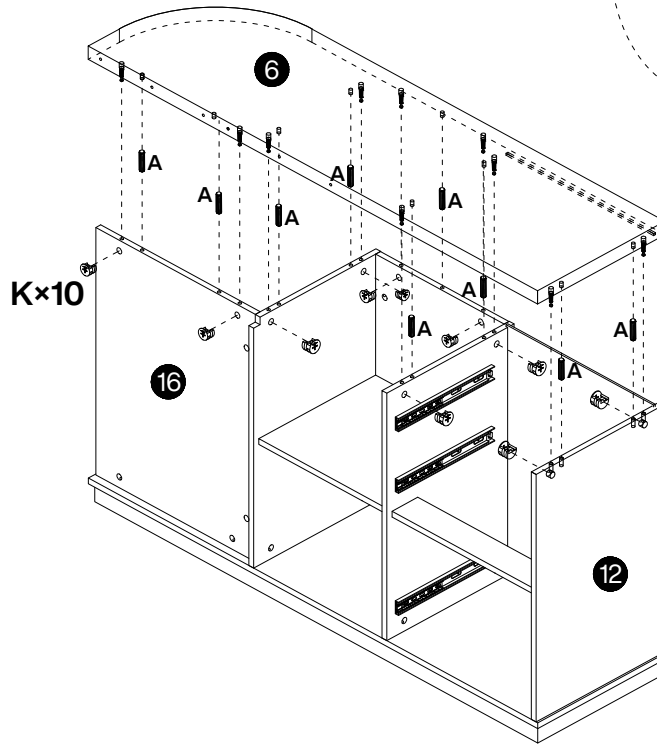
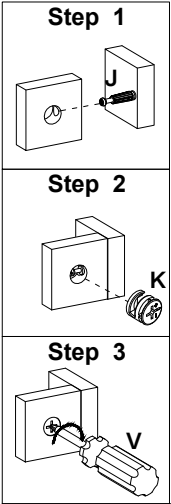


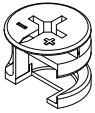
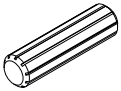
J



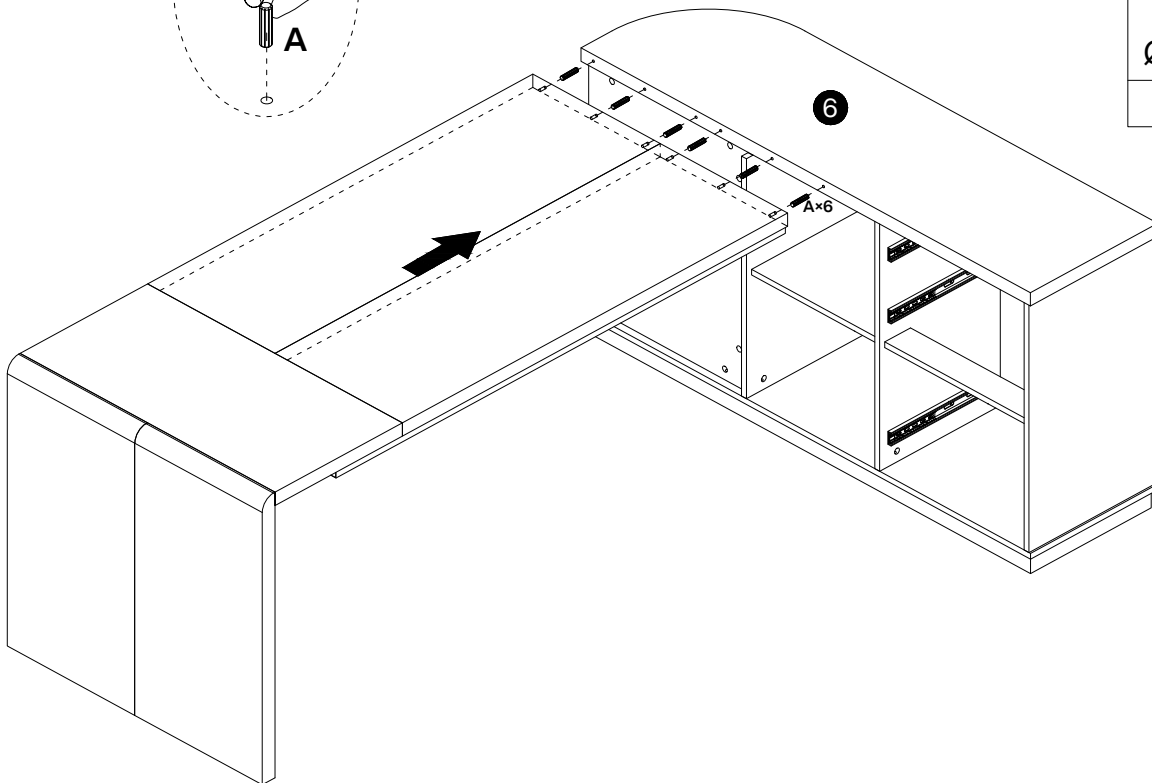
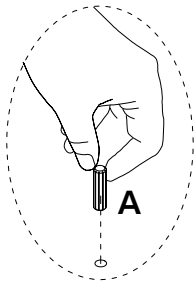
Ø6×40mm
10 pcs

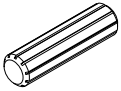
33



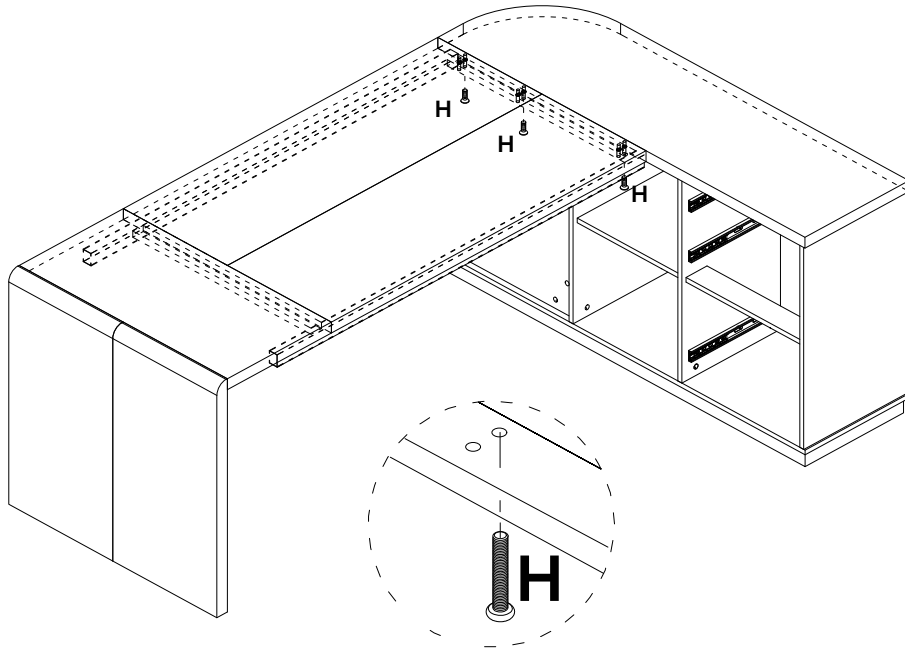
K

Ø15×12mm
10 pcs
A

Ø8×30mm
9 pcs

34

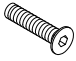


A

Ø8×30mm
6 pcs

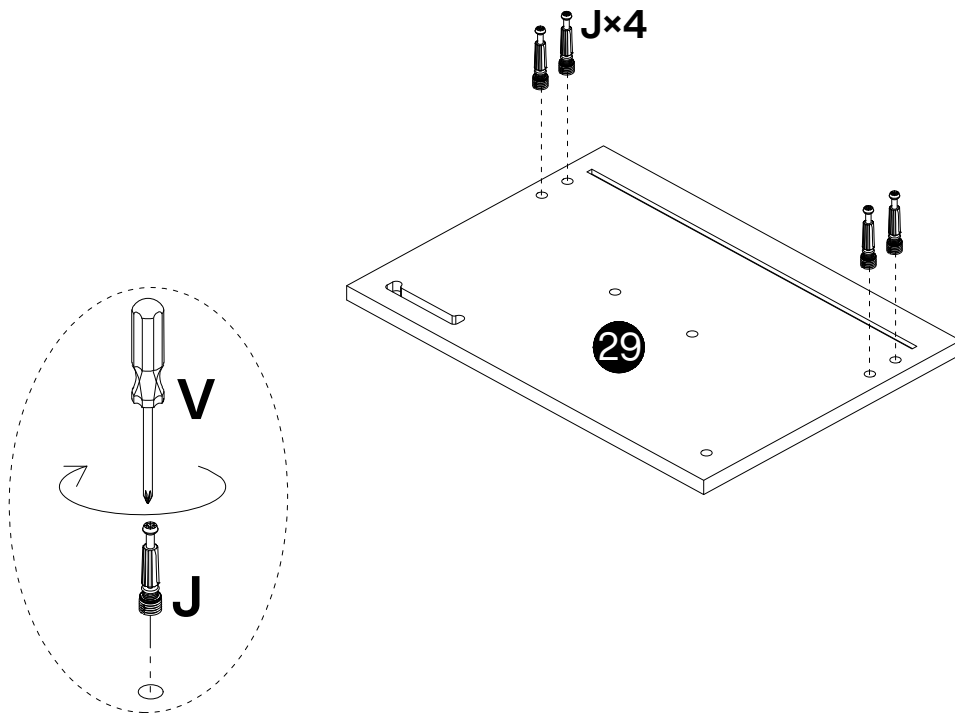
35

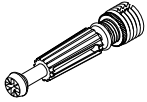


⚠ Screw M6×35mm

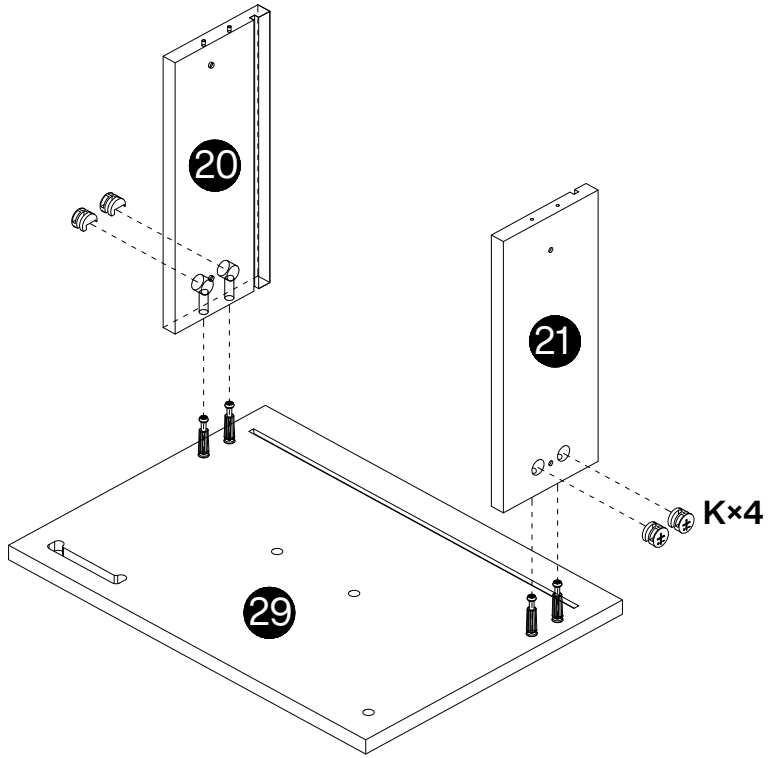
H

Ø6×35mm
3 pcs

36



J

Ø6×40mm
4 pcs

37



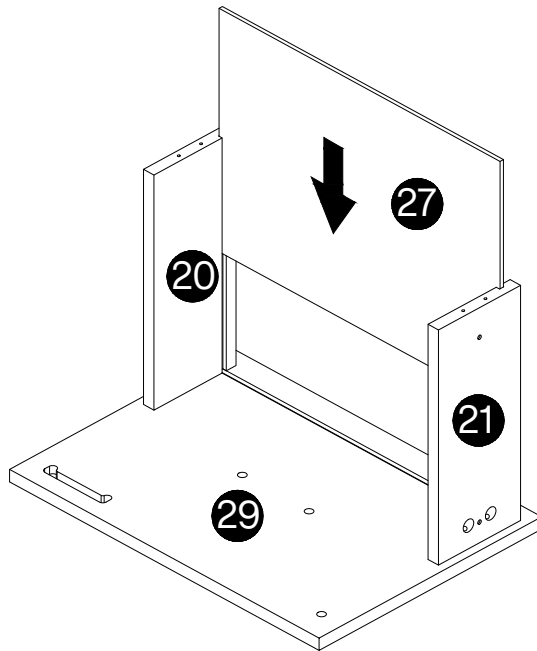
K
Ø15×12mm
4 pcs

Step 1

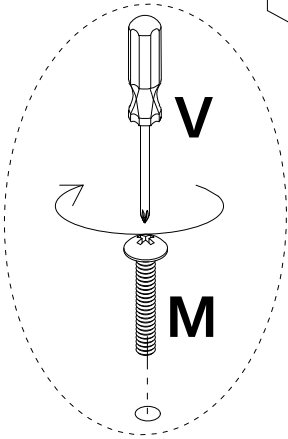
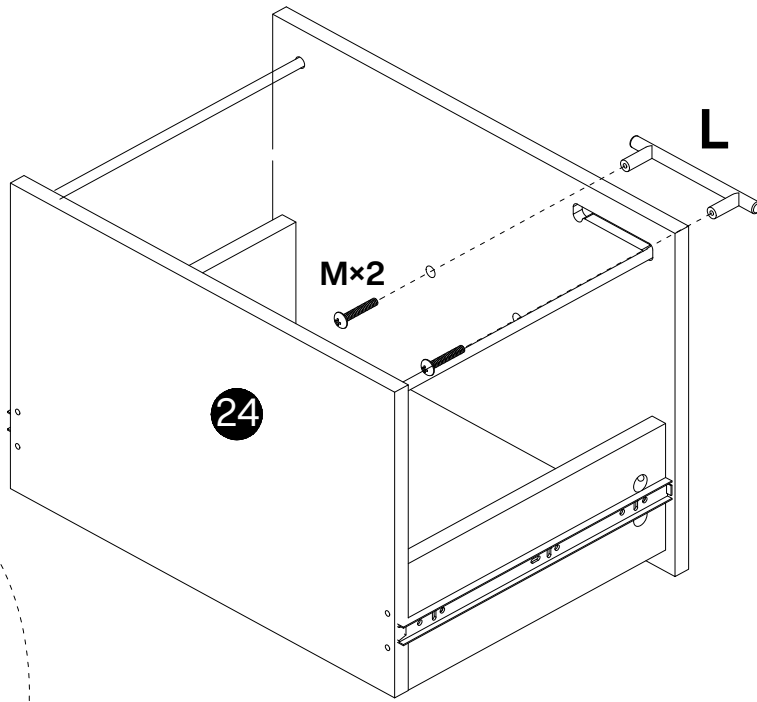
Step 2

Step 3

38



41

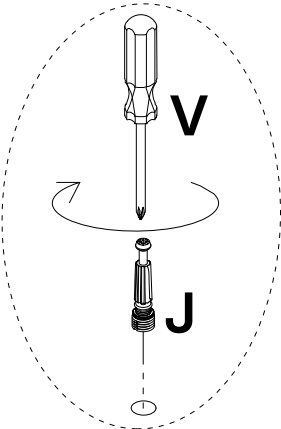
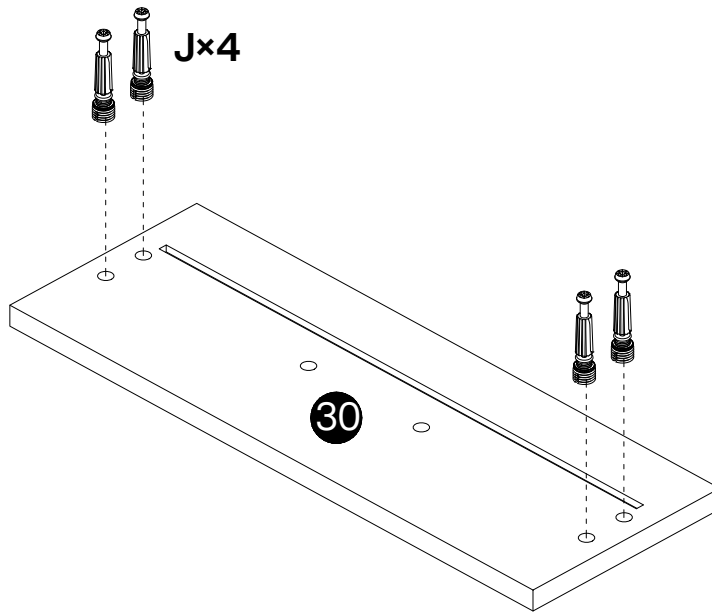


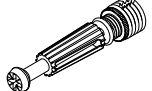
M

Ø4x25mm
2 pcs
L

1 pc

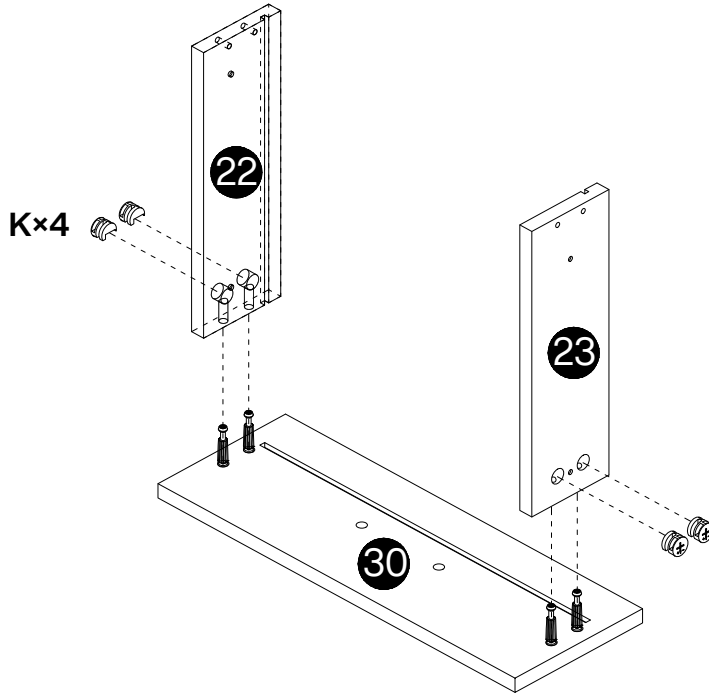
42

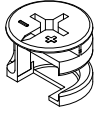


J

Ø6x40mm
8 pcs

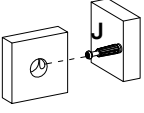
x 2

43

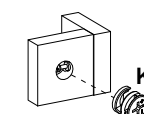


K

Ø15×12mm
8 pcs

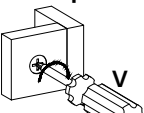
Step 1



Step 2

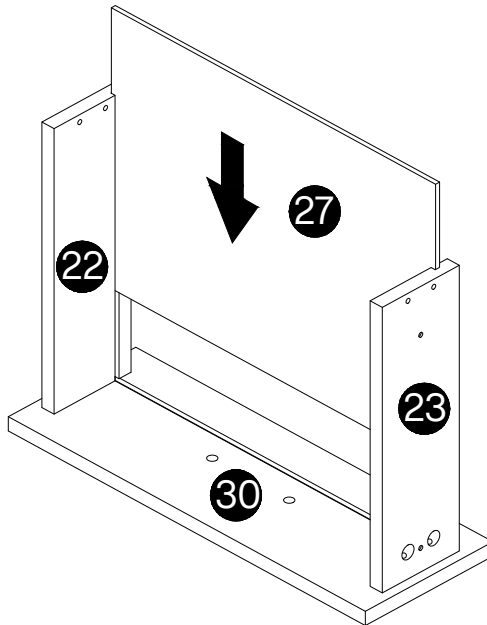


Step 3



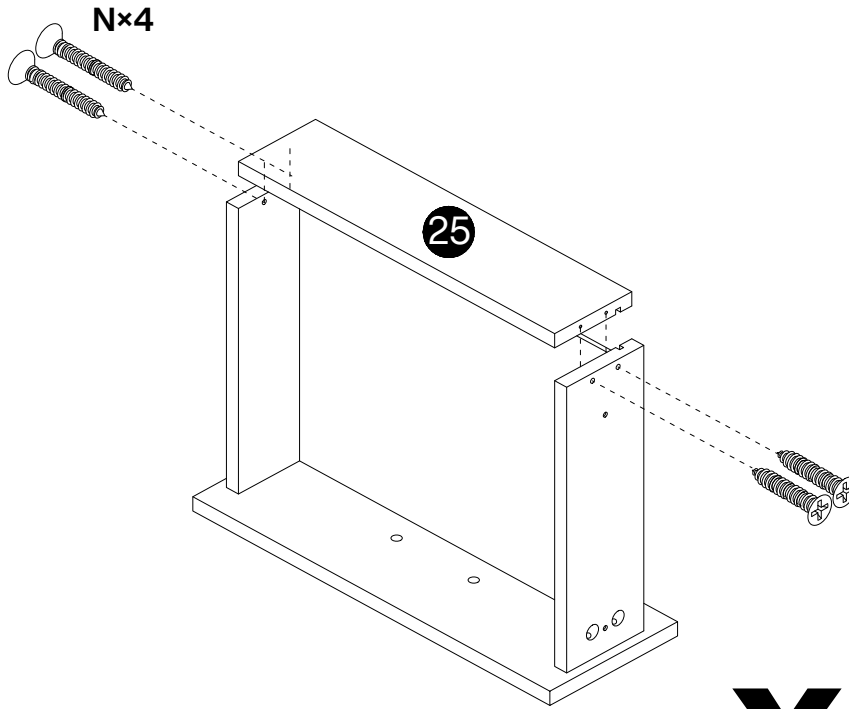
x 2

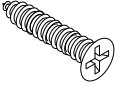
44



x 2

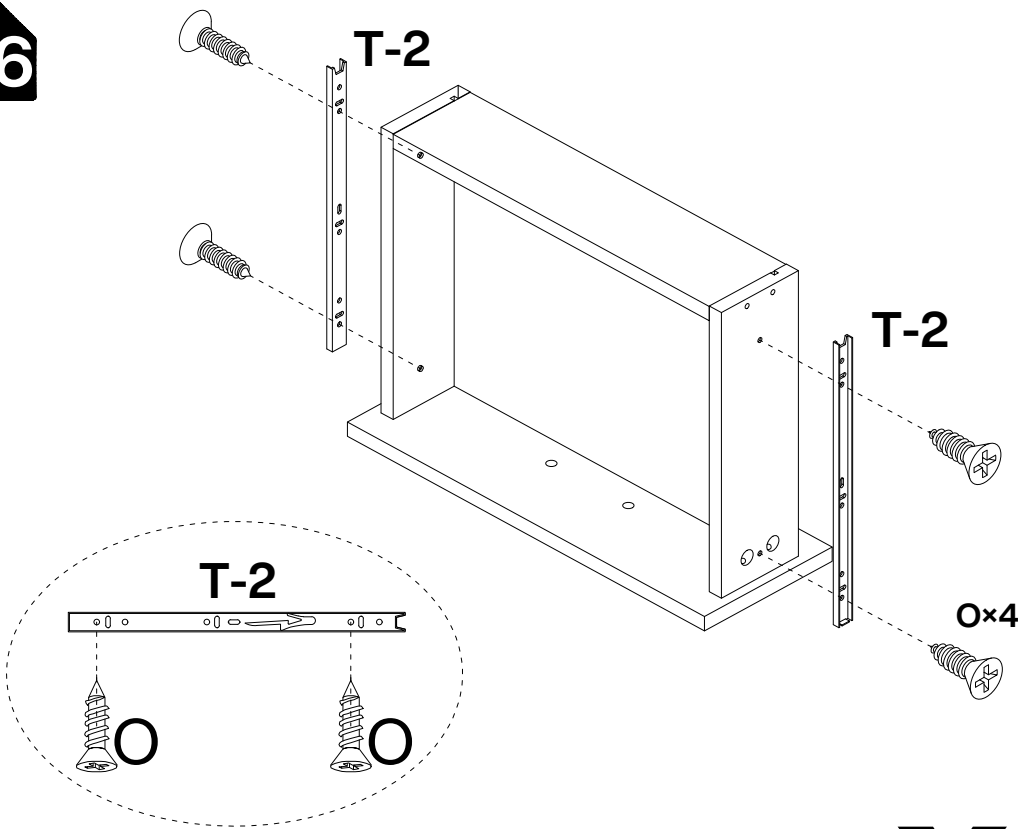
45





N

Ø3.5x35mm
8 pcs

x 2

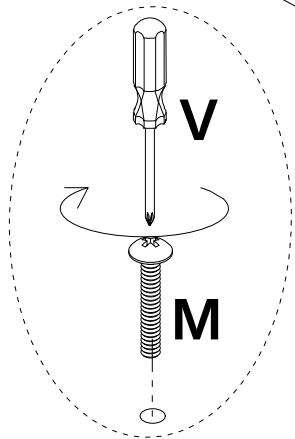
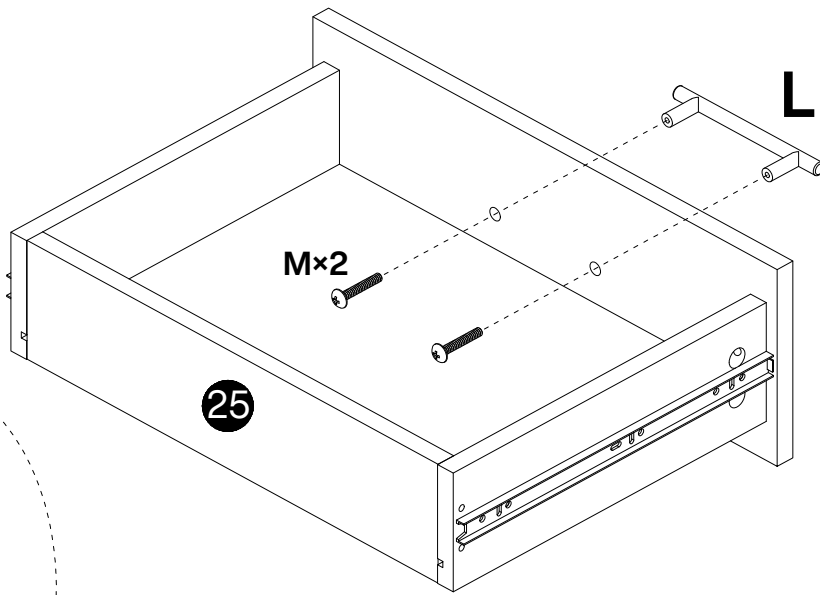
46

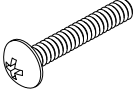
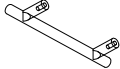


O

Ø3.5x14mm
8 pcs
T-2

L300mm
4 pcs

x 2

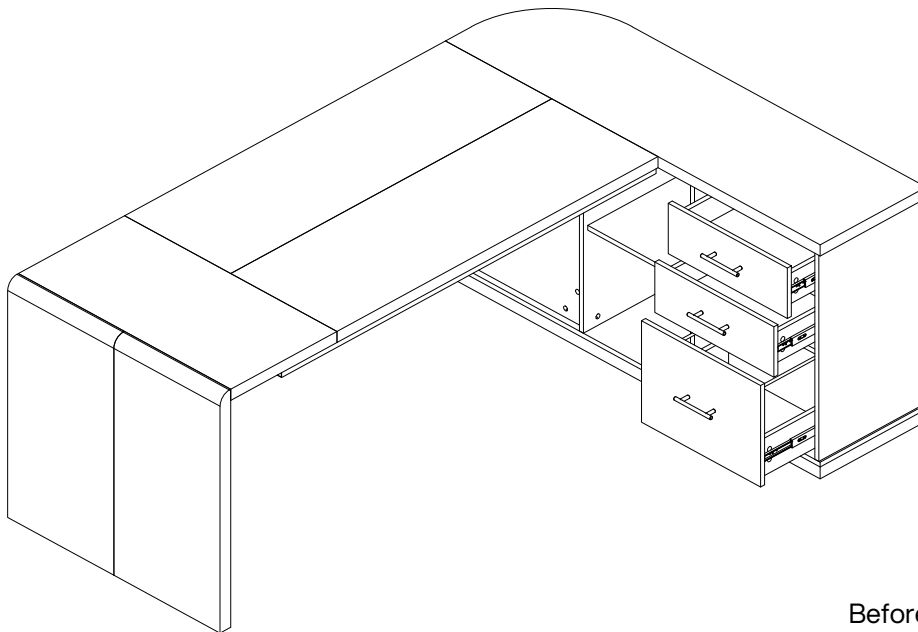
47



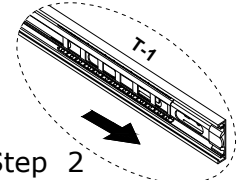
M
 Ø4x25mm
4 pcs
L

2 pcs

x 2

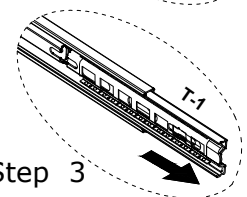
48



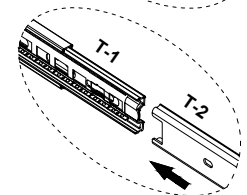
Step 1



Step 2



Step 3



Before installation, slide the inner iron pieces of #T-1 to the outermost side. Then align it with #T-2 and gently push it inward to complete the slide installation.

Thank you for your support!

