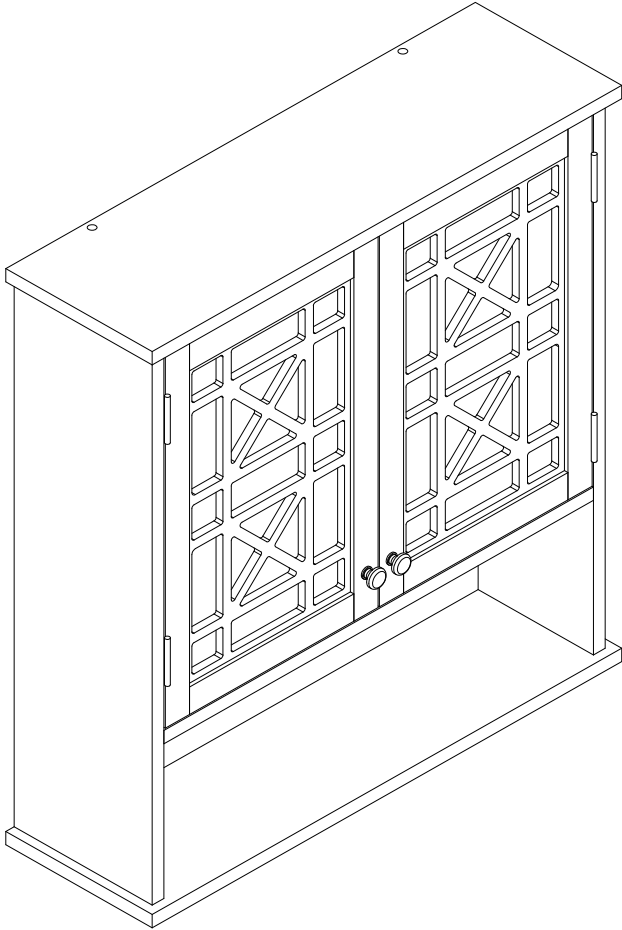


# ASSEMBLY INSTRUCTIONS

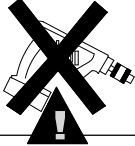
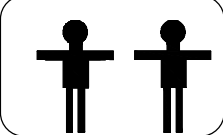

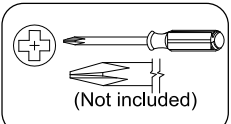
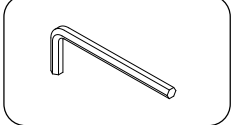
## Over Toilet Hutch with Mixed Storage



### REPLACEMENT PARTS

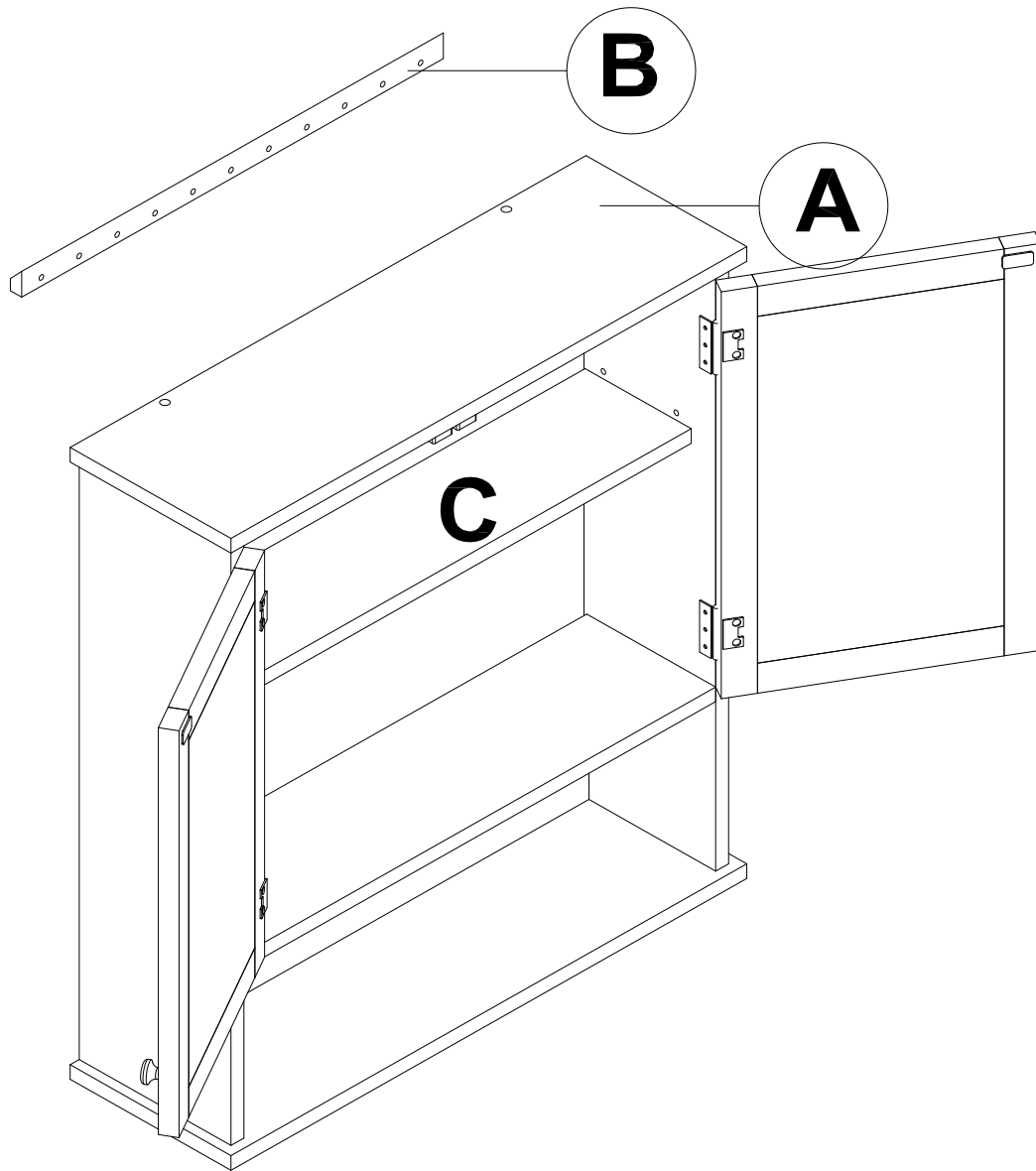
Please do not contact the company purchased from as we can help you faster.

Order replacement parts and hardware at "[boltonfurniture.com](http://boltonfurniture.com)"


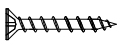





 <p><b>. Use of power tool to assemble this product will invalidate any claim and damage this product making it unsafe!!!</b> <b>. Please assemble on a clean soft surface to avoid damage.</b></p>	 <p>+</p>  <p><b>60 minutes</b></p>	<p><b>Tool Included</b></p>  <p>(Not included)</p> 
--	---	---

[www.boltonfurniture.com](http://www.boltonfurniture.com)

# Part List- Over Toilet Hutch with Mixed Storage

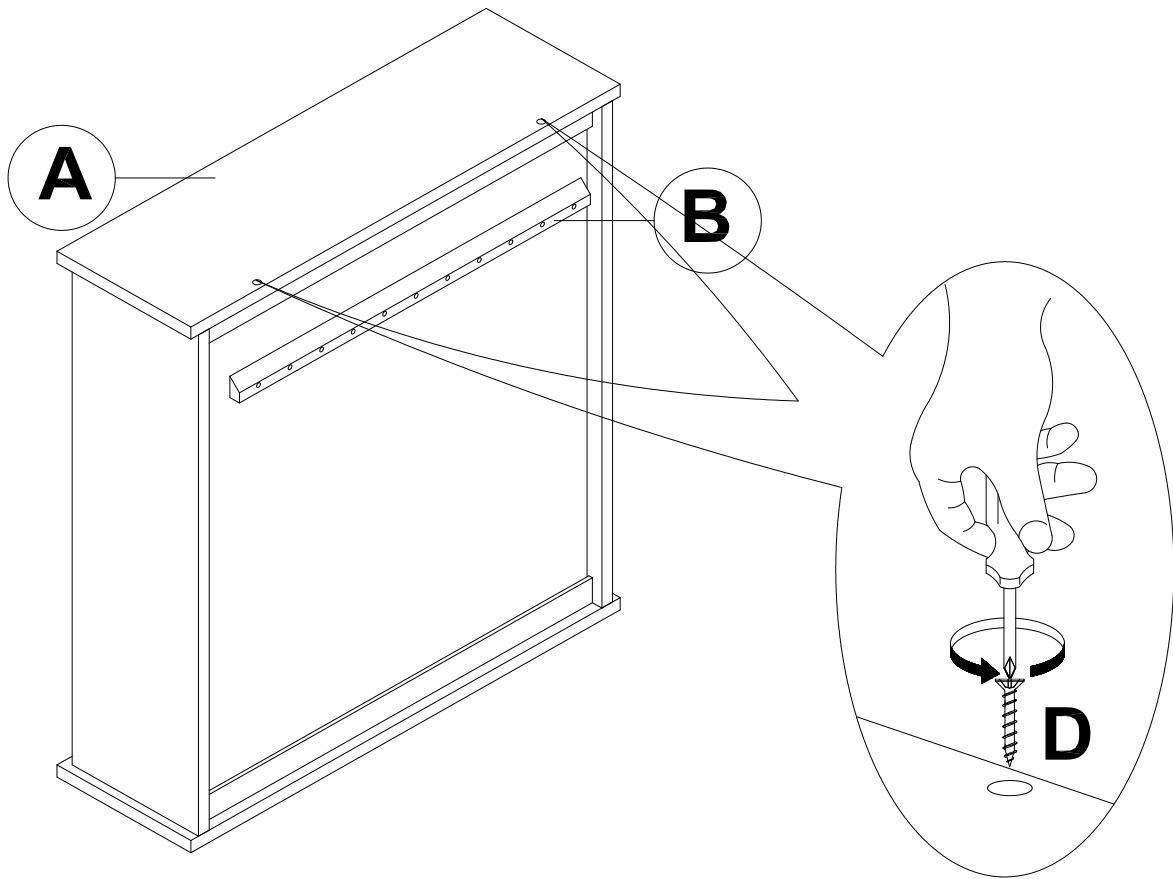


**Identifying the hardware**-Identify the hardware using the illustrations below.

<b>D</b>  <b>06</b> 4x50MM	<b>E</b>  <b>04</b> 4x40MM	<b>F</b>  <b>04</b> EZ-ANCHOR	<b>G</b>  <b>04</b>
<b>H</b>  <b>04</b> M6X45mm	<b>I</b>  <b>01</b>	<b>J</b>  <b>01</b> Anti-Tip Bag	

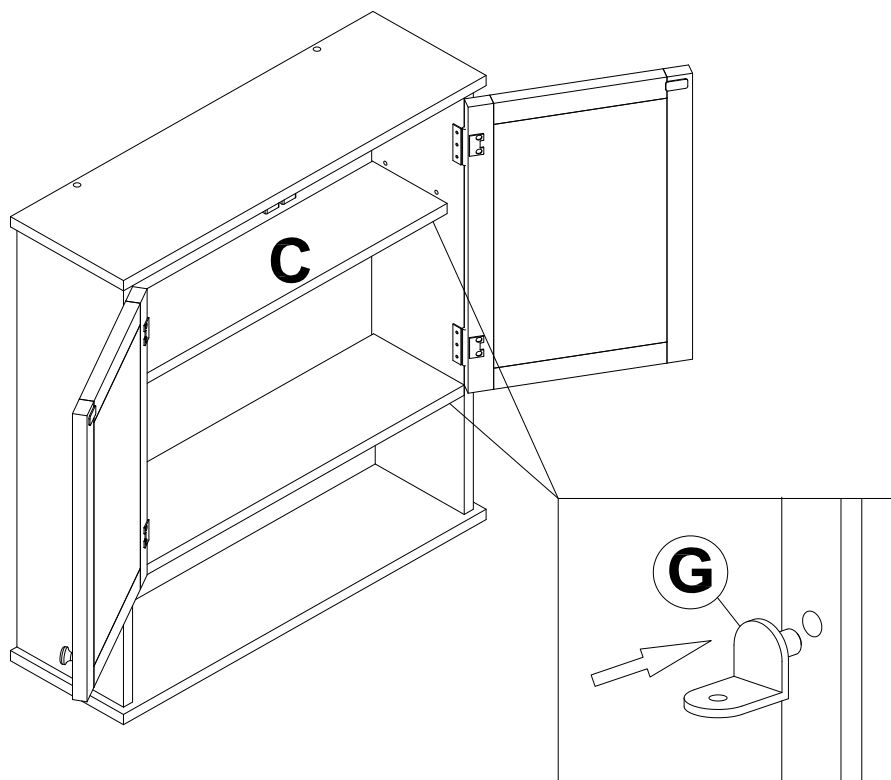
## Step 1

Remove French Cleat(B) from the back of the Over Toilet Hutch with Mixed Storage by unscrewing 2 pre-installed Wood Screw(D) from the top of the hutch.



## Step 2

Open the doors of the Over Toilet Hutch with Mixed Storage(A), Insert 4 Shelf Clips(G) in Holes on Side Frames at desired location. Place Shelf (C) on Shelf Clips(G)



Note: If possible, we recommend that you secure cleat (B) to stud in wall.

### Step 3

Position Cleat (B) on wall in desired location where shelf will be hung. Make sure cleat is level.

---

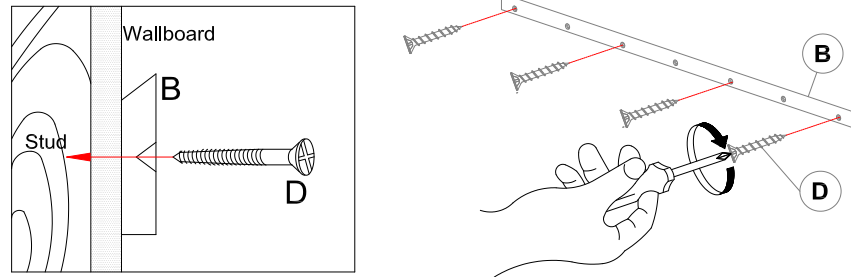
### Step 4

Using Cleat (B) as template, align holes in cleat to studs in wall. Drill 1/8" pilot holes 3/4" deep.

---

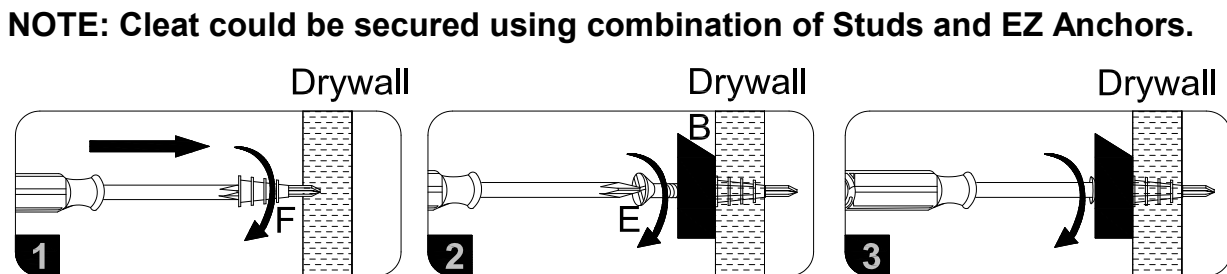
### Step 5

Attach French Cleat (B) to Studs in wall in 4 locations using wood screws (D)



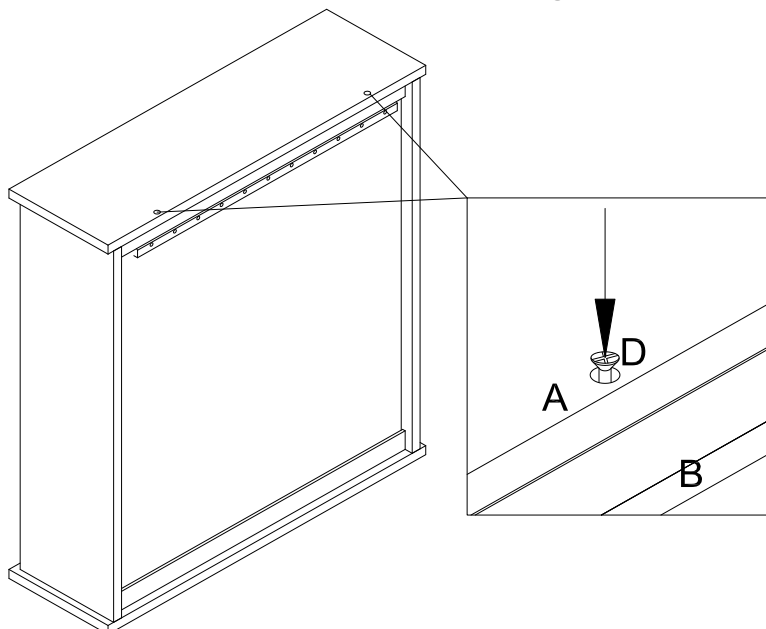
### Step 6

If hole locations do not align with stud in wall, install the EZ Anchor (F) in to drywall by tapping it in to the predrilled pilot holes up to the thread, and then screwing the EZ Anchor in to the drywall. Attach Cleat (B) using wood screw (E) to EZ Anchors.



### Step 7:

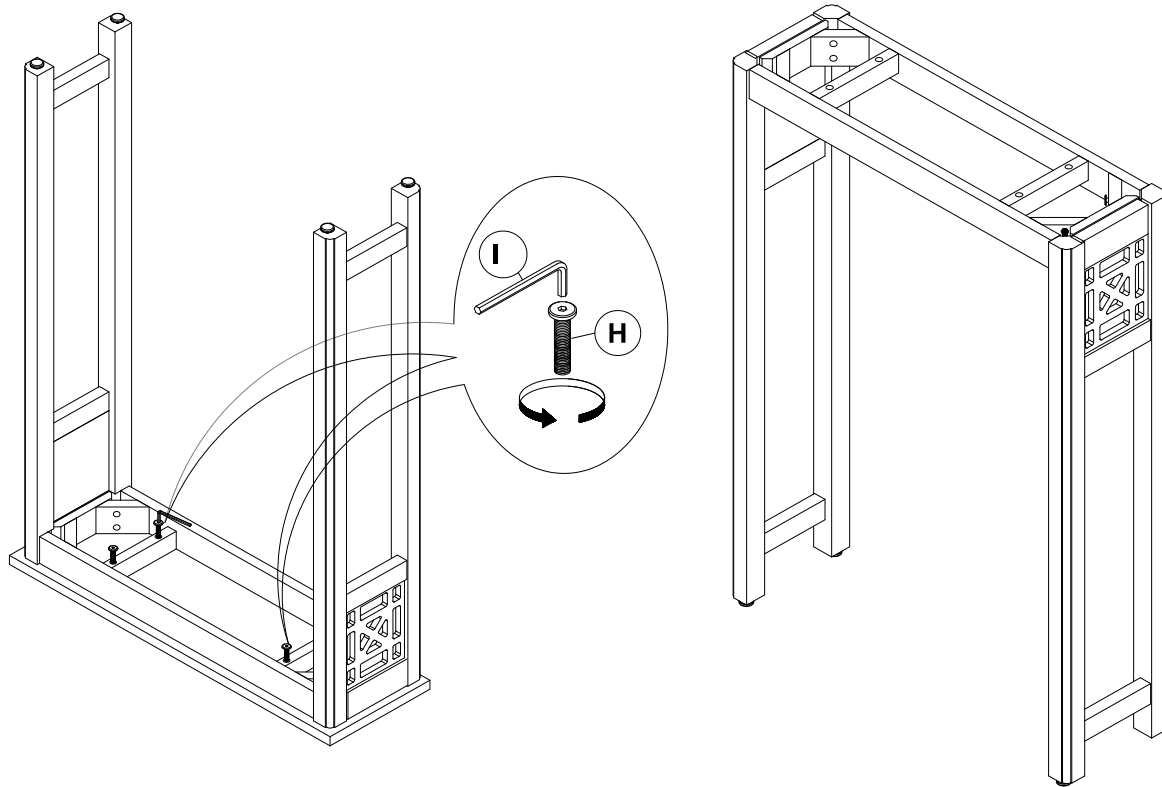
Hang Shelf (A) on cleat. Secure in 2 places using wood screw (D).



## TO MOUNT ON OPTIONAL OVER TOILET SHELF (ANDE72WH)

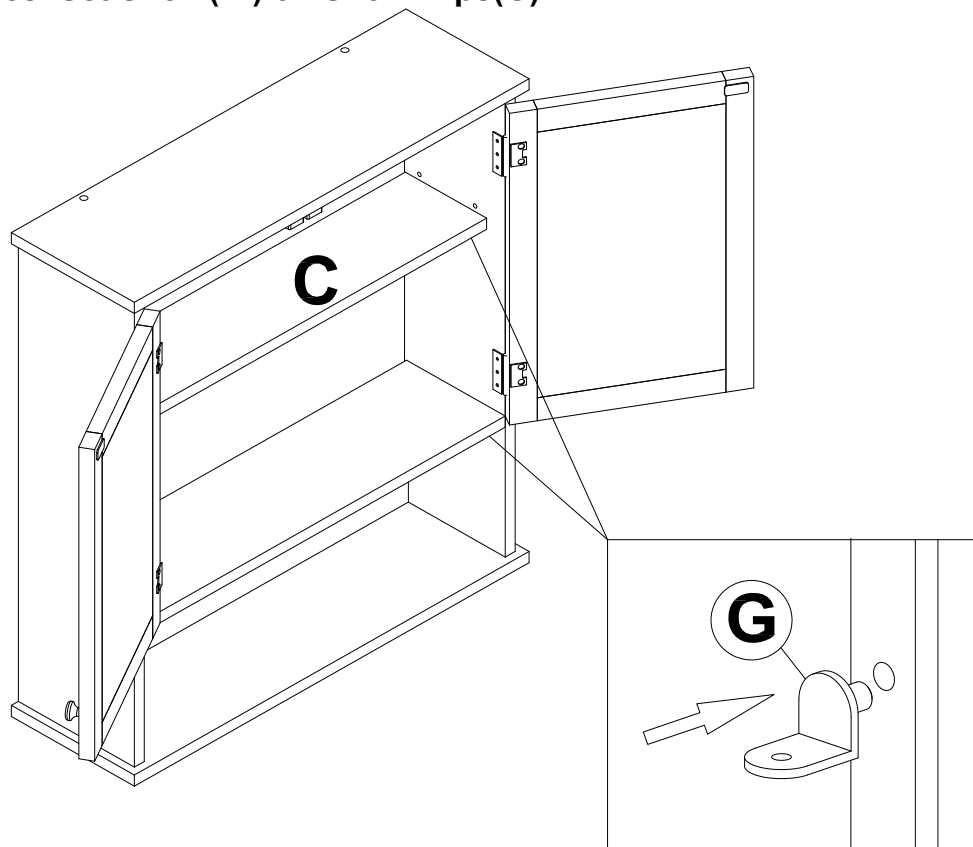
### Step1

Remove Table Top of Over Toilet Shelf by unscrewing 4 pre-installed Hex Bolts(H)



### Step2

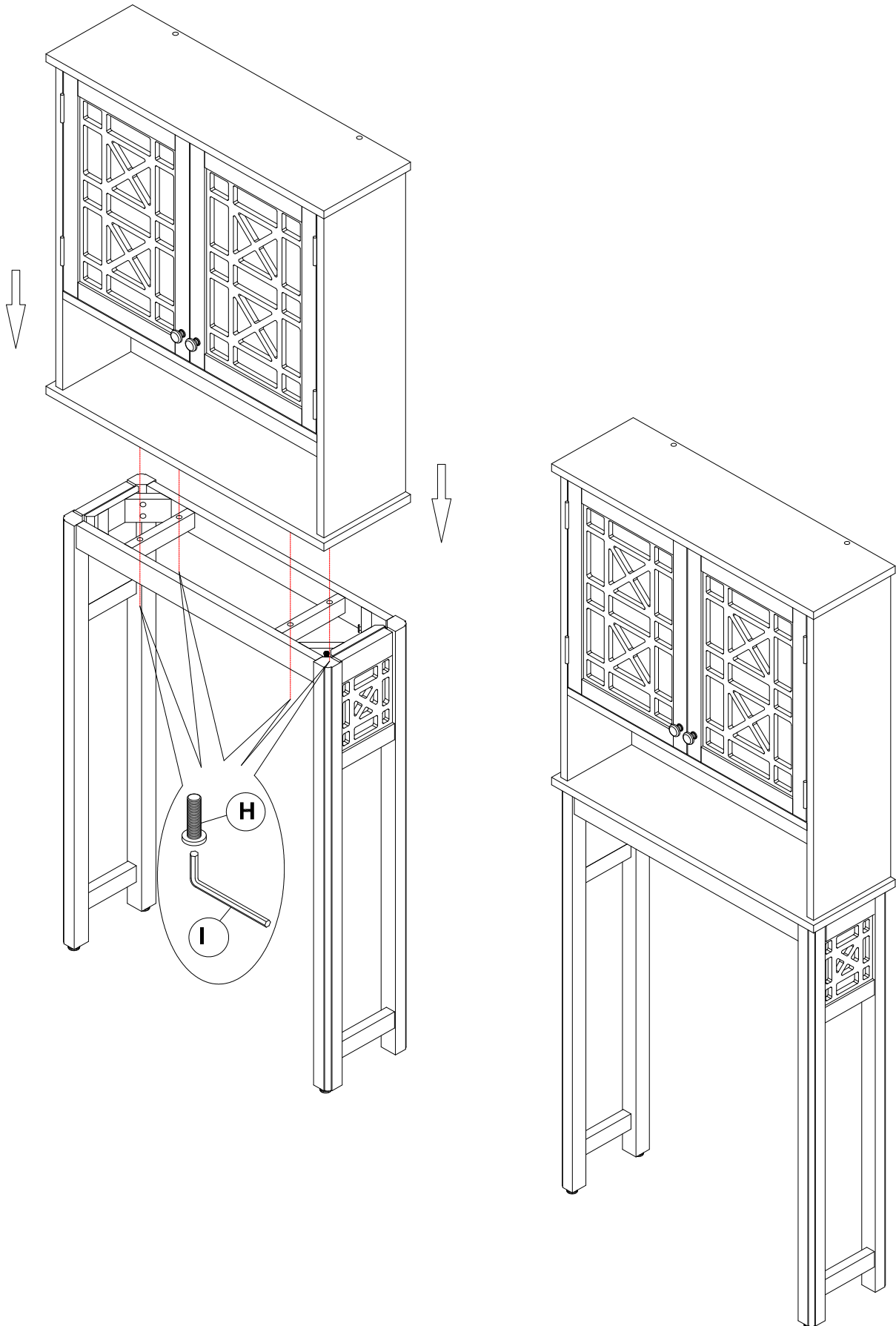
Open the doors of Over Toilet Shelf(A). Insert 4 Shelf Clips(G) in holes on Side Frames. Set Shelf (C) on Shelf Clips(G)




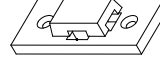


### Step3

Attached Over Toilet Hutch with Mixed Storage(A) on Over Toilet Shelf using 4-M6x45mm Hex Bolts(H).

Note: Tighten all bolts at this time!



# "J" Anti-Tip Bag

<b>A</b>	 4x14 Screw	<b>02</b>	<b>C</b>	 Plastic wall bracket	<b>02</b>
<b>B</b>	 4x35 Screw	<b>02</b>	<b>D</b>	 Nylon strap 140mm	<b>01</b>

