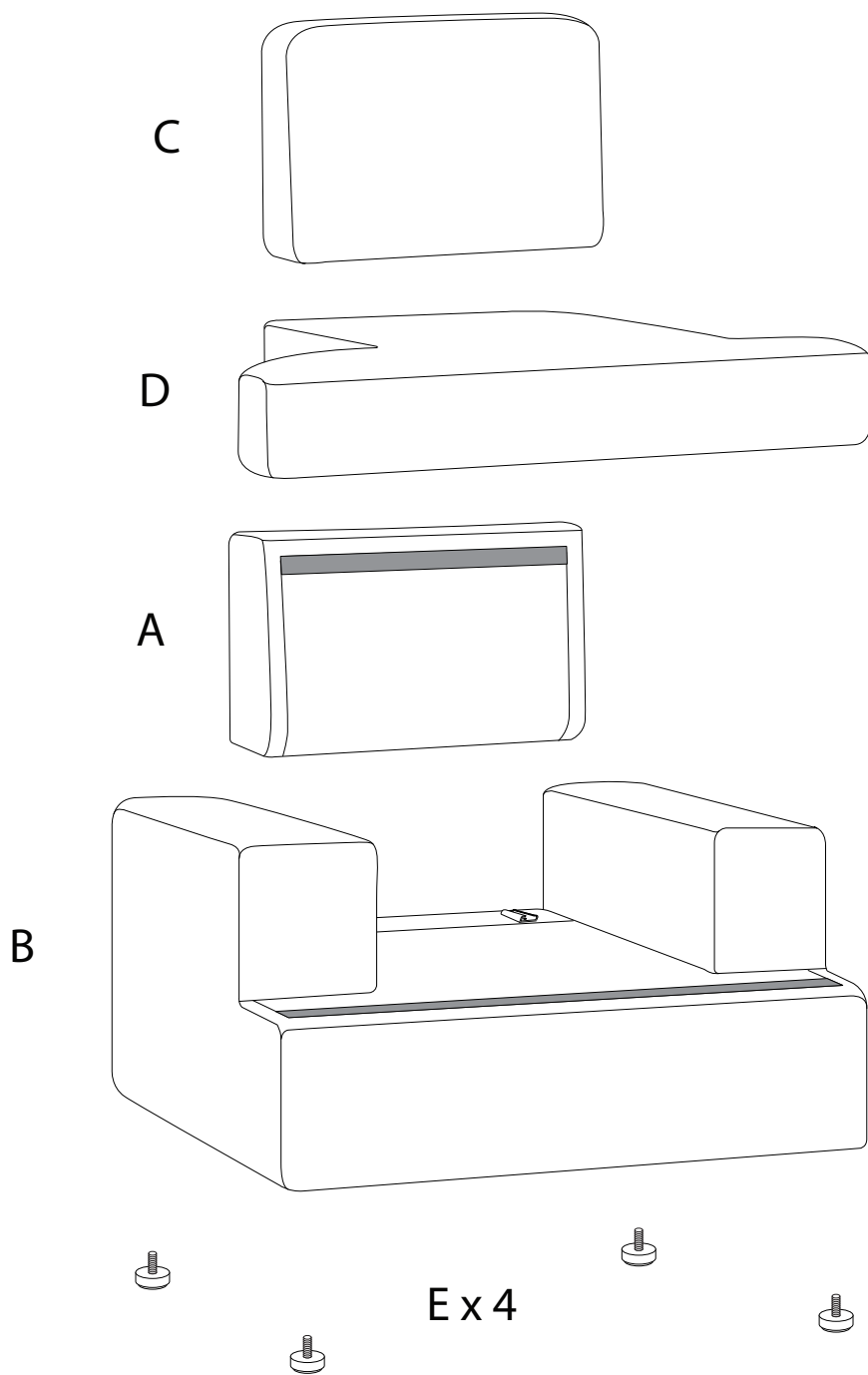
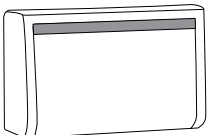
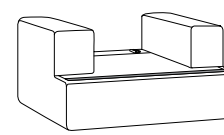

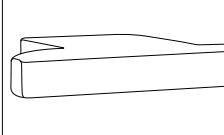
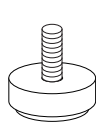


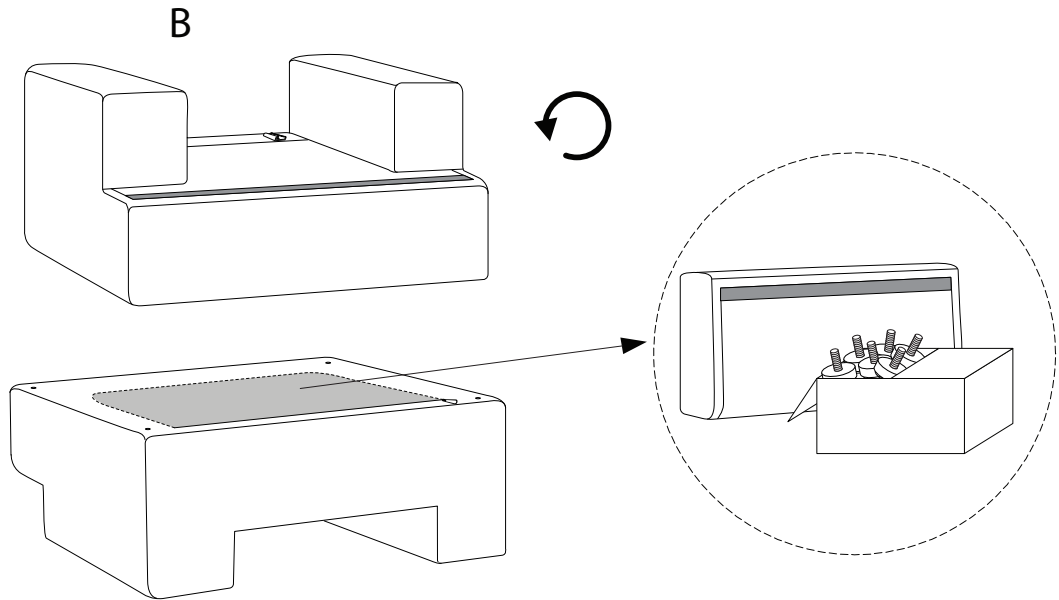
Diagram illustrating assembly instructions and safety warnings:

- Warning 1:** A crossed-out power drill icon indicates that a power drill should not be used for assembly.
- Warning 2:** A crossed-out icon of a block being drilled from the bottom indicates that drilling should not be performed from the underside of the component.
- Time:** A clock icon with the number **10'** indicates an estimated assembly time of 10 minutes.
- Personnel:** An icon of a person with the number **2** indicates that two people are required for assembly.

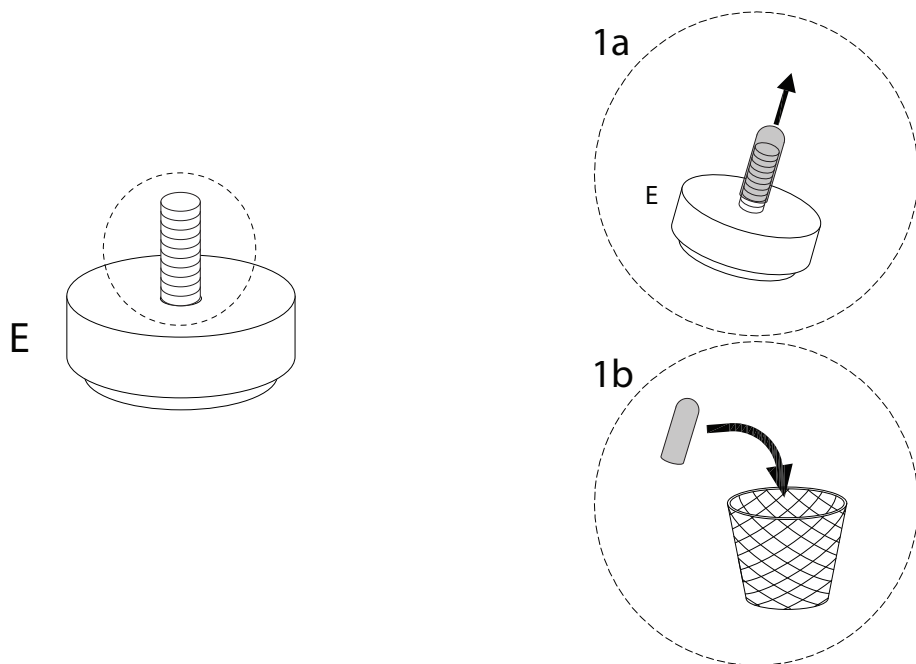


A	B	C	D	E
				
x 1	x 1	x 1	x 1	x 4

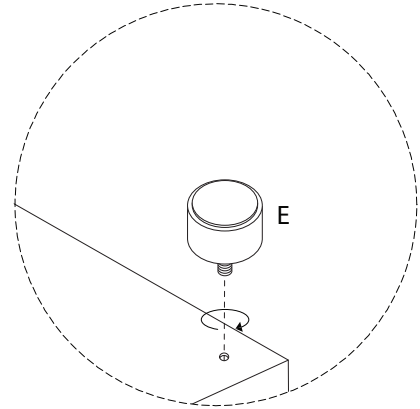
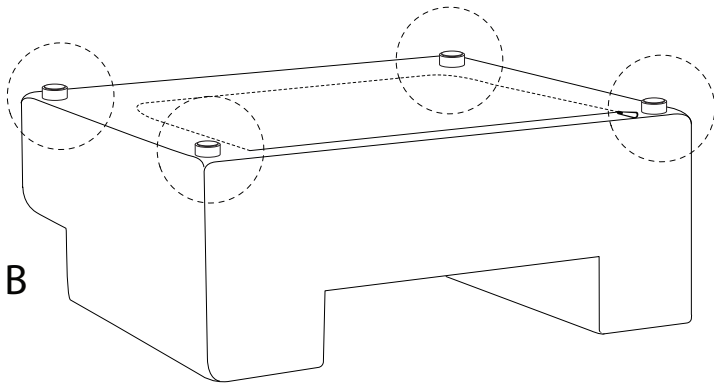
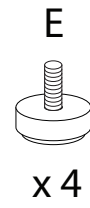
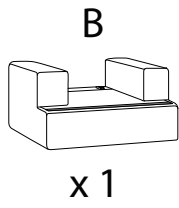
!



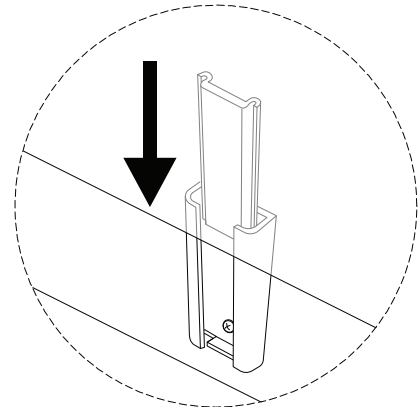
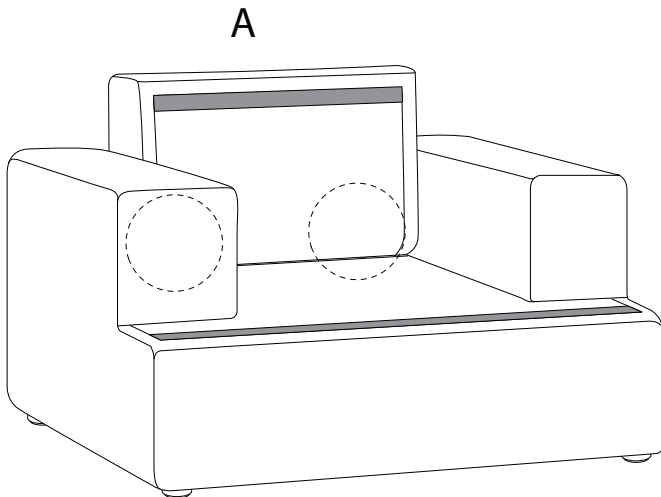
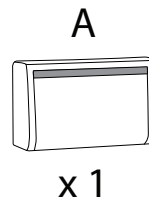
!



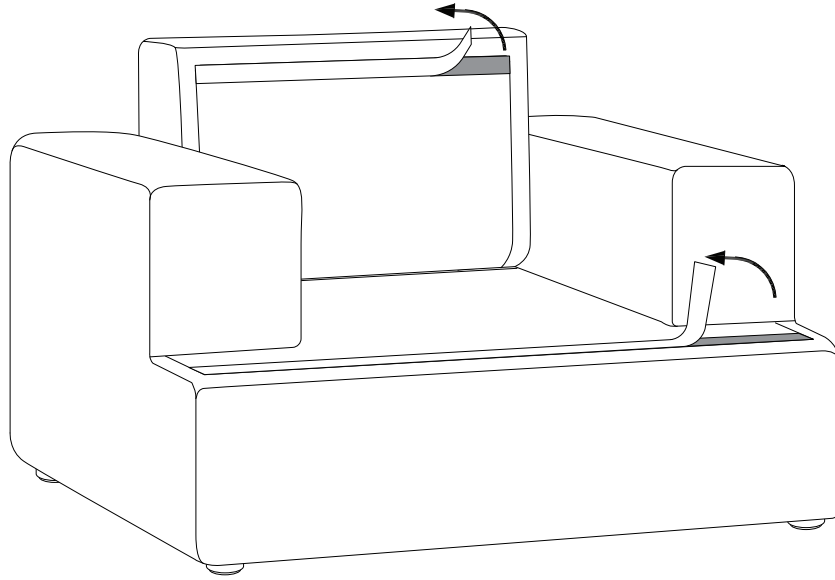
1



2



3



4

