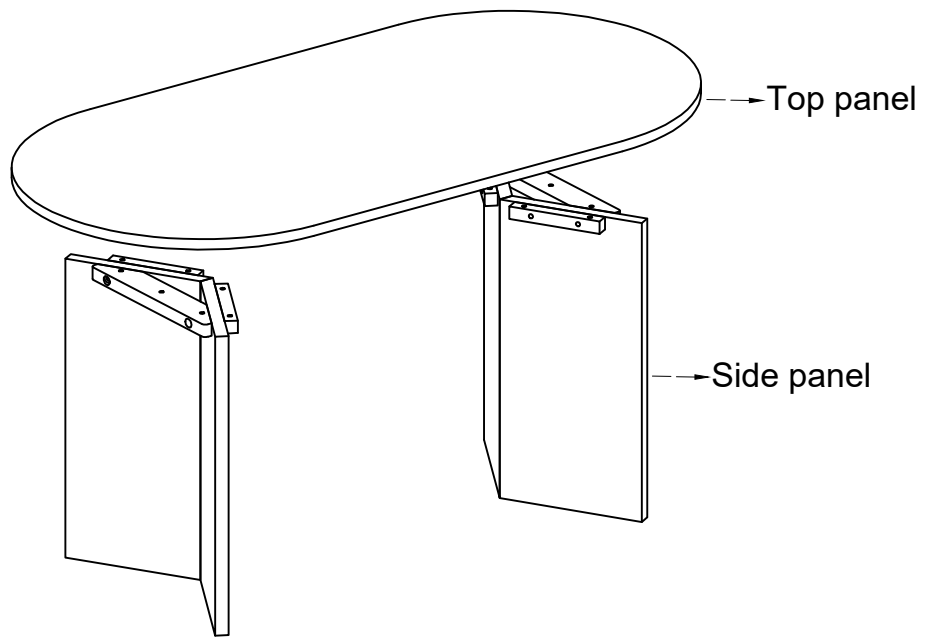
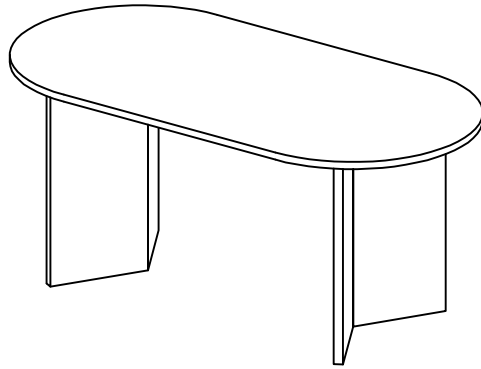
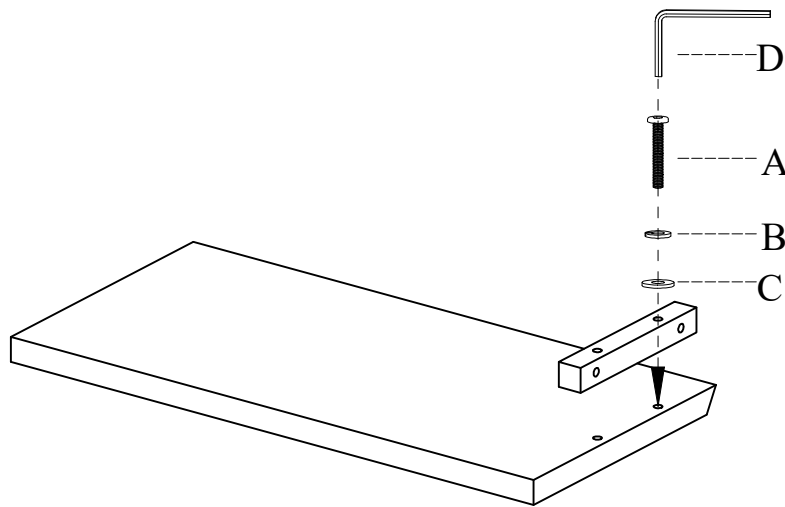





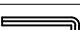
# ASSEMBLY INSTRUCTIONS



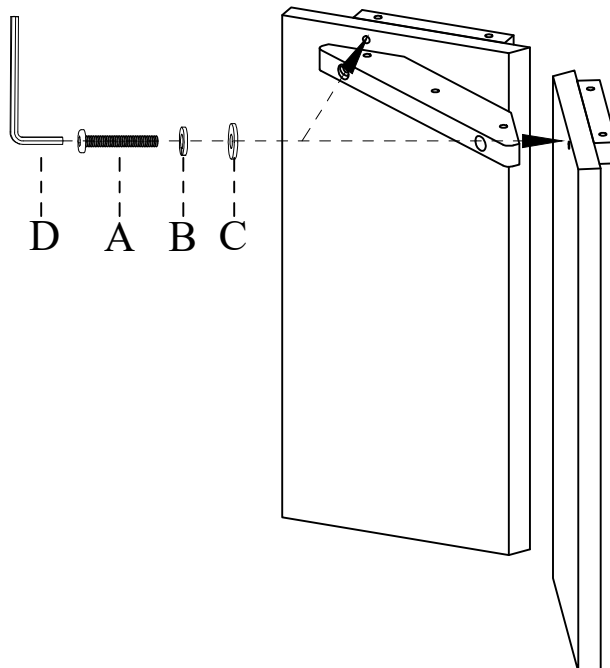
## Step 1



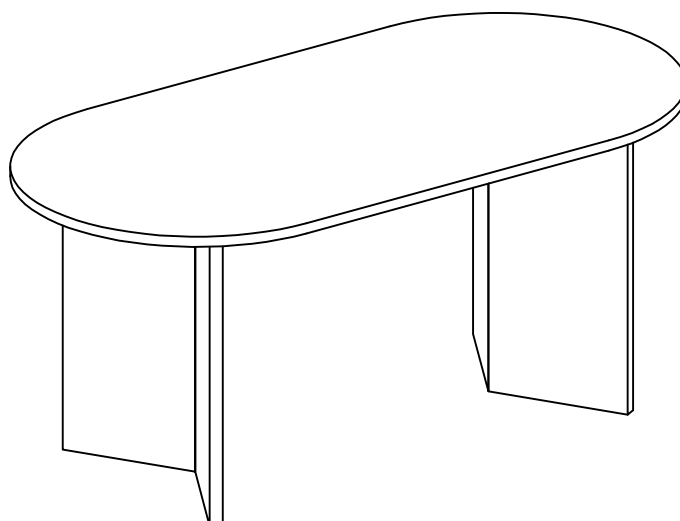
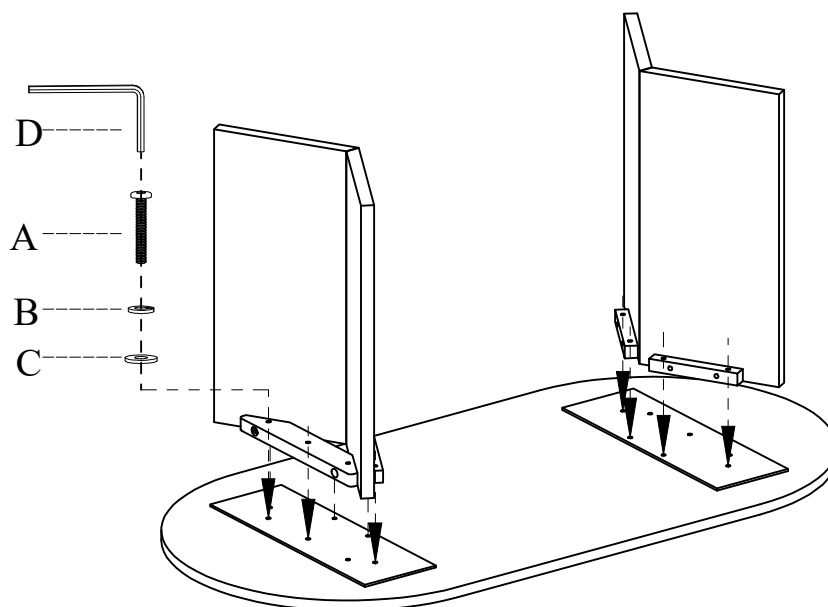
### HARDWARE LIST

A		Bolt (Ø5/16"*1-3/4")	26pcs
B		Lock Washer (Ø5/16")	26pcs
C		Flat Washer (Ø5/16"*Ø3/4")	26pcs
D		Allen Wrench (5mm)	1pc

## Step 2



## Step 3



OK