

ASSEMBLY INSTRUCTION

VH1890 - INDUSTRIAL CHARMS NOOK TABLE
 VH8090 - OZARKS NOOK TABLE
 VH9090 - SANDY BEACH NOOK TABLE




IMPORTANT SAFETY CONSTRUCTION

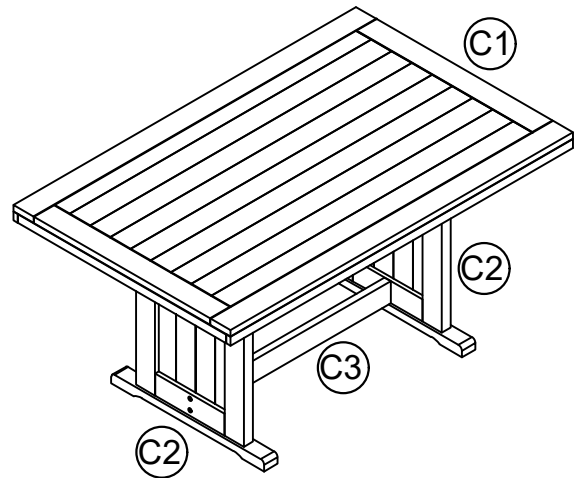
Thank you for purchasing this quality product. Be sure to check all packing material carefully for small parts that may have come loose inside the carton during shipment. Please read all instruction carefully before assembling. For your safety, assembly by two people is recommended.

PARTS INCLUDED:

- (1) Table Top (C1)
- (2) Leg (C2)
- (2) Stretcher (C3)

HARDWARE ENCLOSED:

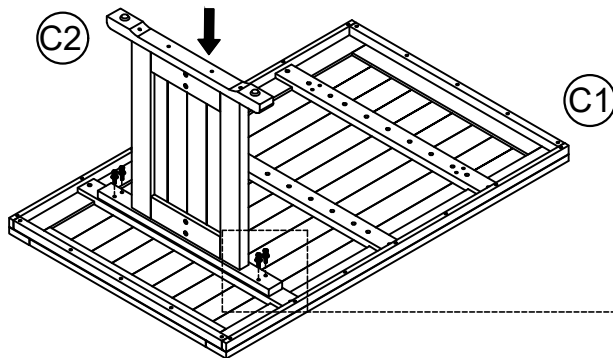
- A x 8  Ø6 x 60mm
- B x 8  Ø6 x 45mm
- C x 1  M4



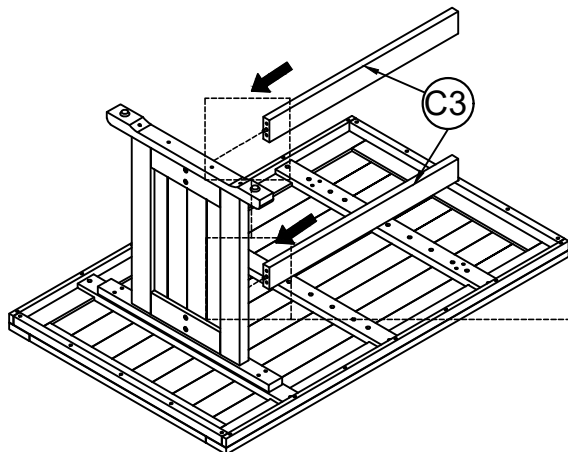
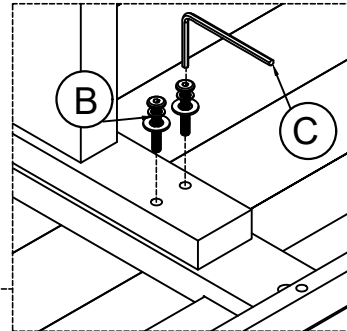
ASSEMBLY INSTRUCTIONS

STEP 1:

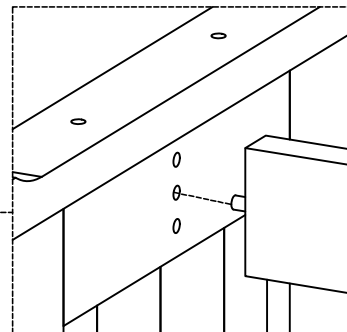
- Carefully place the Table Top (C1) on a smooth flat surface to avoid scratches.
- Attach the one Leg (C2) into Table Top (C1) by mounting the Bolts (B) (See details A). DO NOT fully tighten bolts at this stage.
- Carefully insert the Stretcher (C3) to the Leg (C2) (see Detail B).



Detail A



Detail B

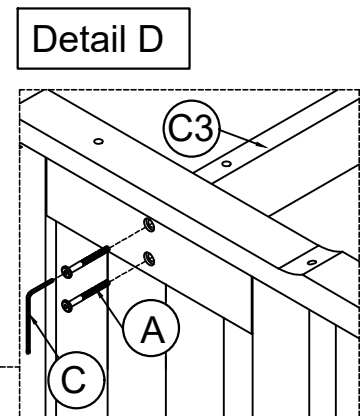
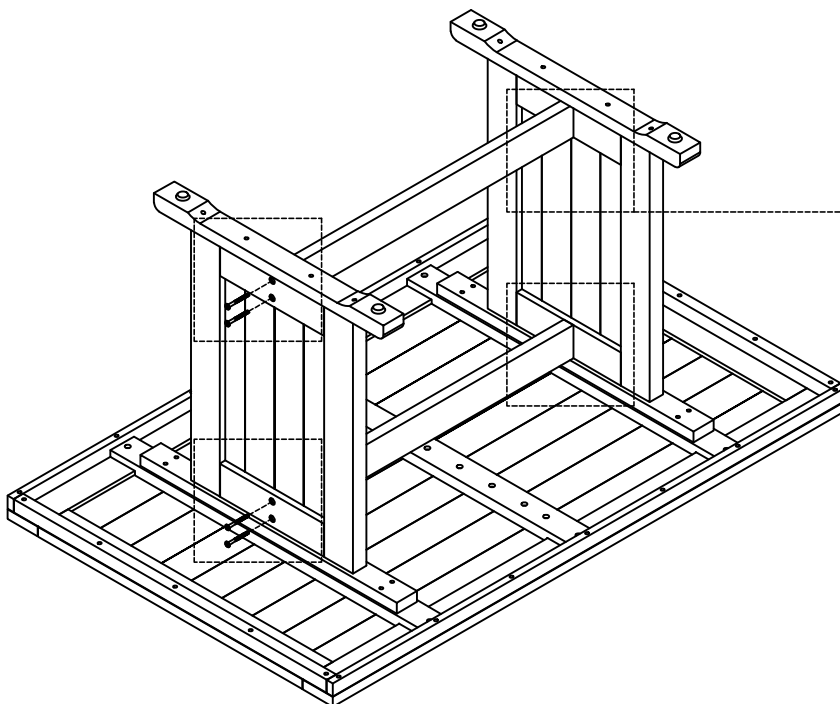
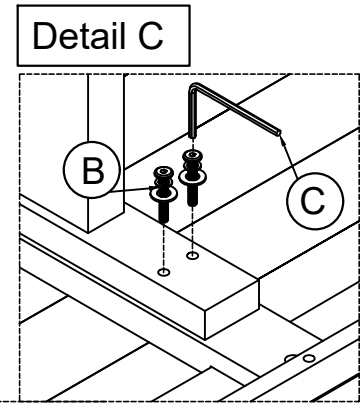
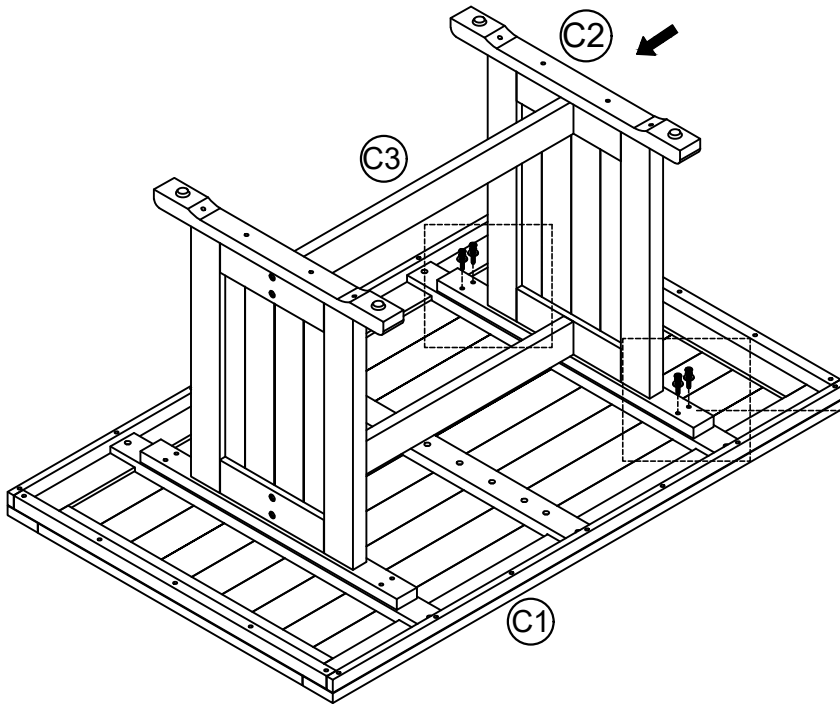


NOTES:

The use of power tools for assembly is not recommended. Power tools can damage hardware or split wood.

STEP 2:

- Attach the remain Leg (C2) into Stretcher (C3) and Table Top (C1).
- Insert Bolt (B) between Legs (C2) and Table Top (C1); Bolt (A) between Legs (C2) and Stretcher (C3) by turning clockwise using Key Wrench (See details C & D)
- Fully tighten at this stage until all parts are in place.



NOTES:

The use of power tools for assembly is not recommended. Power tools can damage hardware or split wood.