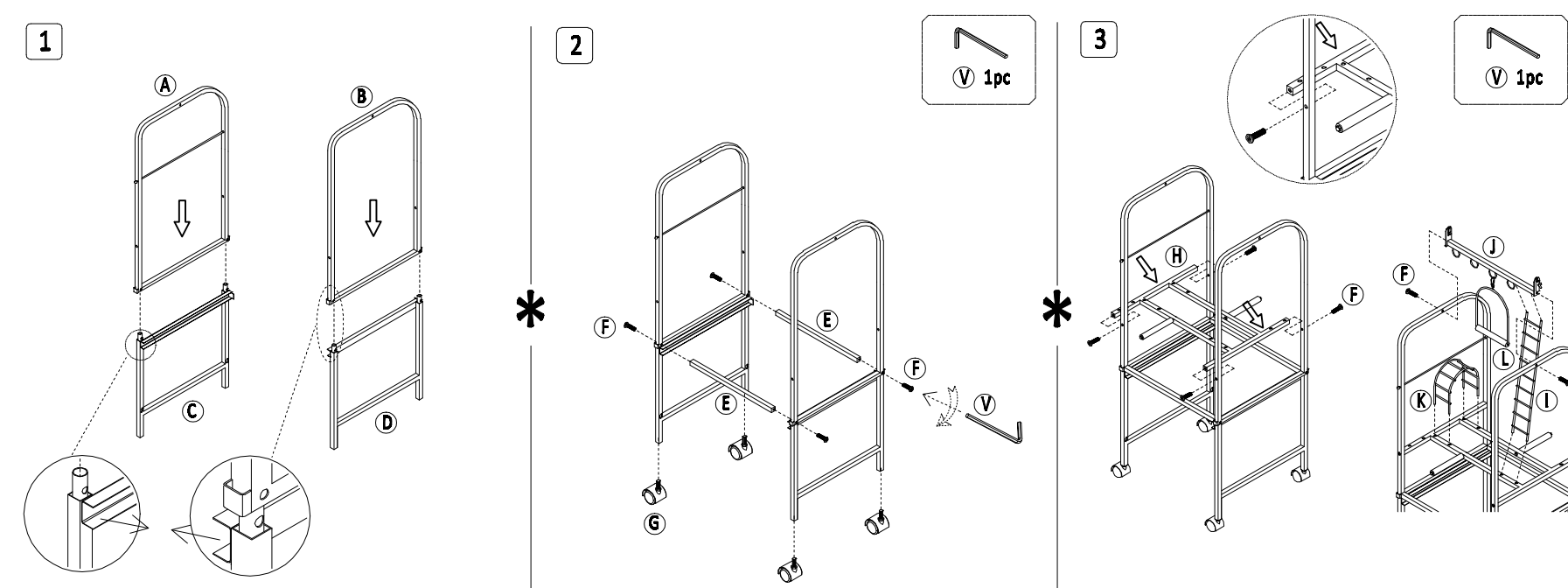
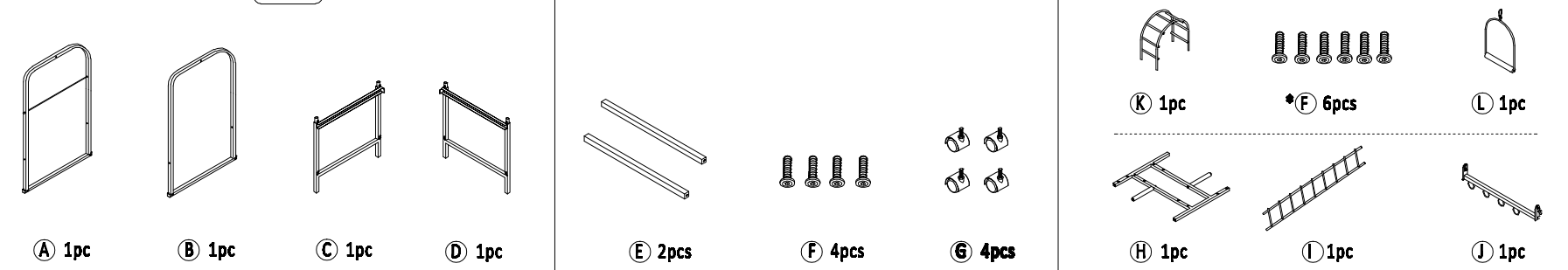


210x297mm

#J2625 Assembly Instructions

Parts



210x297mm

#J2625 Assembly Instructions

Parts

