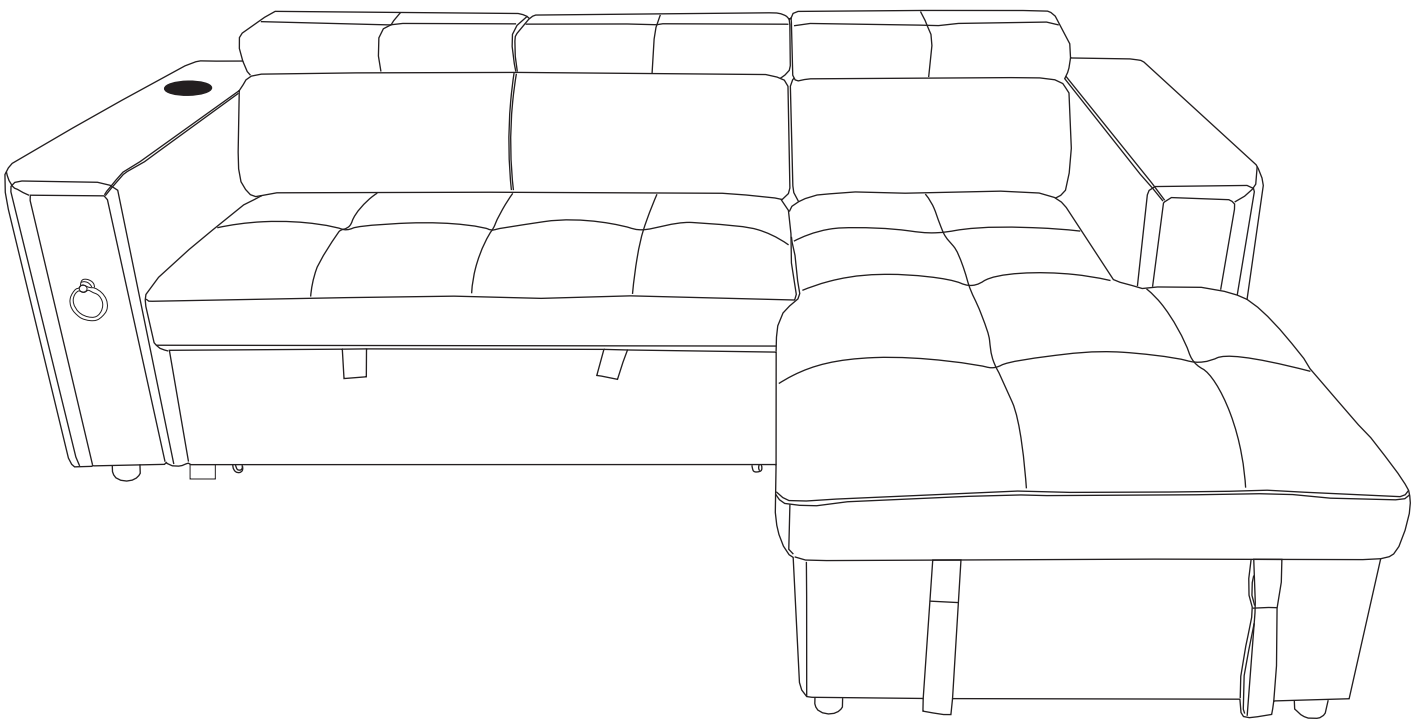
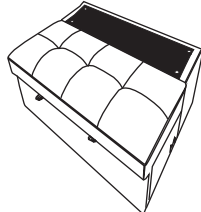
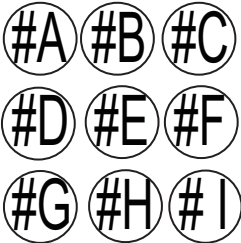
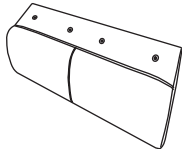
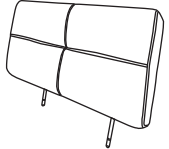
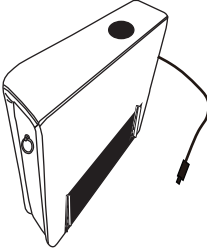
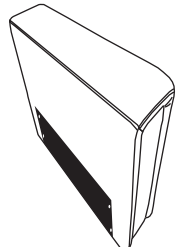
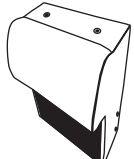
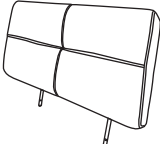


ASSEMBLY INSTRUCTIONS

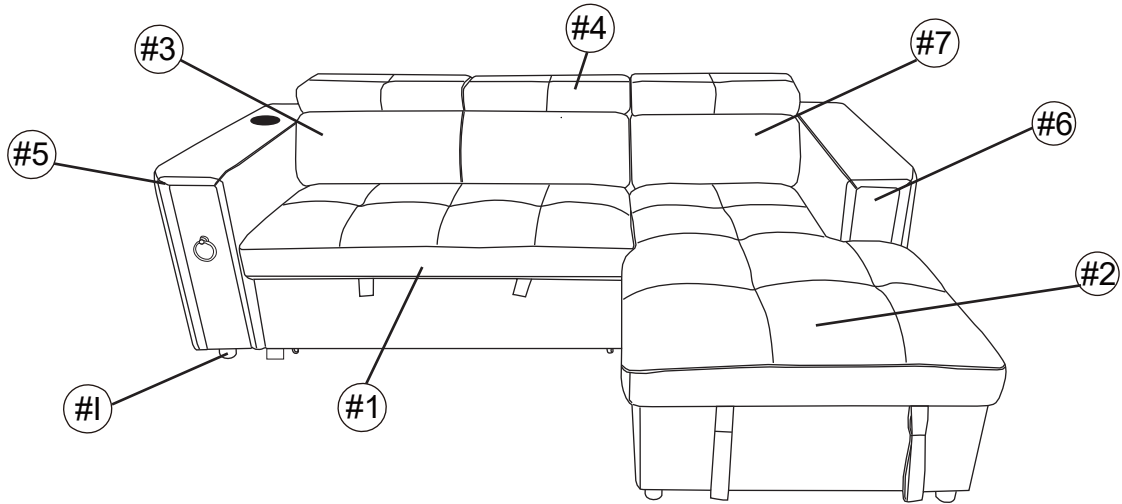


ASSEMBLY INSTRUCTIONS

SOFA is packed in 4 cases

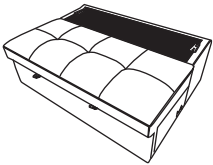
Carton	Disignation	Part		Hardware/Leg
1/4	Sofa seat	#1		
2/4	Chaise seat	#2		
	Sofa backrest	#3		
	Headrest	#4		
3/4	Left arm	#5		
	Right arm	#6		
4/4	Chaise backrest	#7		
	Headrest	#4		

ASSEMBLY INSTRUCTIONS



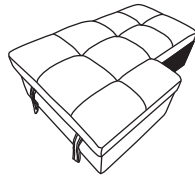
PARTS

#1 1pc



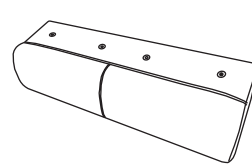
Sofa seat

#2 1pc



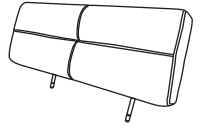
Chaise seat

#3 1pc



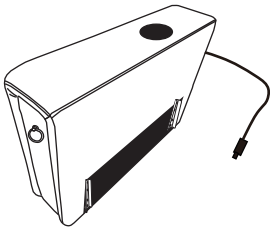
Sofa backrest

#4 3pcs



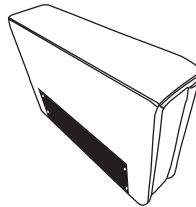
Headrest

#5 1pc



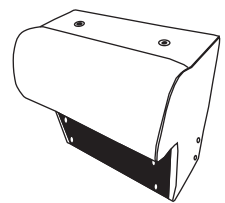
Left arm

#6 1pc



Right arm

#7 1pc



Chaise backrest

HARDWARE/LEG

#A 12 pcs



WHOLE TOOTH SCREW 90mm L

#B 12 pcs



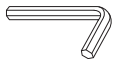
FLAT WASHER 22mm

#C 8 pcs



BOLT 1/4*15mm

#D 1 pc



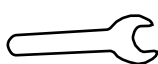
ALLEN KEY 4*59mm

#E 12 pcs



NUT

#F 1 pc



WRENCH

#G 10pcs



PLASTIC FOOT $\phi 60 \times 50 \text{MM.H}$

#I 2pcs



WOOD FOOT 45*45*45MM.H

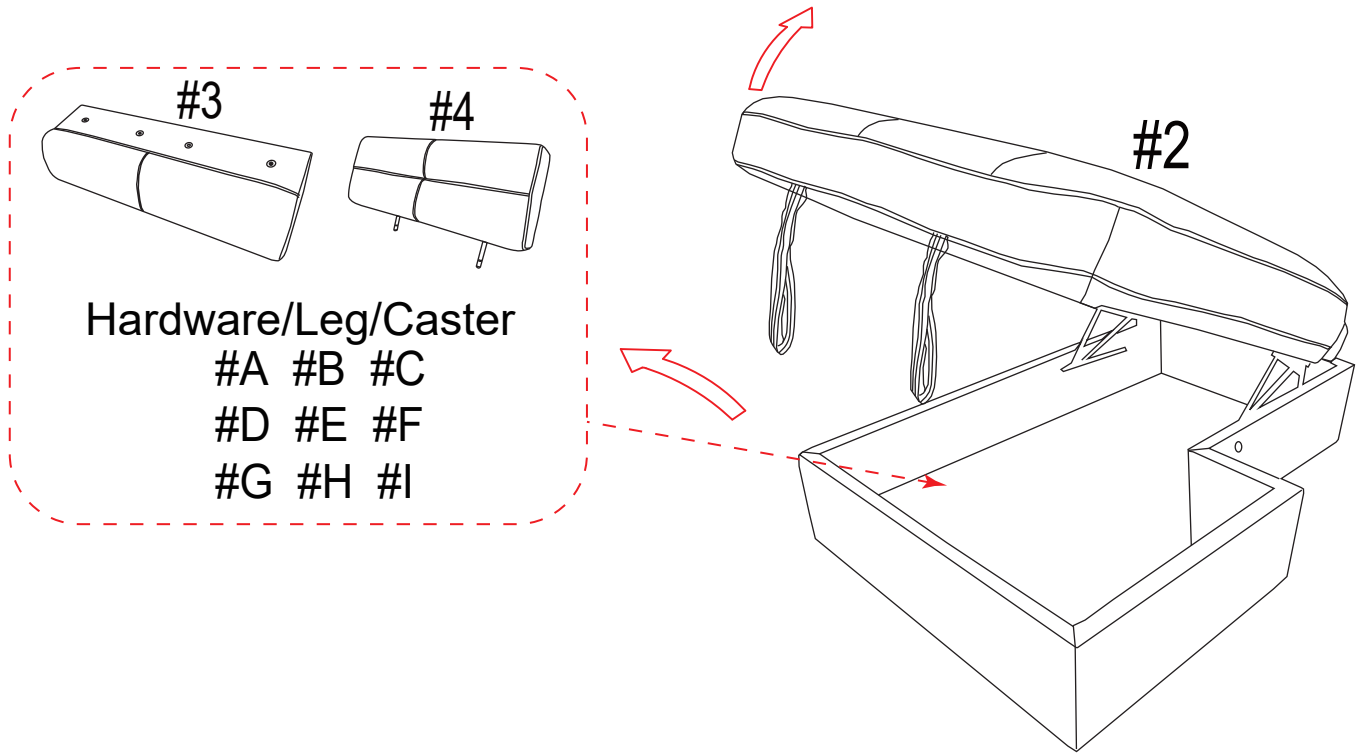
#H 4 pcs



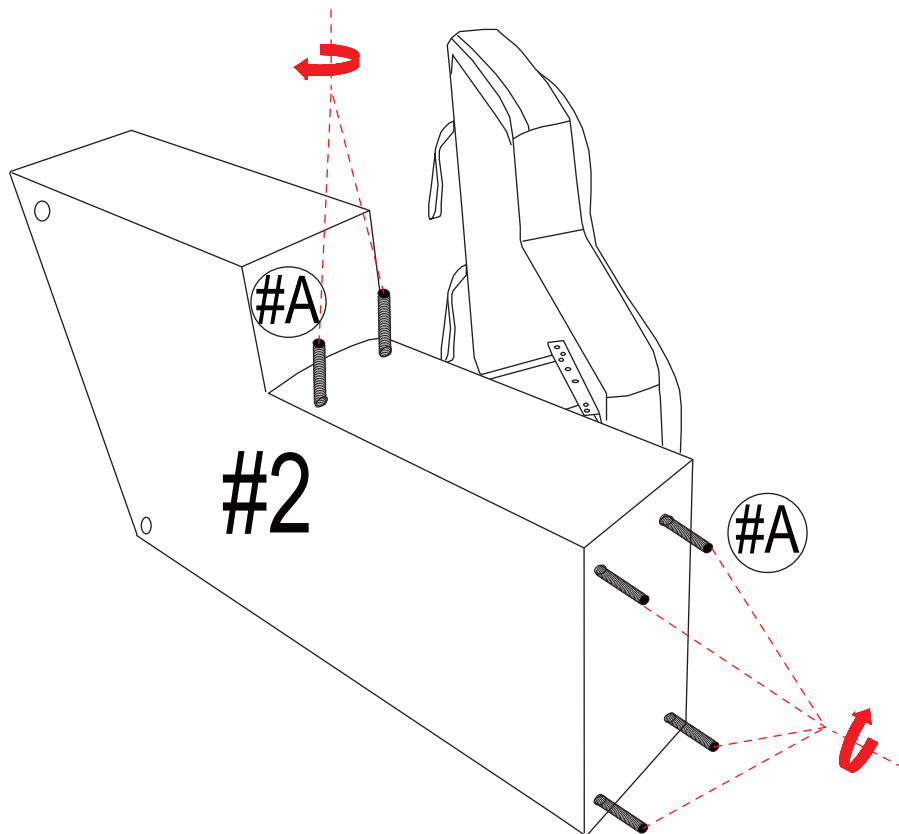
CASTER

ASSEMBLY INSTRUCTIONS

STEP:1

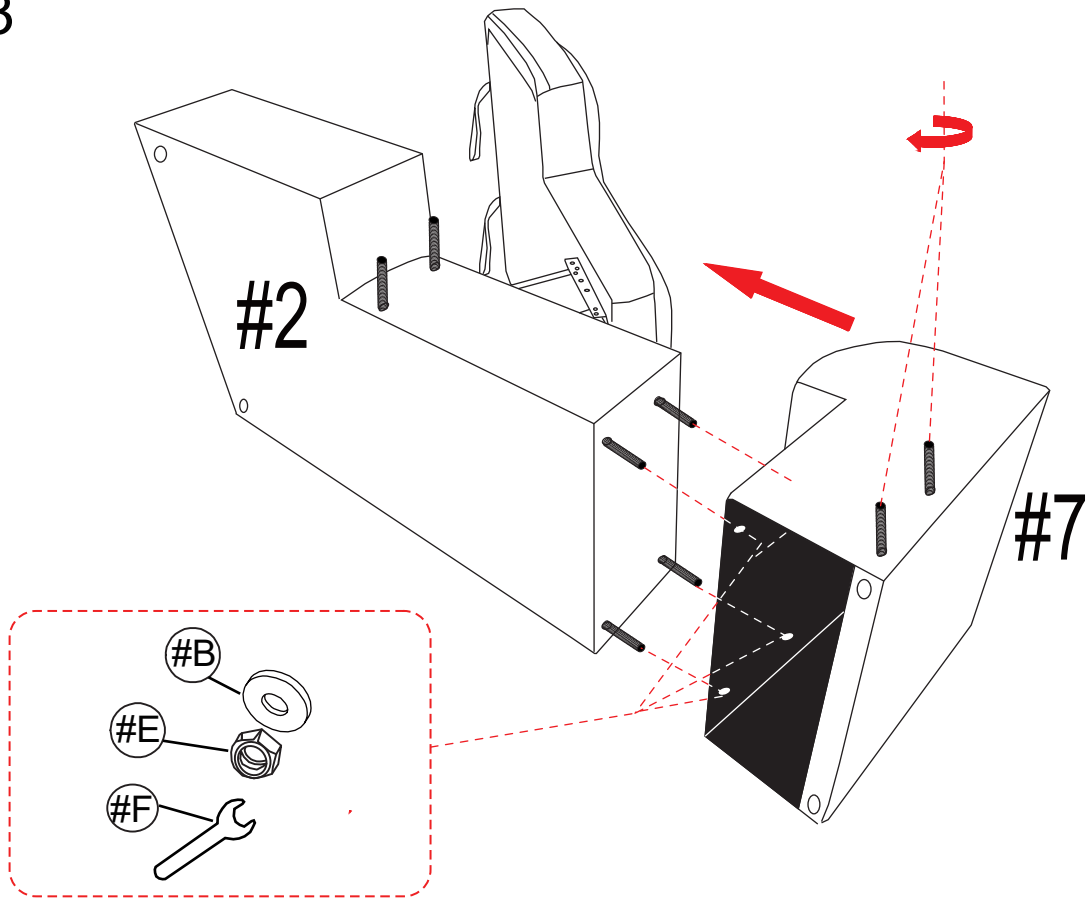


STEP:2

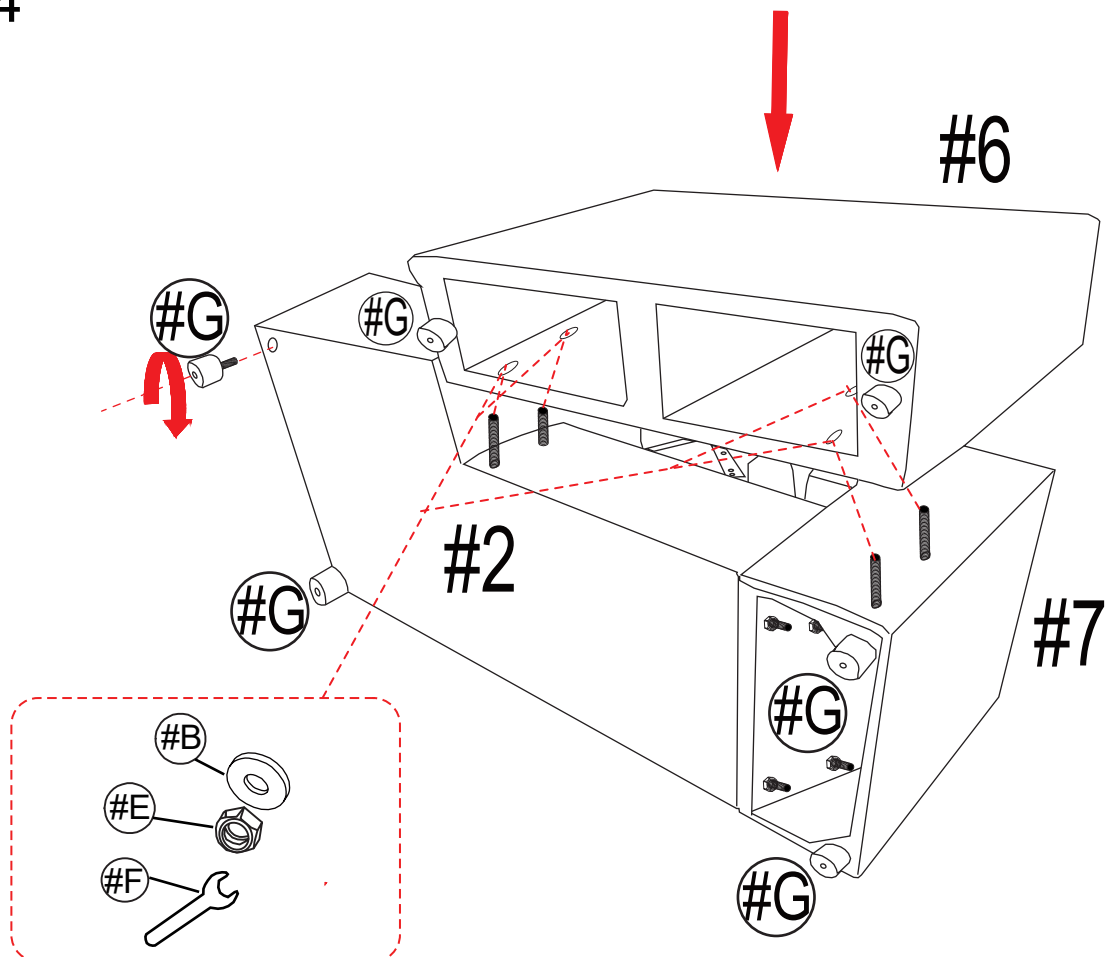


ASSEMBLY INSTRUCTIONS

STEP:3

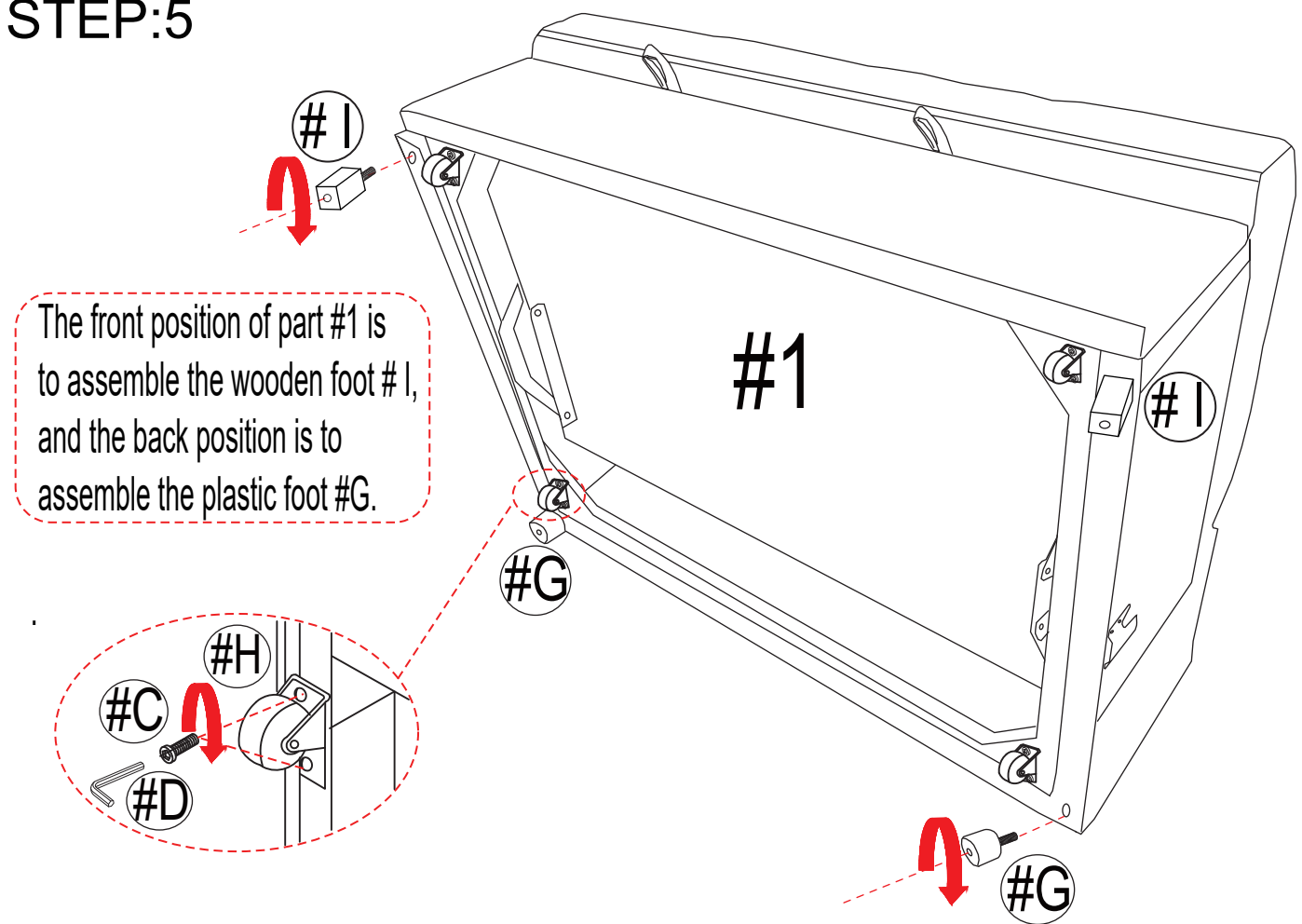


STEP:4

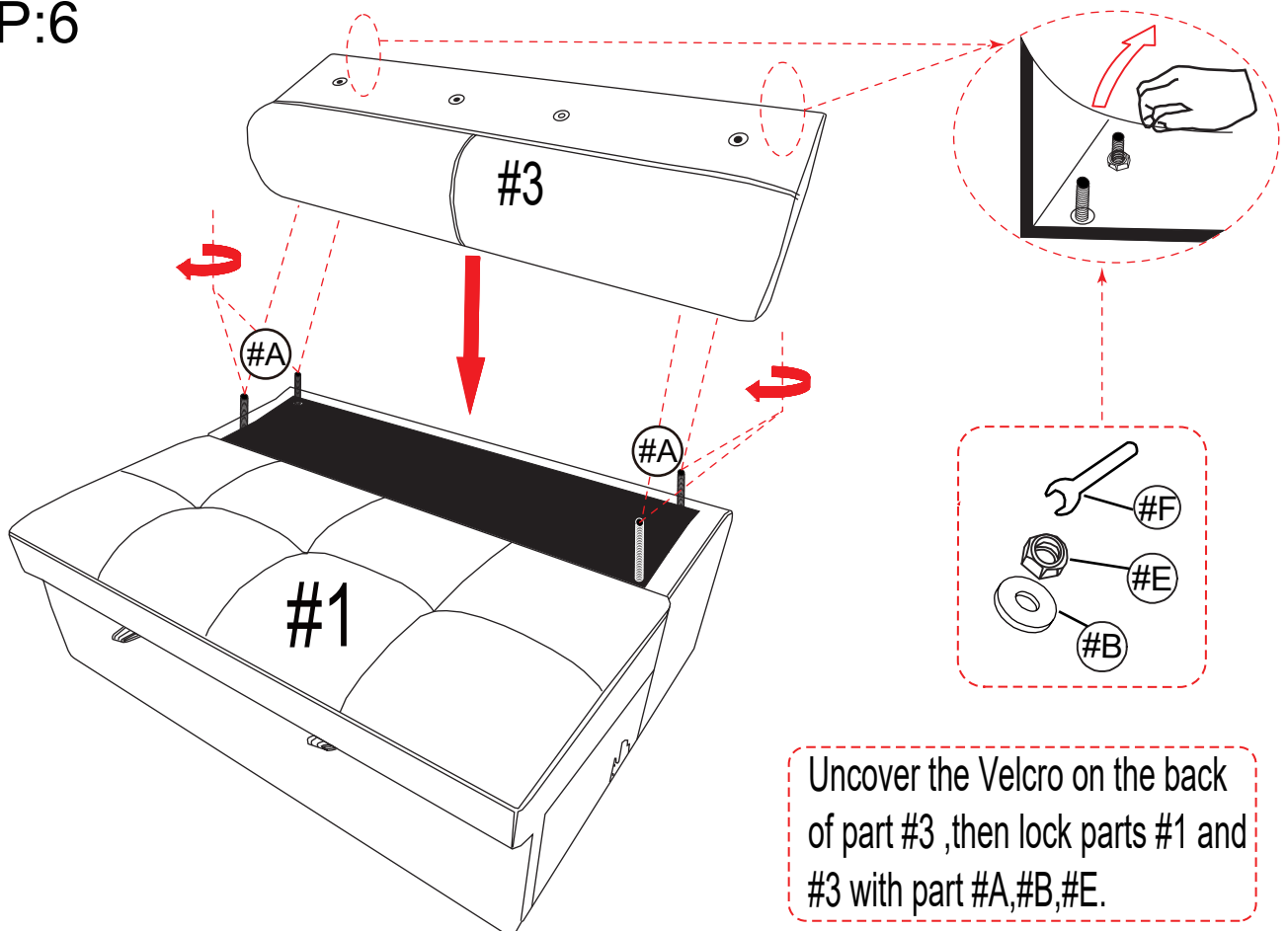


ASSEMBLY INSTRUCTIONS

STEP:5

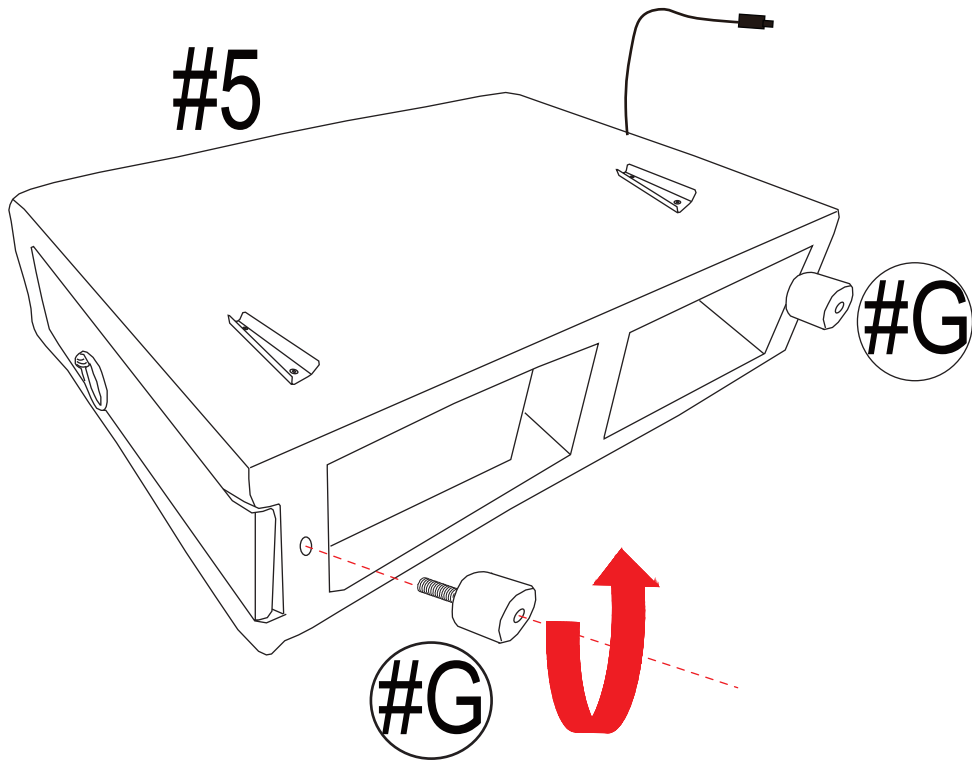


STEP:6

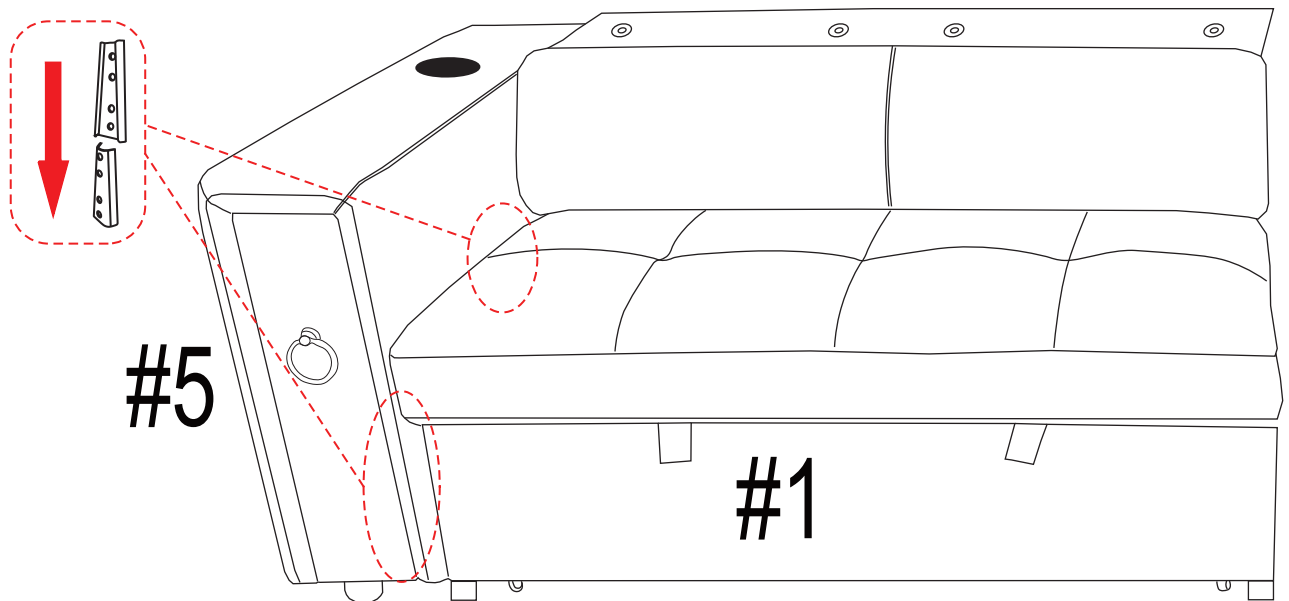


ASSEMBLY INSTRUCTIONS

STEP:7

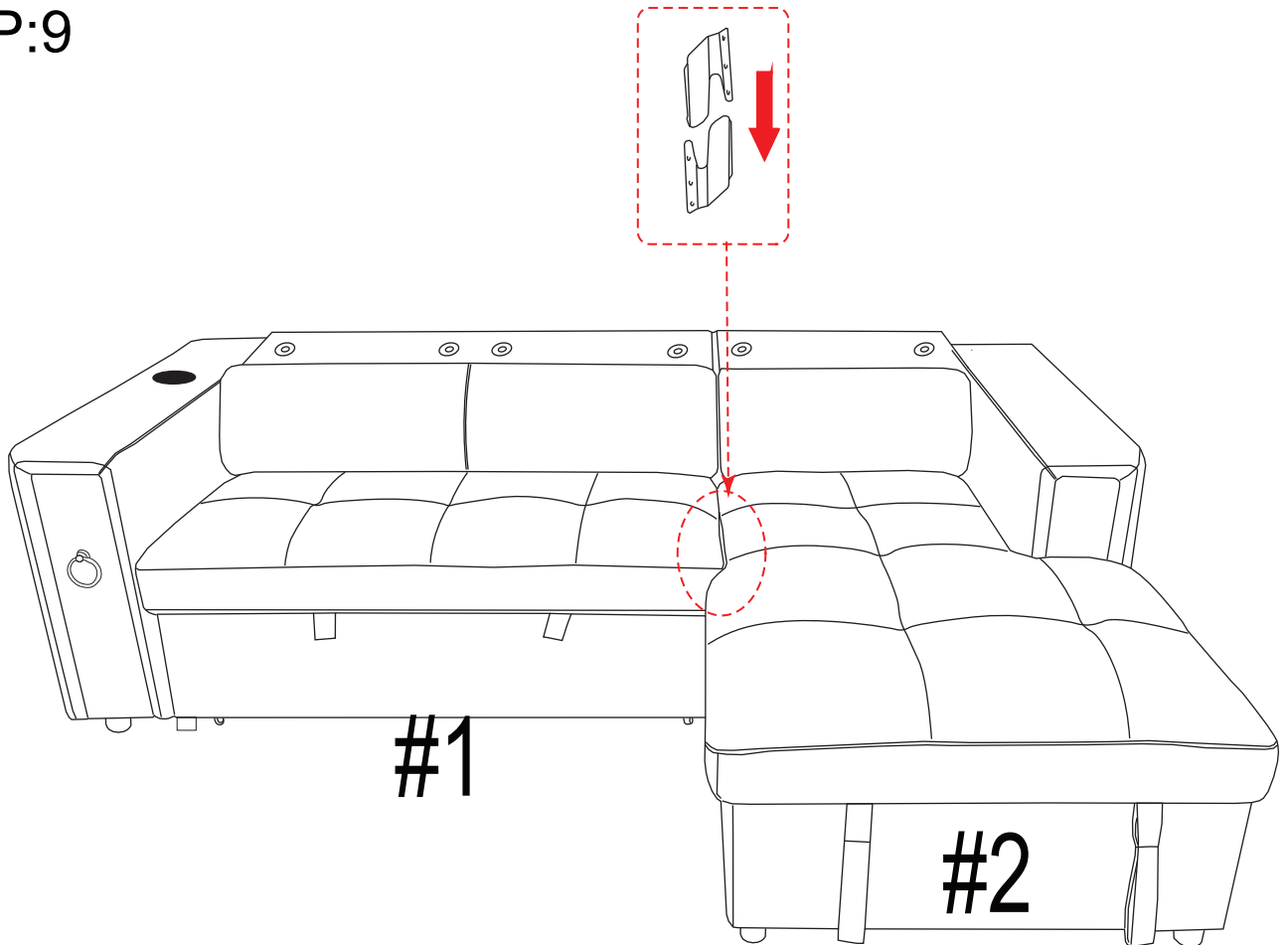


STEP:8

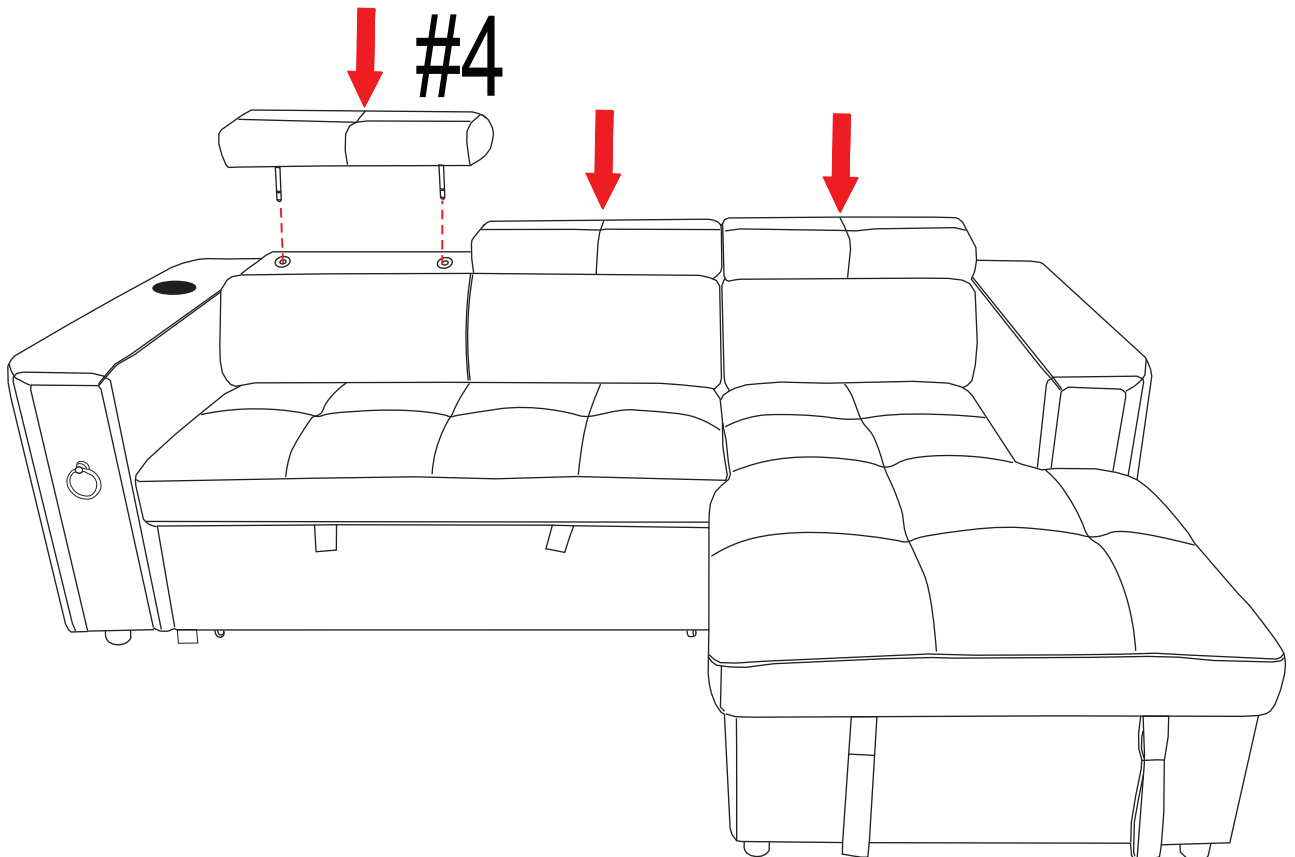


ASSEMBLY INSTRUCTIONS

STEP:9

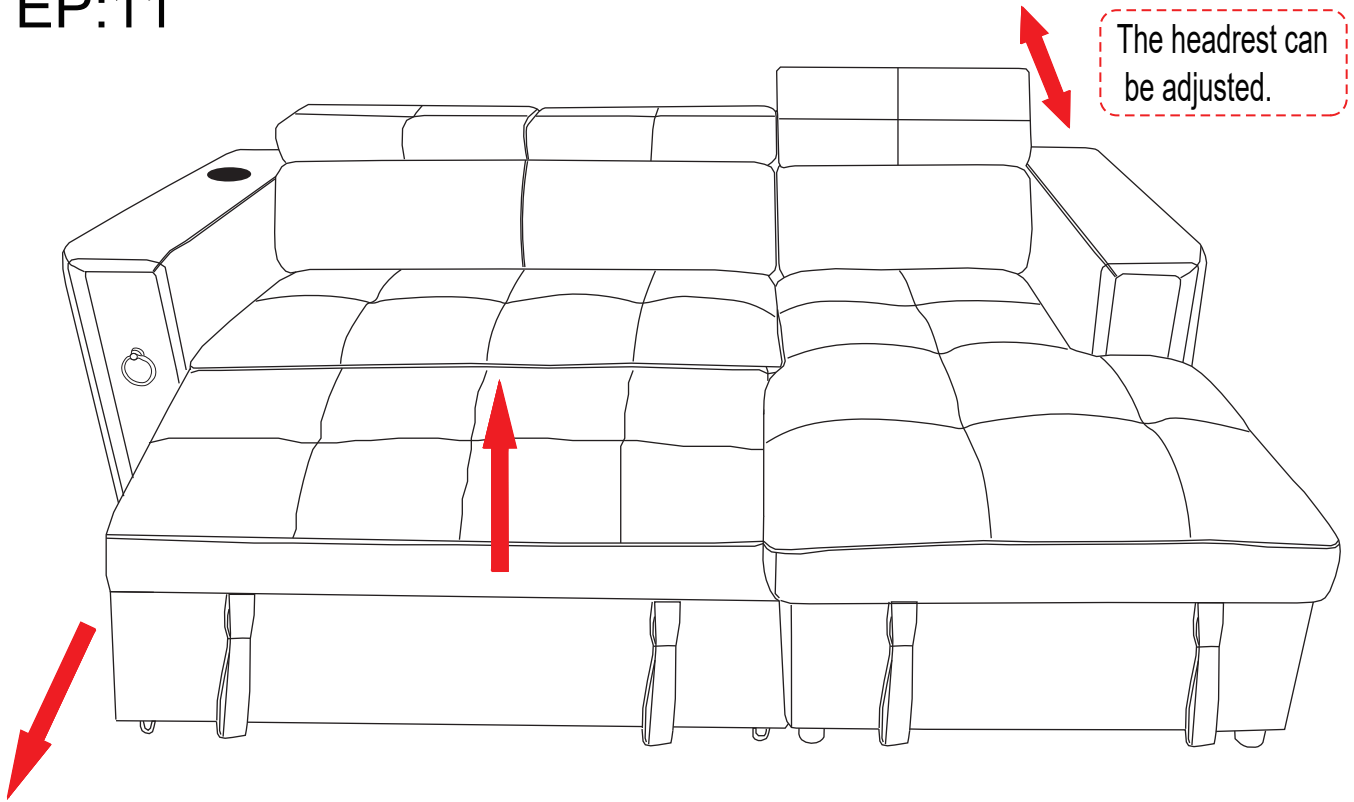


STEP:10



ASSEMBLY INSTRUCTIONS

STEP:11



STEP:12

