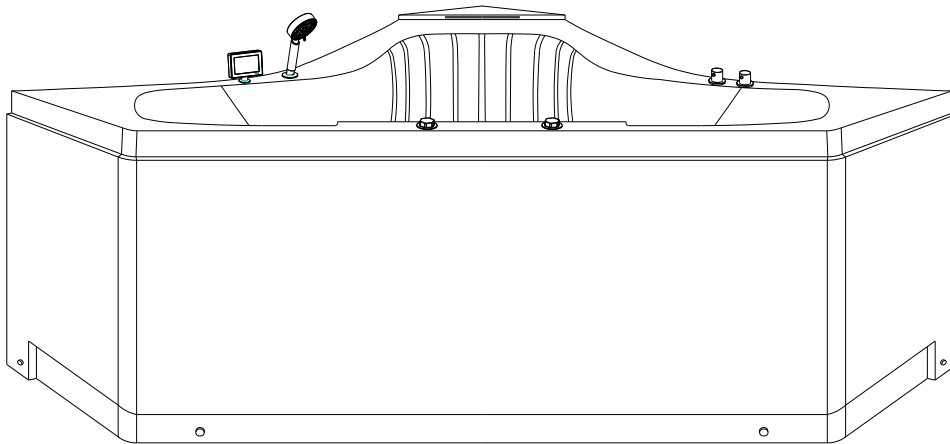


**ARIEL**

---

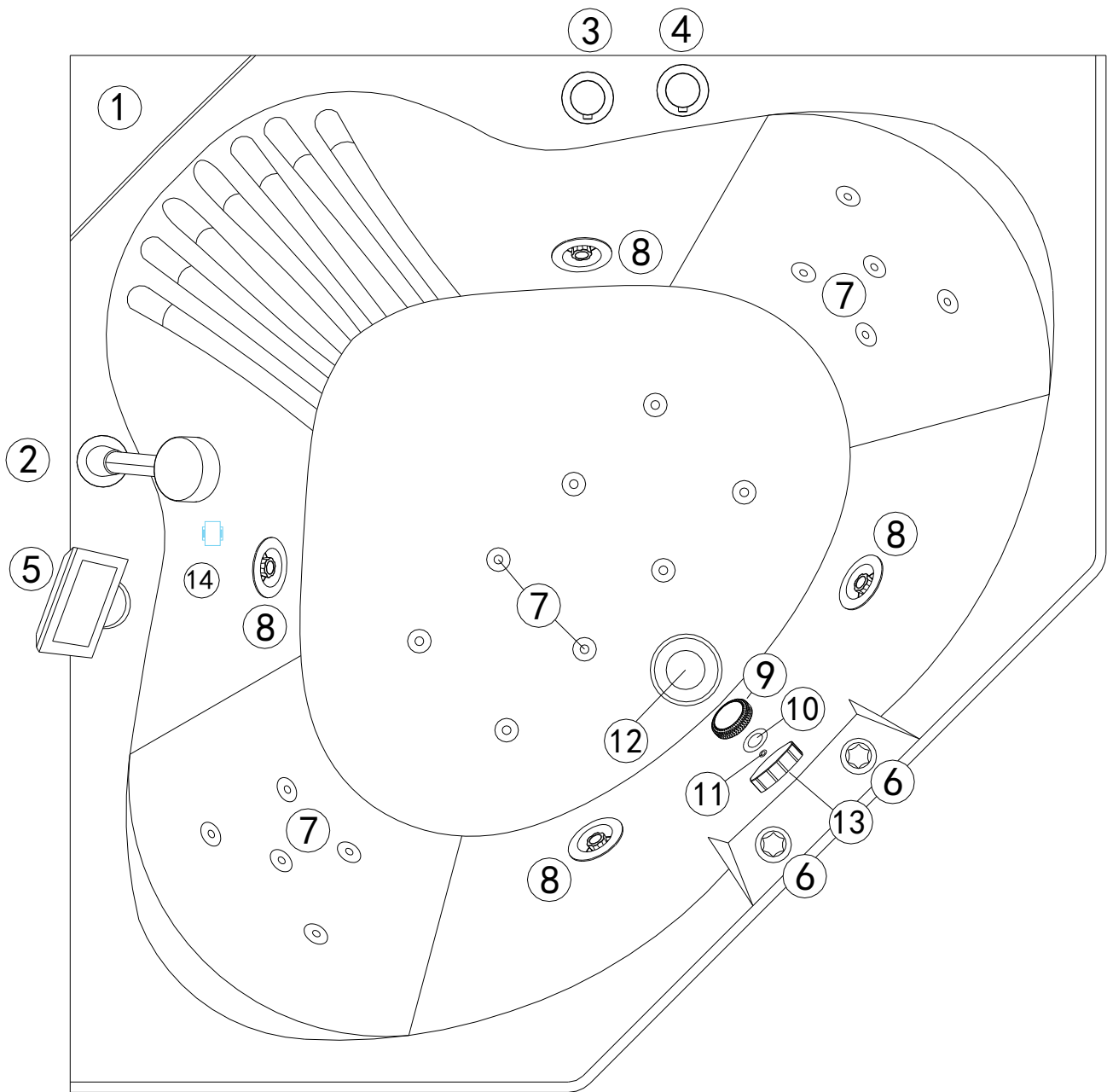
# Whirlpool Installation Manual

**ARIEL**  
**PW1685959CW1**

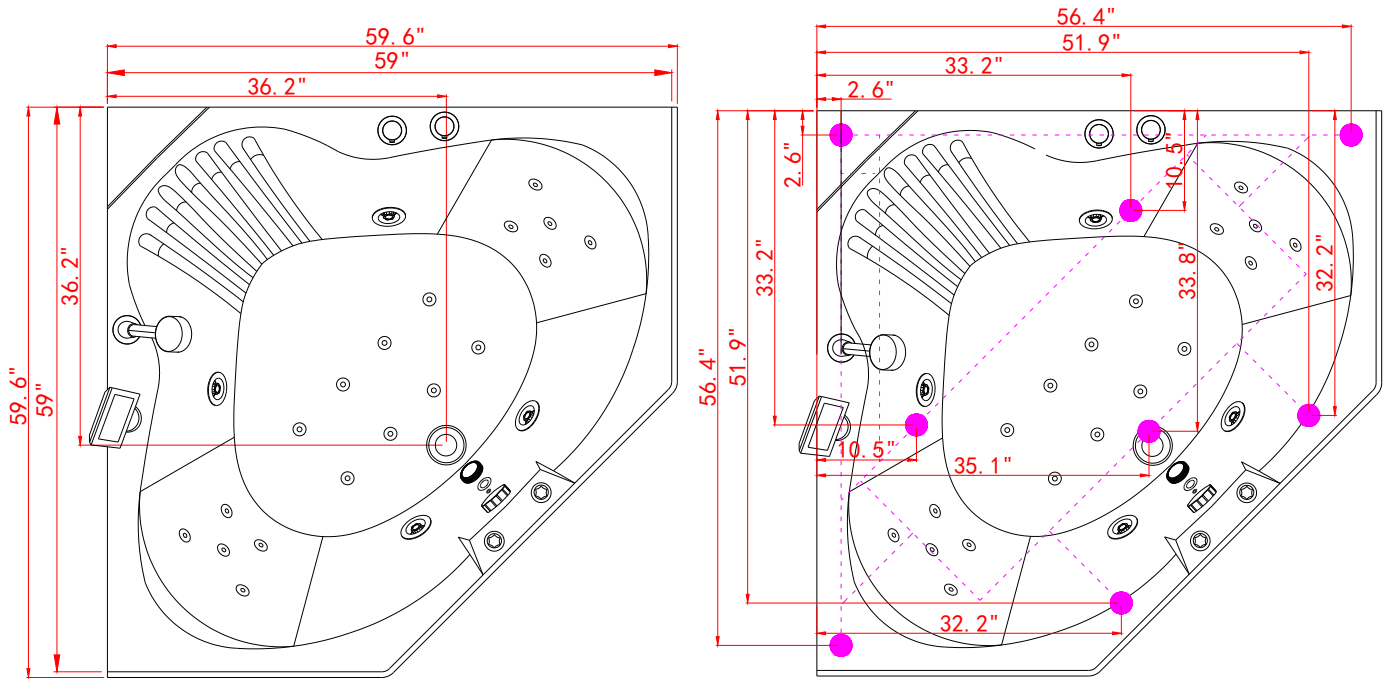


Serial Number:

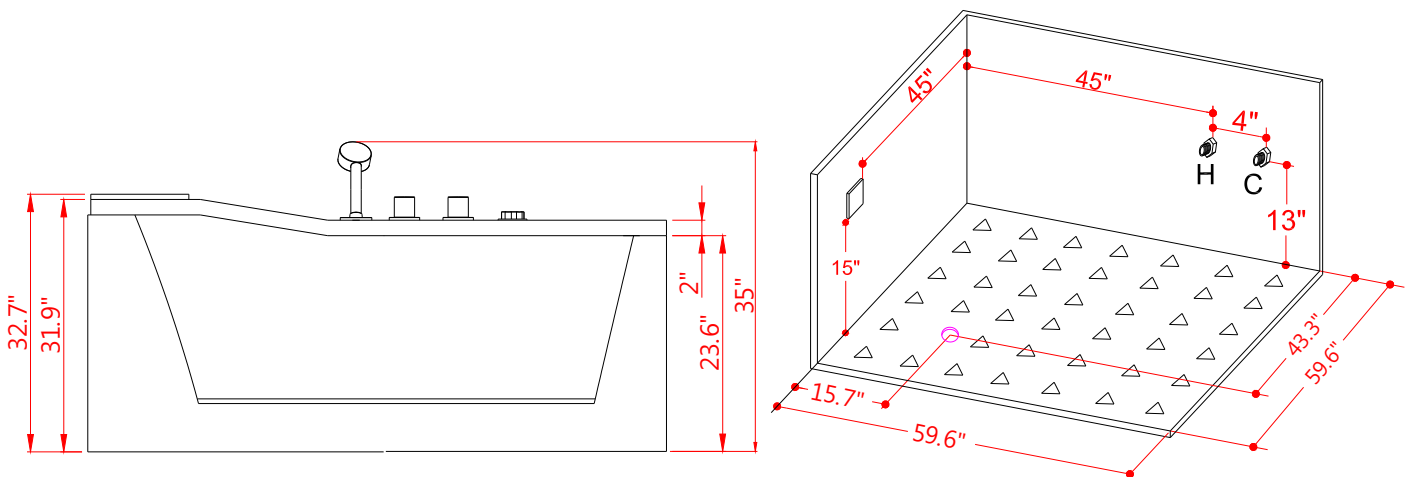
---



No.	English	No.	English
1	Waterfall	8	Multiple Direction Water Jet
2	Shower Wand	9	Water Suction
3	Function Selector	10	LED Underwater Lamp
4	Thermostatic Selector	11	Temperature Sensor
5	Control Panel	12	Drain
6	Air Regulator	13	Overflow Drain & Drain Knob
7	Water Jet	14	Water Level Sensor (Backside)



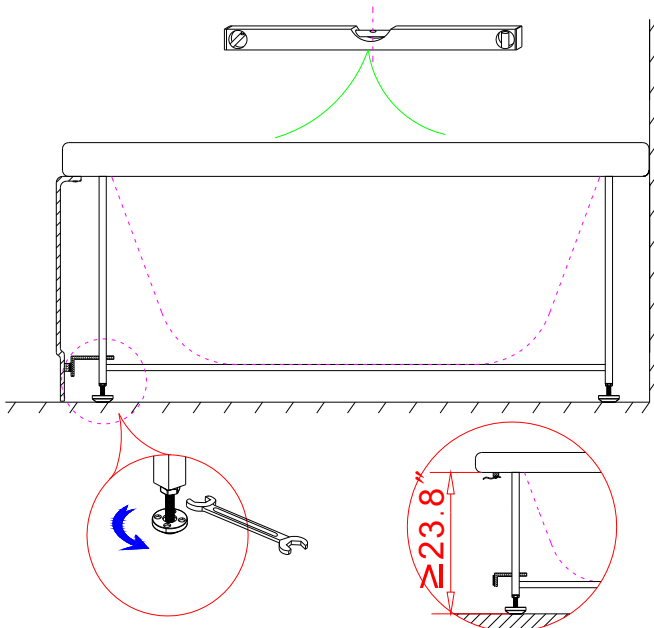
\*Actual Drain-Cutout Location



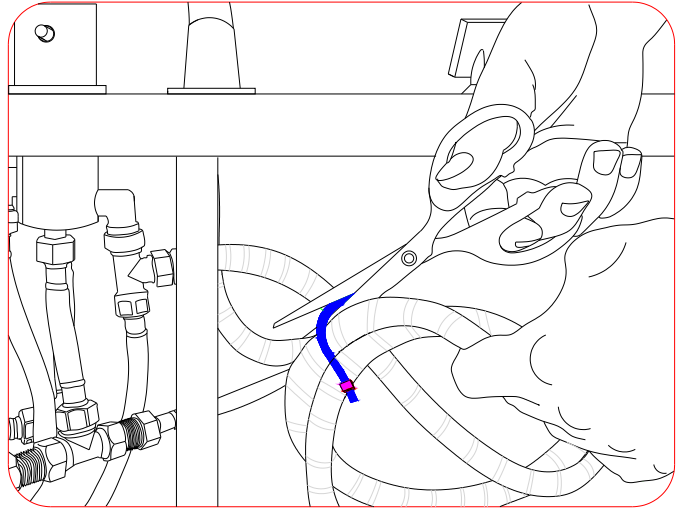
\*Optional: Flex-Drain Drain Location

All measurements are given in Inches  
 Designs and sizes can vary. We accept no liability for errors,  
 manufacturing tolerance and product changes.

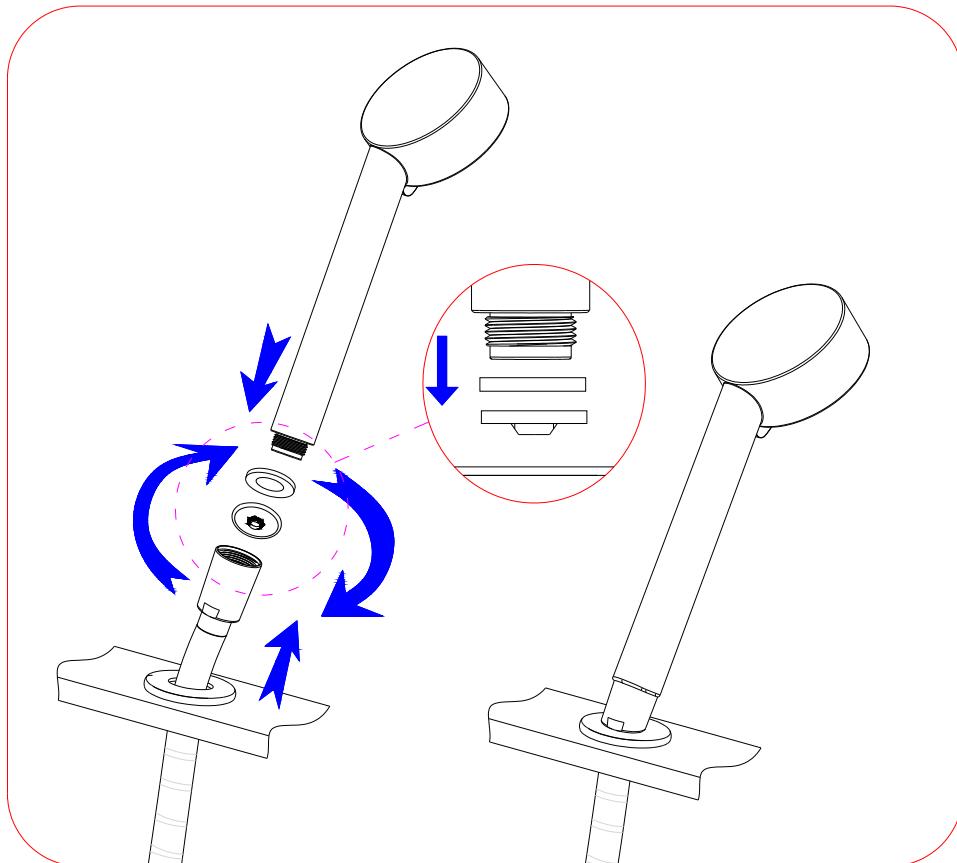
1



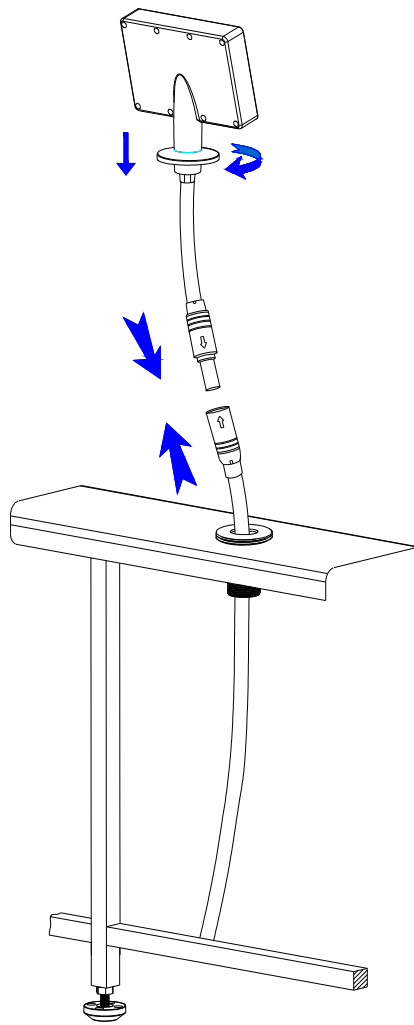
2



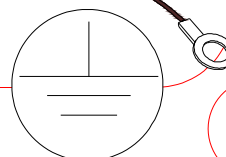
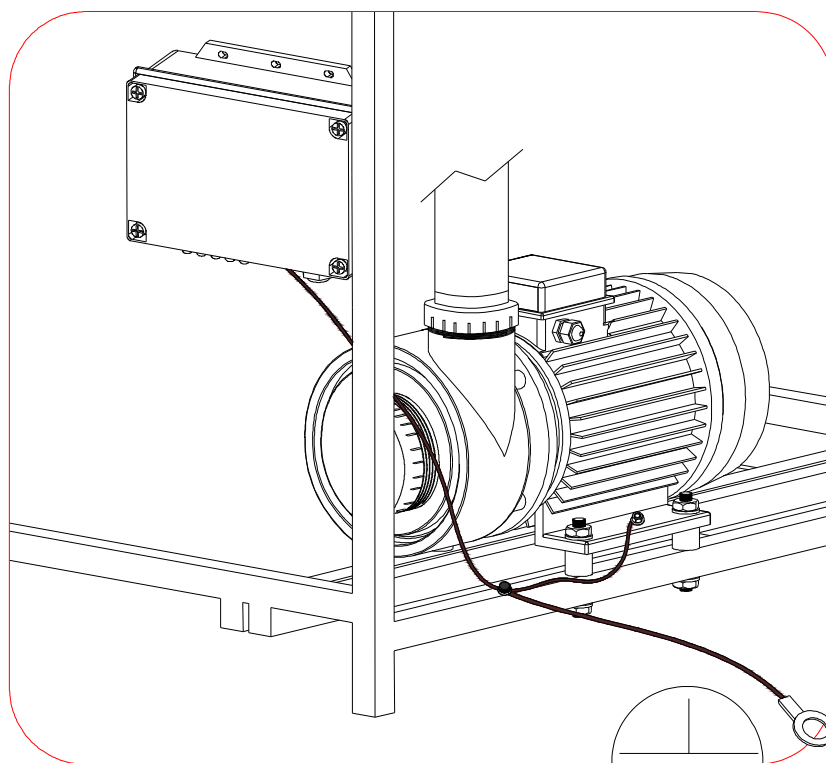
3



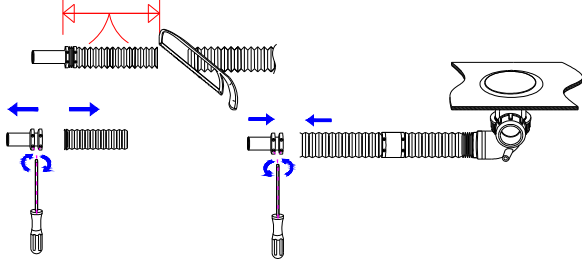
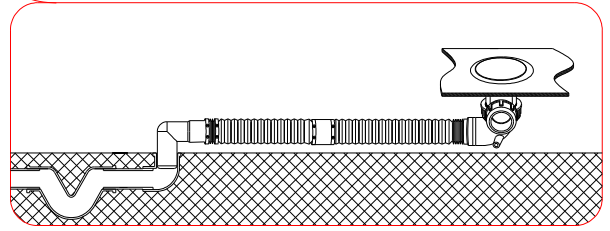
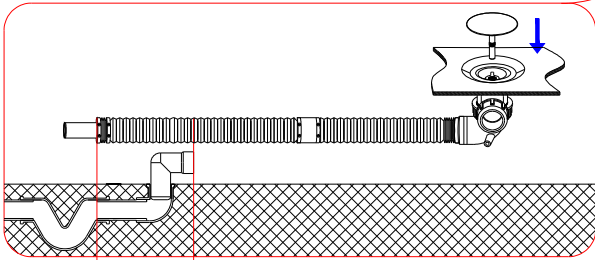
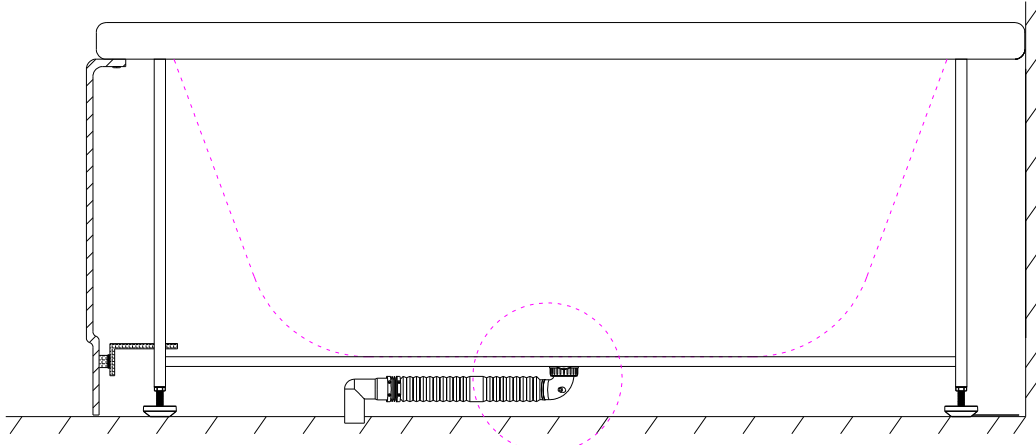
4



5

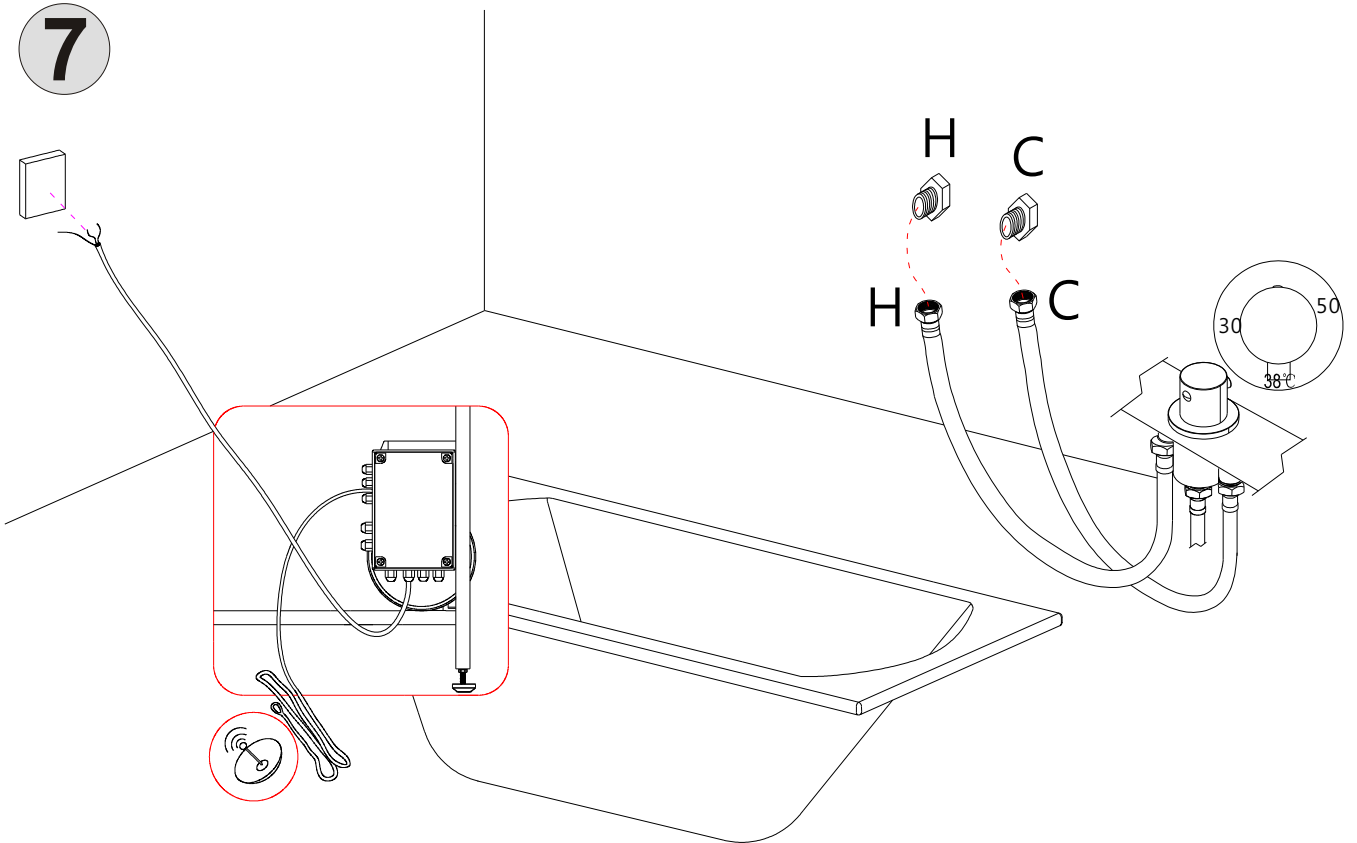


6

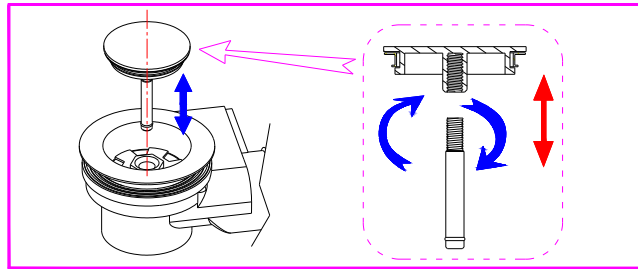
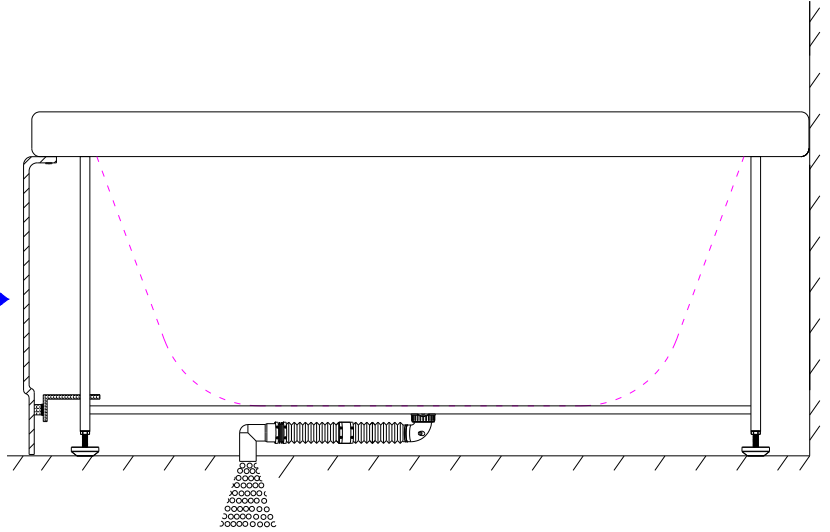
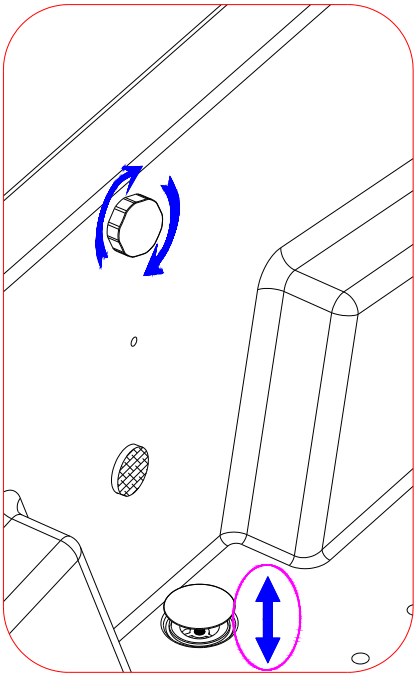


\*Some optional features maybe shown: Flex-Drain Hose

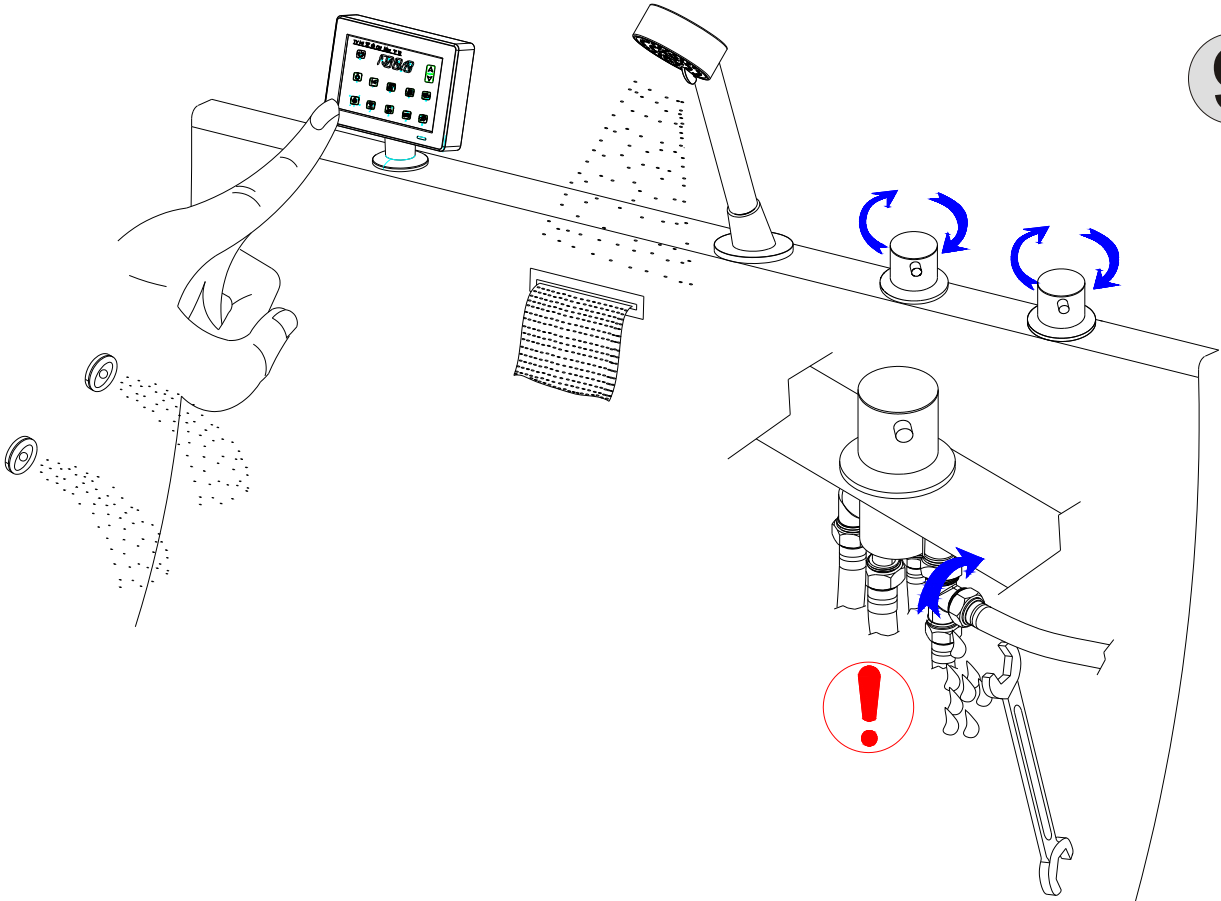
7



8



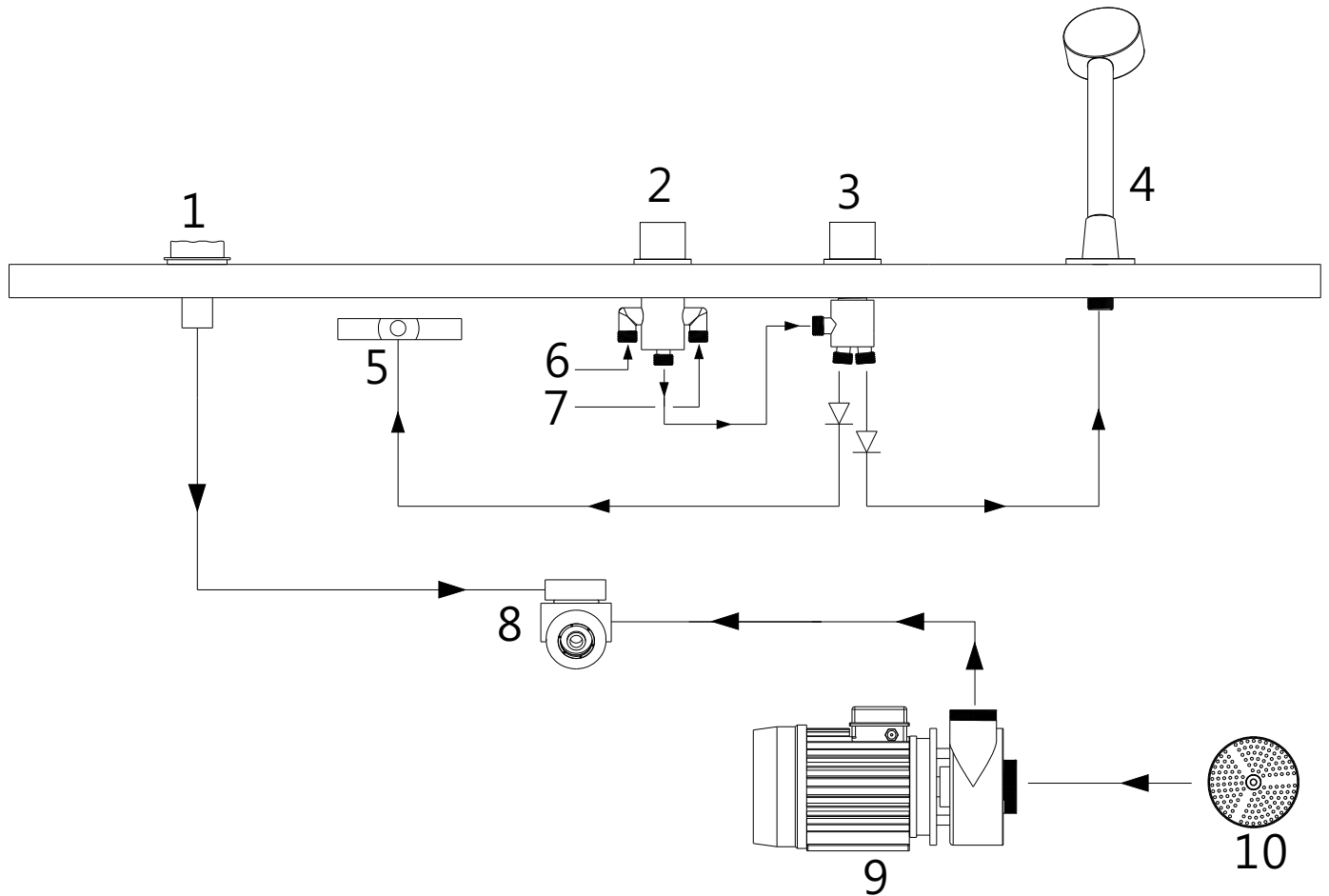
9



# Technical Parameters

Rated Voltage	AC110-120V 60Hz
Rated Current	23.6A
Normal Rated Power	2600W
Recommended Power Service	GFCI-Protected 15A
Water Pipe Dimension	1/2"
Drainage Pipe Dimension	1 1/2" (40mm)
Max. Hot Water Temperature	176°F (80°C)
Recommended Hot Water	149°F (65°C)
Operating Pressure	Max 116 PSI (8 bar / 0.8 mPa)
Recommended Operating Pressure	14.5-72.5 PSI (1-5 bar / 0.1-0.5mPa)

# Flowchart



No.	English	No.	English
1	Air Regulator	6	Cold Water Supply Inlet
2	Thermostatic Selector	7	Hot Water Supply Inlet
3	Function Selector	8	Water jet
4	Shower Wand	9	Water Pump
5	Waterfall	10	Water Suction

# Electrical Wiring Diagram

