

8079

OFFICE CHAIR ♦

BÜROSTUHL ♦

CHAISE DE BUREAU ♦



US • Instruction manual

DE • Bedienungsanleitung

FR • Manuel d'utilisation

CONTENTS

ATTENTION.....	5
PARTS LIST.....	6
ASSEMBLY INSTRUCTION.....	7
INSTRUCTIONS FOR USE.....	14
SAFETY AND MAINTENANCE.....	13
MESSAGE PILLOW CERTIFICATE.....	15
MESSAGE PILLOW INSTRUCTIONS.....	17
LIMITED WARRANTY.....	19

THANK YOU FOR CHOOSING OUR PRODUCT!

**TO ENSURE PROPER USE AND SAFETY, PLEASE READ THIS
MANUAL THOROUGHLY BEFORE OPERATING THE PRODUCT,
AND RETAIN IT FOR FUTURE REFERENCE.**

ATTENTION

- 1. This chair comes in 1 box. Please check the part list carefully to make sure you've received all the parts.**
- 2. If there are any missing parts, please contact us with the part number and quantity, and we will send them to you ASAP.**
- 3. If there are any damaged parts, please contact us with clear pictures or videos, and we will offer you the best solution after confirming the issue.**

Matters needing attention

- 1. If you have health concerns, please consult a doctor before using this product.**
- 2. Patients with heart disease should consult a doctor before use.**
- 3. Do not allow children to use this product alone.**
- 4. Do not use in the same area for more than fifteen minutes.**
- 5. Long-term use can easily cause the product to overheat and shorten its lifespan. If this happens, please stop using it until the product cools down.**
- 6. Do not use this product directly on swollen, inflamed, or decayed skin areas.**
- 7. This product is a non-professional device and cannot be used as a substitute for drug therapy.**
- 8. Do not use before going to bed, as this product has a stimulating effect and can delay falling asleep.**
- 9. Do not use this product while sleeping.**
- 10. This device is not intended for use by individuals with physical disabilities, sensory or mental impairments, or a lack of relevant knowledge and experience, unless someone must be present to guide and be responsible for its safety when using the product.**
- 11. The surface of the appliance heats up, and caution should be taken when using it for those who are not sensitive to heat.**

PARTS LIST

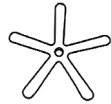
PARTS

A*5



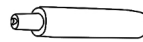
Casters

B*1



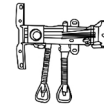
Base

C*1



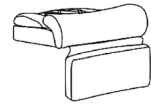
Gas Lift

D*1



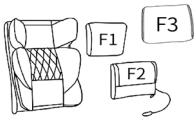
Seat Plate

E*1



Seat Cushion

F*3



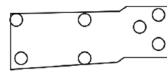
Backrest Set

G*2



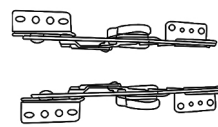
Armrest
(L&R)

H*1



Backplane

I*2

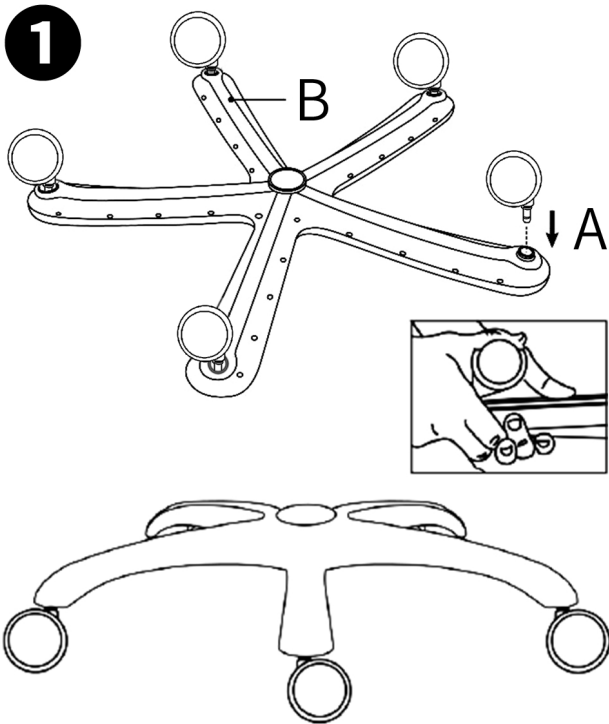


Hinges
(L&R)

Hardware

J*4 M6*25mm	K*8 M6*20mm	L*4 M6*30mm	M*3 M8*20mm	N*4 M8*40mm
O*4 Plastic cap	P*1 Wrench			

ASSEMBLY INSTRUCTION

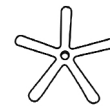


1. Casters Installation

- Turn **B** to its reverse side.
- Insert **A** vertically into **B**.
- Apply firm pressure to ensure a secure fit.

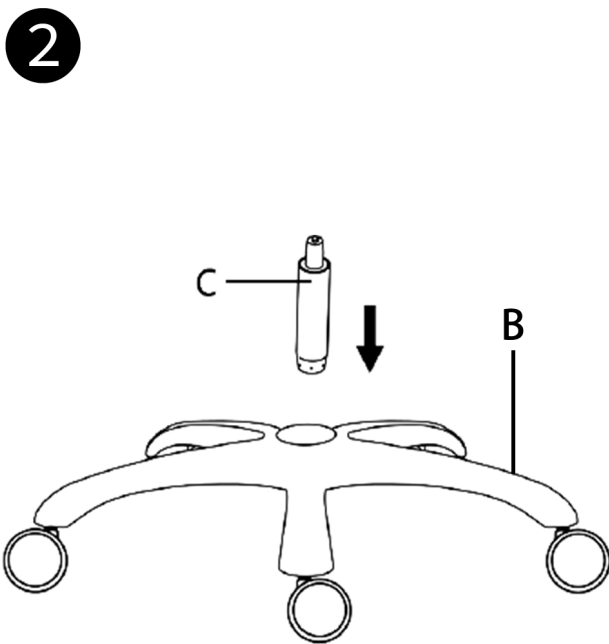


A*5
Casters



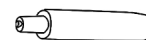
B*1
Base

⚠ Note: A strong installation force may be required.



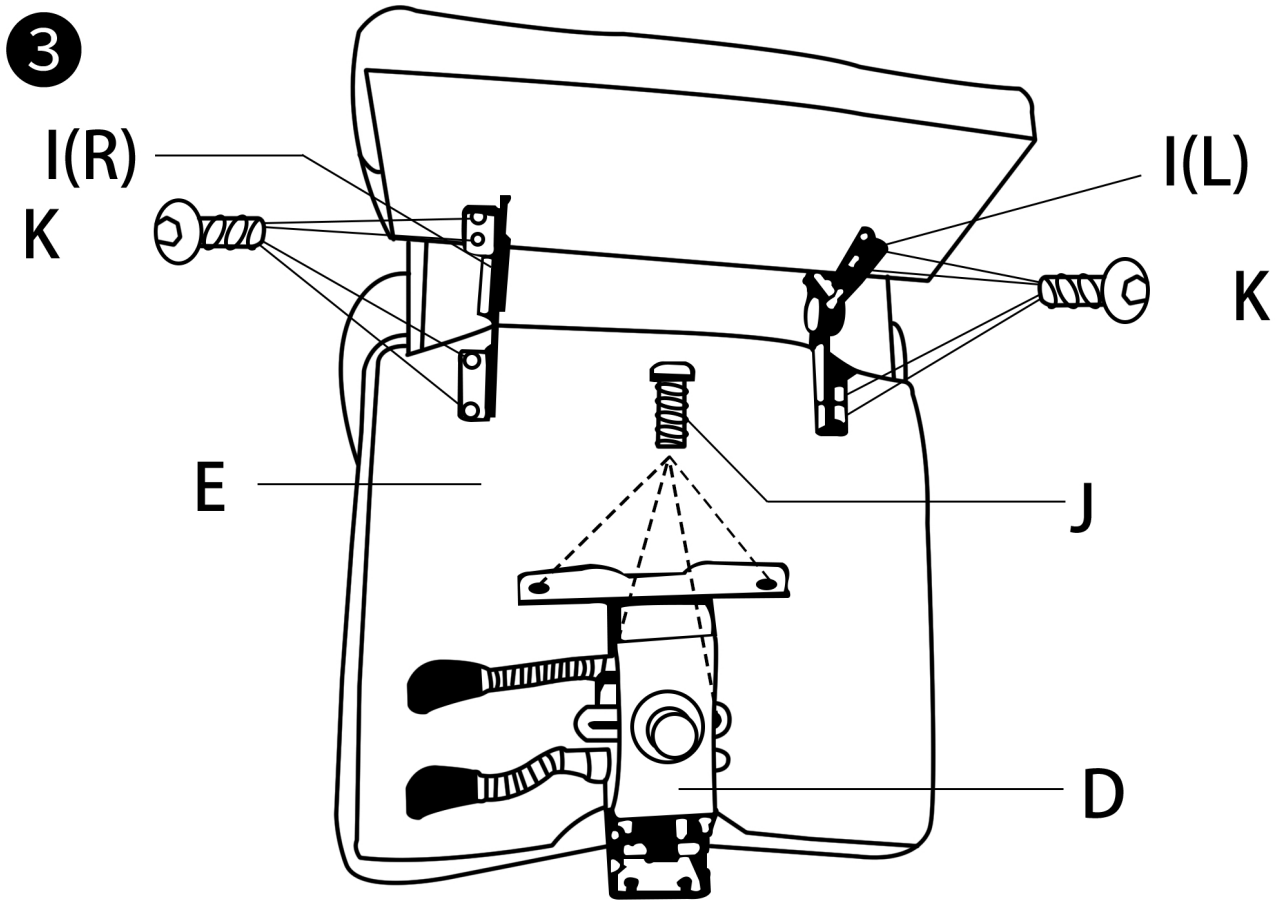
2. Gas Lift Installation

- Insert **C** vertically into the center hole of **B**.



C*1
Gas Lift

ASSEMBLY INSTRUCTION

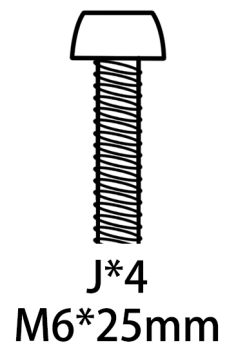
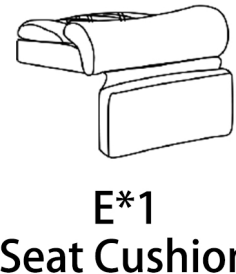
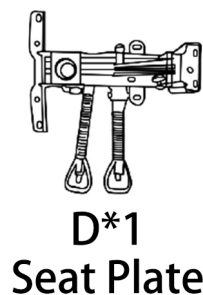
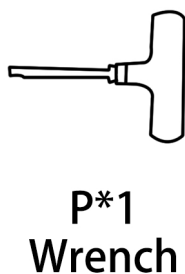
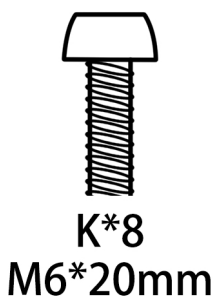


3.1 Footrest & Seat Assembly

- Attach footrest & seat using **K*8**.
- Tighten with **P**.

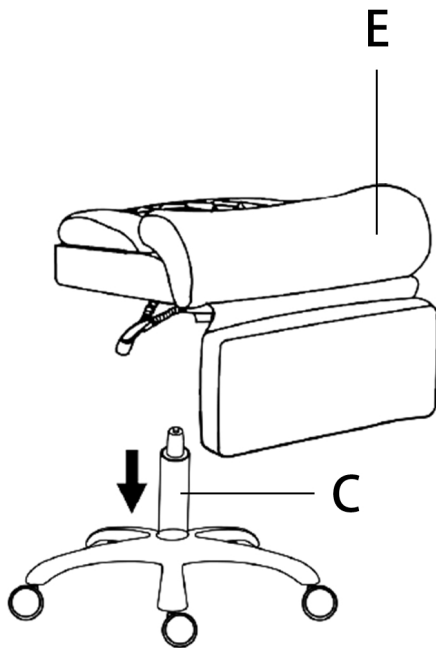
3.2 Attach Seat Cushion E to Seat Plate D

- Align the screw holes on the underside of **E** with the holes on **D**.
- Secure with **J*4**.
- Tighten with **P** until fully secured.



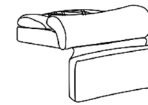
ASSEMBLY INSTRUCTION

4



4. Seat Cushion Installation

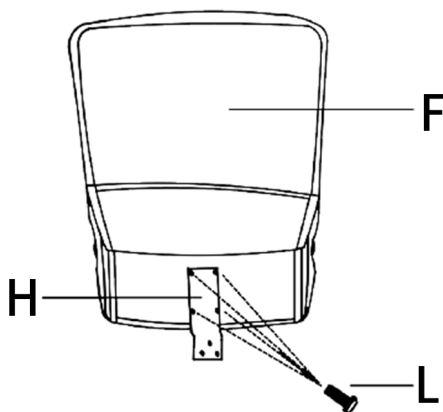
- Align the holes on **E** with the top of **C**.
- Insert **E** vertically onto **C**.



E*1
Seat Cushion

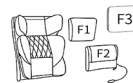
⚠ Note: Ensure it is firmly seated.

5



5. Backrest Installation

- Align the holes on **F** with the holes on **H**.
- Use **L*4** to secure the connection.
- Tighten securely using **P**.



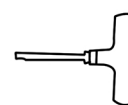
F*3
Backrest Set



H*1
Backplane



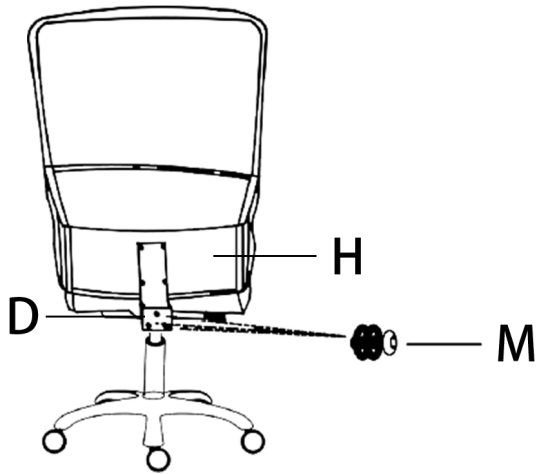
L*4
M6*30mm



P*1
Wrench

ASSEMBLY INSTRUCTION

6

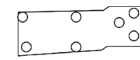


6. Combine Seat and Backrest

- Align the holes on **H** with the holes on **D**.
- Use **M*3** to fasten the connection.
- Tighten securely using **P**.



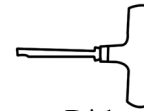
D*1
Seat Plate



H*1
Backplane



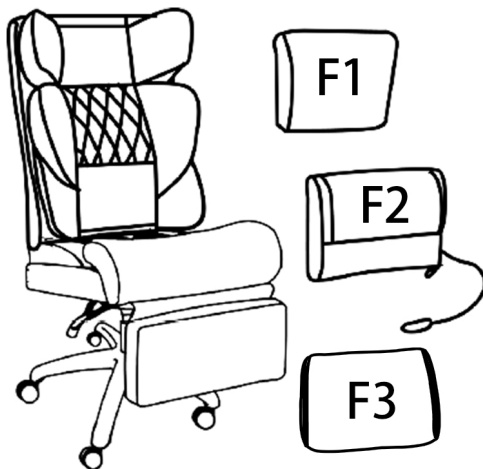
M*3
M8*20mm



P*1
Wrench

⚠ Note: Ensure all components are securely fitted.

7

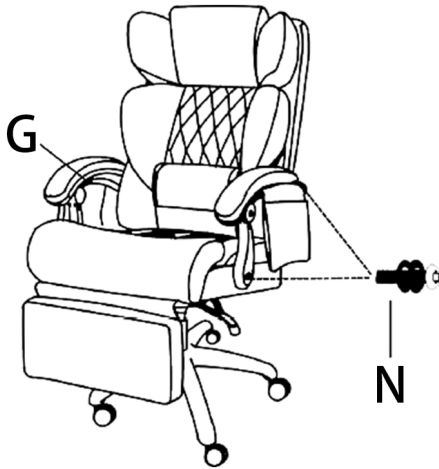


7. Headrest & Massager Installation

- Attach **F1/F2/F3** to the backrest as needed according to your liking.

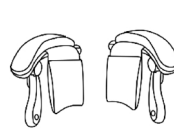
ASSEMBLY INSTRUCTION

8



8. Armrest Installation

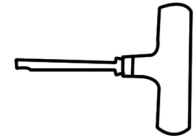
- Align **G** with the designated mounting points on the Main Frame.
- Secure using **N*4**.
- Tighten firmly using **P**.



G*2
Armrest
(L&R)

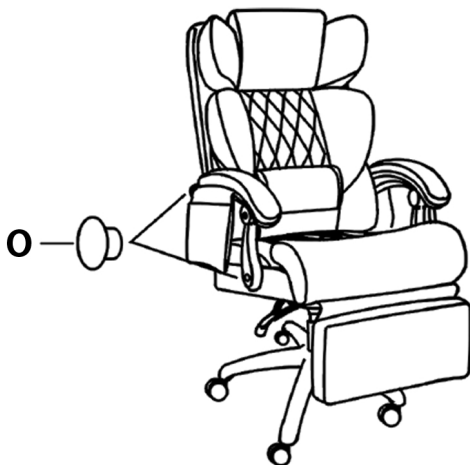


N*4
M8*40mm



P*1
Wrench

9



9. Plastic Caps Installation

- Insert **O*4** into the designated holes on the armrests.



O*4
Plastic cap

⚠ Note: Press firmly until fully seated.

ASSEMBLY INSTRUCTION

10

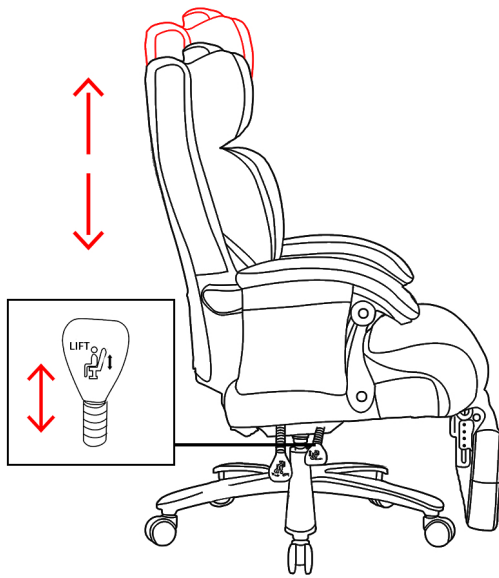


Congratulations!

You have successfully completed the assembly of your office chair.

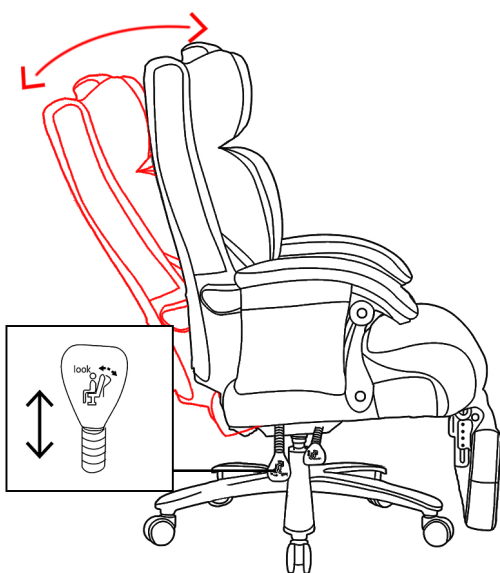
INSTRUCTIONS FOR USE

Lifting Function



Lift up: Stand up from the chair, then pull the height control handle upwards to raise the seat.

Lift down: While seated, pull the height control handle upwards to lower the seat.

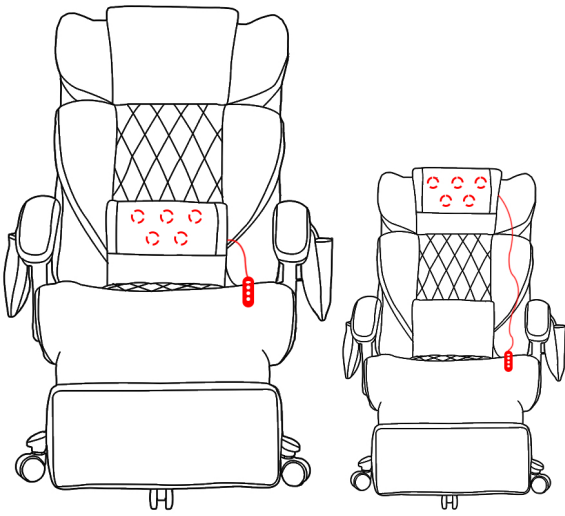


Tilt Function

Push the butterfly mechanism handle to enable or disable the seat tilt function.

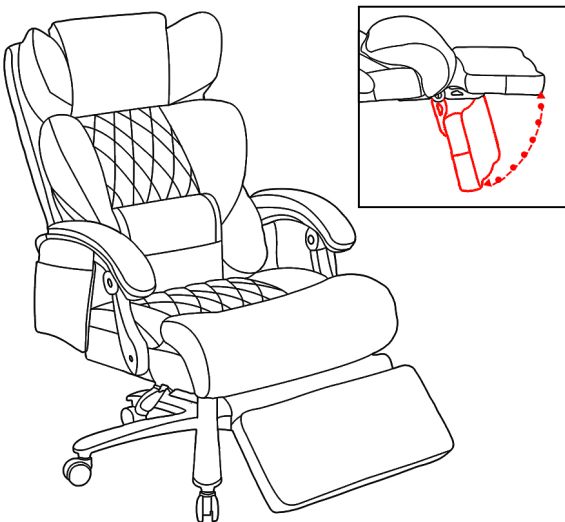
The tilt angle can reach up to 60 degrees.

INSTRUCTIONS FOR USE



Massage Function

Adjust the massager to your desired position —either the head or the lumbar area.



Adjustable Footrest

The seat footrest features 6-stage manual adjustment for personalized comfort.

SAFETY AND MAINTENANCE

- For single-person use only.
- Do not stand on the chair. This chair is not a stepladder.
- Ensure all bolts and screws are securely tightened before use.
- Keep away from sharp objects to prevent damage to the fabric.
- Check all bolts and screws every 6 months and tighten if necessary.
- Spot clean only. Use a damp cloth and mild cleaner. First test on a small, hidden area of the fabric.

SAFETY INFORMATION



Sit in the center of the chair with your back against the backrest.



Do not sit on the front edge of the chair.



Do not stand on the chair.



Do not use the chair with more than one person.



Do not push or move the chair while someone is seated.



Do not press down on the backrest while someone is reclining.



Avoid placing all your weight on the backrest alone.

MASSAGE PILLOW CERTIFICATE

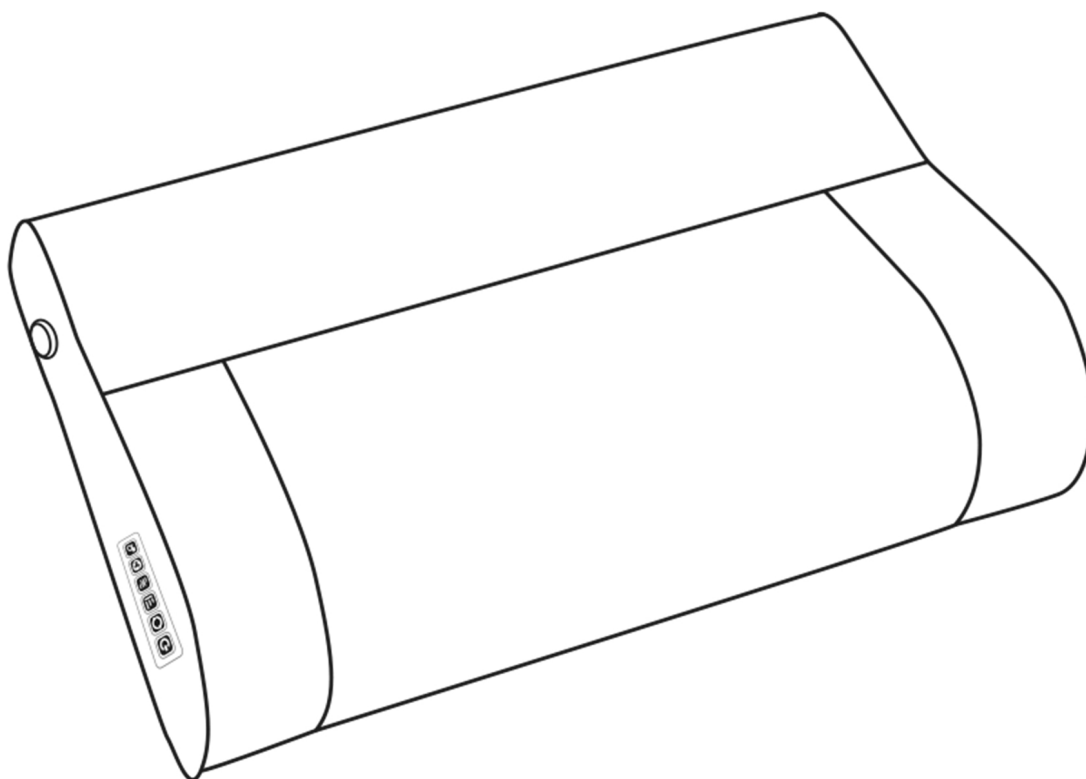
Technical parameter

Product name: MASSAGE PILLOW

Rated voltage: 12V 

Rated power: 24W

Executive Standards: GB4706.1-2005 Gb4706.10-2008



Certificate

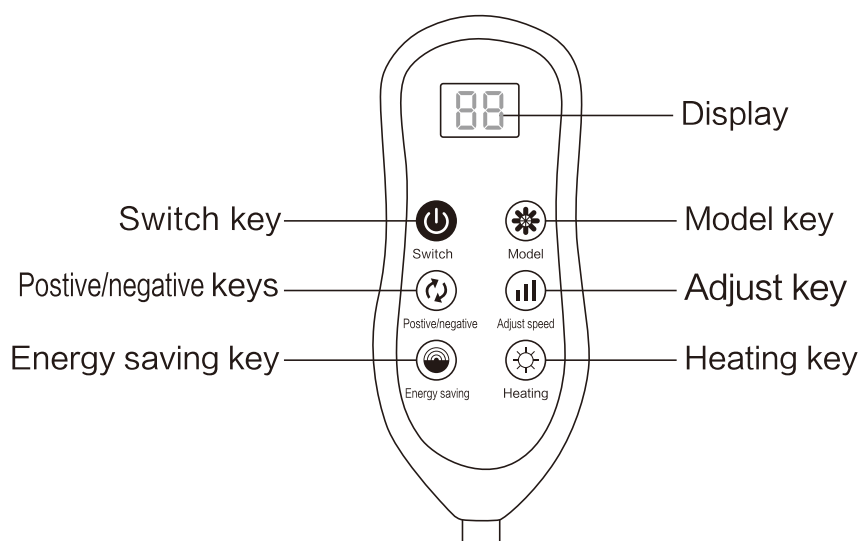
The company's products are strictly in accordance with the various indicators before leaving the factory, and are allowed to leave the factory.

Product name: MASSAGE PILLOW Test results: Qualified

Examination clerk:  Date of manufacture: _____

MANUAL CONTROL DIAGRAM

Manual control diagram



Usage method

1. **Switch key:** Press the massage function for the first time to enter automatic mode, and press it for the second time to shut down. The automatic mode functions are as follows: heating on, kneading and massage on. Automatically shuts down after running for 15 minutes after startup.
2. **Positive/Negative keys:** After turning on the device, press this button to exit the automatic mode, switch the kneading and massage to reverse kneading, and press it again to switch to forward kneading.
3. **Energy saving key:** Press the energy-saving button while in massage mode to activate the energy-saving mode.
4. **Model key:** Press this button to cycle through different automatic massage modes.
5. **Adjust key:** Press this button for the first time after booting to switch to strong mode and press it again to switch. There are three options available for selection.
6. **Heating key:** In massage mode, the hot compress is turned on. Press this button to turn off heating, and then press this button again to turn on heating.

TROUBLESHOOTING

Simple fault analysis and treatment

Fault Phenomenon	Possible Cause	Processing Method
The whole machine is not working at all The power indicator light is not on	<ul style="list-style-type: none">• Is there a power outage• Is the power adapter plug properly plugged in• Is the power plug inserted correctly• Has the power socket turned on the function key	<ul style="list-style-type: none">• Use after calling• Replace the power socket• Correctly and firmly insert the plug into the socket• Open function key
Massage and rolling are slow and weak	<ul style="list-style-type: none">• Is there a power outage• Movement temperature too high, automatic shutdown protection	<ul style="list-style-type: none">• Call before use• Restart the machine after the temperature of the movement decreases
The noise is very loud	<ul style="list-style-type: none">• New machine running in period	<ul style="list-style-type: none">• After using for 10 hours, the noise naturally decreases

Note: If the problem persists, do not continue to use and contact our repair service center (contact information on the back cover). Do not disassemble or repair this product on your own.