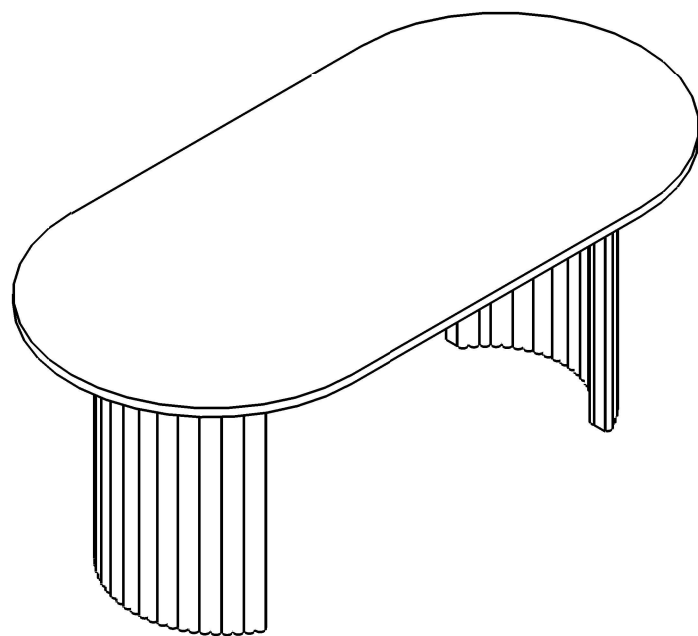


ASSEMBLY INSTRUCTION






WOOD DINING TABLE

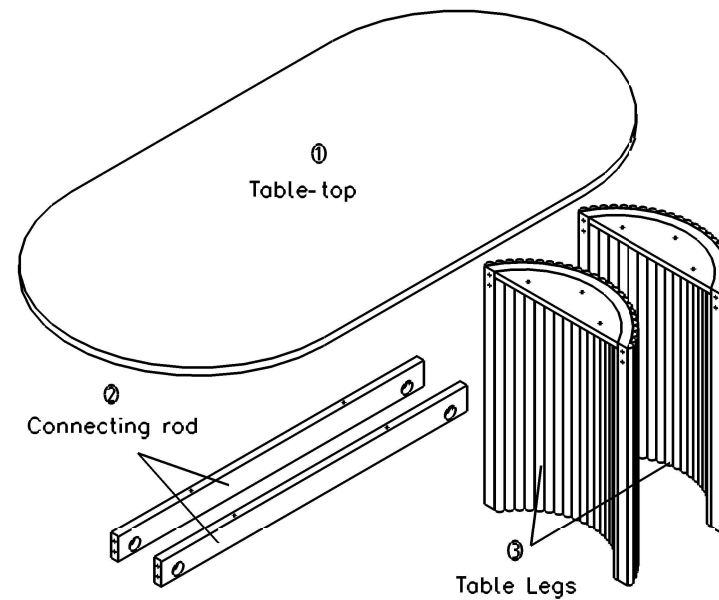


1-6

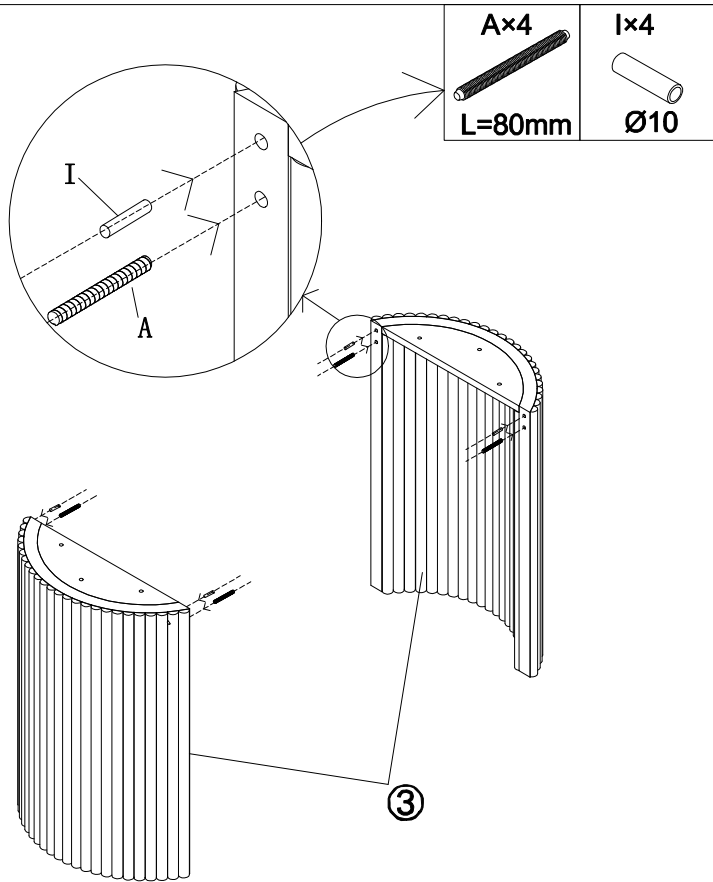
Packing list

Please check the contents to make sure you have received all components and accessories before installing.

AX4 L=80mm	BX4 Φ38mm	CX4  M6	DX1 4 mm	EX6  M6 *30 mm
FX6 Φ15	GX1  M4	HX1  M5	IX4 Φ10	JX4  M8 *80 mm



2-6

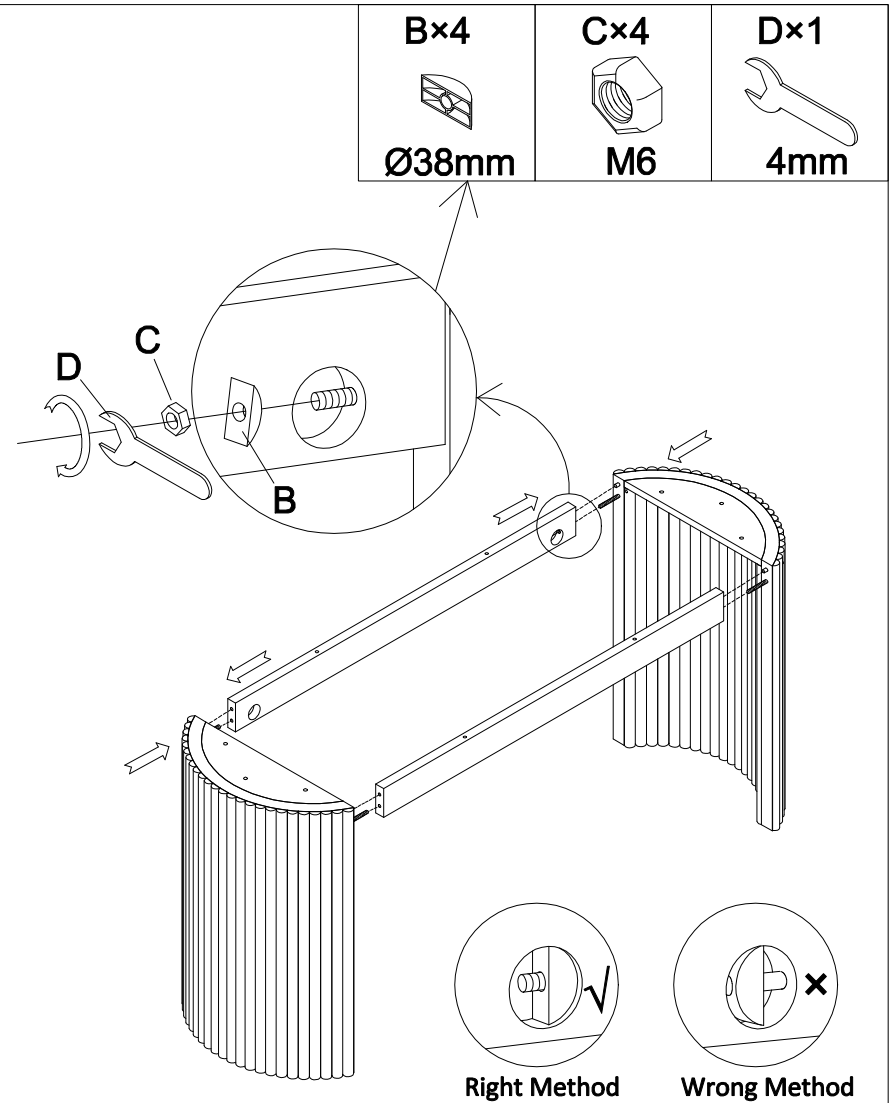


Step 1. Use parts "A" and "I" to attach the connecting rods to the table legs.

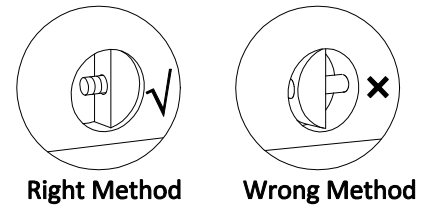
NOTE:

1. The "I" part of the cork needs to be placed in the first hole of the table leg.
2. All 8 holes need to be installed before proceeding to the next step.

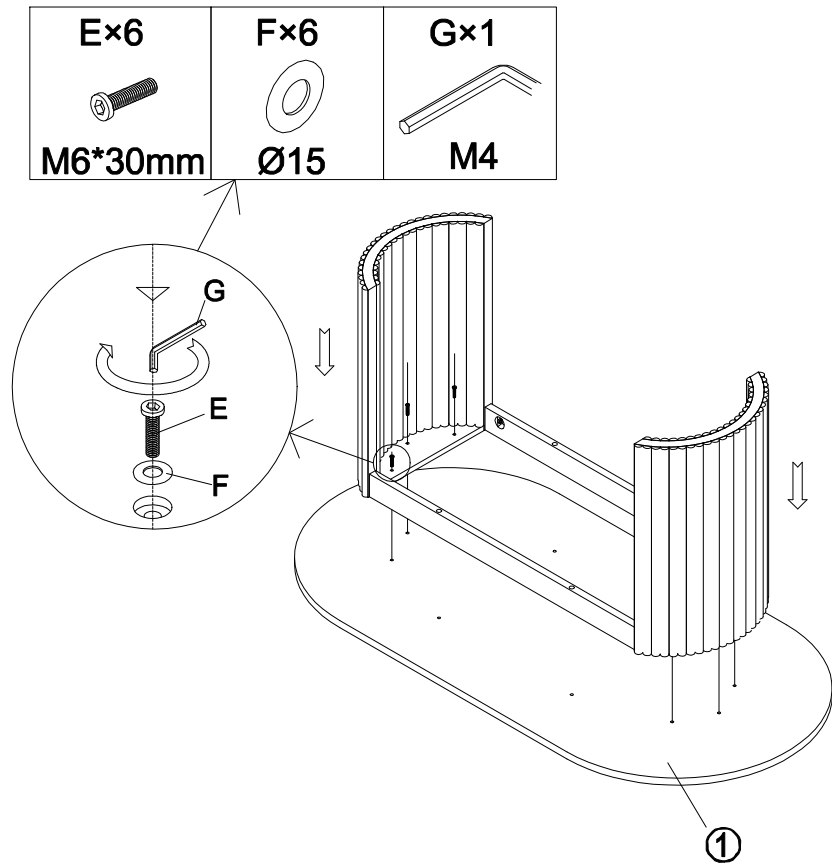
3-6



Step 2: Attach the connecting rods to the table legs, securing them with parts "B" and "C".

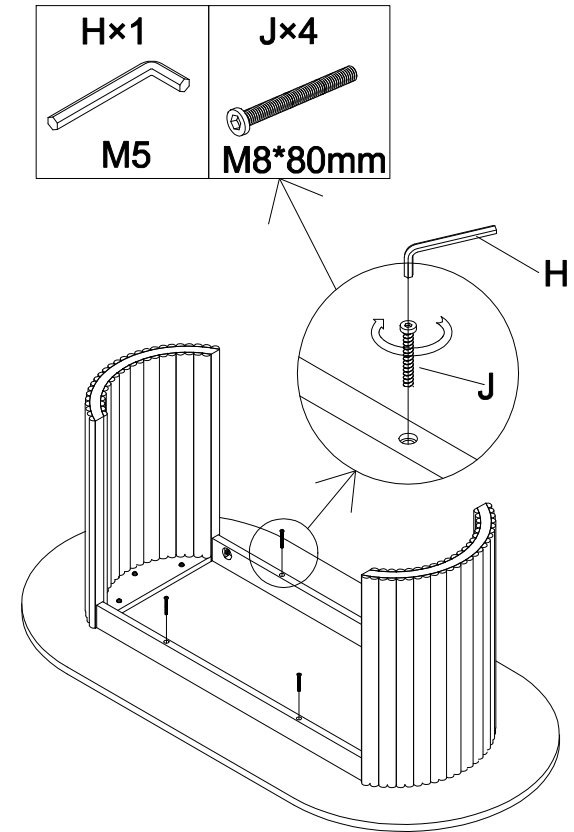


4-6



Step 3: Use "E" and "F" to install table legs to the desktop.

5-6



Step 4: Using the "J" part, secure the connecting rod to the table top.

6-6