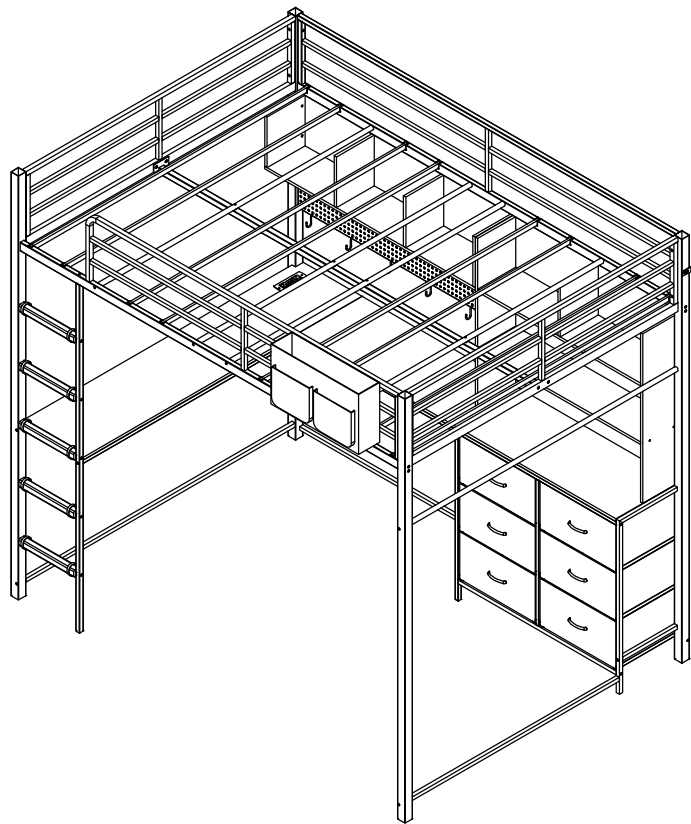


Please install the anti-tipping device correctly according to the instructions



CAUTION: When tightening the screws, tighten sequentially.
Do not tighten any screws fully and then towards the next one.
When every part is OK, then tighten all the screws.

AJ-DJ505321

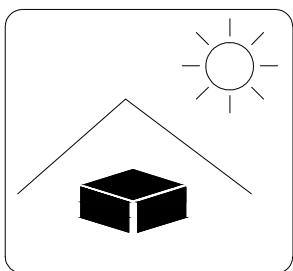


Version : 1.1

Package Contents

Plates and iron components	Assembly tool kit	Instruction manual
----------------------------	-------------------	--------------------

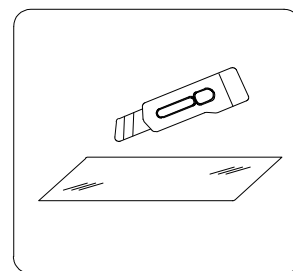
Precautions



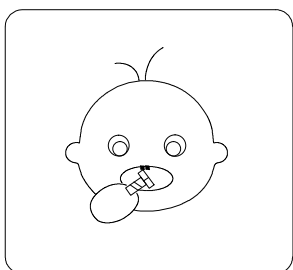
1. Avoid long-term direct sunlight exposure



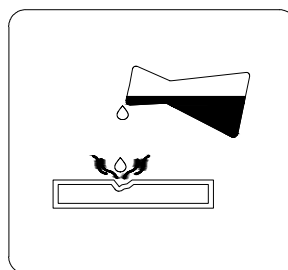
2. Stay away from fire



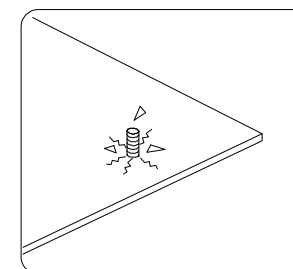
3. Keep away from sharp objects



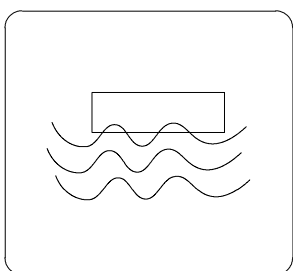
4. Keep infants/children away from assembly parts to avoid choking and suffocation.



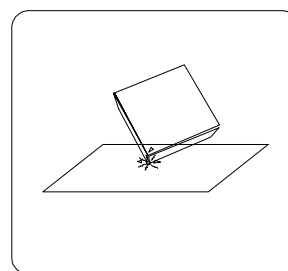
5. Keep away from corrosive substances



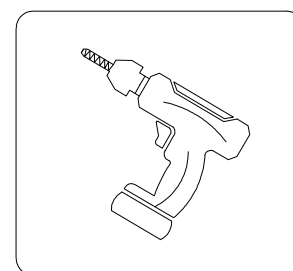
6. Please use the correct screws, otherwise the plate will be damaged.



7. Prevent objects from being damaged by immersion in water



8. Prevent object collision and damage



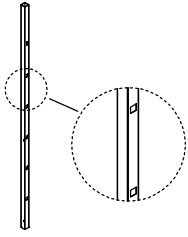
9. An electric drill is recommended for installation

Problems You May Encounter

PART	PROBLEM	SOLUTION
Whole Product	Parts are missing, defective or having wrong parts in package.	You can contact us and we will get back to you within 24 hours
	Having issue(s) while reading the instruction or completing the assembly.	Feel free to contact us and we will get back to you within 24 hours.
	Encountering non-human caused damage during usage.	If the product is damaged due to non-human causes, please keep the product and send us photos of it. We will ascertain the cause of the product damage within 48 hours and provide you with a satisfactory solution.
Product Surface	Board Surface is broken, scratched or lack of some screw holes.	Feel free to contact us and we will get back to you within 24 hours.
	The screw holes on the wooden board and other wooden boards are not aligned.	1.Please tighten the screws on the board by 70 %, do not tighten completely. 2. Adjust the wooden board and board. Until the holes are arranged neatly, then tighten all screws
	Desktop misalignment and unevenness	1.Please tighten the screws connecting the table board to the elevator by 70%, do not tighten them completely. 2.Adjust to a flat and aligned desktop, then tighten the screws. 3.If your problem still can't be solved, please feel free to contact us.
Metal accessories	Metal accessories are damaged, rusted, bent, and broken.	Feel free to contact us and we will get back to you within 24 hours.
	unstable after being assembled.	1.Check if the screws are tightened. 2.Read throughout the manual, check if there are any parts installed incorrectly or some parts are missed to be installed. 3.If the problem still can't be solved, please feel free to contact us.
	Encountering non-human caused damage during usage.	If the product is damaged due to non-human causes, please keep the product and send us photos of it. We will ascertain the cause of the product damage within 48 hours and provide you with a satisfactory solution.

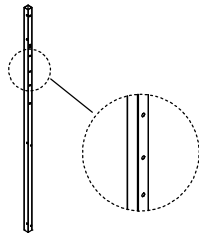
Assembly Instruction

BOX-A



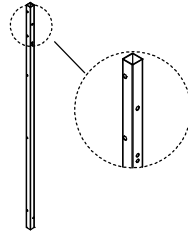
1

x1



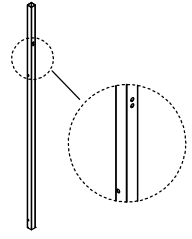
2

x1



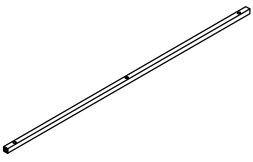
3

x1



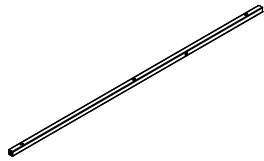
4

x1



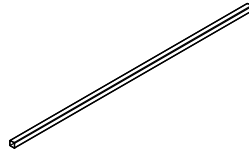
5

x1



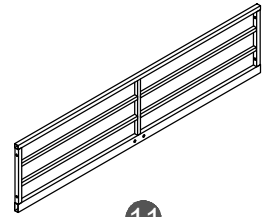
6

x1



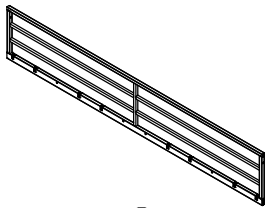
7

x1



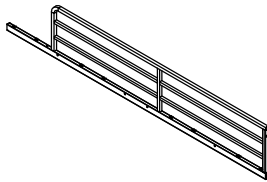
11

x2



12

x1



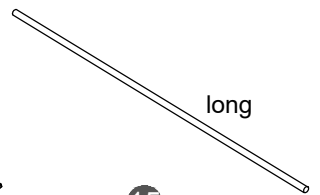
13

x1



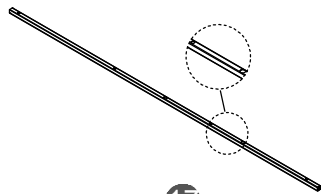
14

x8



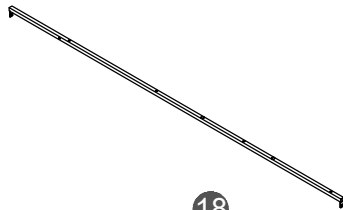
15

x4



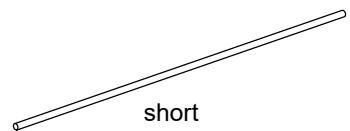
17

x1



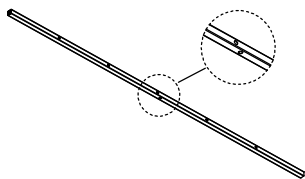
18

x1



19

x1

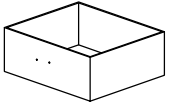


23

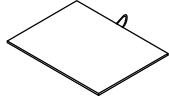
x1

Assembly Instruction

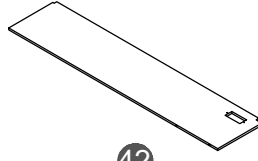
BOX-A



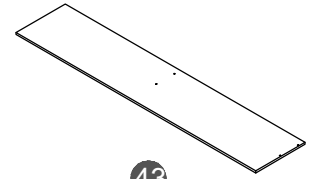
39
x5



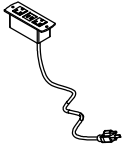
40
x6



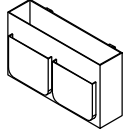
42
x1



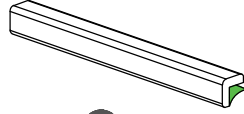
43
x1



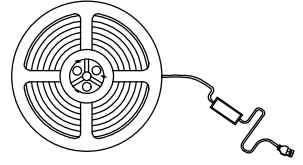
44
x1



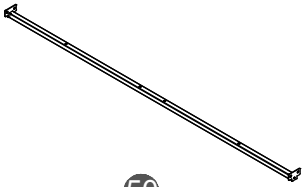
45
x1



46
x5



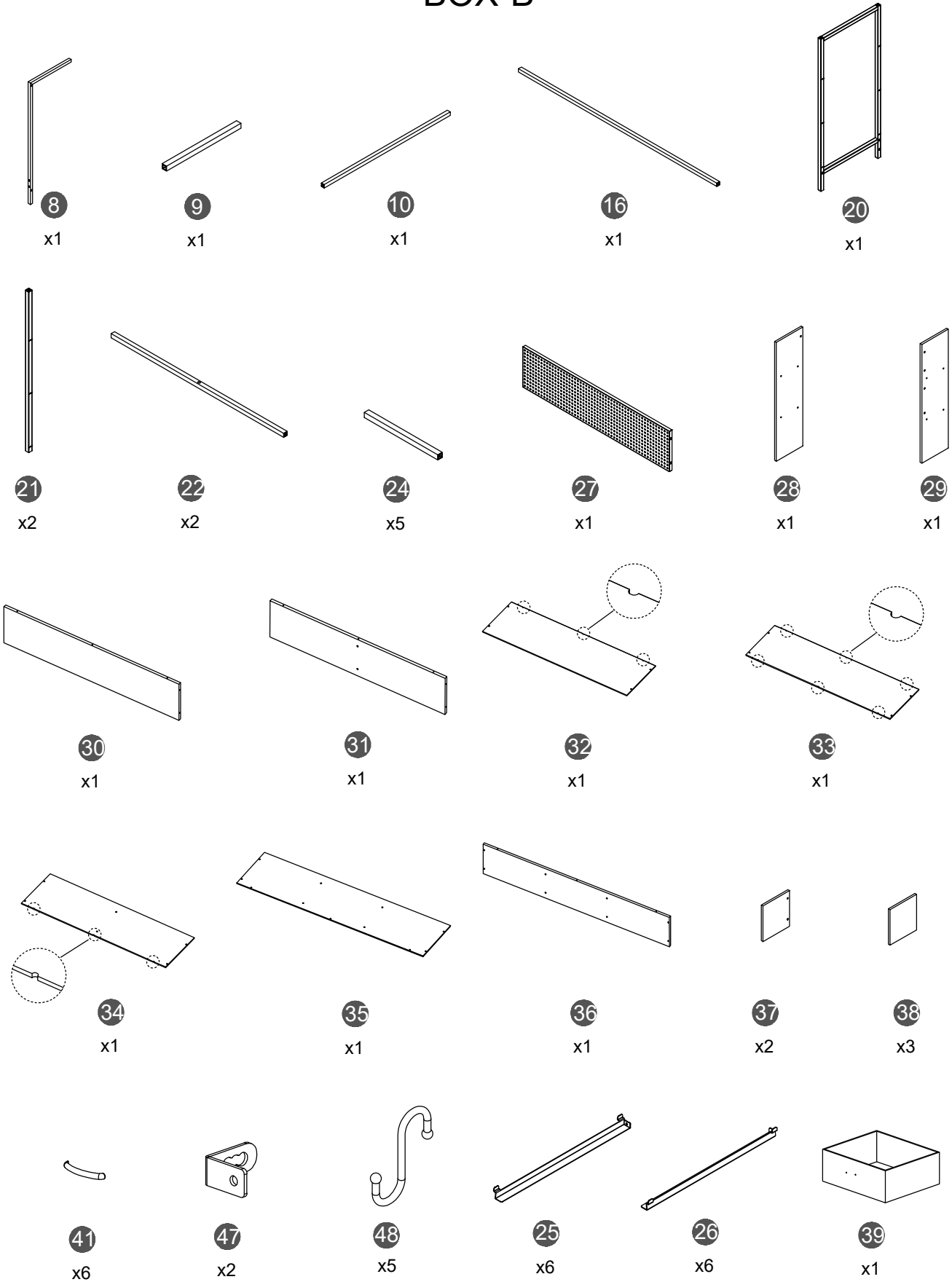
49
x1



50
x1

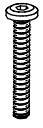
Assembly Instruction

BOX-B



Assembly Instruction

Hardware parts 1 (BOX-B)



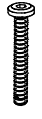
A

M8*55
x8



B

M8*35
x15



C

M6*55
x12



D

M6*35
x21



E

M8*15
x2



F

M6*25
x34



G

M6*20
x2



H

M6*12
x6



I

Ø6
x7



J

Ø3*12
x2



K

M6*50
x2



L

Ø5*35
x53



M

M6*30
x2



N

S4
x1



O

S10, S13
x1



P

x1



R

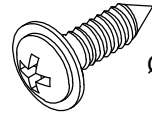
S3
x1



S

M8
x5

Hardware parts 2 (BOX-B)

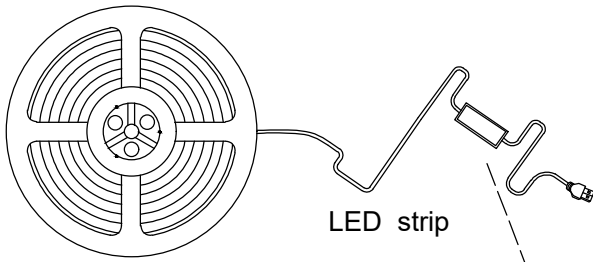


Q

Ø4*10
x12

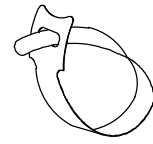
Assembly Instruction

LED light strip electronic accessories list



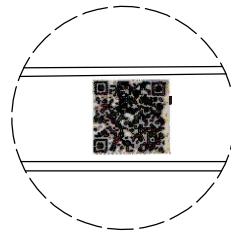
x1
light bar

LED strip

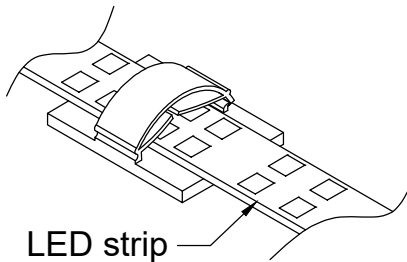


x10

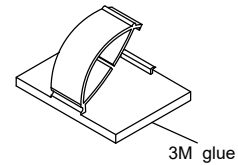
Velcro straps



There is a two-dimensional code at the position of the power line. Scanning can download the APP for the control light



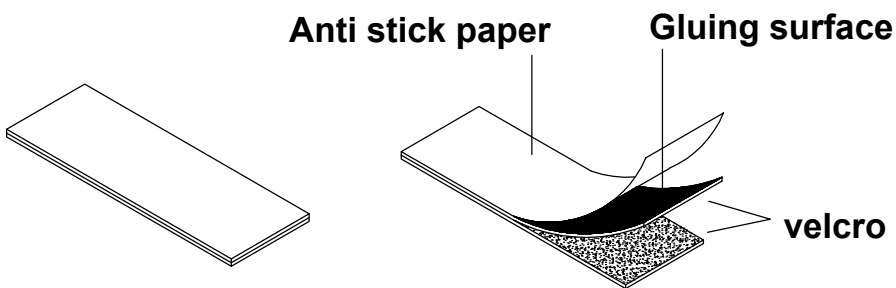
LED strip



3M glue

x5

LED strip with clips

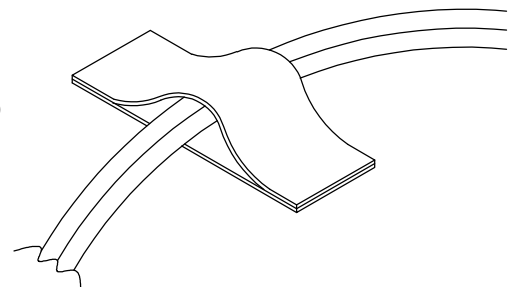


Anti stick paper

Gluing surface

velcro

When the wires are disordered, tear off the anti stick paper, paste it on the place where the wires pass, and then bind the wires.



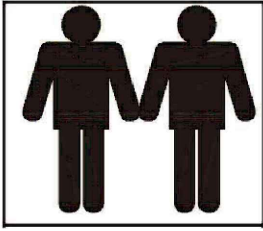
x2

Thread embedding buckle

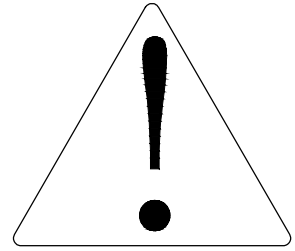
Assembly Instruction

Note:

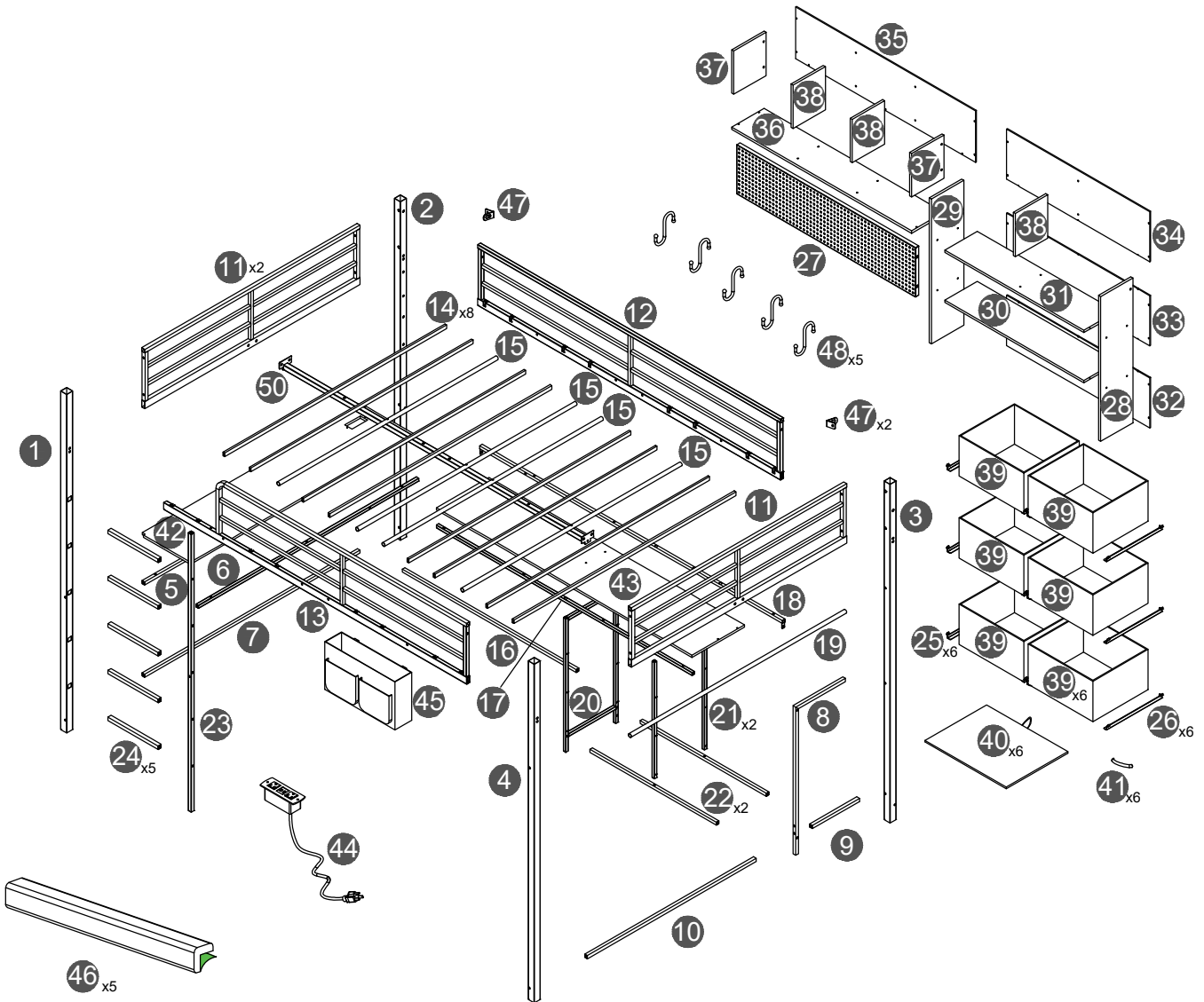
1. should be assembled on flat ground to keep balance.
2. Before completing the installation, do not tighten the screws.



It needs at least two people to install.

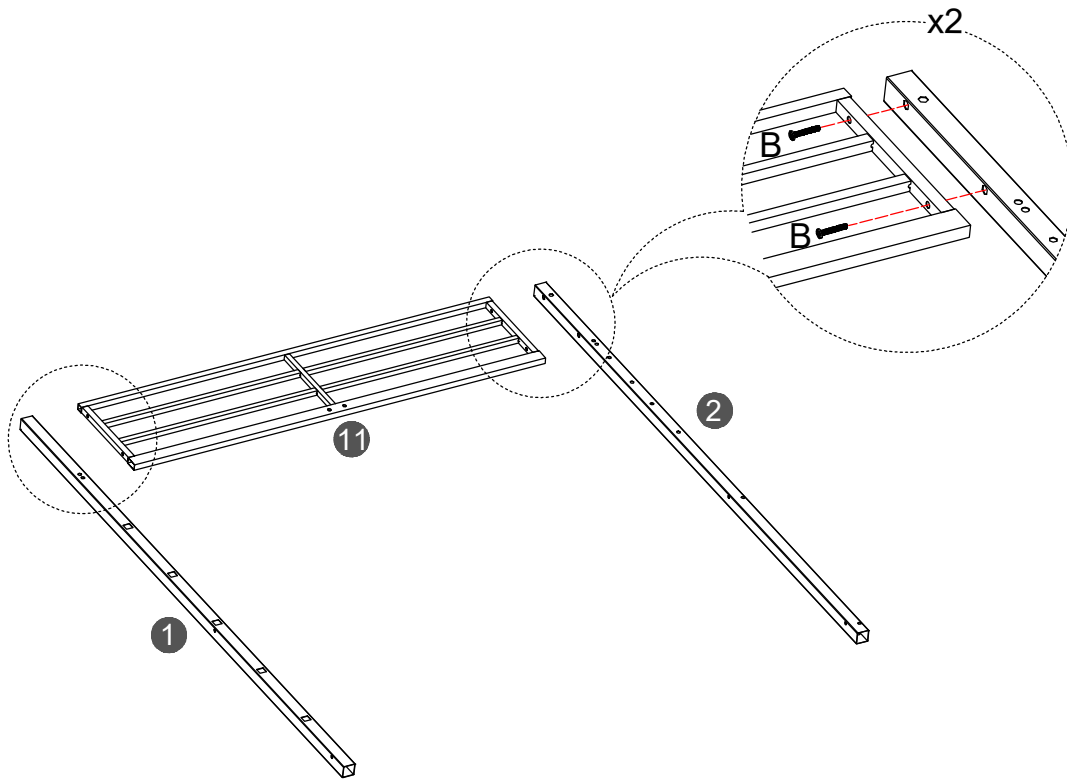


Before starting the assembly, you must read the whole manual and follow the instructions



Assembly Instruction

1

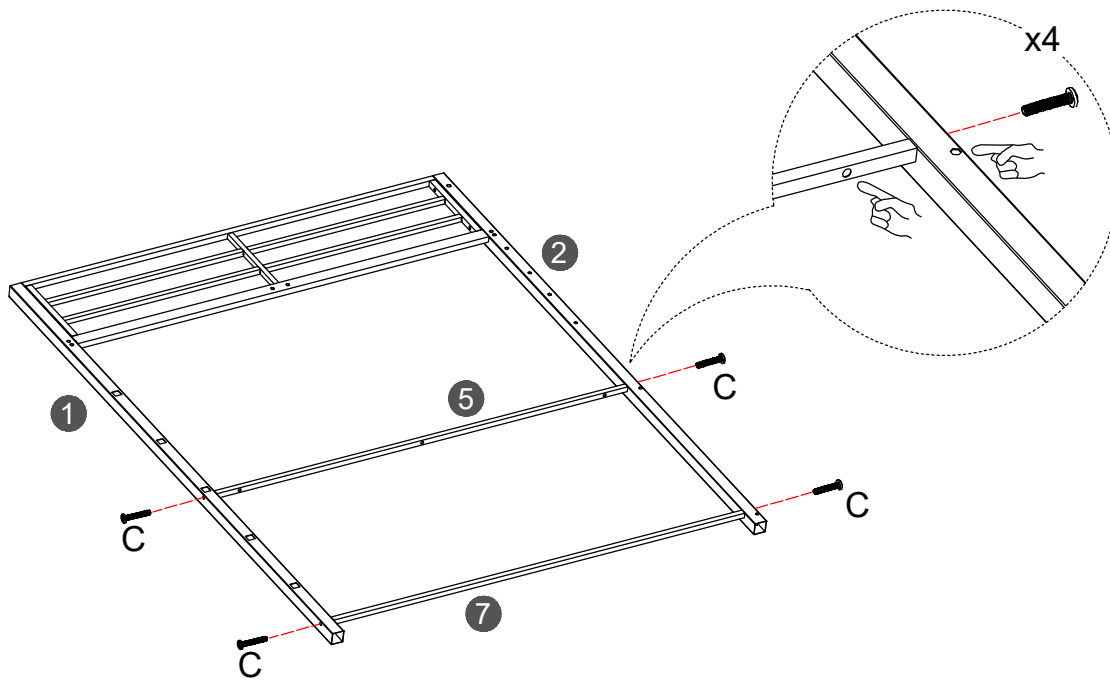


B M8*35
x4

N S4
x1

Do not tighten the screws, just fix them.

2

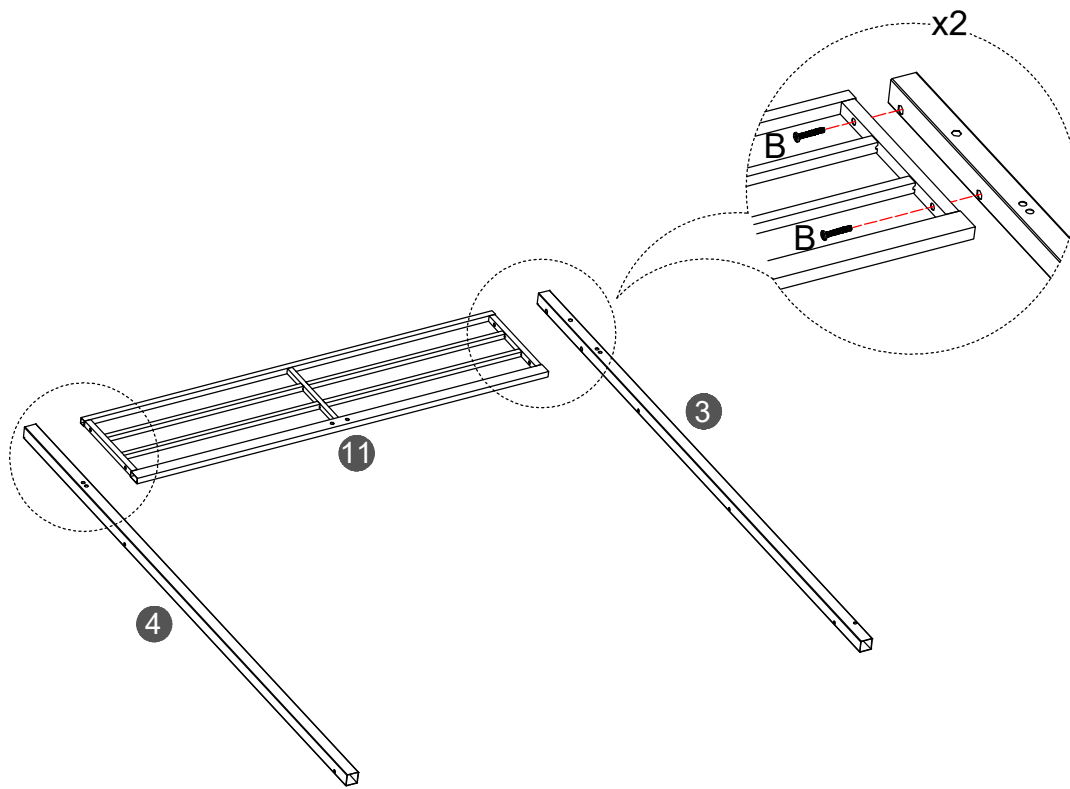


C M6*55
x4

N S4
x1

Assembly Instruction

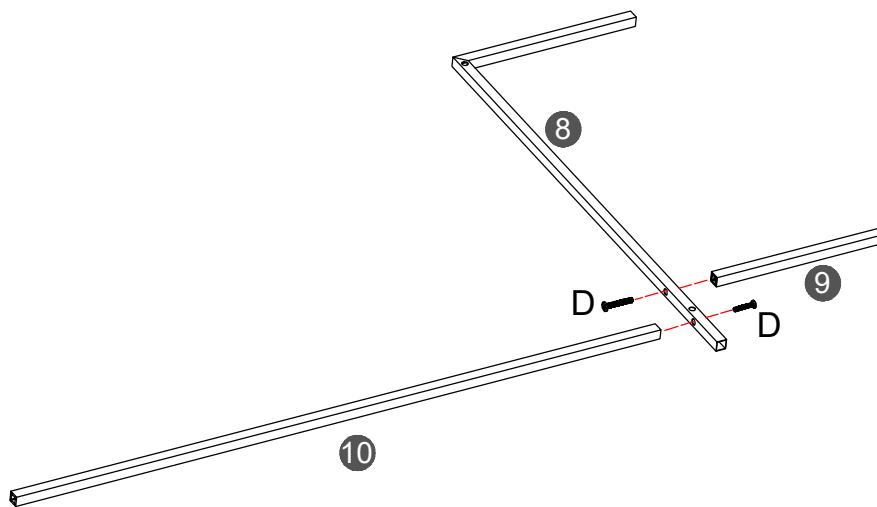
3



B M8*35
x4

N S4
x1

4

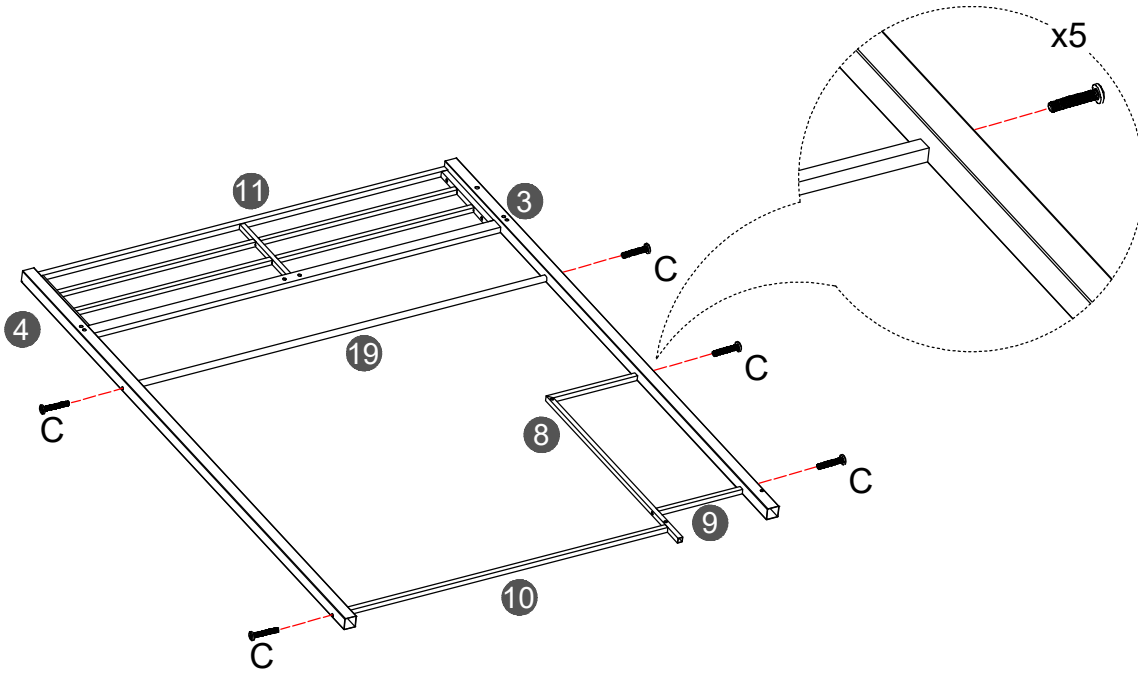


D M6*35
x2

N S4
x1

Assembly Instruction

5

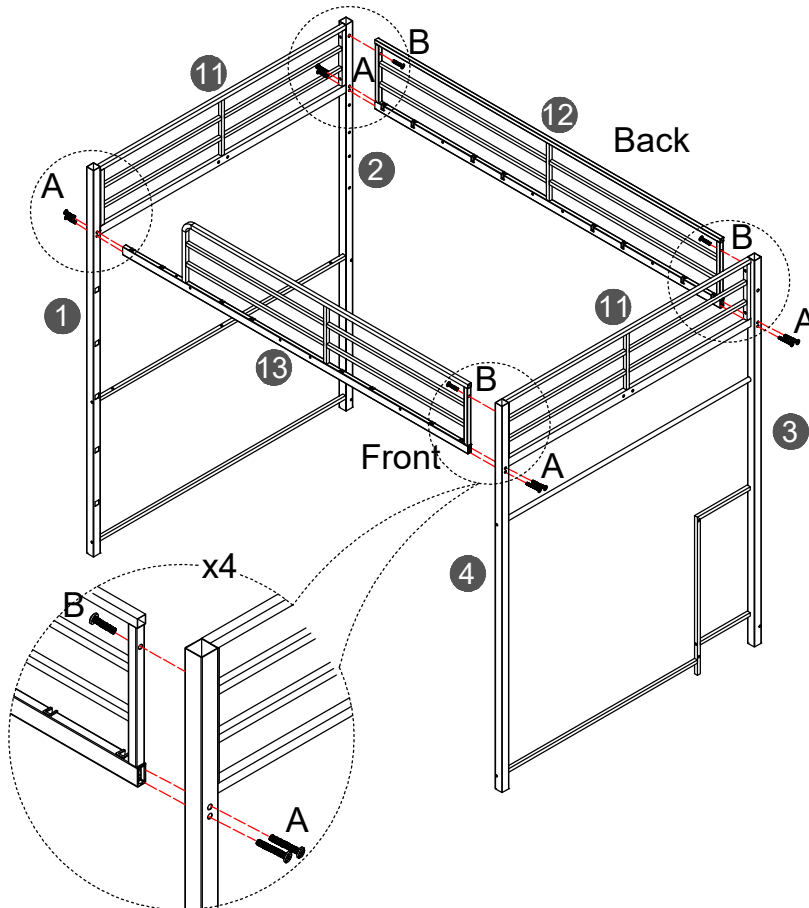


C M6*55
x5

N S4
x1

Tighten all the screws on it.

6



B M8*35
x3

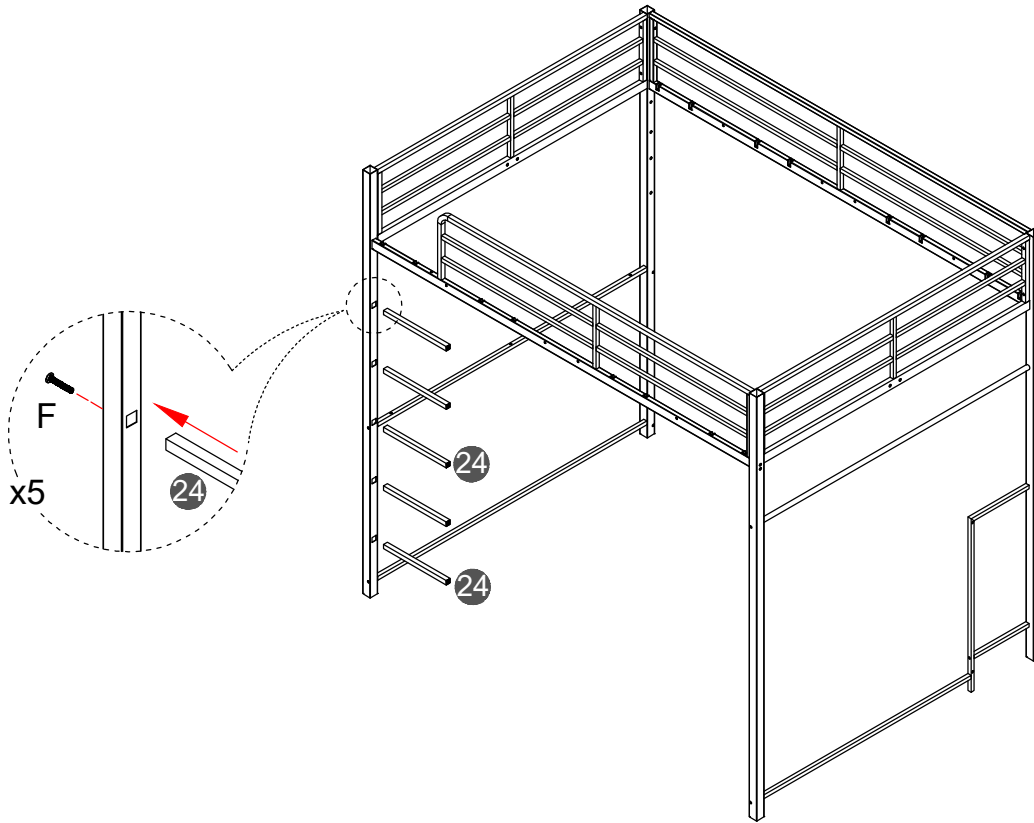
A M8*55
x8

N S4
x1

It needs at least two people to install.

Assembly Instruction

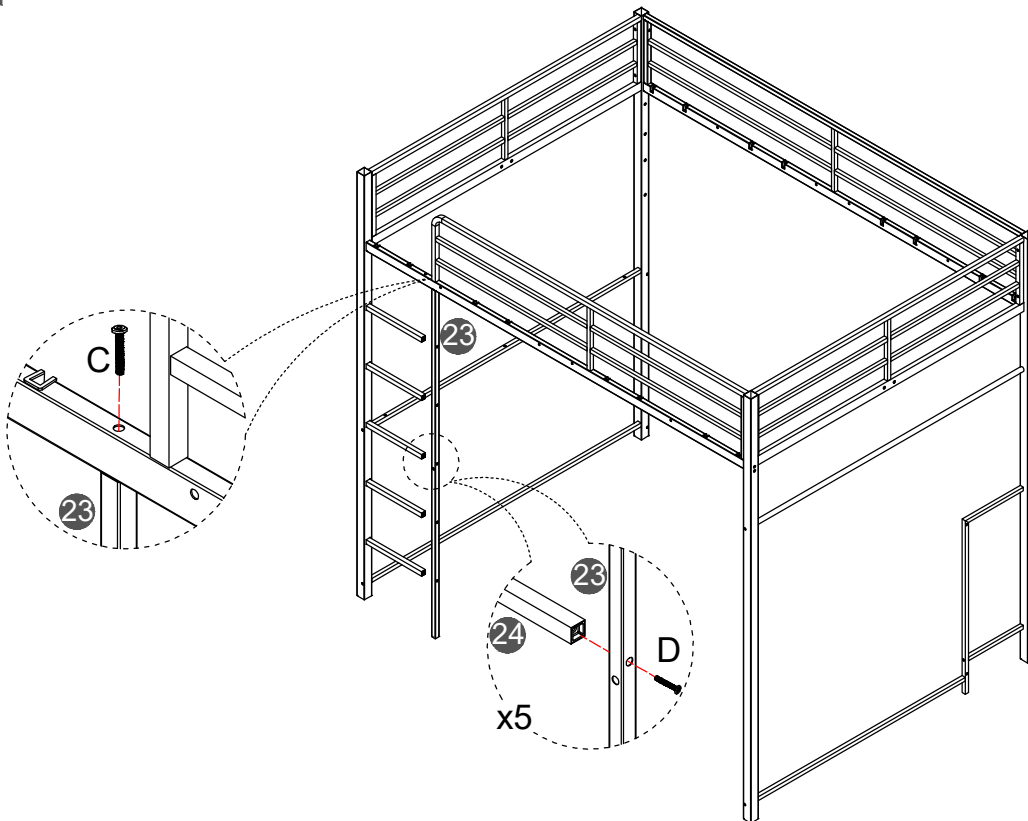
7



F M6*25
x5

N S4
x1

8



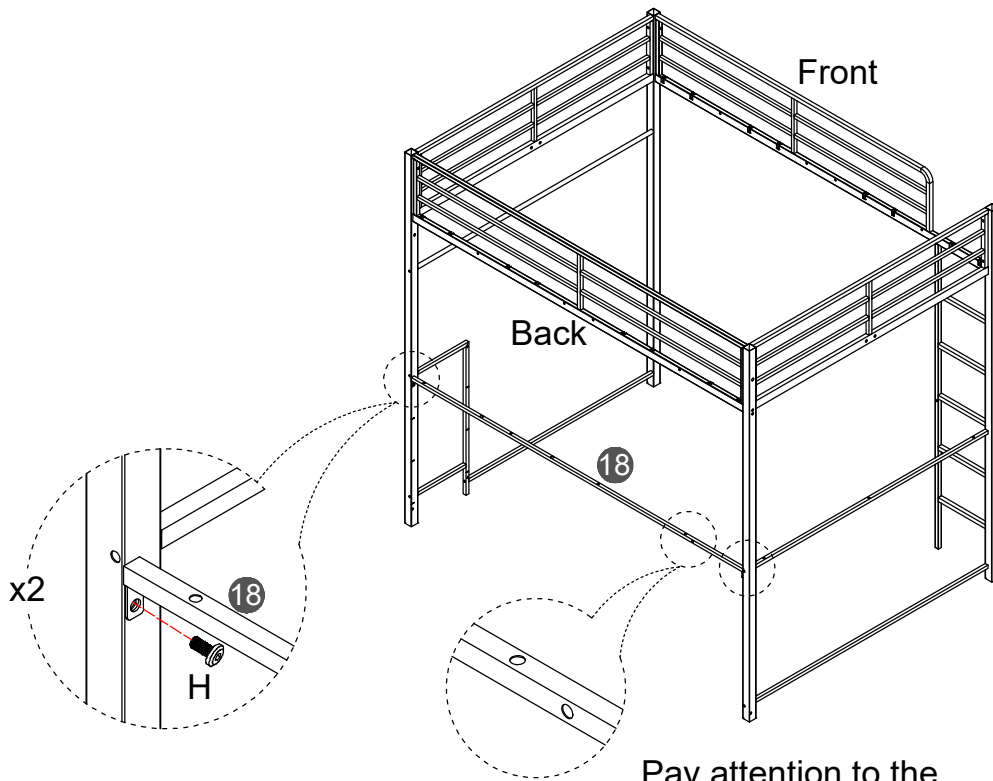
C M6*55
x1

D M6*35
x5

N S4
x1

Assembly Instruction

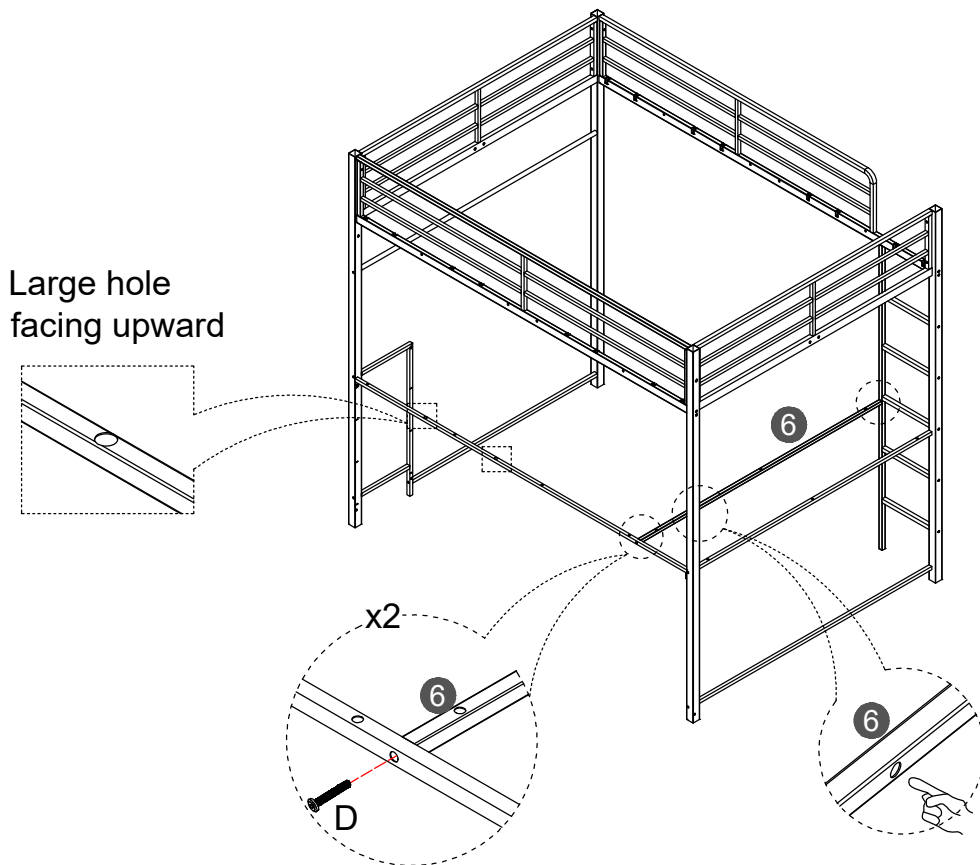
9



- H M6*12
x2
- N S4
x1

Pay attention to the direction of the hole.

10

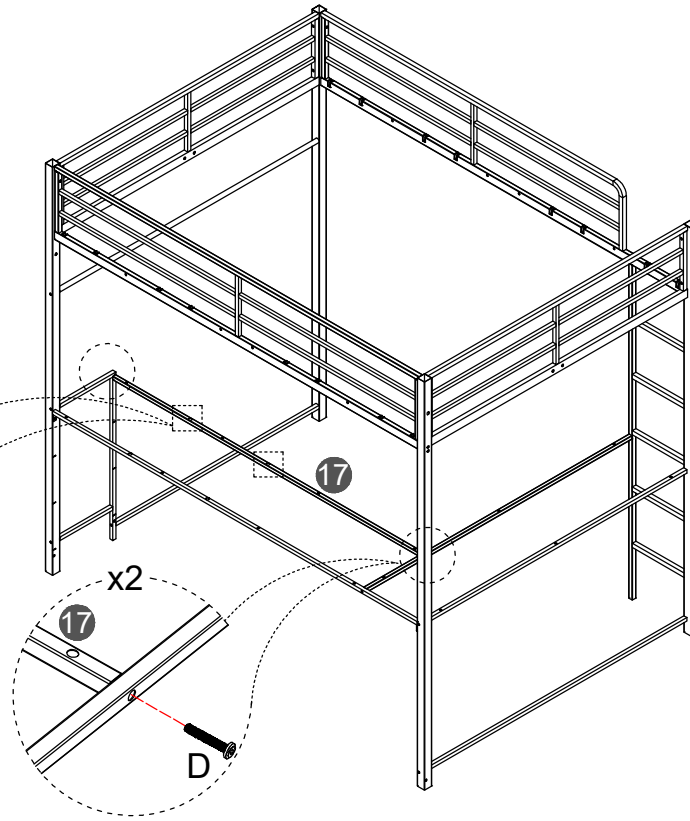
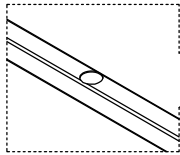



- D M6*35
x2
- N S4
x1


Assembly Instruction

11

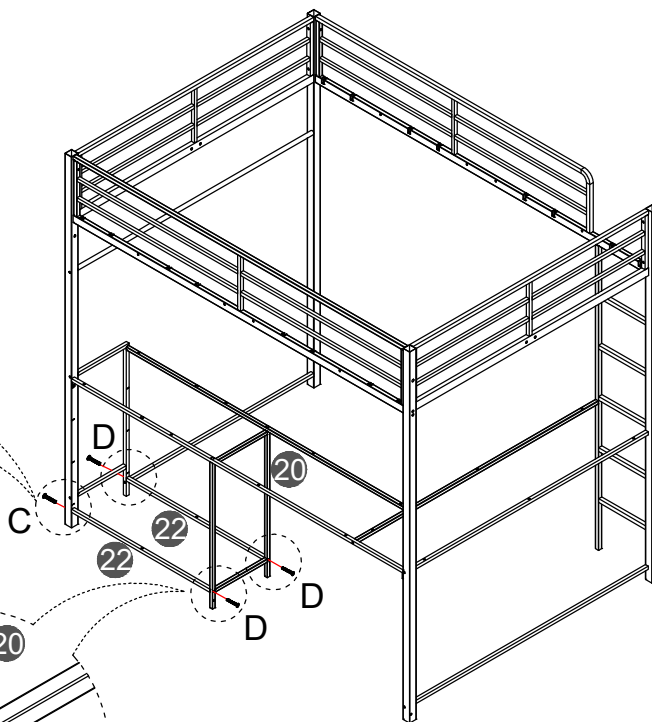
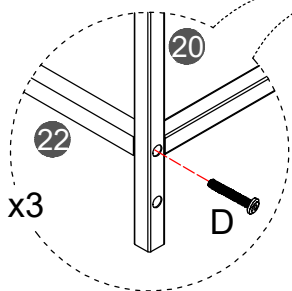
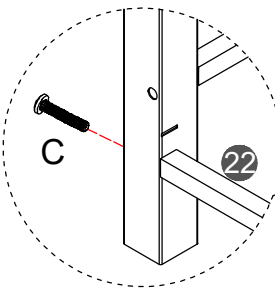
Large hole
facing upward





D M6*35
 x2


N S4
 x1

12



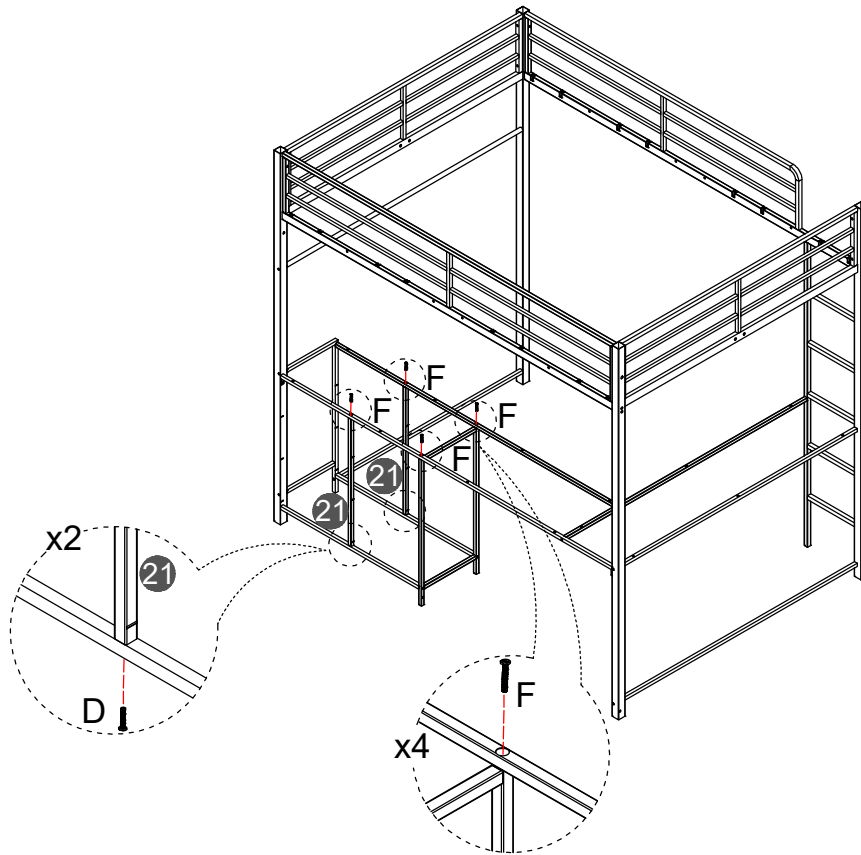
C M6*55
 x1


D M6*35
 x3


N S4
 x1


Assembly Instruction

13

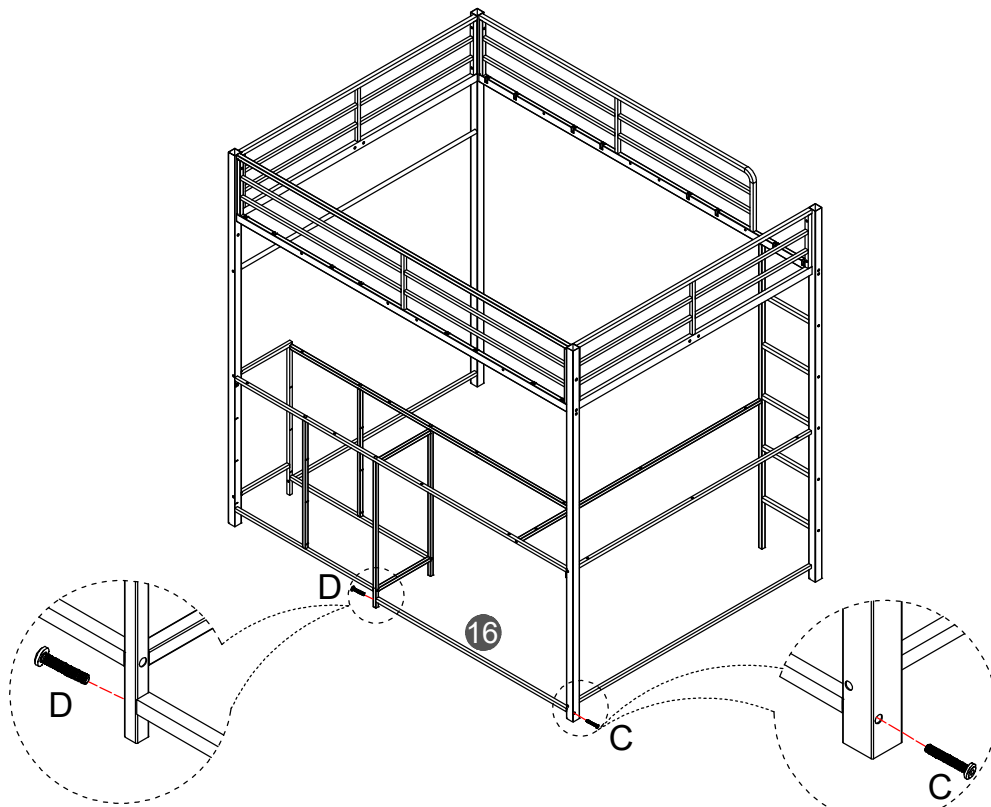



D M6*35
 x2


F M6*25
 x4


N S4
 x1

14



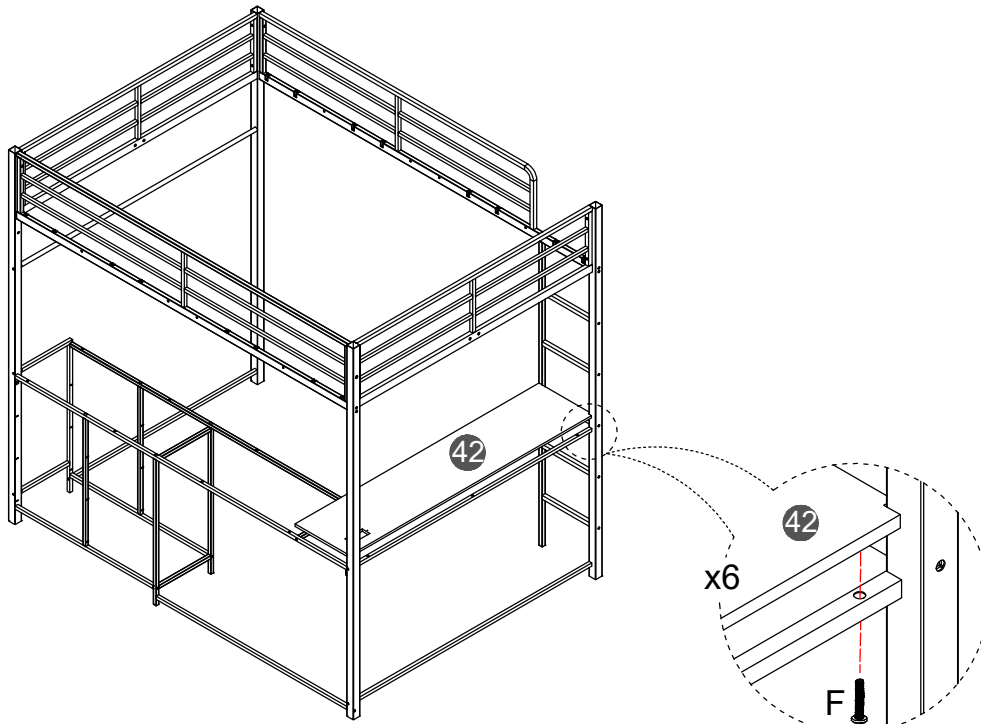
C M6*55
 x1

D M6*35
 x1

N S4
 x1

Assembly Instruction

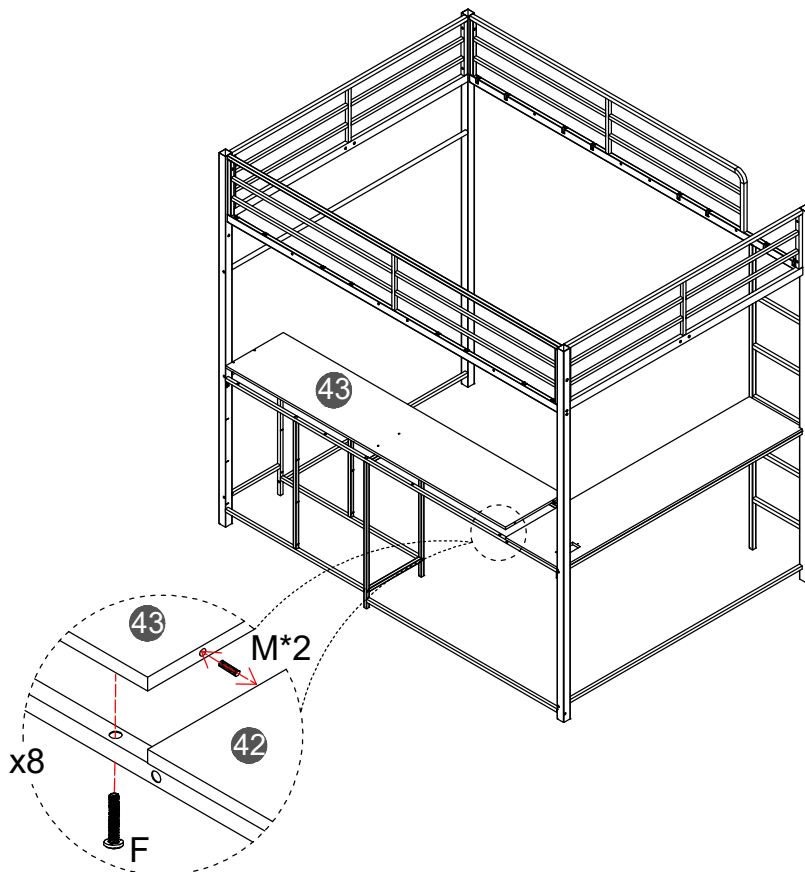
15



F M6*25
x6

N S4
x1

16



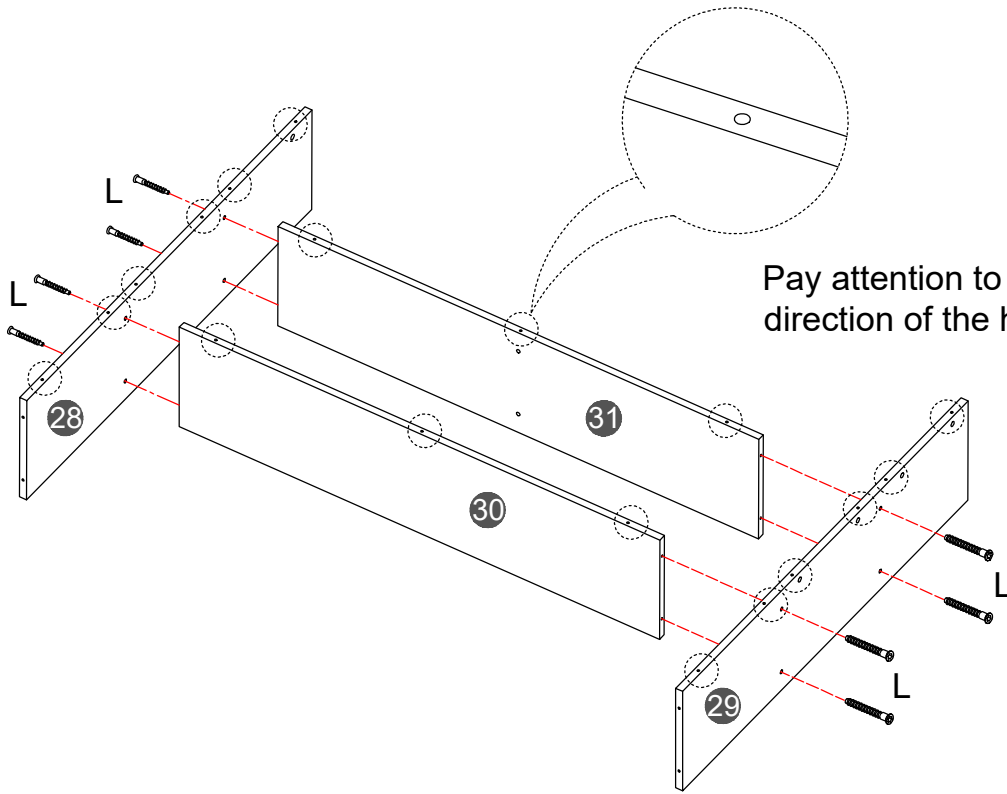
F M6*25
x8

M M6*30
x2

N S4
x1

Assembly Instruction

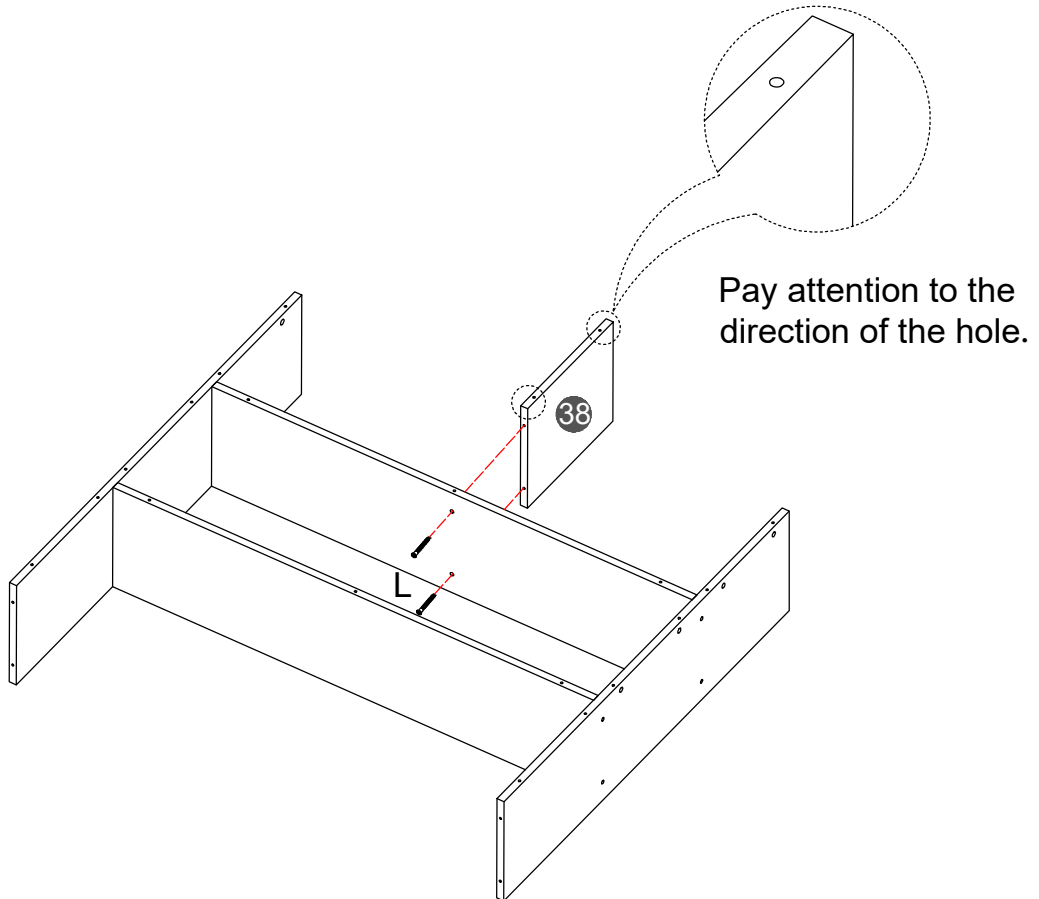
17



L Ø5*35
x8

R S3
x1

18

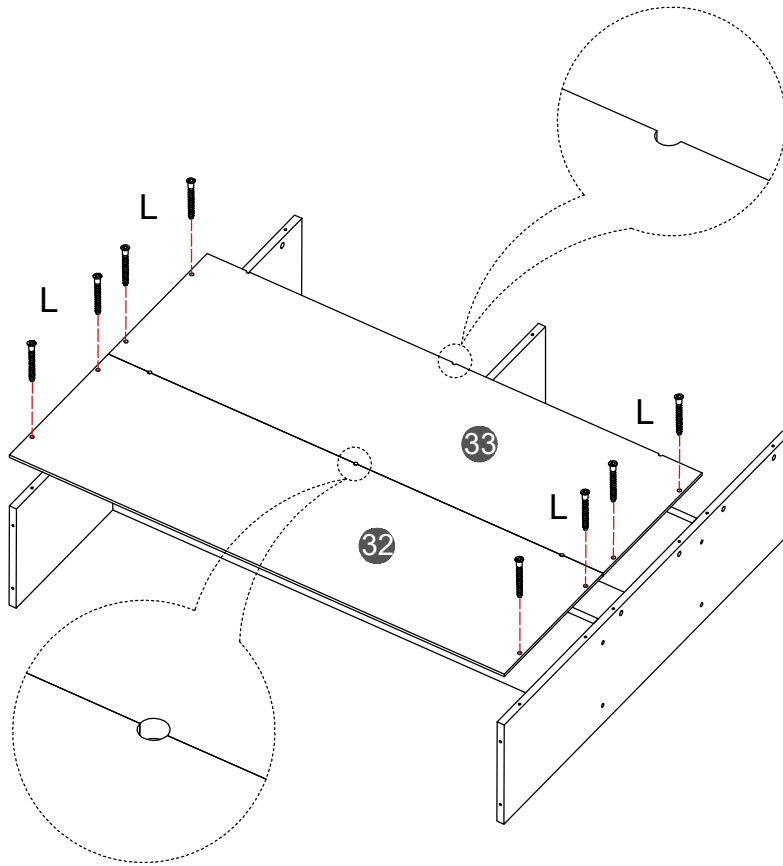


L Ø5*35
x2

R S3
x1

Assembly Instruction

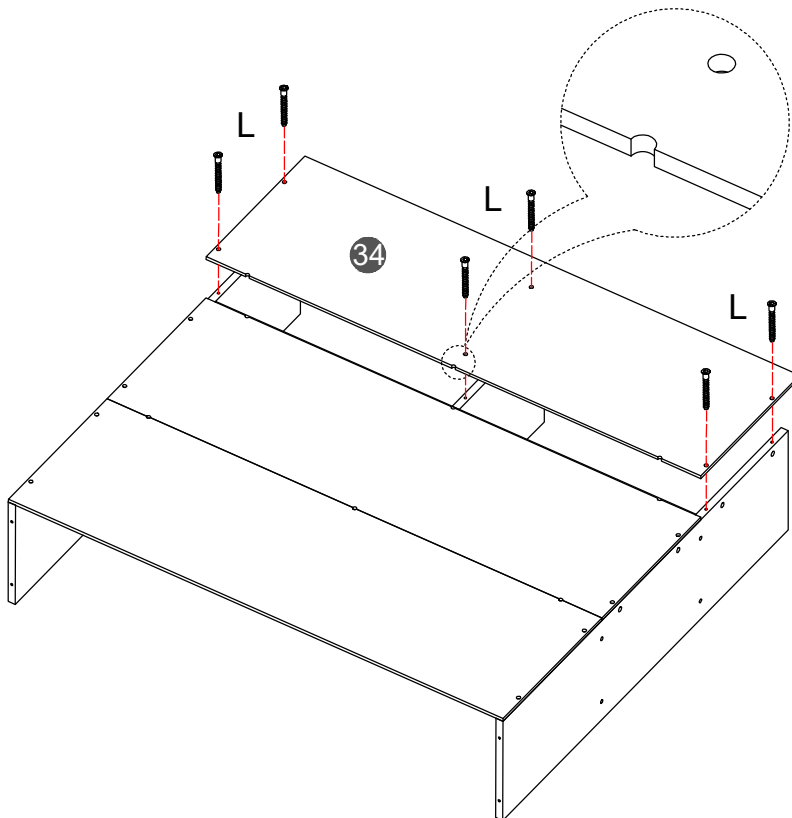
19



L Ø5*35
x8

R s3
x1

20

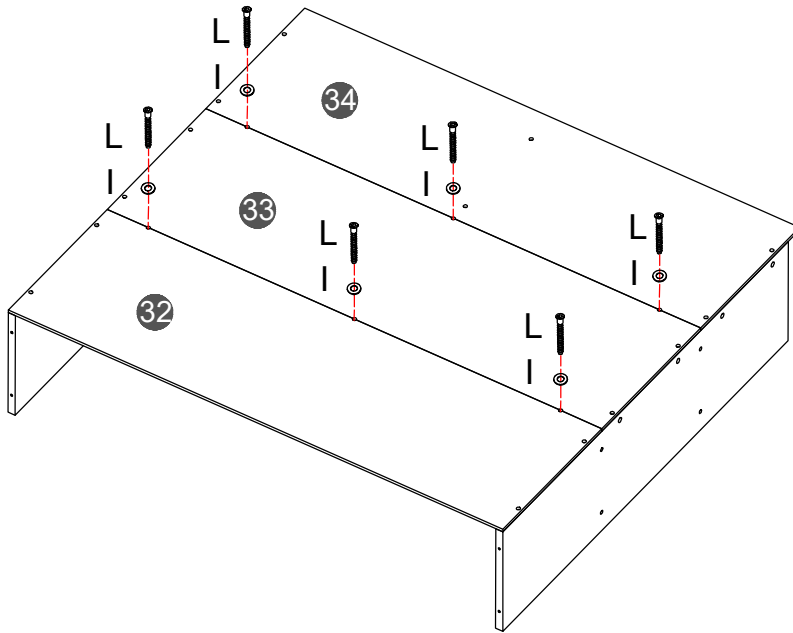


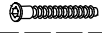
L Ø5*35
x6


R s3
x1


Assembly Instruction

21

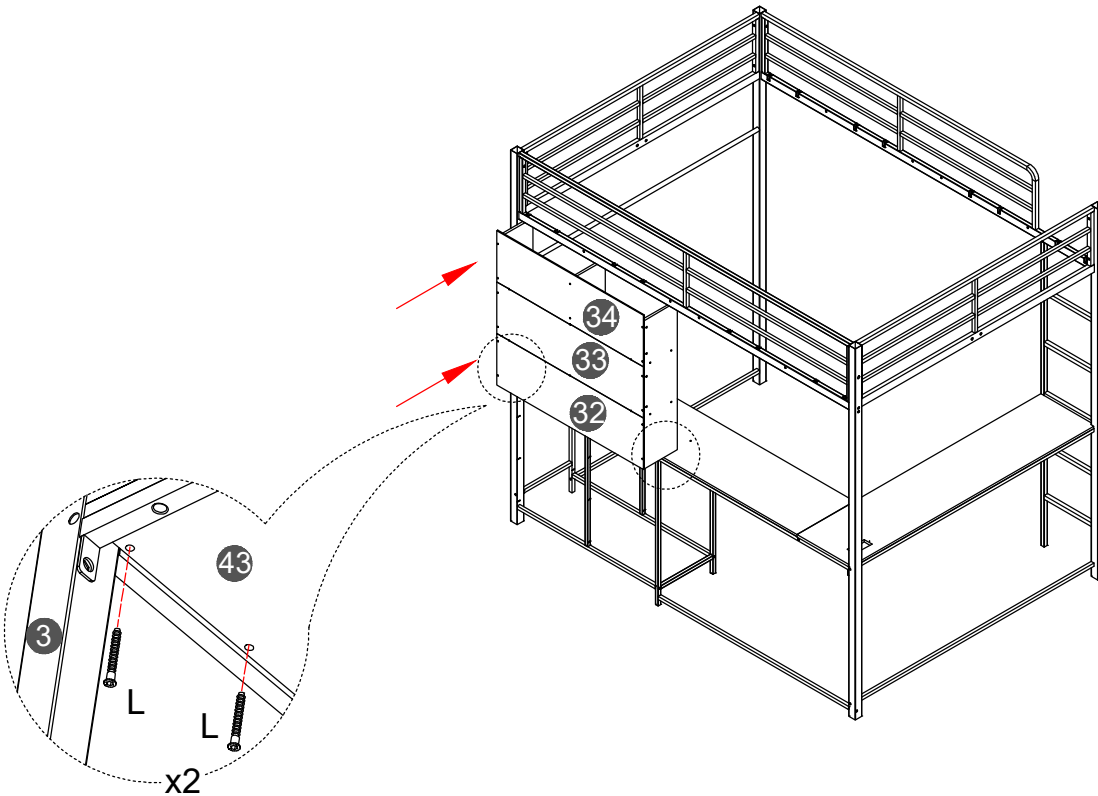



L Ø5*35
 x6


I Ø6
 x6

R S3
 x1

22



L Ø5*35
 x4

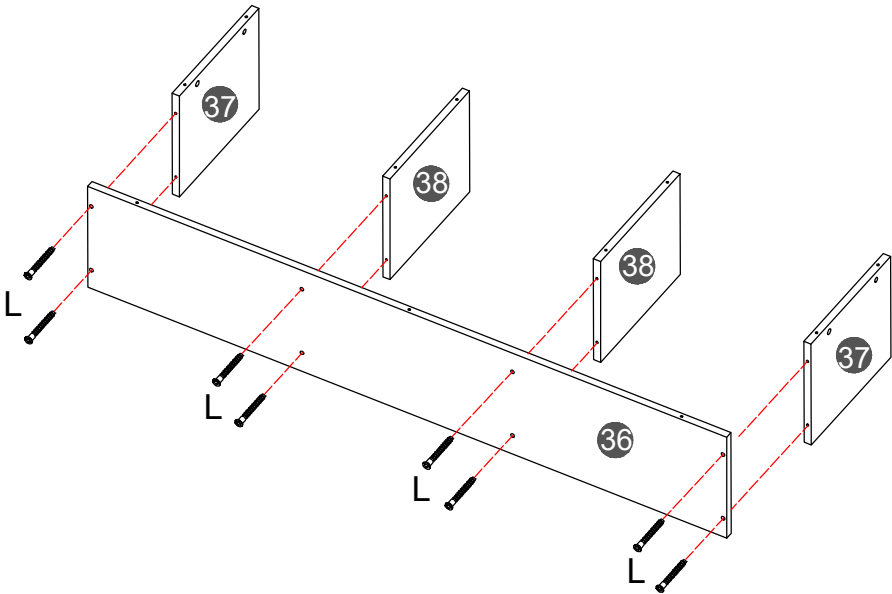
R S3
 x1

Assembly Instruction

23

L Ø5*35
x8

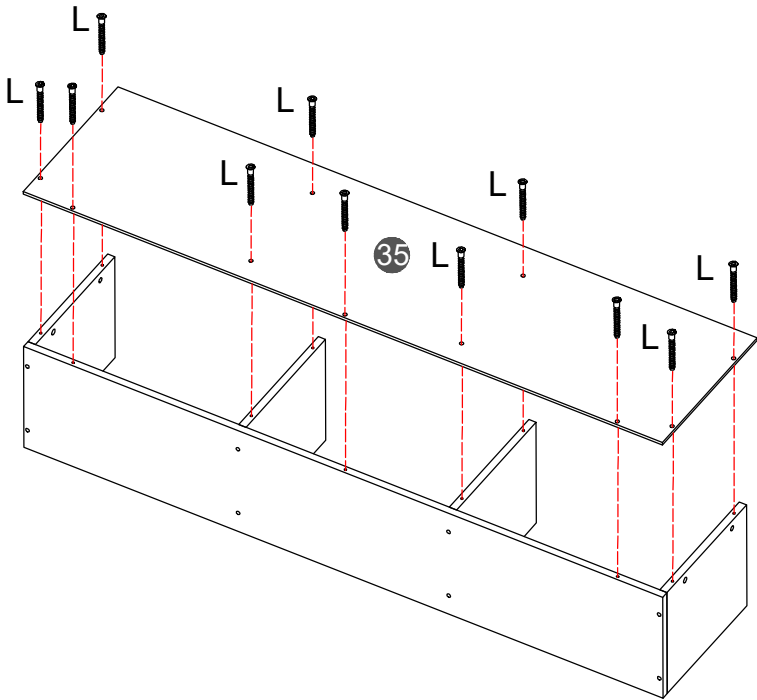
R S3
x1



24

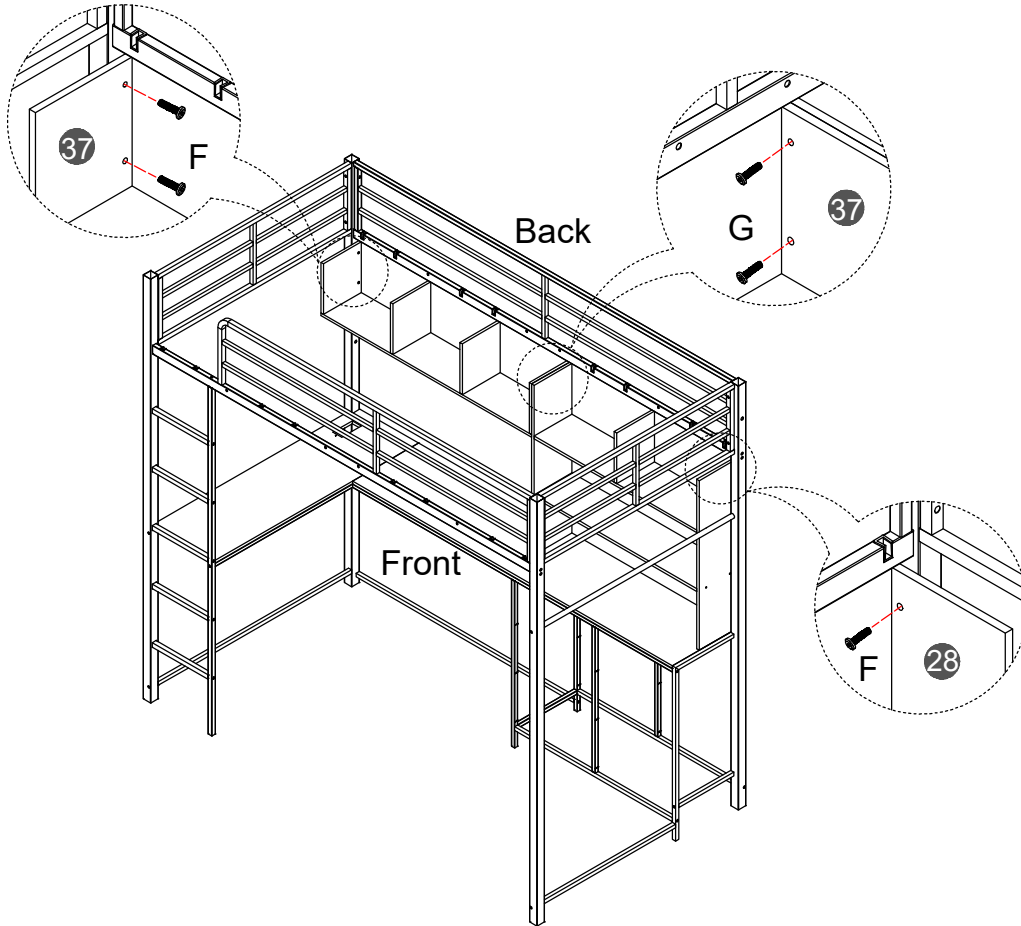
L Ø5*35
x11

R S3
x1



Assembly Instruction

25

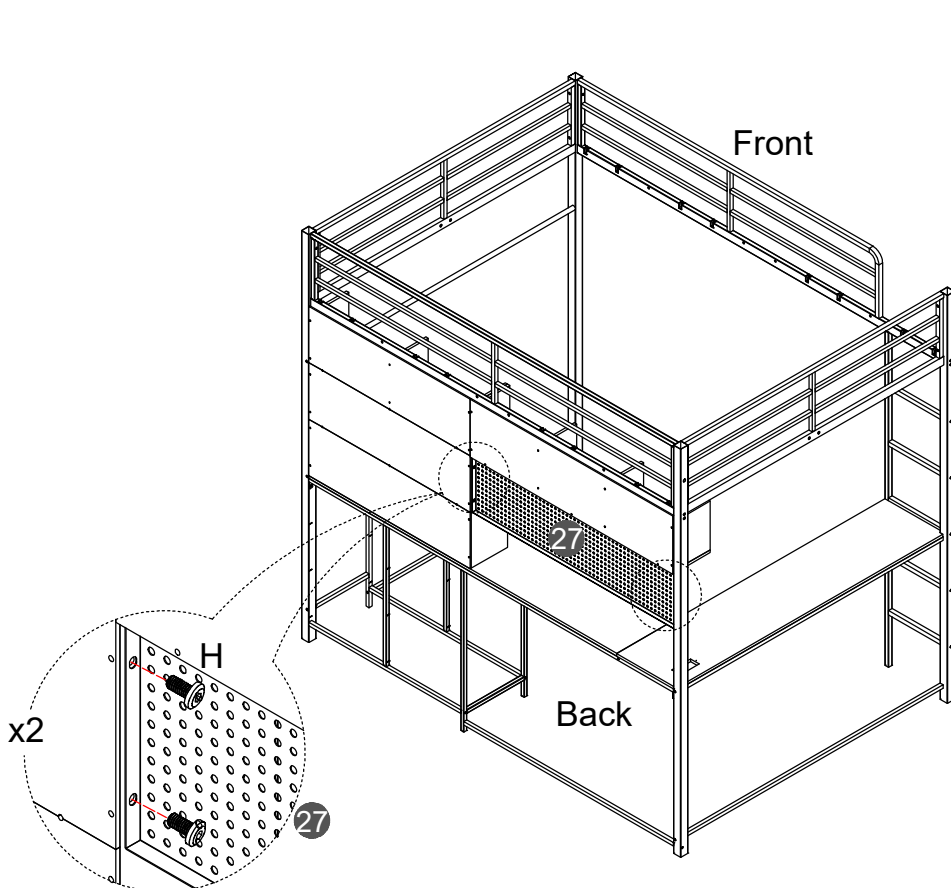


F M6*25
x3

G M6*20
x2

N S4
x1

26

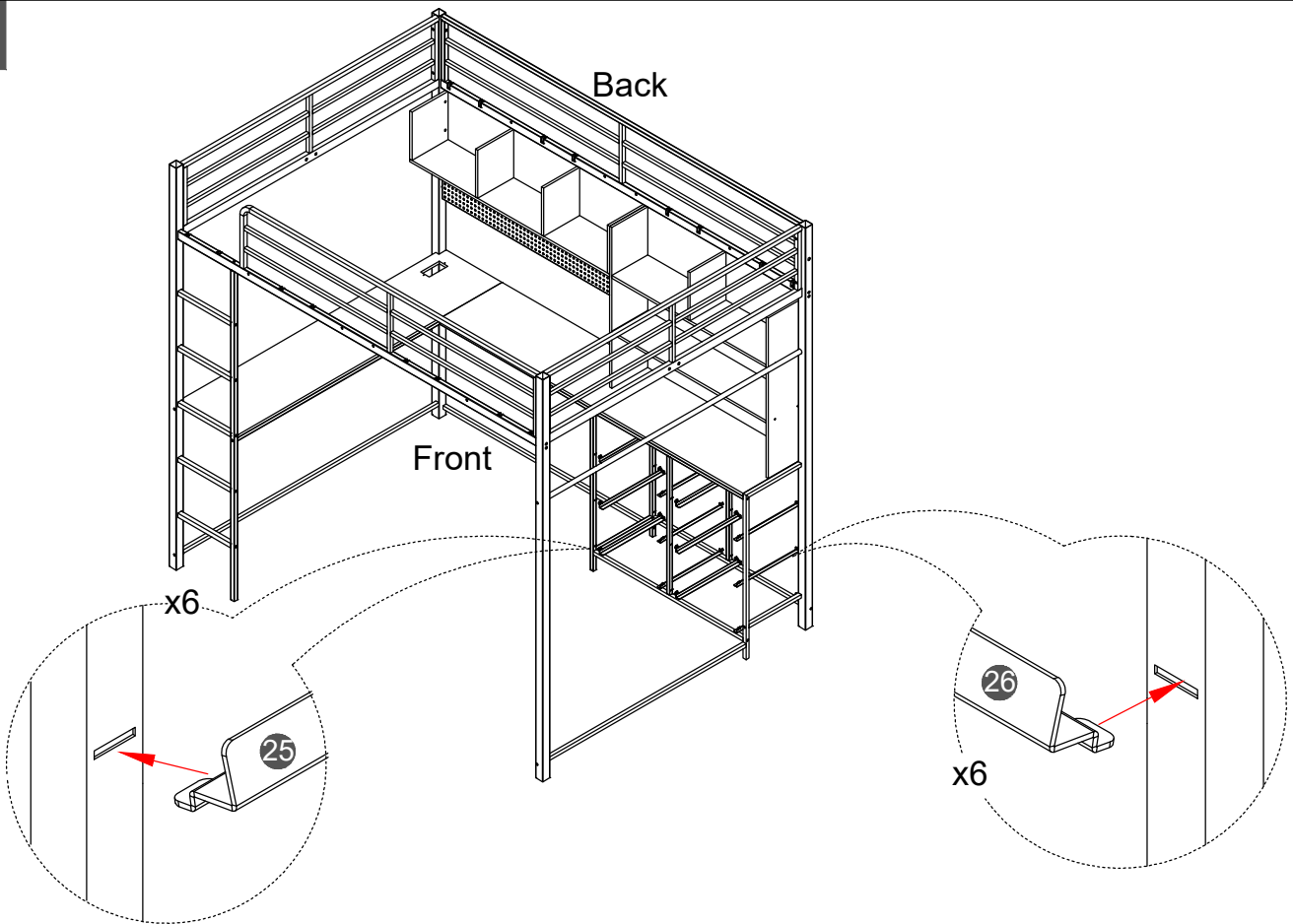


H M6*12
x4

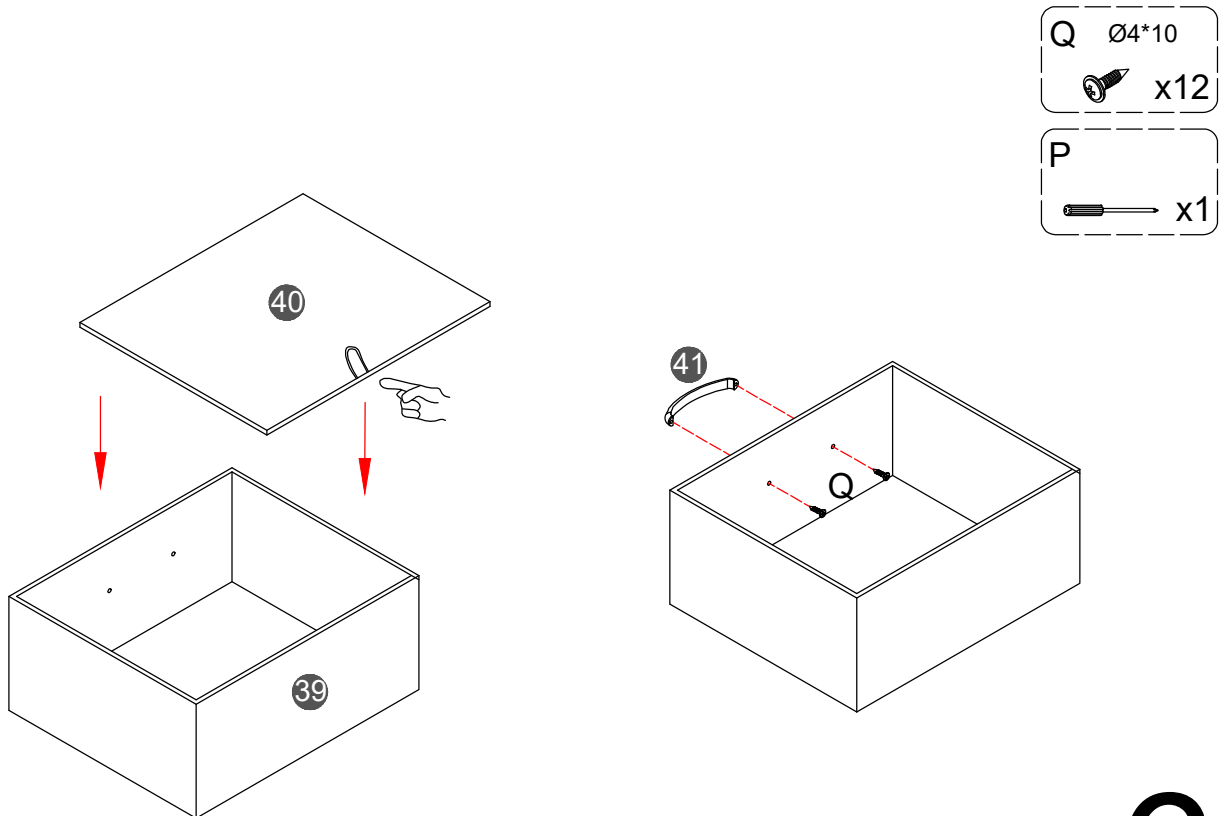
N S4
x1

Assembly Instruction

27



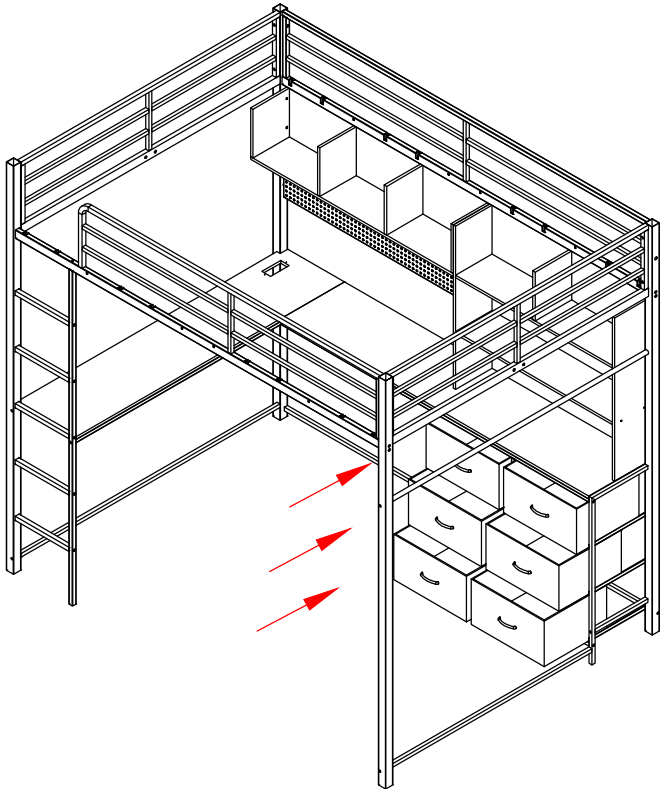
28





x6

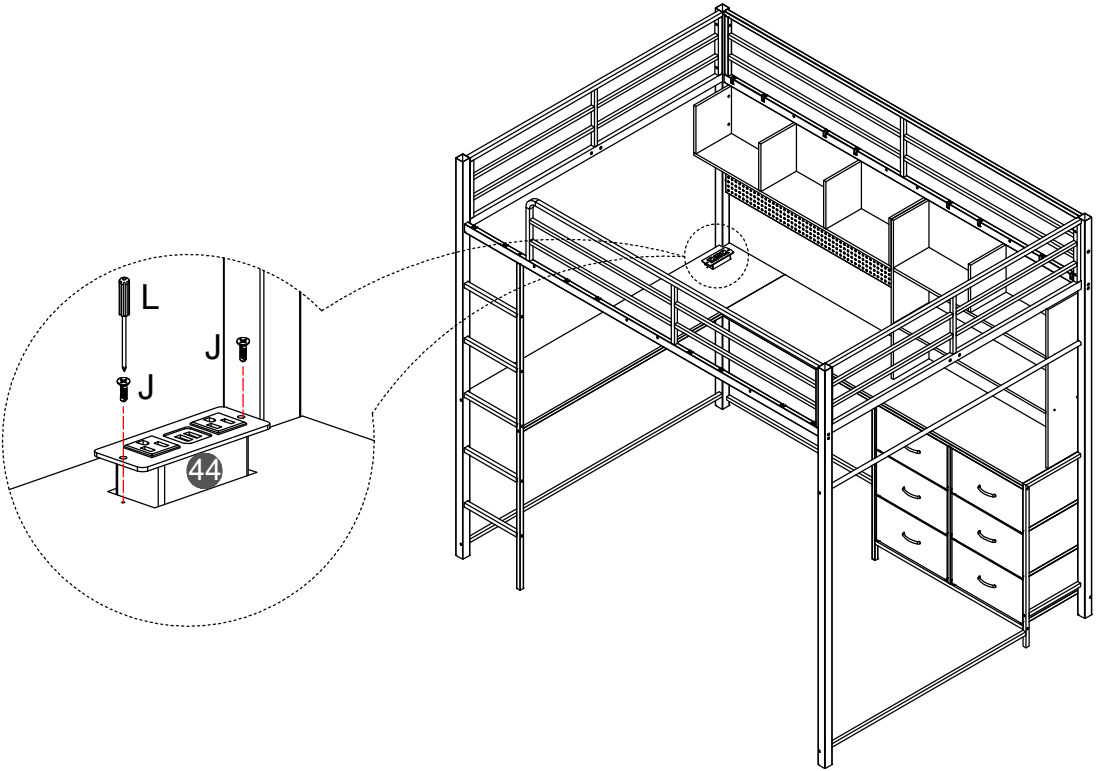
Assembly Instruction

29



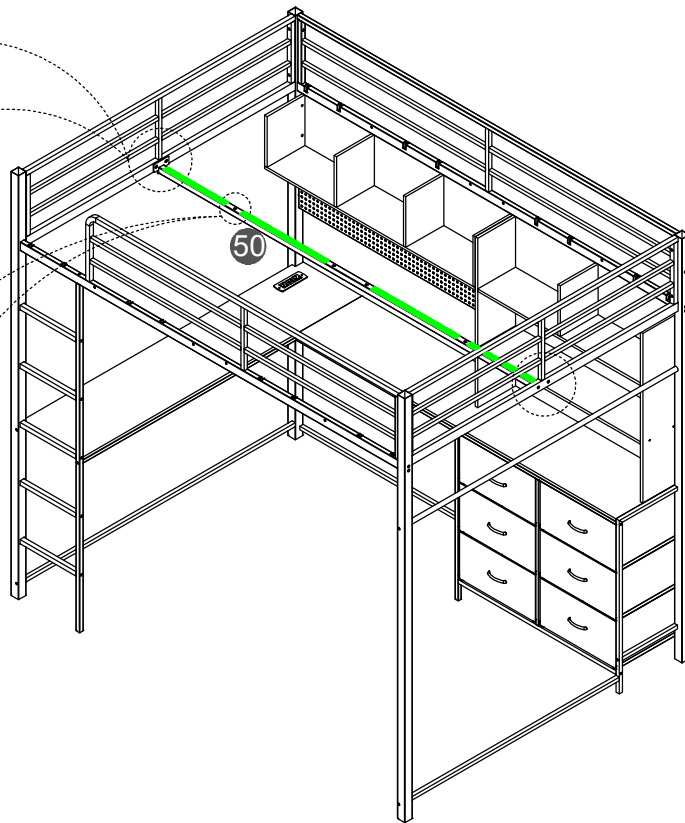
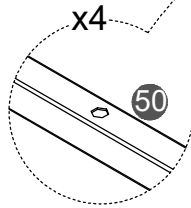
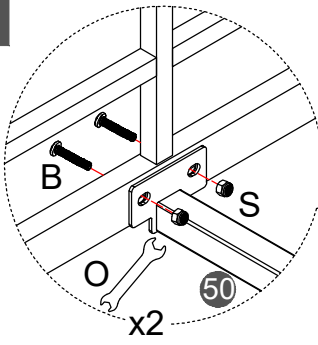
30


- J $\varnothing 3 \times 12$
 x2
- P
 x1





Assembly Instruction

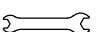
31



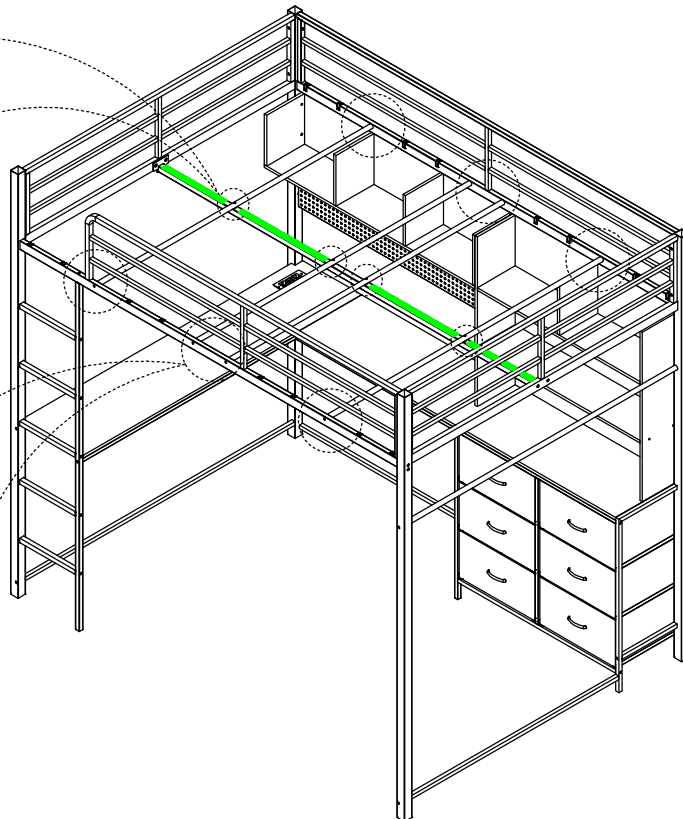
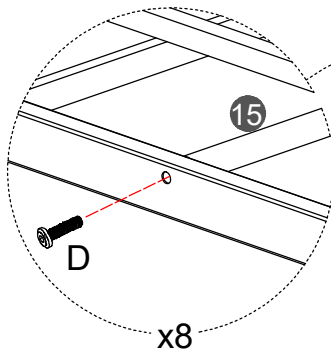
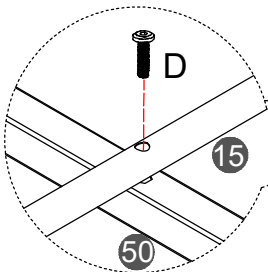
B M8*35
 x4


S M8
 x4


N S4
 x1

O S10, S13
 x1

32

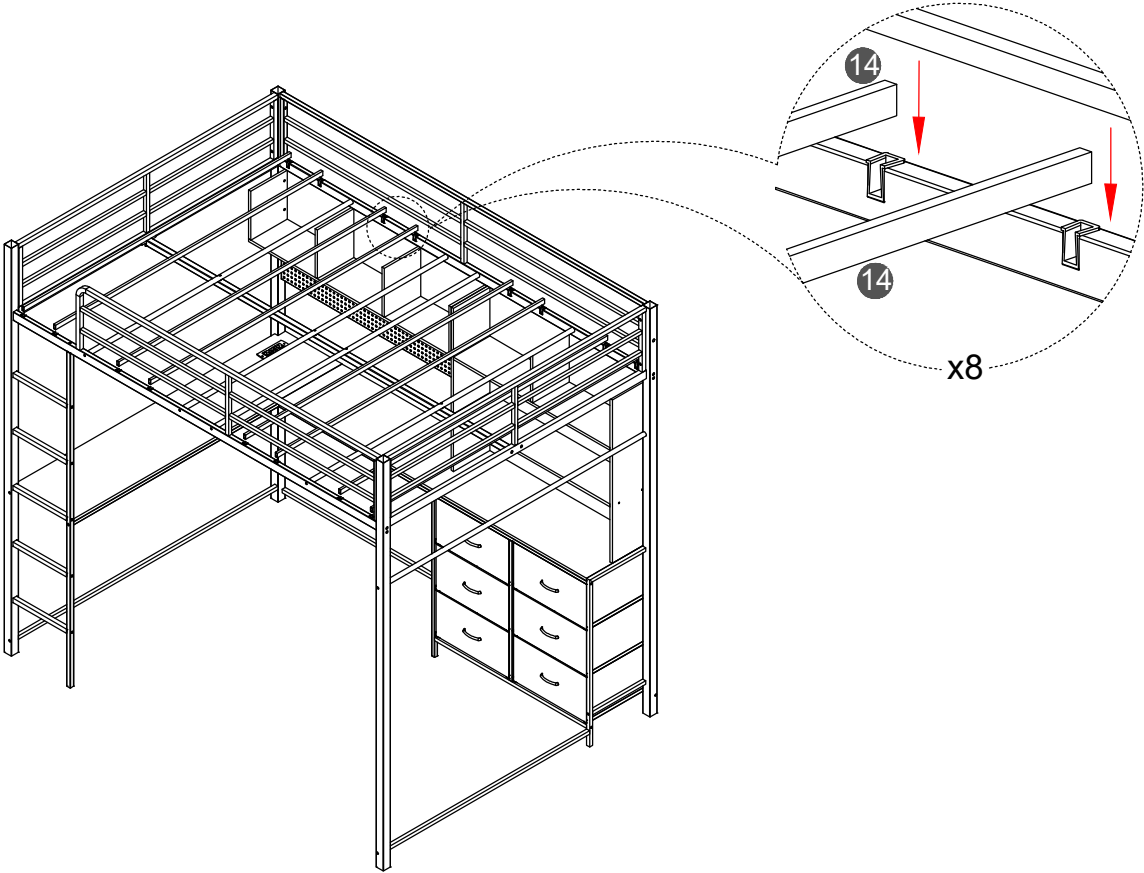


D M6*35
 x12

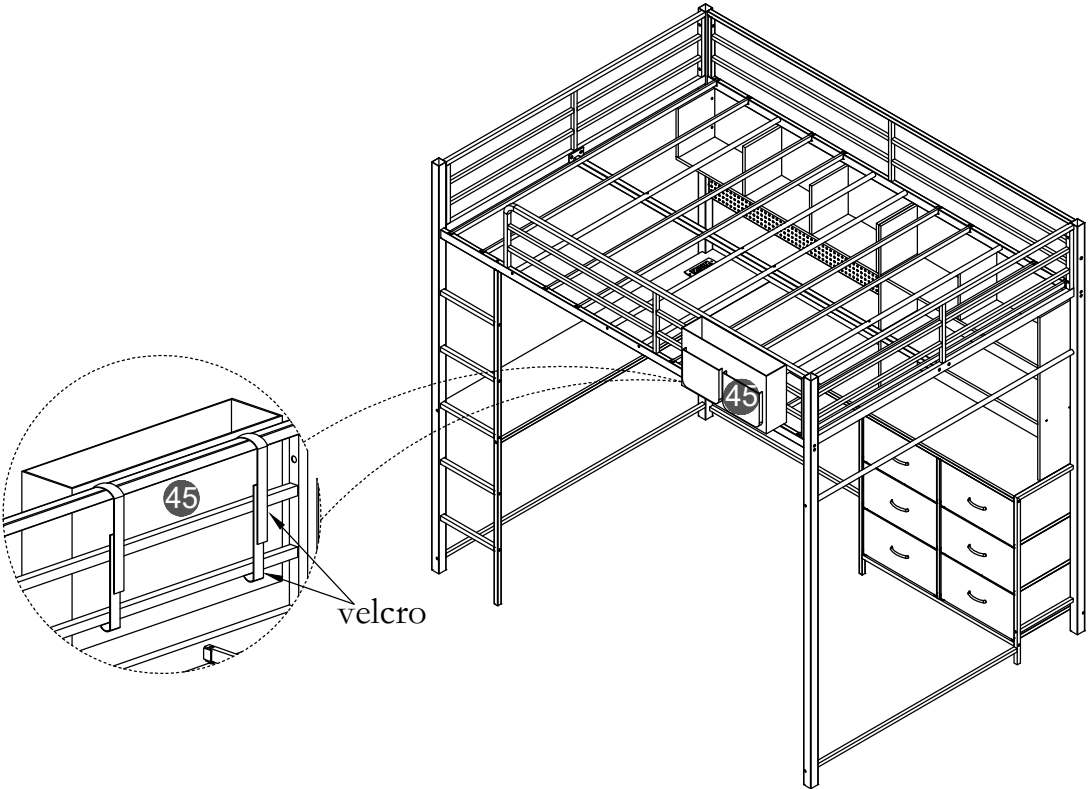
N S4
 x1

Assembly Instruction

33



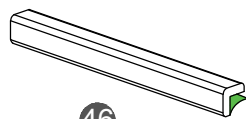
34



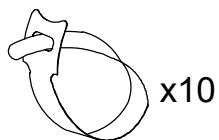
Assembly Instruction

35

DIY

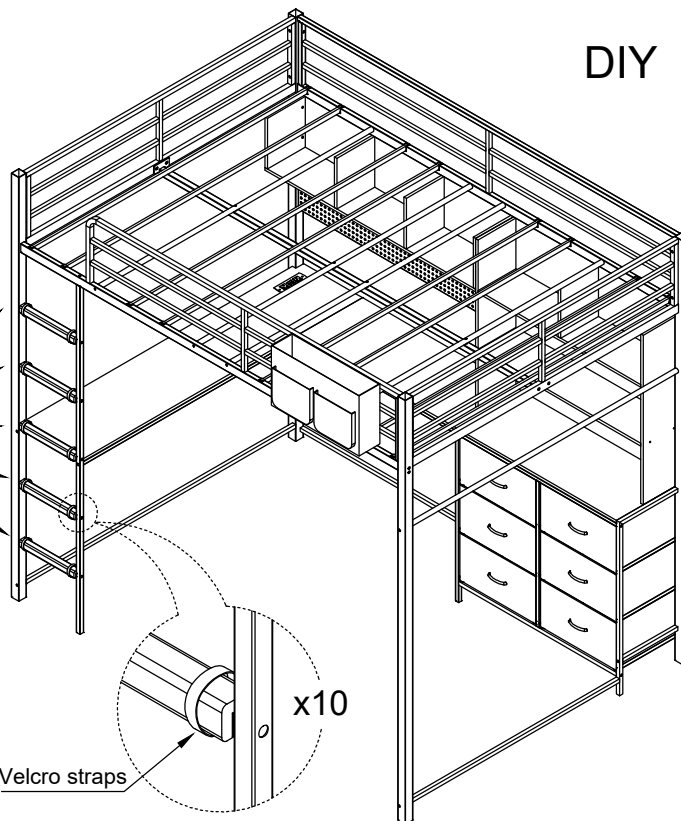


46



Velcro straps x10

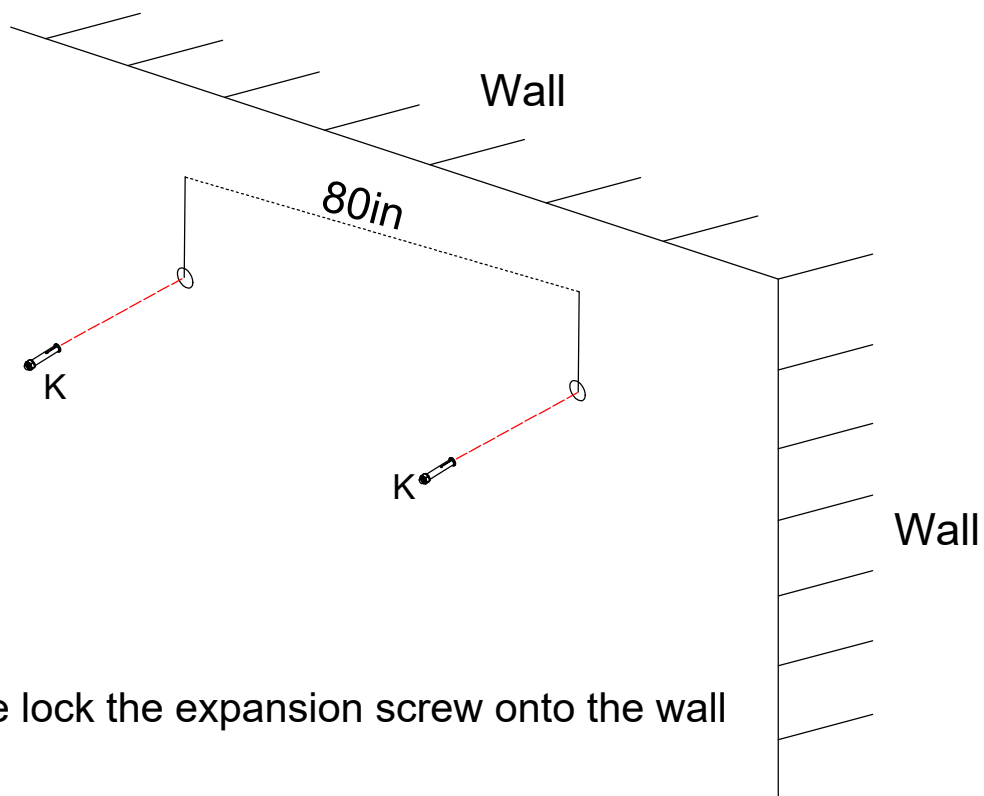
46



Thread the strap through the slot on the head and gently tighten it.

After removing the tape from the sponge, secure the sponge to the stair railing and reinforce it with Velcro straps.

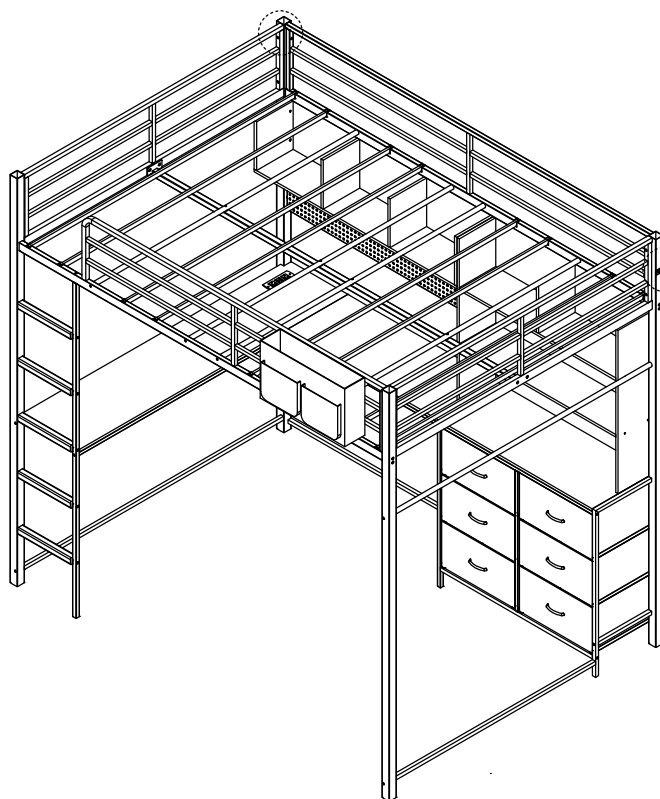
36



please lock the expansion screw onto the wall

Assembly Instruction

37



E M8*15
x2

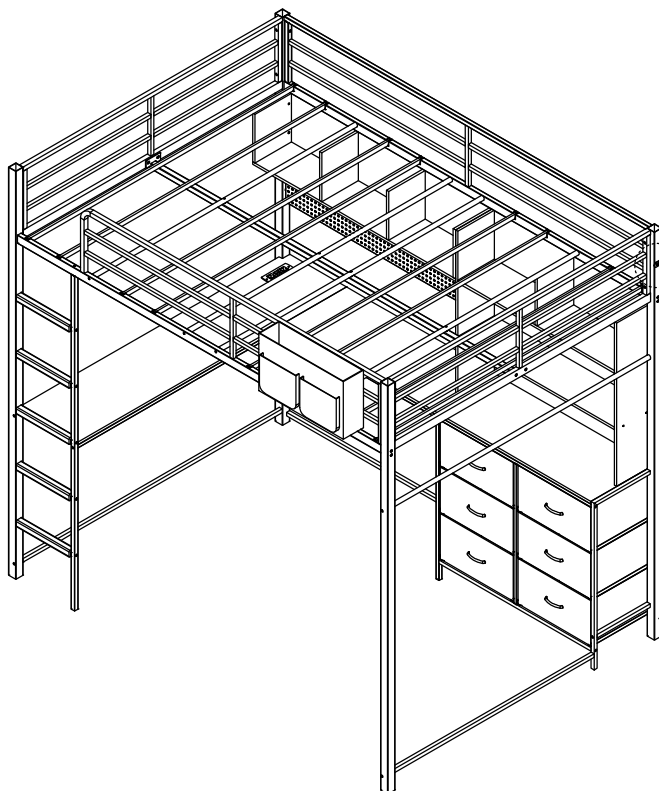
N S4
x1

x2

47

E

38



K M6*50
x2

O S10,S13
x1

x2

K

O

Assembly Instruction

39

DIY LED

