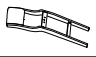
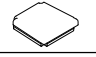


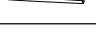


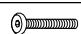
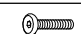
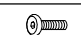


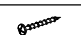




ASSEMBLY INSTRUCTIONS

Don't tighten any bolts until all bolts on a step have been started!

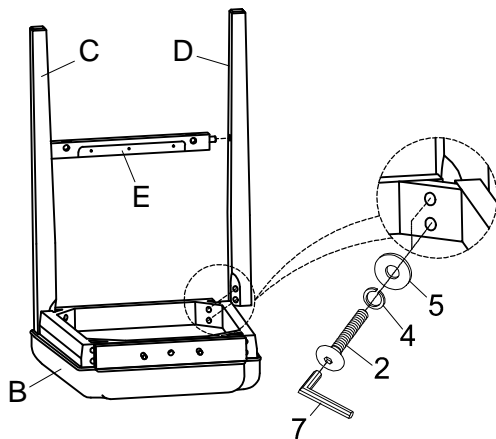
Thank you for purchasing this quality product. Be sure to check all packing material carefully for small parts, which may have come loose inside the carton during shipment. Identify and count all parts and compare with the HARDWARE LIST below.

NO.	PARTS LIST		Q'TY
A		Stool Back	1
B		Fabric Seat	1
C		Left Leg	1
D		Right Leg	1
E		Front Stretcher	1
F		X-Stretcher-Up	1
G		X-Stretcher-Low	1

NO.	HARDWARE LIST		Q'TY
1		1/4"*3-1/4"	4
2		1/4"*2-1/4"	4
3		1/4"*1-1/2"	1
4		1/4"	9
5		1/4"*19mm	9
6		8*38mmL	6
7		Allen Wrench	1

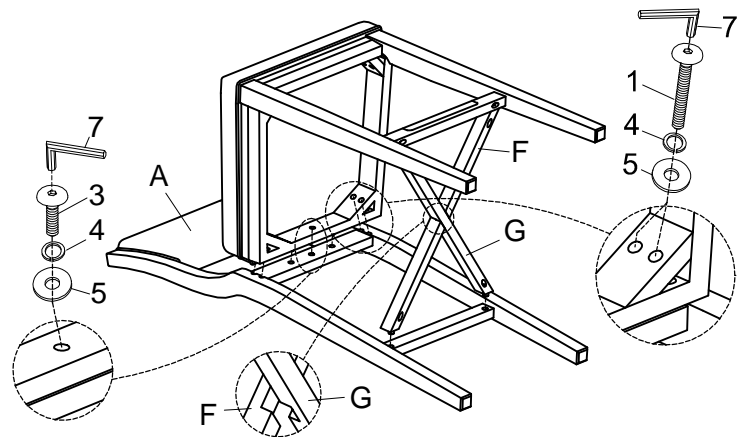
 Philips Head Screwdriver required for assembly, but not included.

STEP 1:



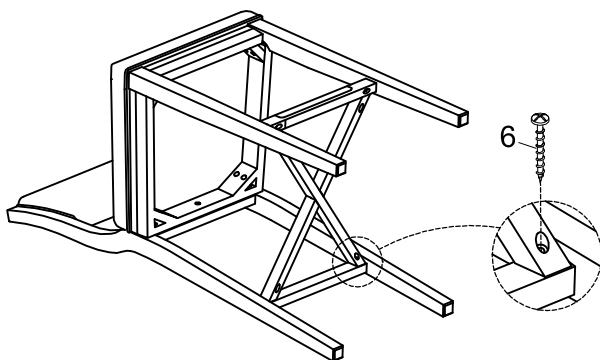
1. Loosely attach the Left leg(C) and Right leg(D) to the Linen Fabric Seat(B), using Bolts(7+2+4+5) to tighten, as shown.

STEP 2:



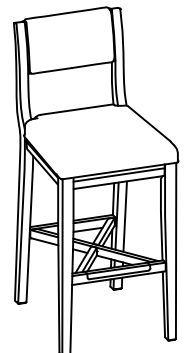
1. Loosely attach the Fabric Seat (B) to the Stool Back(A), using Bolts(7+3+4+5) and Bolts(7+1+4+5) to tighten, as shown.

STEP 3:



1. Attach the Front stretcher(E) and X-Stretcher-Up(F) X-Stretcher-Low(G) to the Stool Back, using Screw(6) and a Philips head screwdriver to tighten, as shown.

STEP 4:



1. Right side up the stool.
2. It's complete for using.

Caution: 1. All bolts must be tightened mandatorily in the final step.
2. It is also mandatorily recommended to periodically check bolts and retighten as needed.