

ASSEMBLY INSTRUCTIONS



DINING TABLE

ASSEMBLY INSTRUCTIONS

ASSEMBLY TIPS:

1. Remove hardware from box and sort by size.
2. Please check to see that all hardware and parts are present prior to start of assembly.
3. Please follow attached instructions in the same sequence as numbered to assure fast & easy assembly.





WARNING!

1. Don't attempt to repair or modify parts that are broken or defective. Please contact the store immediately.
2. This product is for home use only and not intended for commercial establishments.

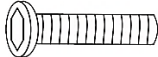


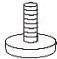

ASSEMBLY TIME

10 MINUTES

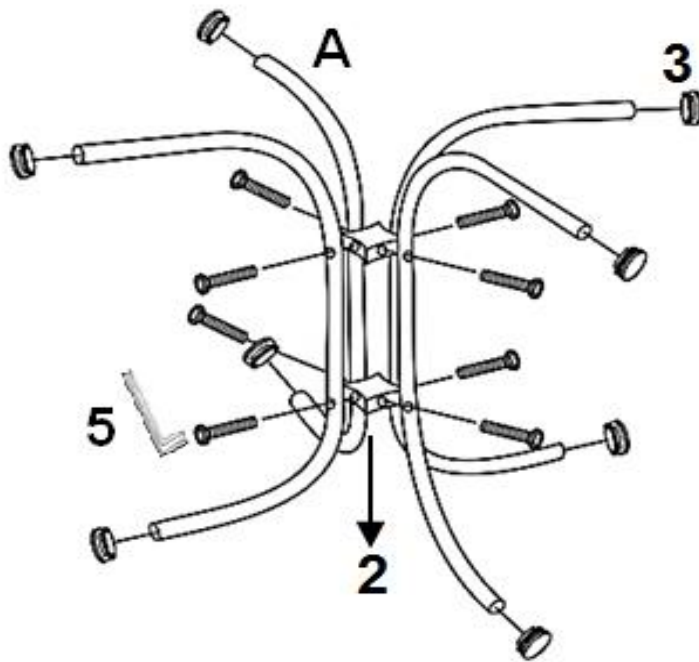
PARTS IDENTIFICATION

A	LEG		4PCS
B	TABLE TOP		1PCS

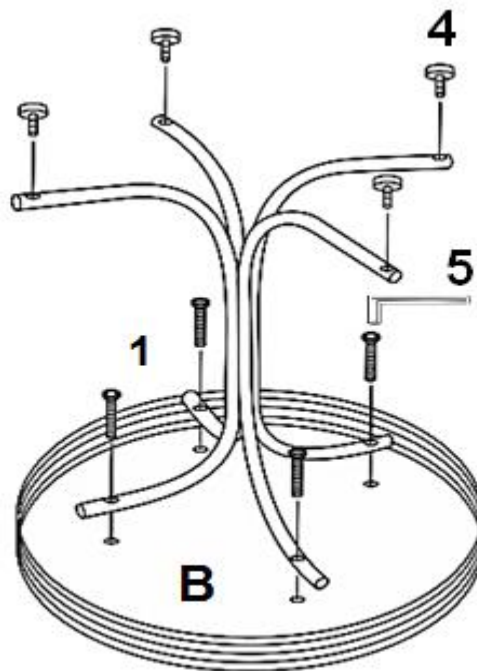
HARDWARE IDENTIFICATION

1	BOLT (1/4" x 38mm)		12PCS
2	JUNCTION PIECE		2PCS
3	END CAP (1-1/4")		10PCS
4	LEVELER (1/4")		4PCS
5	WRENCH (4mm)		1PC

ASSEMBLY INSTRUCTIONS
STEP 1



STEP 2



ASSEMBLY INSTRUCTIONS
STEP 3
COMPLETE



