

If you encounter any problems, please feel free to get in touch with our after-sales team, you can reach out to us through the following methods:

Email: newtimes4990@gmail.com

Website: timu-group.com



 SCAN ME



S9811LE - Installation Video

S9811LE

Shower Door
1/4" glass (6mm)

Installation Dimensions :

55" - 60" W x 72" H

49" - 54" W x 72" H

43" - 48" W x 72" H

61" - 66" W x 72" H

67" - 72" W x 72" H

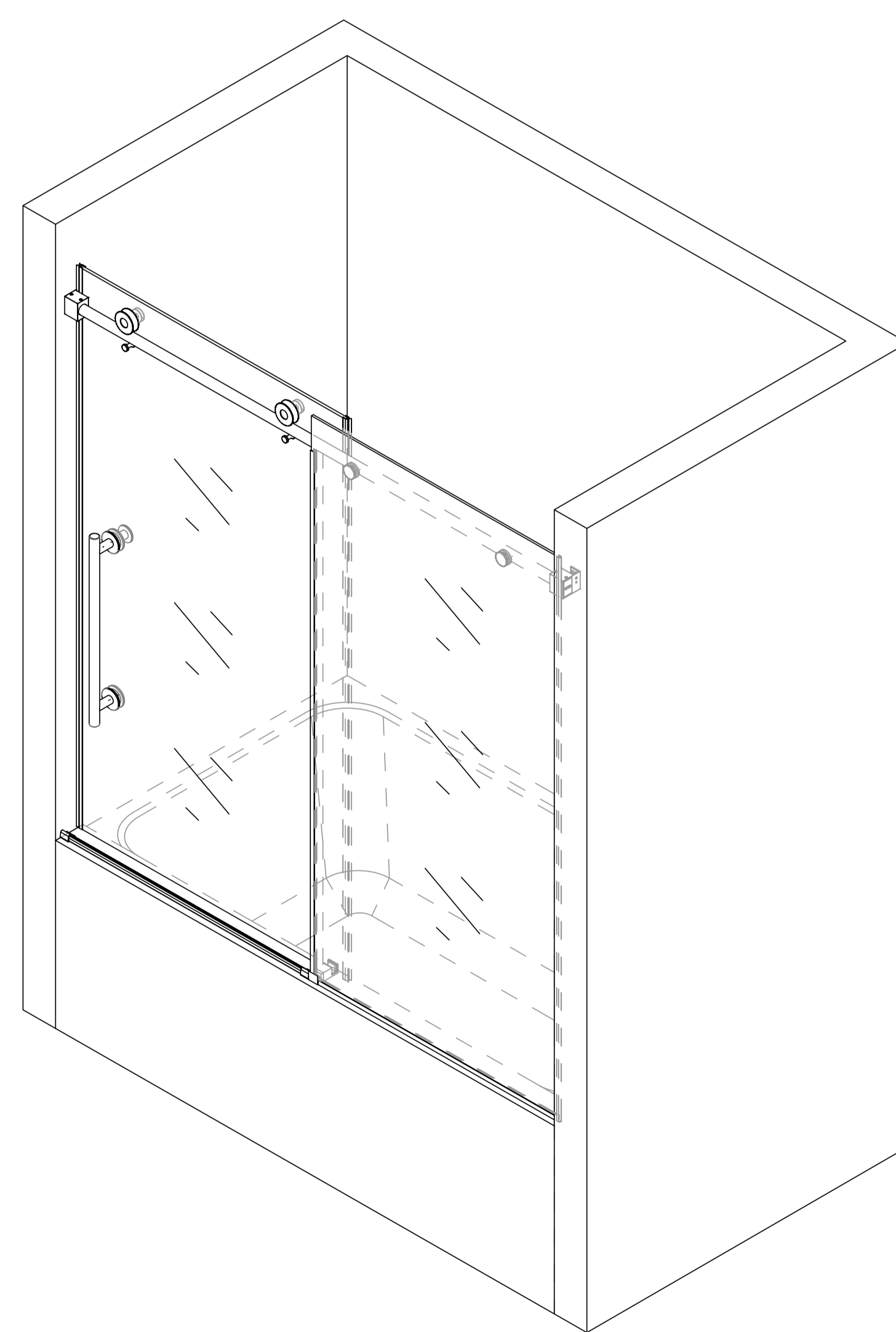
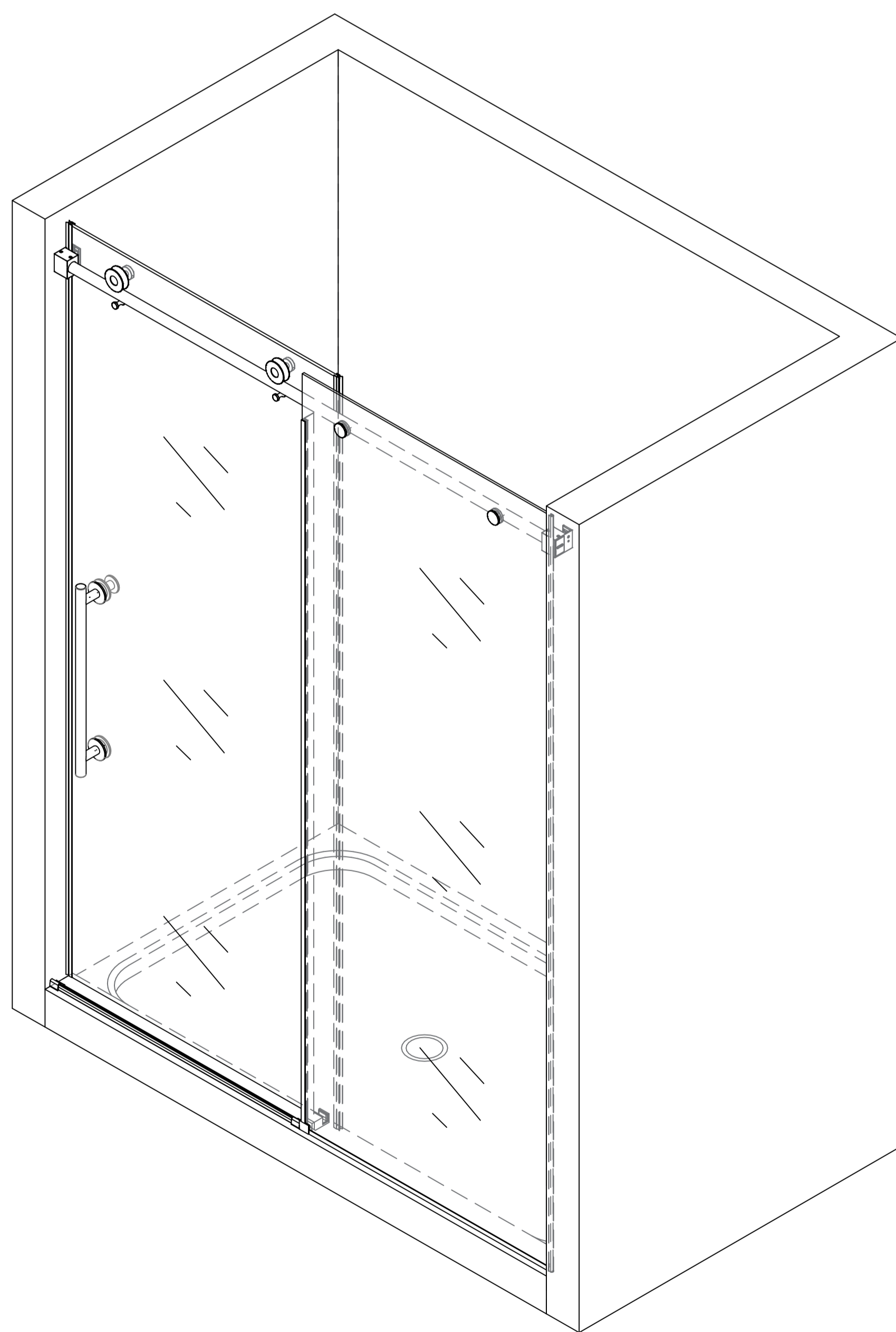
55" - 60" W x 60" H

S9811E/S9811LE INSTALLATION GUIDE

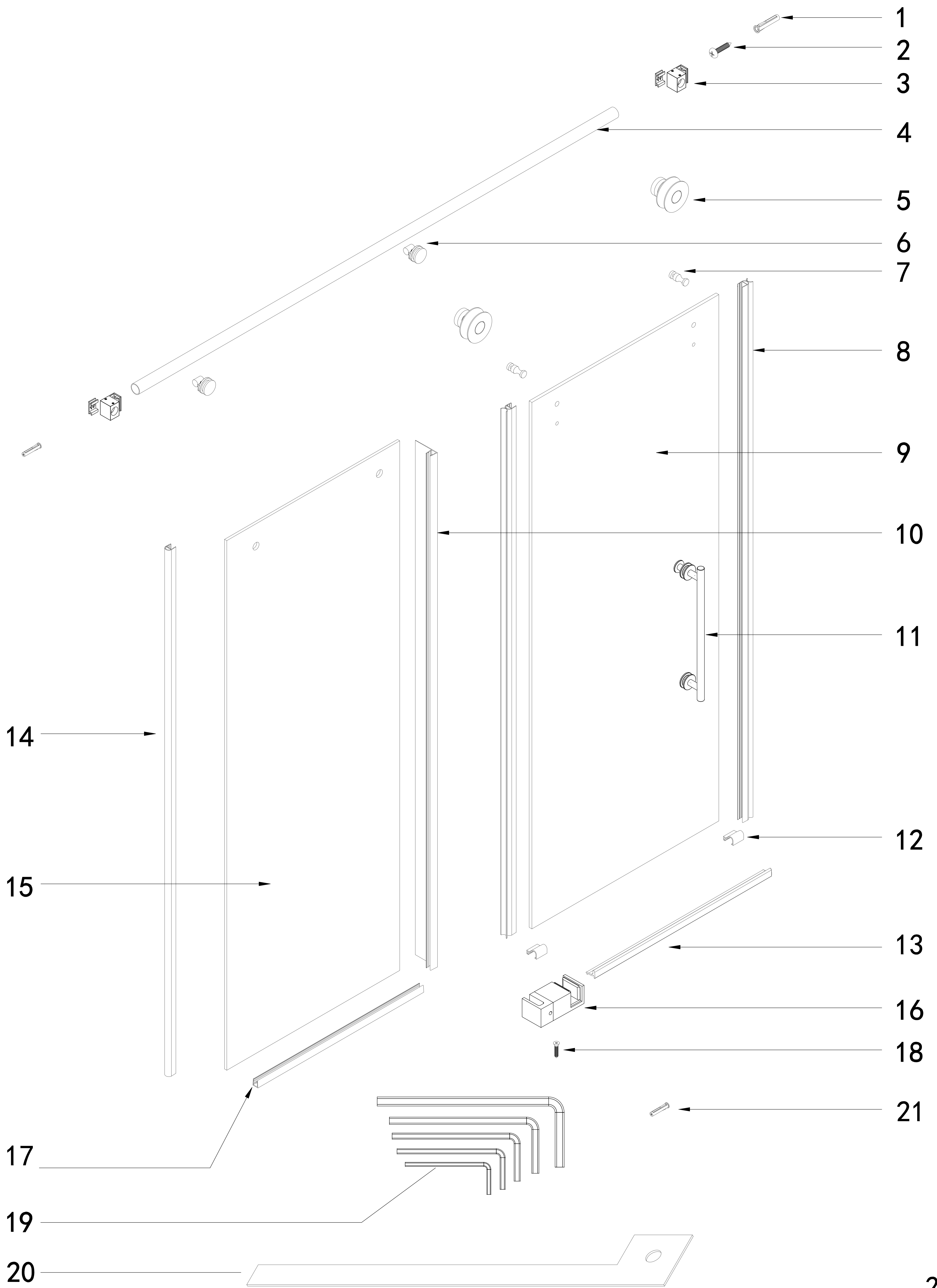
CAUTION:

To reduce the risk of breakage, keep corner protectors on the glass while installing. Keep any space corner protectors for later use in case future adjustments are needed.

Consult your local plumbing codes prior to installation.








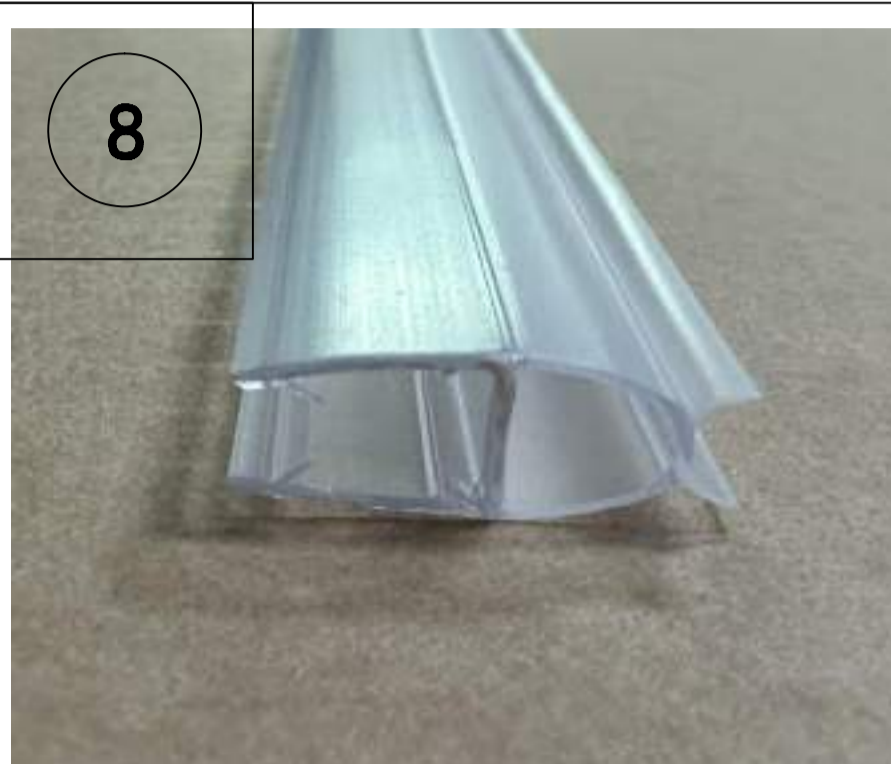
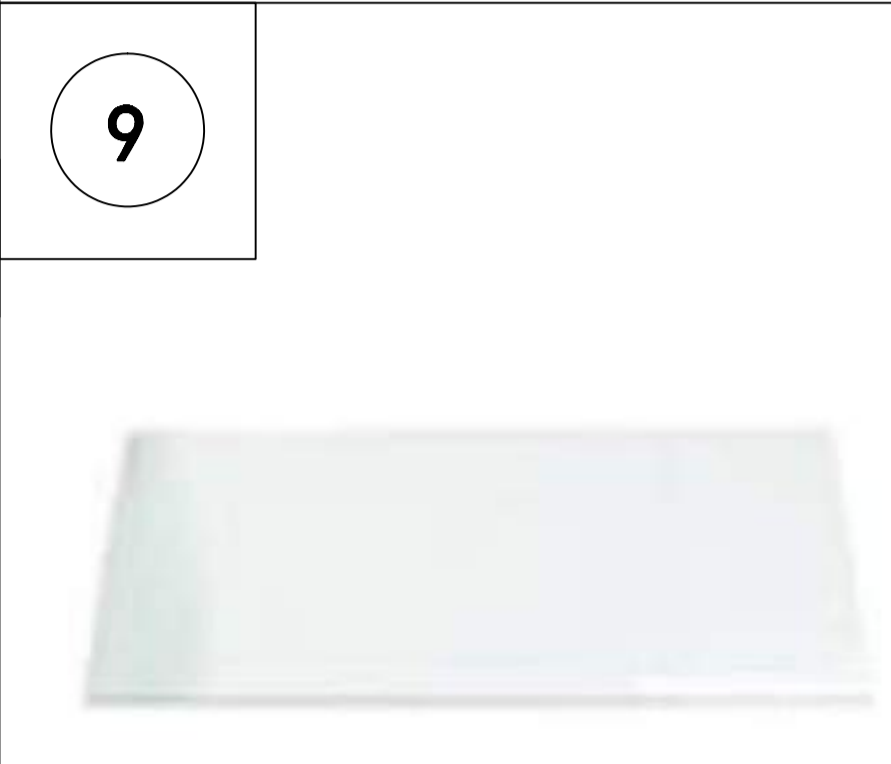
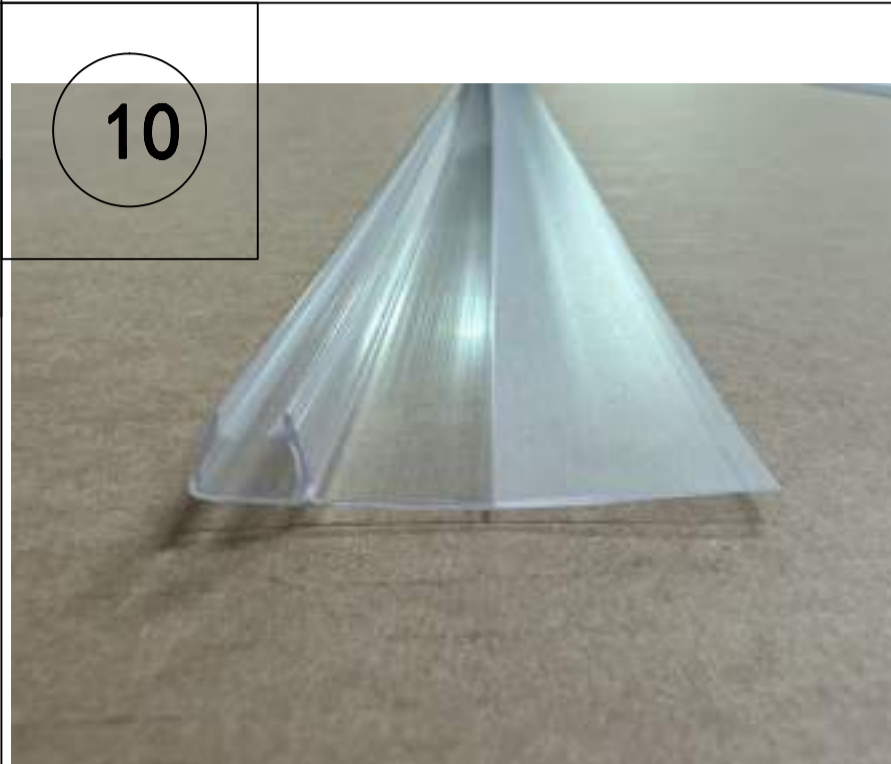




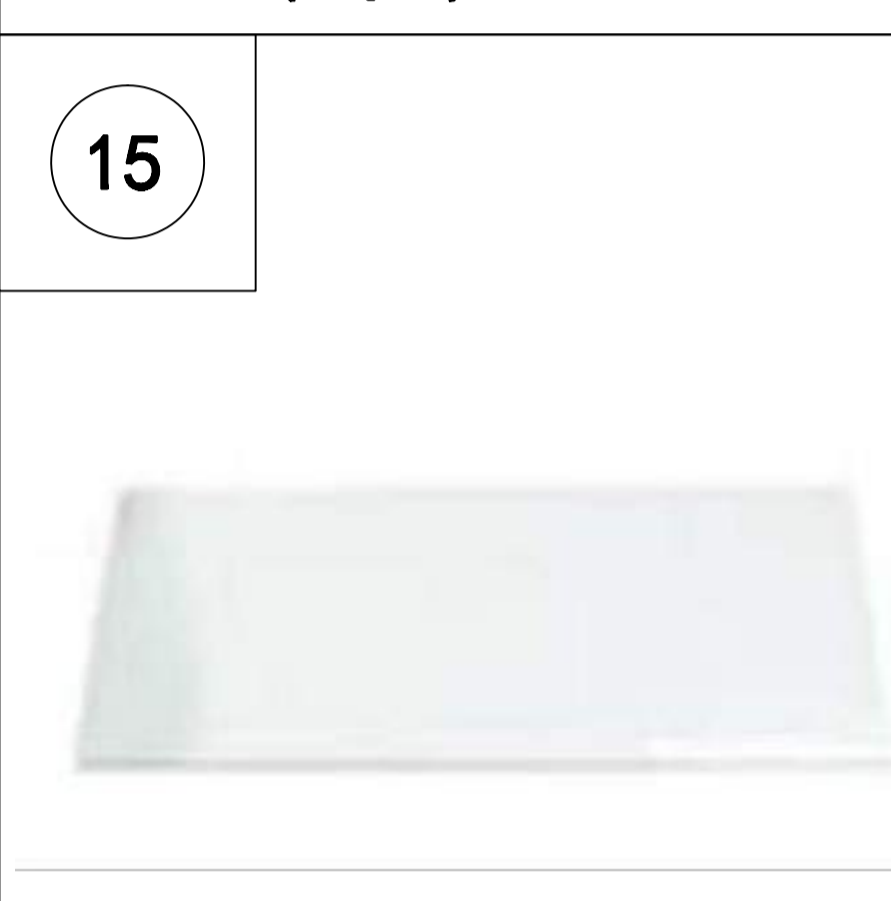

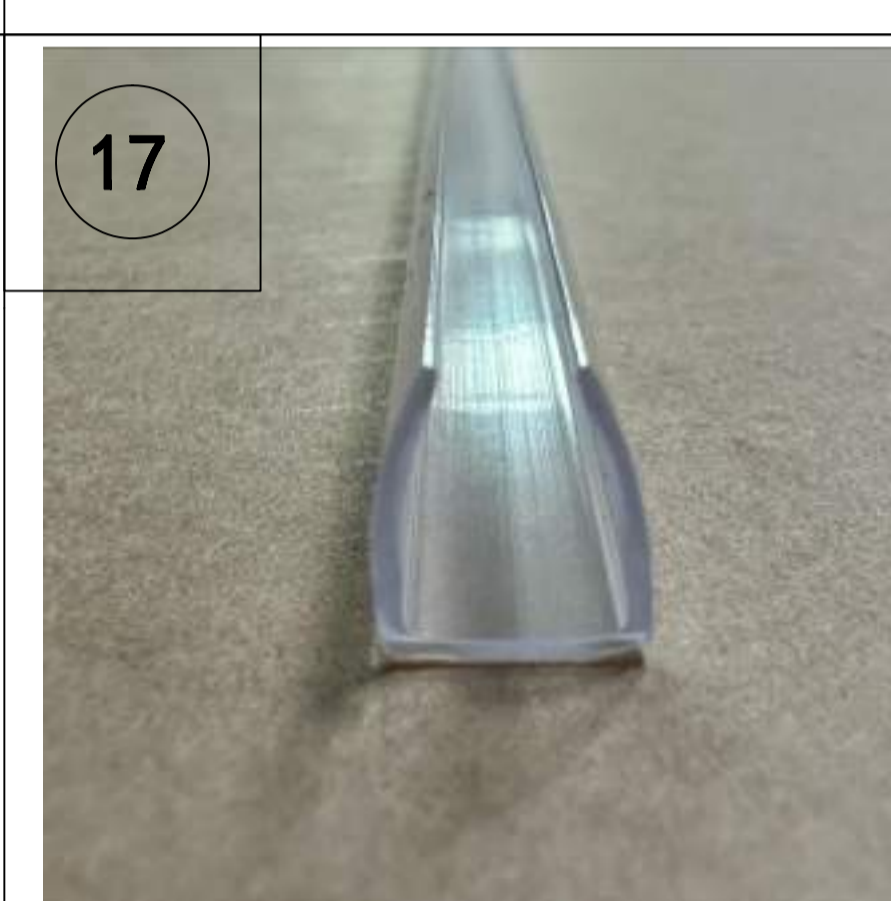
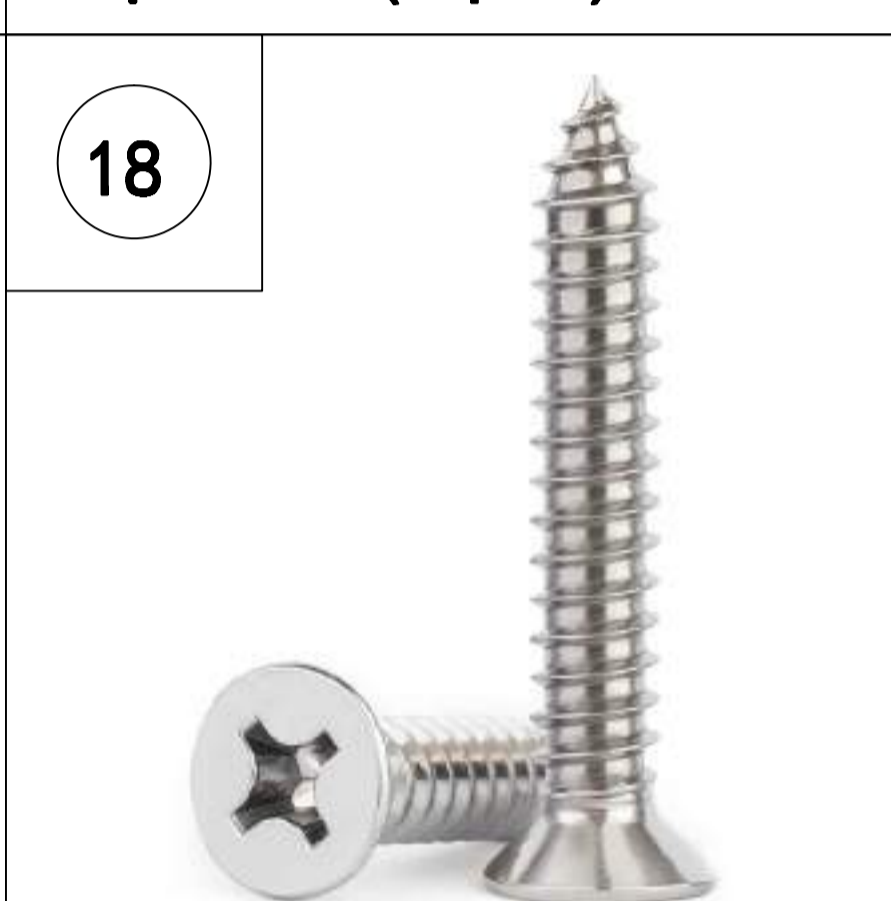

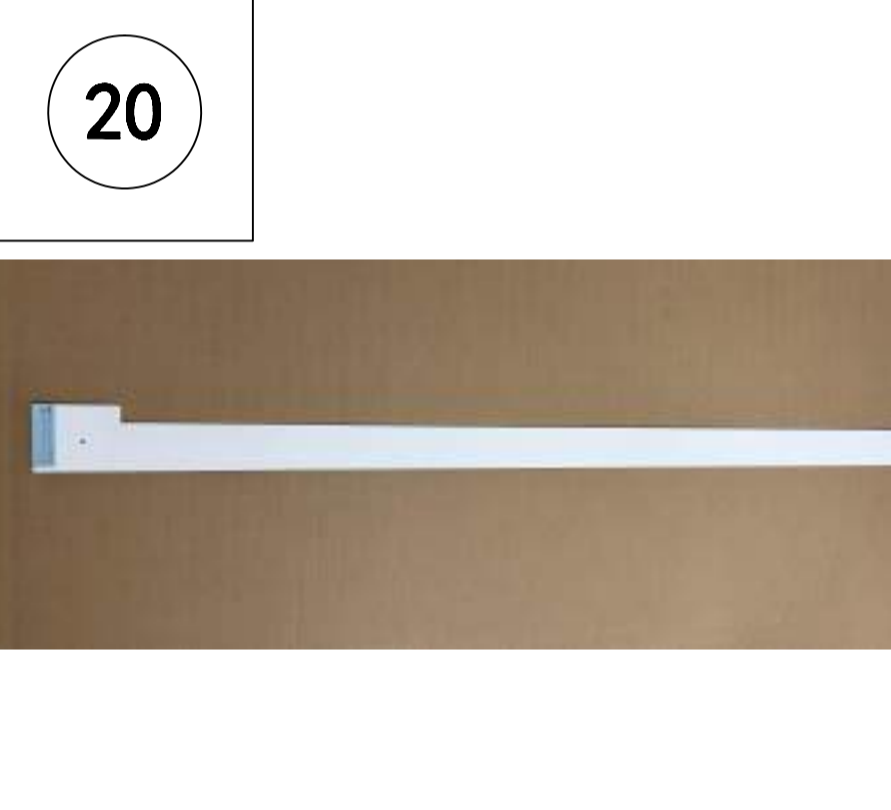



Detailed Diagram

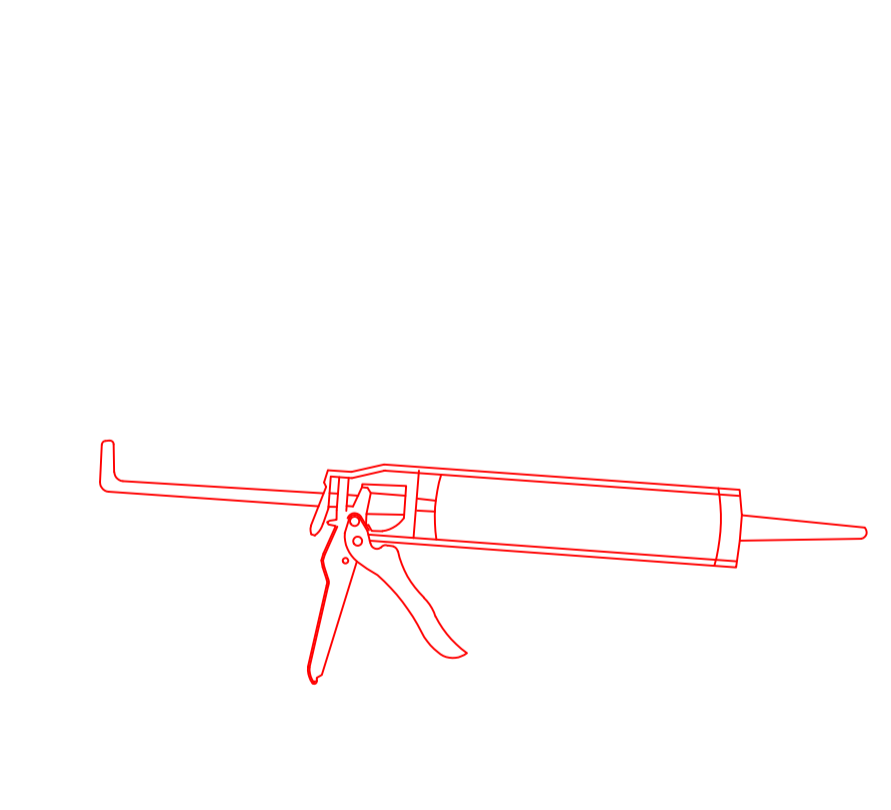
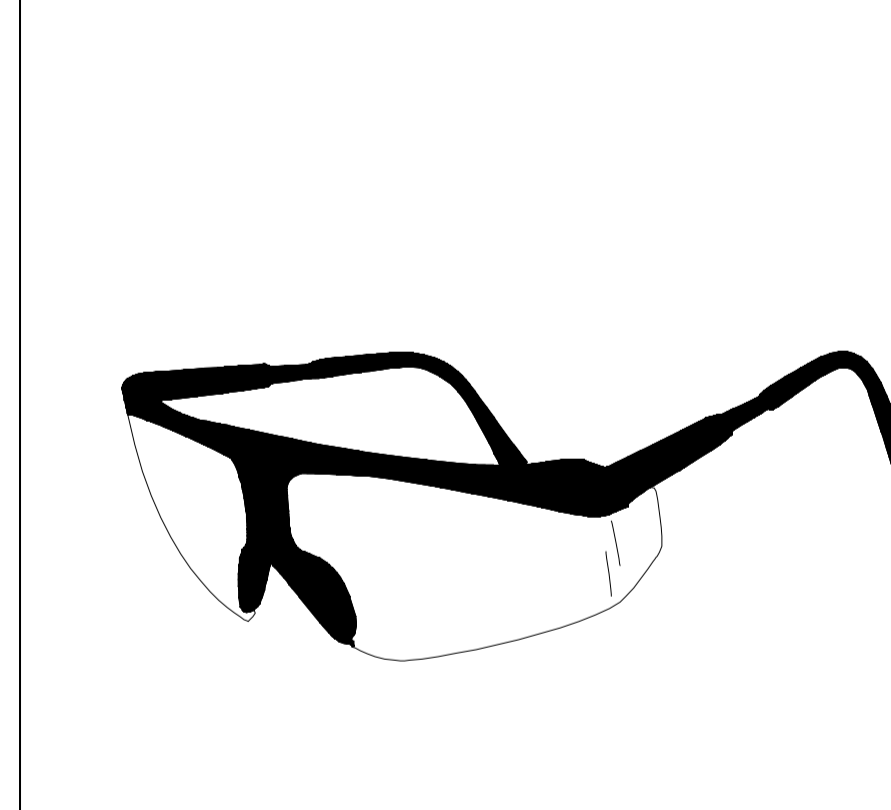
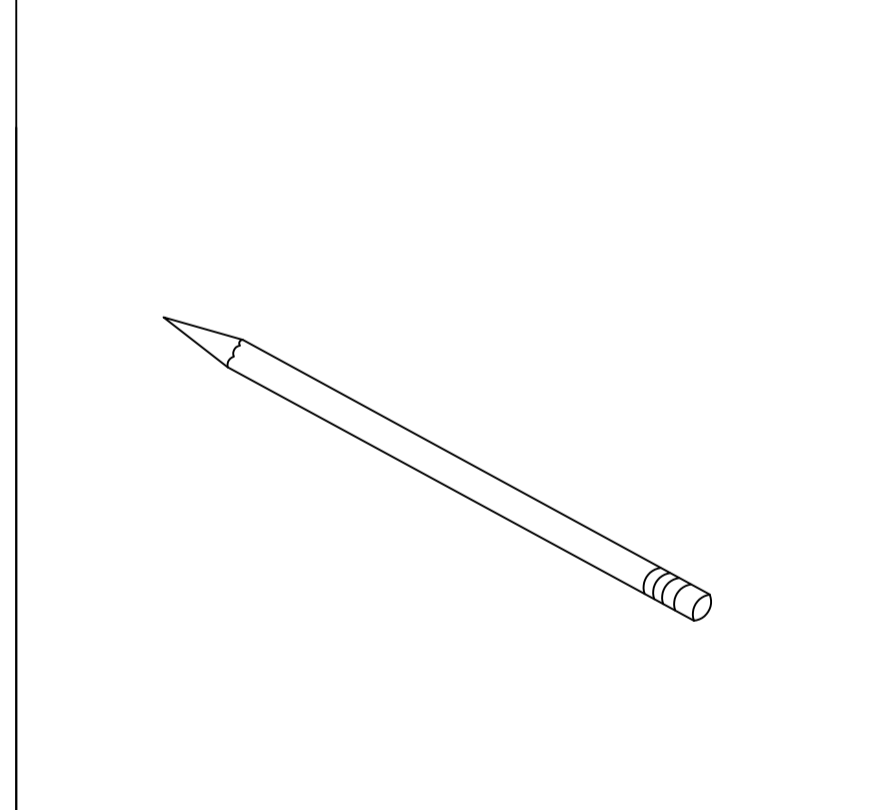
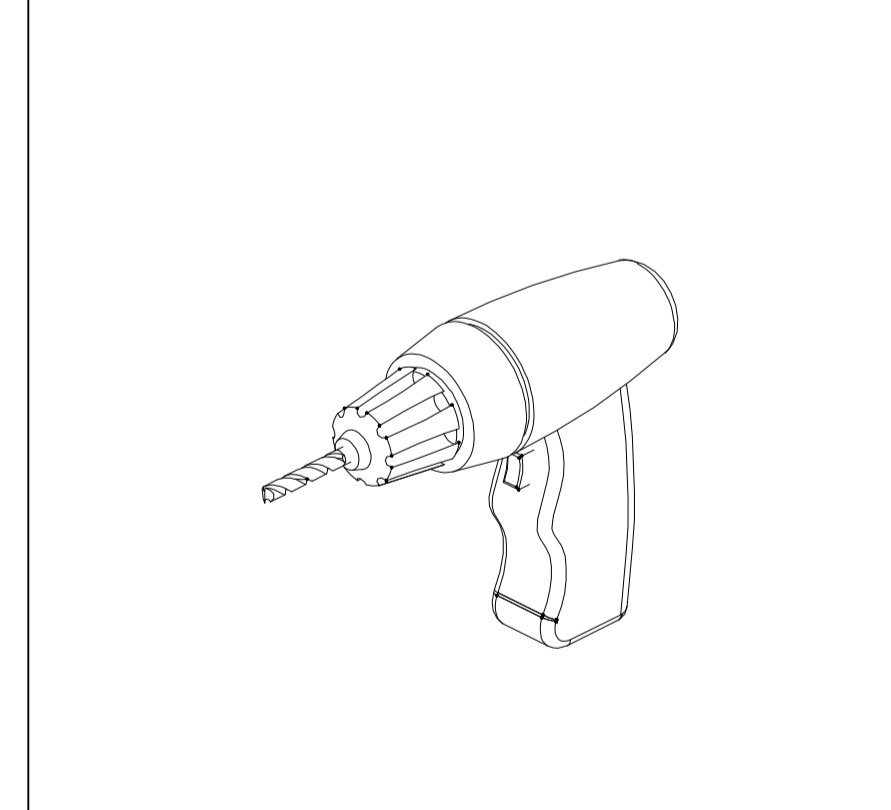
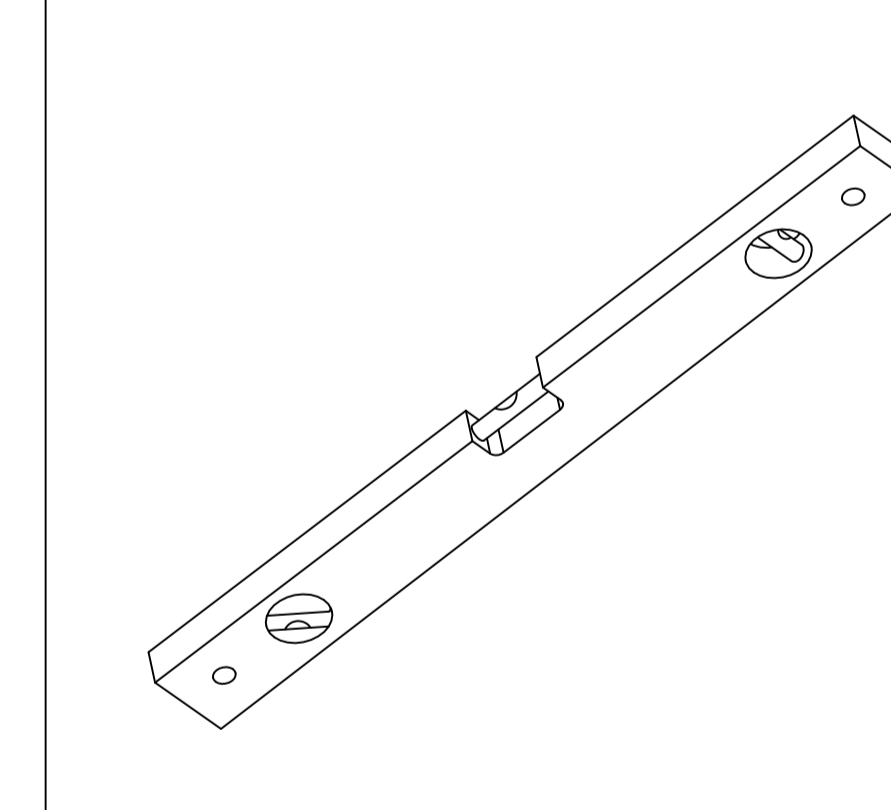
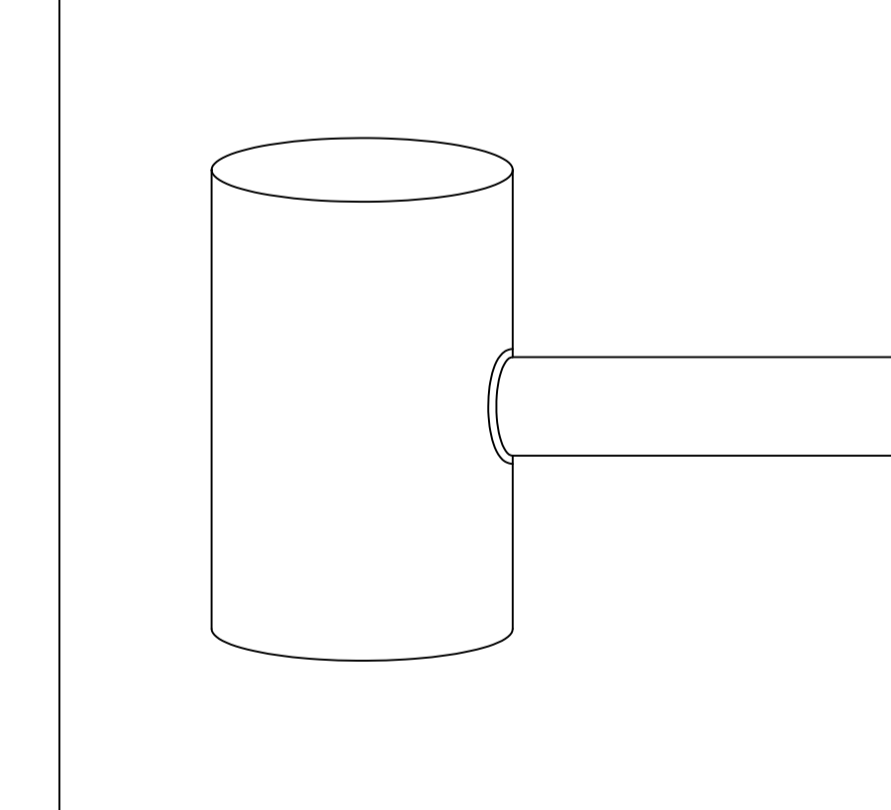
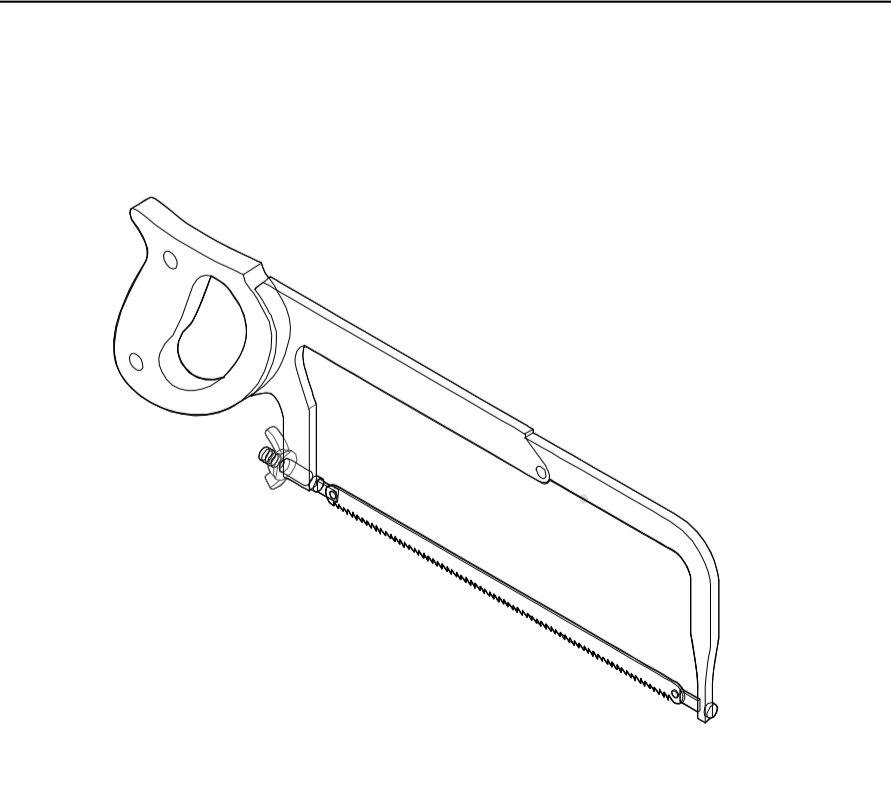
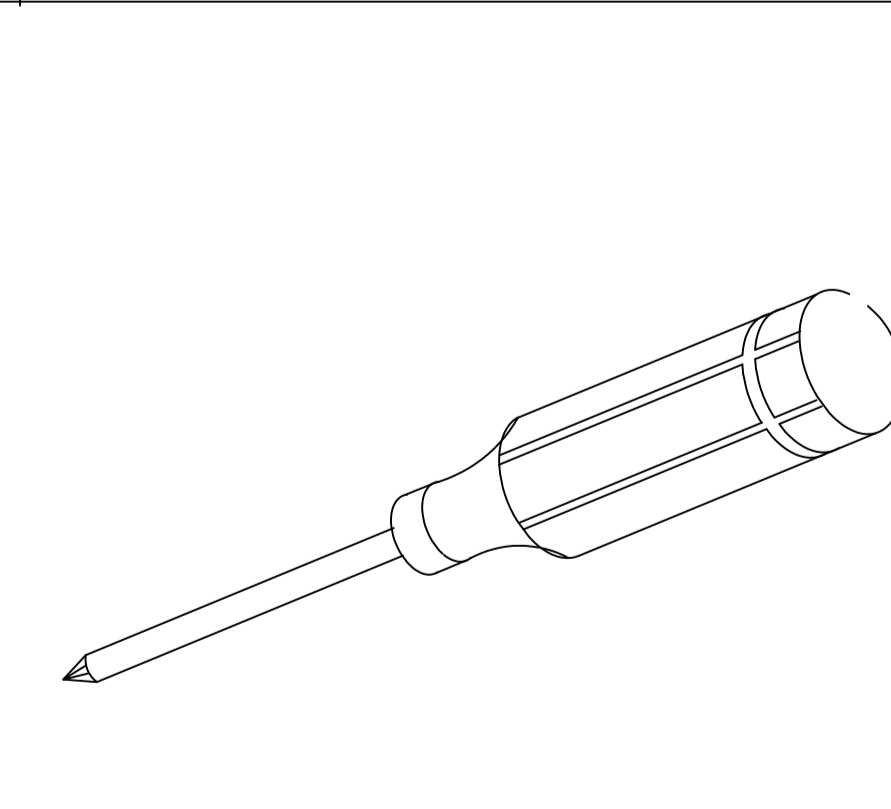
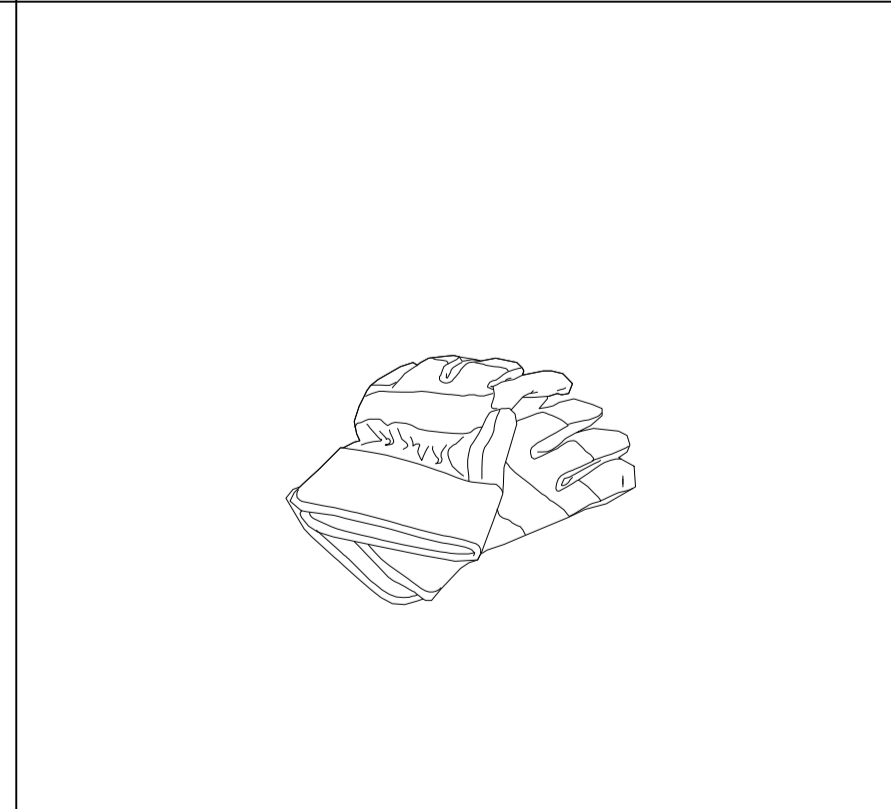
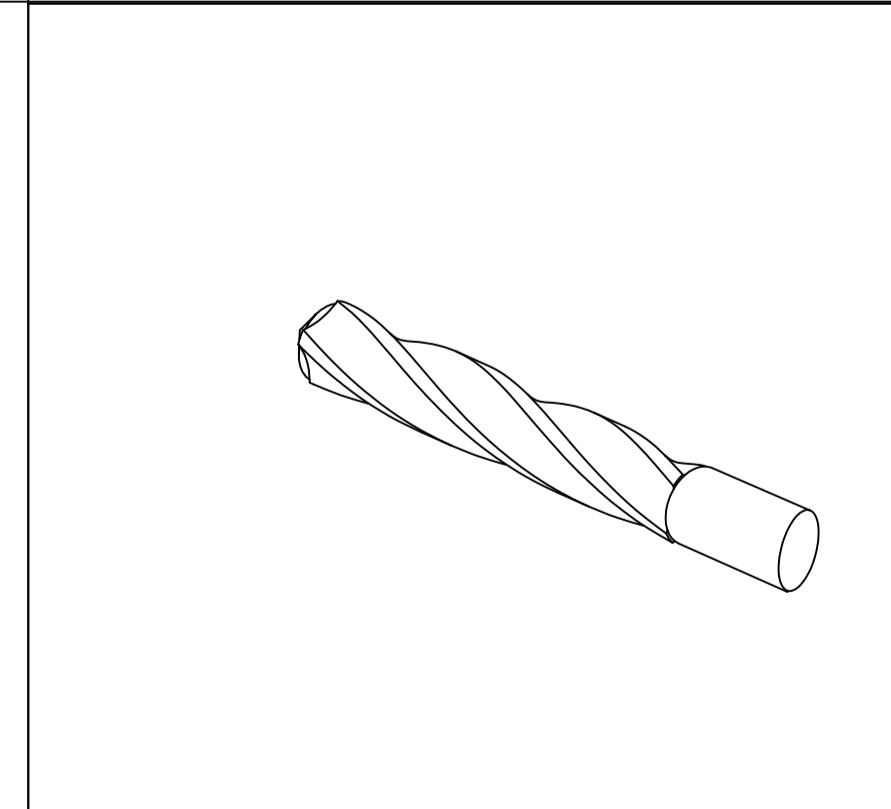
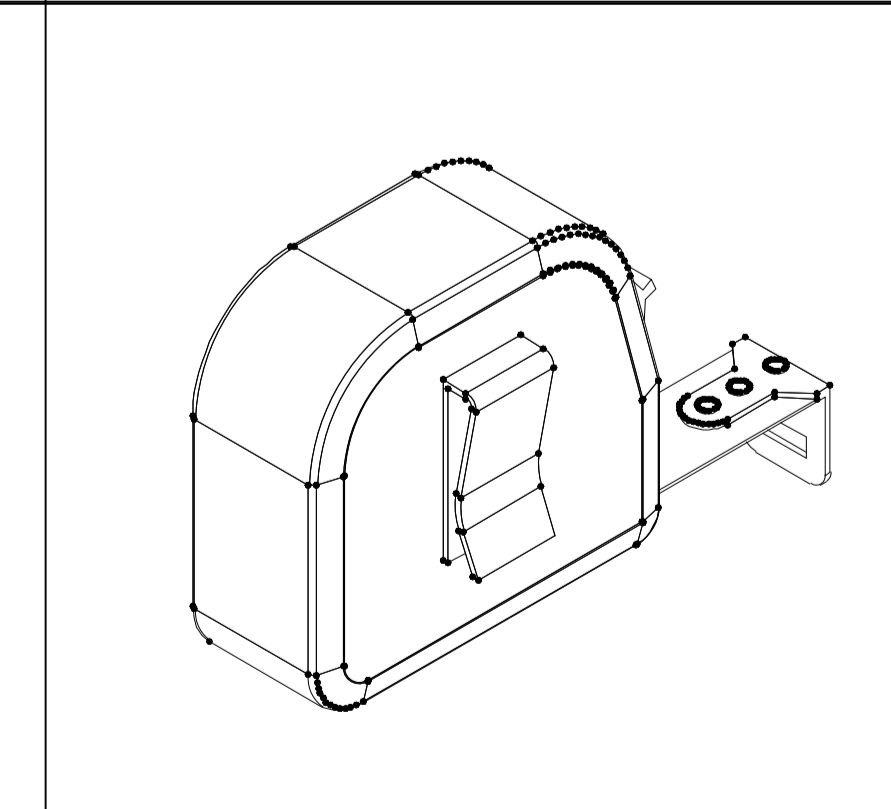


PART LIST

Check all parts according to the list before assembly

					
8mm Wall Anchor(4pcs)	Self-Tapping Screws (5*45) (4pcs)	∅ 25 round tube pull rod Bumper of the wall connector(2pcs)	Top Rail (1 pc)	Roller Assembly (2 pcs)	Pull Rod Fixing Part (2 pcs)
					
Anti jump restraints (2 pcs)	Bumper Strip (2 pcs)	Sliding Panel (1 pc)	Water-Retaining Gasket (1 pc)	Handle (1 pc)	connector for bottom profile (2 pcs)
					
Base Bar (1 pc)	Bumper Strip (1 pc)	Fixed Panel (1 pc)	Sliding Block (1 pc)	U-form waterproof strip (1 pc)	Self-Tapping Screws (4*35) (2pcs)
					
Allen Wrench	Template (1 pc)	6mm Wall Anchor(2pcs)			

Recommended Tools

					
Silicone	Safety Glass	Pencil	Drill	Level	Rubber Hammer
					
Hacksaw	Screw Driver	Safety Gloves	1/4"Drill Bit	Tape Measure	

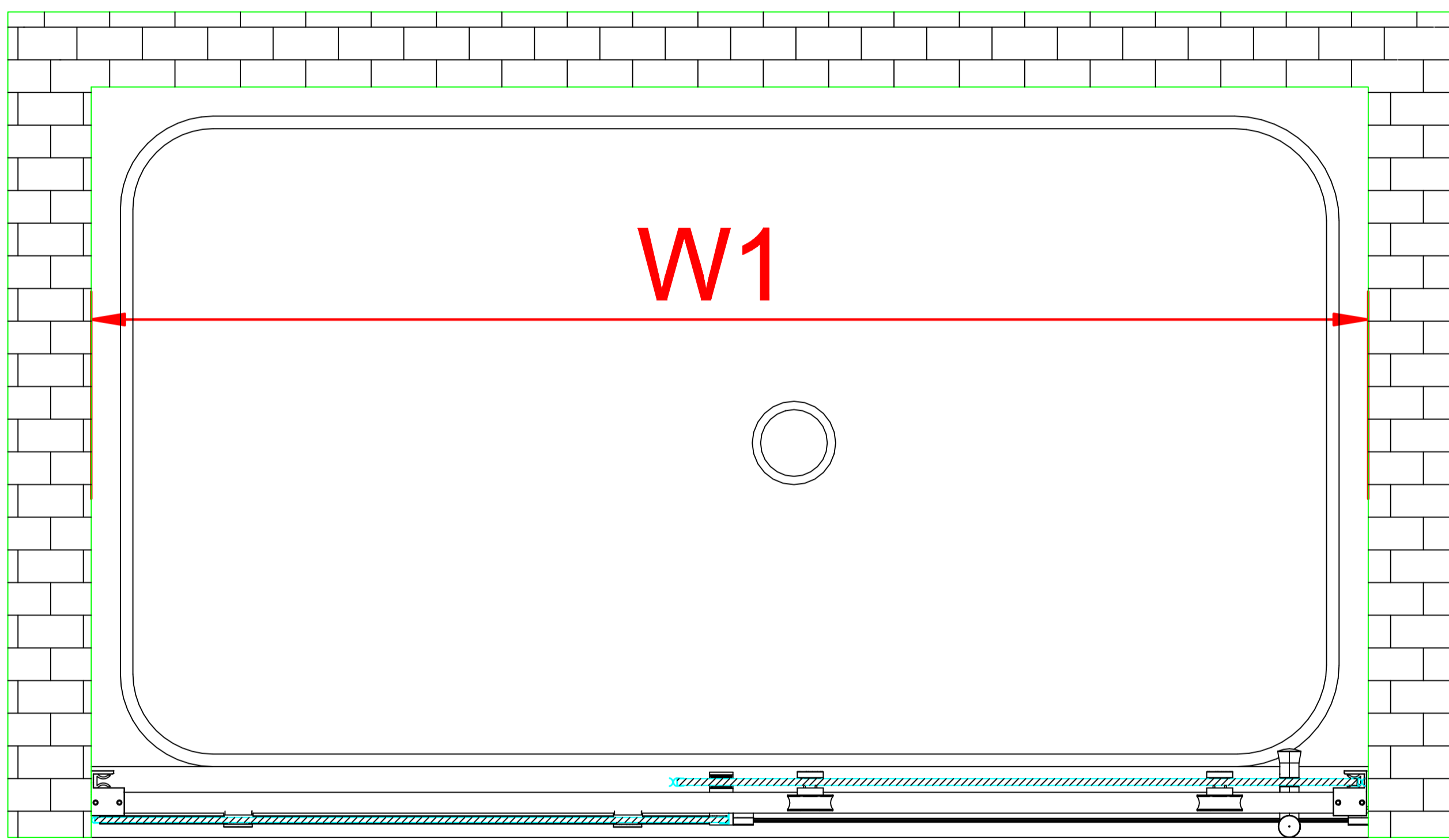
* Utilize Safety Glasses and Safety Gloves when constructing this shower door
 * We recommend that 2 people work together to complete this installation

Choose the appropriate diagram below to assemble your shower door

Left Hand Assembly

STEP 1

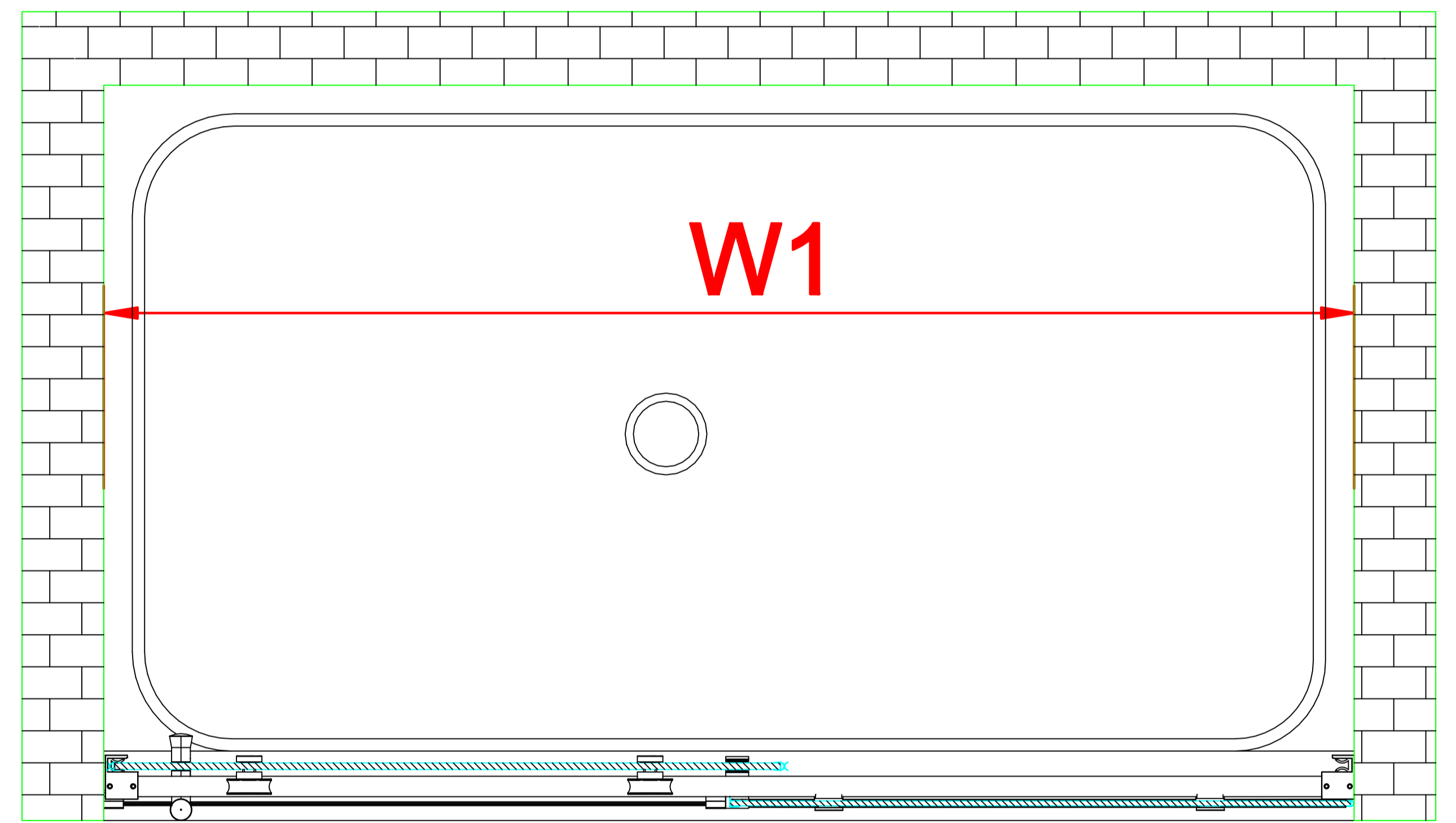
1. Measure the opening for the correct Shower Door distance " W1".
2. For 48" Shower Door ; the opening should be **43-48"** between the lines.
3. For 54" Shower Door ; the opening should be **49-54"** between the lines.
4. For 60" Shower Door ; the opening should be **55-60"** between the lines.
5. For 66" Shower Door ; the opening should be **61-66"** between the lines.
6. For 72" Shower Door ; the opening should be **67-72"** between the lines.



Right Hand Assembly

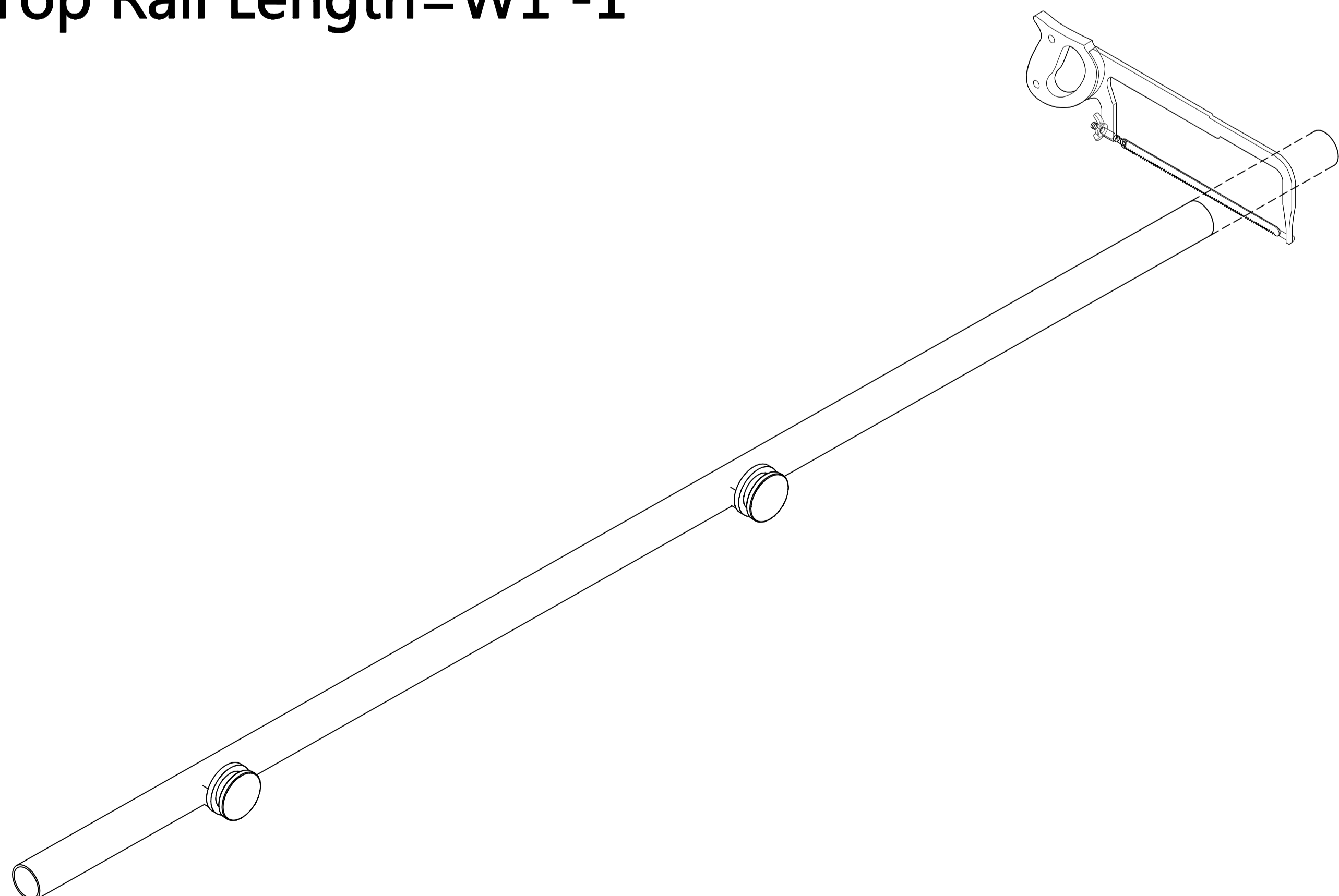
STEP 1

1. Measure the opening for the correct Shower Door distance " W1".
2. For 48" Shower Door ; the opening should be **43-48"** between the lines.
3. For 54" Shower Door ; the opening should be **49-54"** between the lines.
4. For 60" Shower Door ; the opening should be **55-60"** between the lines.
5. For 66" Shower Door ; the opening should be **61-66"** between the lines.
6. For 72" Shower Door ; the opening should be **67-72"** between the lines.



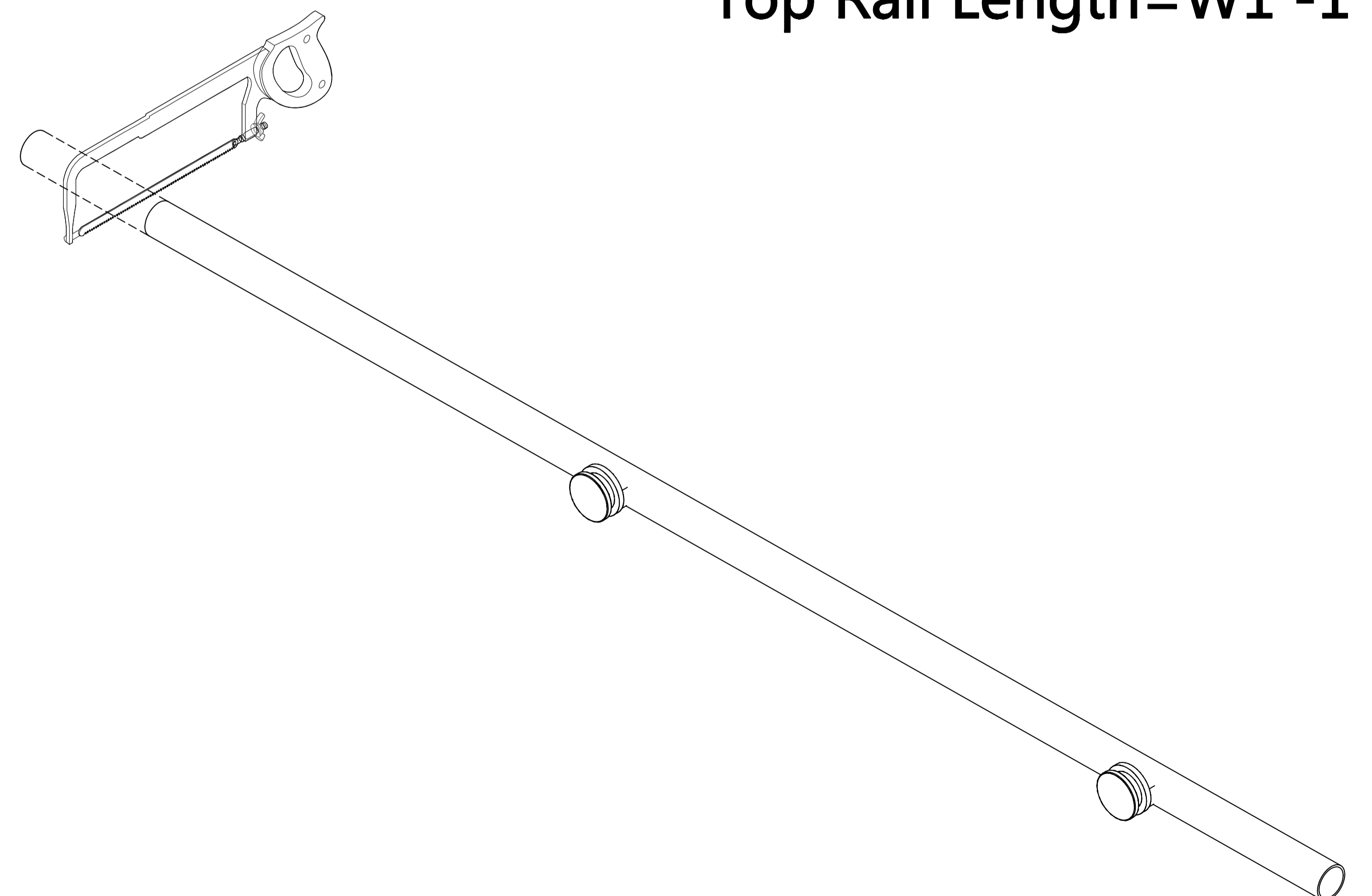
Cut the Top Rail ④

This product can be installed with a size reduction of 5" . If "W1" size is smaller than the standard specification, the Top Rail needs to be cut.
Top Rail Length=W1 -1"



④ Cut the Top Rail

This product can be installed with a size reduction of 5" . If "W1" size is smaller than the standard specification, the Top Rail needs to be cut.
Top Rail Length=W1 -1"



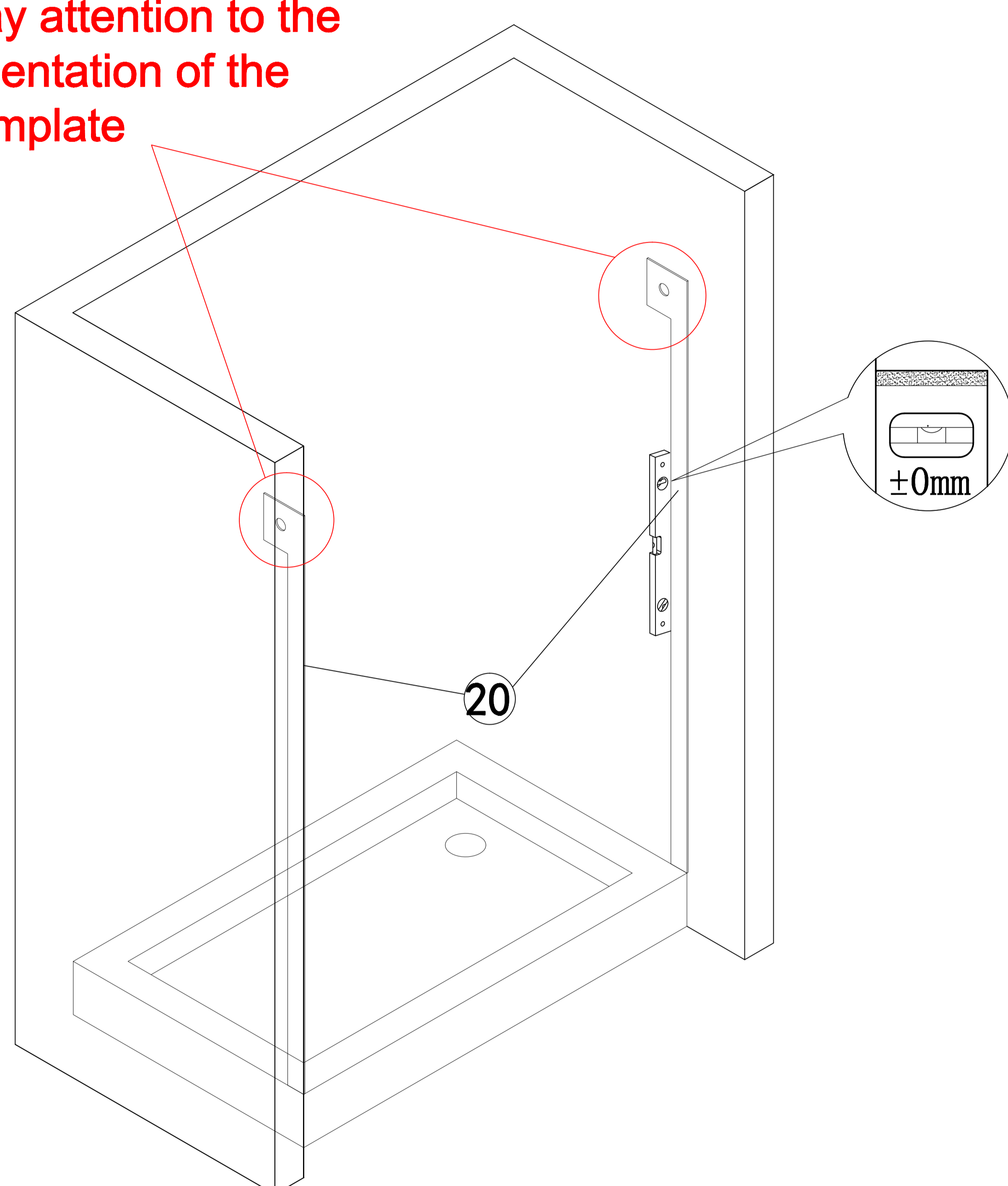
Choose the appropriate diagram below to assemble your shower door

Left Hand Assembly

STEP 2

1. Lean the template ②0 against the wall.
2. Make sure to level the template.
3. Use pencil to mark a hole on the template.

Pay attention to the orientation of the template

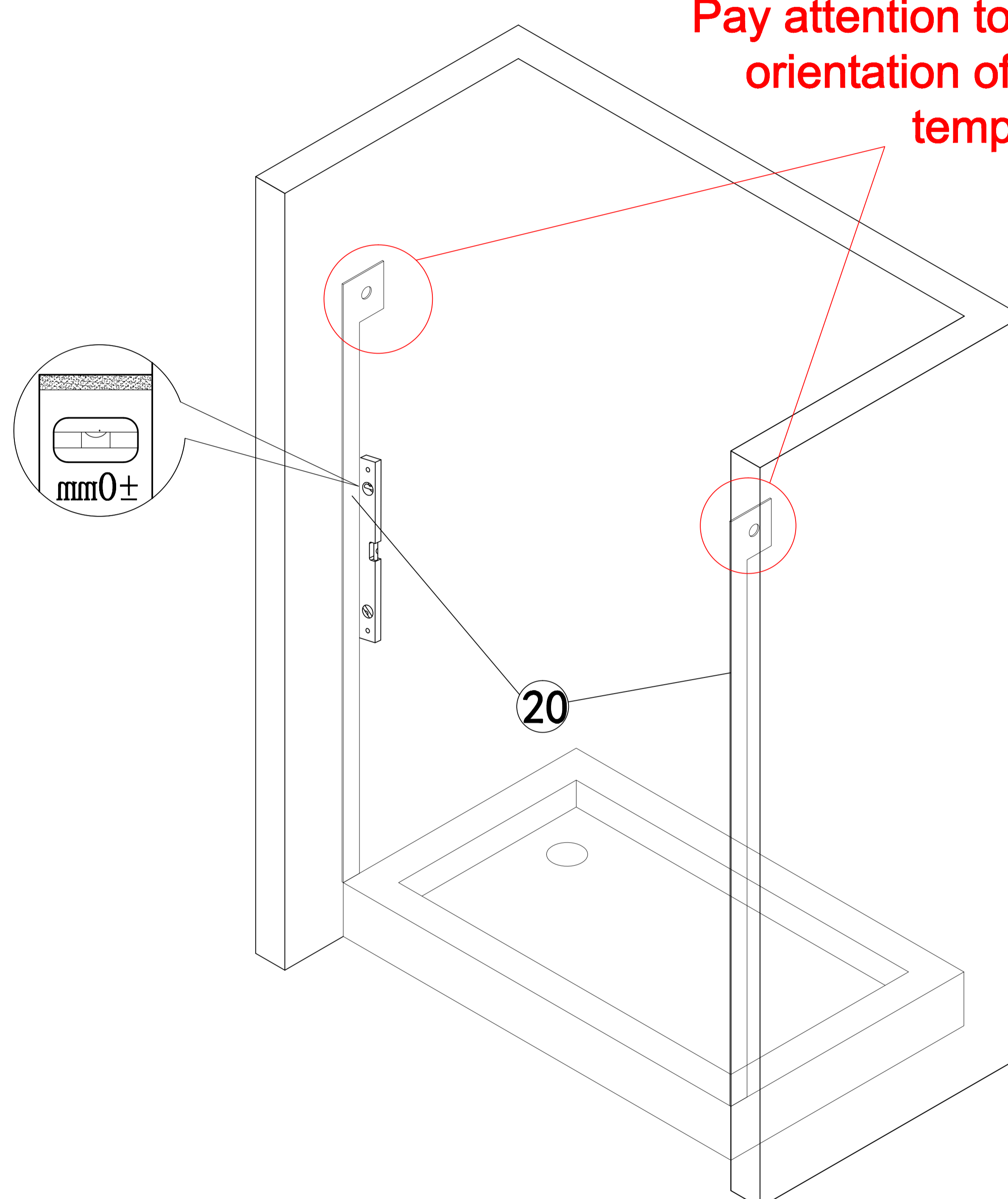


Right Hand Assembly

STEP 2

1. Lean the template ②0 against the wall.
2. Make sure to level the template.
3. Use pencil to mark a hole on the template.

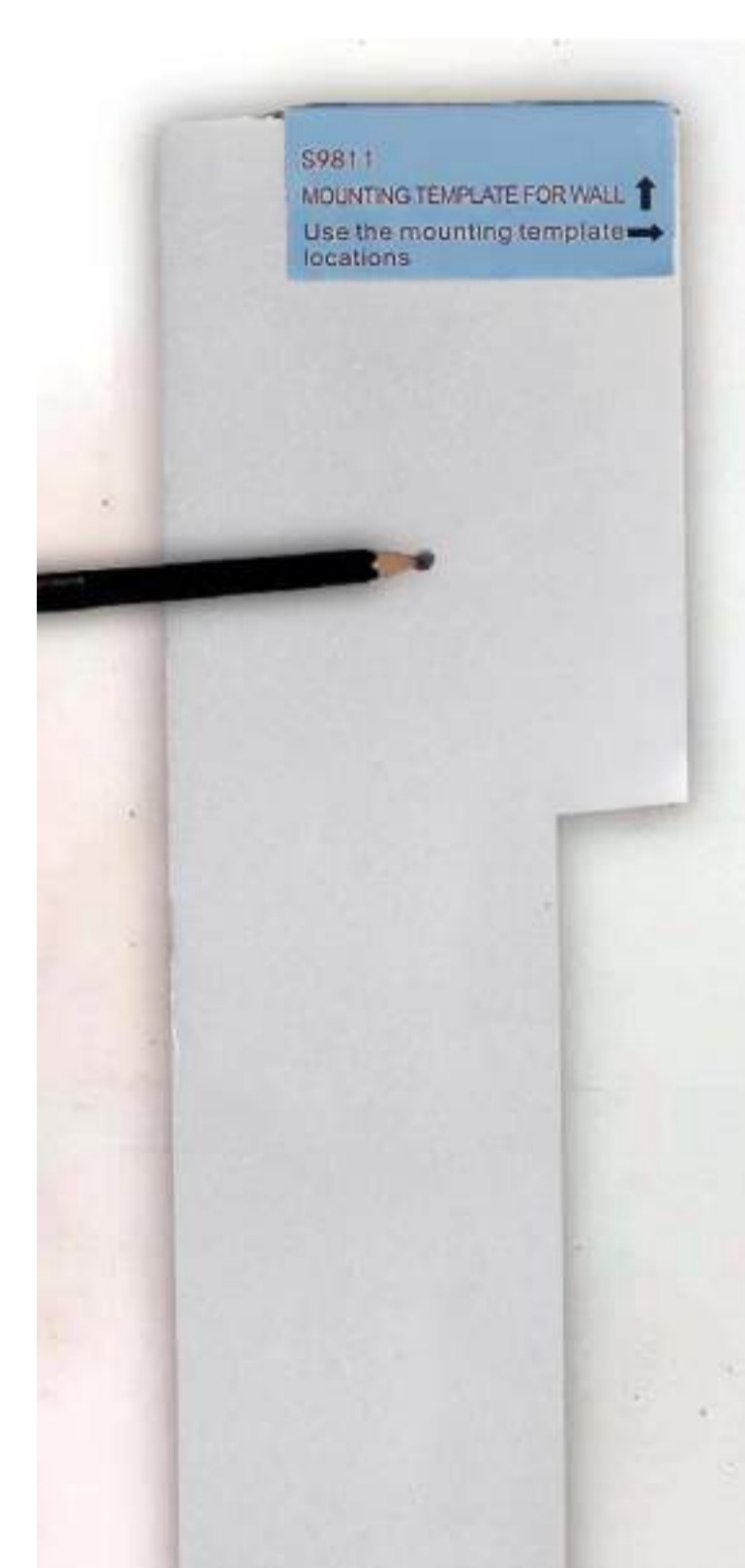
Pay attention to the orientation of the template



1. Lean the template against the wall.



2. Make sure to level the template.



3. Use pencil to mark a hole



4. Drill the hole at the marked location.

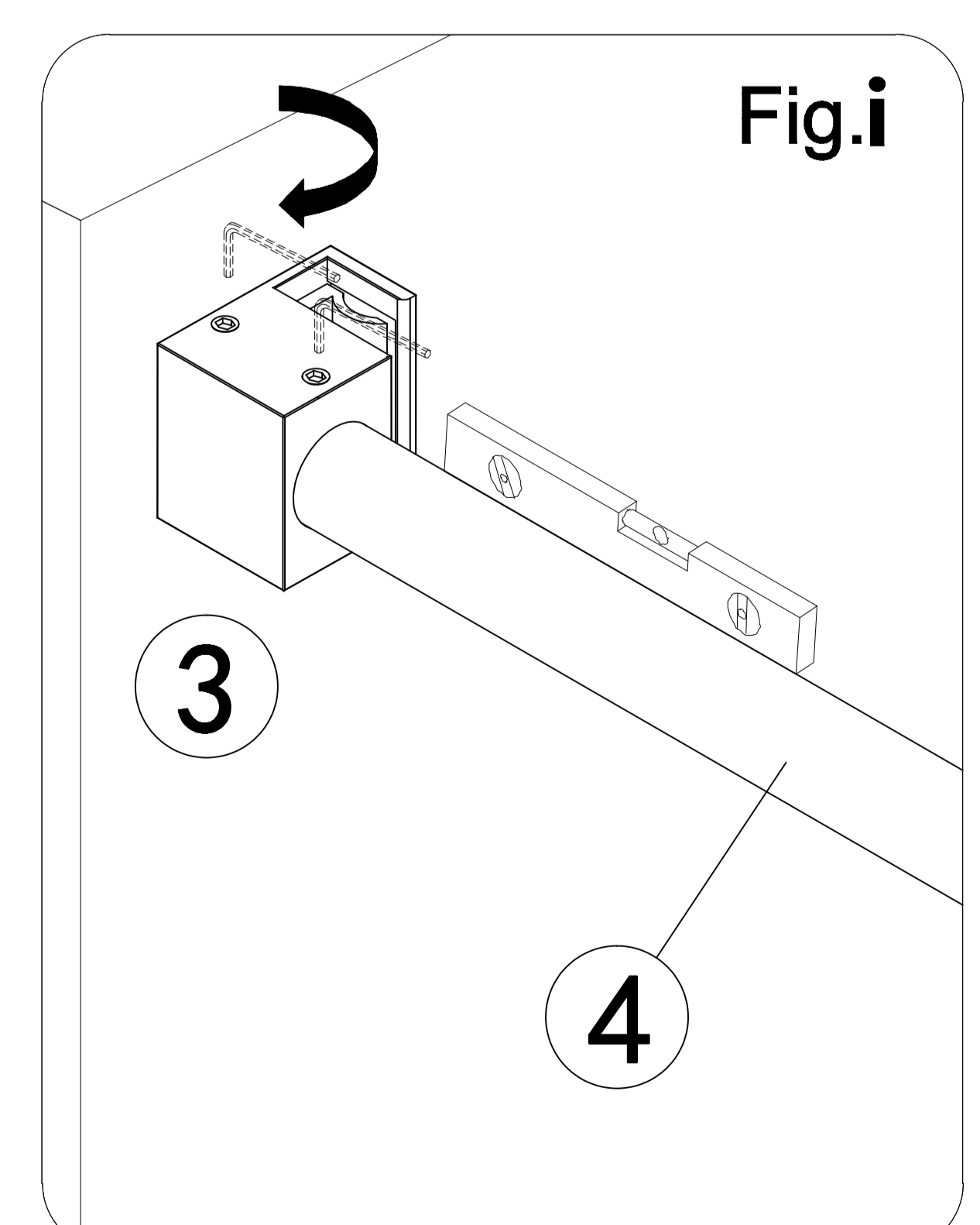
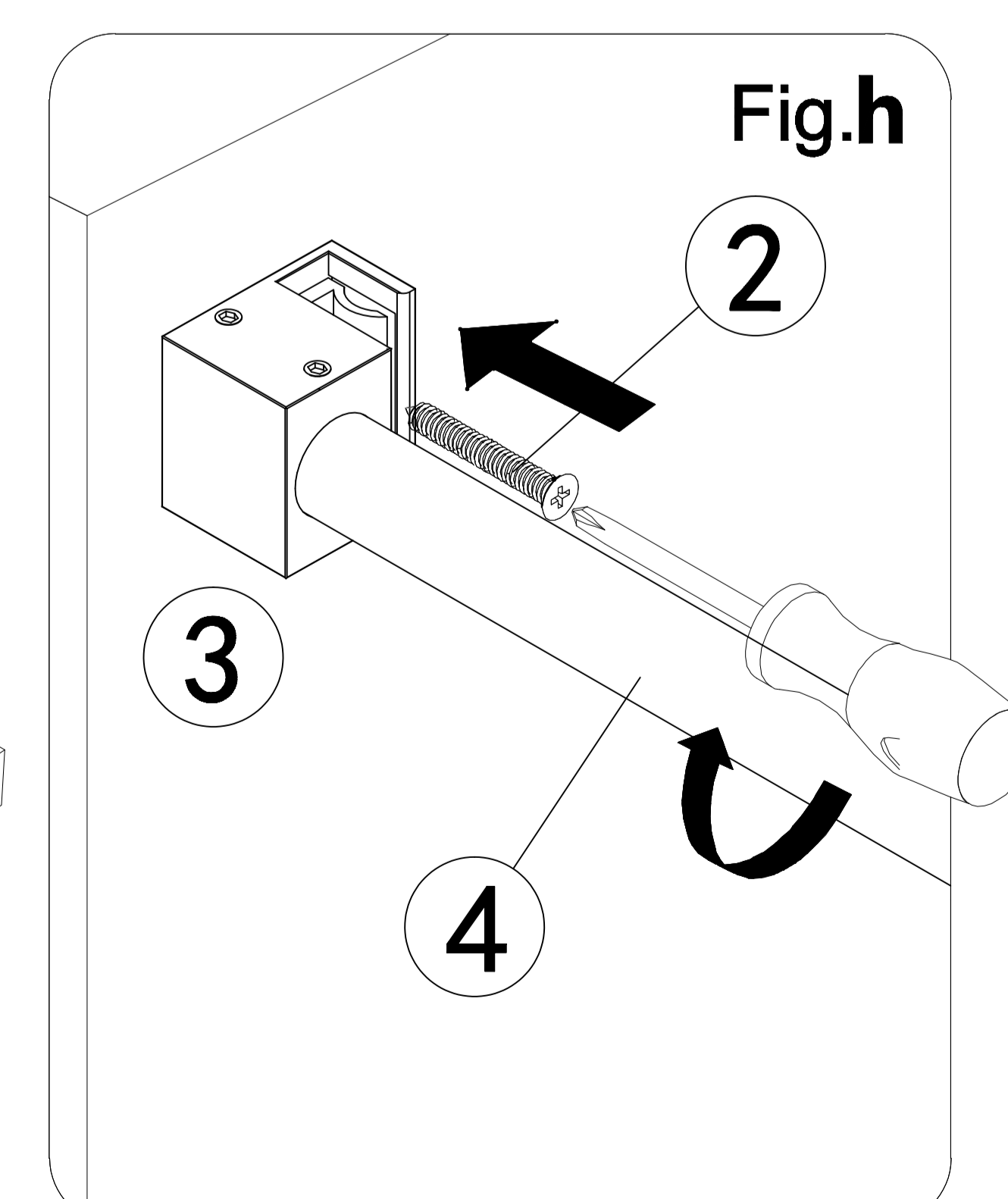
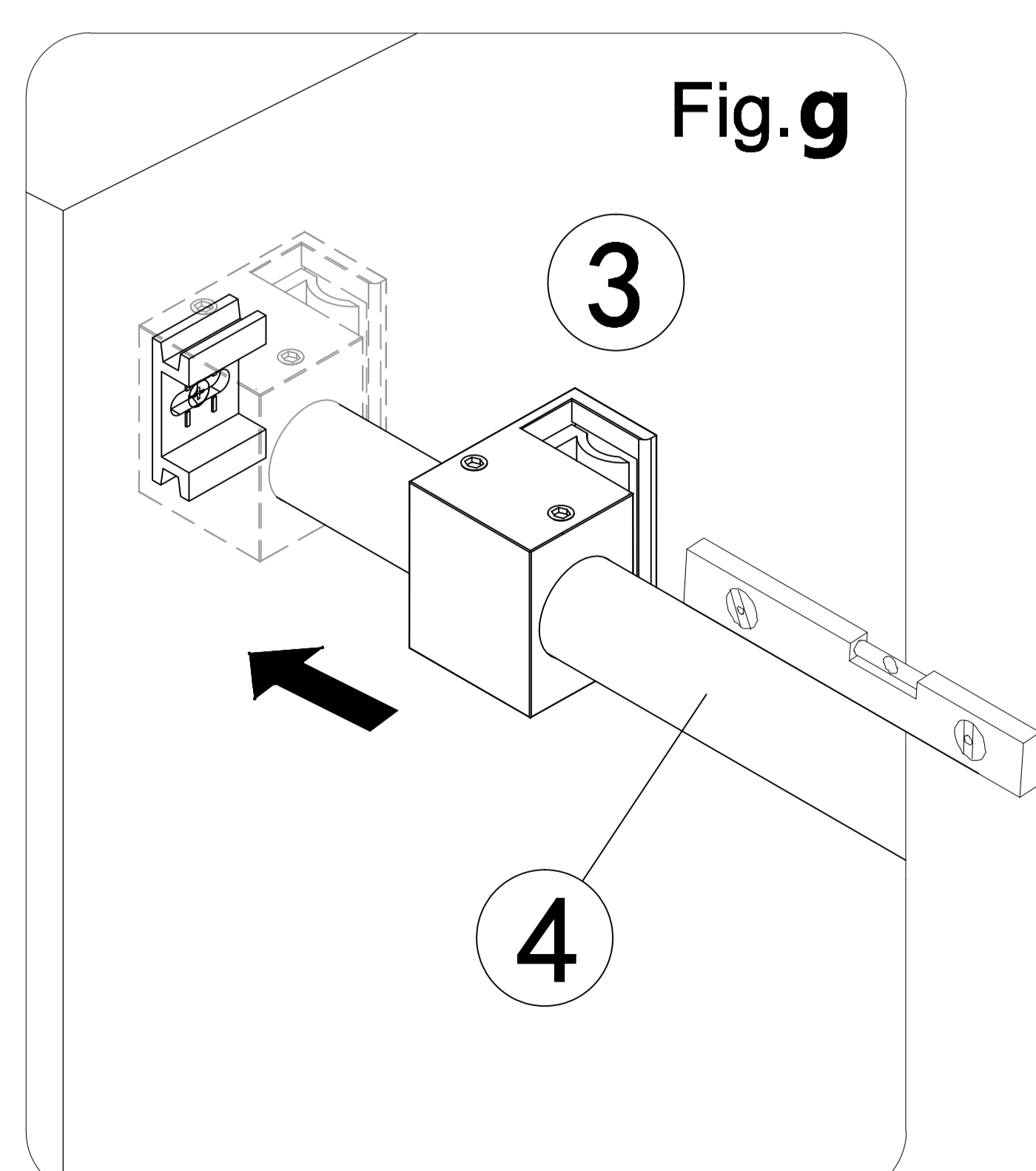
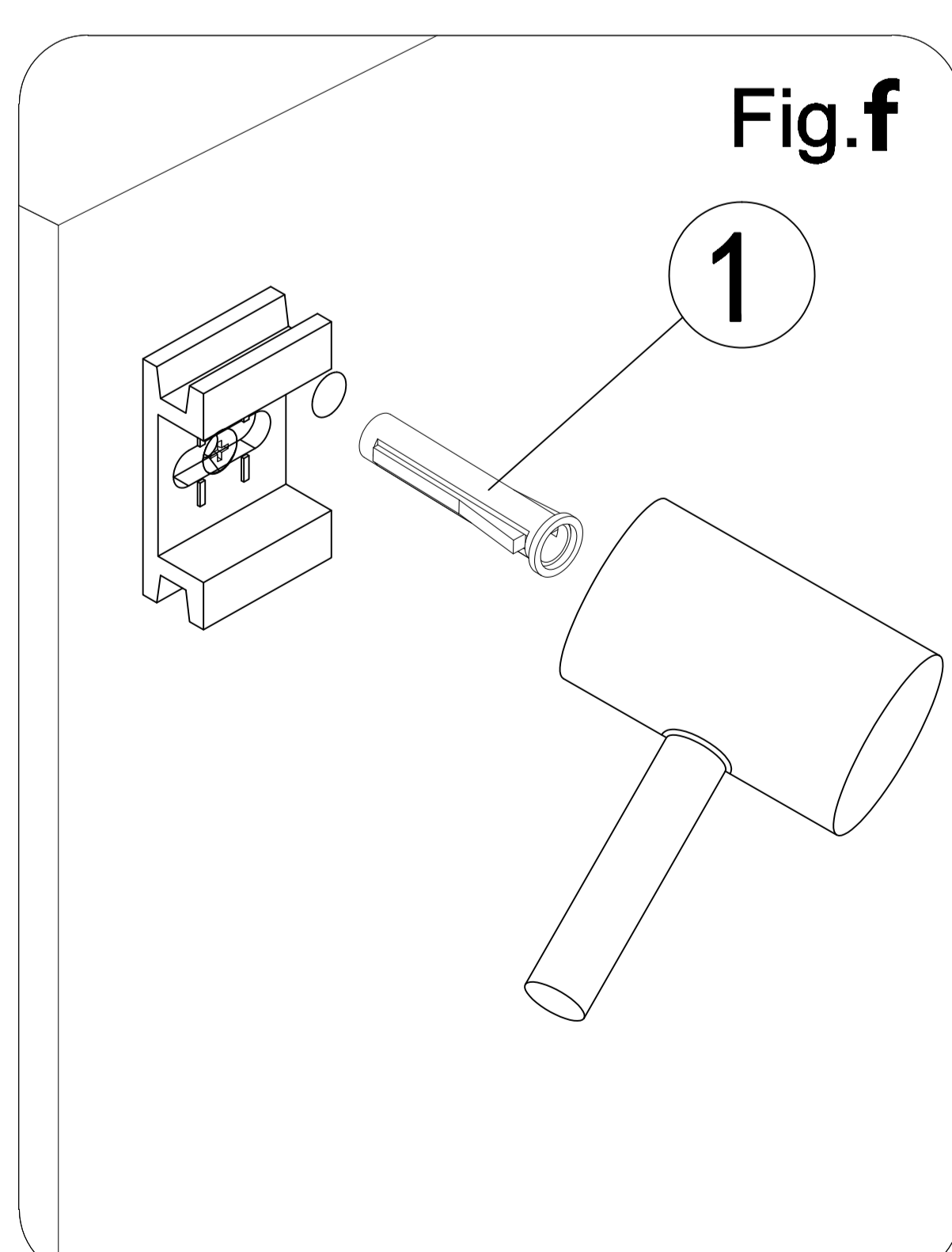
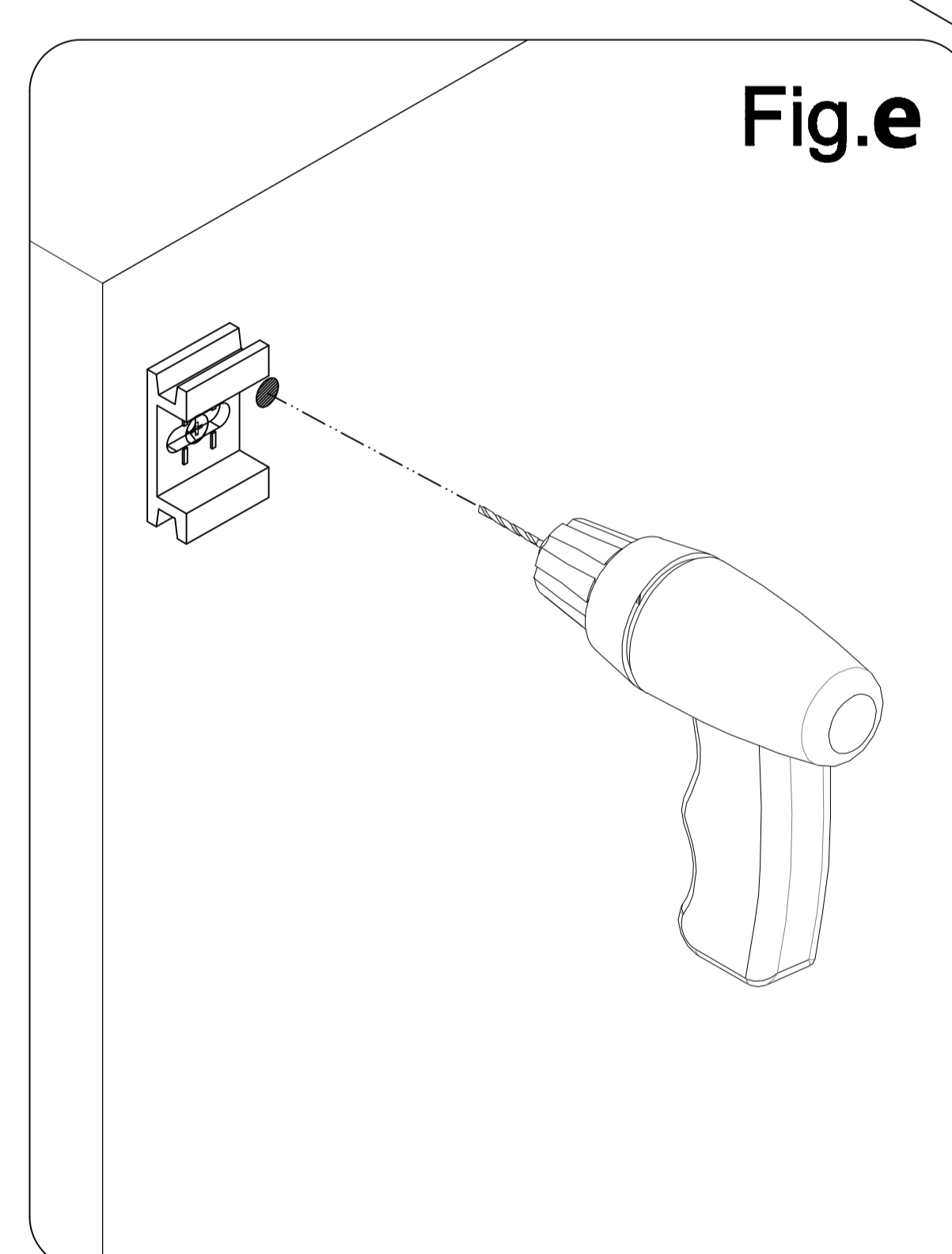
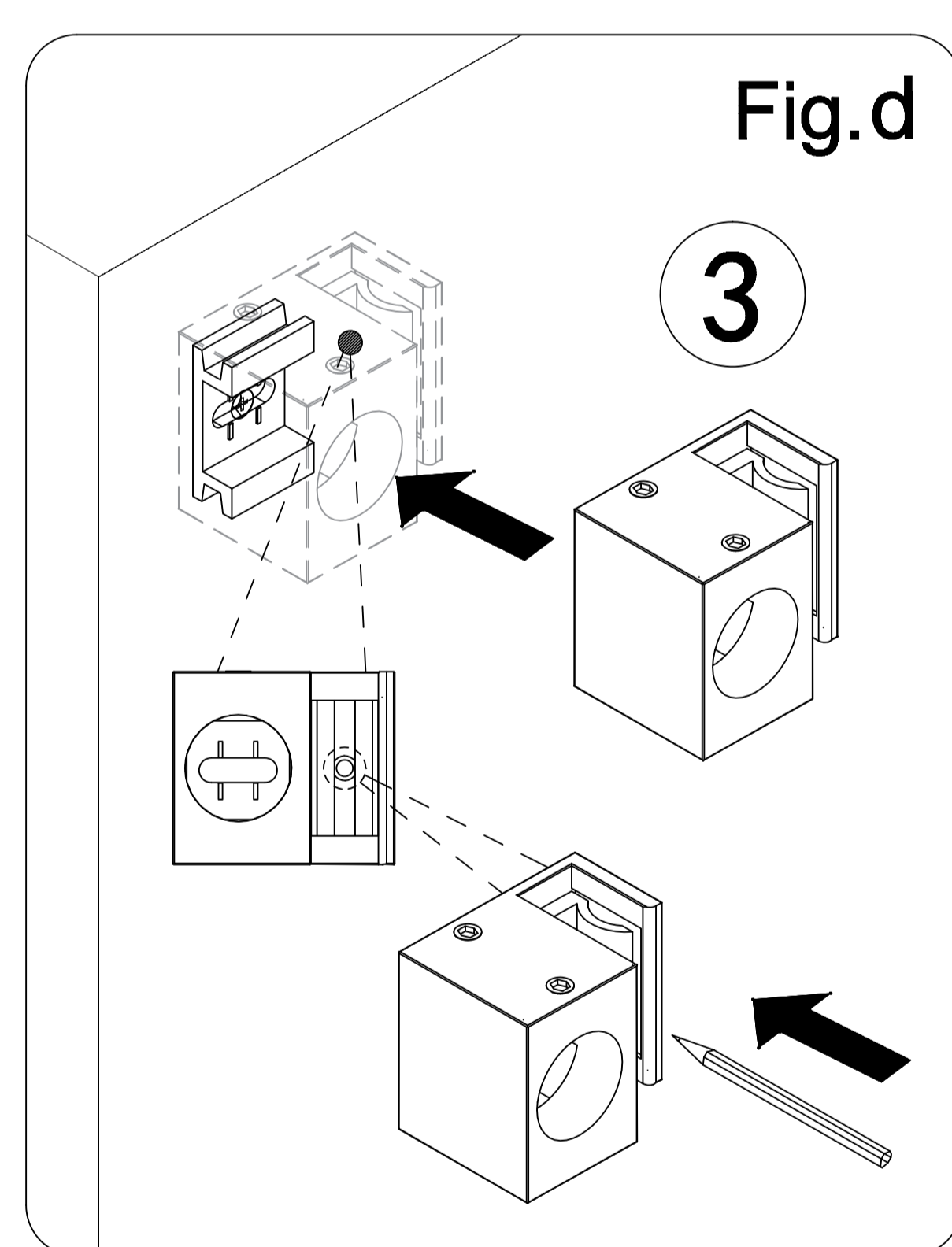
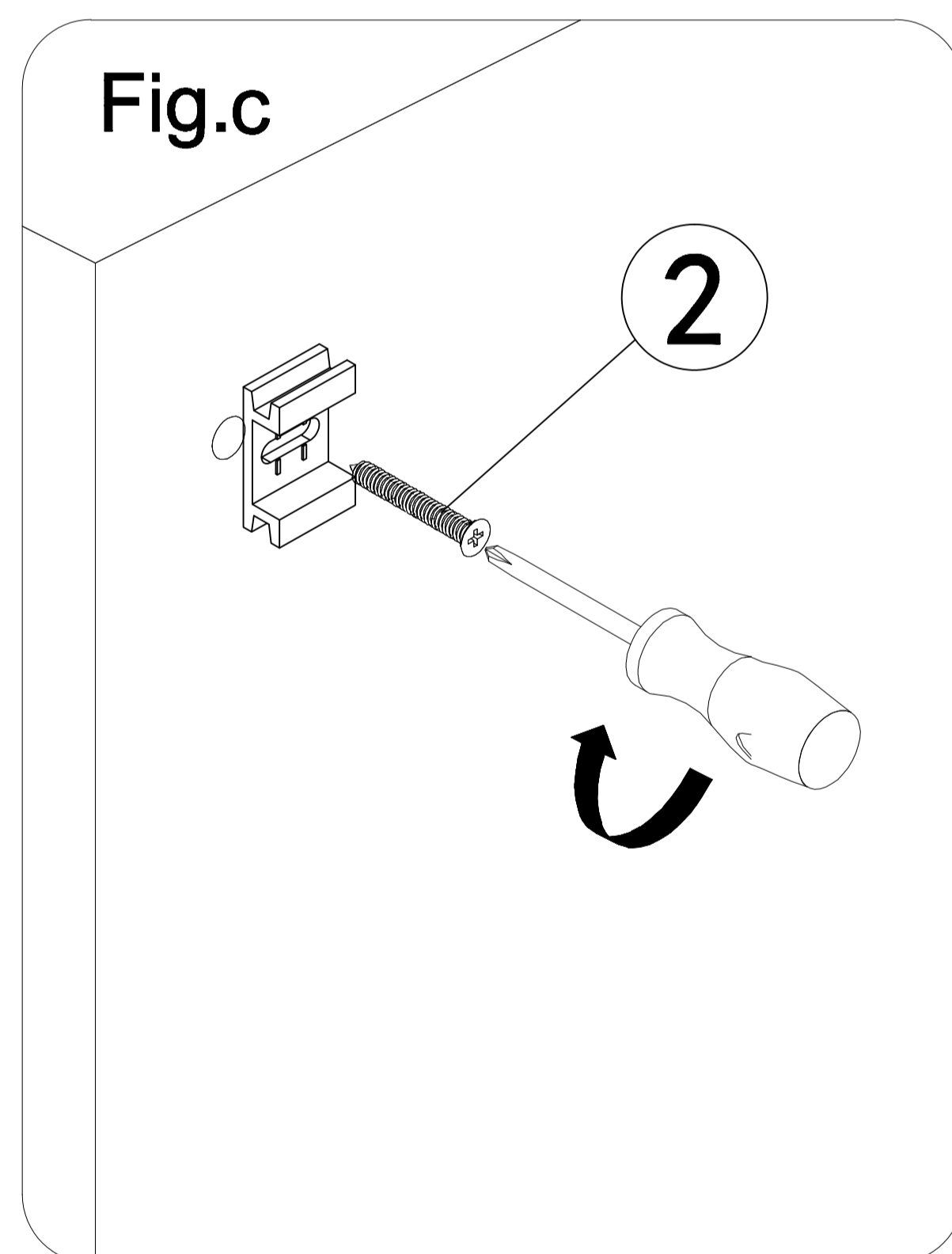
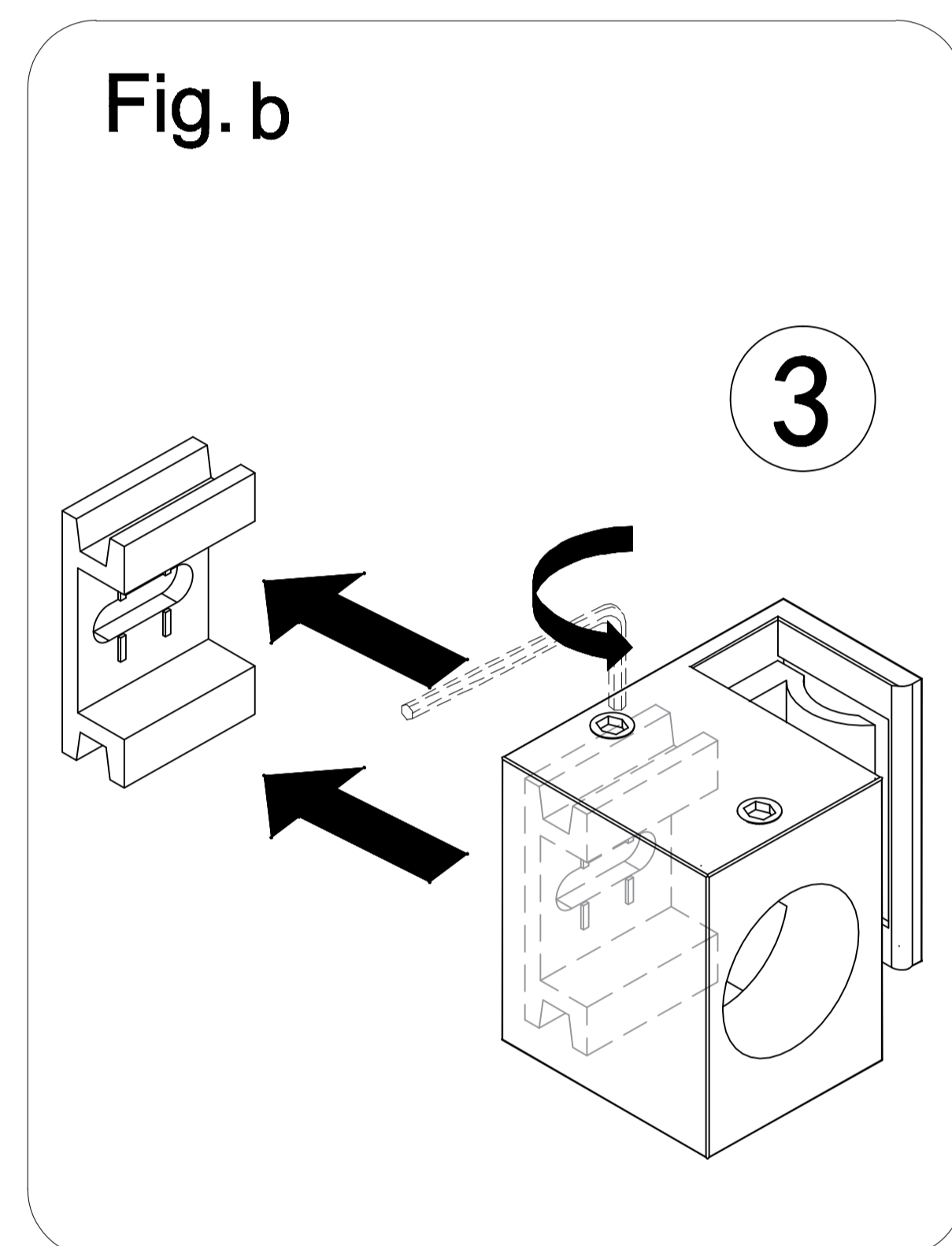
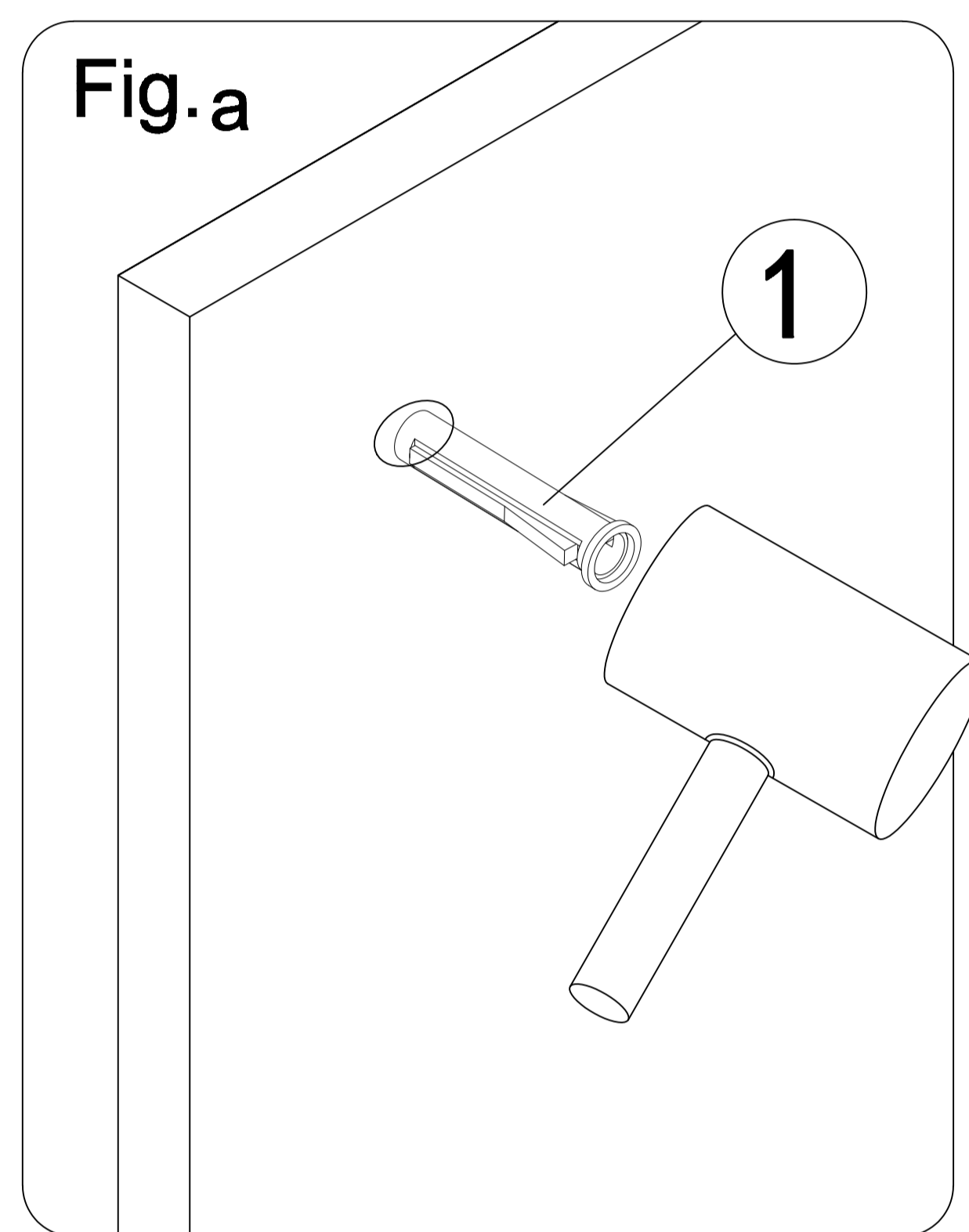
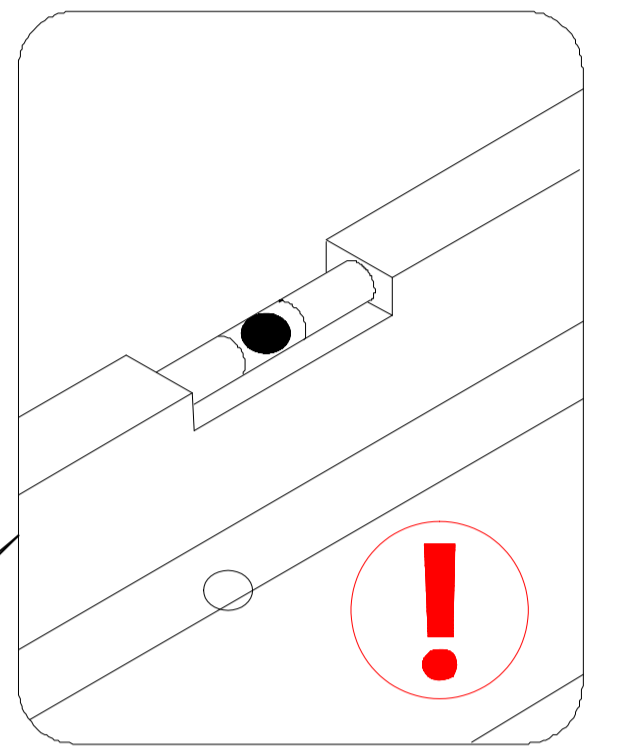
Choose the appropriate diagram below to assemble your shower door

Left Hand Assembly

STEP 3

1. Drill a hole in the wall.
2. Hammer the Anchor into the hole.
3. Secure $\varnothing 25$ round tube pull rod Bumper of the wall connector (3) onto the wall.

Threshold must be level

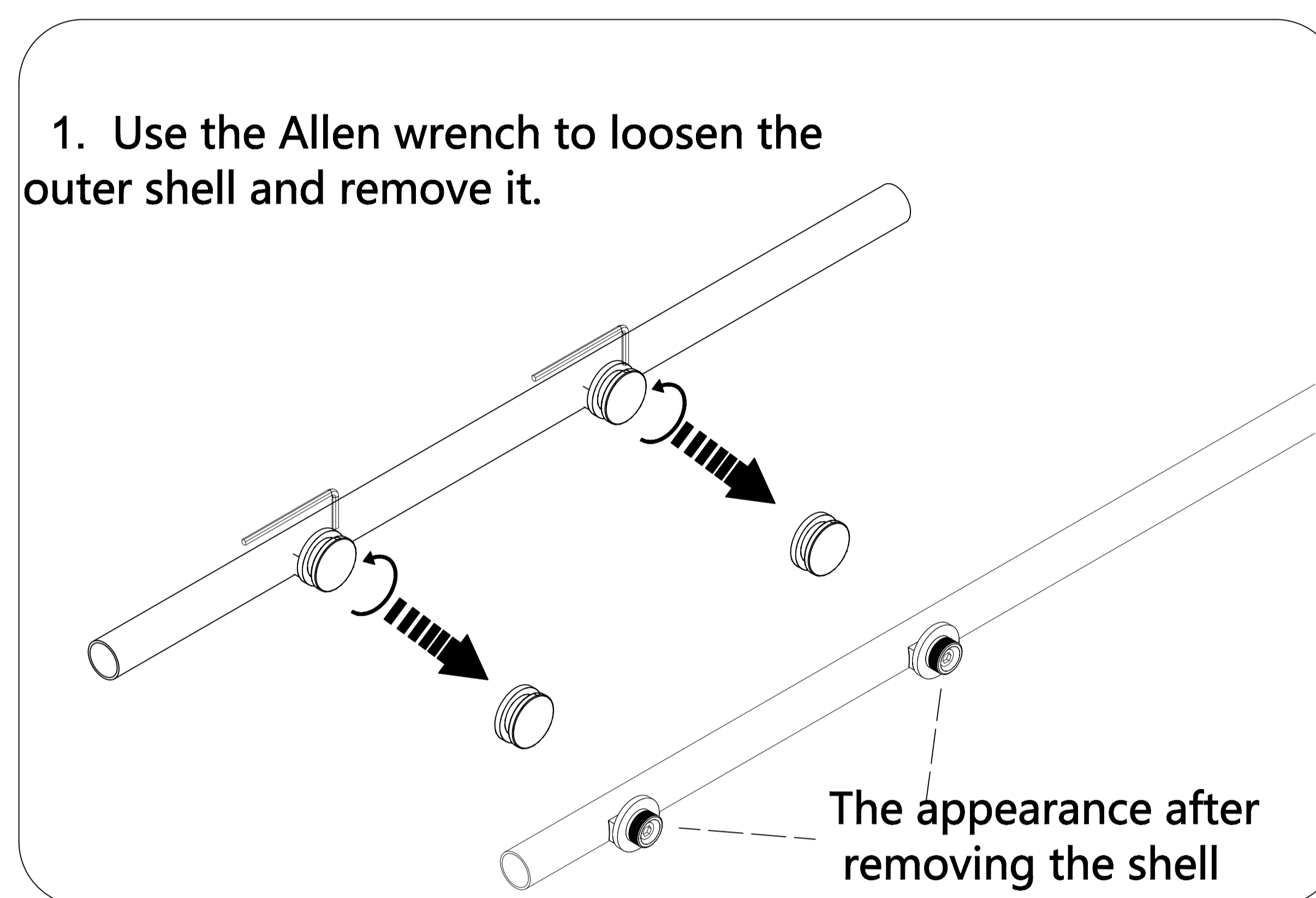


Choose the appropriate diagram below to assemble your shower door

Left Hand Assembly

STEP 4

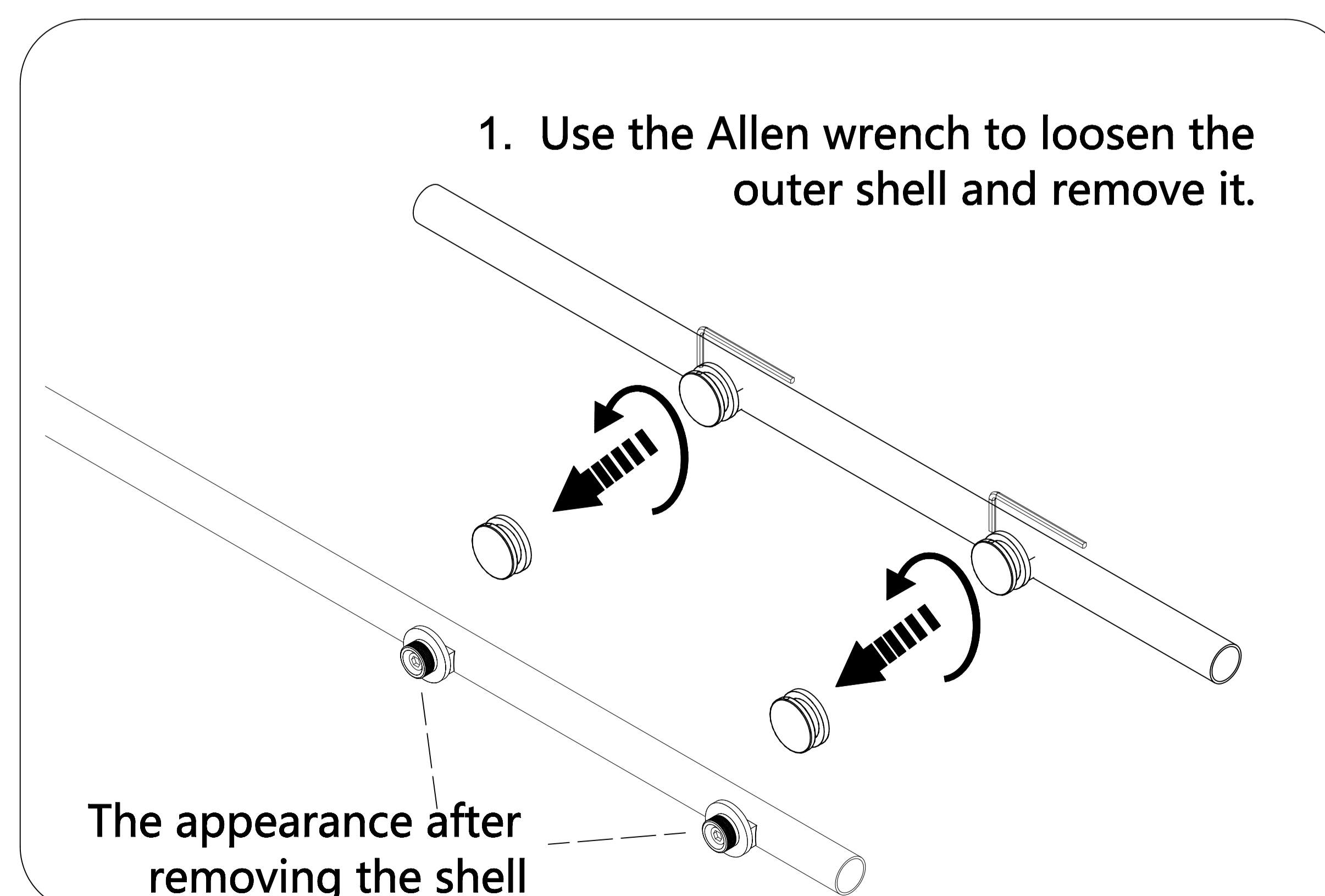
1. Remove the two components on the pull rod , the ⑥ pull rod fixing parts.



Right Hand Assembly

STEP 4

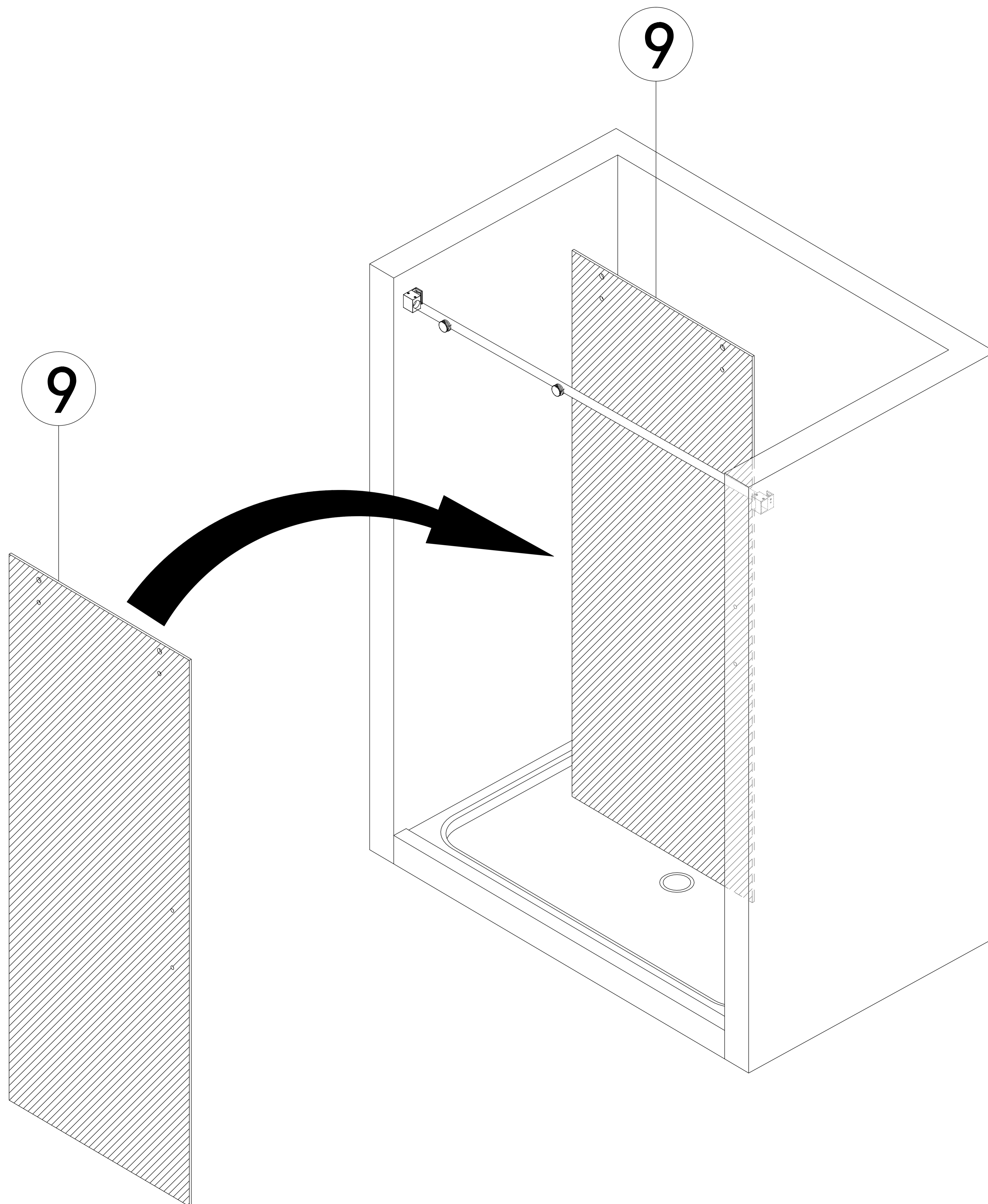
1. Remove the two components on the pull rod ,the ⑥ pull rod fixing parts.



Roller (5) Installation

STEP 5

1、 First, move the active panel (9) into the shower area so that when you install the fixed panel (15) later, it does not take up the entrance and cause unnecessary damage when moving the active panel (5).

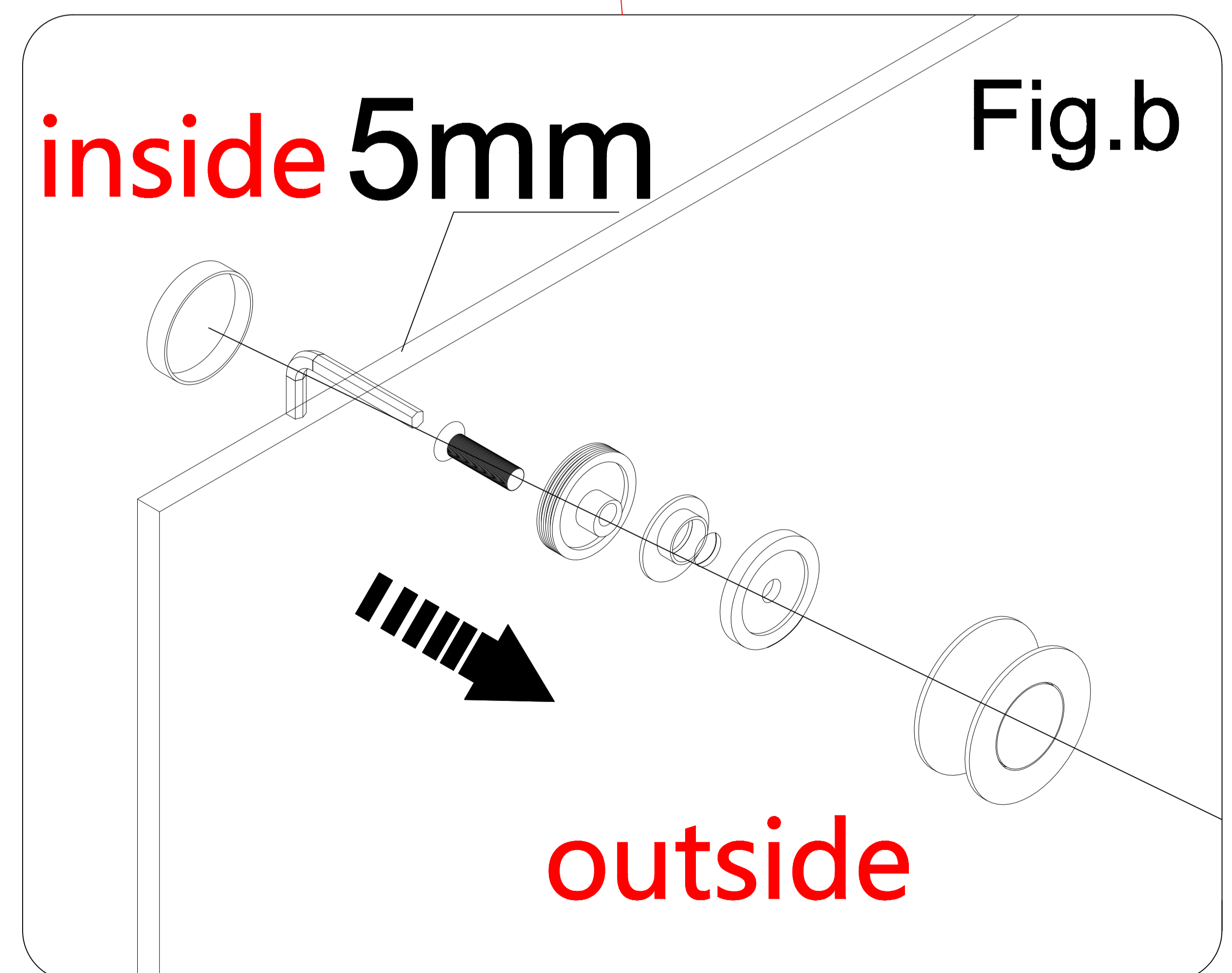
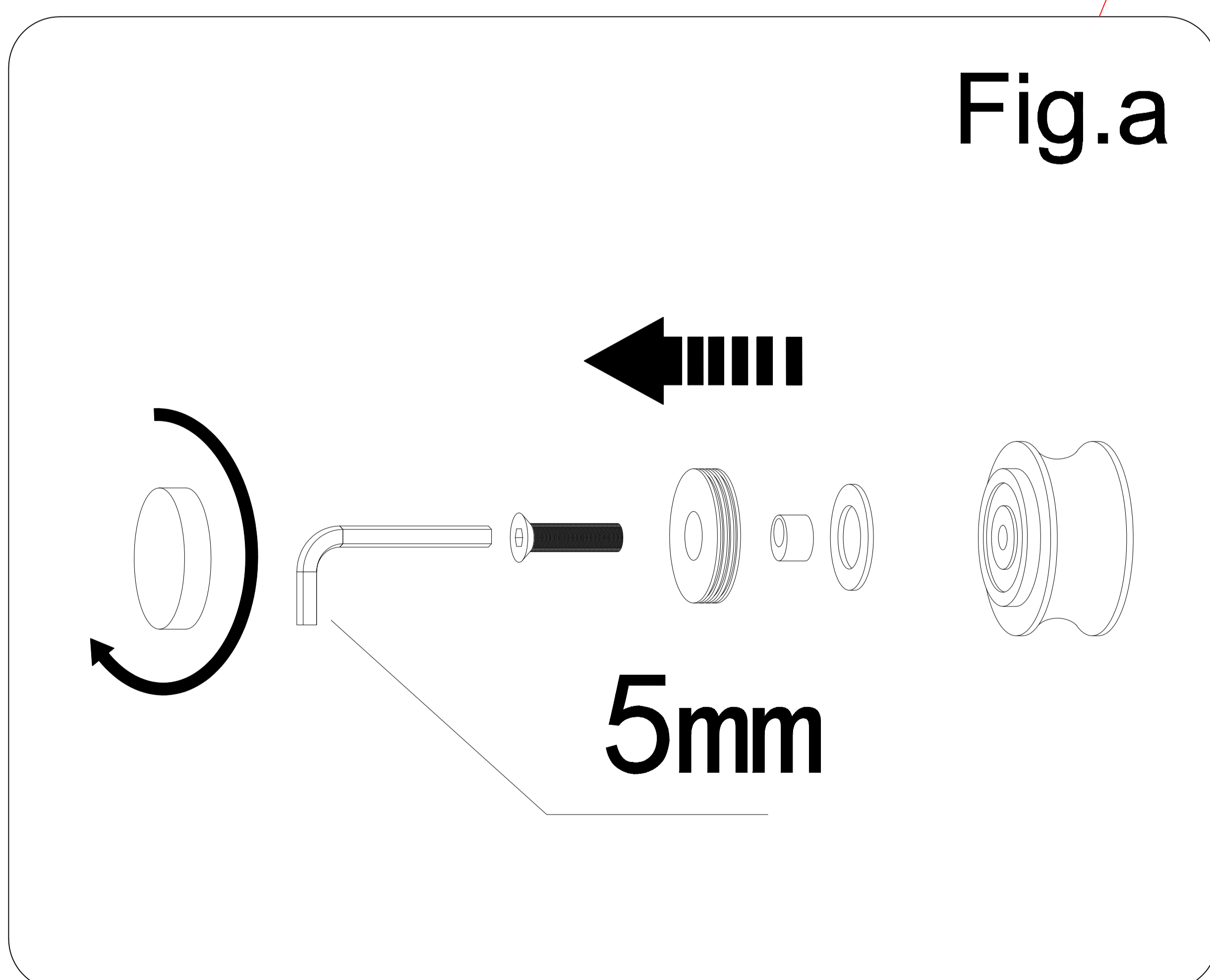
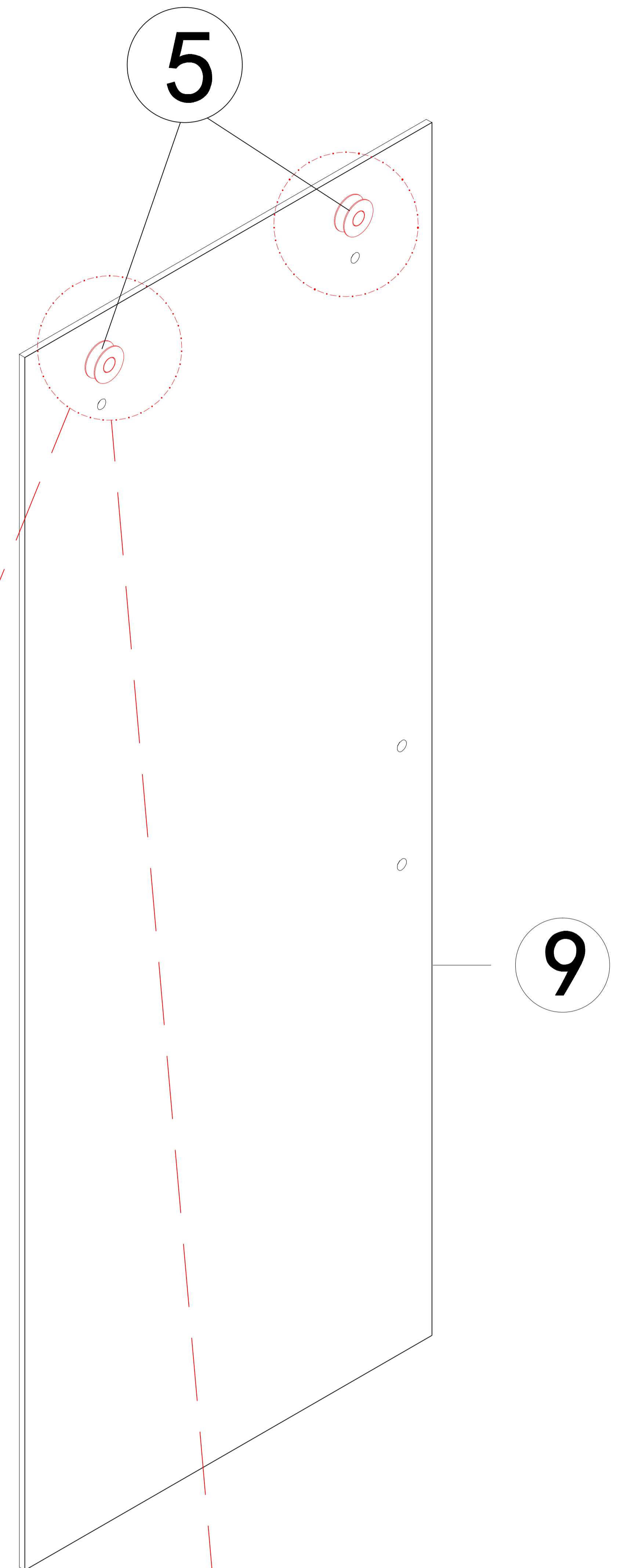
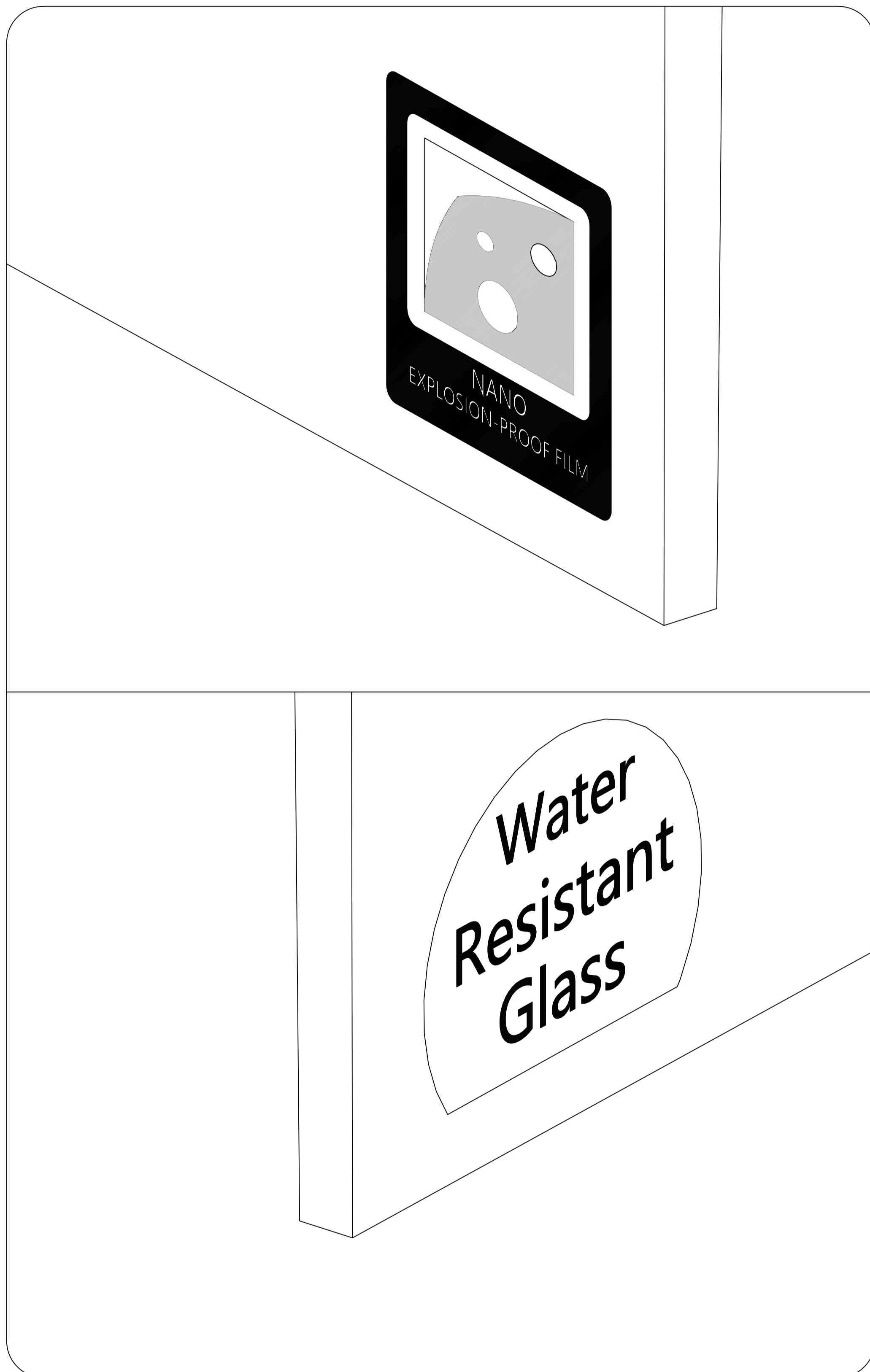


Roller (5) Installation

Left Hand Assembly

1、 Install the Roller (5) on the Glass Door(9)and faces outside as Fig.b.

Note:The active glass is double-sided nano, and can be freely installed

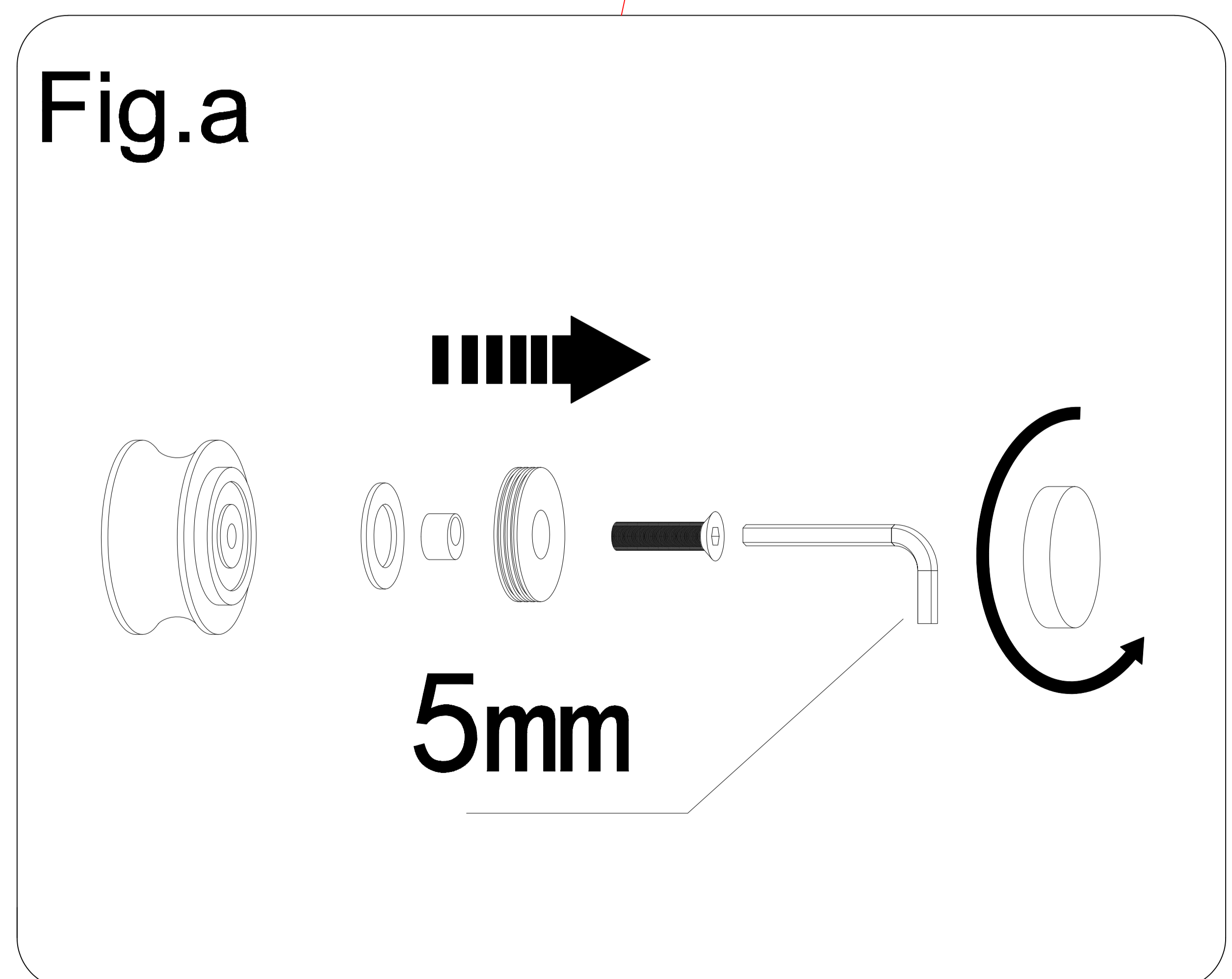
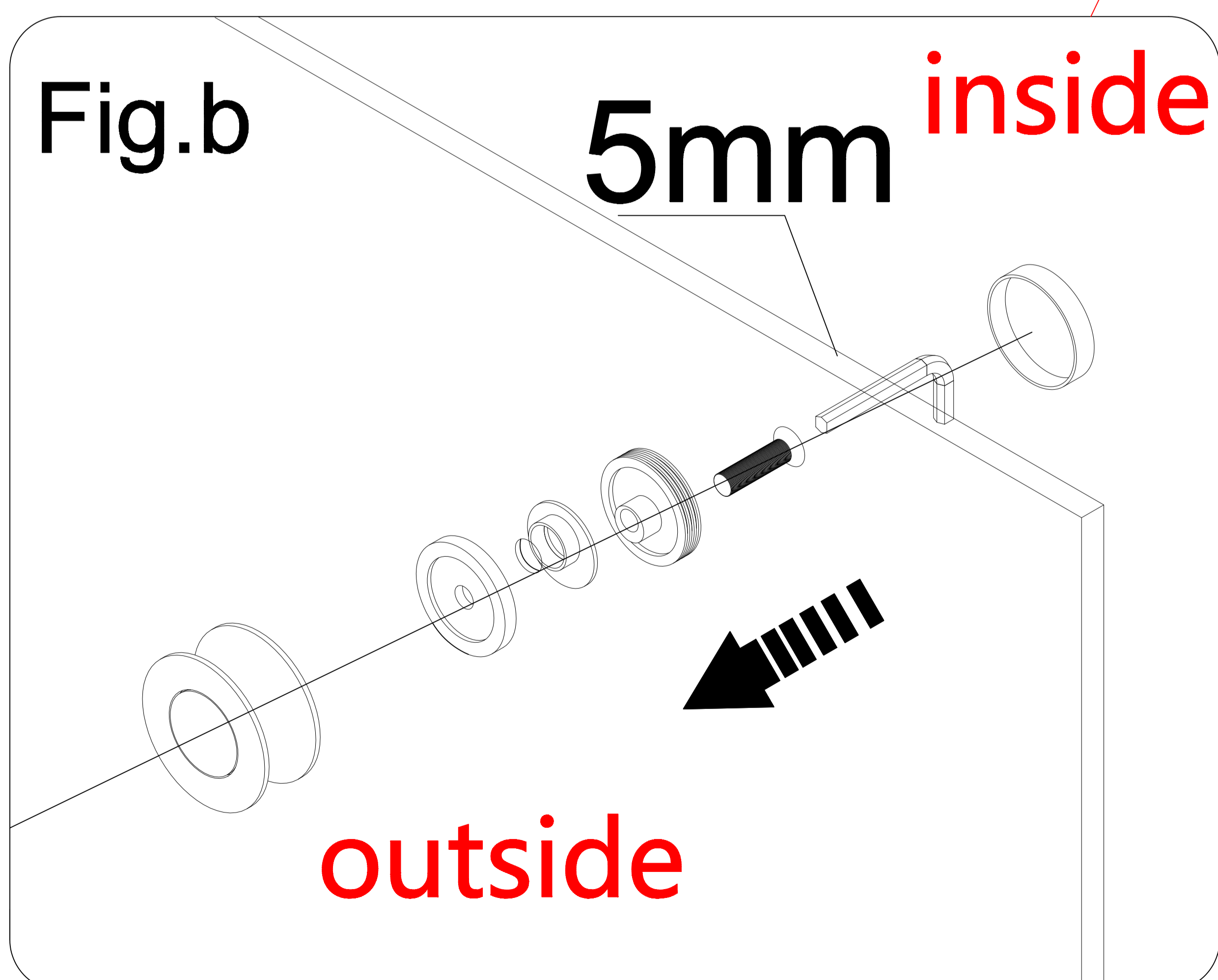
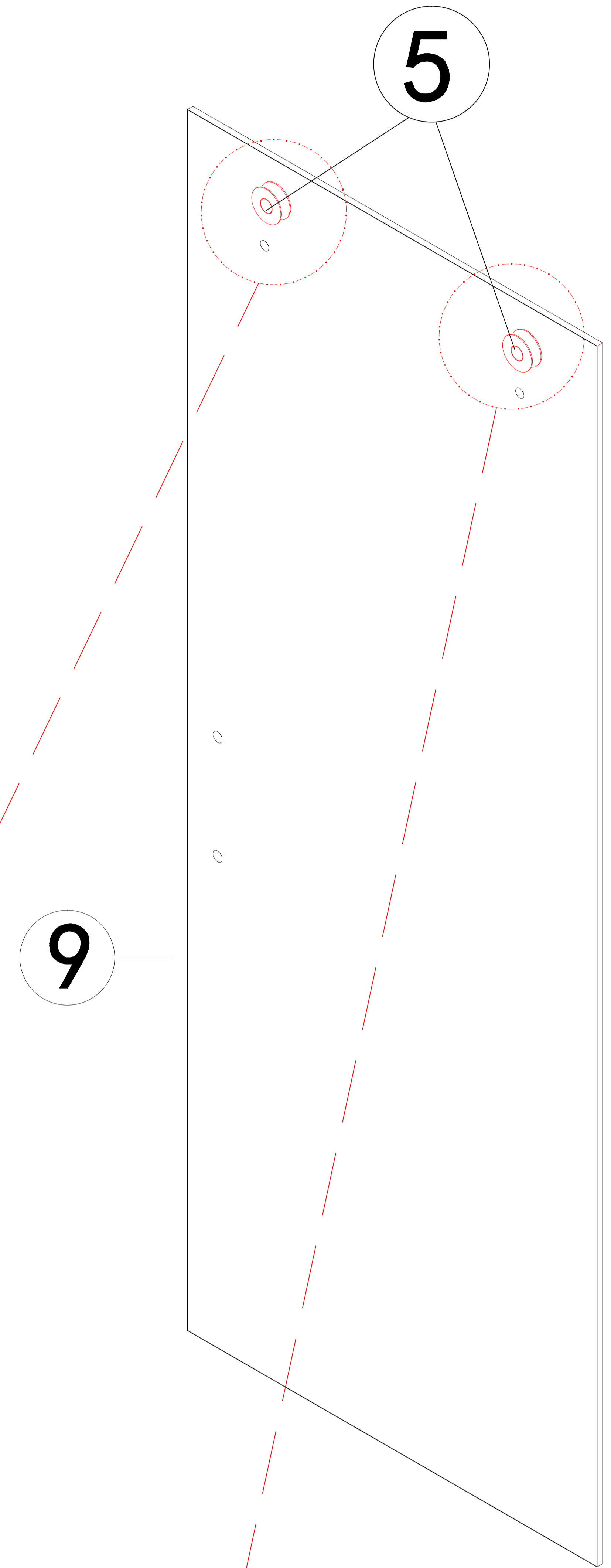
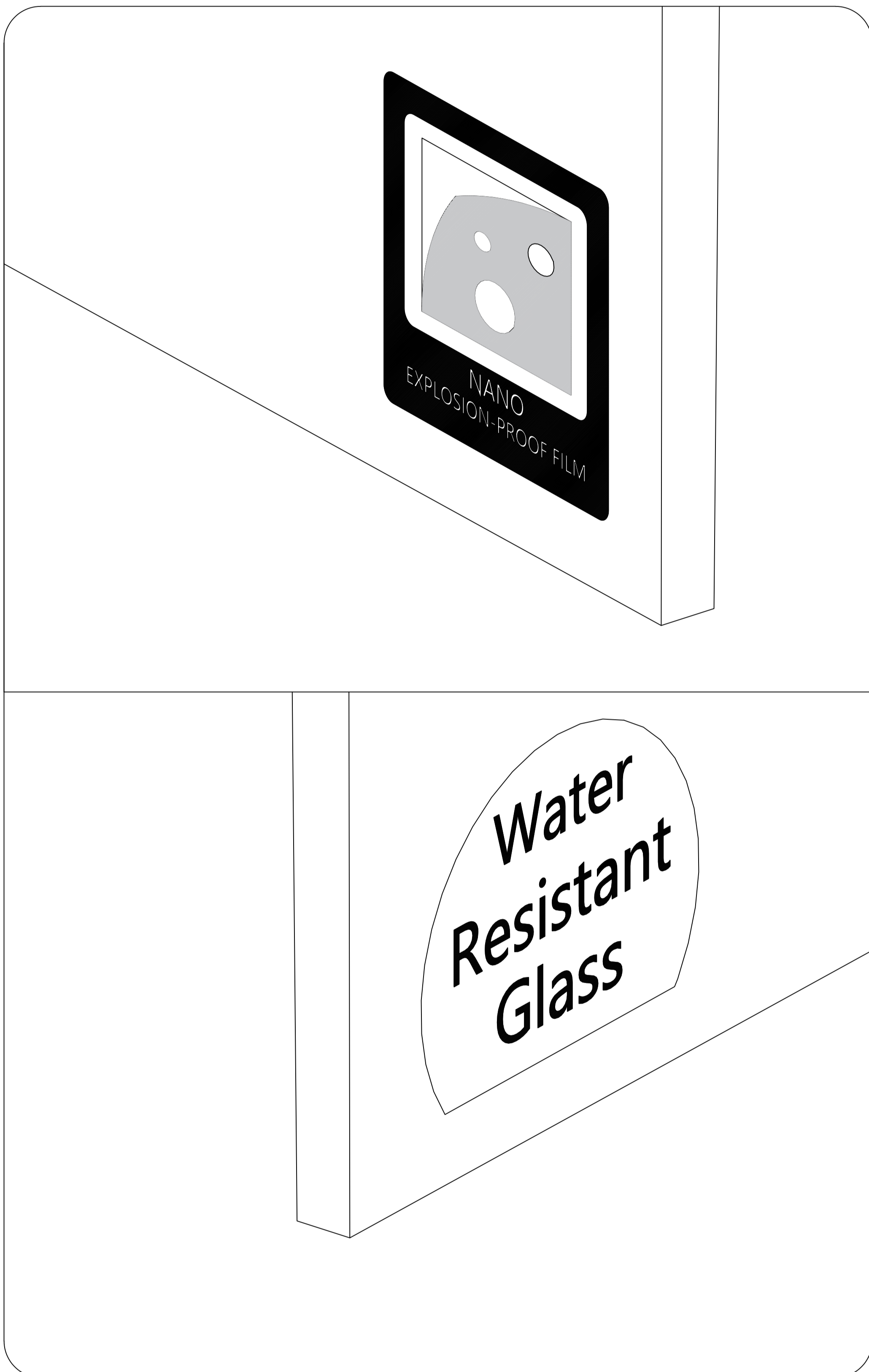


Roller (5) Installation

Right Hand Assembly

- 1、 Install the Roller (5) on the Glass Door(9) and faces outside as Fig.b.

Note:The active glass is double-sided nano, and can be freely installed

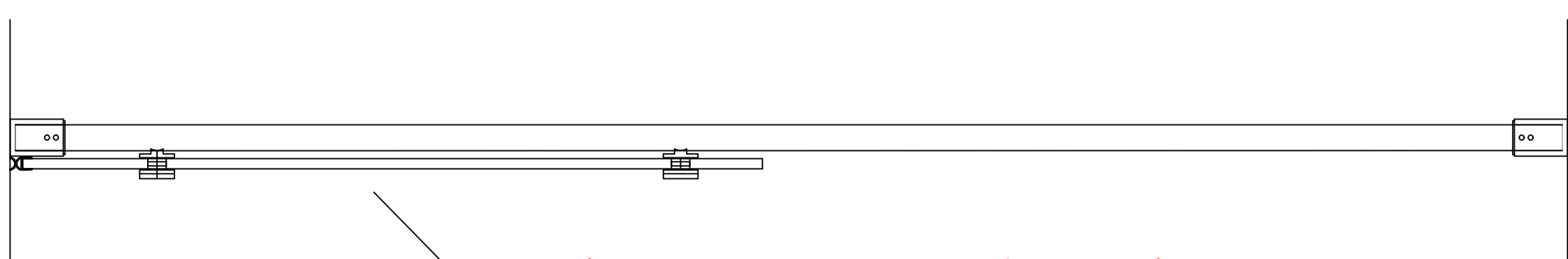
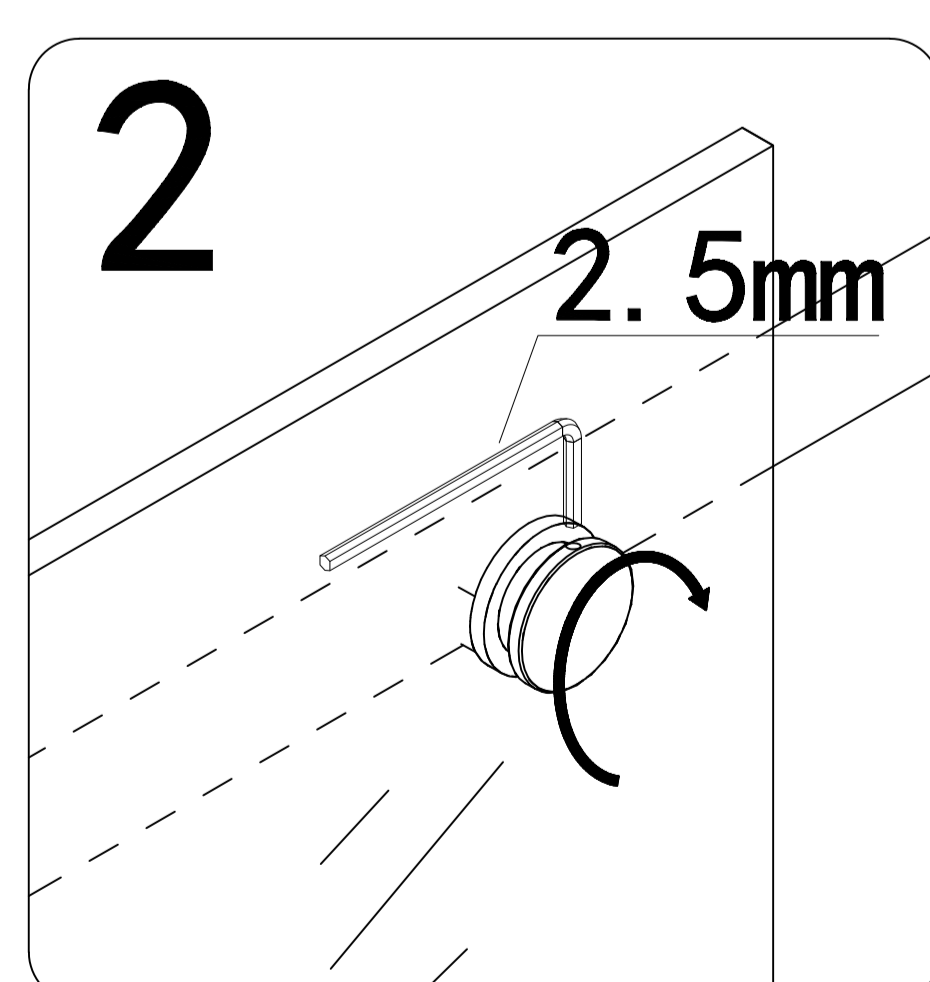
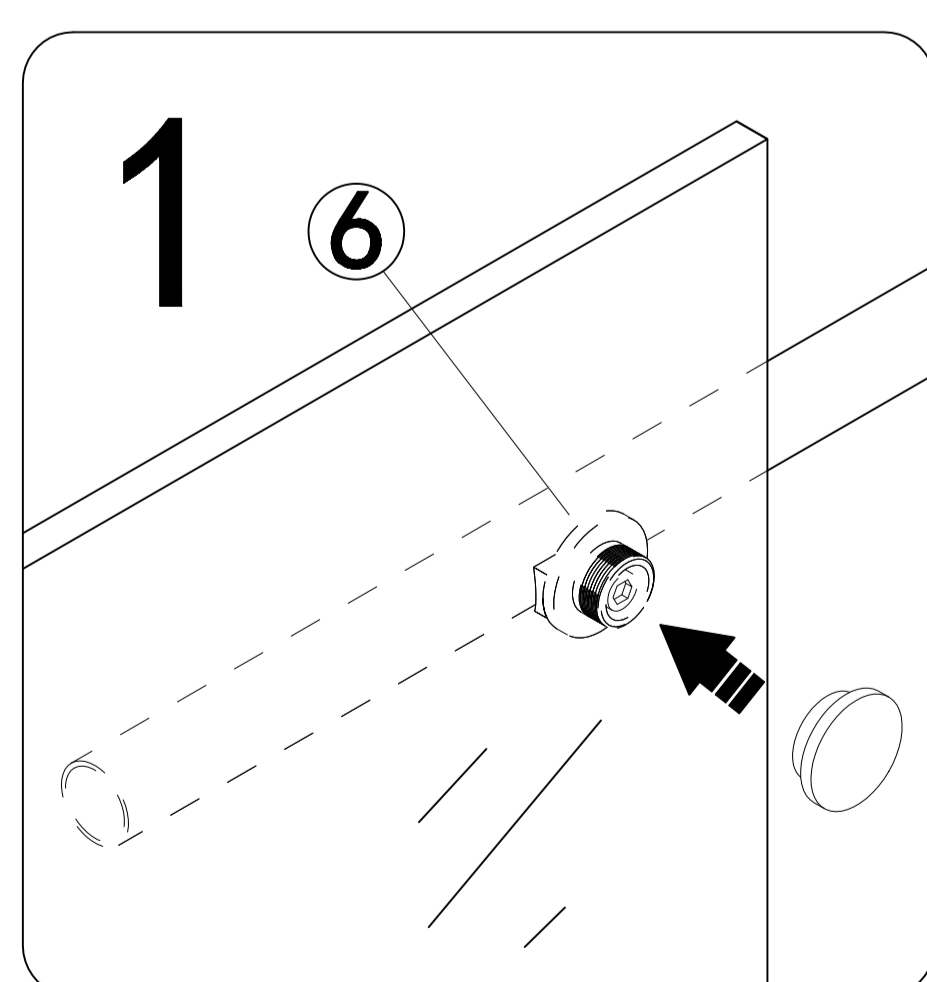
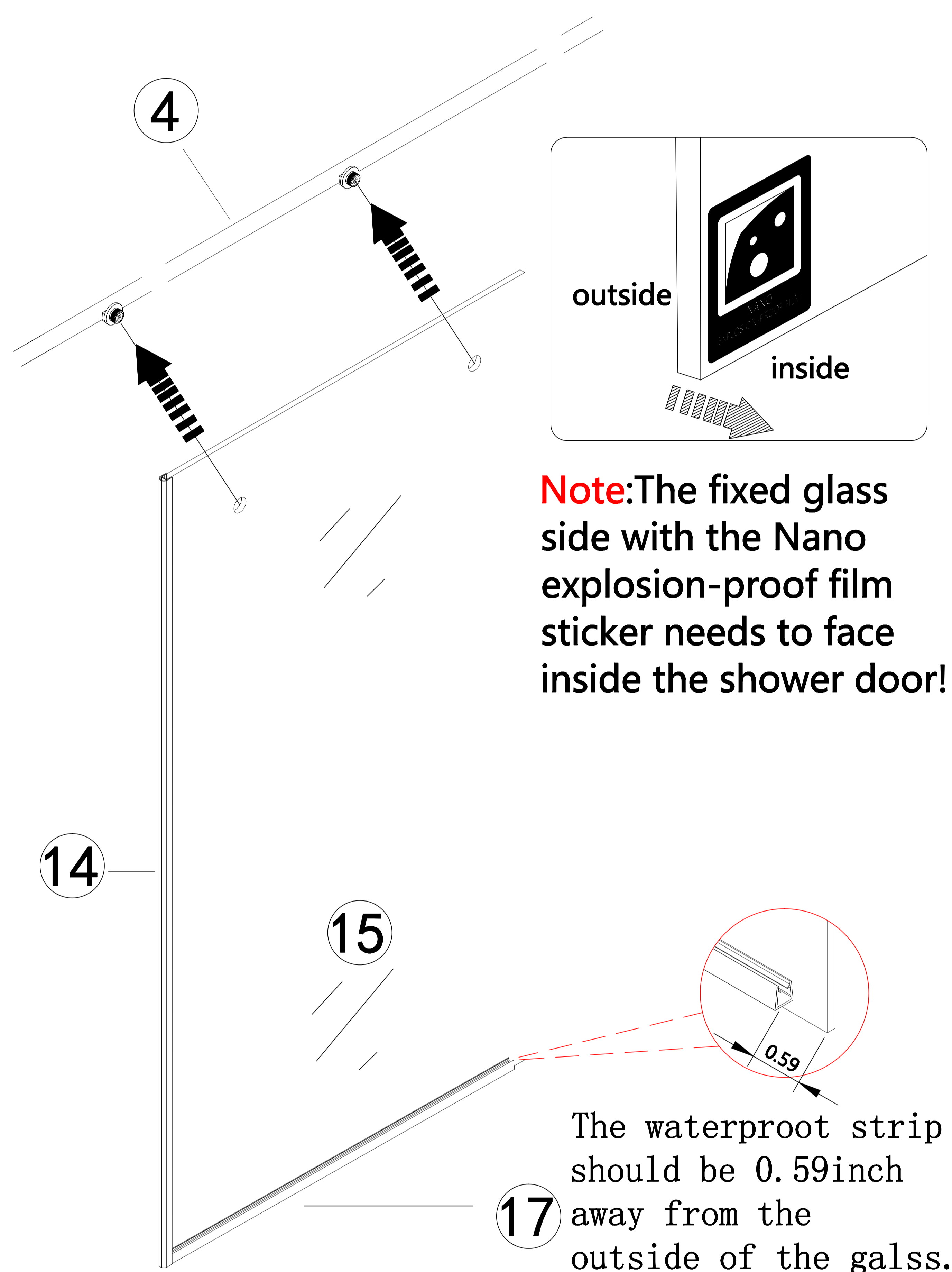


Choose the appropriate diagram below to assemble your shower door

Left Hand Assembly

STEP 6

1. Install waterproof strip (14) (17) on fix panel.
2. Hang the Fix Panel (15) onto the Top Rail (4).
3. Screw on the cover of Pull Rod Fixing Part (6).
Use the 2.5mm Allen wrench to tighten it.

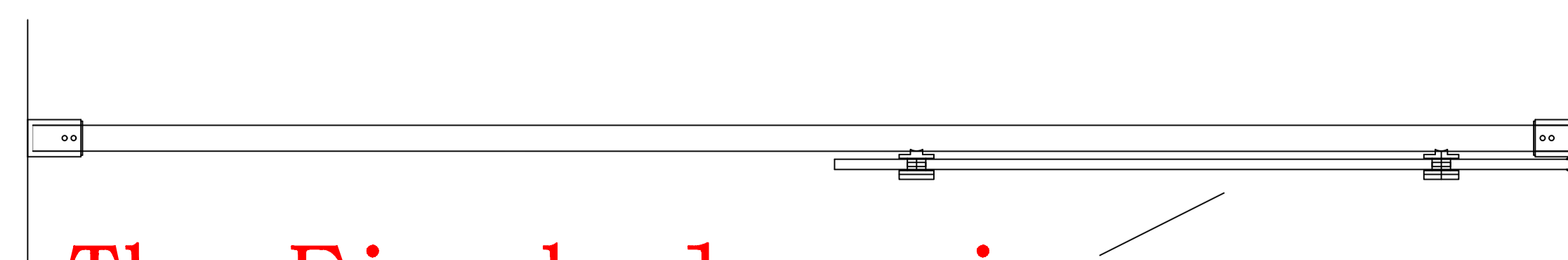
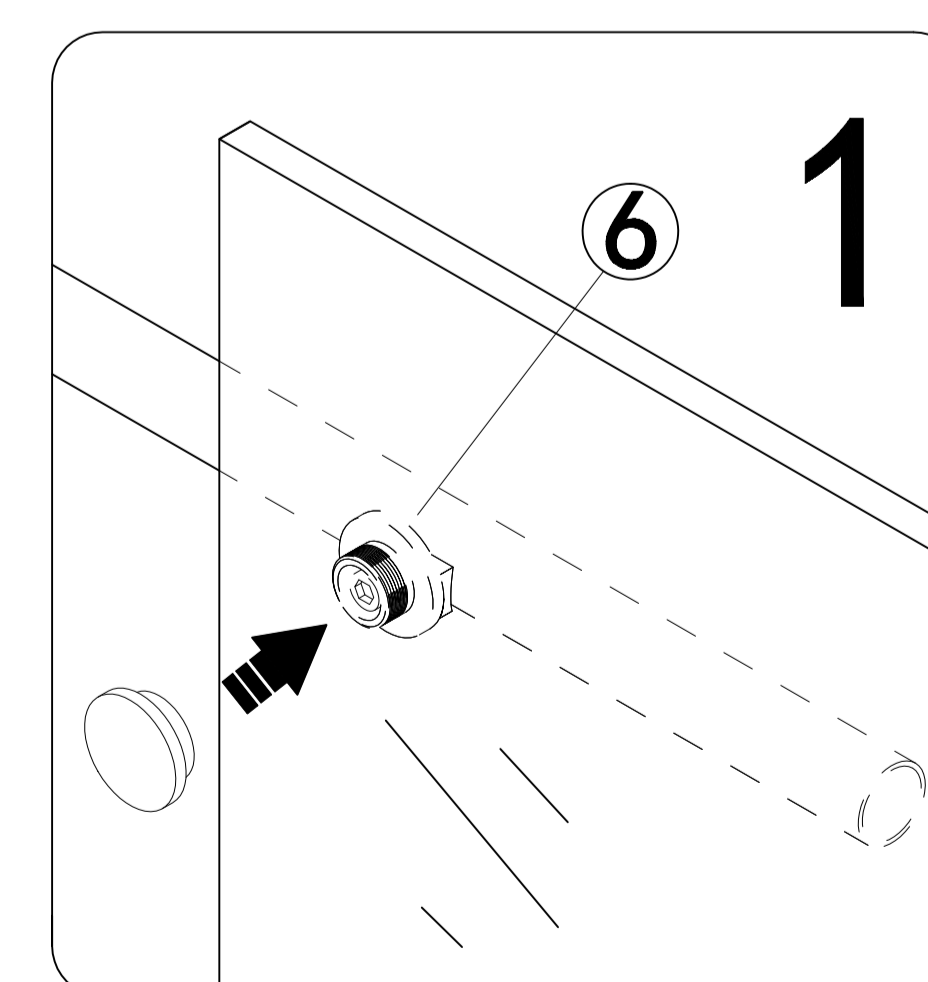
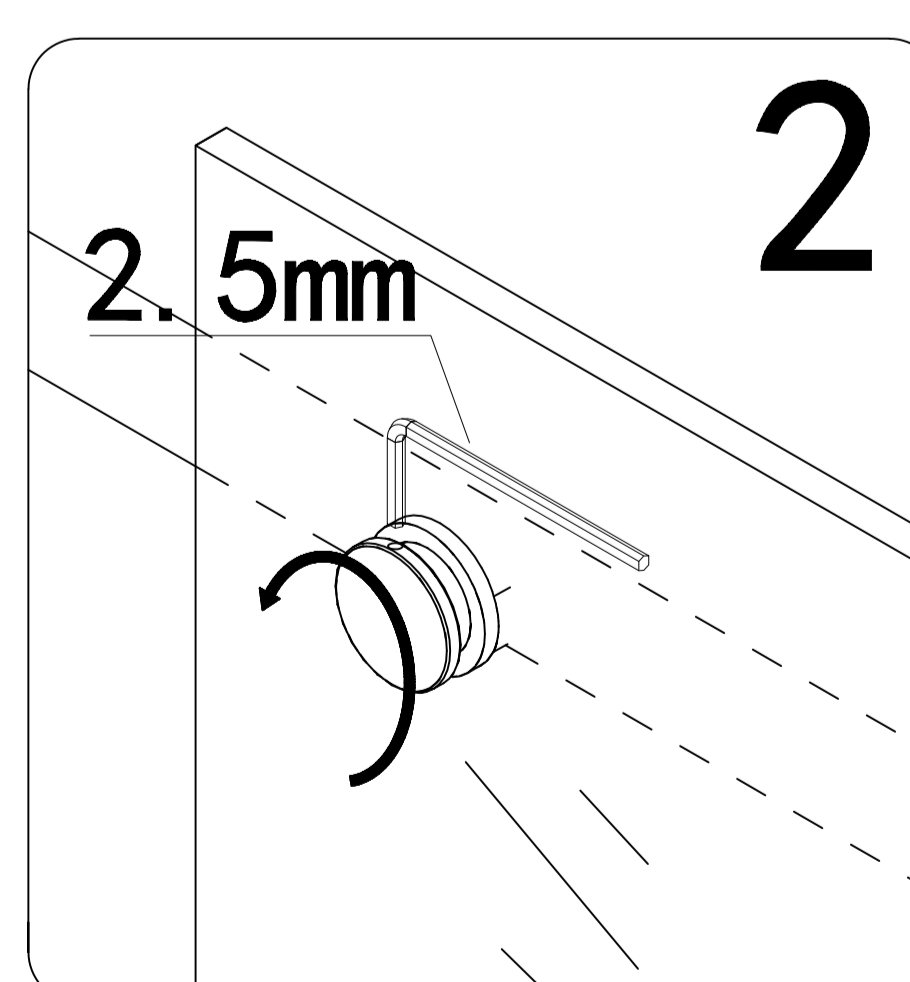
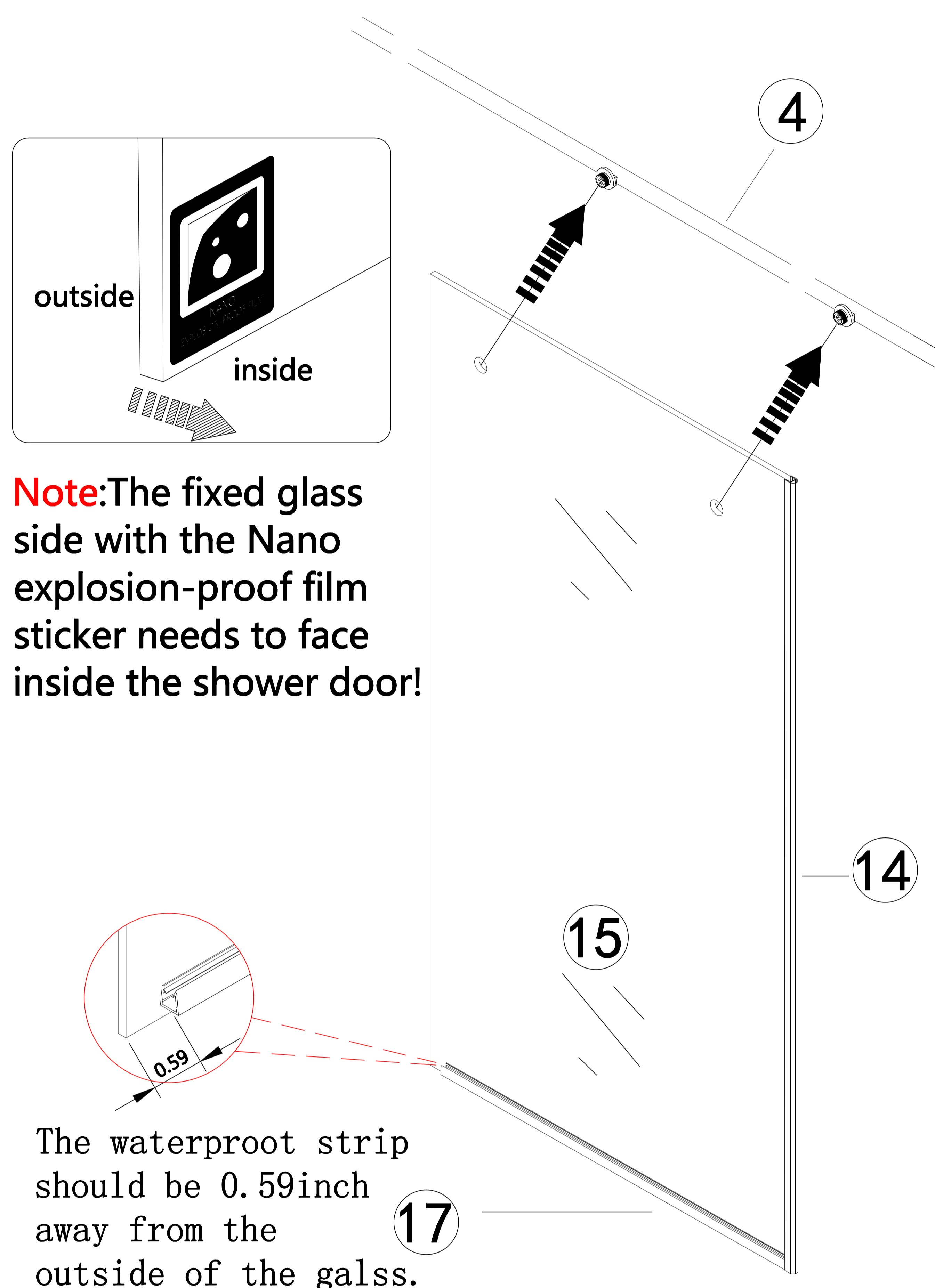


The Fixed glass is installed on the outside of the shower room

Left Hand Assembly

STEP 6

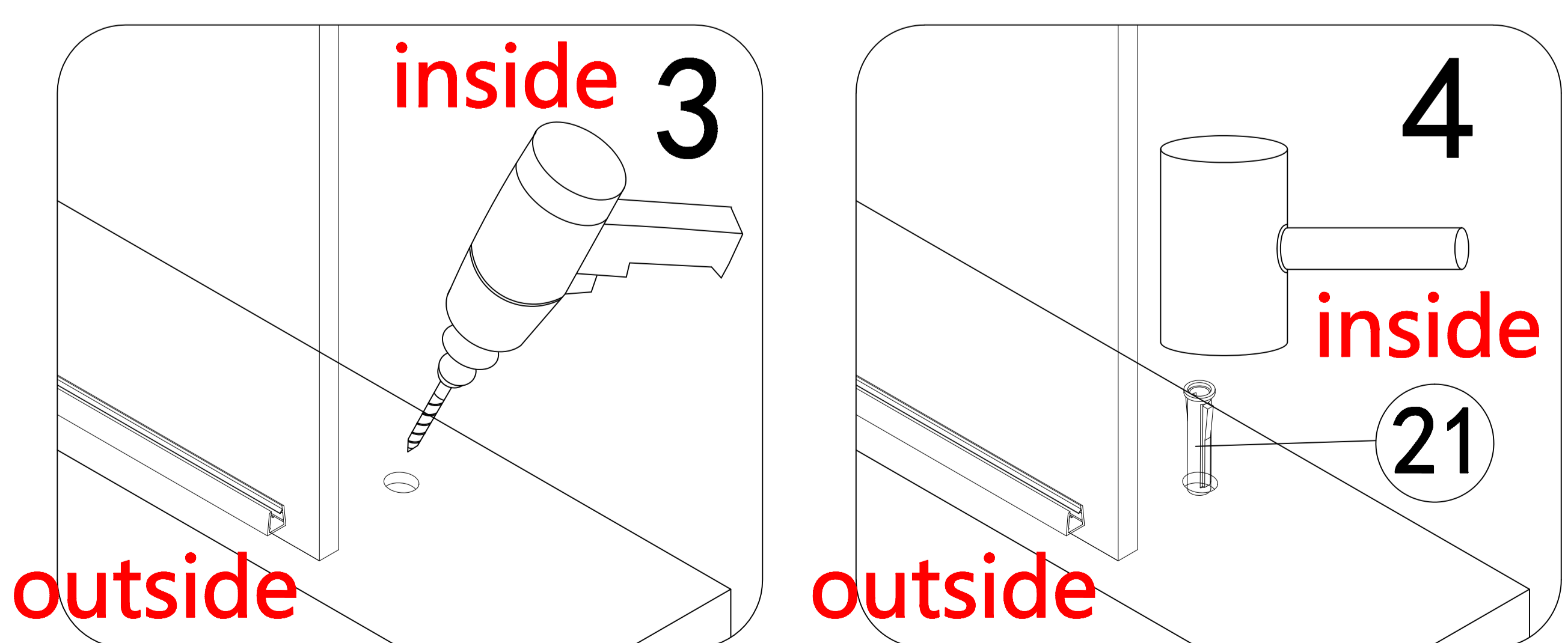
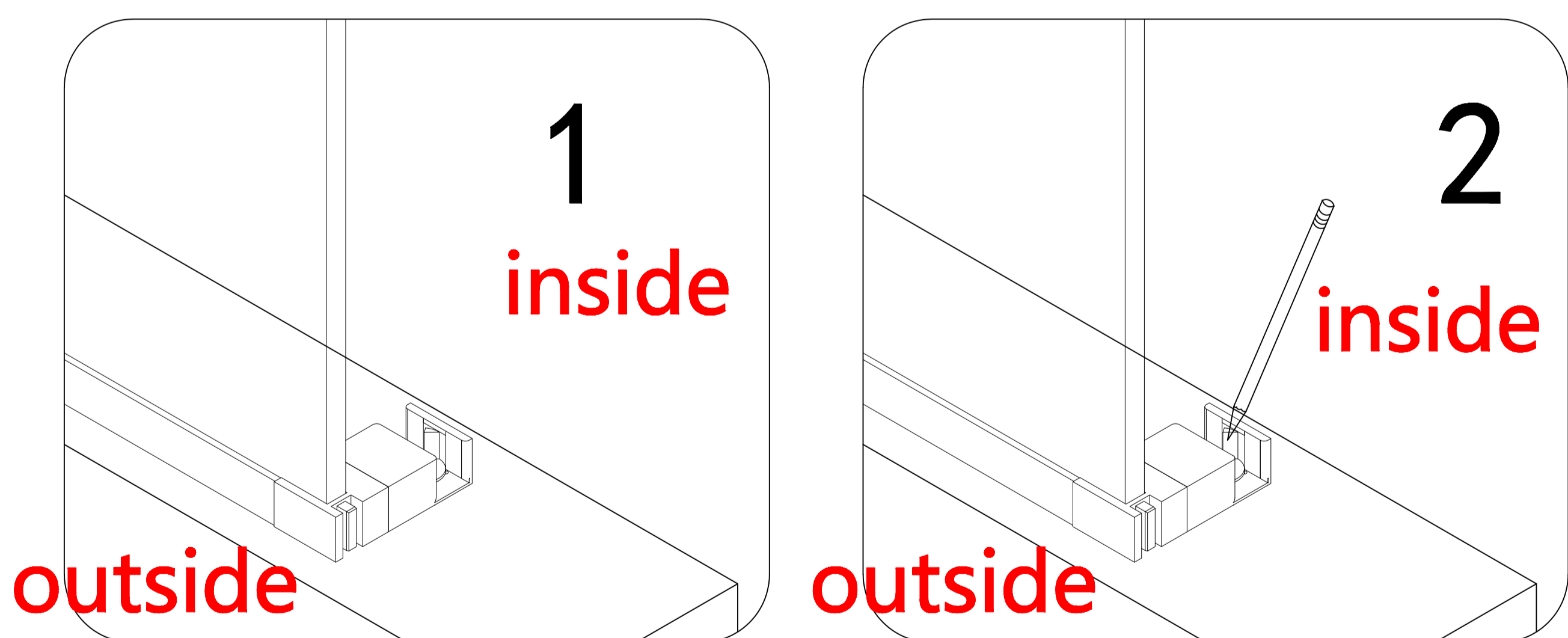
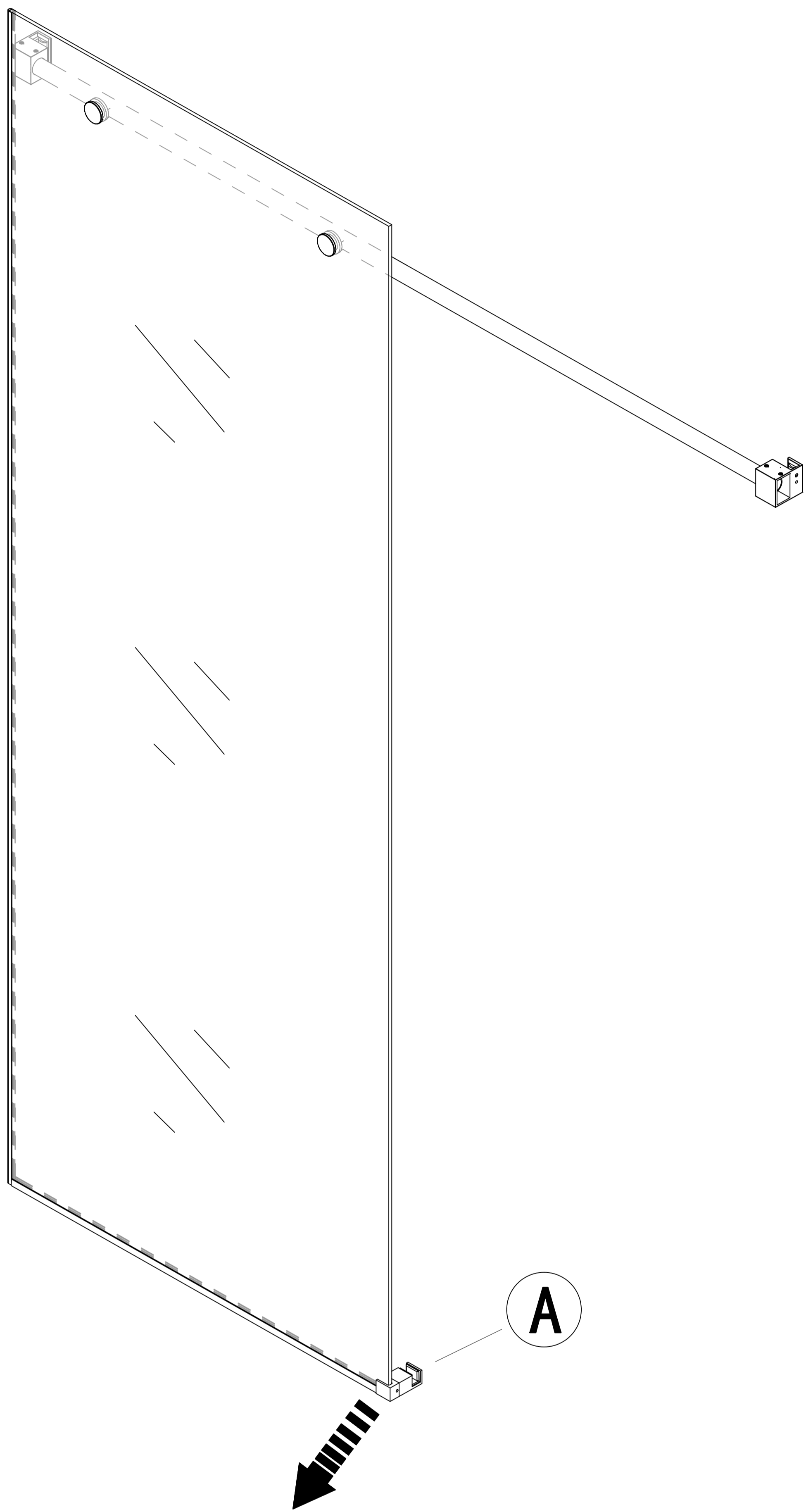
1. Install waterproof strip (14) (17) on fix panel.
2. Hang the Fix Panel (15) onto the Top Rail (4).
3. Screw on the cover of Pull Rod Fixing Part (6).
Use the 2.5mm Allen wrench to tighten it.



The Fixed glass is installed on the outside of the shower room

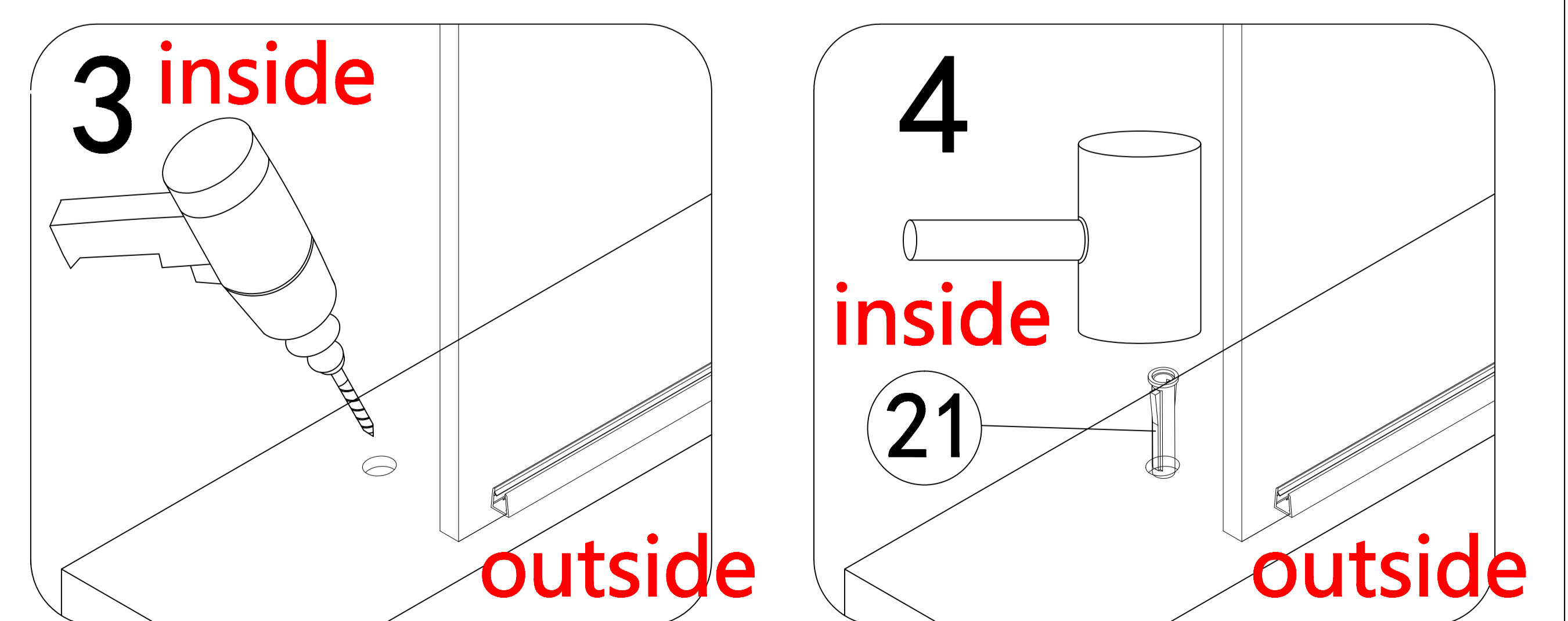
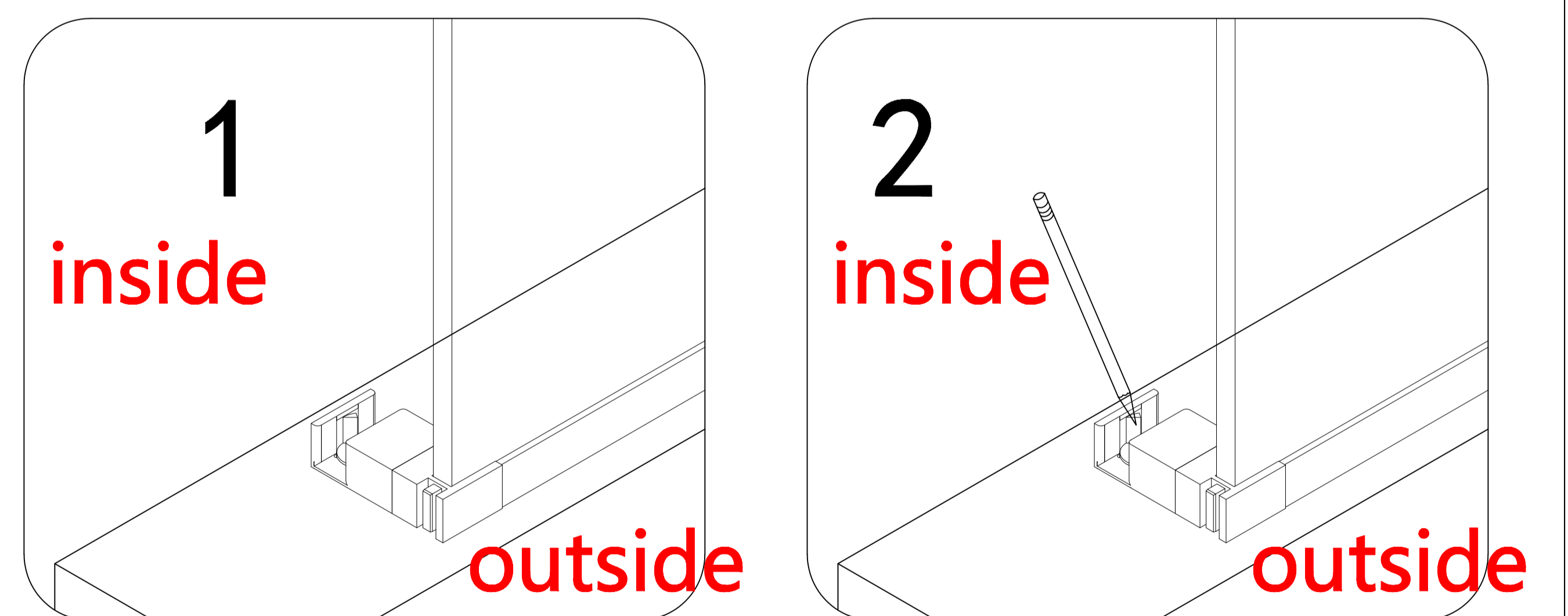
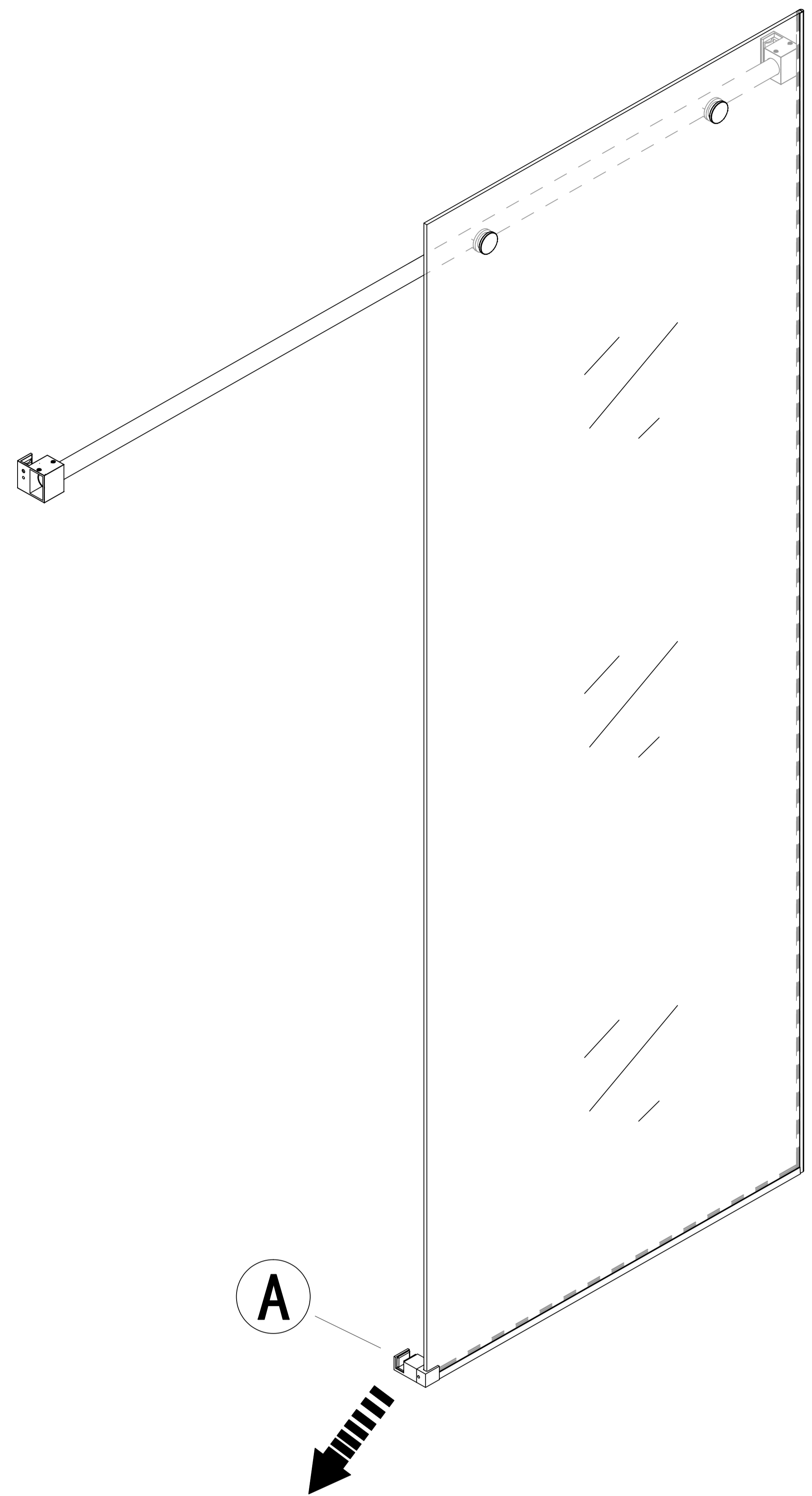
Choose the appropriate diagram below to assemble your shower door

Left Hand Assembly



! Note : If the ground cannot be drilled ,please fixed it using glass glue.

Right Hand Assembly



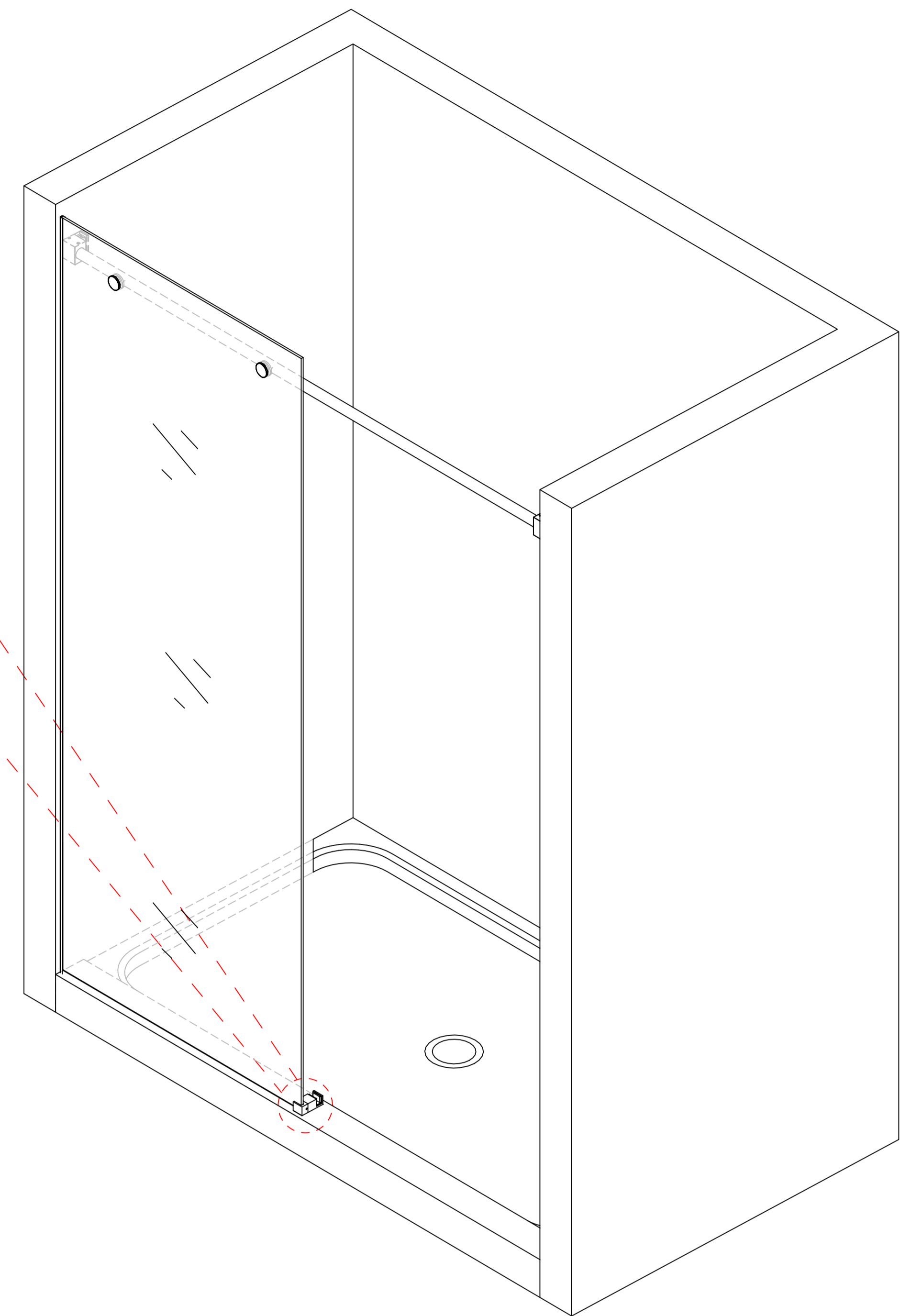
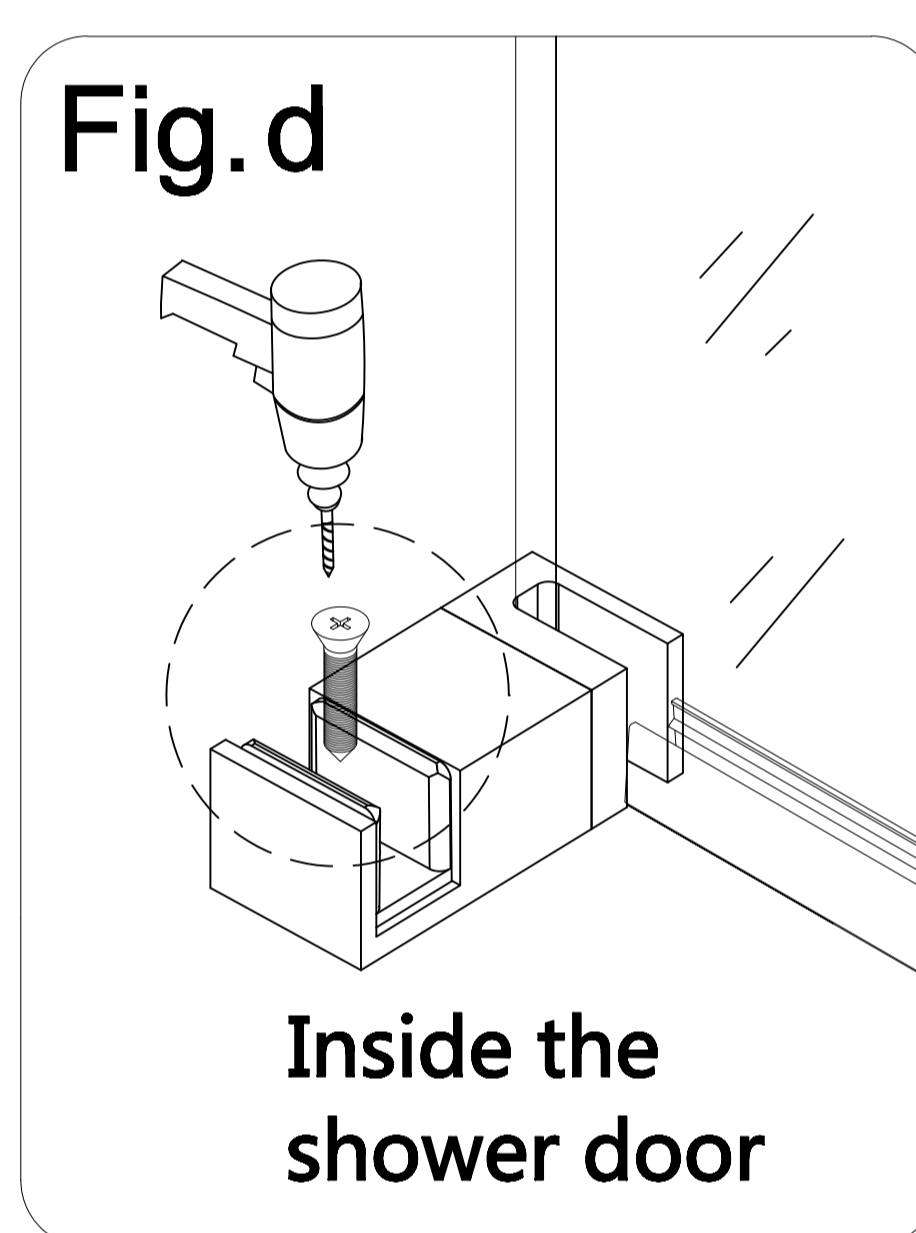
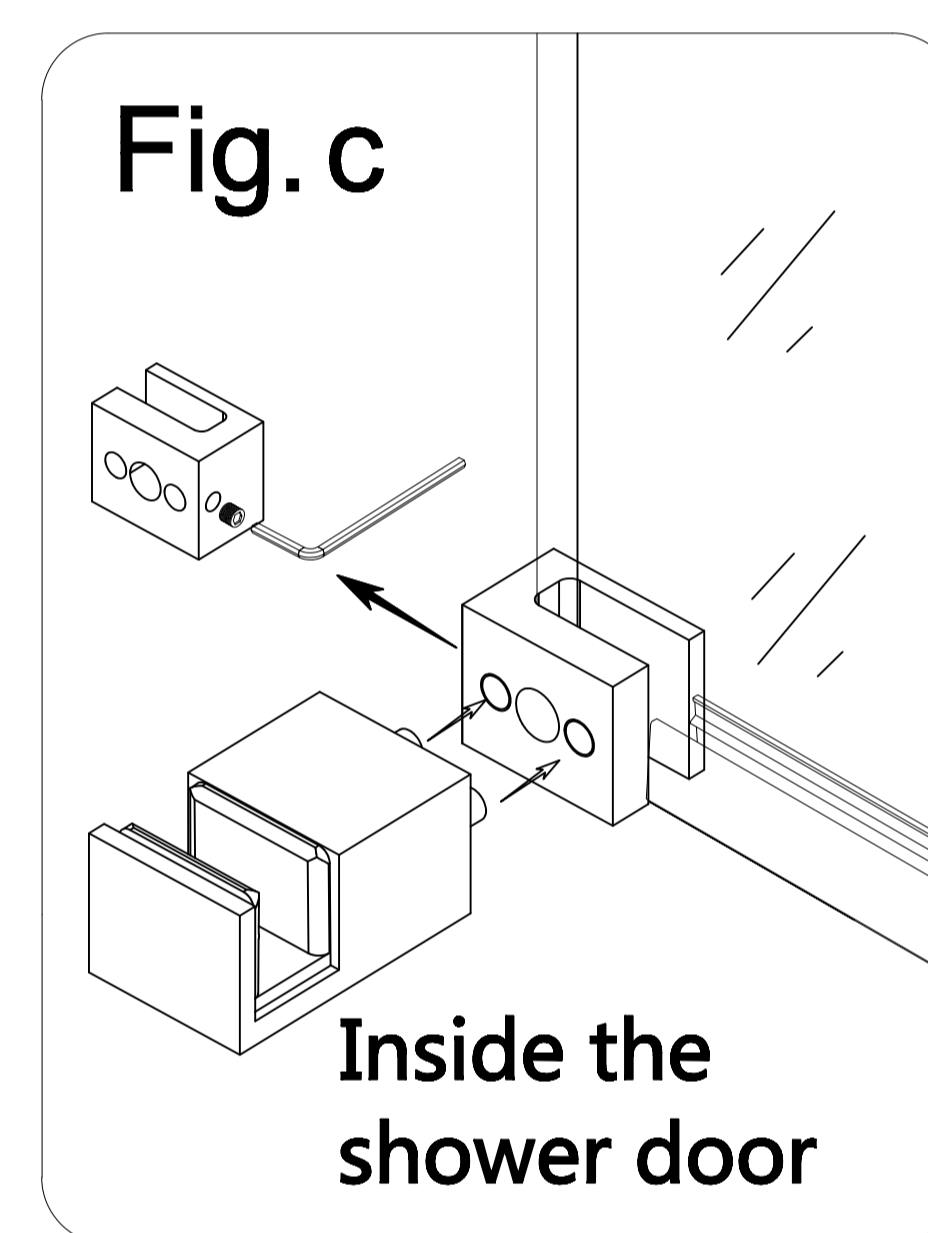
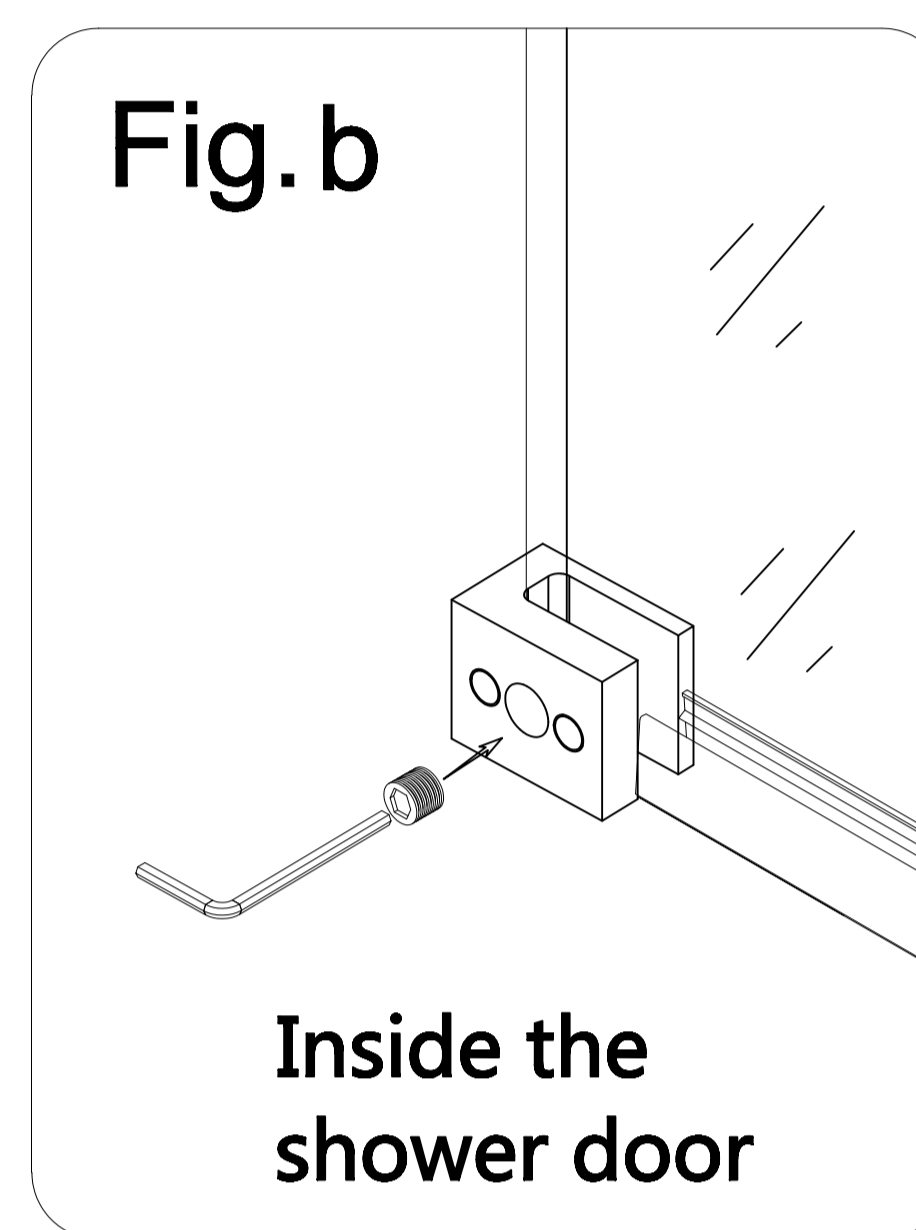
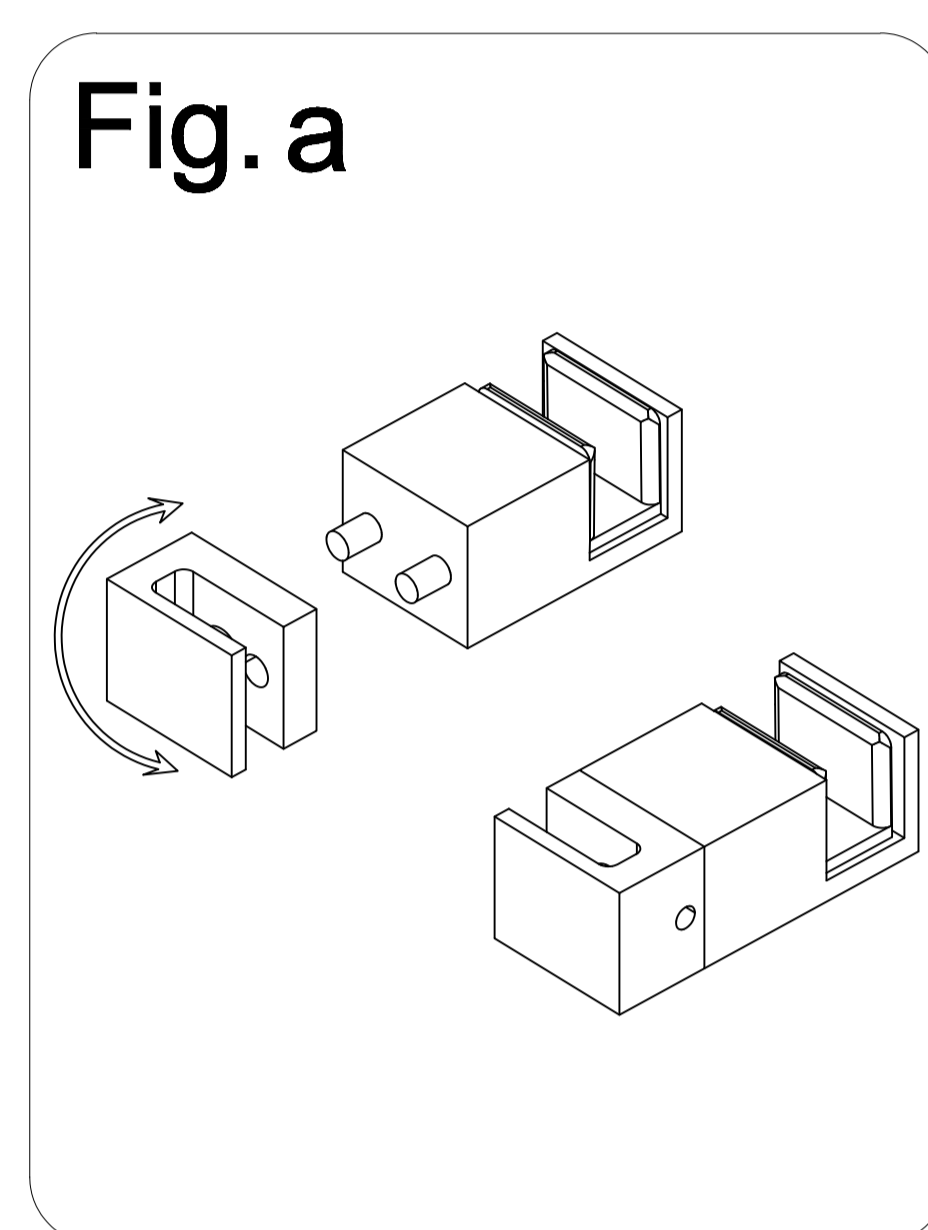
! Note : If the ground cannot be drilled ,please fixed it using glass glue.

Guide Block (16) Installation

1. Note : As shown in Figure a , rotation direction can be changed.
- 2 .As shown in Figure b,sliding block (16) is fitted in the overlapping section of the fixed panel and the active panel, and tightened with a 4 mm allen wrench.
3. As shown in Figure c, insert the locating pin of the sliding block into the hole position and tighten it with a 2 mm allen wrench.
4. As shown in Figure d,tighten it Screws. (4×35) .
5. Note : If cannot be drilled ,please fixed it with glass gule.

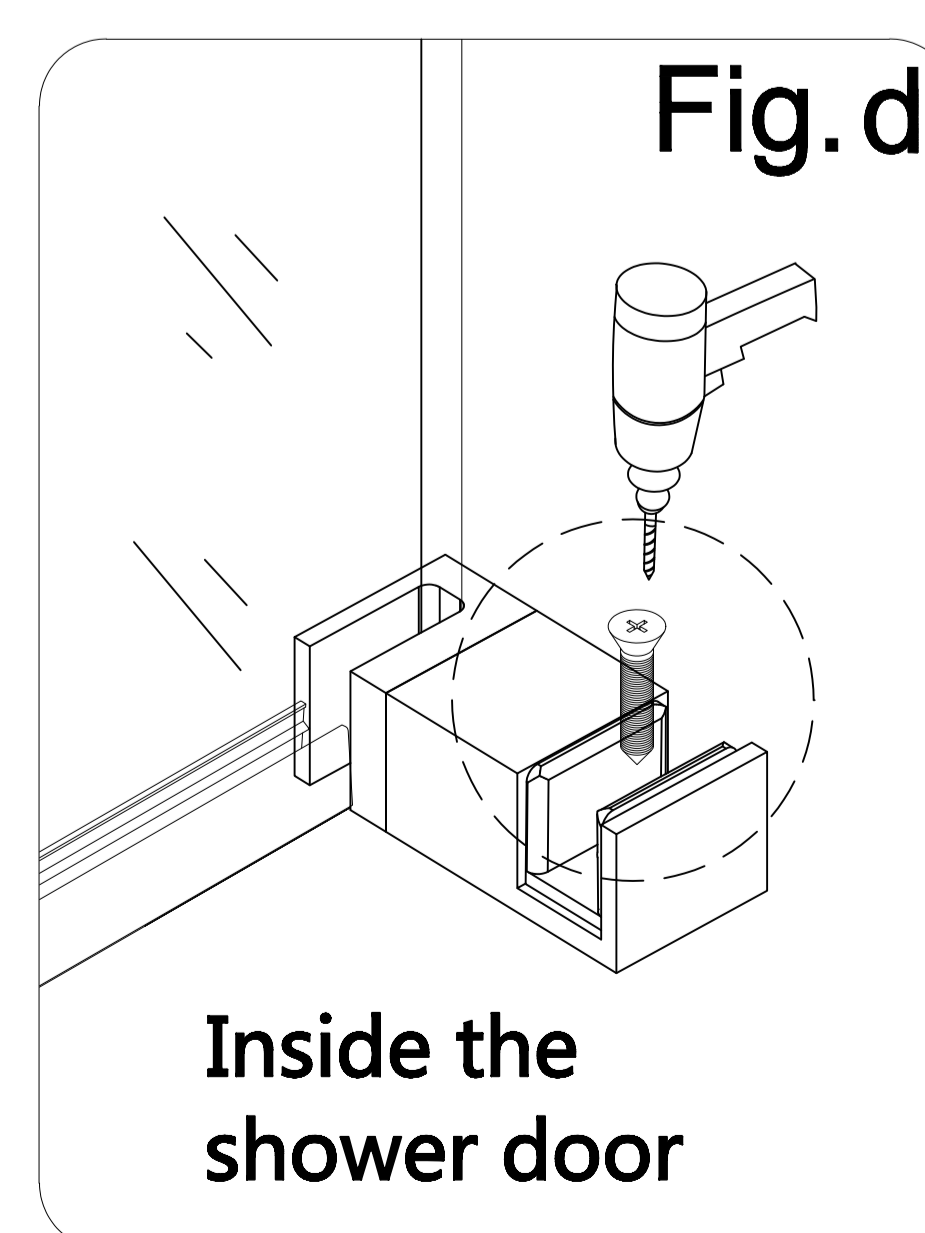
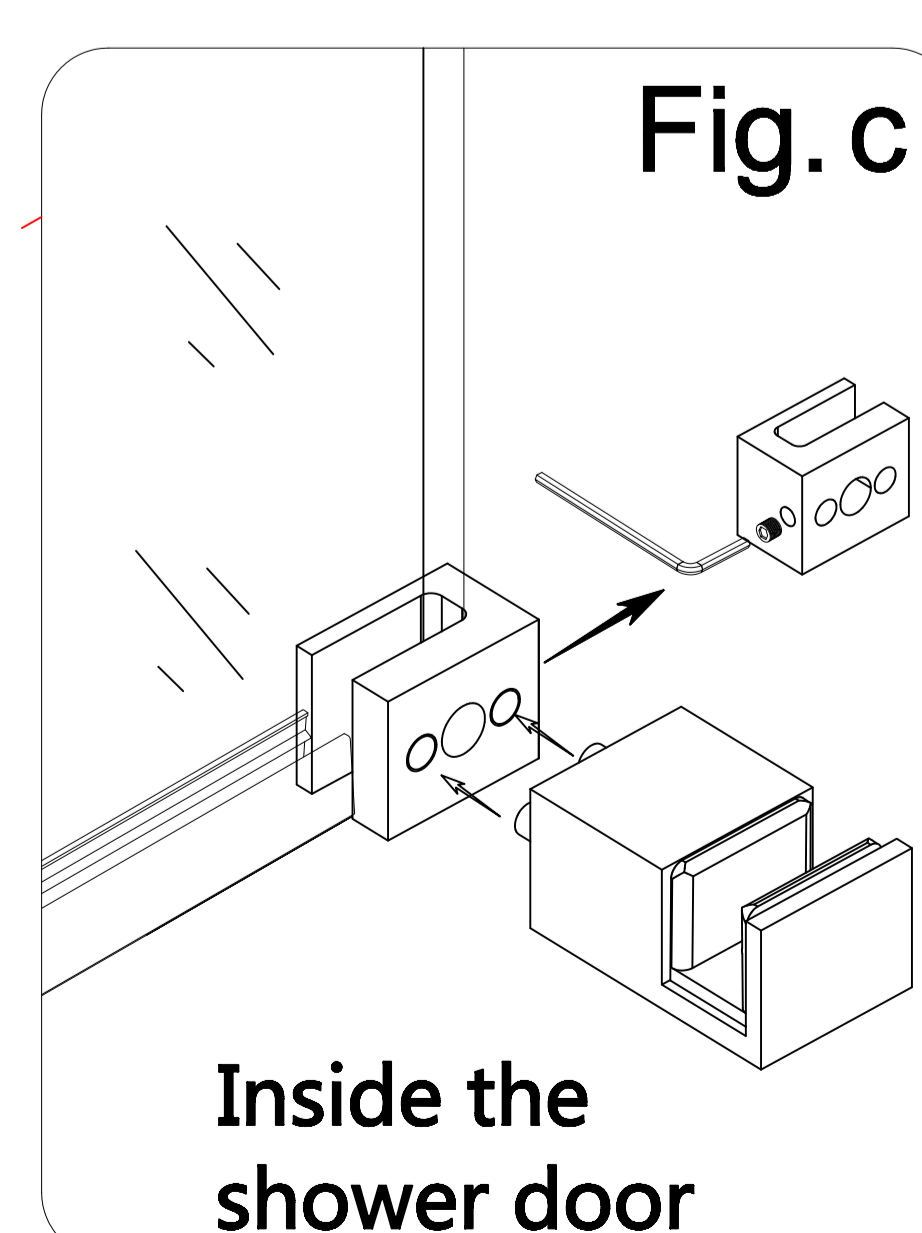
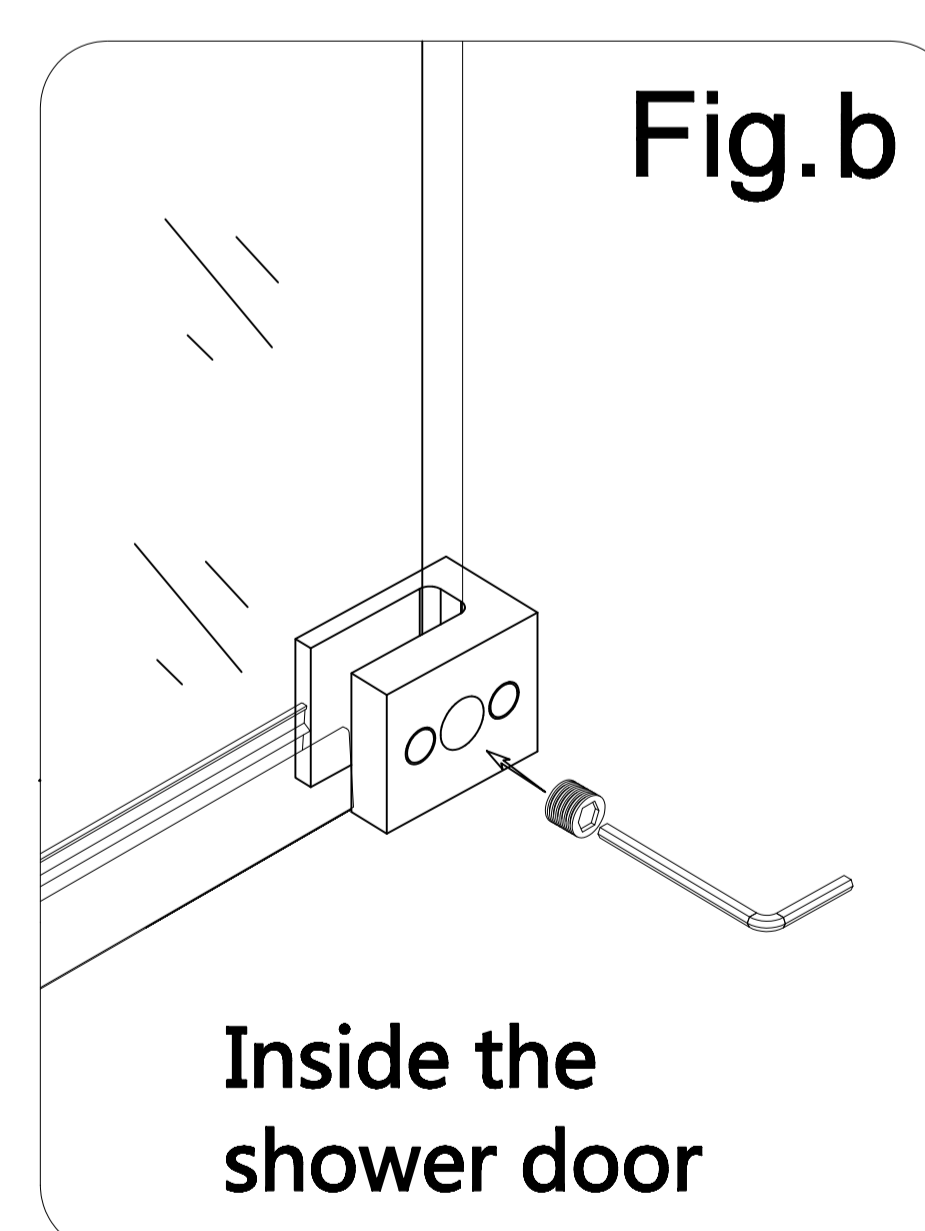
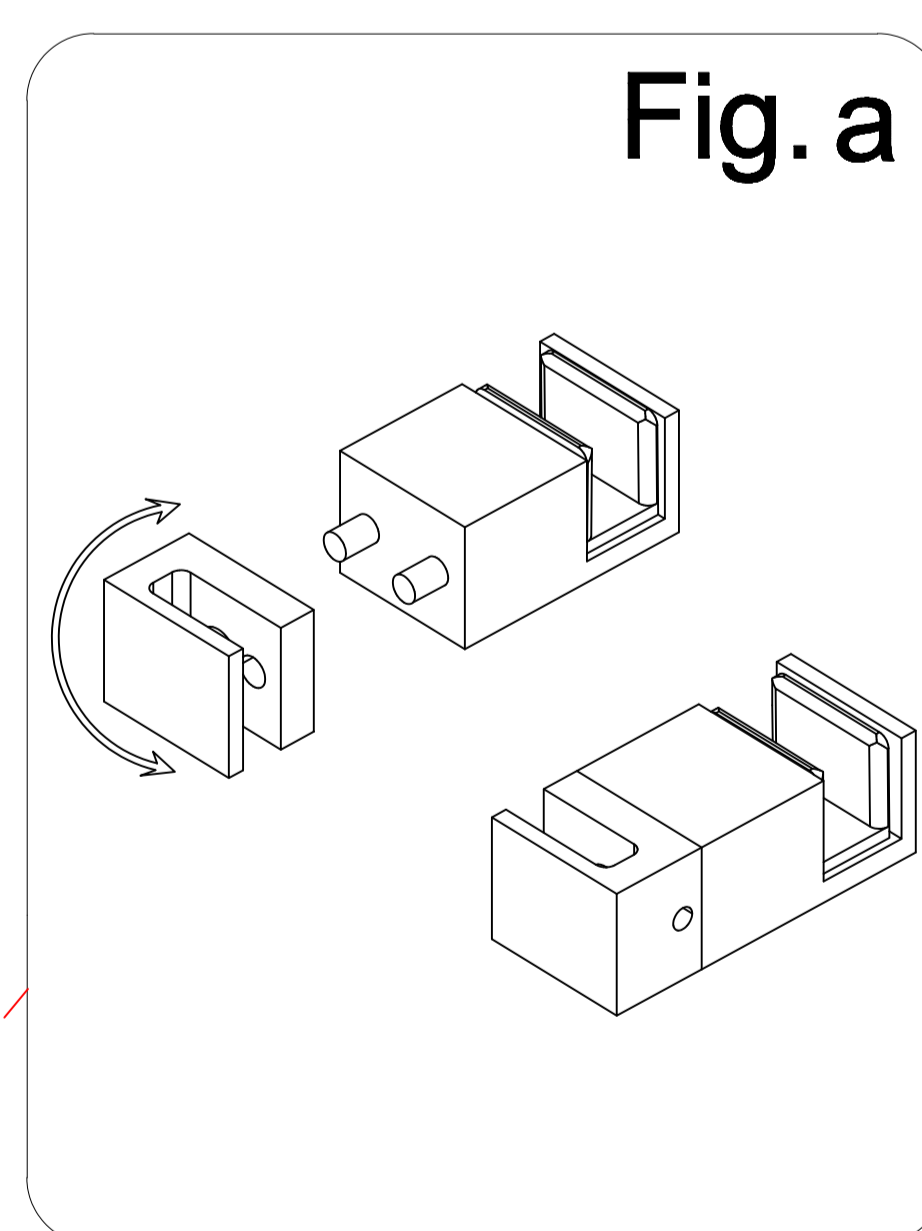
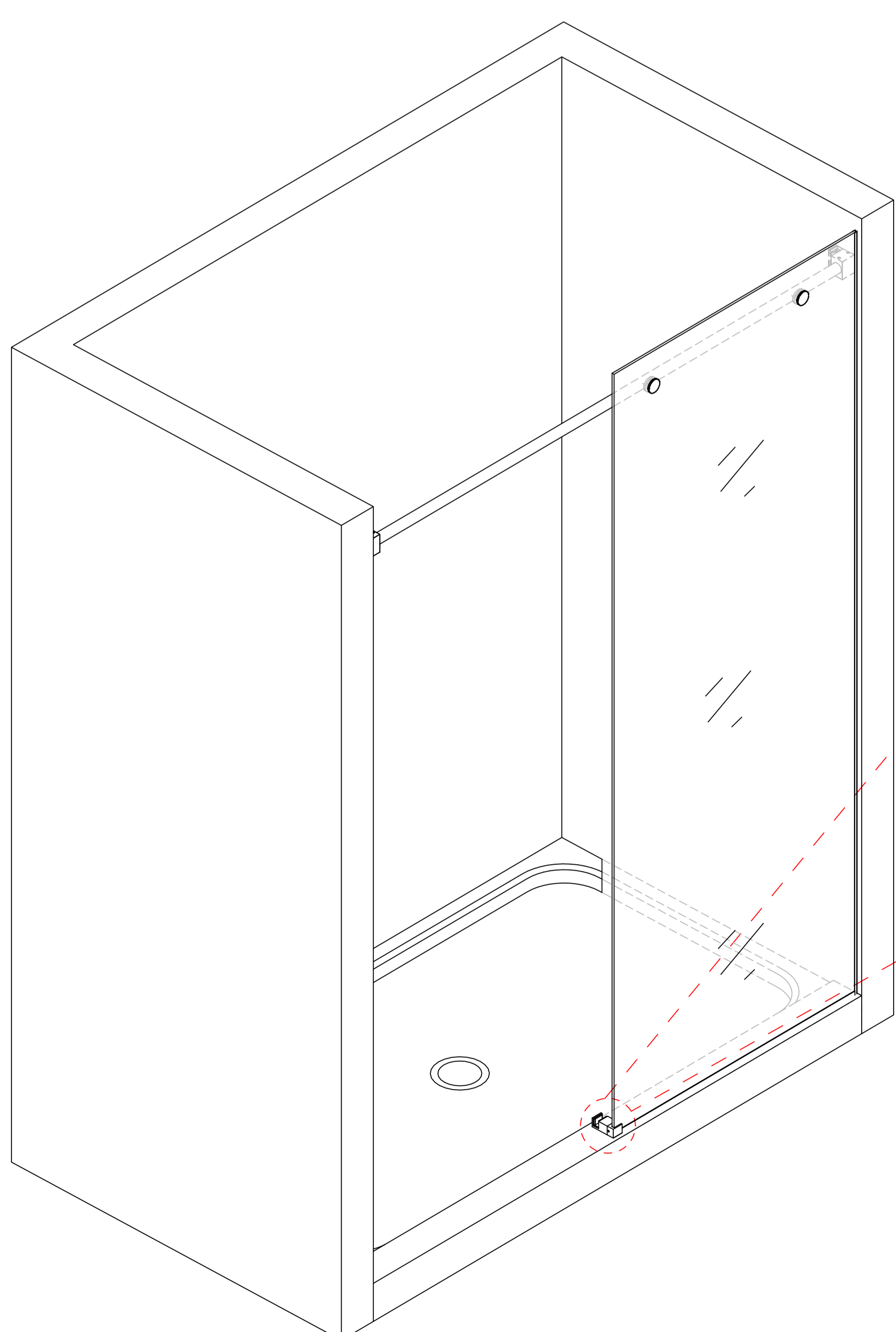
Left Hand Assembly

! Note : If the ground cannot be drilled ,please fixed it using glass glue



! Note : The screws should not be tightened too much, just right is fine, too much tightness will cause the sliding glass to be not smooth when pushed and pulled.

Right Hand Assembly



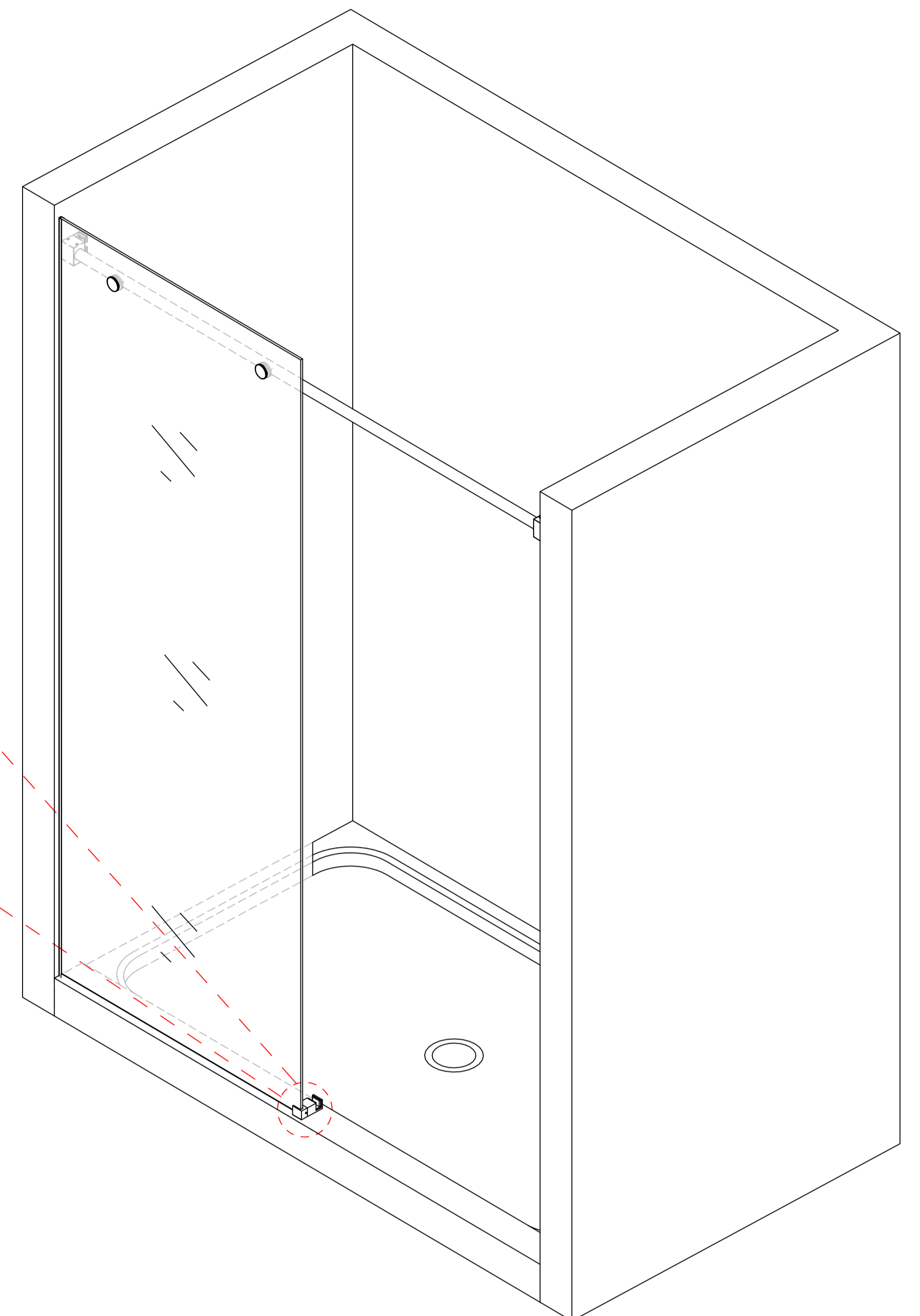
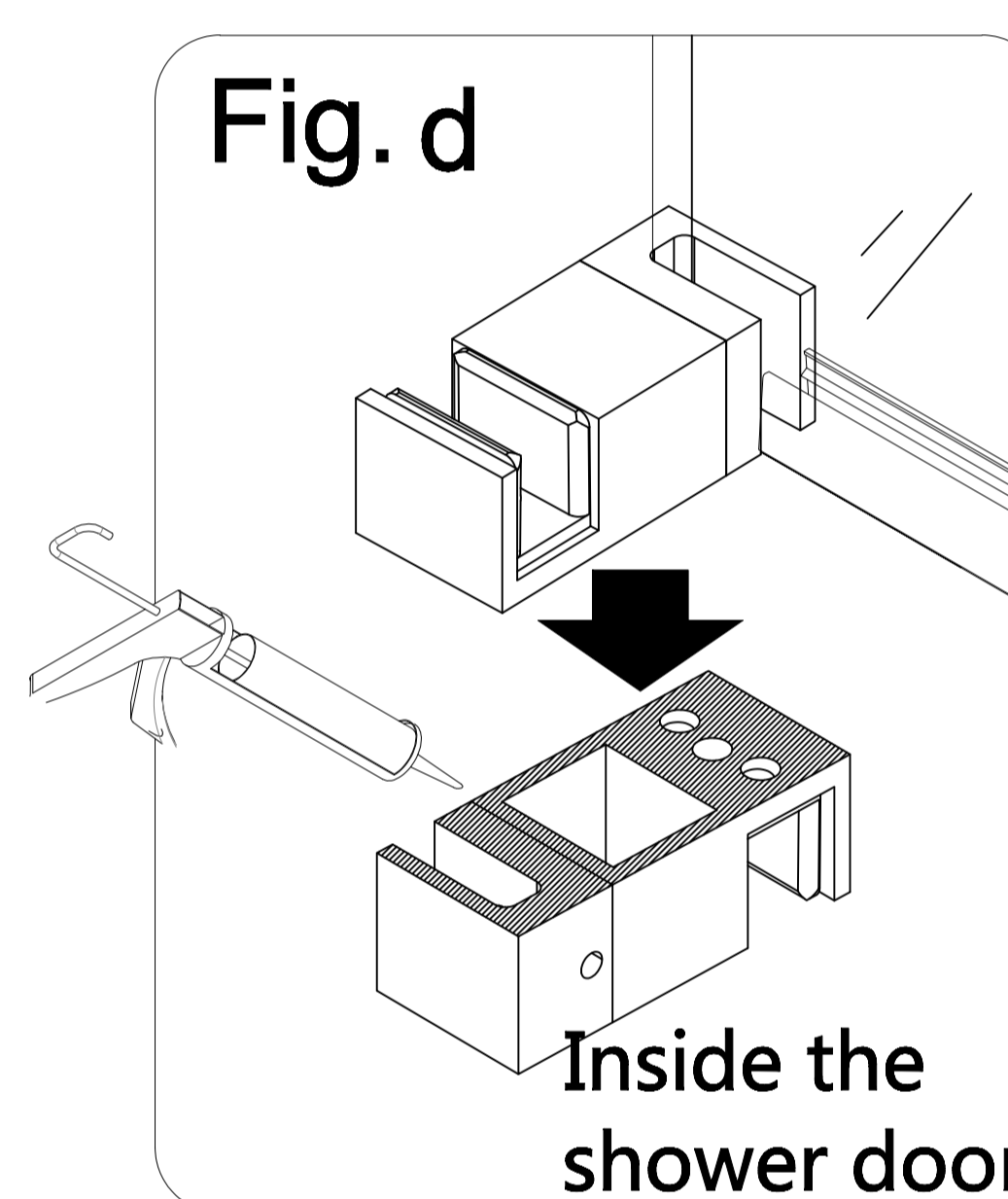
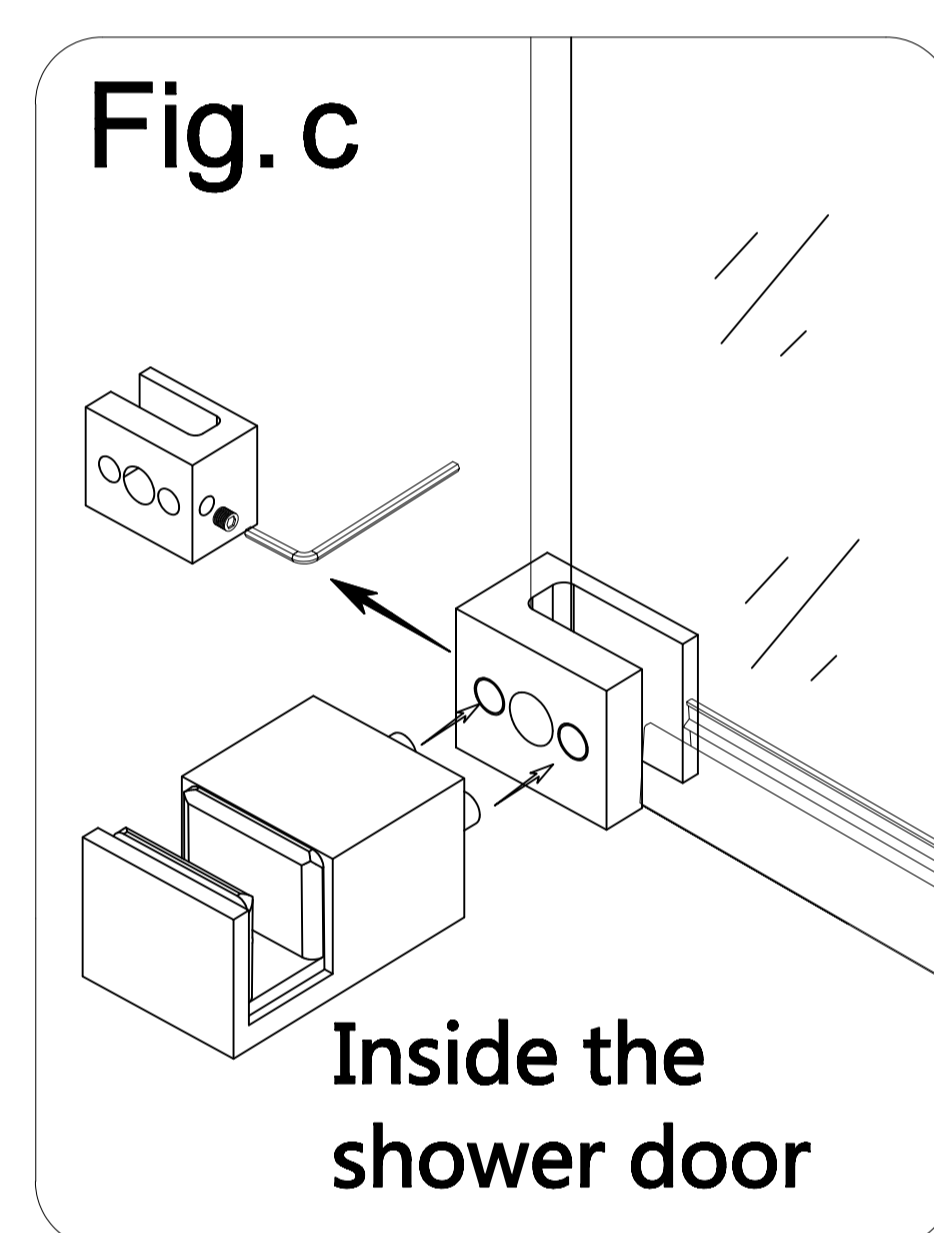
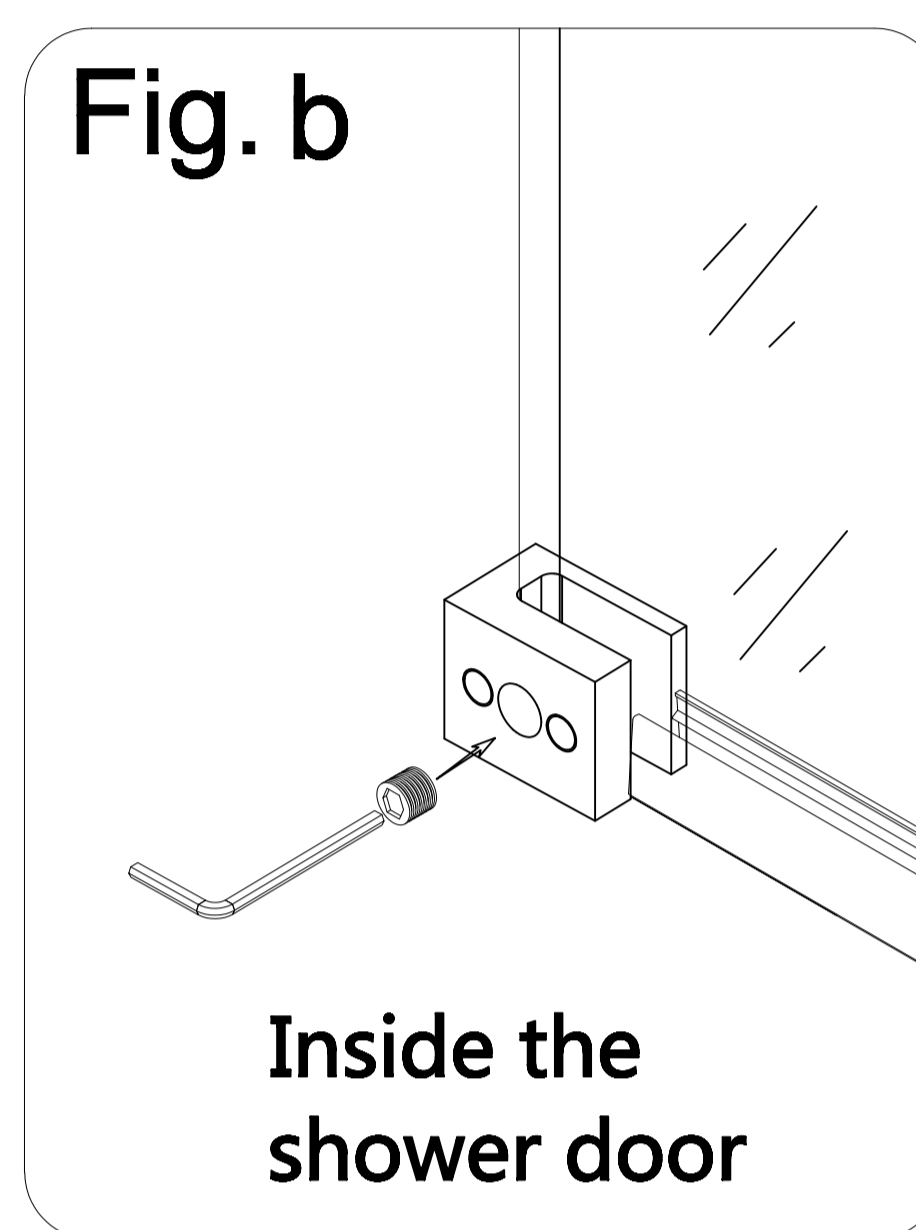
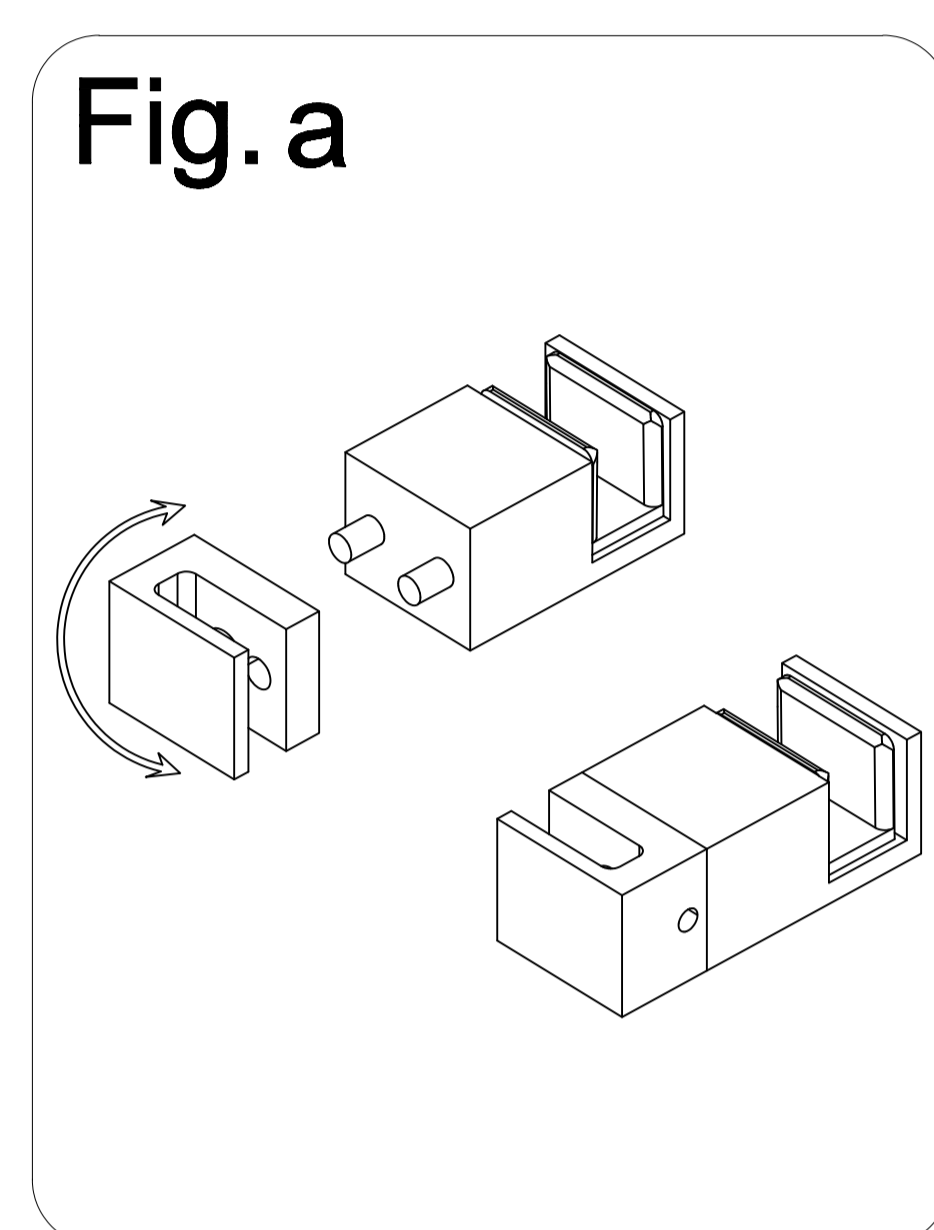
! Note : If the ground cannot be drilled ,please fixed it using glass glue

! Note : The screws should not be tightened too much, just right is fine, too much tightness will cause the sliding glass to be not smooth when pushed and pulled.

Guide Block (16) Installation

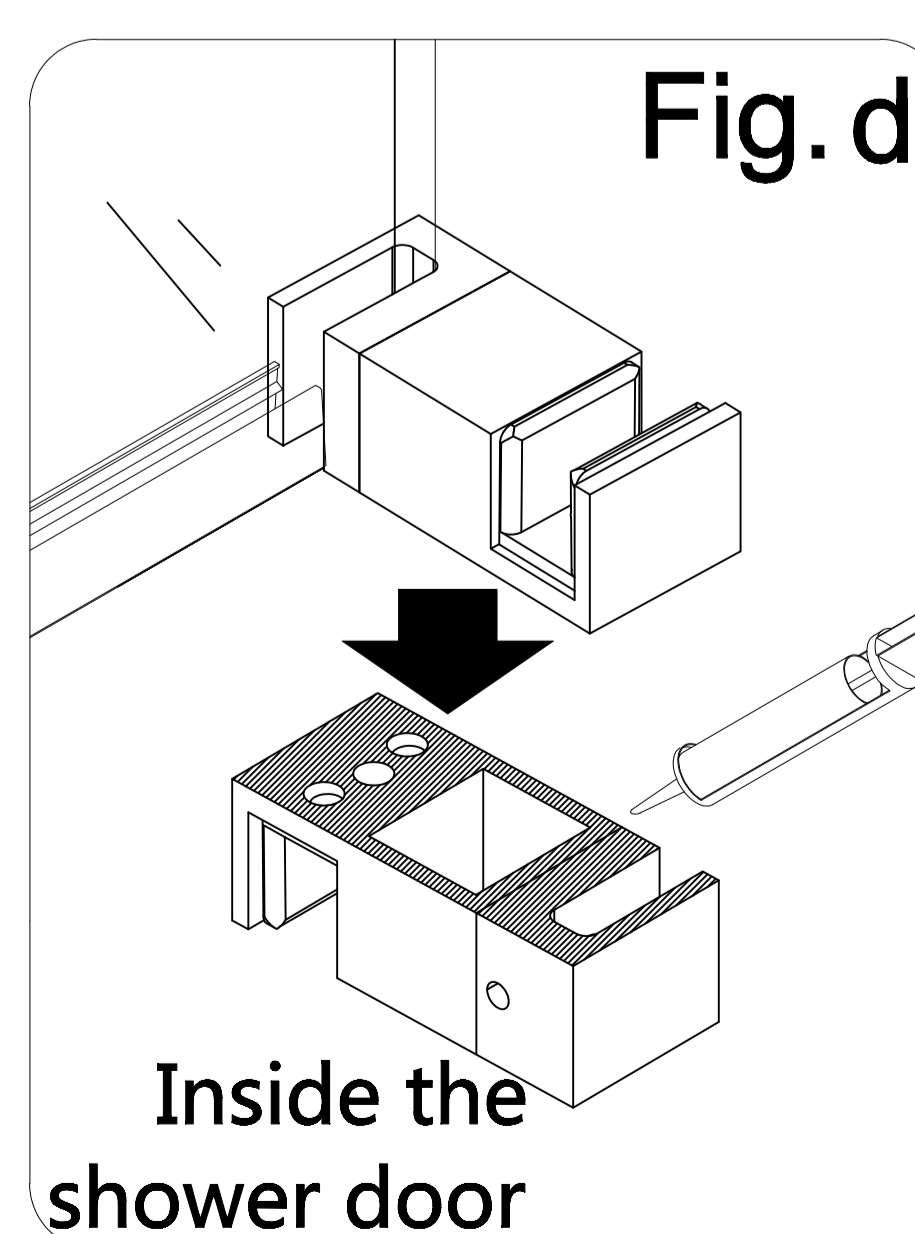
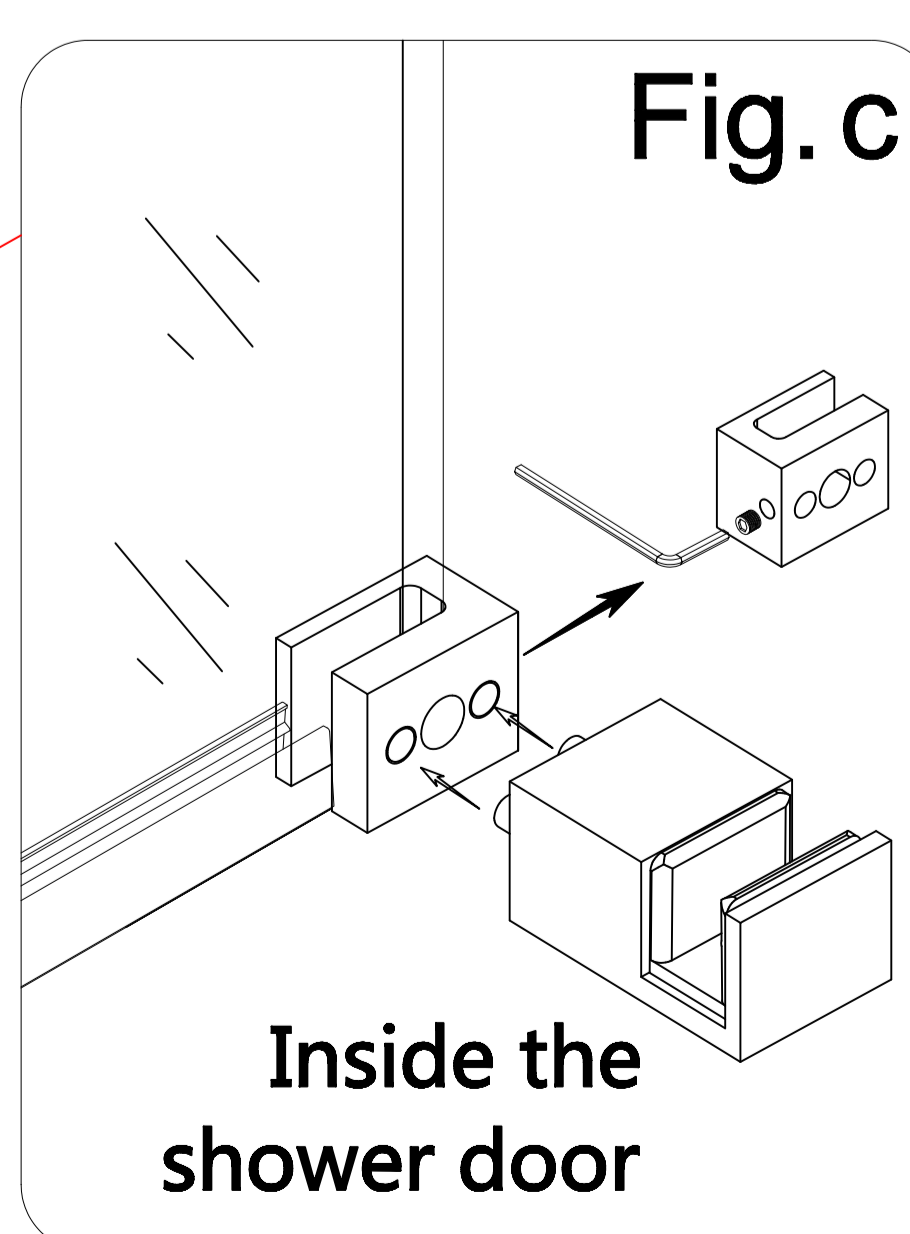
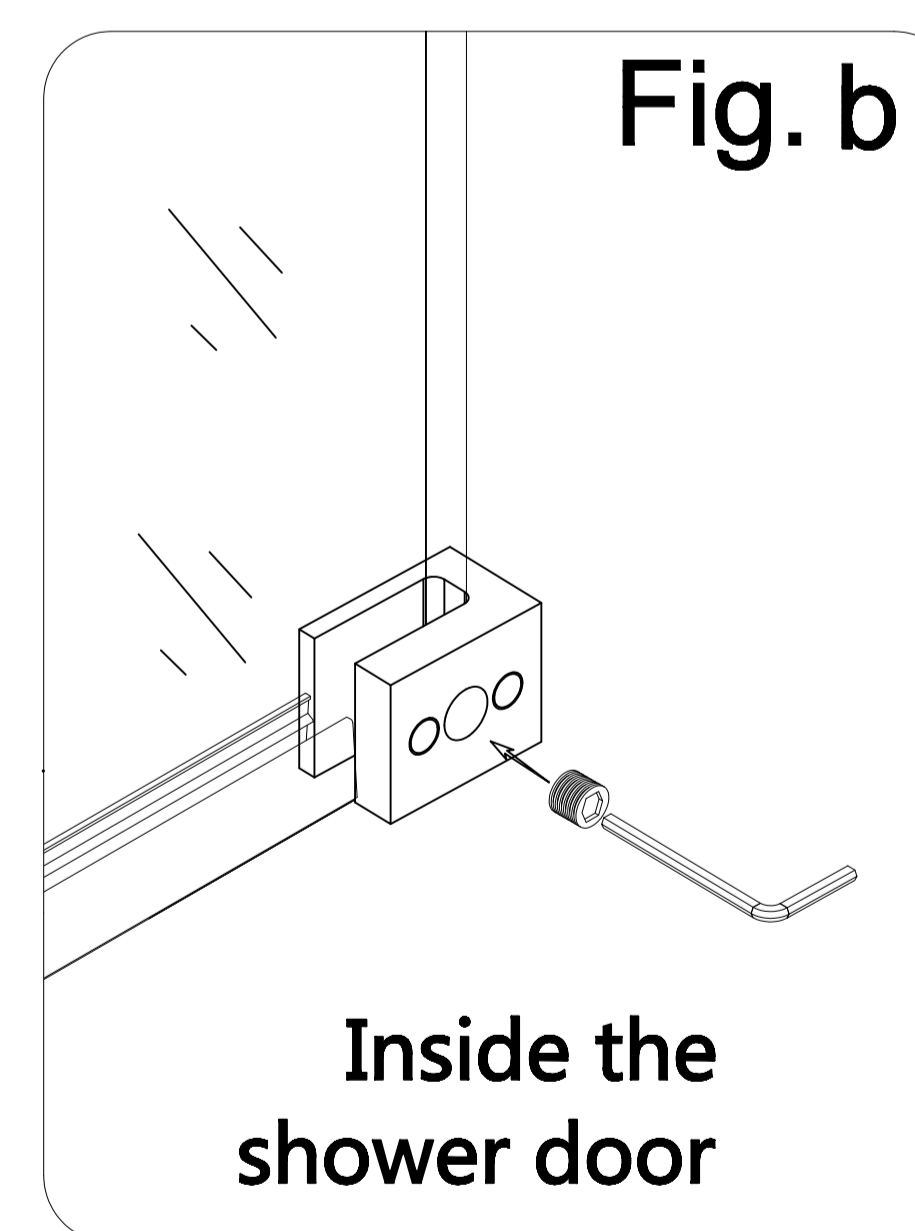
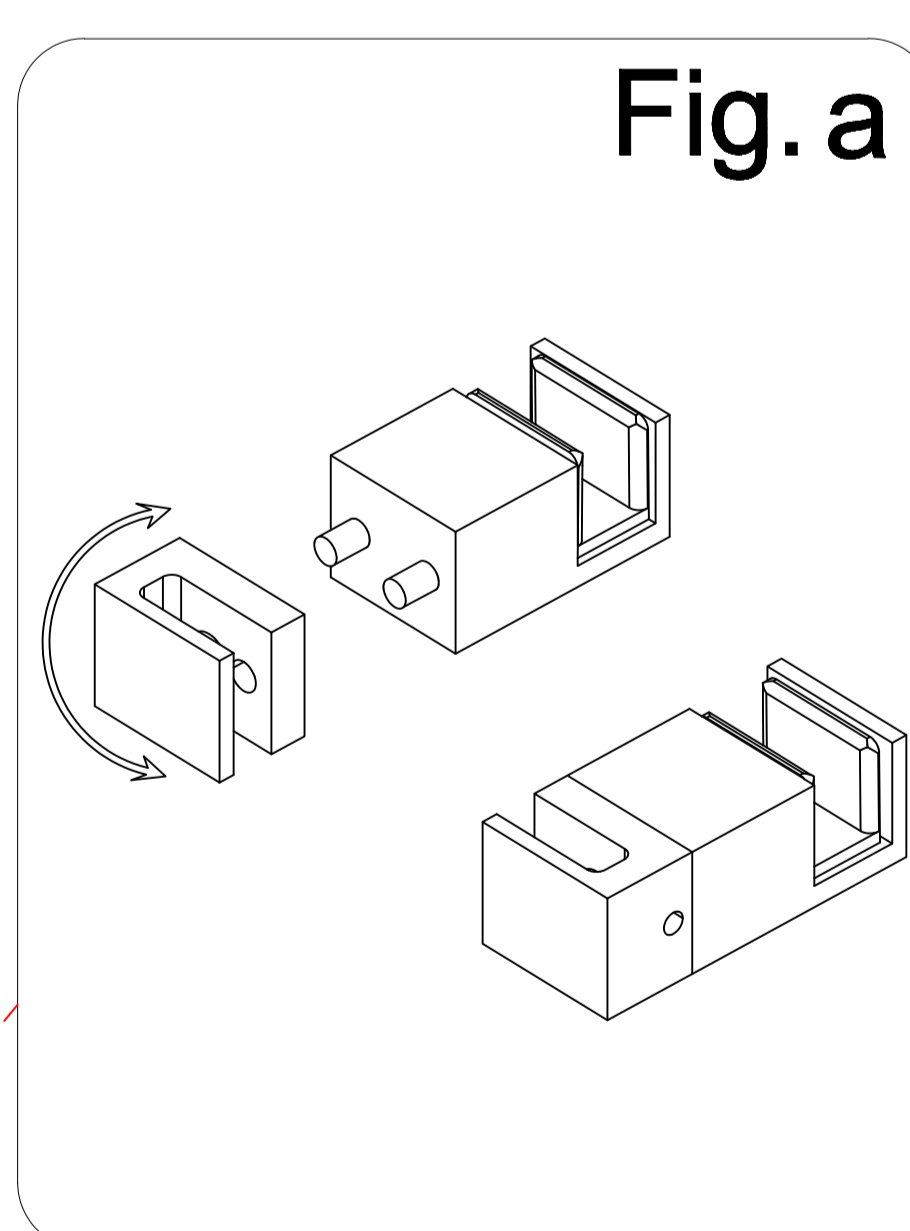
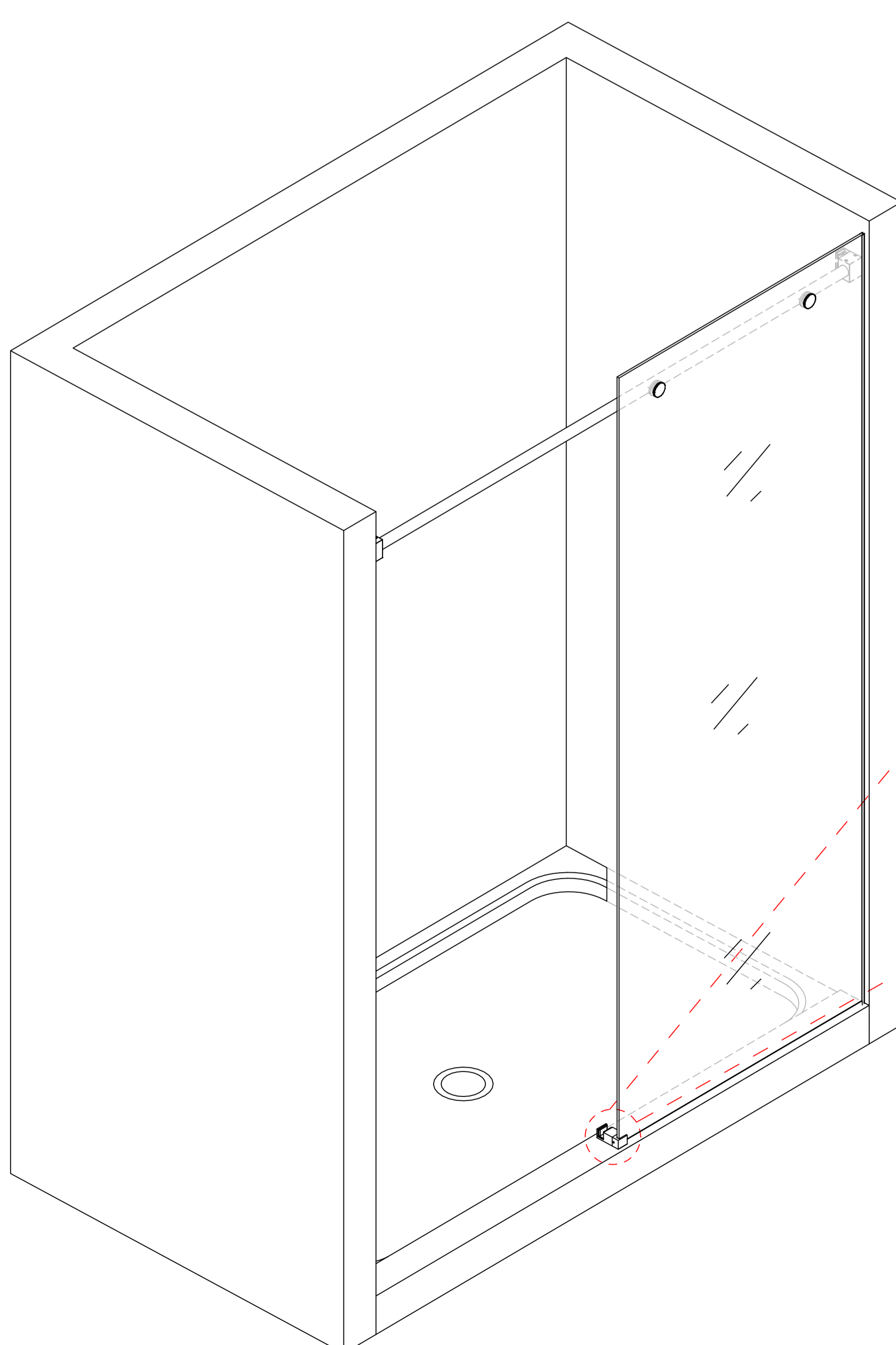
- 1.This method is applicable for environments where cannot be drilled.
- 2.As shown in Fig. a, the sliding block (16) can be rotated to adjust the direction of fixation.
- 3.As shown in Fig. b, the sliding block (16) is assembled at the junction of the fixed and the active panel, and tightened using a 4 mm hexagon bolt.
- 4.As shown in Fig. c, the locating pin of the sliding block inserted into the hole position and tightened using a 2 mm hexagon wrench.
5. As shown in Fig. d, the bottom of the sliding block coated with glass glue for fixation.

Left Hand Assembly



! Note : If the ground cannot be drilled ,please fixed it using glass glue.

Right Hand Assembly



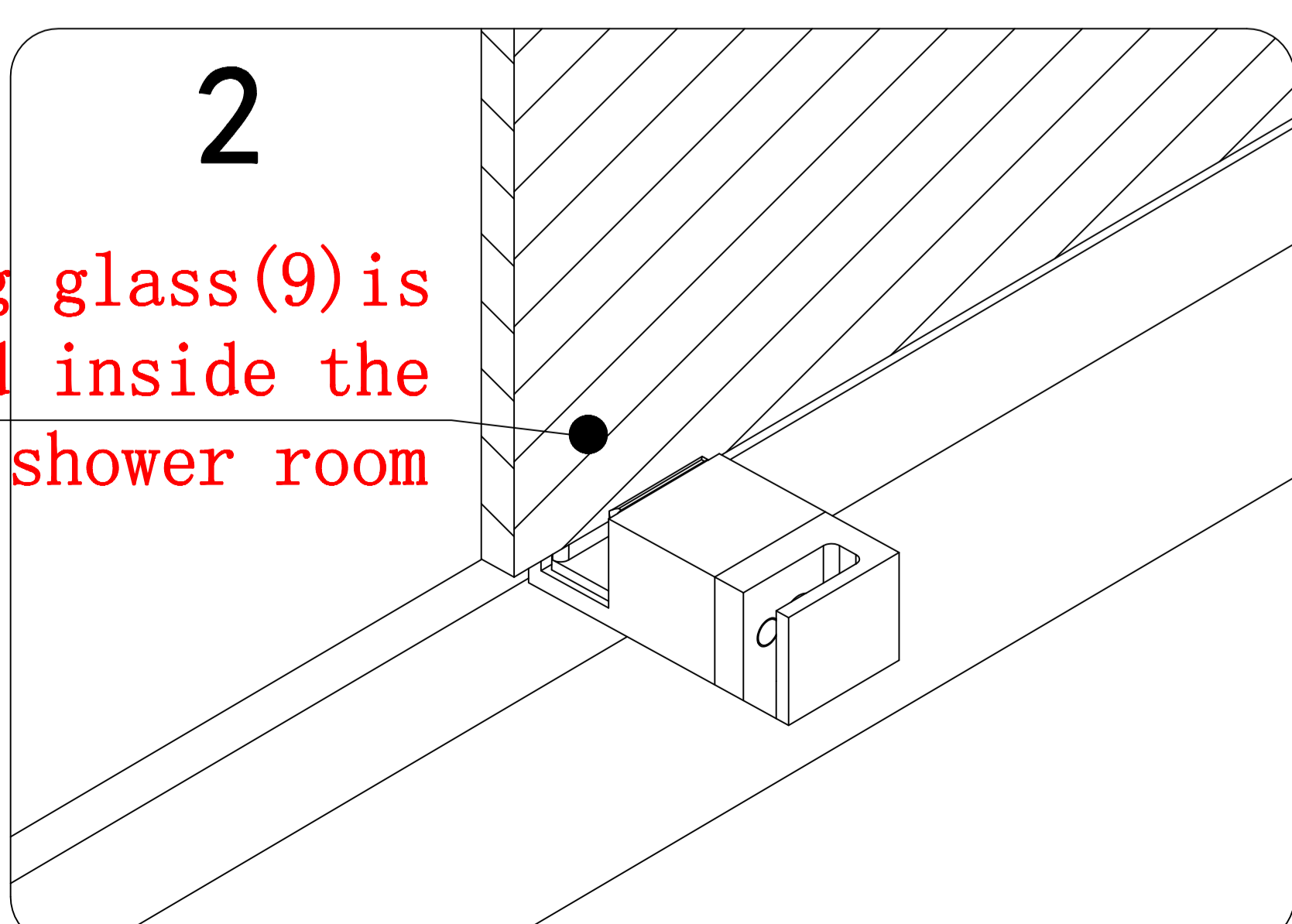
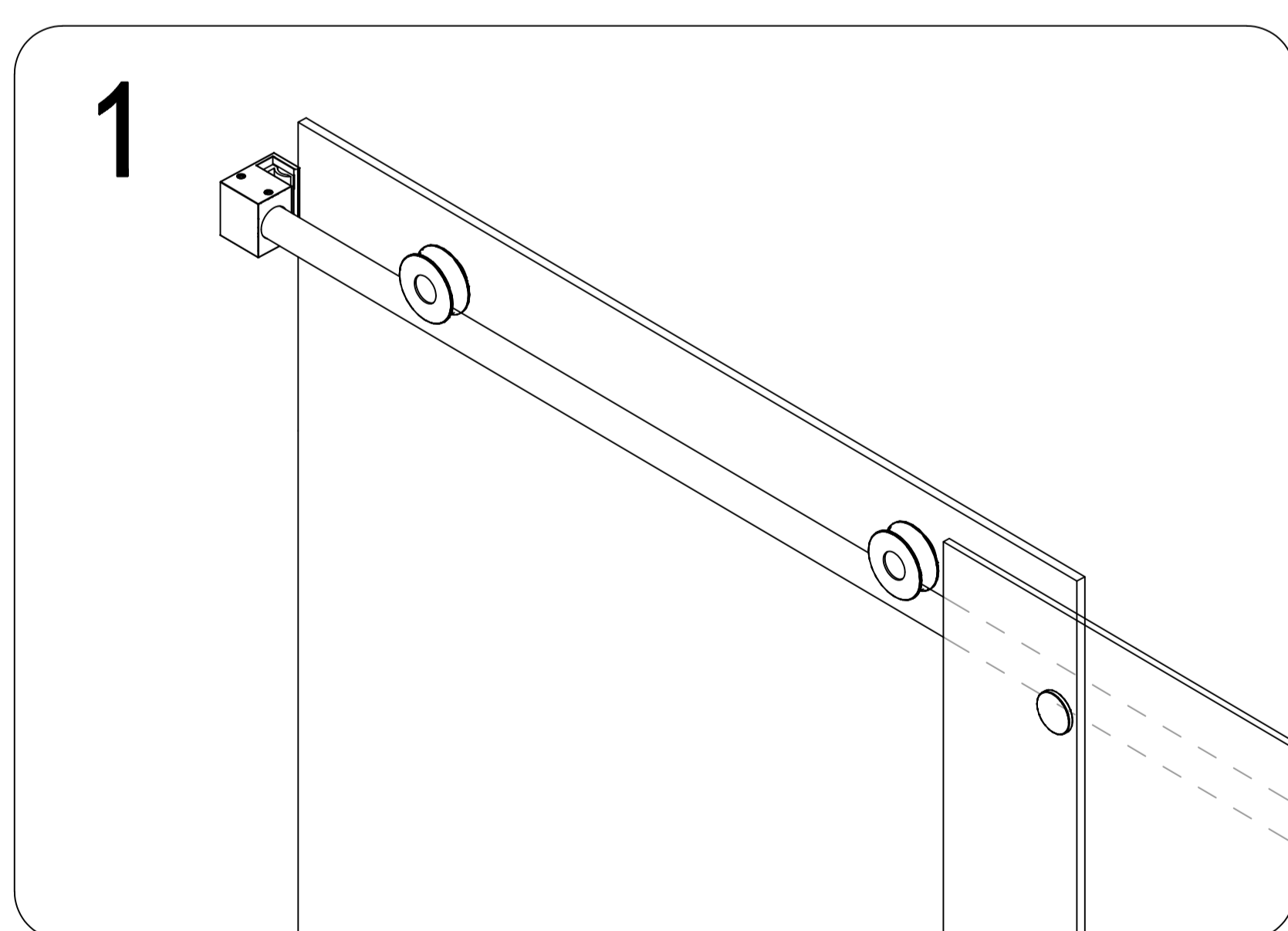
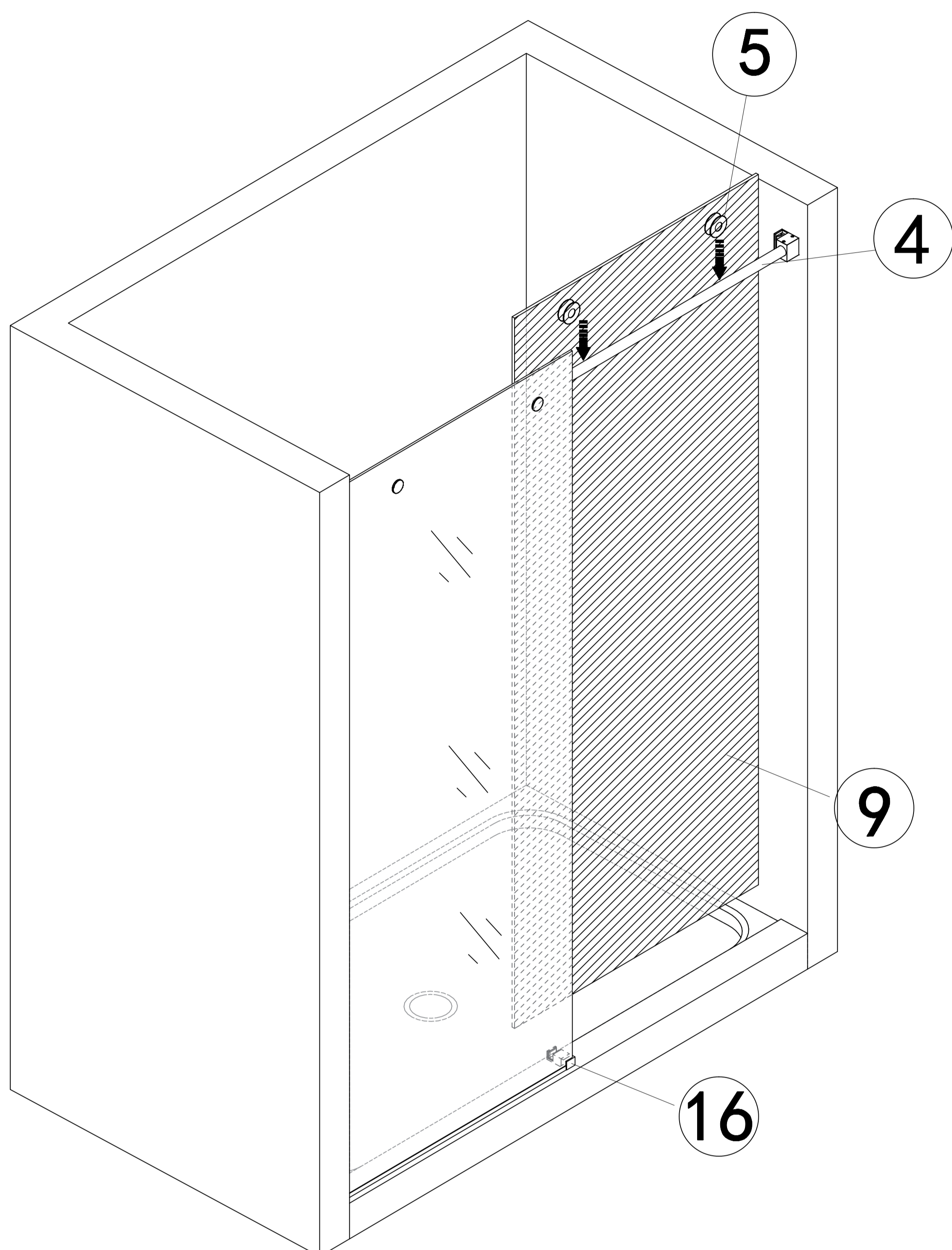
! Note : If the ground cannot be drilled ,please fixed it using glass glue.

Choose the appropriate diagram below to assemble your shower door

Left Hand Assembly

STEP 9

1. Hang the sliding panel on the top rail.
2. Make sure the bottom of the sliding panel loaded into the sliding block (16).

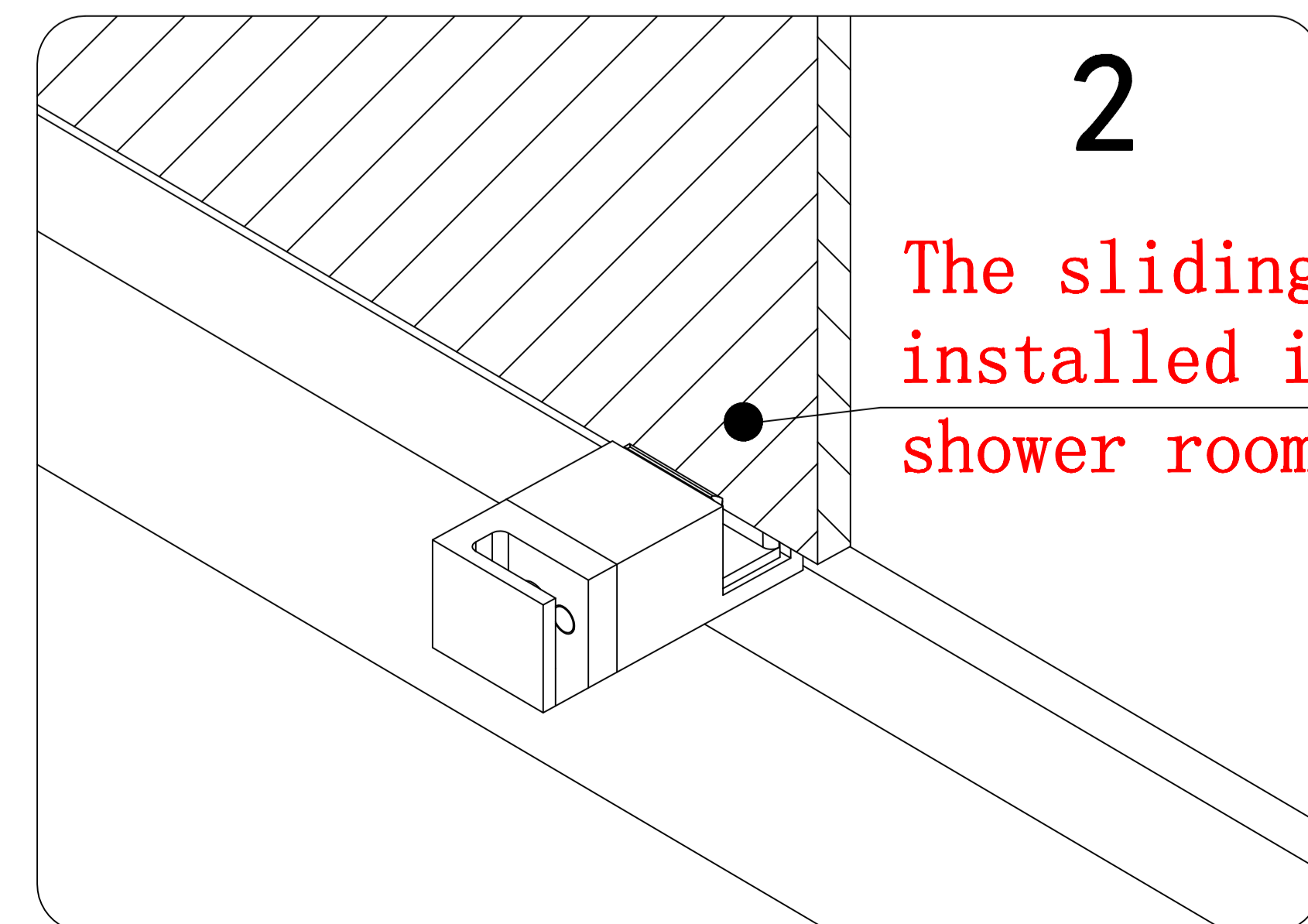
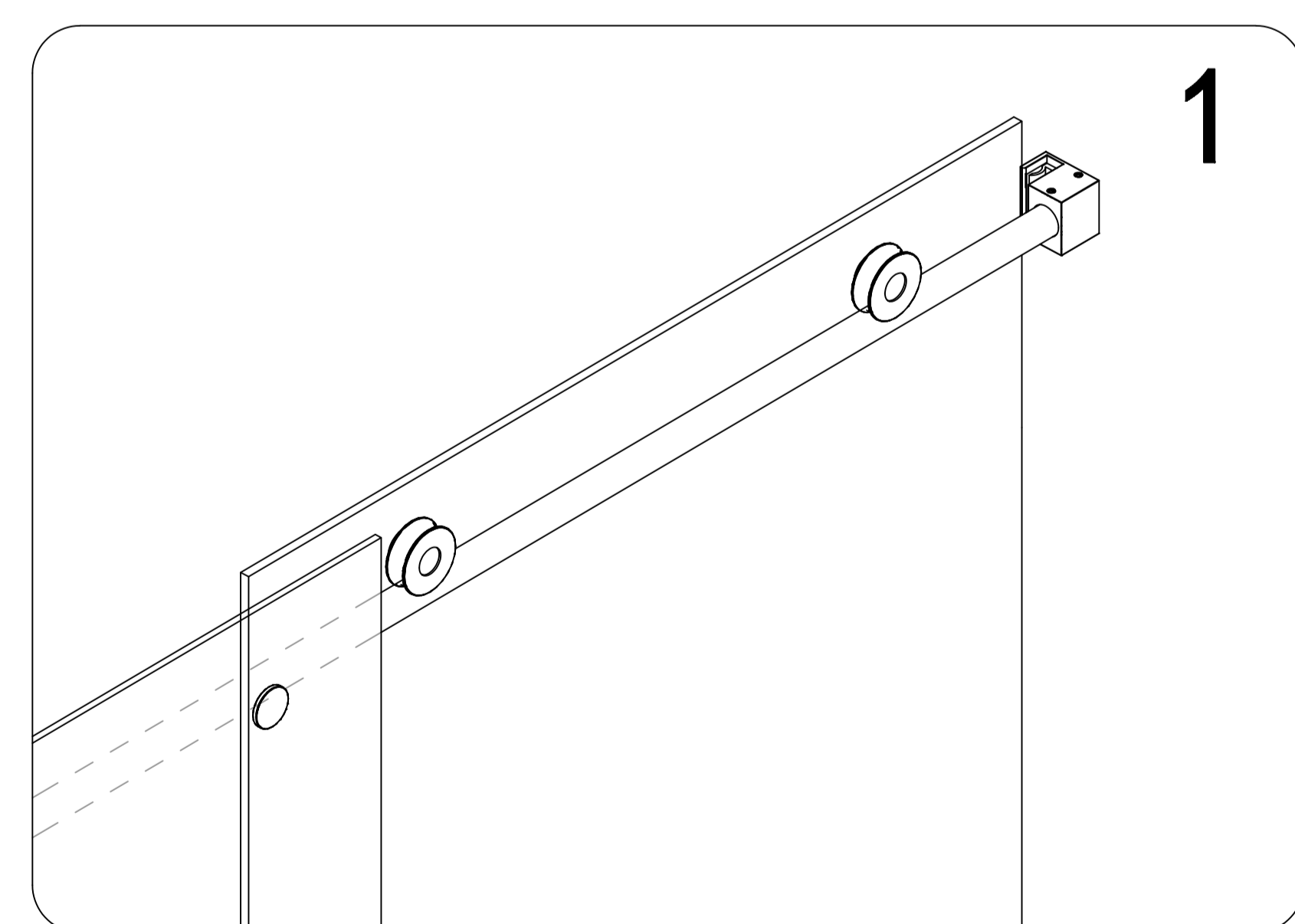
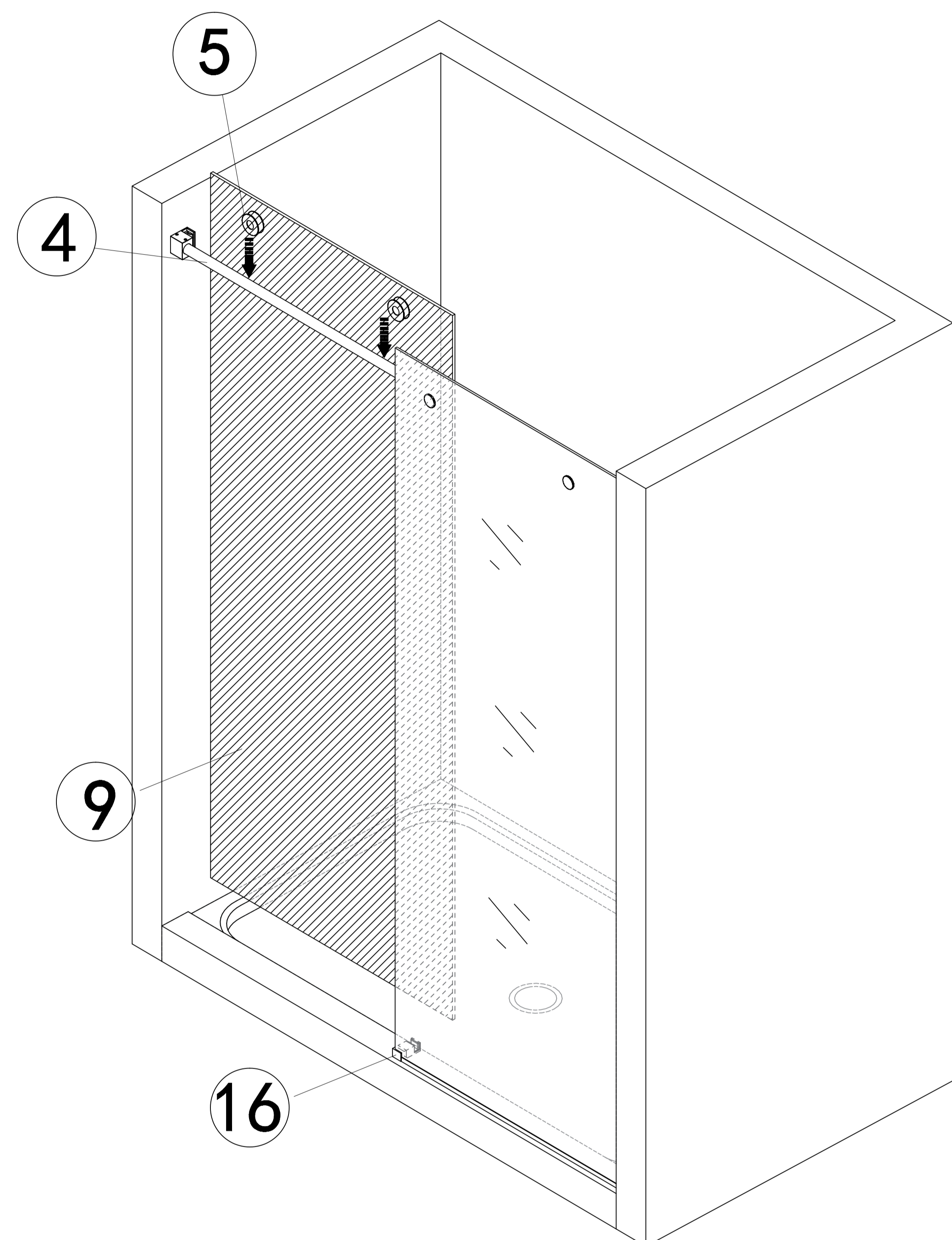


The sliding glass (9) is installed inside the shower room

Right Hand Assembly

STEP 9

1. Hang the sliding panel on the top rail.
2. Make sure the bottom of the sliding panel loaded into the sliding block (16).



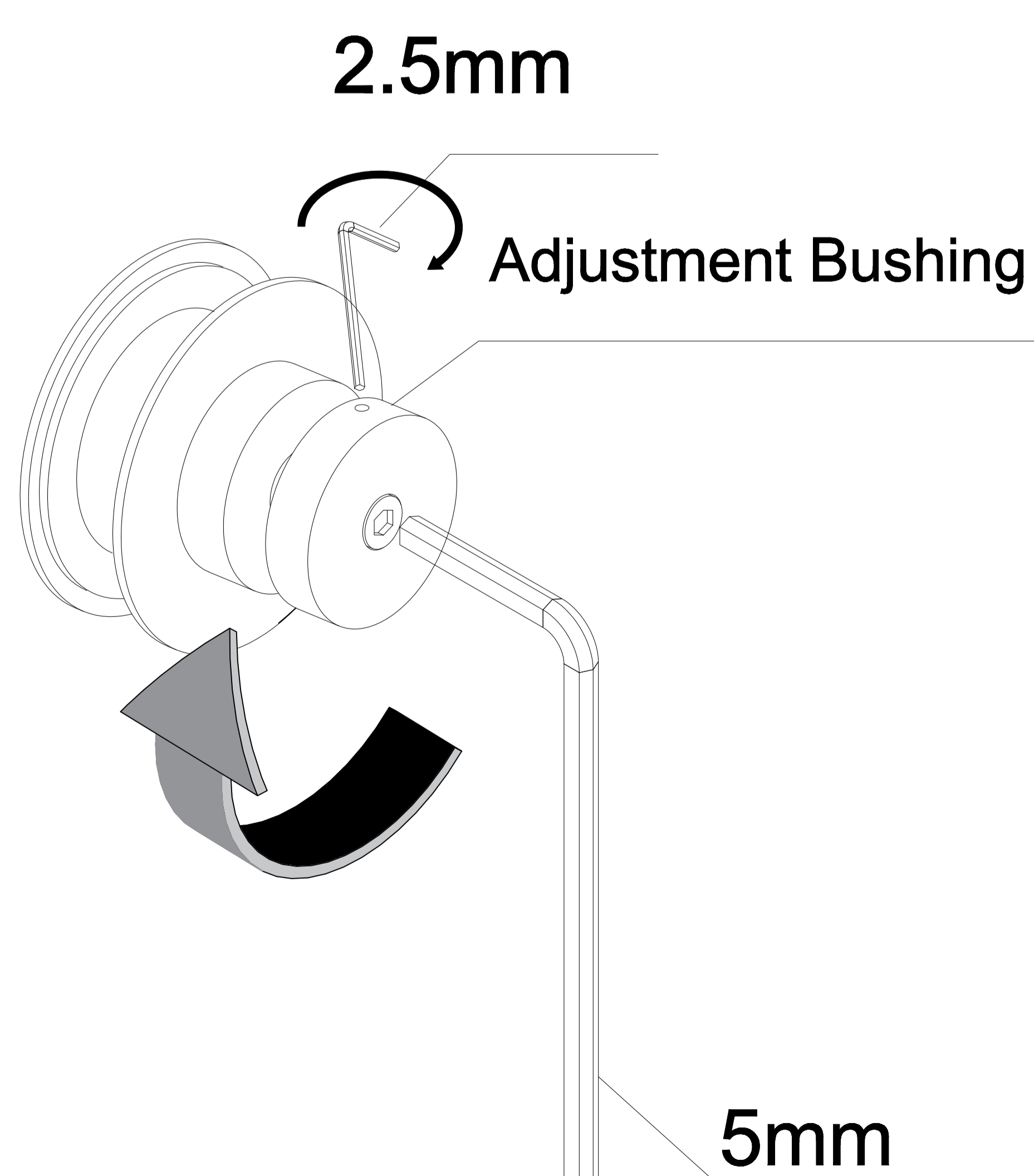
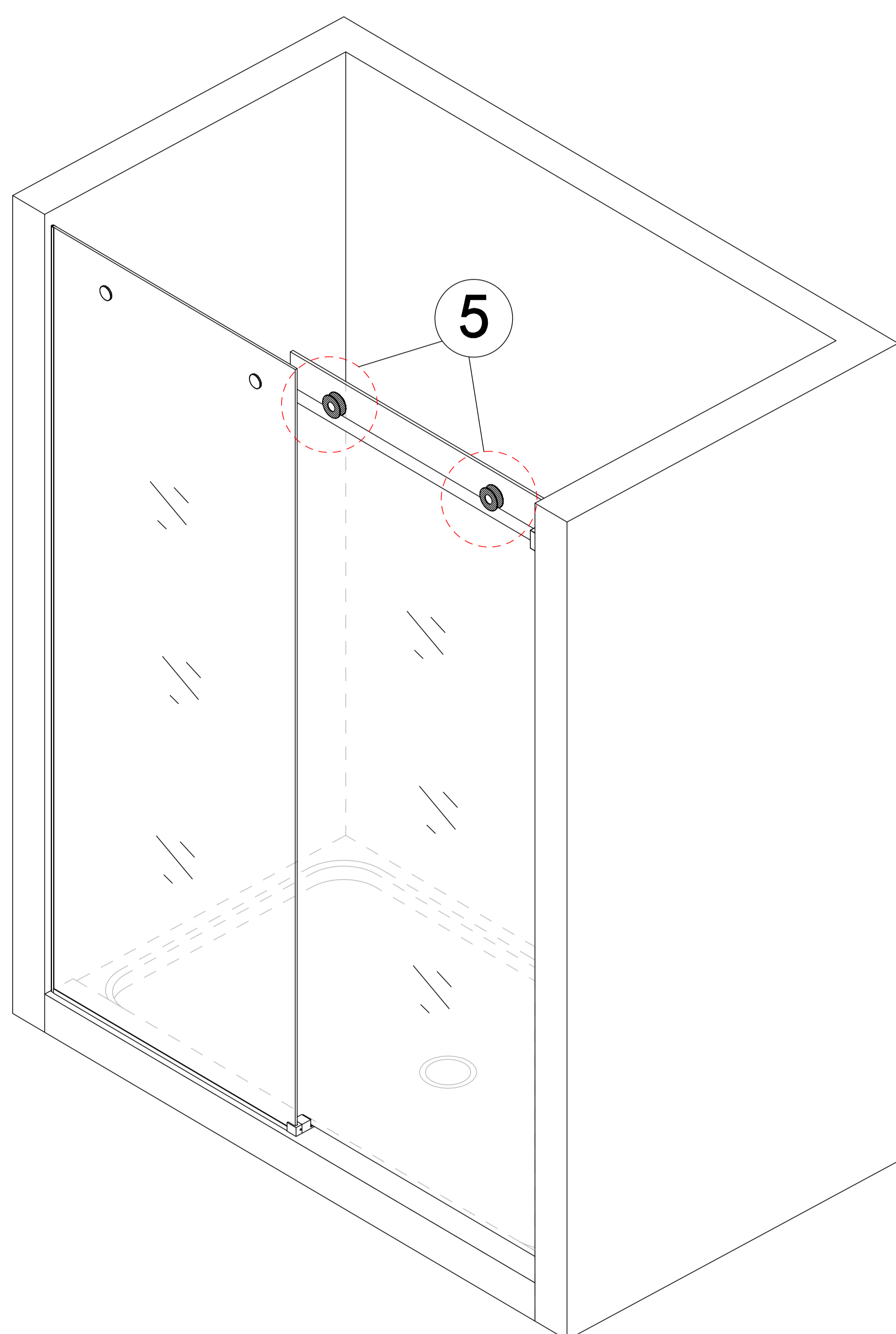
The sliding glass (9) is installed inside the shower room

Choose the appropriate diagram below to assemble your shower door

Left Hand Assembly

STEP 10

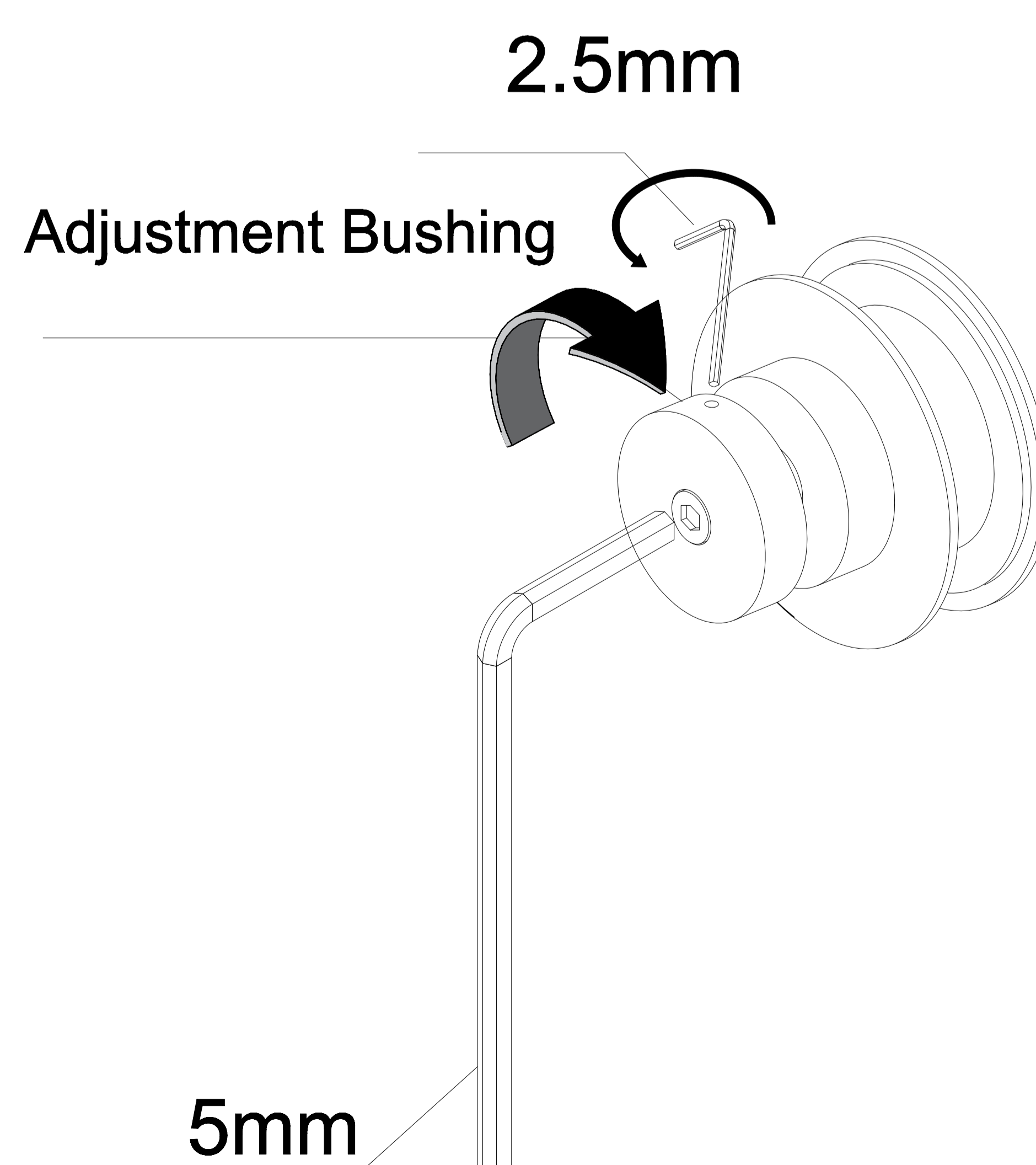
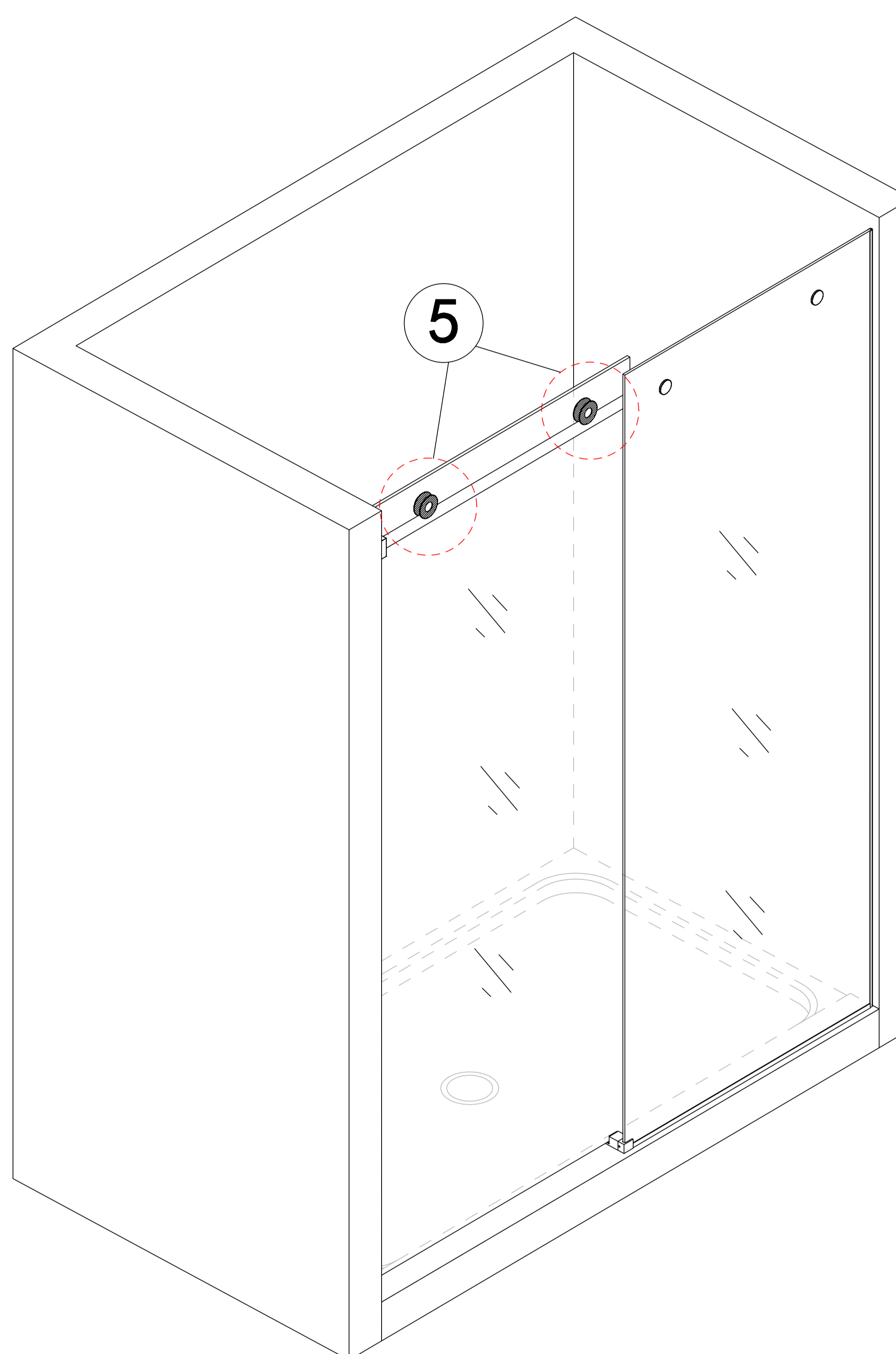
1. Use 2.5mm Allen wrench to rotate the eccentric shaft of the roller, adjust the height of the sliding panel.
2. Use 5mm Allen wrench to tight the roller.



Right Hand Assembly

STEP 10

1. Use 2.5mm Allen wrench to rotate the eccentric shaft of the roller, adjust the height of the sliding panel.
2. Use 5mm Allen wrench to tight the roller.

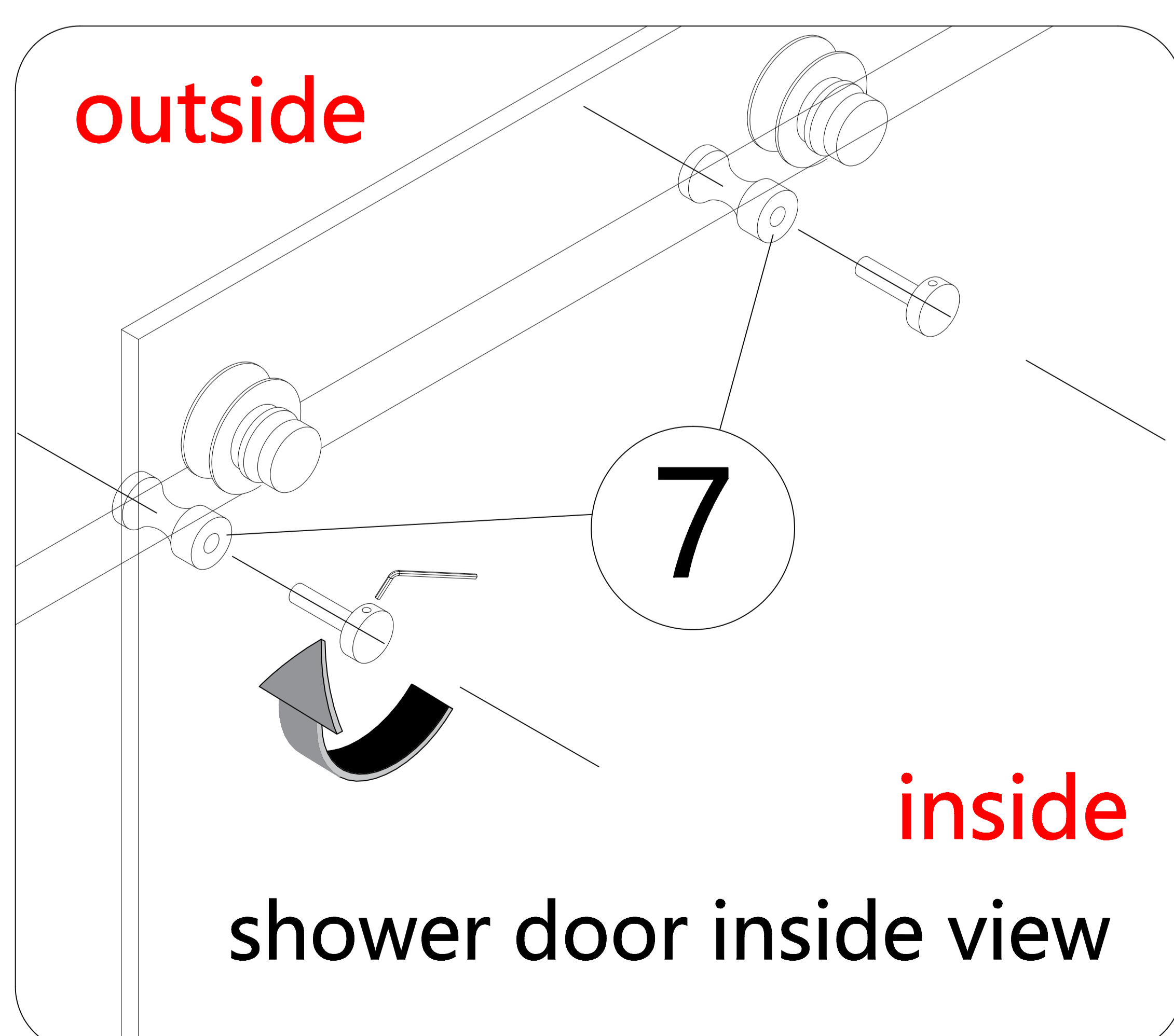
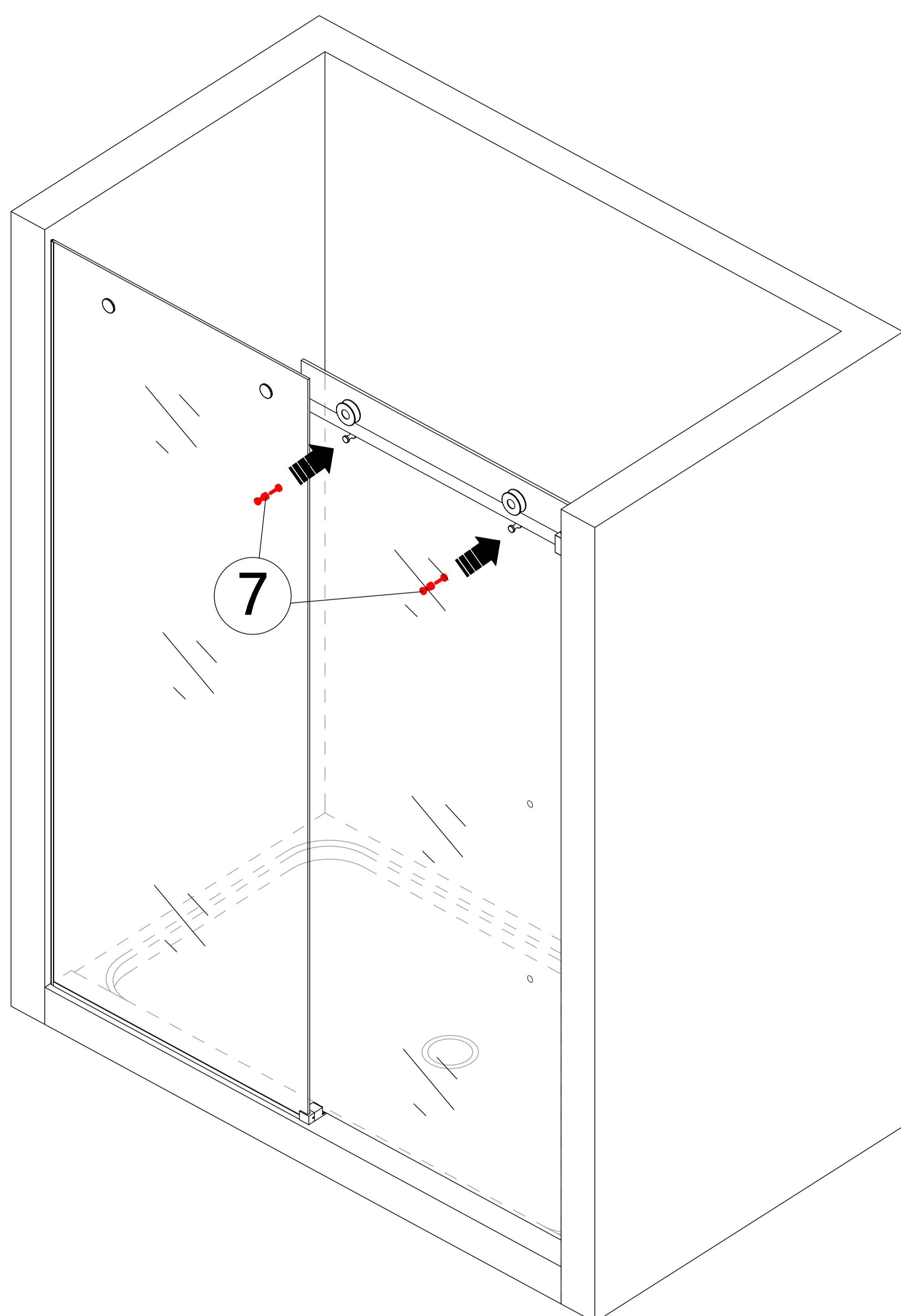


Choose the appropriate diagram below to assemble your shower door

Left Hand Assembly

STEP 11

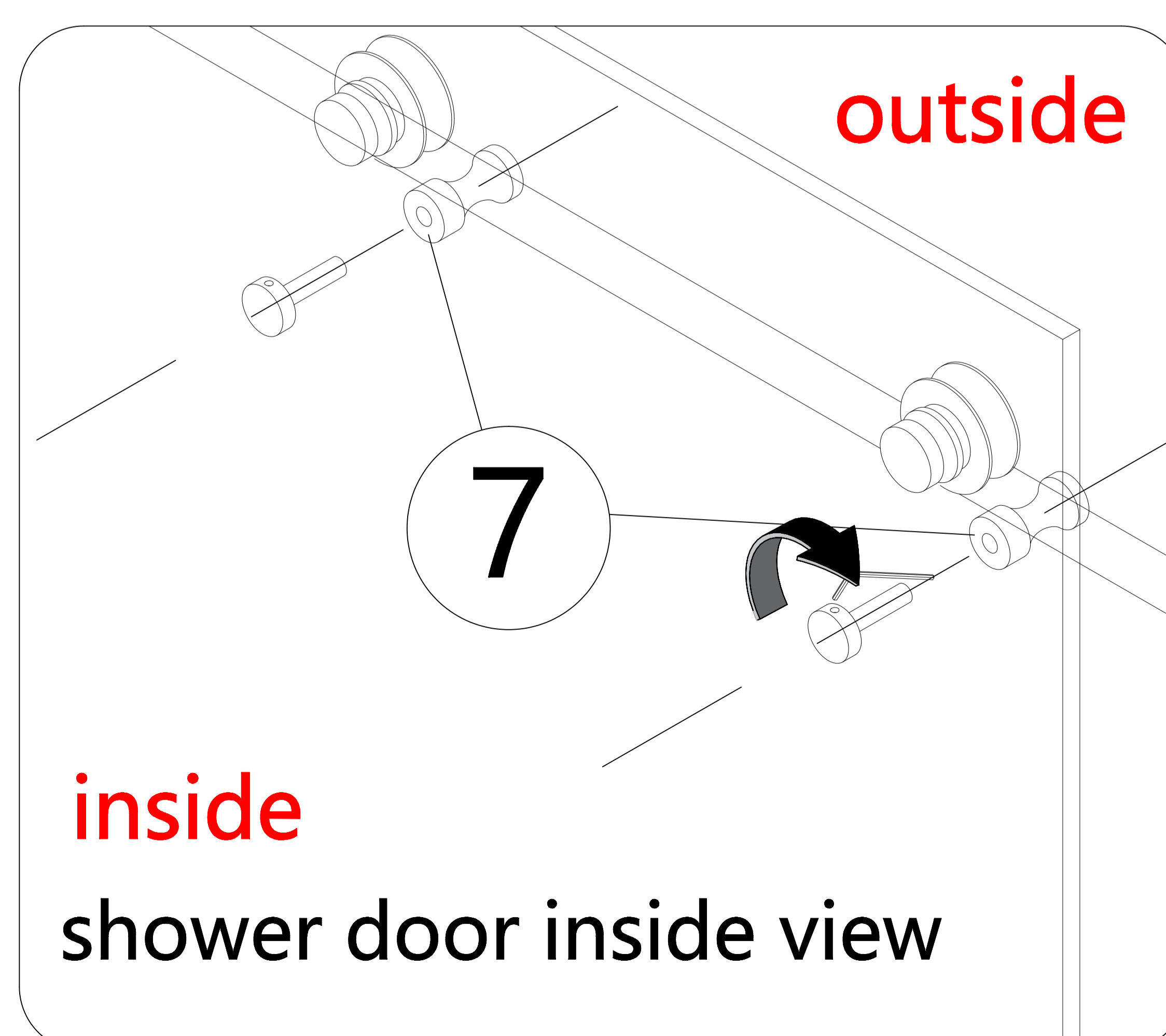
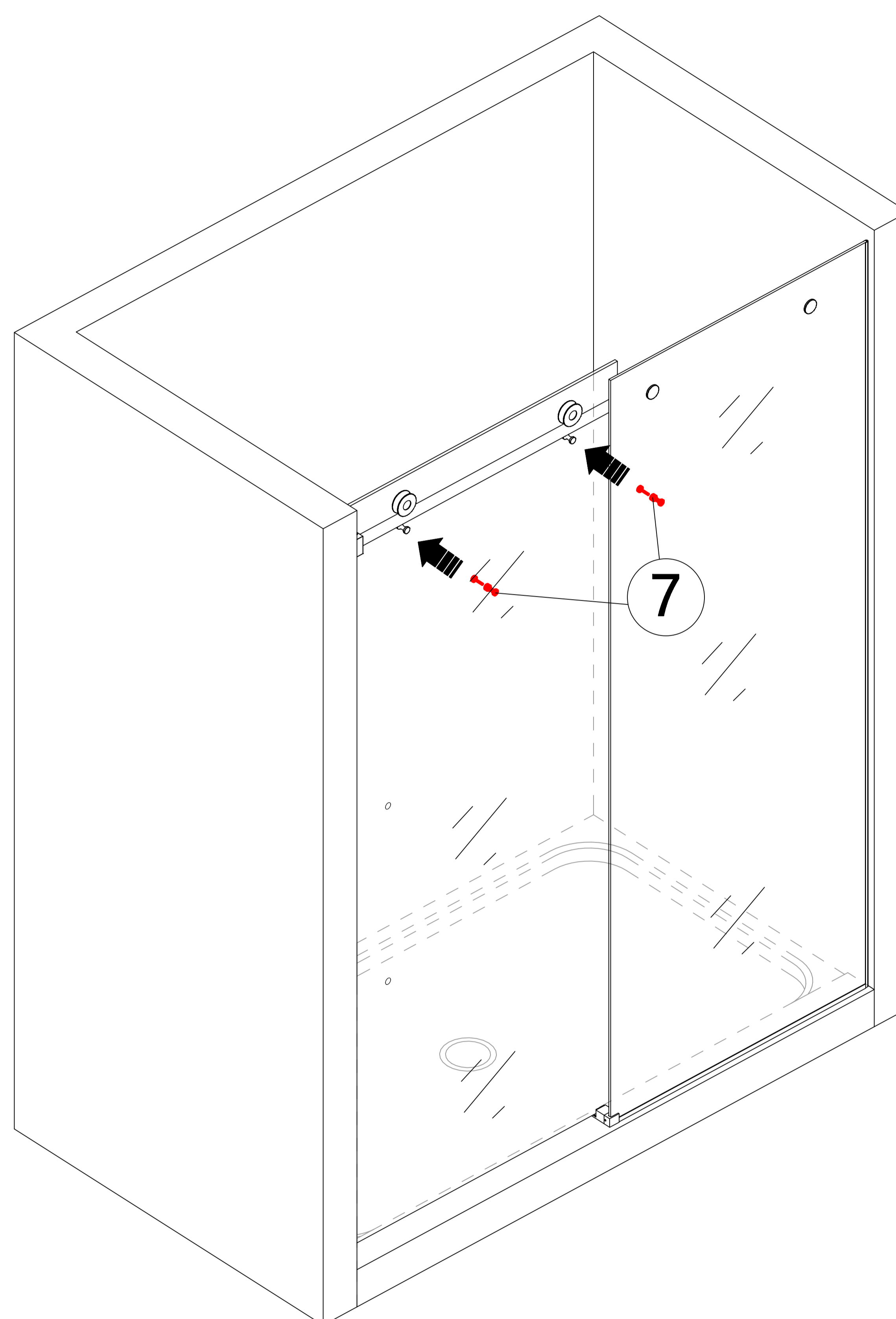
1. Install the Anti jump restraints (7) outside the sliding panel.
2. Use 2.5mm Allen wrench to tight inside.



Right Hand Assembly

STEP 11

1. Install the Anti jump restraints (7) outside the sliding panel.
2. Use 2.5mm Allen wrench to tight inside.

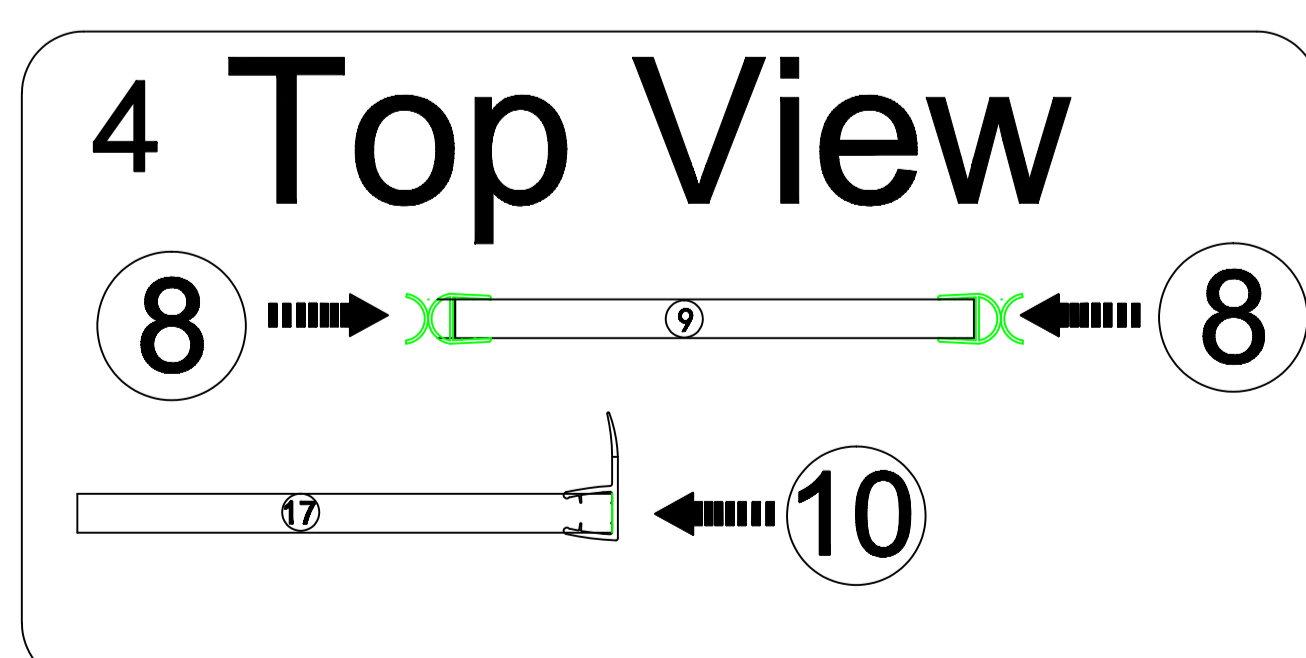
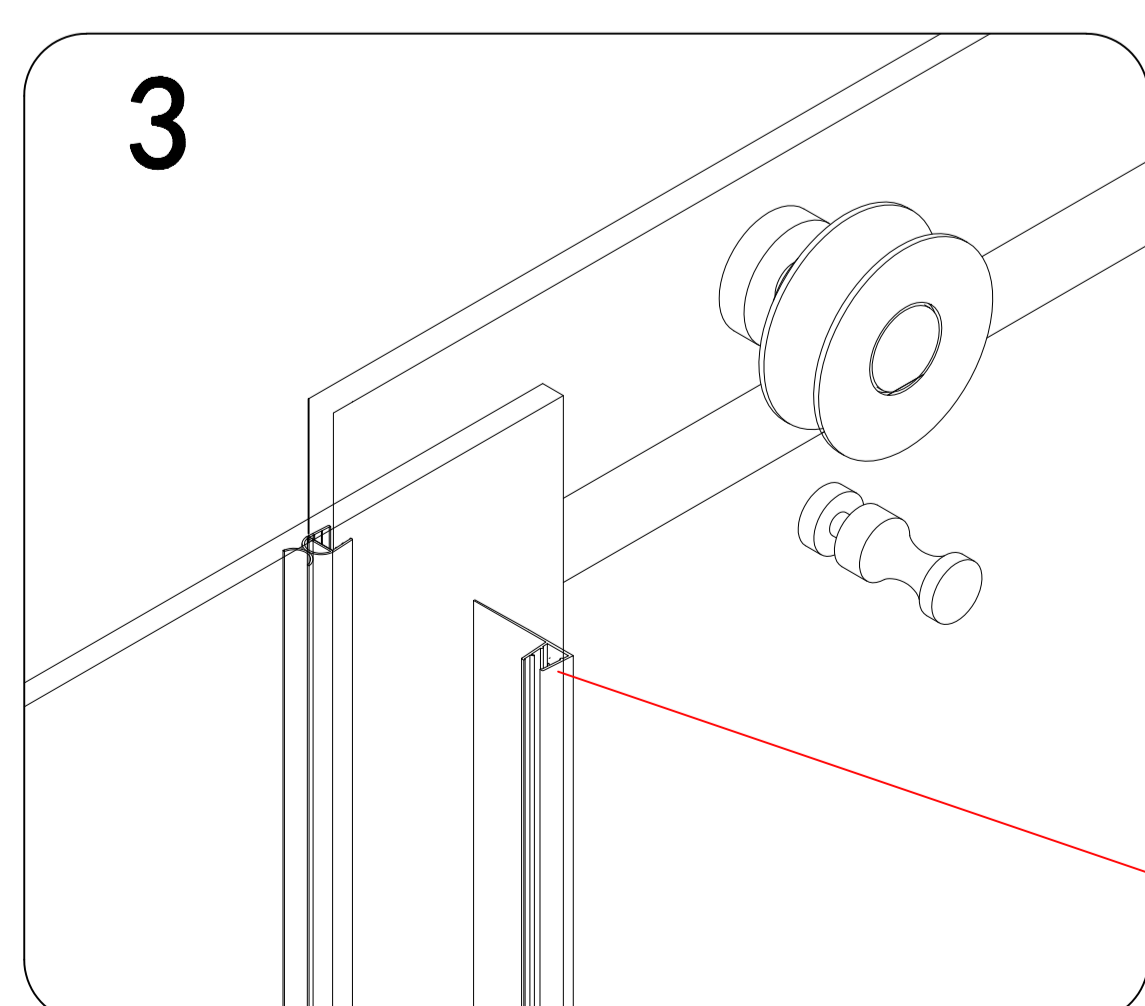
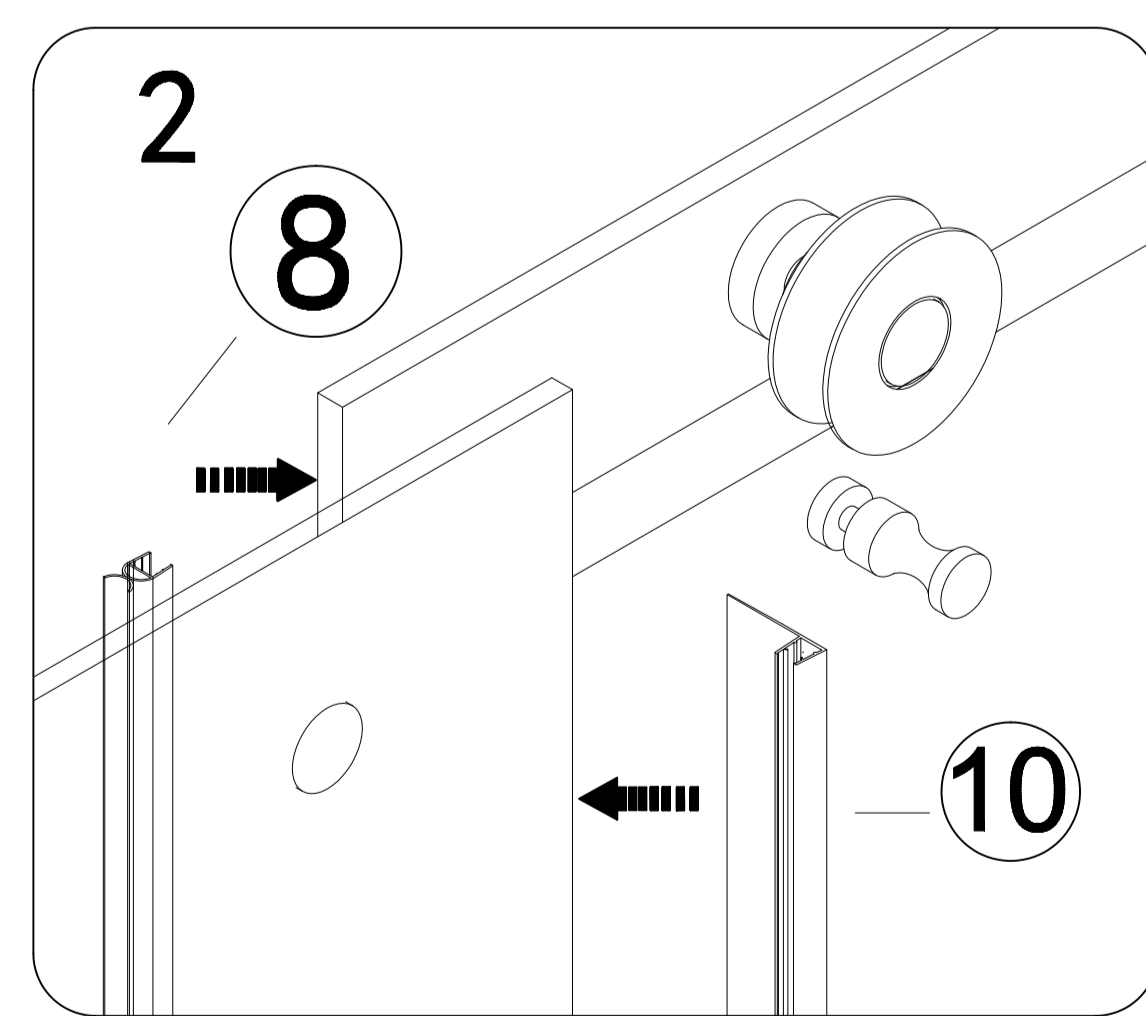
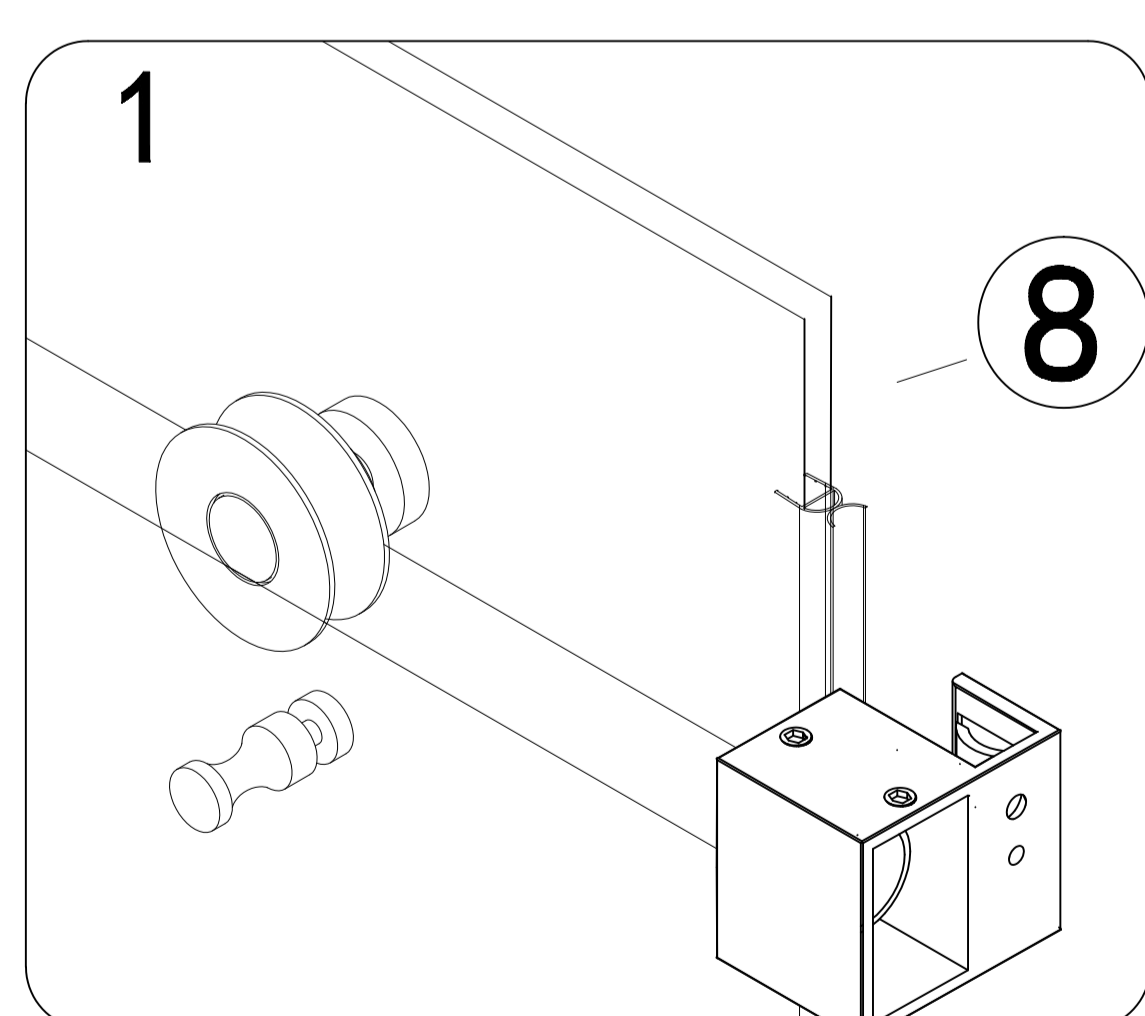
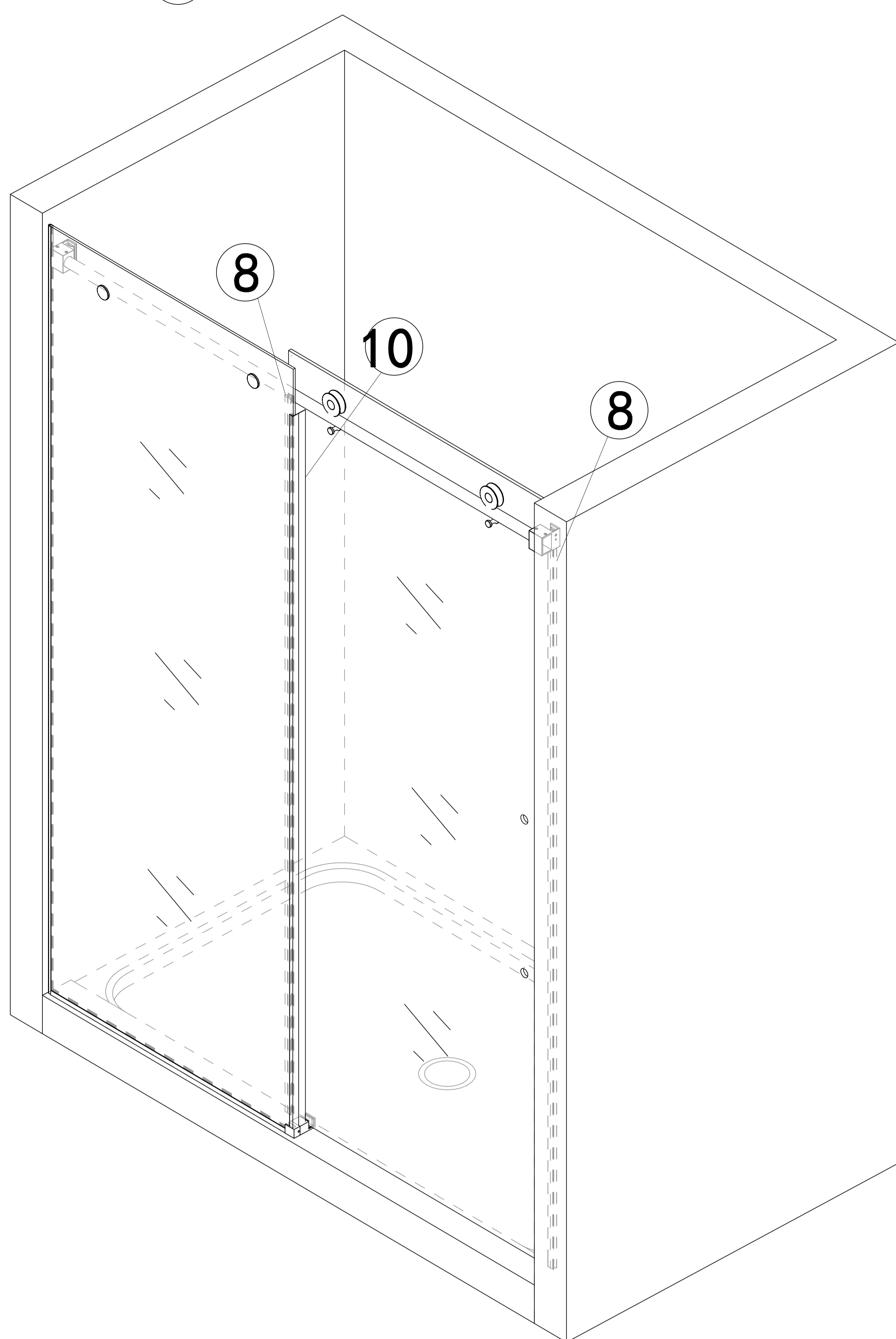


Choose the appropriate diagram below to assemble your shower door

Left Hand Assembly

STEP 12

Install the Bumper Strip (8) and Water-Retaining Gasket (10).

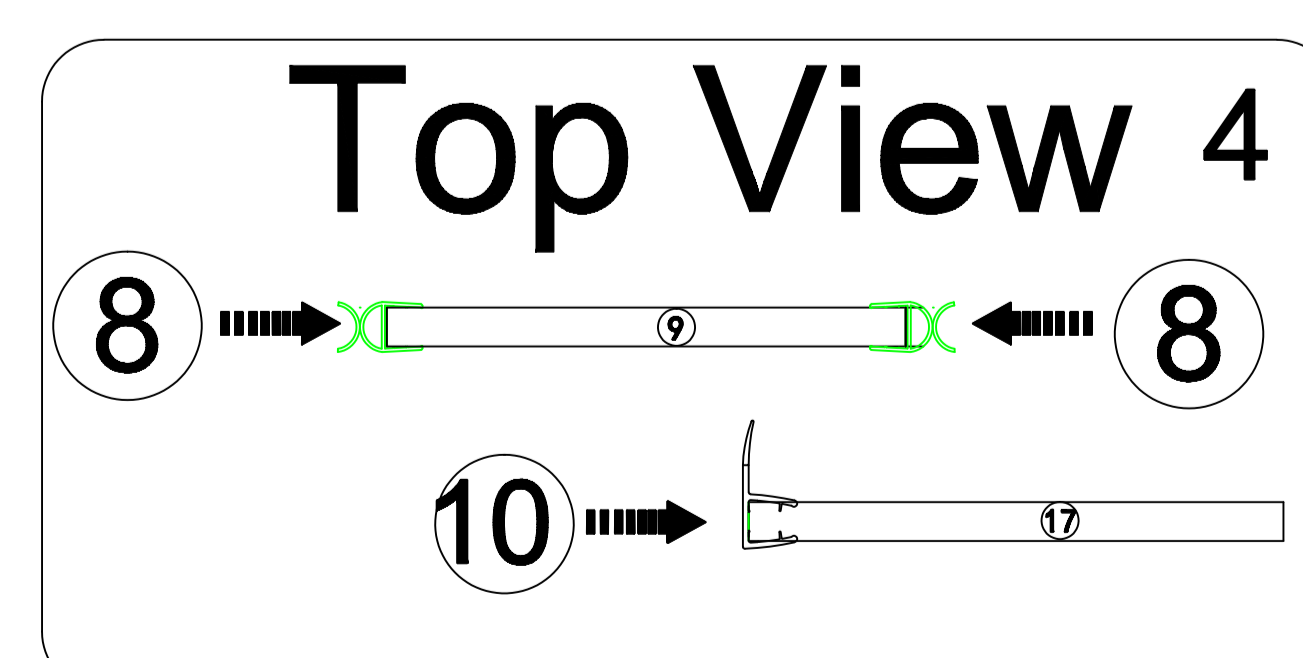
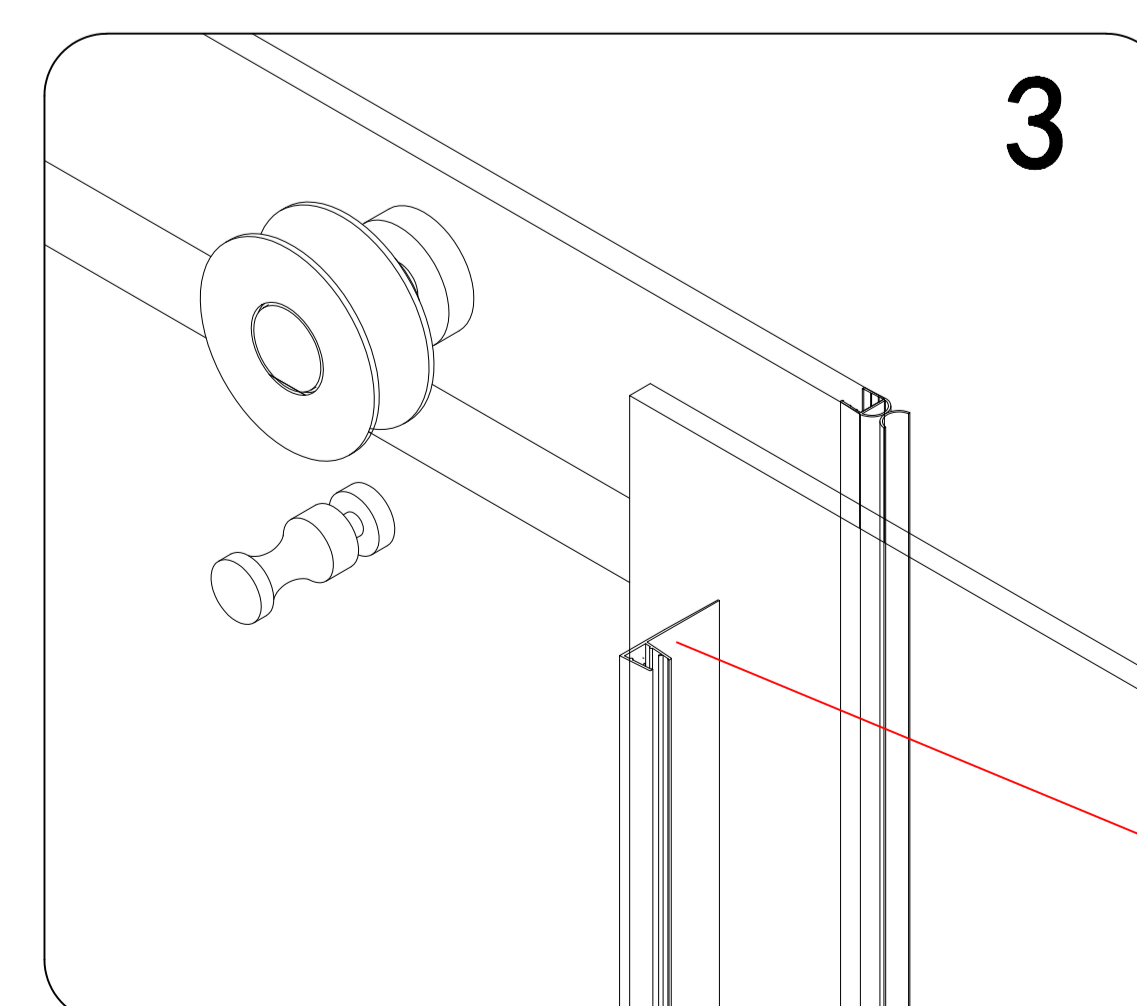
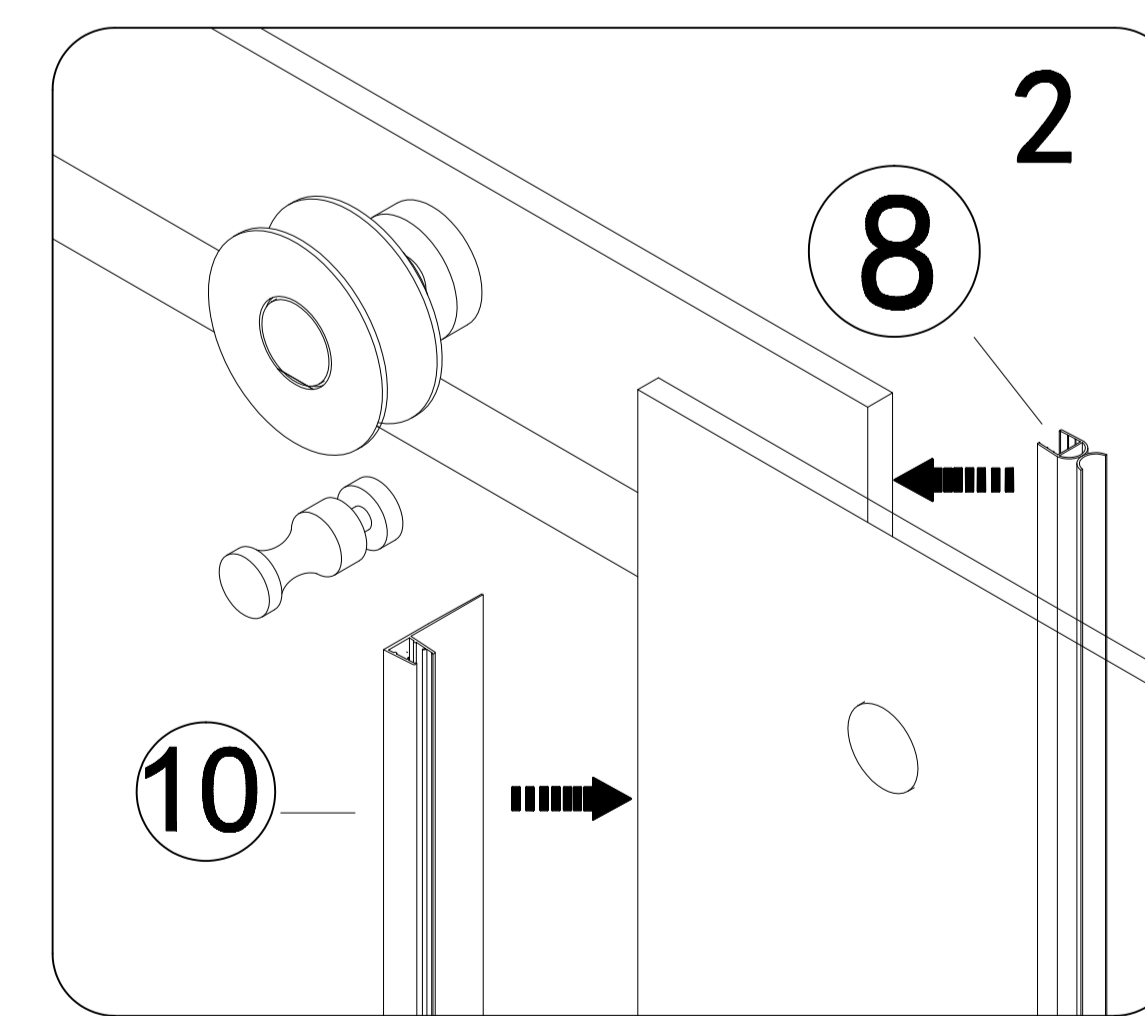
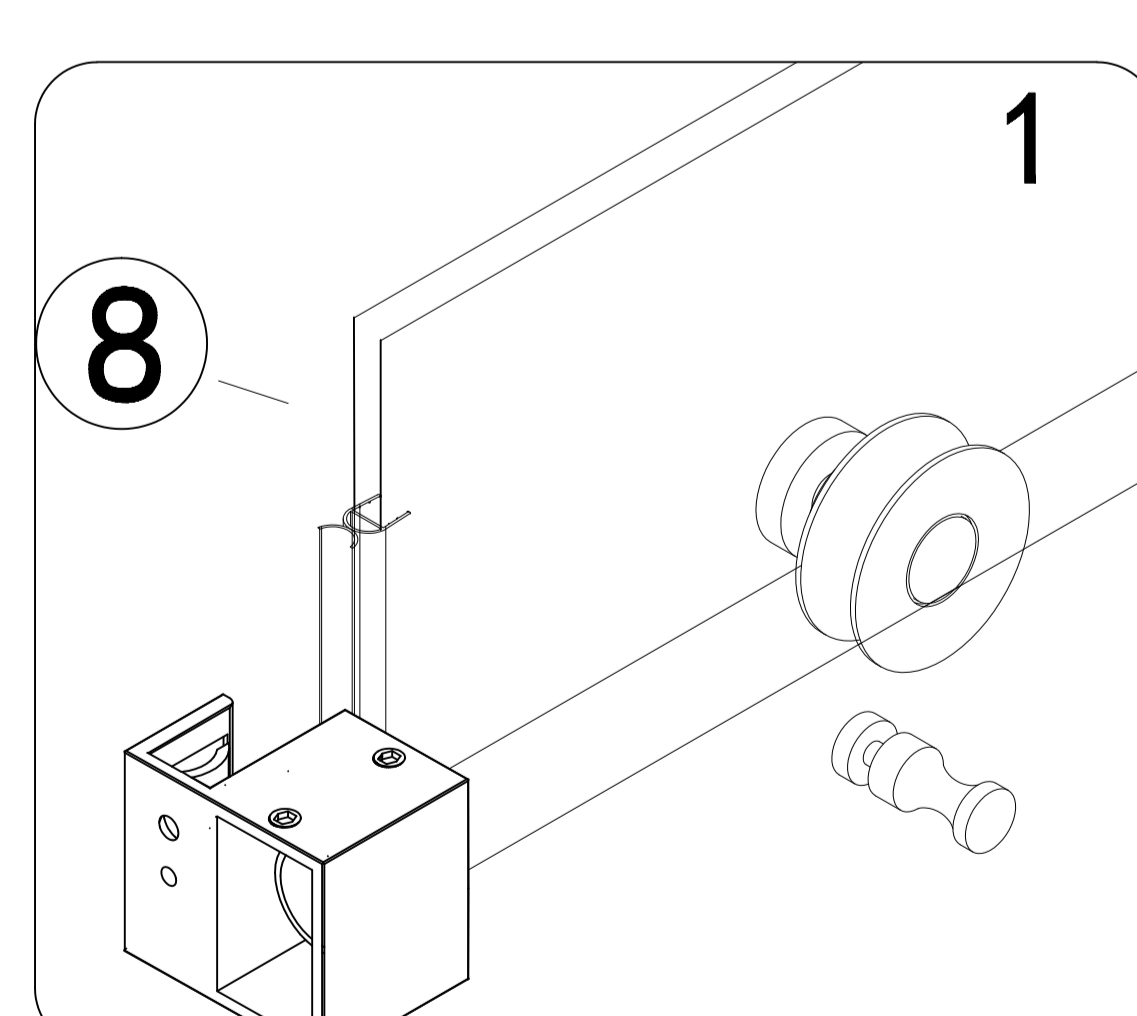
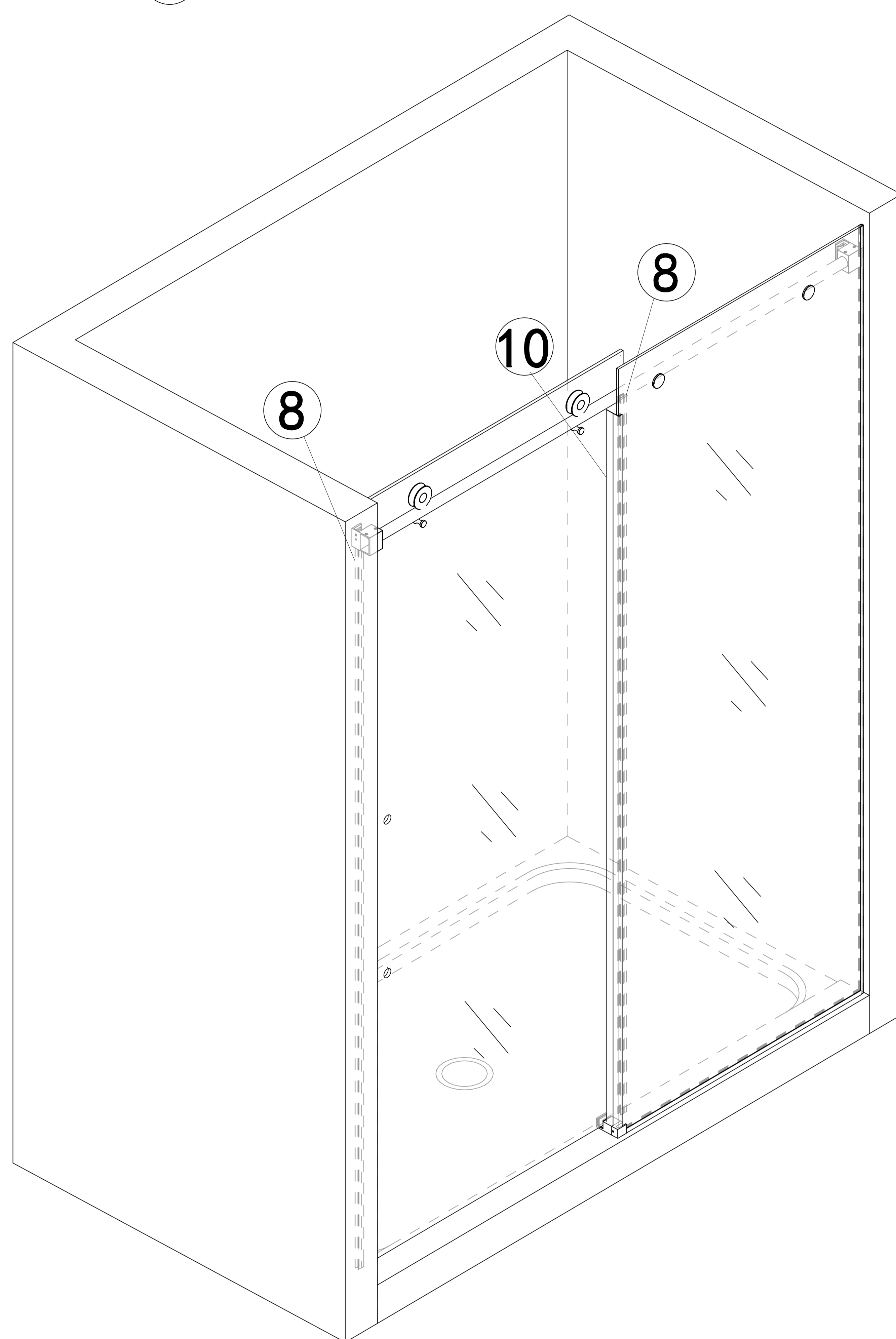


After installing the shower door, cut the waterproof strip under the track

Right Hand Assembly

STEP 12

Install the Bumper Strip (8) and Water-Retaining Gasket (10).



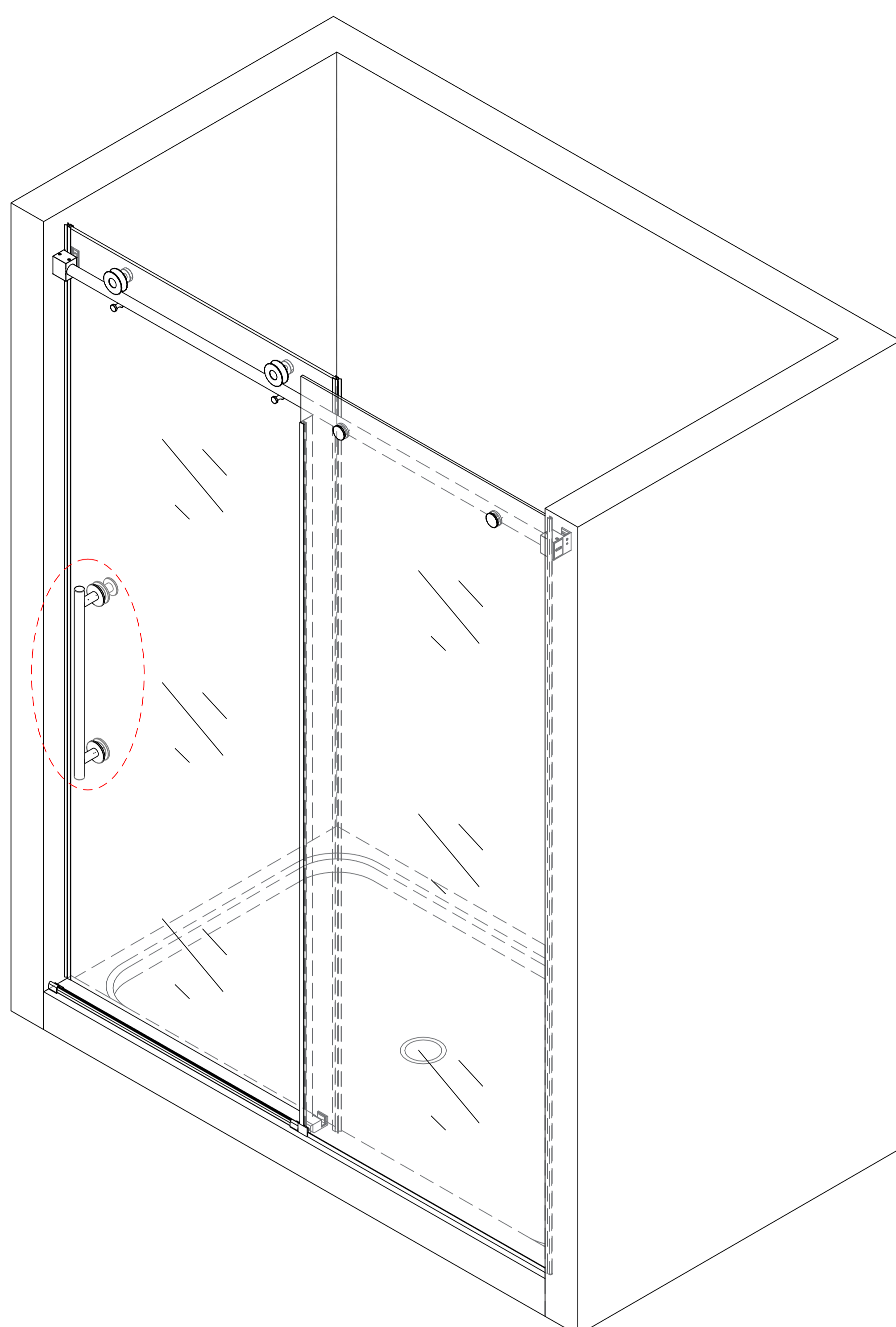
After installing the shower door, cut the waterproof strip under the track

Choose the appropriate diagram below to assemble your shower door

Left Hand Assembly

STEP 13

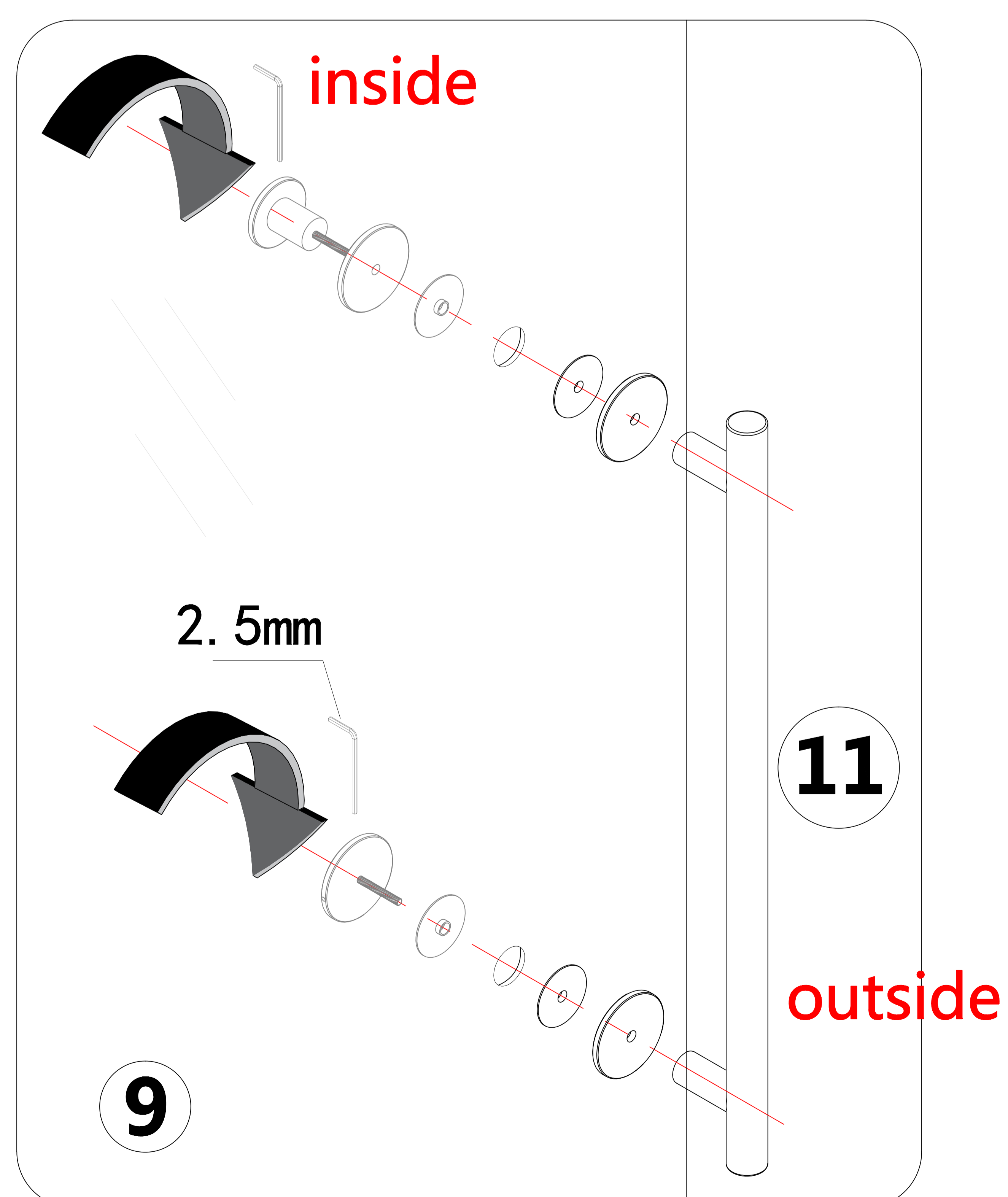
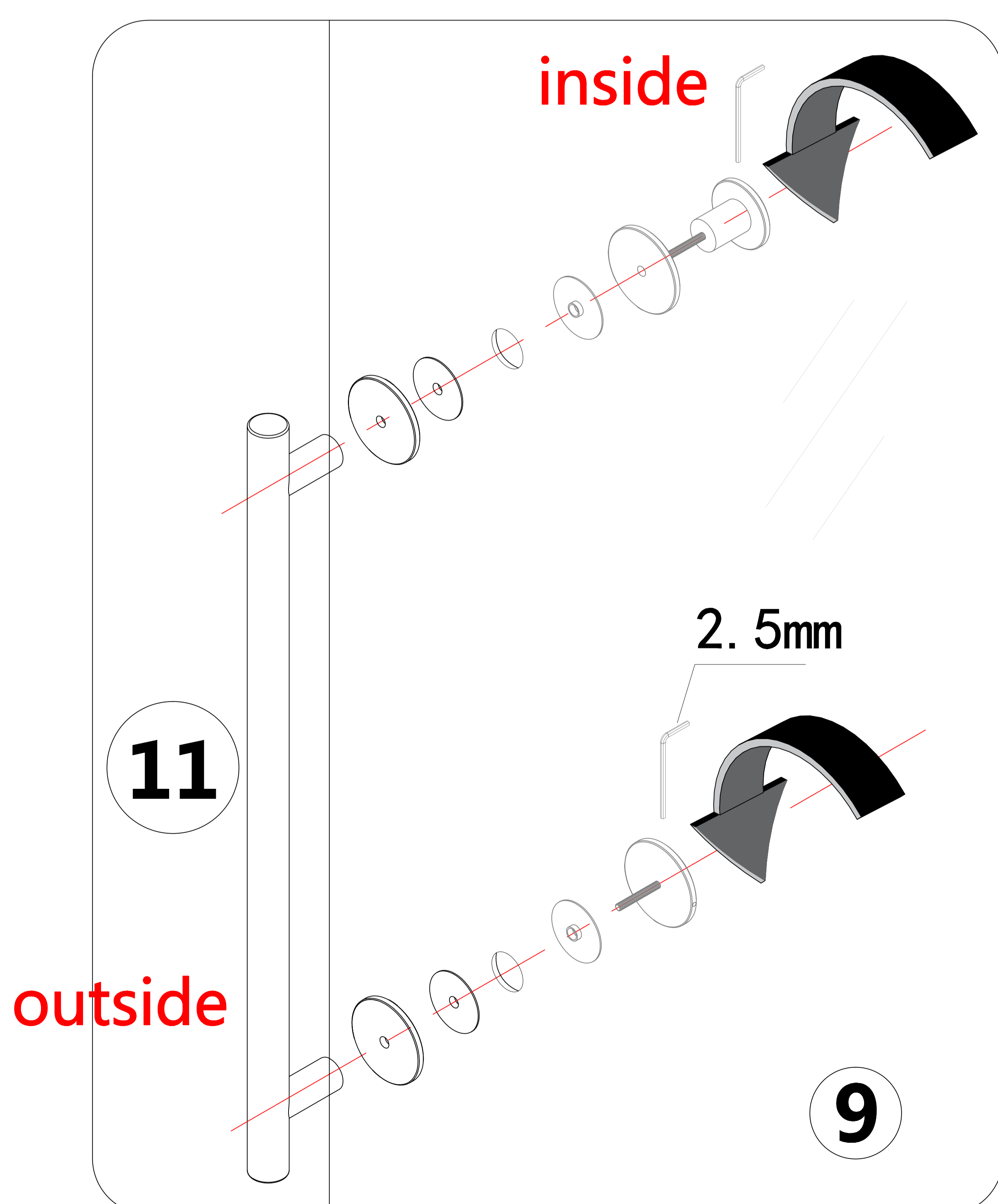
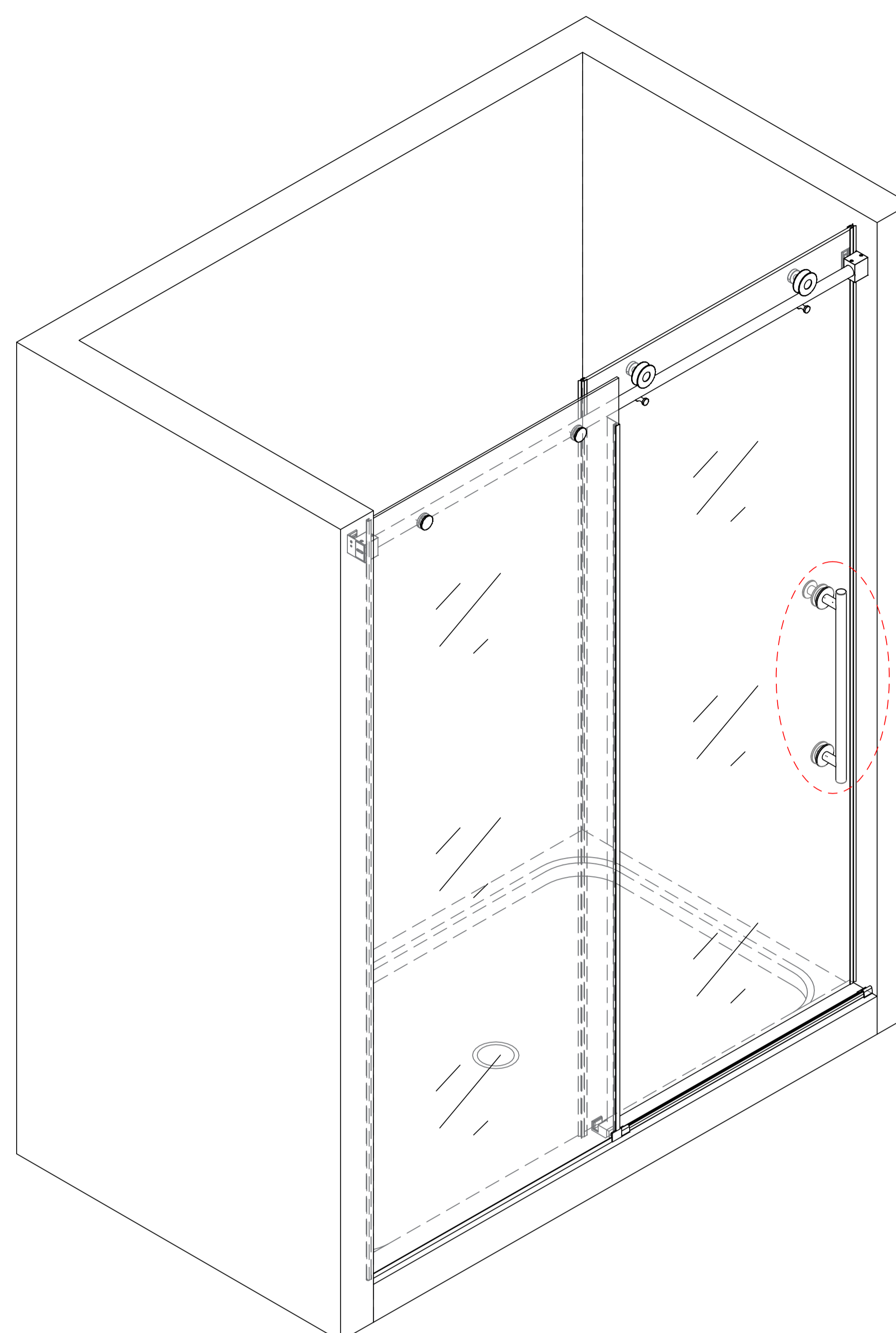
1. Install the Handle (11).
2. Use 2.5mm Allen wrench to tight.



Right Hand Assembly

STEP 13

1. Install the Handle (11).
2. Use 2.5mm Allen wrench to tight.



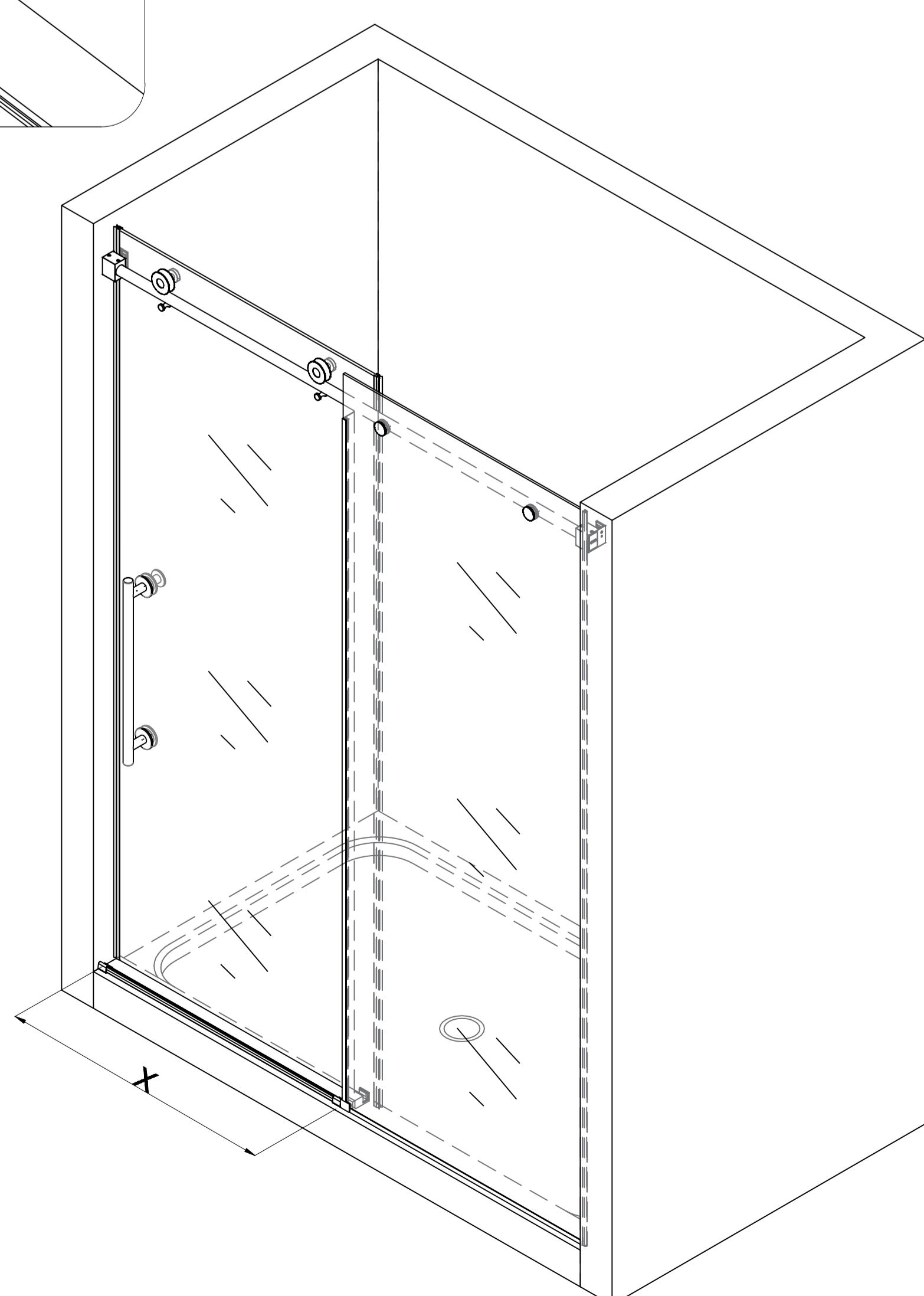
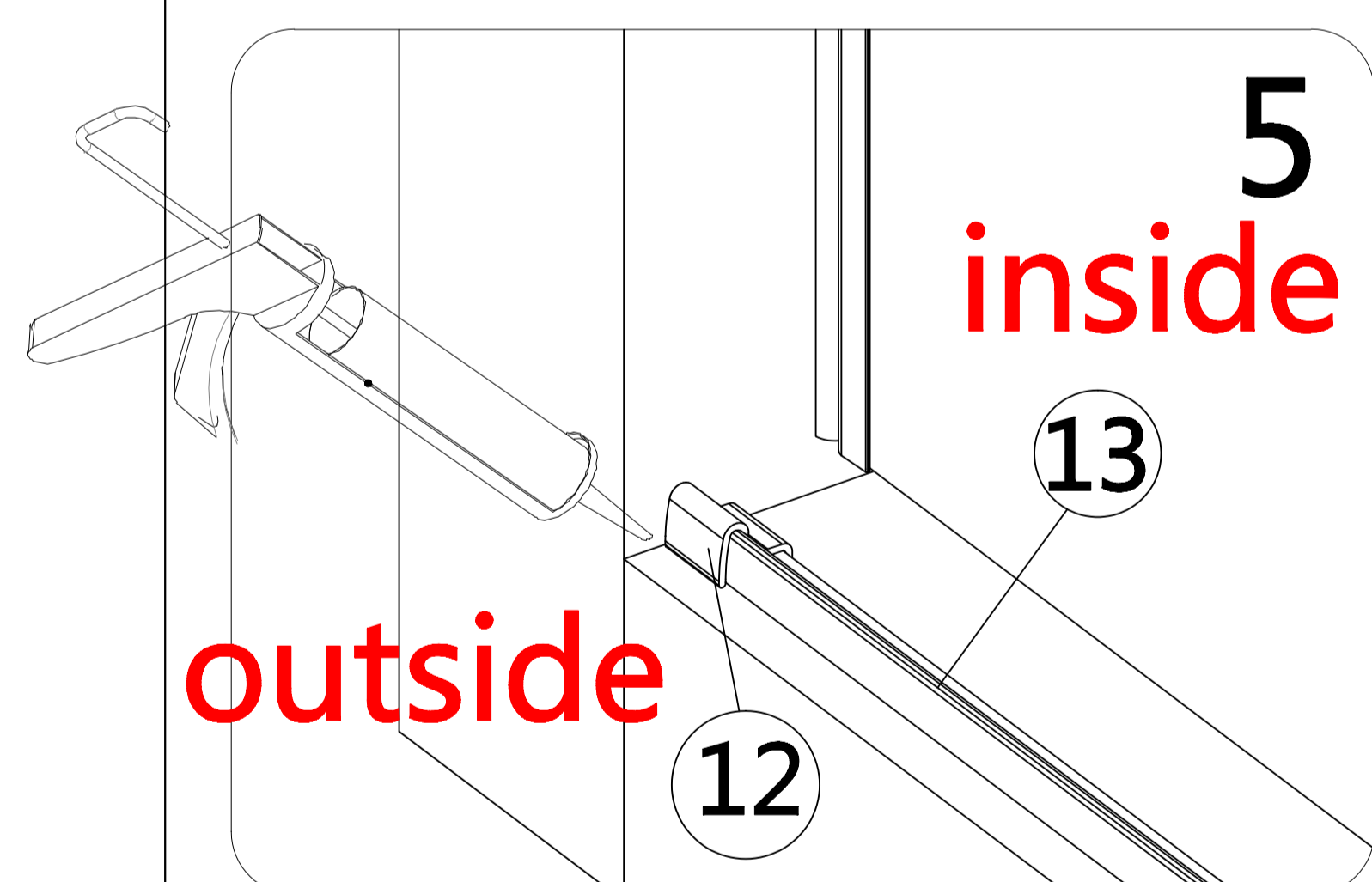
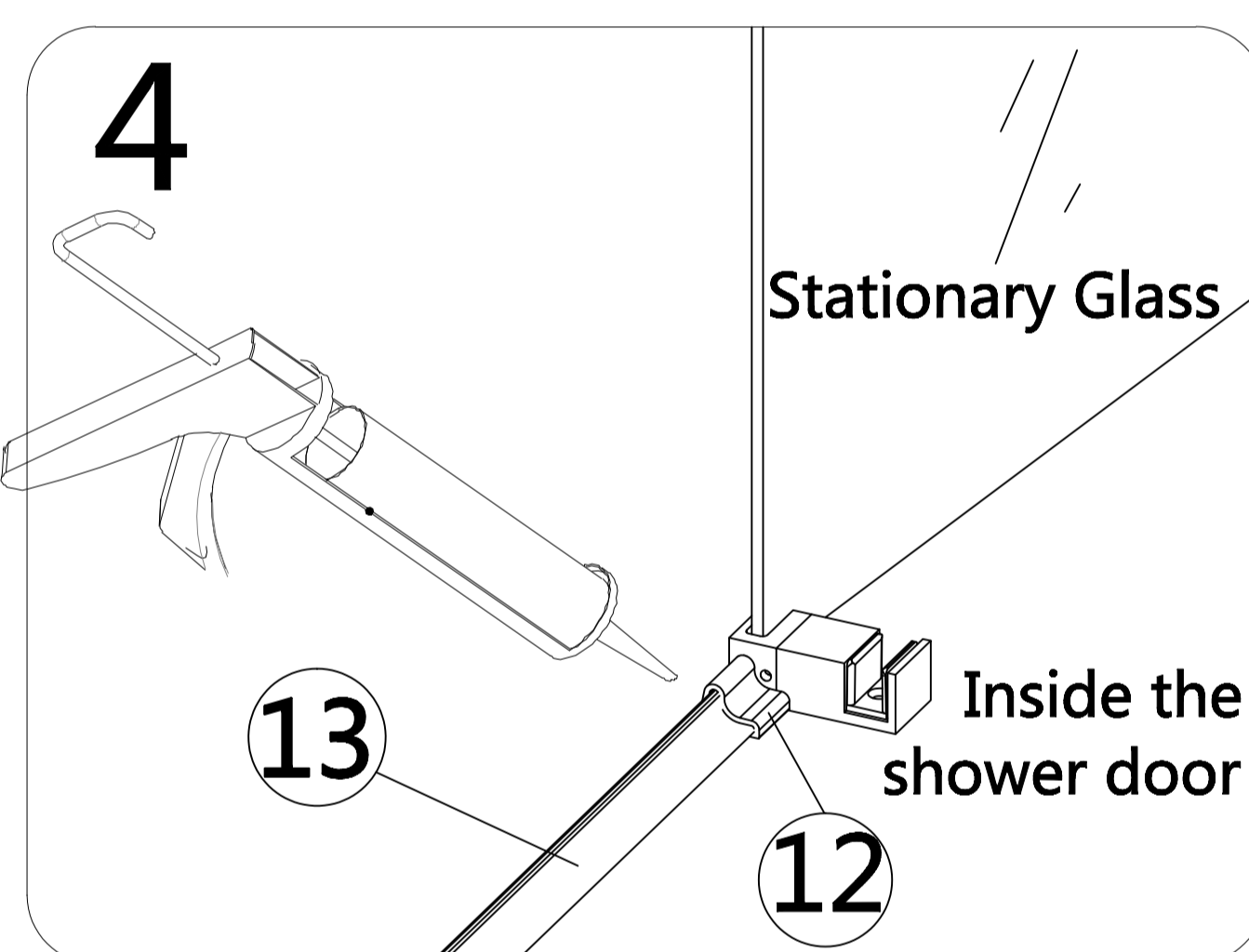
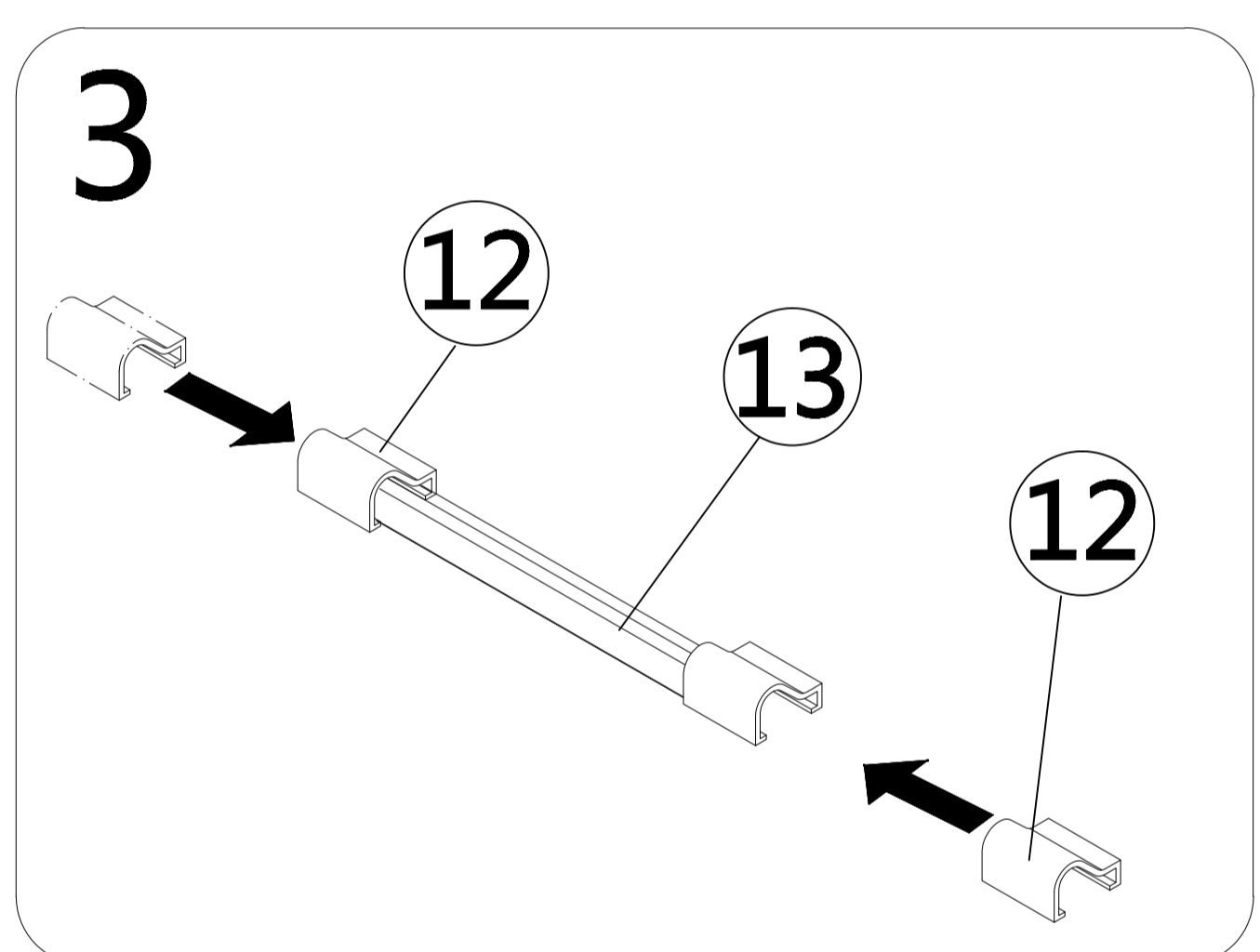
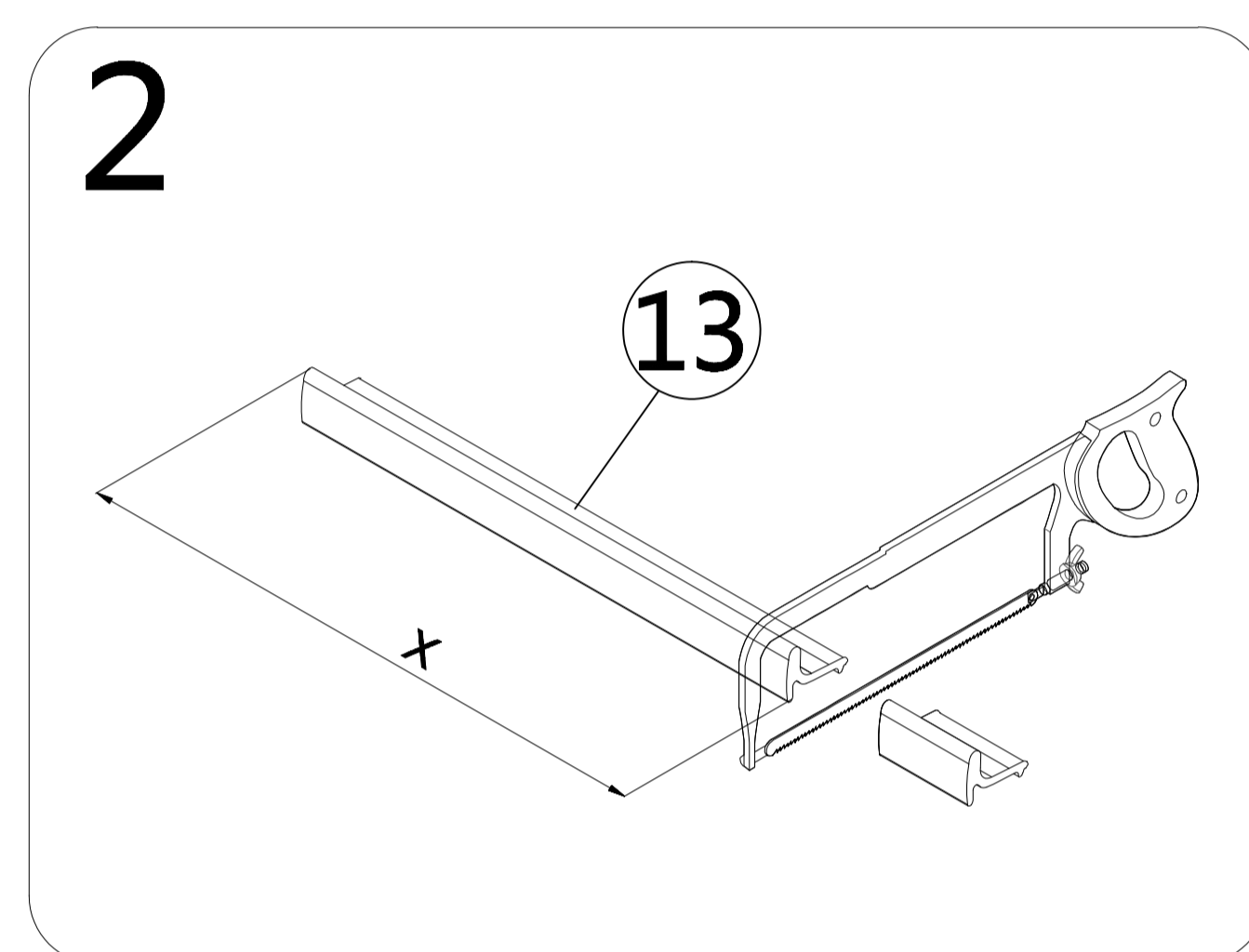
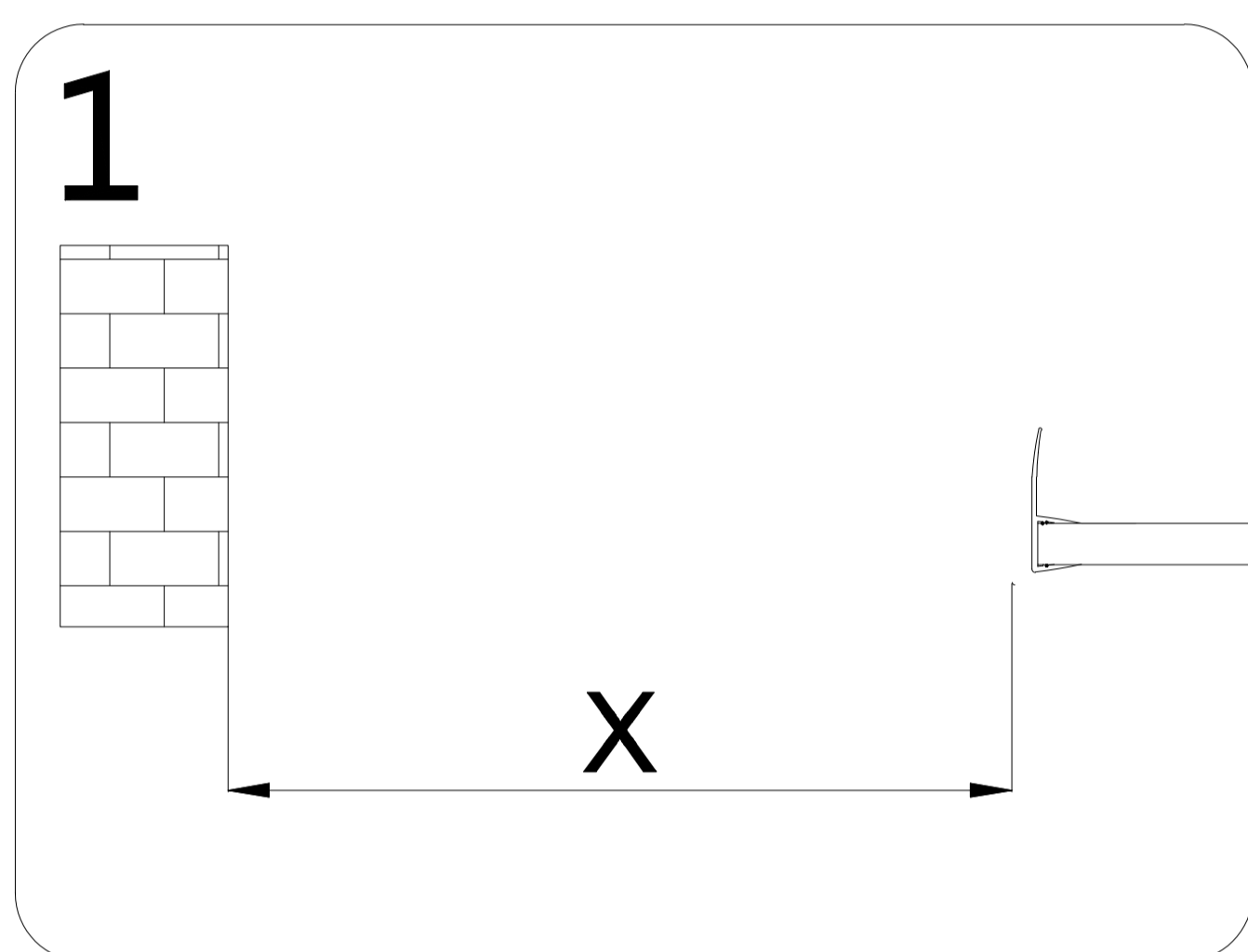
Choose the appropriate diagram below to assemble your shower door

Left Hand Assembly

STEP 14

Base Bar 13 Installation

1. Measure the distance "x" from the left side of the stationary glass to the left side of the wall.
2. Cut the threshold 13 according to the value of "x".
3. Insert accessories 12 into the threshold 13.
4. Insert the threshold into the lower corner of the stationary glass and secure it with glass gule.
5. Secure accessory 12 with glass glue.

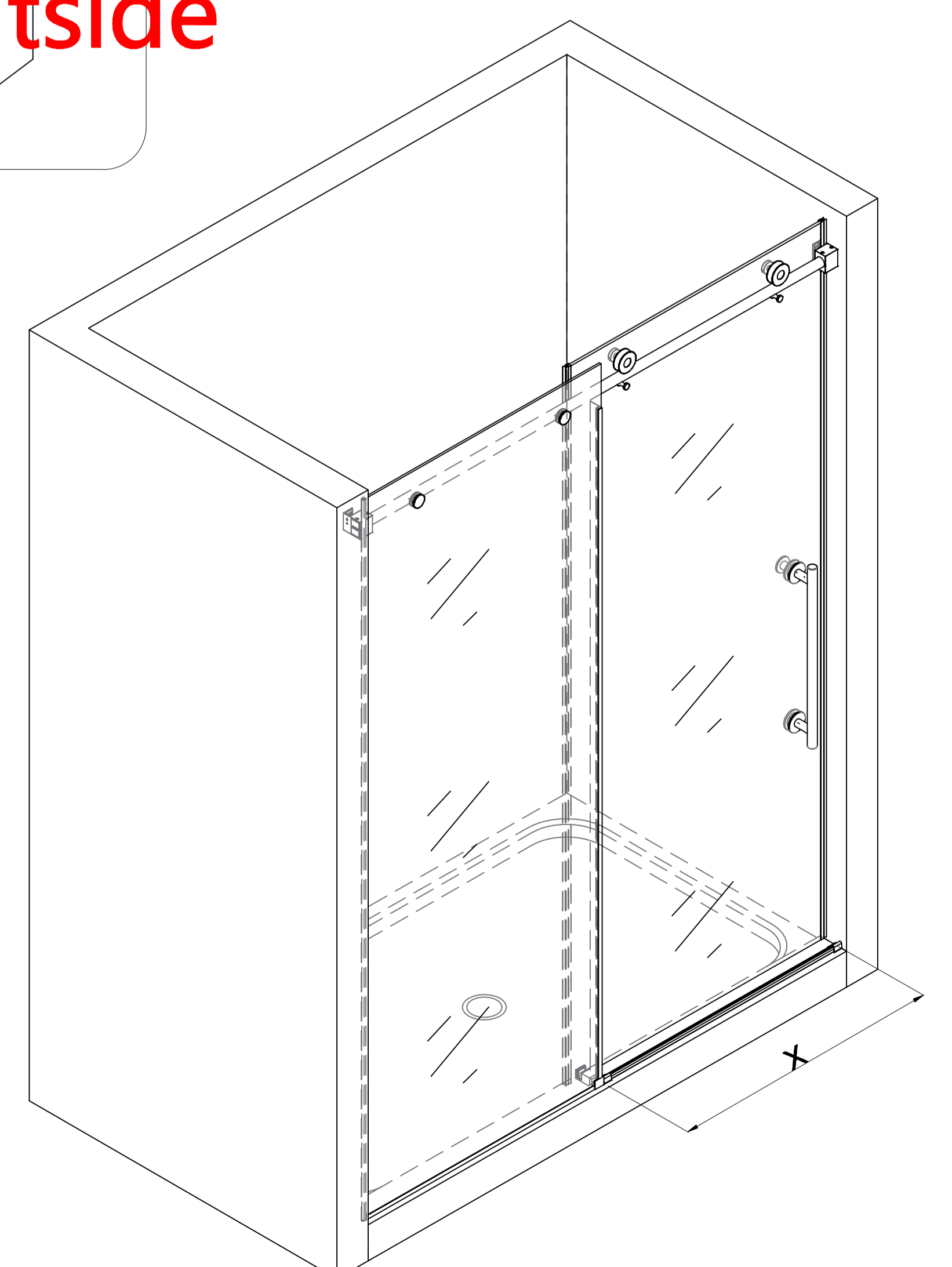
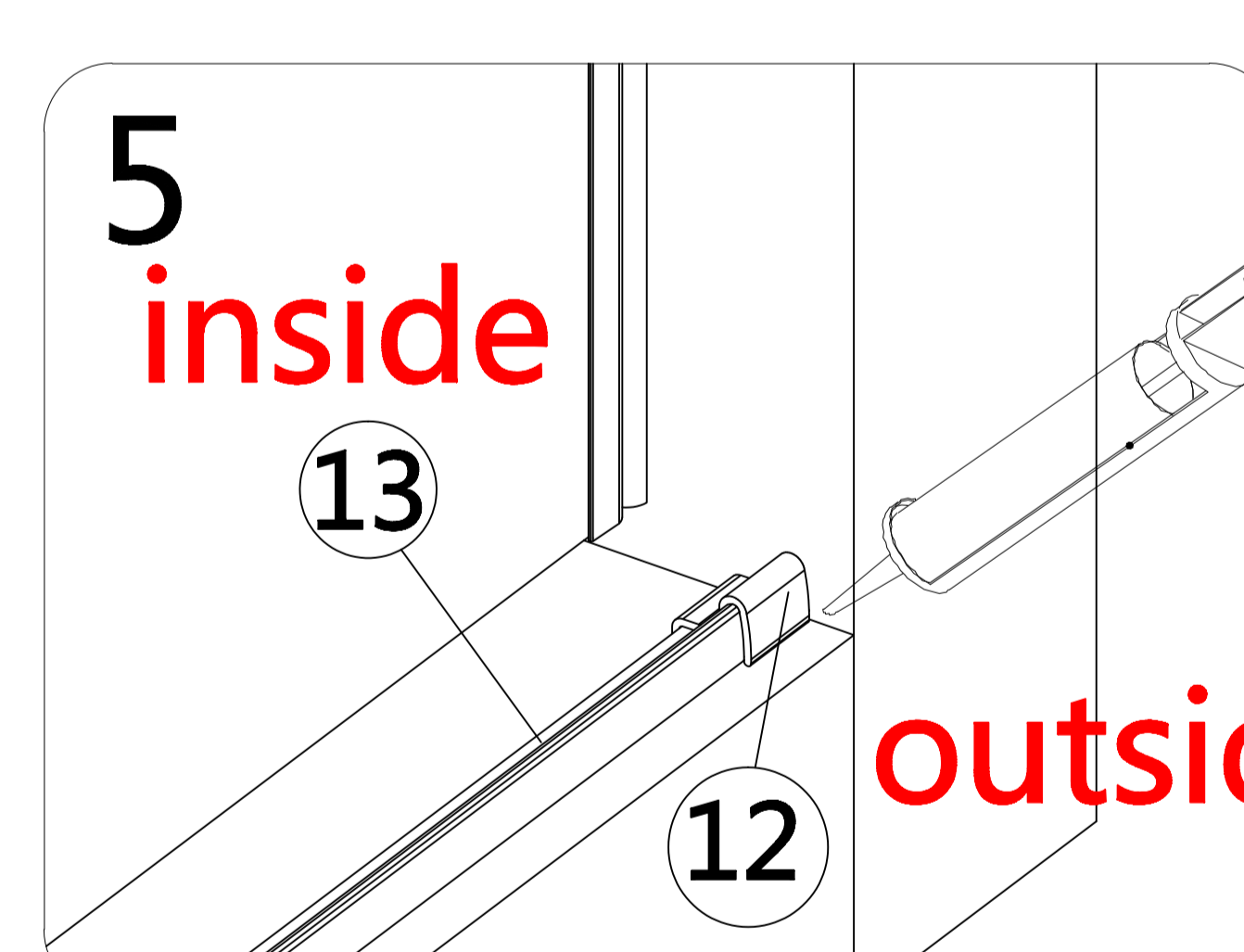
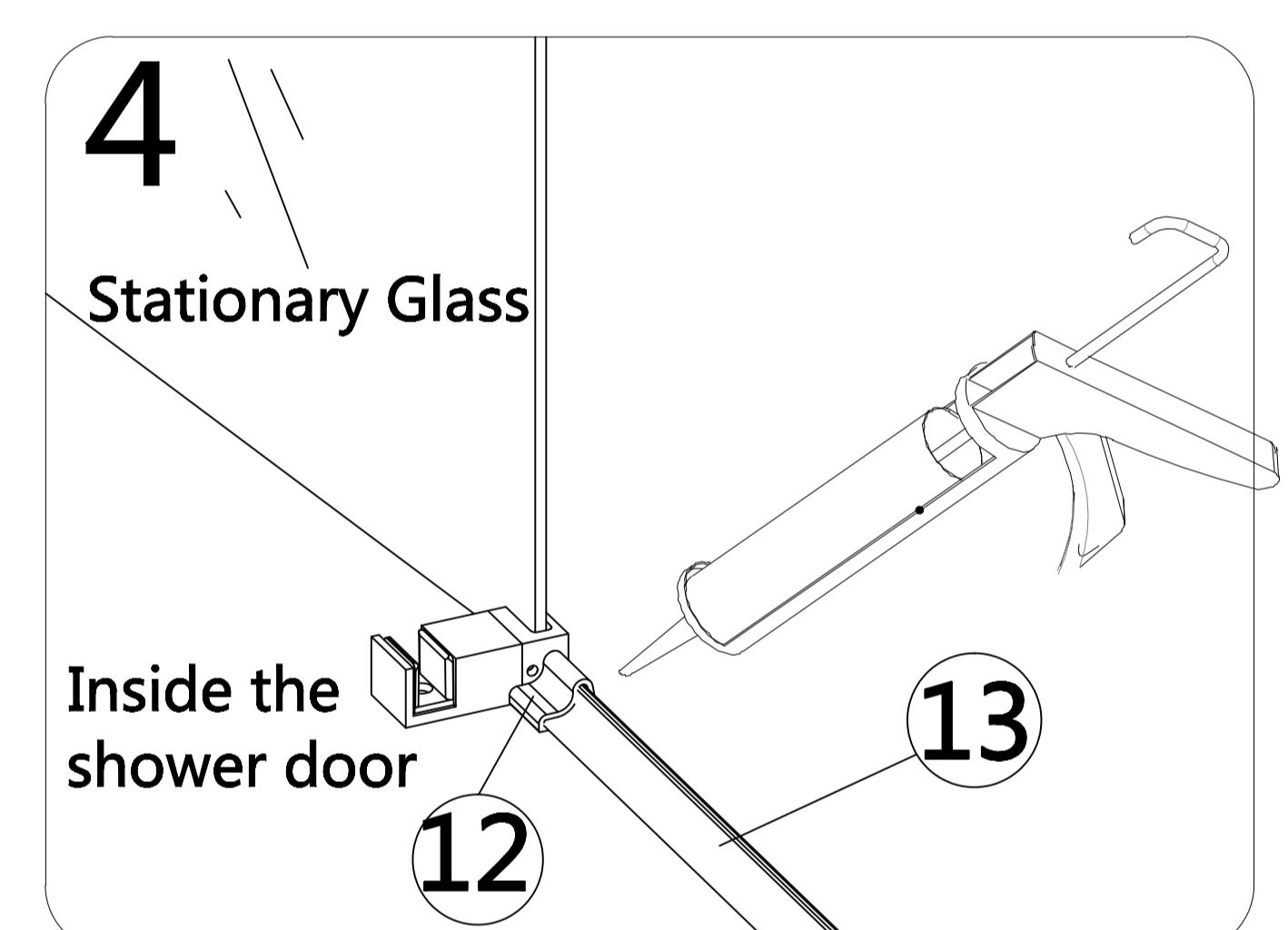
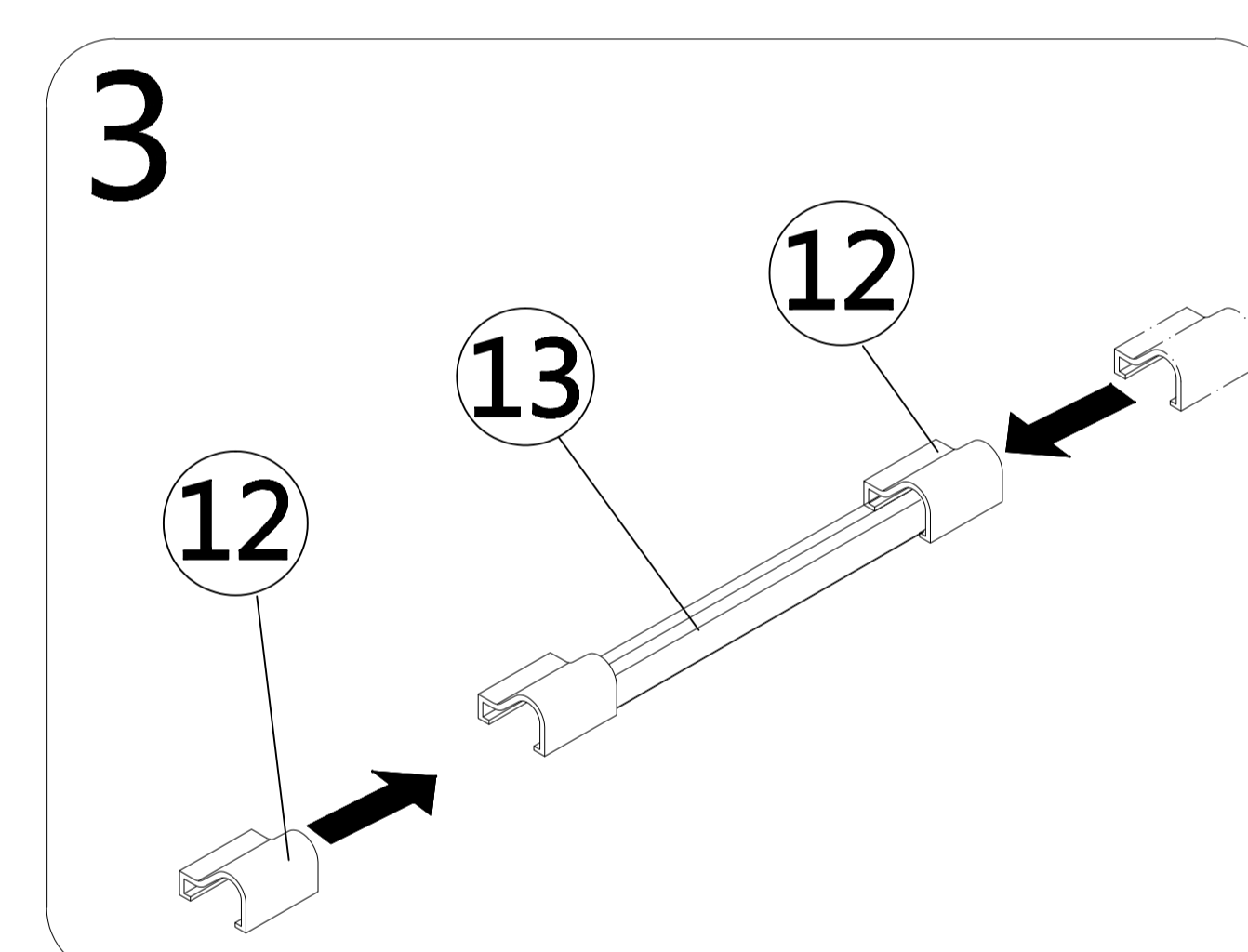
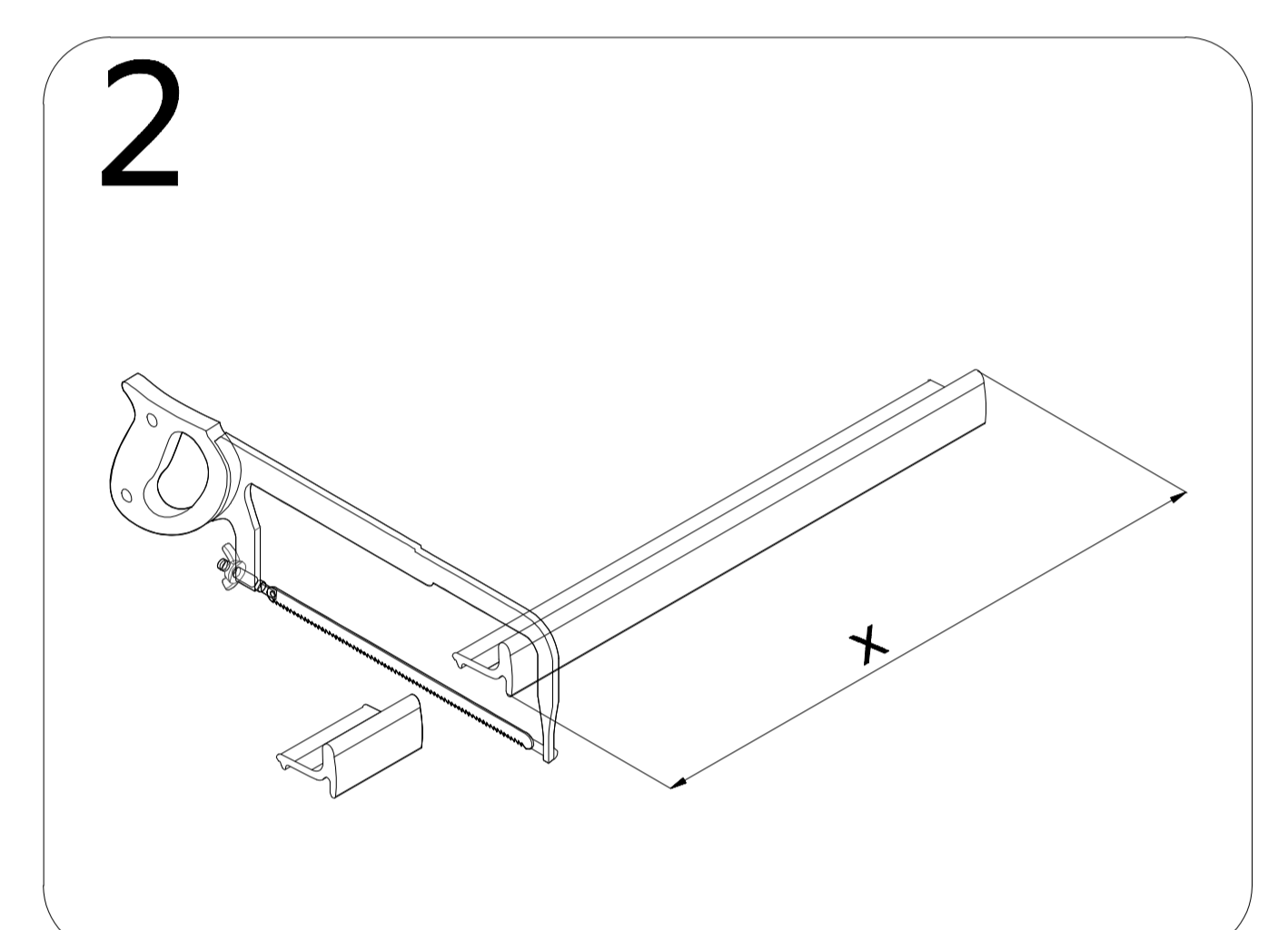
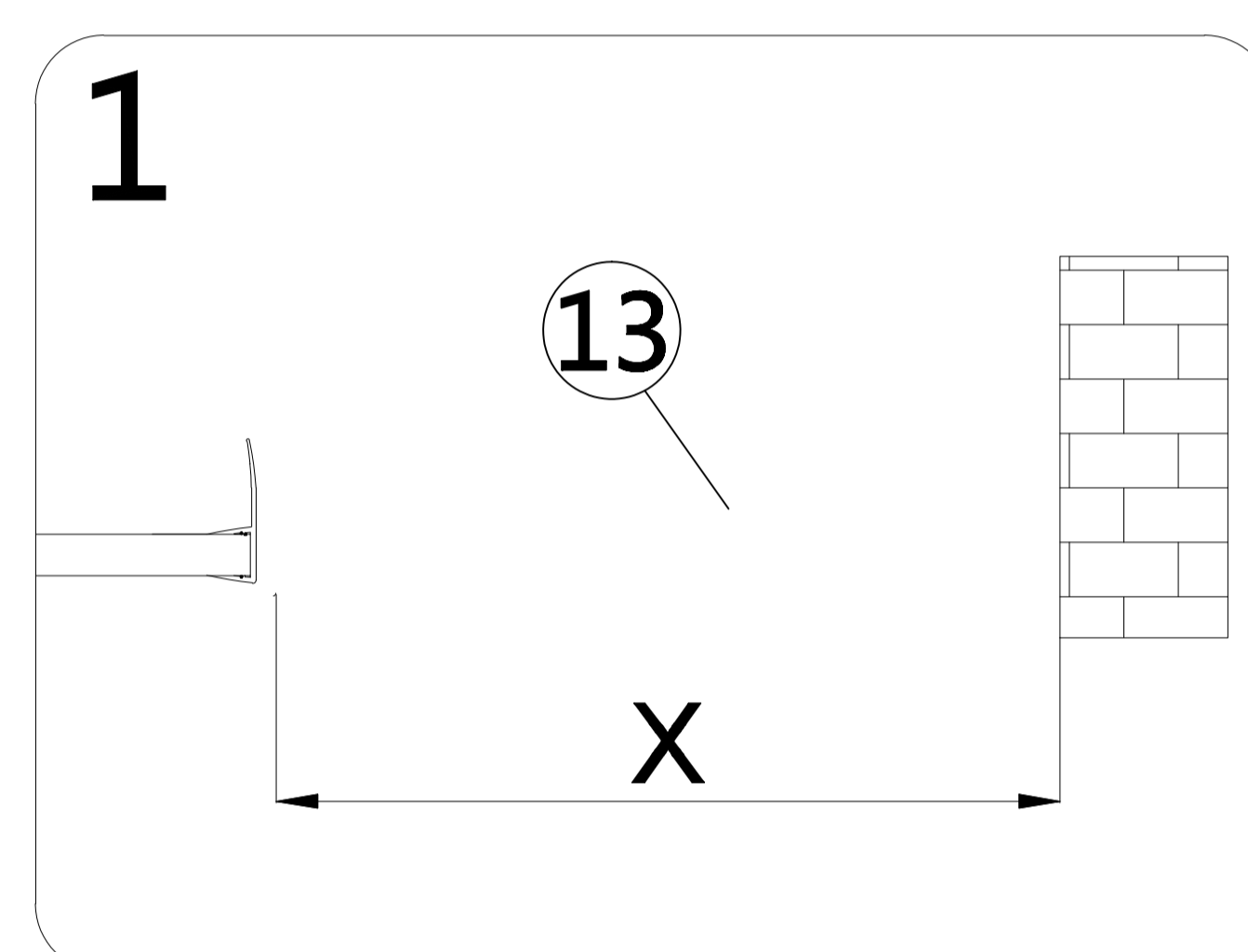


Right Hand Assembly

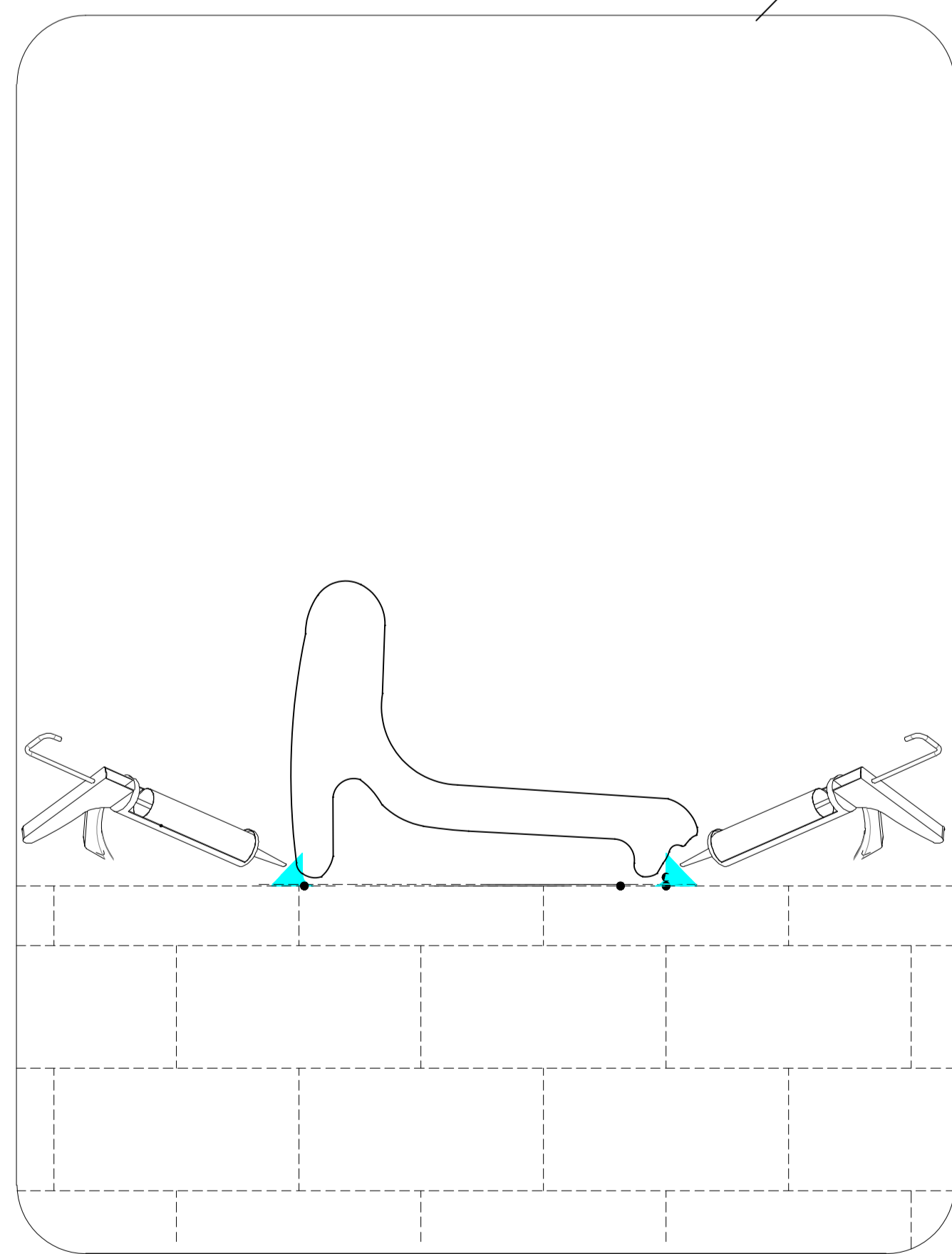
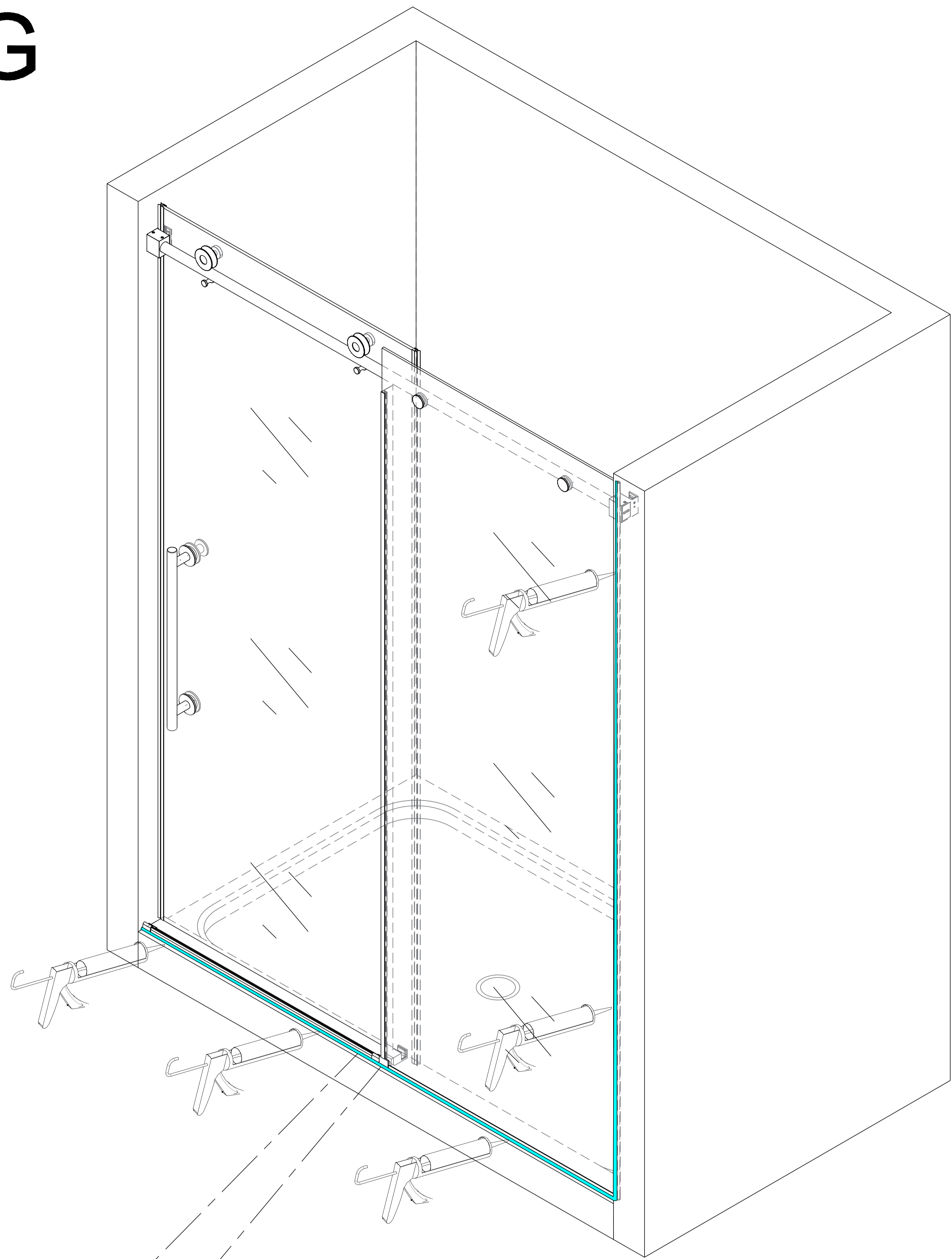
STEP 14

Base Bar 13 Installation

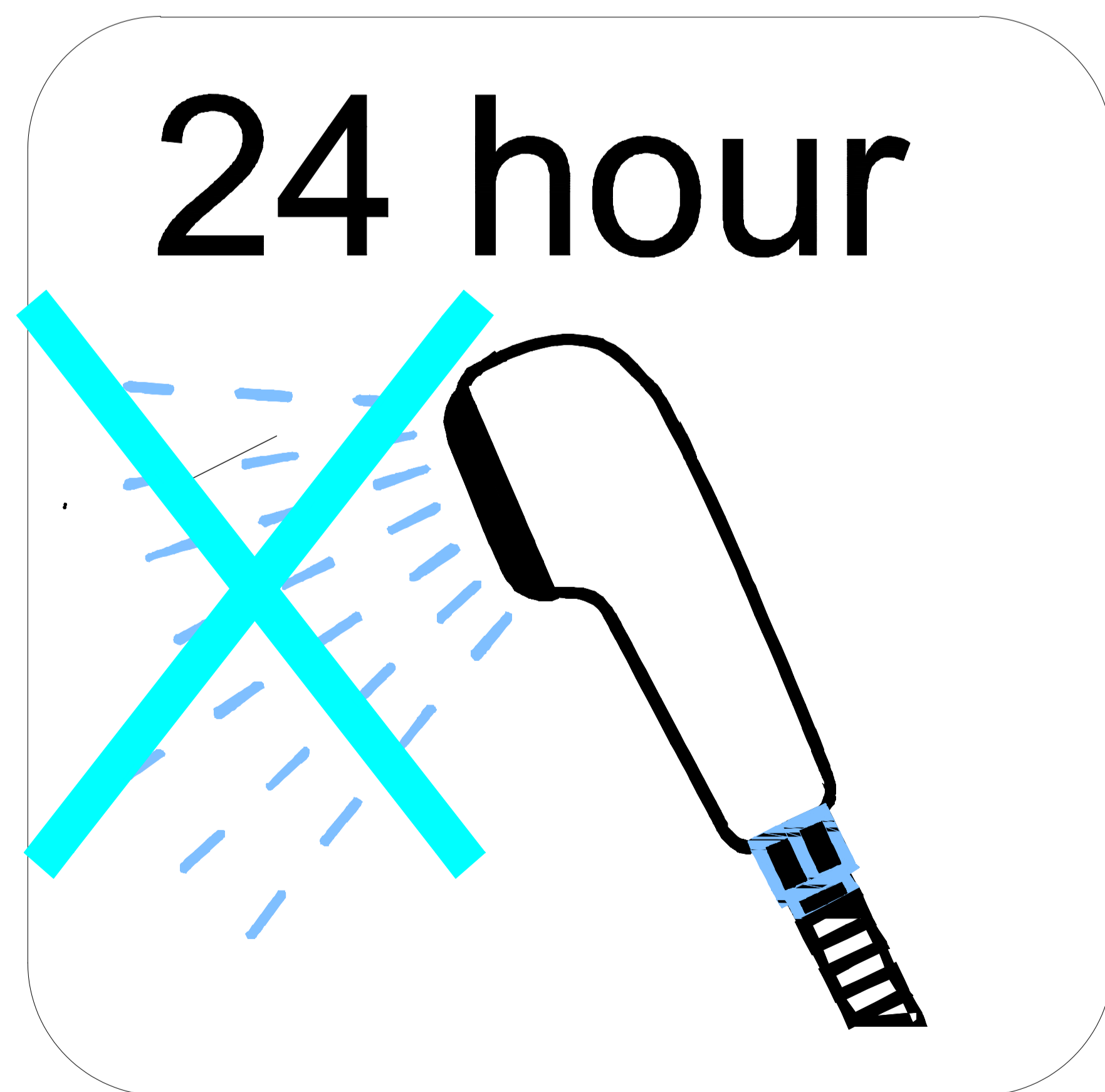
1. Measure the distance "x" from the right side of the stationary glass to the right side of the wall.
2. Cut the threshold 13 according to the value of "x".
3. Insert accessories 12 into the threshold 13.
4. Insert the threshold into the lower corner of the stationary glass and secure it with glass gule.
5. Secure accessory 12 with glass glue.



SEALING



Apply glass glue on both sides of the bottom rail



Wait for the glass glue to dry for 24 hours before using the shower door