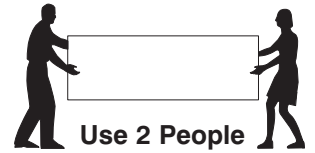
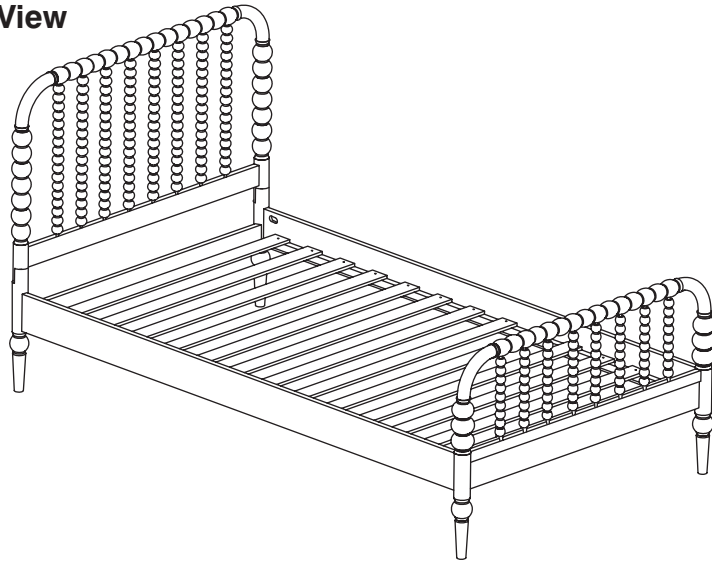


# 0110-4 Twin Bed

## Assembly Instructions

WI-0524

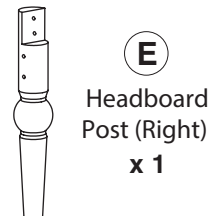
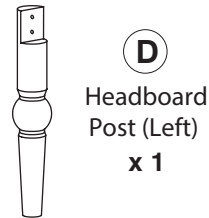
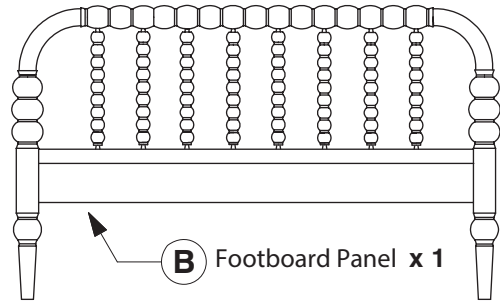
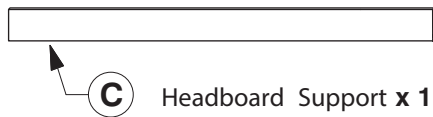
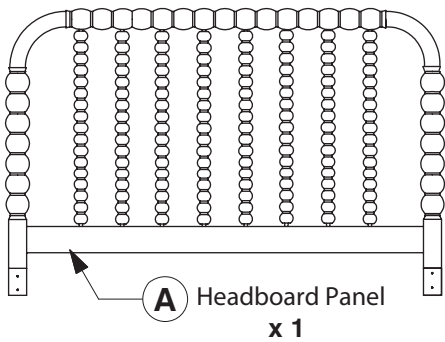
### 1 Assembled View



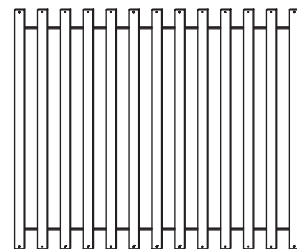
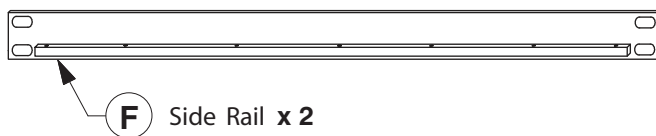
**Note:** Do not assemble using power tools. This can cause the bolts to be overtightened

### 2

#### Parts in Box A:



#### Parts in Box B:



**G** Set of Bed Slats x 1

# 0110-4 Twin Bed

## Assembly Instructions

WI-0524

### 3 Hardware List



1 M4 Allen Key  
x 1



2 Wood Screw  
(M4 x 32mm) x 12



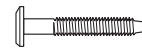
3 Wood Dowel  
(10 x 40mm) x 4



4 Spring Washer  
x 4

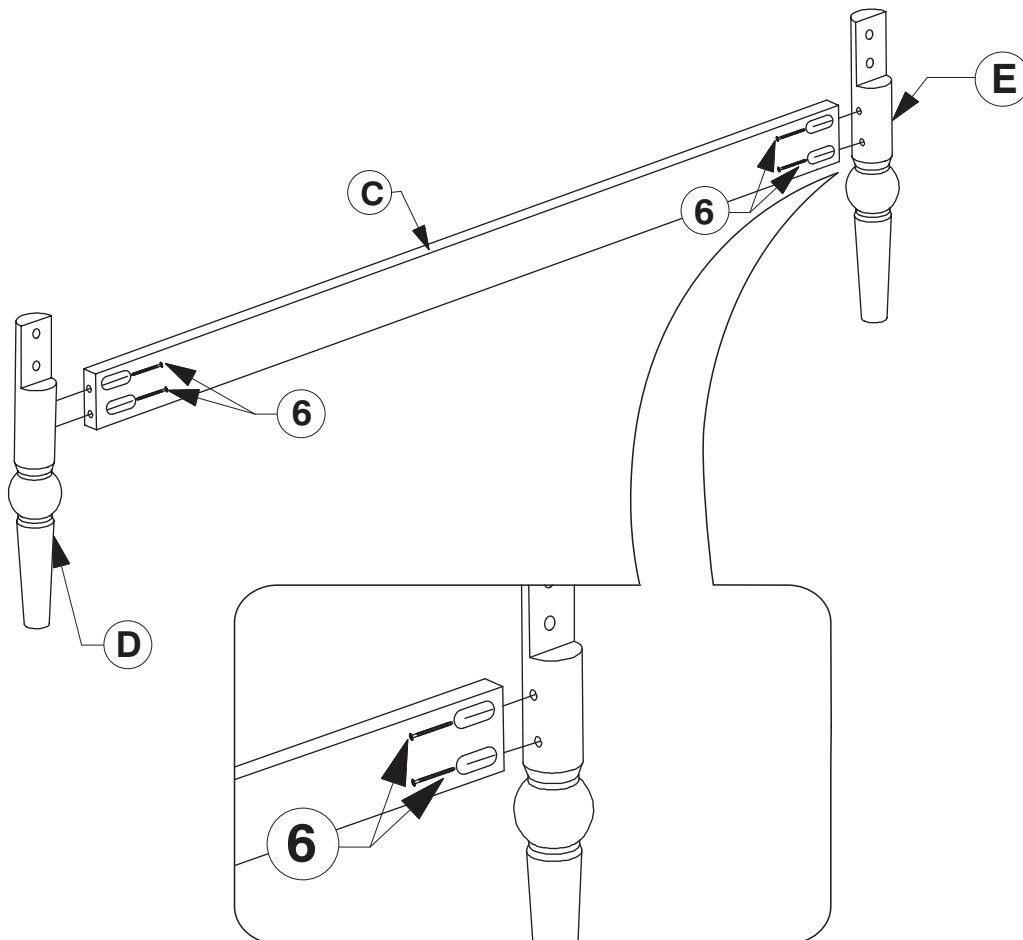


5 Flat Washer  
x 4



6 M6 x 40mm  
JCB x 30

### 4 Assembled the Headboard Post (D & E) to the Headboard Support (C).

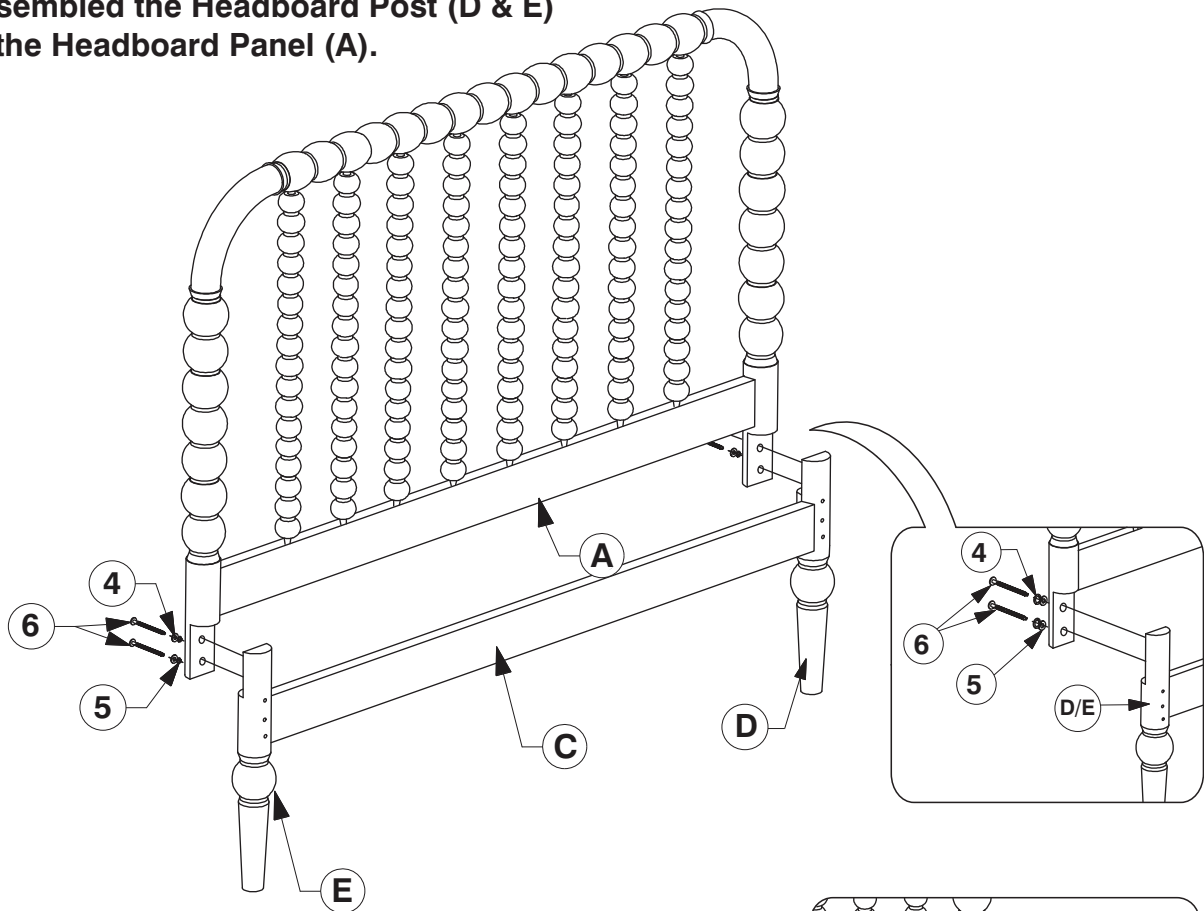


# 0110-4 Twin Bed

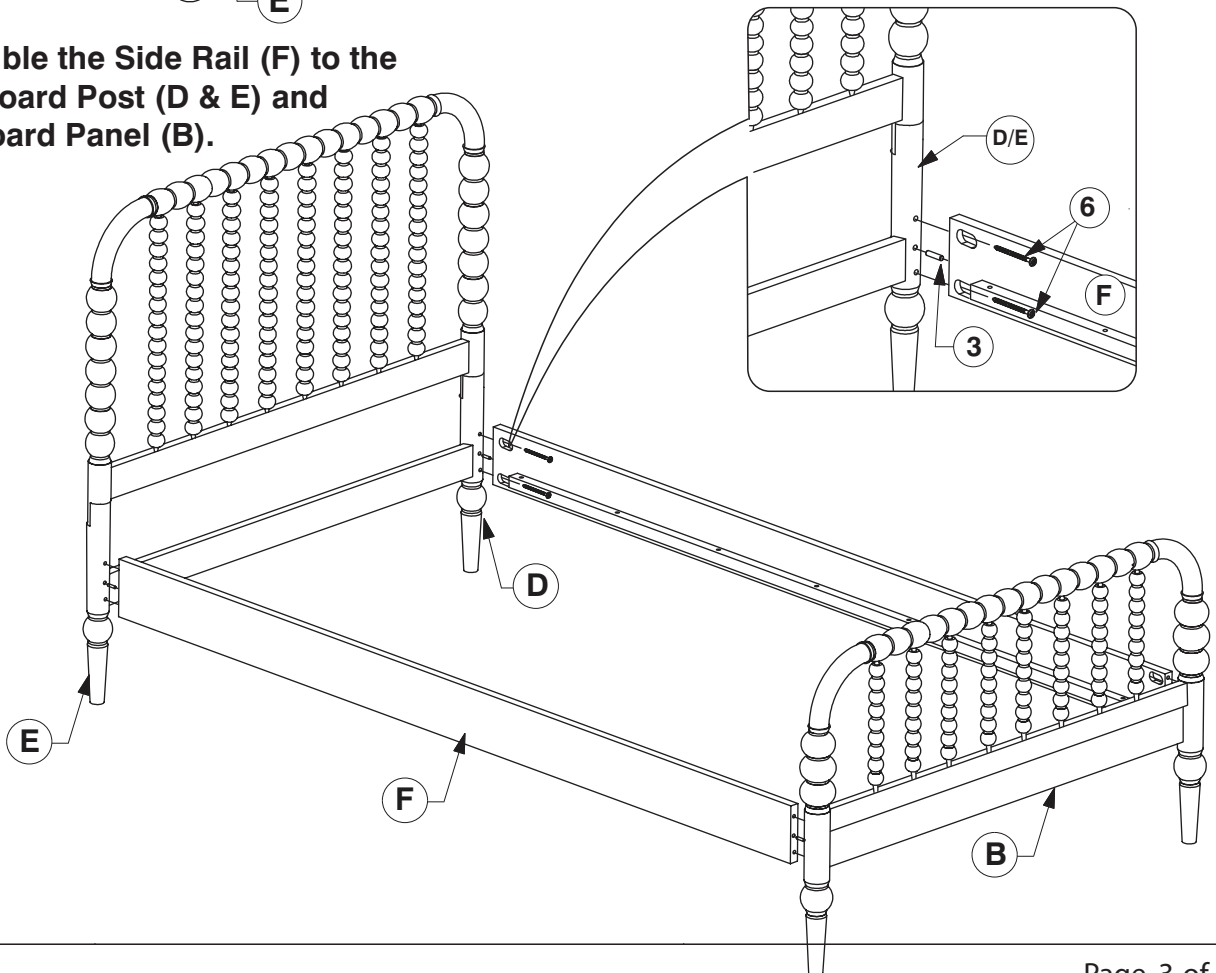
## Assembly Instructions

WI-0524

- 5** Assembled the Headboard Post (D & E) to the Headboard Panel (A).



- 6** Assemble the Side Rail (F) to the Headboard Post (D & E) and Footboard Panel (B).

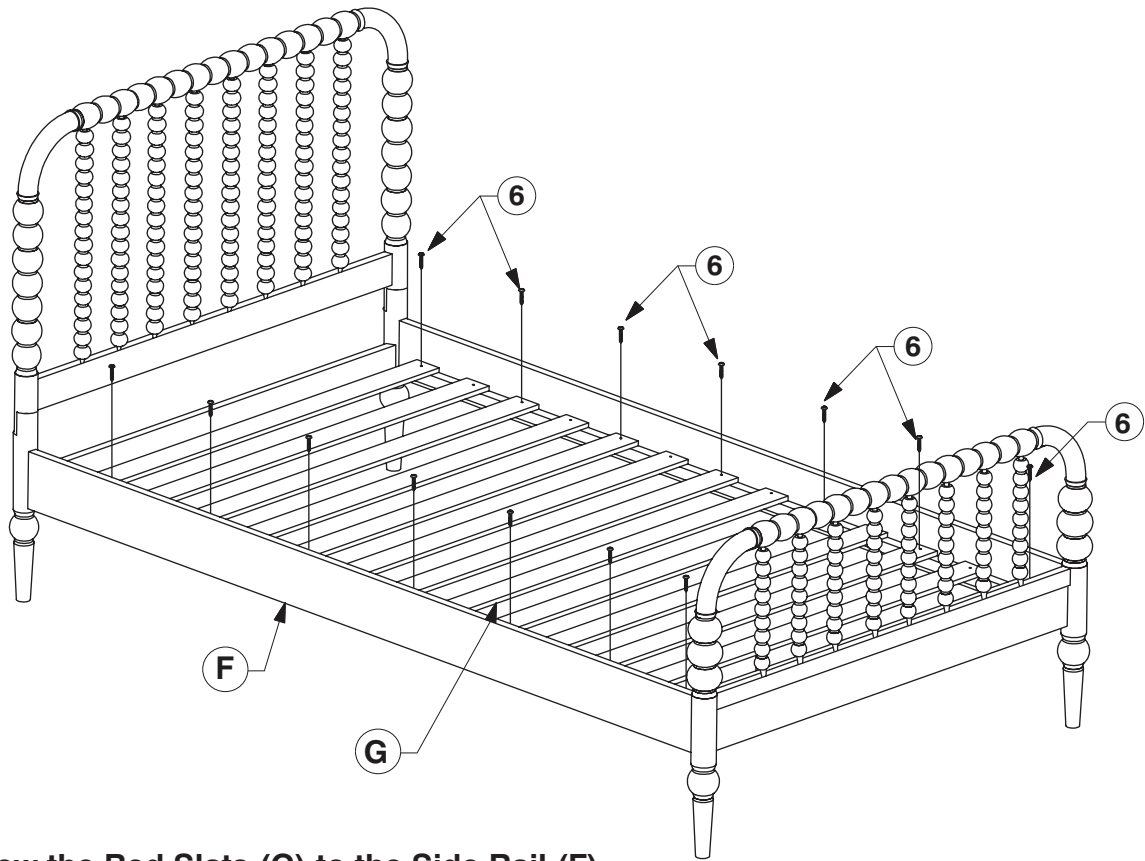


# 0110-4 Twin Bed

## Assembly Instructions

WI-0524

- 7 Bolt the Bed Slats (G) to the Side Rail (F).**



- 8 Screw the Bed Slats (G) to the Side Rail (F).**

