



Shown:  
**DG-BK-WD** Matte Black Finish, with Mahogany Tone Blades

# Dagny

## Balance of Power and Grace

The Dagny exudes industrial elegance with its double-headed, 360° rotational design, featuring sleek cylindrical housing and parallel arms. Its dual fan heads glide smoothly in 180-degree arcs, allowing for infinite positioning and optimized airflow, creating a mesmerizing blend of power and grace. Crafted from durable cast aluminum and heavy stamped steel, it ensures efficient circulation of heat and air-conditioning while standing as a statement of strength and style. Available with an optional light kit (Dagny-LK) and backed by a limited lifetime warranty.



**DG-TB-MLT** Matte Black Finish with Metal Blades

**DG-TB-WD**  
 Matte Black Finish,  
 with Mahogany Tone  
 Blades

**DG-TB-WDBW**  
 Textured Bronze Finish,  
 with Barn Wood Tone  
 Blades

### PRODUCT FEATURES

- AC Motor
- Handheld Remote
- 360° Rotation
- Optional 60° Slant Mount
- Damp Location
- Unipack Shipping
- 30° Slant Ceiling Canopy
- Safety Cage Compatible

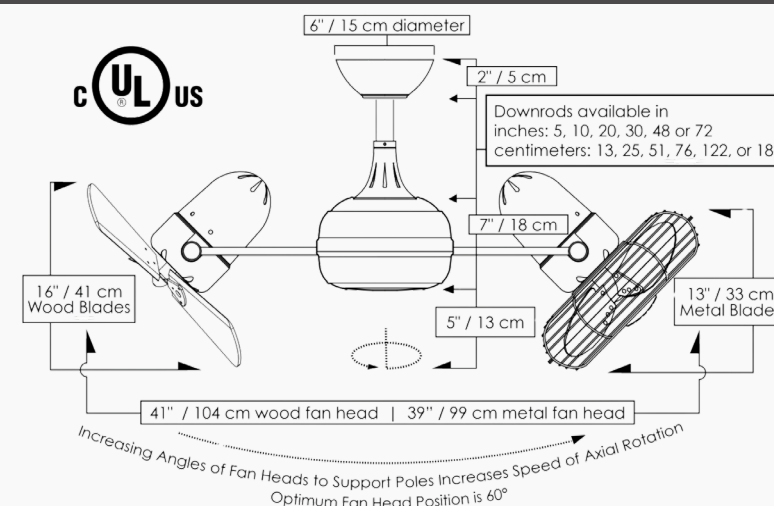
### FAN FEATURES

**Fan Weight** 22 lbs  
**Voltage** 110  
**Downrod Lengths**  
 inches: 5, 10, 18, 24, 36, 48,  
 60, 72  
 centimeters: 13, 25, 46, 61, 92,  
 122, 153, 183  
*Field cuttable, Non-threaded*  
**Downrod Diameter** 1 inch  
**Overall Drop** 14in / 36cm  
 + downrod length

### MOTOR FEATURES

**Motor Type** AC  
**Ambiance** Soothing White  
 Noise  
**Safety Certification** UL / CUL  
**Warranty** Limited Lifetime

### TECHNICAL SPECIFICATIONS



### SKU BUILDER

**DG-XX-XXXX**  
 (Model+Finish+Blade)

### FAN FINISHES

- |                                     |                                     |
|-------------------------------------|-------------------------------------|
| <b>Fan Finishes</b><br>Metal Blades | <b>Blade Finishes</b><br>Solid Wood |
| <b>TB</b><br>Textured Bronze        | <b>WDBW</b><br>Barn Wood Tone       |
|                                     | <b>WD</b><br>Mahogany Tone          |
|                                     | <b>WDBK</b><br>Matte Black          |

### DOE MOTOR EFFICIENCY DATA

**Guard Options**  
**Wood** - No Cage Option  
**Metal** - Safety Cage or Decorative Cage

<b>RPM (Low/High)</b>	<b>CFM/Watt (High)</b>
<b>Wood</b> - 757 / 1256	<b>Wood</b> - 50
<b>Metal</b> - 1035 / 1448	<b>Metal</b> - 42

<b>CFM (Low/High)</b>	<b>Blade Pitch</b>
<b>Wood</b> - 2565 / 4168	<b>Wood</b> - 19°
<b>Metal</b> - 2199 / 3169	<b>Metal</b> - 31°

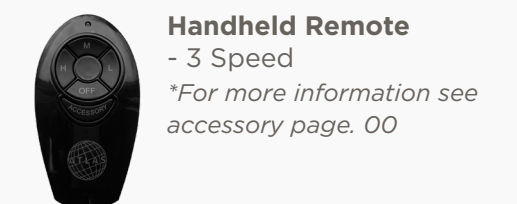
**Watts (High)**  
**Wood** - 87.26  
**Metal** - 80.69

### FAN DIAMETER

**Solid Wood** 41in / 104cm  
 + downrod length  
**Metal with Guard** 39in / 99cm  
 + downrod length

### STANDARD EQUIPMENT

**Downrod** 10in / 25cm  
**Slant Ceiling Canopy** 29°



**Handheld Remote**  
 - 3 Speed  
 \*For more information see  
 accessory page. 00

\*For more information see  
 accessory page. 132