

## Specifications:

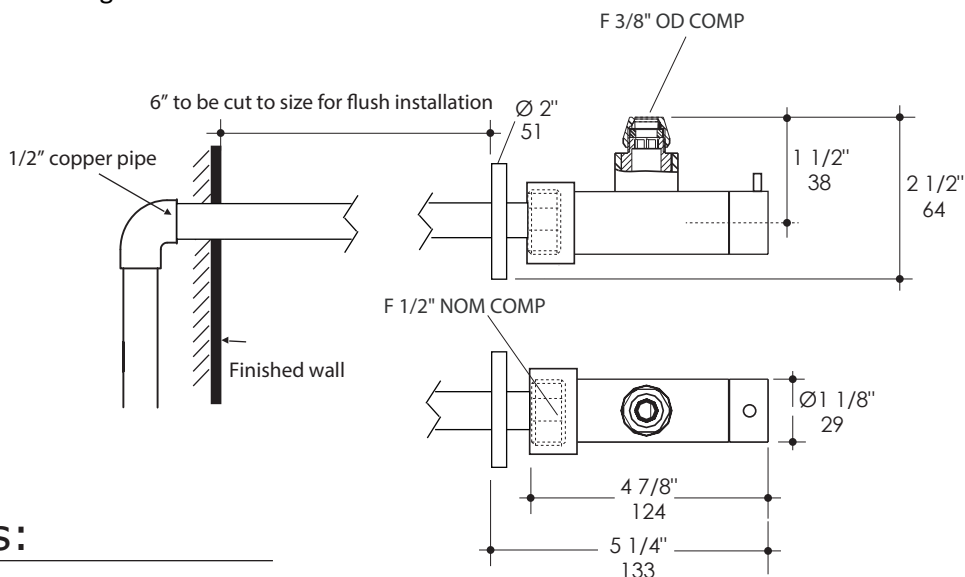
**Installation:** wall mount  
**Exterior Dimensions:** W: 2" D: 5 1/4" H: 2 1/2"  
**Material:** brass

**Finishes:** CR - polished chrome  
 PN - polished nickel  
 NI - brushed nickel  
 BG - brushed gold  
 44 - matte black



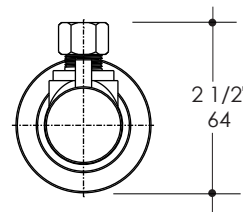
## Features:

- Wall-mount round angle valve with flange
- Brass construction
- 90° rotating angle
- Ceramic cartridge
- INLET: F 1/2" NOM COMP
- OUTLET: F 3/8" OD COMP
- Decorative cap cover for IN nut



## Recommended Items:

- R028 replacement cartridge



LACAVA reserves the right to revise any dimension or information on this sheet without notice. Dimensions are nominal and may vary within an industry accepted tolerance of 1/4". Drawings provided herein are meant to give the user an idea of the product and are not made to scale. Location of plumbing is meant for reference, your specific application may vary.  
 Revised: 05/03/2024