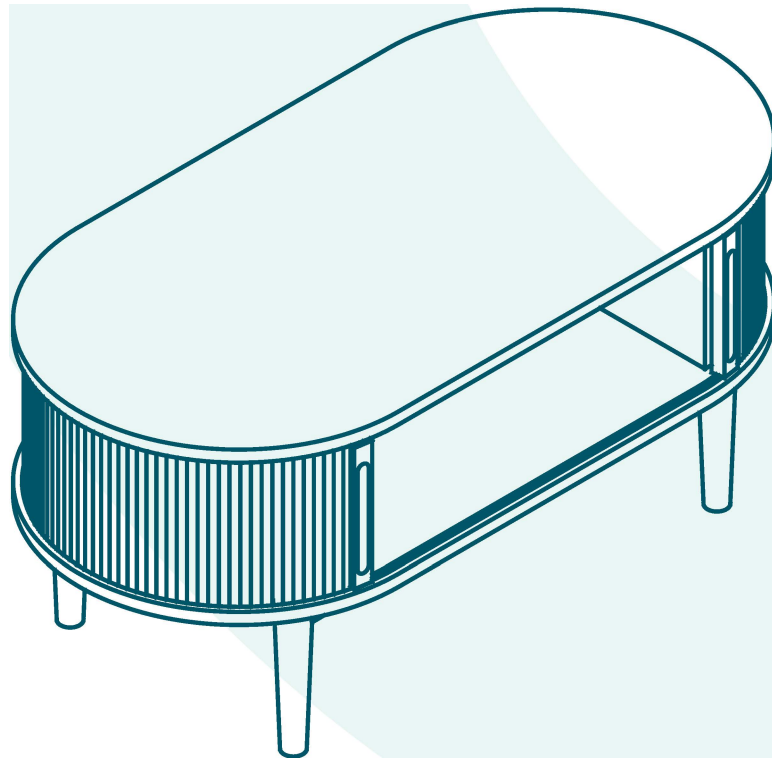


Coffee Table



Assembly Instructions



Safety And Care Advice

Important – Please read these instructions fully before starting assembly.

Please check if all the components and tools listed on pages 3 - 4 are received.

Please remove all fittings from the plastic bags and separate them into homologous groups.

Please keep children and animals away from the working areas; swallow small parts may cause suffocation.

Please make sure you have enough space to lay out the parts before starting.

Do not stand on the product, which could cause damage.

Please assemble the product as close to its final position as possible.

Do not place furniture directly in front of radiators, fires, or any other source of heat.

The assembly will be easier with 2 people.

Please dispose of all packaging carefully and responsibly.



General care and maintenance.

Please clean with a damp cloth or mild detergent, do not use bleach or abrasive cleaners.

Do not allow the spill to stay on the surface for a long time.

Do not clean with products containing the following: acetone (e.g., nail varnish remover), ammonia (e.g.bleach), or sodium hydroxide(e.g., caustic soda, drain, and oven cleaners).

If the product is accidentally exposed to the irritating liquid, rinse thoroughly with clean water

Mats can be used to protect surfaces from moisture and heat.


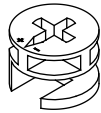
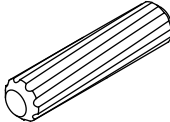
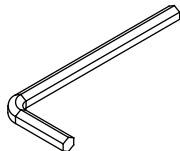
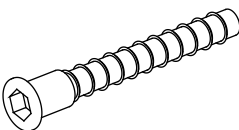
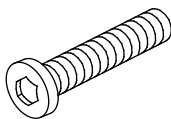
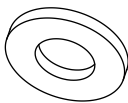
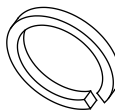
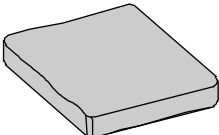
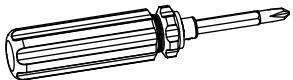
Please check whether there are missing screws in the product regularly

The product should not be discarded with household waste, and please take it to your local authority waste disposal center

Components

Please check if all the pieces listed below are received.

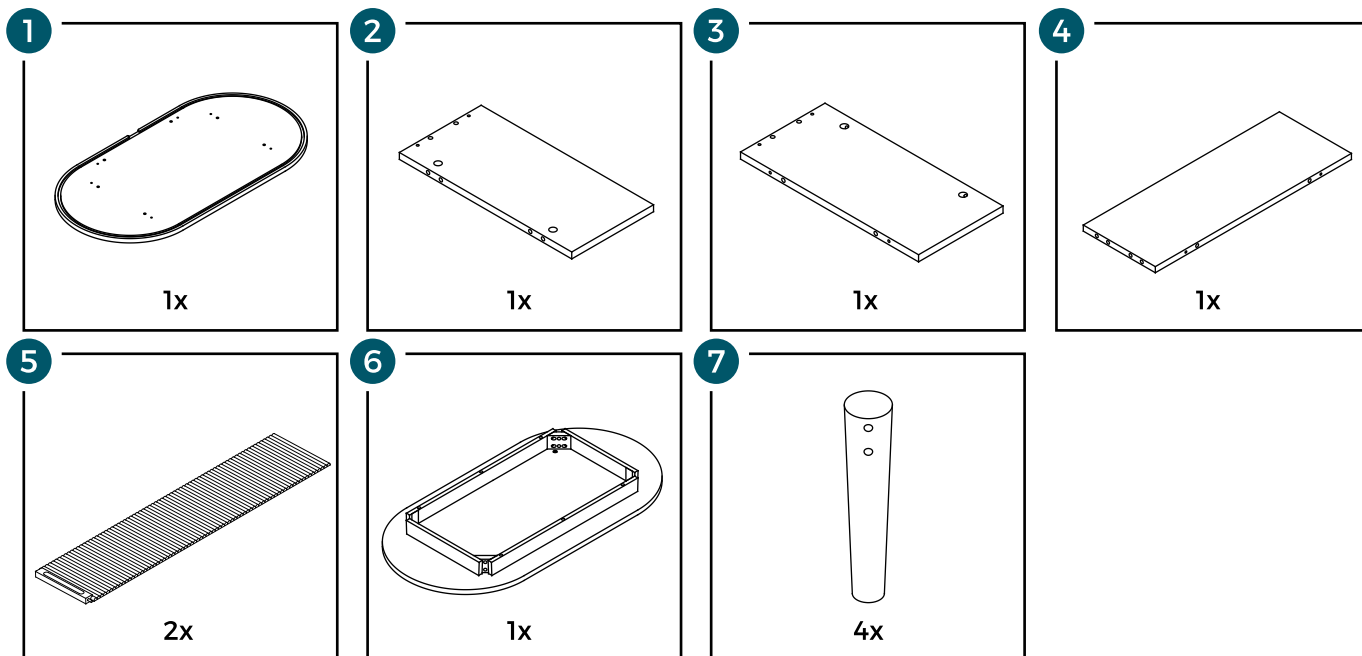
Hardware

A Cam bolt  Ø6*35 mm 10x	B Cam lock  Ø15*10 mm 10x	C Wood dowel  Ø8*30 mm 16x	D Allen wrench  4 mm 1x
E Screw  Ø6*50 mm 6x	F Bolt  Ø6*50 mm 8x	G Flat washer  Ø6*16 mm 8x	H Lock washer  Ø6 mm 8x
J Cire  1x	K Ratchet Screwdriver  1x		

Components

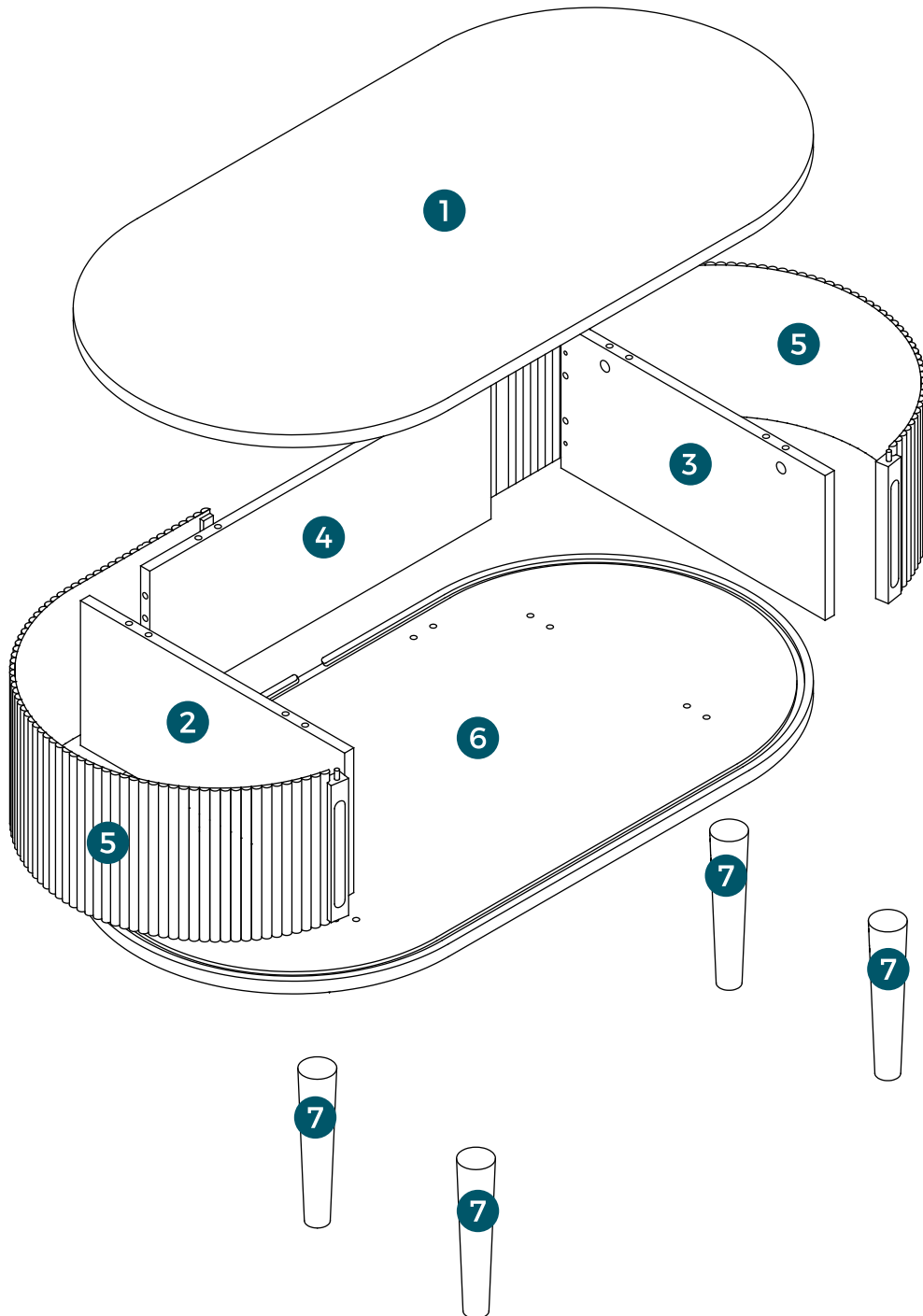
Please check if all the pieces listed below are received.

Parts



Exploded diagram illustration

Please check if all the pieces listed below are received.

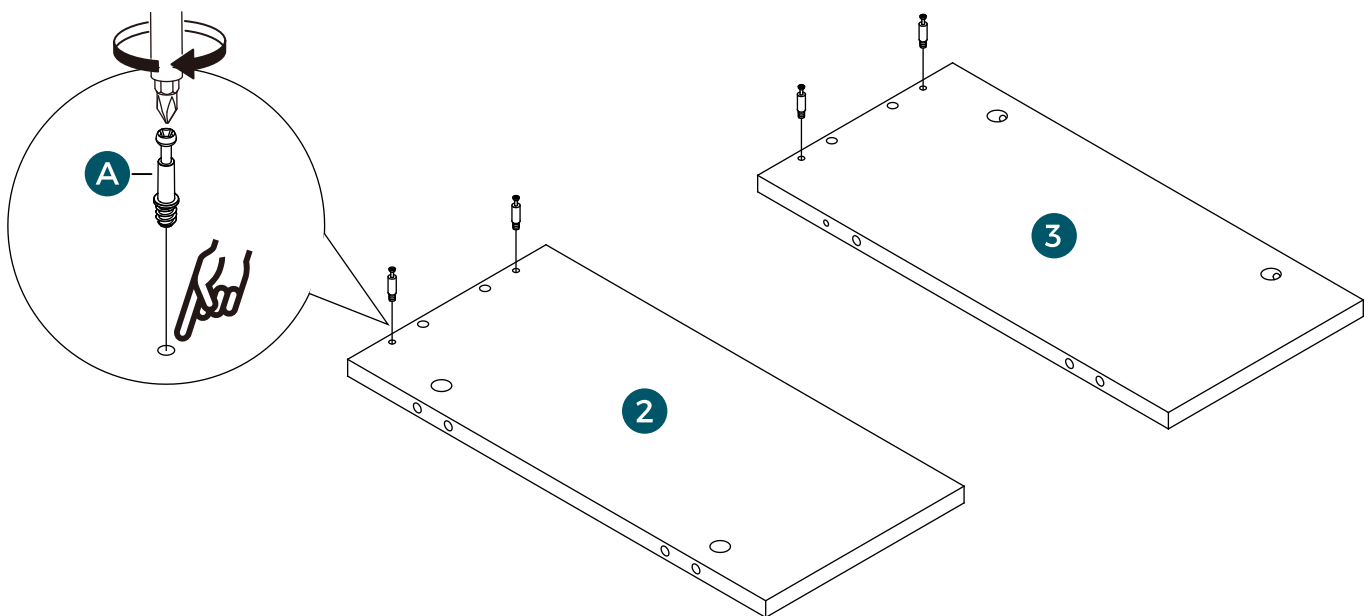
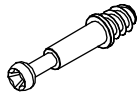


Assembly Instructions

Caution: Inappropriate installation of screws will cause damages to the product!

Step 1

A x 4pcs

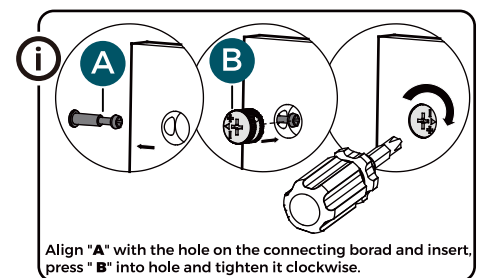
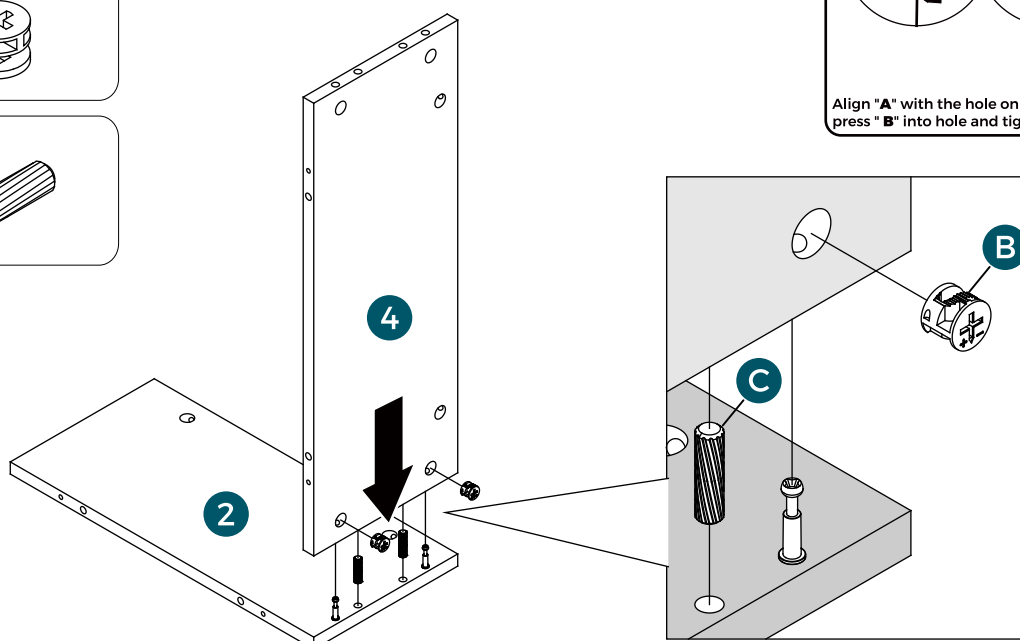
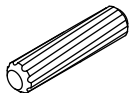


Step 2

B x 2pcs



C x 2pcs



Assembly Instructions

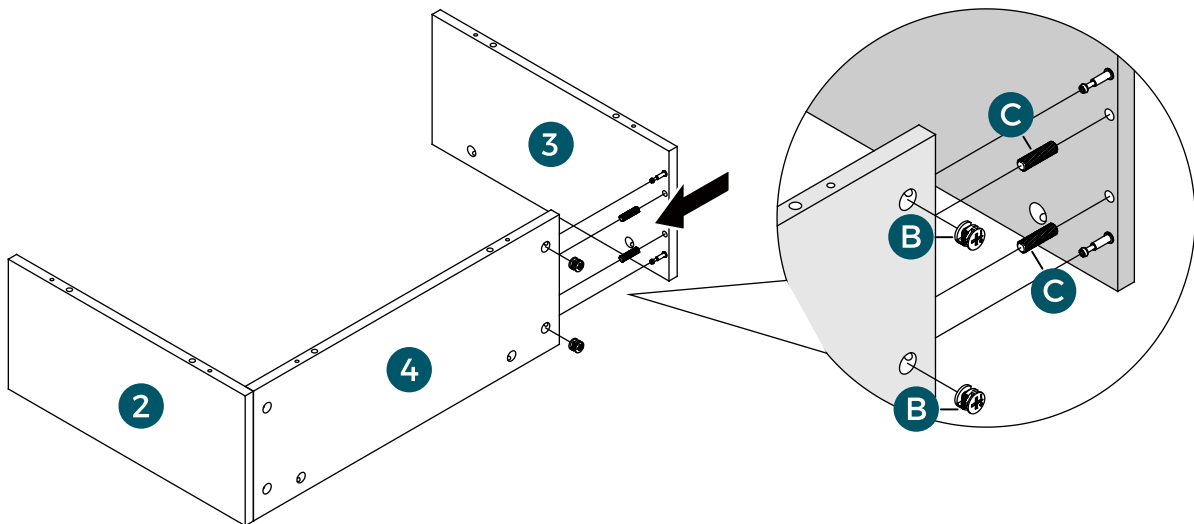
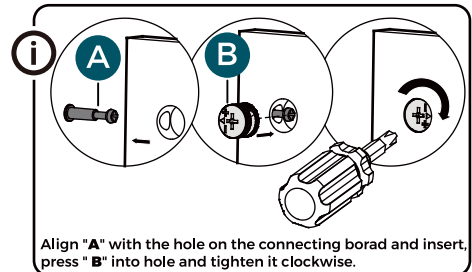
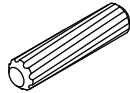
Caution: Inappropriate installation of screws will cause damages to the product!

Step 3

B x 2pcs

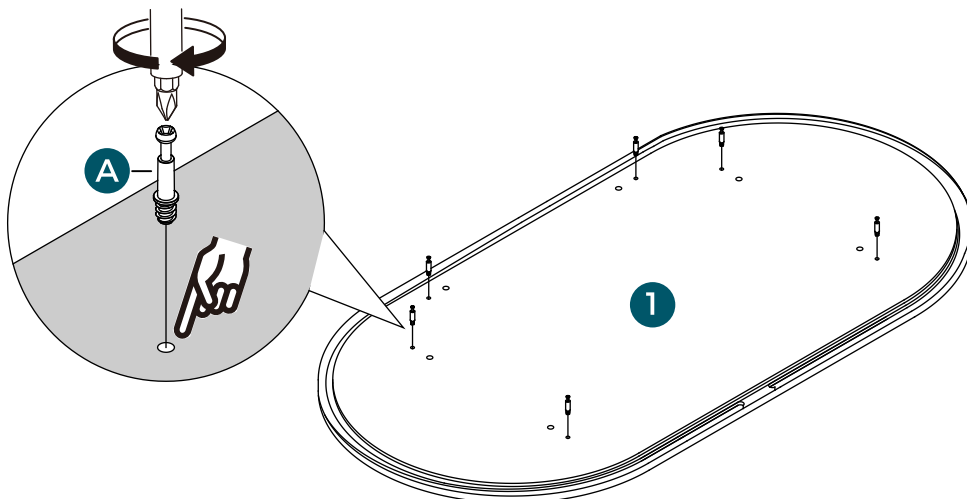
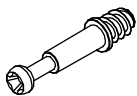


C x 2pcs



Step 4

A x 6pcs



Assembly Instructions

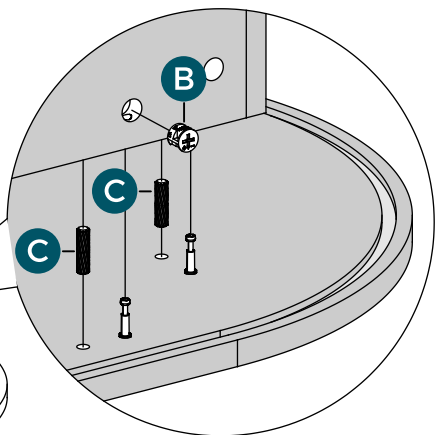
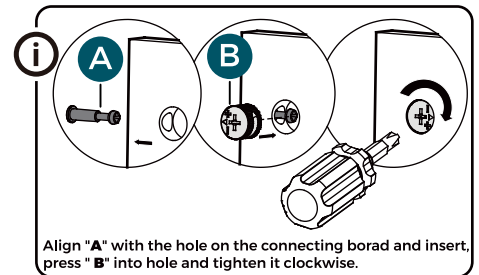
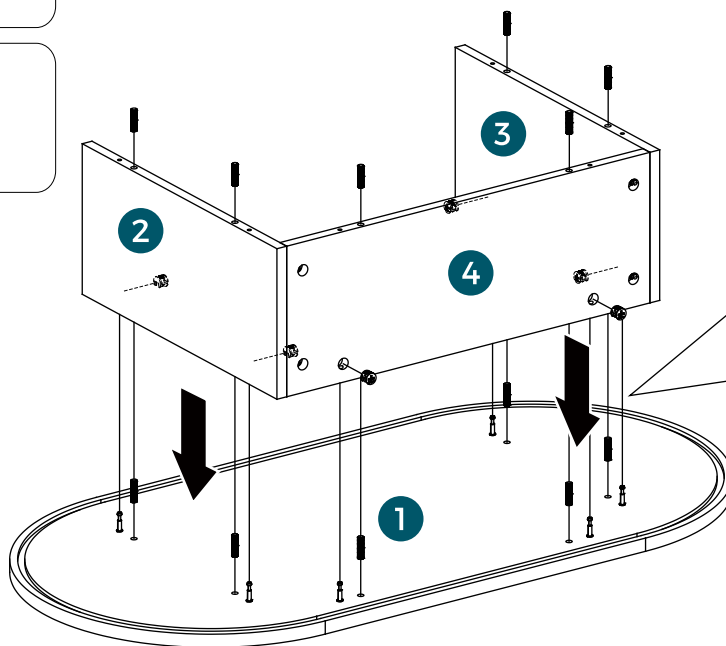
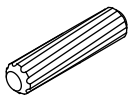
Caution: Inappropriate installation of screws will cause damages to the product!

Step 5

B x 6pcs

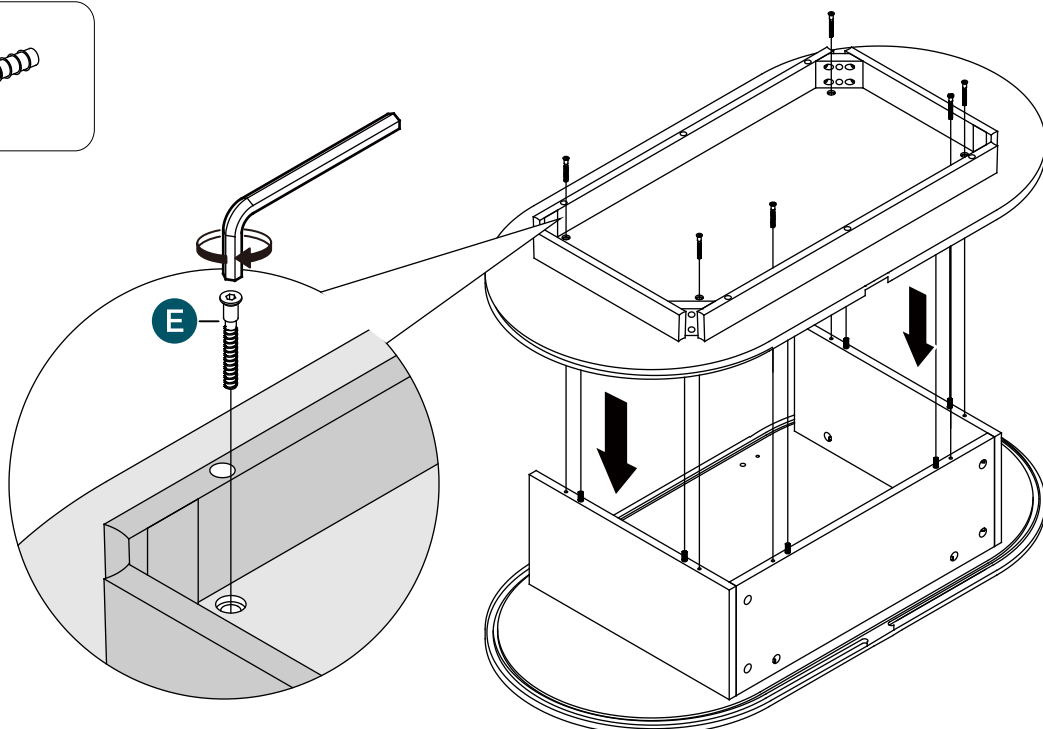
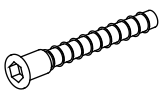


C x 12pcs



Step 6

E x 6pcs

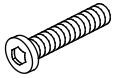


Assembly Instructions

Caution: Inappropriate installation of screws will cause damages to the product!

Step 7

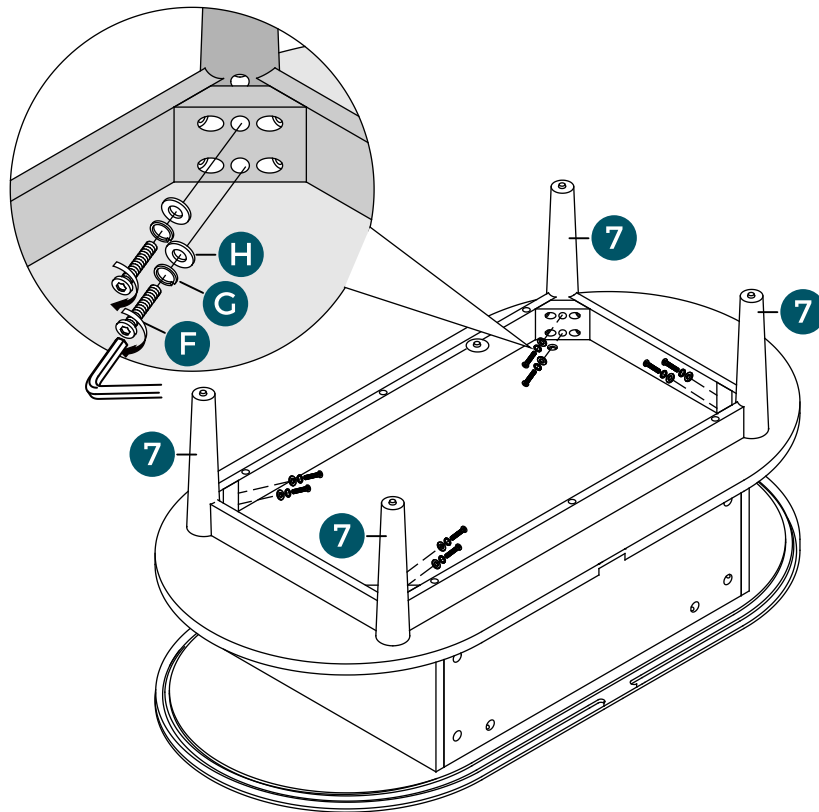
F x 8pcs



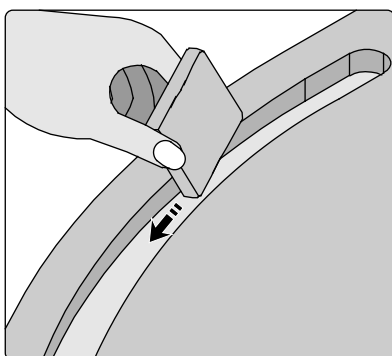
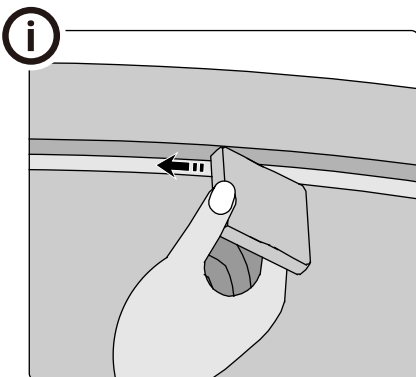
G x 8pcs



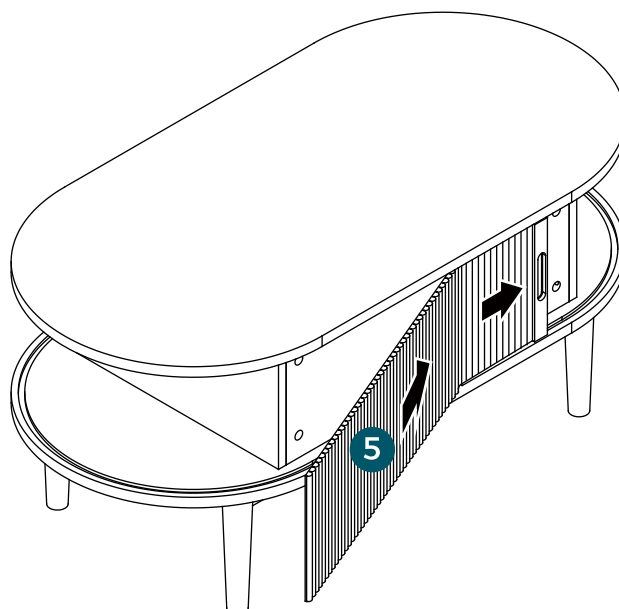
H x 8pcs



Step 8



i Please clean the track groove with a sponge first, after that install the door panel.

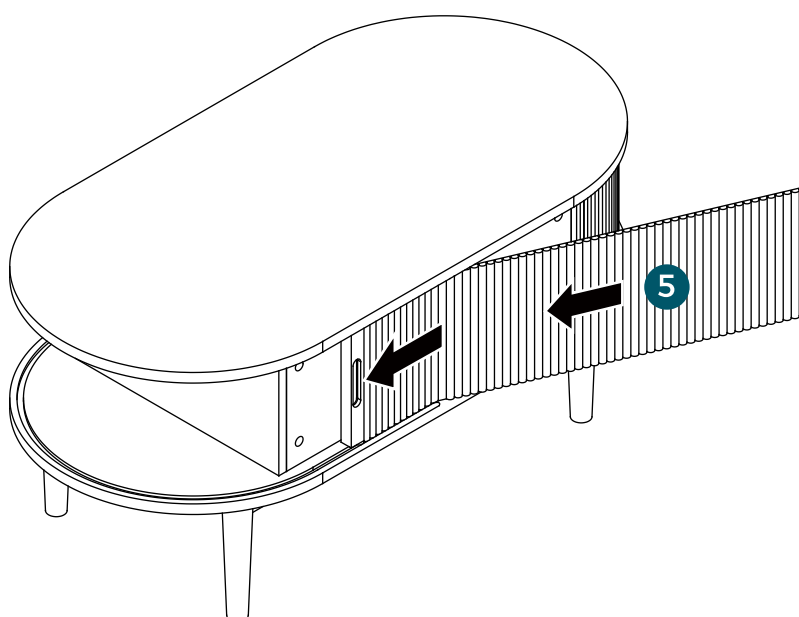


Assembly Instructions

Caution: Inappropriate installation of screws will cause damages to the product!

Step 9

i Repeat the previous step and install another door panel.



Step 10

