



ROOM AIR CONDITIONER Use and Care Guide

For questions about features, operation/performance, parts, or service, call: **1-800-207-1156**.
In Canada, for assistance, installation, or service, call: **1-800-207-1156**.

Table of Contents

AIR CONDITIONER SAFETY	2
INTRODUCTION TO REFRIGERANTS R32	3
INSTALLATION REQUIREMENTS	4
Electrical Requirements - All Models	4
Electrical Requirements - 230 V Models Model BTUs - 18000, 24000	4
Recommended Grounding Method.....	4
Power Supply Cord - All Models	5
Tools Required - All Models	5
Parts Supplied: 18,000-24,000 BTU Models	5
Location Requirements - Window Installation	5
Window Opening Measurements	6
Prepare Window Opening.....	6
Preparing Window with Storm Window or Other Obstruction	6
WINDOW INSTALLATION INSTRUCTIONS - 18,000-24,000 BTU MODELS	7
Prepare Air Conditioner for Installation	7
Install Top Channel and Side Bracket	8
Install Air Conditioner in Window	8
Install Support Brackets	9
Install the Chassis into the Cabinet	10
Extend Side Panels	10
Install Window Lock and Sash Seal	10
WALL INSTALLATION INSTRUCTIONS - 18,000-24,000 BTU MODELS	11
Additional Tools Required.....	11
Selecting a Wall Installation Site.....	11
Preparing the Wall Installation Site.....	11
Prepare and Install the Cabinet	12
Masonry Construction	12
USING AIR CONDITIONER	13
Turning on the Air Conditioner	13
Selecting the Mode	13
Features.....	13
Selecting the Fan Speed	13
Adjusting the Temperature	13
Using the Timer.....	14
Changing Air Direction	14
Normal Operating Sounds	14
Clean Filter Reminder	14
Using the Remote Control	15
Replacing the battery	15
AIR CONDITIONER CARE	16
Air Filter Removal - Top Insert	16
Air Filter Removal - Side Insert	16
Cleaning the Air Filter	16
Cleaning the Front Panel	16
Repairing Paint Damage	16
Winter Storage	16
TROUBLESHOOTING	17
ASSISTANCE OR SERVICE	18
XLS PRODUCTS WARRANTY FOR WHIRLPOOL® AIR CONDITIONERS	19

Model:
WHHW182BW
WHHW232BW

®/™ ©2024 Whirlpool. All rights reserved. Manufactured under license by XLS Products, Pennsylvania. Limited warranty provided by XLS Products.
Tous droits réservés. Fabriqué sous licence par XLS Products, Pennsylvanie. Garantie limitée fournie par XLS Products.
Todos los derechos reservados. Fabricado bajo licencia por XLS Products, Pennsylvania.

AIR CONDITIONER SAFETY

Your safety and the safety of others is very important.

We have provided many important safety messages in this manual and on your appliance. Always read and obey all safety messages.



This is the safety alert symbol.

This symbol alerts you to potential hazards that can kill or hurt you and others.

All safety messages will follow the safety alert symbol and either the word "DANGER" or "WARNING."

These words mean:

⚠ DANGER

You can be killed or seriously injured if you don't immediately follow instructions.

⚠ WARNING

You can be killed or seriously injured if you don't follow instructions.

All safety messages will tell you what the potential hazard is, tell you how to reduce the chance of injury, and tell you what can happen if the instructions are not followed.



IMPORTANT SAFETY INSTRUCTIONS

WARNING: To reduce the risk of fire, electric shock, or injury when using your air conditioner, follow these basic precautions:

- Plug into a grounded 3 prong outlet.
- Do not remove ground prong.
- Do not use an adapter.
- This appliance is not intended for use by people (including children) whose physical, sensory or mental capacities are different or impaired or who lack the necessary experience or knowledge/expertise to do so, unless such persons are supervised or are trained to operate the appliance by a person who accepts responsibility for their safety.
- Do not use an extension cord.
- Unplug air conditioner before servicing.
- Use two or more people to move and install air conditioner.
- Do not drink water collected in the water bucket.
- Children should be supervised to ensure that they do not play with the appliance.

SAVE THESE INSTRUCTIONS

INTRODUCTION TO REFRIGERANTS R32

The refrigerants used in our air conditioners are environmentally safe hydrocarbons. This kind of refrigerant is odorless and combustible, meaning it can burn and explode under certain circumstances. However, there is no danger of burning or exploding if you comply with the below table when installing your air conditioner in a room with an appropriate area and use it correctly.

Compared to ordinary refrigerants, Refrigerant R32 is environmentally friendly, does not destroy the ozone, and has a very little value of greenhouse effect.

Room area requirements for air conditioner with Refrigerant R32

Refrigerant	Capacity(Btu)	Room Area
R32	≤9K/12K	Above 4m ² (43 sq.ft)
	≤18K	Above 15m ² (161 sq.ft)
	≤24K	Above 25m ² (269 sq.ft)

WARNING

- Please read the manual before installation, operation, and maintenance.
- Do not use means to accelerate the defrosting process or to clean, other than those recommended by the manufacturer.
- Do not pierce or burn the appliance.
- The appliance must be stored in a room without continuously operating ignition sources (for example: open flames, an operating gas appliance) and ignition sources (for example: an operating electric heater) close to the appliance.
- Please contact the nearest after-sale service center when maintenance is necessary. At the time of maintenance, the maintenance personnel must strictly comply with the Operation Manual provided by the corresponding manufacturer and any non-professional is prohibited to maintain the air conditioner.
- It is necessary to clear away the refrigerant in the system before maintaining or scrapping an air conditioner. Be aware the refrigerant may not contain an odor and is flammable.
- Unit operation limits: Outdoor side 61~110°F, 80%RH; indoor side 61~90°F, 80%RH.
- Keep ventilation openings clear of any obstruction.
- Any person who is involved with working on or breaking into a refrigerant circuit should hold a current valid certificate from an industry-accredited assessment authority, which monitors their competence to handle refrigerants safely in accordance with an industry recognized assessment specification.

INSTALLATION REQUIREMENTS

Electrical Requirements—All Models

⚠ WARNING



Electrical Shock Hazard

Plug into a grounded 3 prong outlet.

Do not remove ground prong.

Do not use an adapter.

Do not use an extension cord.

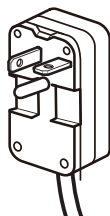
Failure to follow these instructions can result in death, fire, or electrical shock.

The electrical ratings for your air conditioner are listed on the model and serial number label. The model and serial number label is located on the right-hand side of the air conditioner cabinet.

Specific electrical requirements are listed in the “Electrical Requirements” sections. Follow the requirements for the type of plug shown in these sections.

Electrical Requirements— 230 V Models

Model BTUs – 18,000; 24,000



- 230 V (208 min. - 240 max.)
- If there is a “Single Circuit Only” label on the unit, use on a dedicated single-outlet circuit only.
- If a dedicated single-outlet circuit is not available, then it is the customer’s responsibility to have a single-outlet circuit installed by a qualified electrician.
- If there is no “Single Circuit Only” label on the unit, the unit may be used on any branch circuit of correct voltage and adequate current protection rating.

Recommended Grounding Method

This air conditioner must be grounded. This air conditioner is equipped with a power supply cord having a grounded 3 prong plug. To minimize possible shock hazard, the cord must be plugged into a mating, grounded 3 prong outlet, grounded in accordance with all local codes and ordinances. If a mating outlet is not available, it is the customer’s responsibility to have a properly grounded 3 prong outlet installed by a qualified electrical installer. It is the customer’s responsibility:

- To contact a qualified electrical installer.
- To assure that the electrical installation is adequate and in conformance with National Electrical Code, ANSI/NFPA 70—latest edition, and all local codes and ordinances.

Copies of the standards listed may be obtained from:

National Fire Protection Association
1 Batterymarch Park
Quincy, MA 02269

Power Supply Cord—All Models

⚠ WARNING



Electrical Shock Hazard

Plug into a grounded 3 prong outlet.

Do not remove ground prong.

Do not use an adapter.

Do not use an extension cord.

Failure to follow these instructions can result in death, fire, or electrical shock.

Power Supply Cord – All Models

NOTE: Your air conditioner's power supply cord may differ from those shown.

This air conditioner is equipped with a power supply cord required by UL. This power supply cord contains state-of-the-art electronics that sense leakage current. If the cord is crushed, the electronics detect leakage current and power will be disconnected in a fraction of a second.

To test your power supply cord:

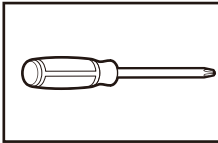
1. Plug power supply cord into a grounded 3 prong outlet.
2. Press RESET (on some models, a green light will turn on).
3. Press TEST (listen for click; Reset button will trip, and on some devices, a green light will turn off).
4. Press and release RESET (listen for click; Reset button will latch, and on some devices, a green light will turn on). The power supply cord is ready for operation.

NOTES:

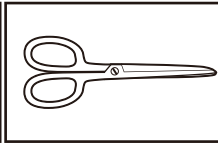
- The Reset button must be pushed in for proper operation.
- The power supply cord must be replaced if it fails to trip when the test button is pressed or fails to reset.
- Do not use the power supply cord as an off/on switch. The power supply cord is designed as a protective device.
- A damaged power supply cord must be replaced with a new power supply cord obtained from the product manufacturer and must not be repaired.
- The power supply cord contains no user-serviceable parts. Opening the tamper-resistant case voids all warranty and performance claims.

Tools Required – All Models

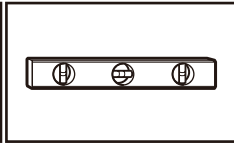
Gather the required tools and parts before starting installation. Read and follow the instructions provided with any tools listed here.



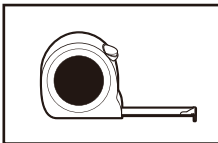
Phillips screwdriver



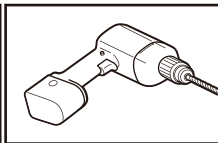
Scissors



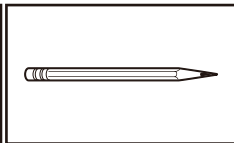
Level



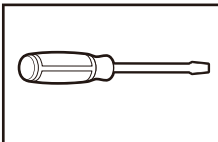
Tape measure



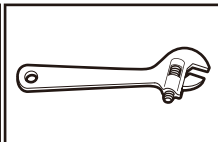
Cordless drill and 1/8" bit



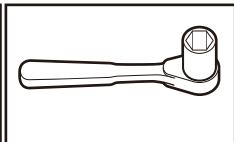
Pencil



Flathead screwdriver



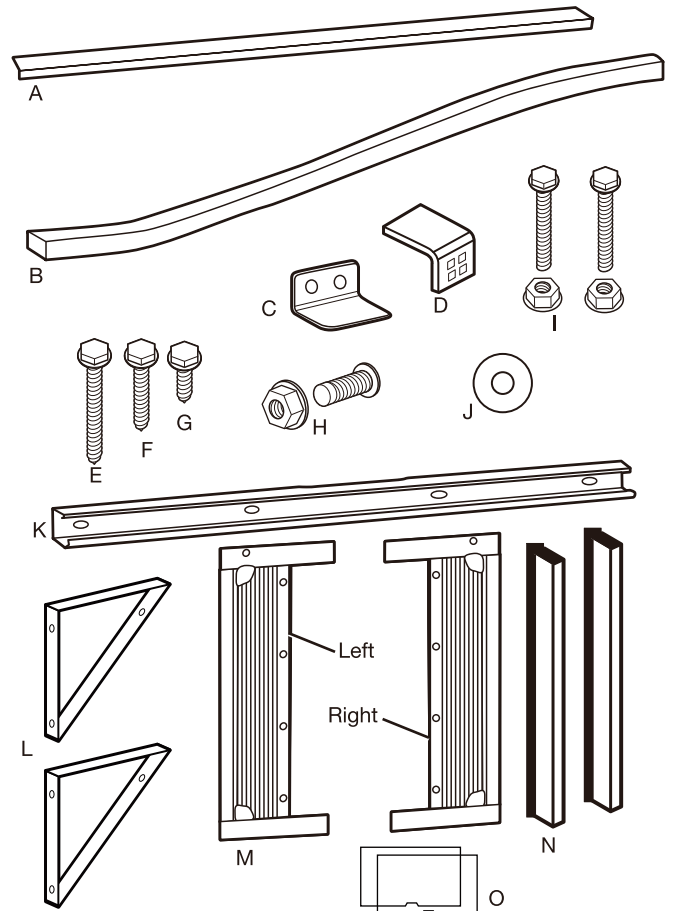
Adjustable wrench or pliers



Socket wrench

Parts Supplied – 18,000-24,000 BTU Models

Check that all parts are included in parts package.



- A. Foam seal with adhesive strip
- B. Foam seal without adhesive strip
- C. Window lock
- D. Sill angle bracket x 2
- E. 5/8" pan-head screw x 4
- F. 1/2" pan-head screw x 2
- G. 5/16" pan-head screw x 10
- H. 5/8" flathead bolt with locknut x 2
- I. 1/2" flathead bolt with locknut x 4
- J. Washer x 2
- K. Top channel (appearance may vary)
- L. Window support
- M. bracket x 2
- N. Side panels x 2
- O. Side retainers x 2
- Other: Panel Seal (Adhesive) x 2
AAA batteries x 2

Location Requirements – Window Installation

IMPORTANT: Observe all governing codes and ordinances.

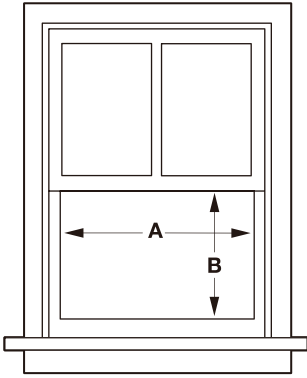
Check the location where the air conditioner will be installed. Make sure you have everything necessary for the correct installation.

The location should provide:

- Grounded electrical outlet within 4.9 ft (150 cm) of where the power cord exits the air conditioner. Do not use an extension cord.

- Free movement of air in the room to be cooled.
 - A large enough opening for the air conditioner. Installation parts are supplied for double-hung windows.
- NOTE:** The air conditioner can be installed without the side panels to fit in a narrow window opening.
- Adequate wall support for the room of air conditioner.
 - Wood Studs, masonry, or metal to secure to supporting parts.
- NOTE:** Cabinet louvers must not be obstructed. Air must be able to pass freely through the cabinet louvers.

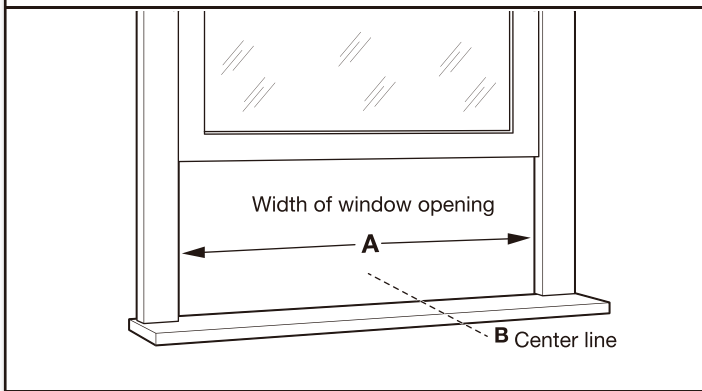
Window Opening Measurements



Model BTUs	Width (A)	Minimum Opening (B)
18,000	28"–41" (71.1 cm–104.2 cm)	19" (48.3 cm)
24,000	30"–41" (76.2 cm–104.2 cm)	19½" (49.5 cm)

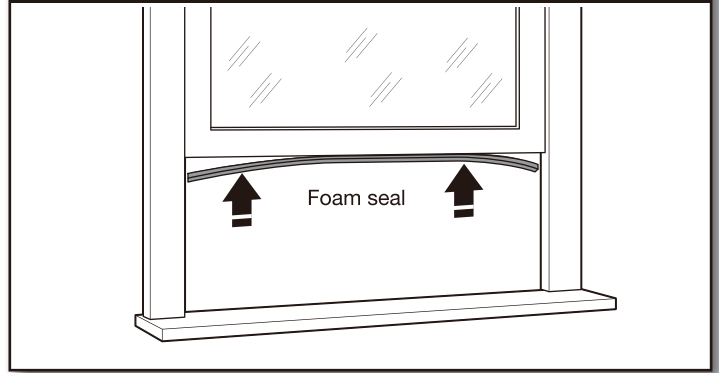
Prepare Window Opening

1. Measure and mark center line



Measure the width of the window opening (A). Mark the center line (B) of the window on the inside windowsill.

2. Attach upper foam seal



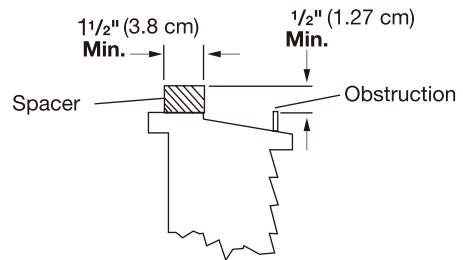
Attach the foam seal with adhesive strip to the bottom of the window sash.

Preparing Window with Storm Window or Other Obstruction

Follow the steps in "Prepare Window Opening". If possible, remove the storm window frame or other obstruction.

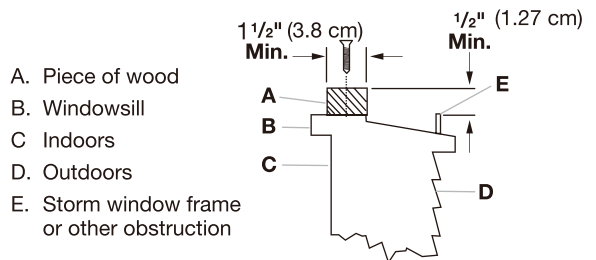
If the storm window frame or obstruction CANNOT be removed, a wood spacer will be required to ensure that the air conditioner slopes to the outside. This will allow condensation and rainwater to drain away. Make sure that drain holes or slots are not caulked or painted shut.

1. Measure size of spacer needed



Using a level and measuring tape, determine thickness of wood spacer needed to allow the air conditioner to slope downward slightly to the outdoors. The block should provide at least 1/2" (1.27 cm) of height above the obstruction.

2. Place block on windowsill



- A. Piece of wood
- B. Windowsill
- C. Indoors
- D. Outdoors
- E. Storm window frame or other obstruction

Place wood spacer on windowsill. Spacer should be at least the full width of the air conditioner cabinet. Secure the wood spacer to the windowsill.

WINDOW INSTALLATION INSTRUCTIONS— 18,000-24,000 BTU MODELS

Prepare Air Conditioner for Installation

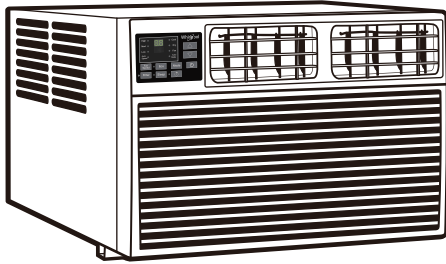
! WARNING

Excessive Weight Hazard

Use two or more people to move and install air conditioner.

Failure to do so can result in back or other injury.

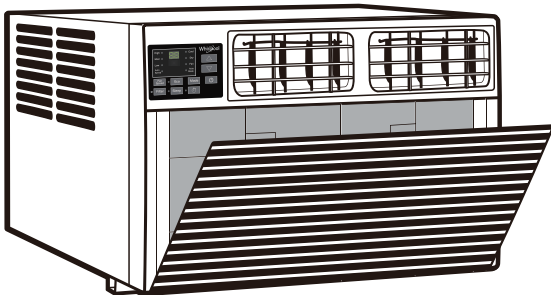
1. **Unpack the Air Conditioner**



Remove Packaging Materials:

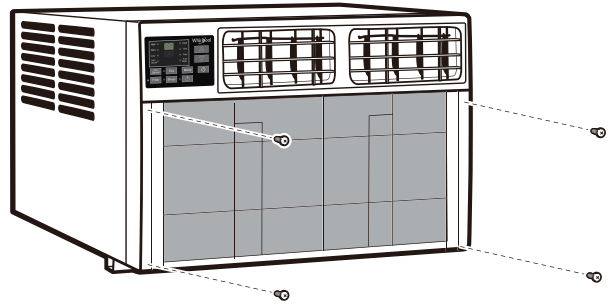
- Gently handle the air conditioner while unpacking the unit.
- Place the air conditioner on a hard, flat surface.
- Remove tape and glue residue from surfaces before turning ON the air conditioner. Rub a small amount of liquid dish soap over the adhesive with the fingers. Wipe with a damp cloth and dry.
- Do not use sharp instruments, rubbing alcohol, flammable fluids, or abrasive cleaners to remove tape or glue. These products can damage the surface of the air conditioner.
- Remove any packaging materials inserted into the side louvers.
- Dispose of/recycle packaging materials in an appropriate way.

2. **Remove filter and front panel**



Pull down the front panel and remove the filter. Lift the front panel upwards and remove from the air conditioner. Place to the side.

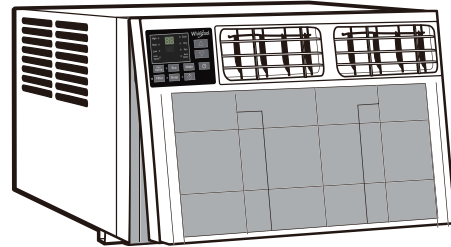
3. **Remove faceplate screws**



Remove the four faceplate screws.

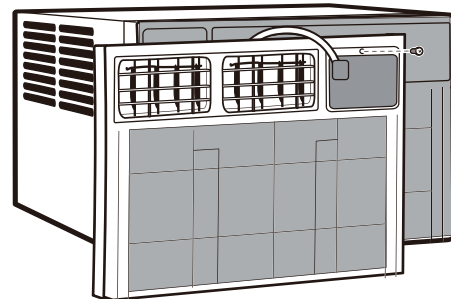
NOTES: The faceplate screws must be reinstalled before mounting the air conditioner.

4. **Remove faceplate**



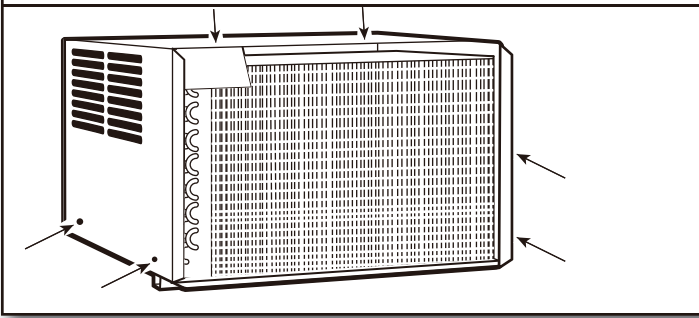
Gently remove the faceplate from the air conditioner cabinet.

5. **Remove control panel screw**



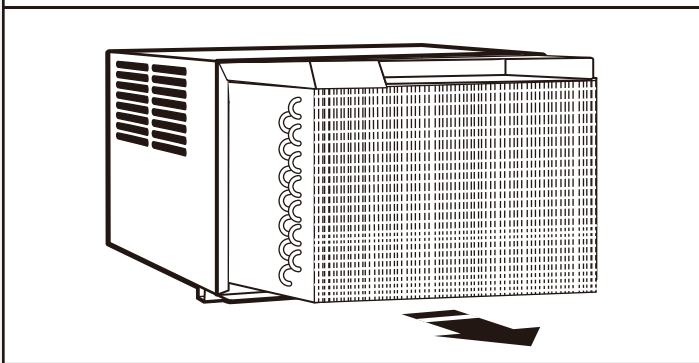
Remove the control panel two screws from the front panel.

6. Remove side screws



Remove six screws from the top side and left-right side of the cabinet.

7. Remove chassis

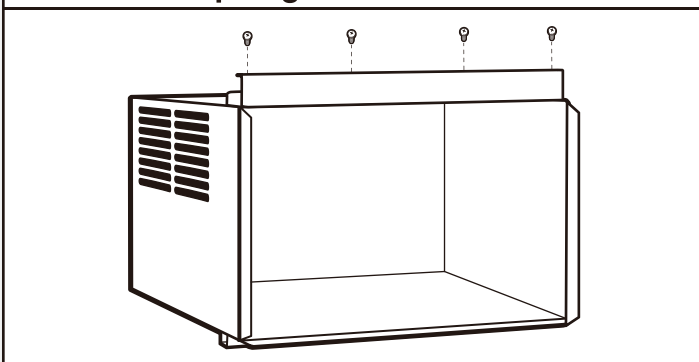


IMPORTANT: To avoid damage, do not pull or lift near the top of the unit.

Hold the cabinet while pulling on the base handle to carefully remove the unit.

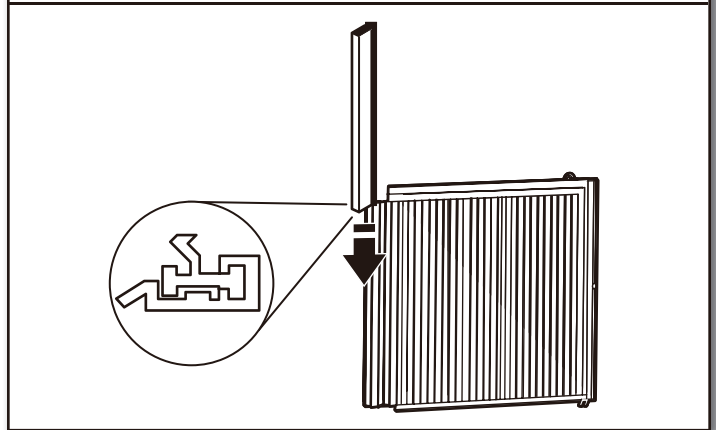
Install Top Channel and Side Bracket

1. Install top angle channel



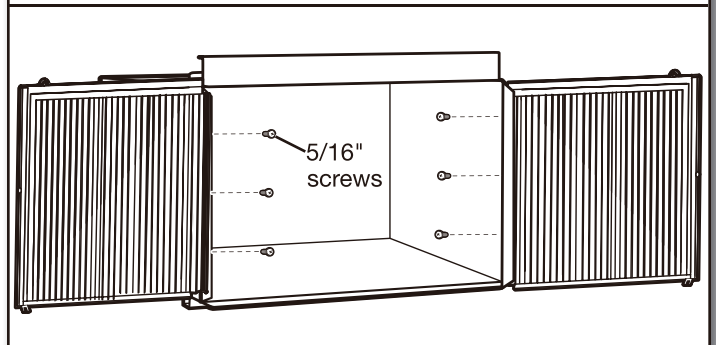
Attach the top angle channel to the cabinet with four 5/16" hex-head screws.

2. Slide in side panels



Slide the "I" section of the window panel into the side bracket of the cabinet. Do this for both sides.

3. Attach side panels



Insert the top and bottom legs of the window filler panel frame into the top angle channel and bottom channel. Secure with 5/16" screws. Repeat on the other side and install side retainer into cabinet.

Install Air Conditioner in Window

! WARNING

Excessive Weight Hazard

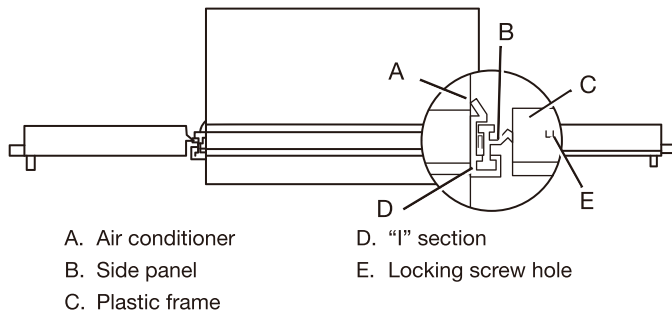
Use two or more people to move and install air conditioner.

Failure to do so can result in back or other injury.

IMPORTANT:

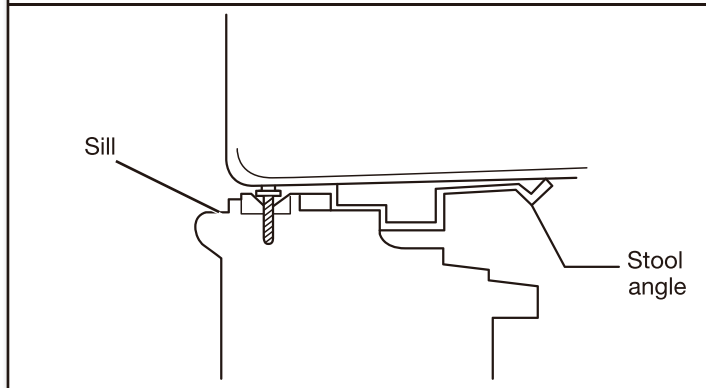
- Be sure your air conditioner does not fall out of the opening during installation or removal.
- The place where the power cord exits the air conditioner should be no more than 4.9 ft (150 cm) from a grounded outlet.
- To maximize cooling efficiency and air circulation, do not block the air intake or discharge louvers in the front panel.
- To reduce cycling on and off of the compressor and reduce the risk of freezing up or damage to the unit, do not block the louvers on the outside of the air conditioner.

1. Position air conditioner in window



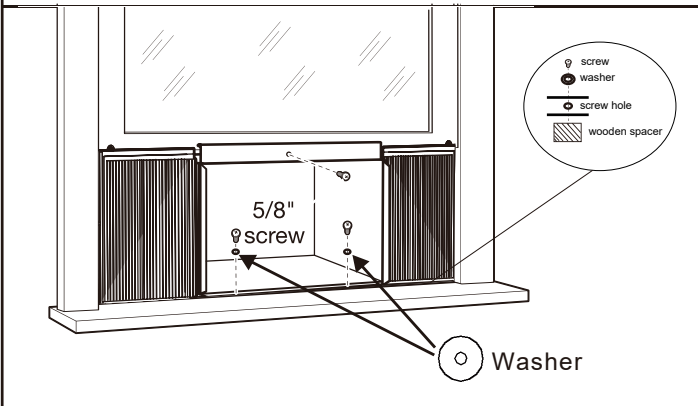
Using two or more people, place the air conditioner frame into the window opening so the bottom of the air conditioner frame is against the window sill.

2. Close window



Make sure the bottom channel is seated over the window sill as shown. Bring the window down temporarily behind the top angle channel to hold the cabinet in place. Tilt the back of the unit slightly downward to allow accumulated rain water to drain out.

3. Secure cabinet

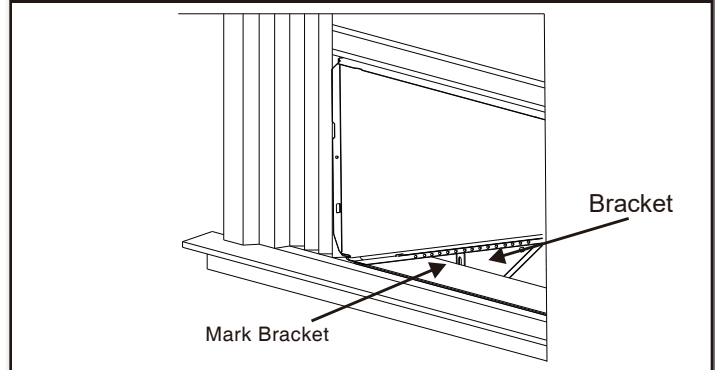


NOTE: If necessary, pre-drill holes in windowsill. Fasten the cabinet to the windowsill using two 5/8" hex-head screws. Fasten the screw through the wooden spacer which mentioned on page 6, under the section "Preparing Window with Storm Window or Other Obstruction". For 24,000 BTU models, use the two provided washers with the 5/8" screws in order to protect the cabinet.

Install Support Brackets

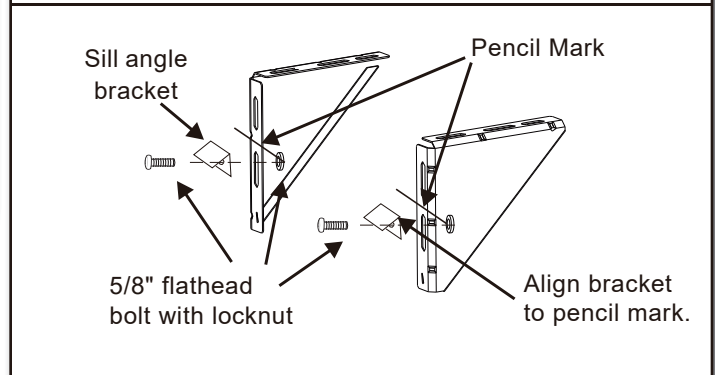
NOTE: Attach curtains to the air conditioner cabinet before placing the air conditioner in window.

1. Mark bracket location



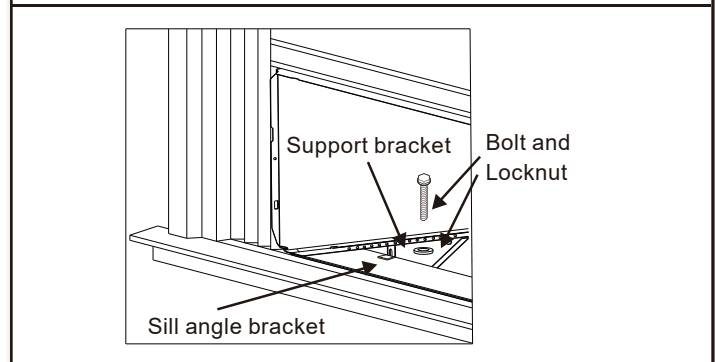
Hold each support bracket flush against the outside of the window sill. Tighten each bracket to the bottom of the cabinet with 1/2" flathead bolt with locknut. With a pencil, mark the bracket where the top of the window sill meets the bracket. Remove the brackets.

2. Assemble brackets



Attach the sill angle brackets to the support brackets with 5/8" flathead bolt with locknut as shown. Hand tighten screws loosely to accommodate changes that may be required later in installation.

3. Attach assembled brackets



Attach the support brackets (with sill angle brackets attached) to the bottom of the cabinet with 1/2" flathead bolt with locknut shown. Ensure the sill angle brackets sit on top of the window sill as shown. Tilt the back of the unit slightly downward to allow accumulated rain water to drain out. Tighten all six bolts securely.

Install the Chassis into the Cabinet

⚠ WARNING

Excessive Weight Hazard

Use two or more people to move and install air conditioner.

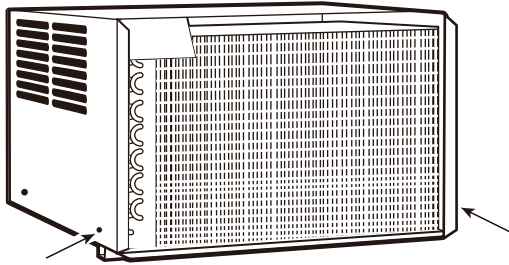
Failure to do so can result in back or other injury.

1. Reinsert air conditioner chassis

IMPORTANT: To prevent damage to the unit, do not push on the controls or finned coils.

Using two people, lift the air conditioner chassis and carefully slide it into the cabinet. Be sure the chassis is firmly seated in the back of the cabinet.

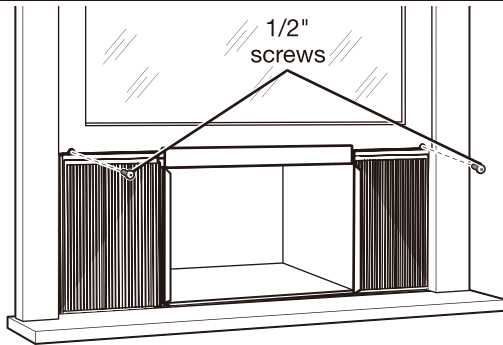
2. Reassemble air conditioner



Reinstall the front two screws between the cabinet and chassis as shown. Reattach the front faceplate, front panel, and air filter. Refer to the "Prepare Air Conditioner for Installation" section for more information.

Extend Side Panels

1. Loosen locking screws

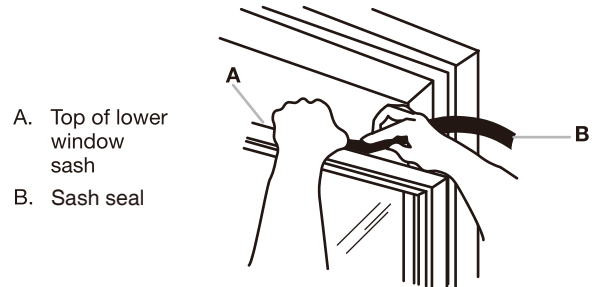


Extend the side panel and panel frame. Fasten the side panel with two 1/2" hex-head screws both left and right to window frame.

Install Window Lock and Sash Seal

NOTE: Attach curtains to the air conditioner cabinet before placing the air conditioner cabinet in window.

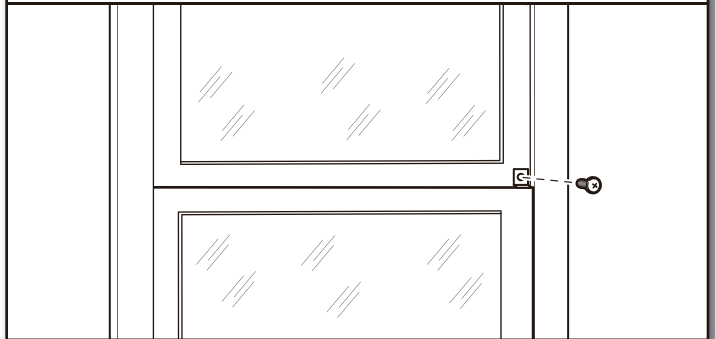
1. Insert sash seal



- A. Top of lower window sash
- B. Sash seal

Trim the sash seal to fit the width of the window. Insert the sash seal into the space between the upper and lower sashes.

2. Attach right angle safety lock



Attach the right angle window lock with a 5/8" hex-head screw.

WALL INSTALLATION INSTRUCTIONS — 18,000-24,000 BTU MODELS

Additional Tools Required

Gather the required tools and parts before starting installation. Read and follow the instructions provided with any tools listed here.

- Wood frame
- Shims
- 10 wood screws – 1" (2.54 cm) long minimum

Selecting a Wall Installation Site

The air conditioner has a slide-out chassis so that it can be installed through an outside wall.

Max wall thickness: 8" (20.32 cm)

IMPORTANT: In order to ensure proper airflow, the side louvers must never be blocked.

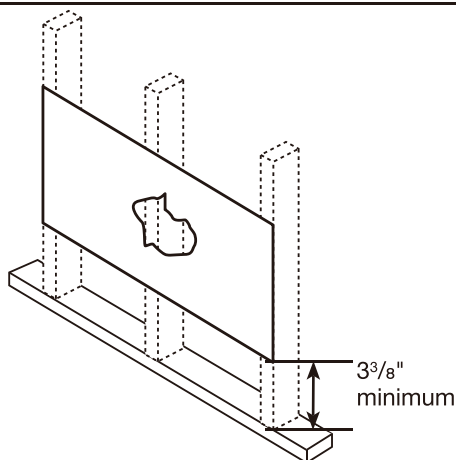
Wall requirements:

- Allows unblocked airflow from the rear and sides of the air conditioner
- Located near existing electrical outlets or where another outlet can or will be installed
- Does not support major structural loads, such as the frame construction at ends of windows, under truss-bearing points, etc.
- Does not have plumbing or wiring inside
- Does not have objects blocking the air vents
- The distance between the unit and the electrical outlet should be within 4.9 ft (150 cm)

Preparing the Wall Installation Site

The air conditioner has a slide-out chassis, so that it can be installed through an outside wall. Prepare the wall in-frame construction (including brick and stucco veneer).

1. Cut a hole on sides of center stud



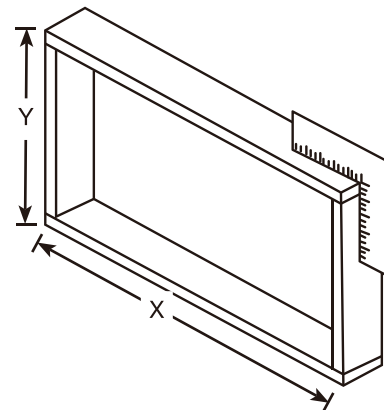
Working from inside the room, find the wall stud that is nearest to the center of the installation area. Cut a hole on each side of the center stud, leaving at least 3³/₈" (8.57 cm) below the hole.

Using the below table to find installation dimensions, measure between the inside edges of every other stud.

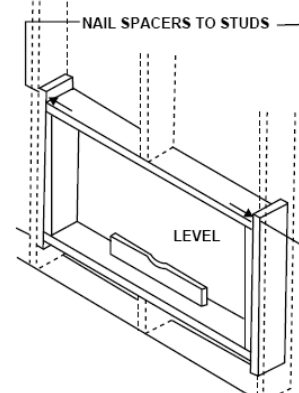
Width X = inside model plus twice the thickness of the framing material used.

Height Y = inside model height plus twice the thickness of the framing material used.

	18K model	24K models
Inside-frame height	18 ¹ / ₄ " (46.4 cm)	19 ¹ / ₂ " (49.5 cm)
Inside-frame width	23 ⁷ / ₈ " (60.6 cm)	26 ⁹ / ₁₀ " (68.3 cm)



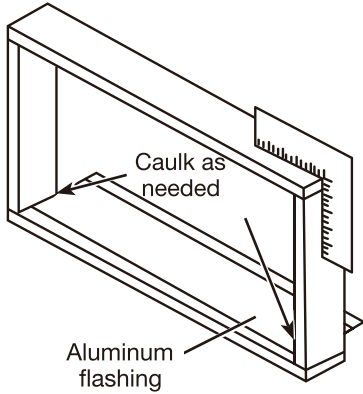
2. Build frame



Build a wooden frame with the inside dimensions of your model listed above. The frame depth should be the same as the wall thickness. Fill in extra space from the opening to the studs with wood spacers as shown.

Nail the spacers to the studs. They should be flush with the drywall.

NOTE: If the wall thickness is 8½" (21.59 cm) or more, add aluminum flashing over the bottom of the frame opening to assure water is unable to enter the area between the inner and outer wall.



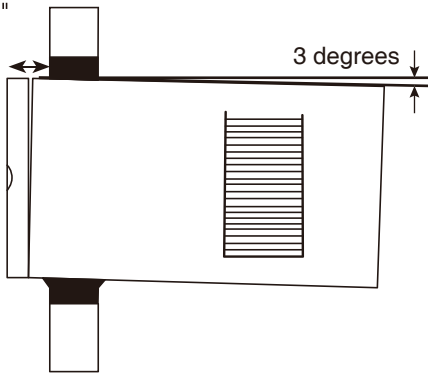
Prepare and Install the Cabinet

1. Remove chassis

Slide the chassis from the cabinet. See the "Prepare Air Conditioner for Installation" section for more details.

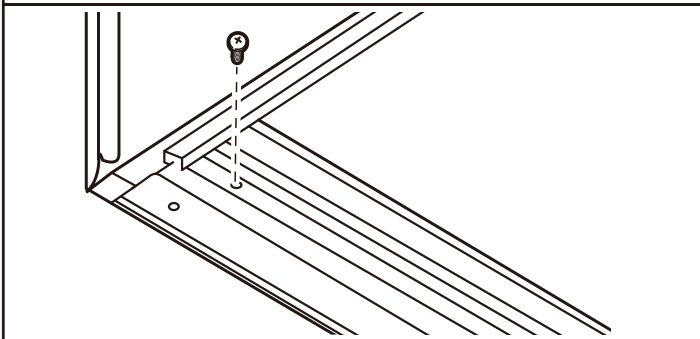
2. Place and position cabinet

Gap size 5/16" to 3/8"



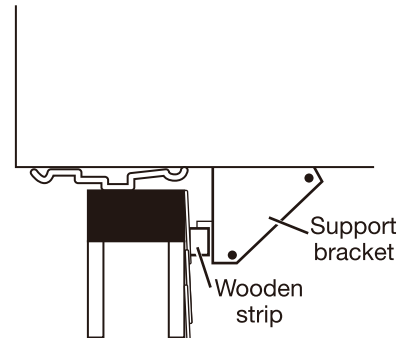
Place the cabinet into the opening with the bottom channel resting firmly on the bottom rail of the wood frame. Position the cabinet so it is properly tilted for water removal.

3. Secure bottom channel to frame



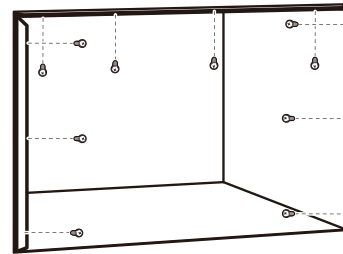
Secure the bottom channel to the wood frame with two large 1" (2.5 cm) wood screws.

4. Place and position cabinet



Assemble brackets. See "Install Support Brackets" in the "Window Installation" section. Nail a wooden strip to the outside wall to be used in conjunction with the angled sill support brackets.

5. Secure cabinet and install chassis



Screw or nail the cabinet to the wooden frame using shims if the frame is oversized to eliminate possible noise. Remember to maintain proper slope for water elimination.

Reinstall the chassis into the cabinet. See the "Install the Chassis into the Cabinet" section.

Masonry Construction

1. Cut or build a wall opening in the masonry wall similar to the frame construction. See the "Wall Installation Instructions – 240 V Models" section for a wall thickness greater than 8½" (21.59 cm).
2. Secure the cabinet in place using masonry nails or masonry anchor screws. Or build a frame using the instructions found in the "Wall Installation Instructions – 240 V Models" section.
3. Make sure the masonry above the cabinet is supported well. Use the existing holes in the cabinet or additional drilled holes to fasten the cabinet at various positions. Make sure that the side louvers are clear of any obstructions.
4. Install the exterior cabinet support brackets according to "Prepare and Install the Cabinet" in the "Wall Installation Instructions – 240 V Models" section. Caulk or flash with aluminum if needed. This will provide a tight seal around the top and sides of the cabinet.
5. For a more aesthetically pleasing installation, apply wood trim molding around the sides of the cabinet without obstructing the side louvers.

USING AIR CONDITIONER



Operating the air conditioner properly helps you to obtain the best possible results.

This section explains proper air conditioner operation.

IMPORTANT:

- If you turn OFF the air conditioner, wait at least 3 minutes before turning it back on. This is to avoid the air conditioner from blowing a fuse or tripping a circuit breaker.
- Do not try to operate the air conditioner in the Cool mode when the outside temperature is below 65°F (18°C). The inside evaporator coil will freeze up, and the air conditioner will not operate properly.

NOTE: In the event of a power failure, the air conditioner will operate at the previous settings when the power is restored.

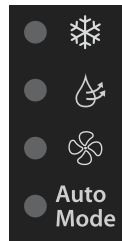
Turning on the Air Conditioner

1. Press POWER to turn ON the air conditioner.
2. Press POWER again to turn OFF the air conditioner.



Selecting the Mode



1. Press MODE button to cycle through the various modes.
2. Choose modes: Cool, Dry, or Fan.
 - (❄️) **Cool** : The cooling function allows the air conditioner to cool the room and at the same time reduces air humidity. Press the MODE button to activate the cooling function. Press the up or down arrow button to adjust the temperature.
 - (💧) **Dry** : This function reduces the humidity of the air to make the room more comfortable. Press MODE button to set the DRY mode. An automatic function of alternating cooling cycles and ventilation is activated.
 - (🌀) **Fan** : In this mode, only the fan runs to provide ventilation. Press MODE button to set the FAN mode. Press (FAN SPEED) to select High, Med, or Low. The remote contro



NOTE: After 5 seconds, the display will show the current room temperature.

- (Auto Mode): In AUTO mode, the unit automatically chooses the fan speed and the mode of operation (COOL, HEAT, DRY or FAN). In this mode, the fan speed and the temperature are set automatically according to the room temperature (tested by the temperature sensor which is incorporated in the indoor unit).
- (🔥) **Heat**: The heating function allows the air conditioner to heat the room. Press the MODE button to activate the heating function. To optimize the function of the air conditioner, adjust the temperature and the fan speed.

Features

- (🌿) **ECO**: Conserves energy by turning off compressor when the room reaches the desired temperature. The fan motor will run for 1 minute, stop for 5 minutes, then run again. The compressor will turn back on when the room temperature rises above the set temperature. Press ECO to turn Eco feature on and off. When the unit is in Eco mode, the light will turn on. 
- (🛏️) **SLEEP**: Automatically adjusts the temperature (SLEEP) and fan speed to make the room more comfortable during the night. Press and hold the (SLEEP) button until the sleep light turns on. All other lights will turn off. The set temperature will automatically increase by 1 degree every 30-60 minutes. At the end of the sleep cycle, the temperature will switch back to the originally set temperature. 

Selecting the Fan Speed

1. Press FAN SPEED button until the LED indicator for the desired setting is lit.
2. Choose Low, Med, or High.
 - (🌀) Low—Low fan speed
 - (🌀) Med—Normal fan speed
 - (🌀) High—Maximum fan speed

NOTES:

- Auto fan speed and temperature cannot be selected in Fan Only mode.
- In SLEEP modes, Auto fan speed is selected automatically.



Adjusting the Temperature

Press the up arrow button to increase the set temperature.




Press the down arrow button to decrease the set temperature.





Using the Timer

Delayed Shutoff:

Use the  (TIMER) button to set the air conditioner to turn off automatically after 0.5 to 24 hours delay (the air conditioner must be on):






1. Press  (TIMER) button. The display will show remaining time before the air conditioner will turn off.
2. Press the up or down arrow button to change the delayed shutoff time from 0.5 to 24 hours. The time can be set in 0.5 hour increments below 10 hours and 1 hour increments for 10 hours or above.
3. Press  (TIMER) button again to confirm setting.

NOTE: The Set light will turn on while setting.

Delayed Start:

It can be set to automatically turn off or on in 0.5 to 24 hours delay.

NOTE: After the set delay, the air conditioner will turn on with the previous settings. Change the mode, fan speed, and/or temperature before setting the timer, if desired.

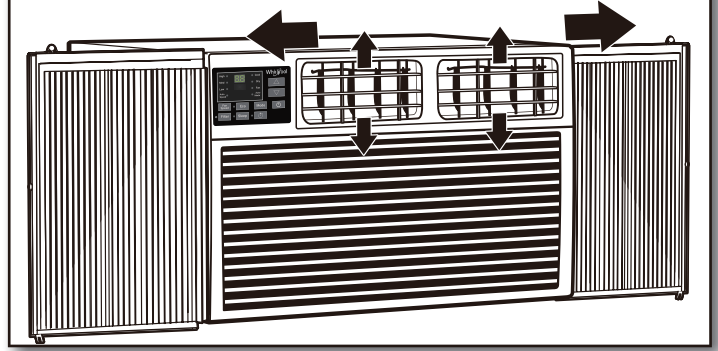
1. Turn off the air conditioner.
2. Press  (TIMER) button. Set the temperature by pressing the up or down arrow button.
3. Press  (TIMER) button a second time to set the rest time. Press the up or down arrow button to change the delay time from 0.5 to 24 hours.
4. Press  (TIMER) button again while the time remaining is shown on the display.

To Cancel Timer:

After the timer has been set, press  (TIMER) button.

Changing Air Direction

Use tab to adjust air direction



Use the thumb wheel on the vent louvers to adjust the air direction left or right.

Normal Operating Sounds

When the air conditioner is operating normally, you may hear sounds such as:

- Droplets of water hitting the condenser, causing a pinging or clicking sound. The water droplets help cool the condenser.
- Air movement from the fan.
- Clicks from the thermostat cycle.
- Vibrations or noise due to poor wall or window construction.
- A high-pitched hum or pulsating noise caused by the modern high-efficiency compressor cycling ON and OFF.
- Water will collect in the base pan during rain or days of high humidity. The water may overflow and drip from the outside part of the unit.

Clean Filter Reminder

To help maximize energy efficiency, this air conditioner features a Clear Filter reminder. After 500 hours of operation, FILTER will



illuminate as a reminder that it is time to clean the filter. Once the light is illuminated, it can be turned off by pressing the FILTER button. See the "Air Conditioner Care" section for instructions on how to clean the filter.

Using the Remote Control



(⏻) POWER

1. Press POWER to turn ON the air conditioner.
2. Press POWER again to turn OFF the air conditioner.



(❄️) COOL

Press COOL to enter Cool mode.



(🌀) FAN SPEED

1. Press FAN SPEED until the bar LED on the air conditioner control panel display for the desired setting.
2. Choose Low, Medium, or High.



NOTES:

- Auto fan speed and Temperature cannot be selected in Fan mode.

(🌿) ECO

- **(ECO)ECO:** Conserves energy by turning off compressor when the room reaches the desired temperature. The fan motor will run for 10 minutes, stop for 20 seconds, then run again. The compressor will turn back on when the room temperature rises above the set temperature. Press ECO to turn ECO feature on and off. When the unit is in ECO mode, the light will turn on.



Adjusting Temperature

Press the up arrow button to increase the set temperature. Press the down button to decrease the set temperature.



(🌙) SLEEP

Automatically adjusts the temperature and fan speed to make the room more comfortable during the night. Press and hold the (SLEEP) button until the sleep light turns on. All of the left lights will turn off. The set temperature will automatically raise every 30-60 minutes. At most, the temperature will change six times until the temperature reaches 82°F (28°C). Running time depends upon the set temperature.



(🕒) (TIMER)

Delayed Shutoff:

Use the timer to set the air conditioner to turn off automatically after a 0.5 to 24 hour delay the air conditioner must be ON):

1. Press (TIMER). The display will show remaining time before the air conditioner will turn OFF.
2. Press the up or down arrow button to change the delayed shut-off time from 0.5 to 24 hours. The time can be set in 0.5 hour increments below 10 hours and 1-hour increments for 10 hours or above.
3. Press (TIMER) again to confirm setting.

NOTE: The Set light will turn on while setting.

Delayed Start:

You can also set the air conditioner to turn on automatically after a 0.5 to 24 hour delay.

NOTE: After the set delay, the air conditioner will turn on with the previous settings. Change the mode, fan speed, and/or temperature before setting the timer, if desired.

1. Turn OFF the air conditioner.
2. Press (TIMER). Set the temperature by pressing the up or down arrow button.
3. Press (TIMER) a second time to set the delay time. Press the up or down arrow button to change the delay time from 0.5 to 24 hours.
4. Press (TIMER) again while the time remaining is shown on the display.

To Cancel Timer:

After the timer has been set, press (TIMER).

(🔥) HEAT:

The heating function allows the air conditioner to heat the room. Press this button to activate the heating function. To optimize the function of the air conditioner, adjust the temperature and the fan speed.



(💡) DISPLAY:

Press DISPLAY to switch on/off all lights or the LED display.



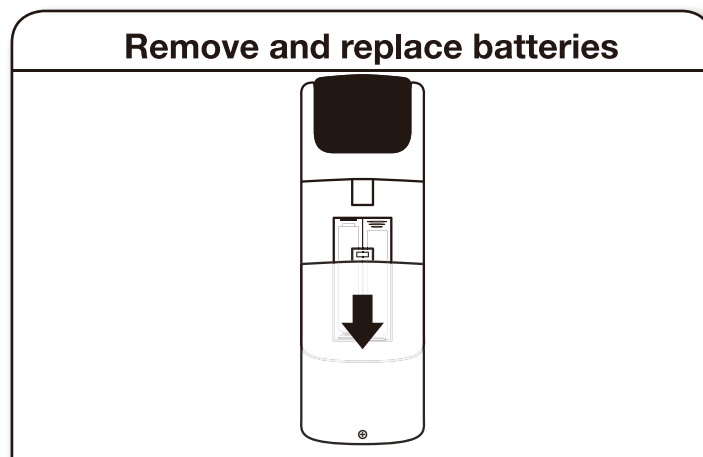
(🌀) Fan Only:

Press the Fan Only button to enter Fan Only mode.



Replacing the battery

Remove and replace batteries



Use a small Phillips screwdriver to loosen the battery cover screw. Slide the battery cover down with two thumbs to remove. Remove and properly dispose of old batteries, then replace with two new AAA batteries. Replace the battery cover and tighten the screw

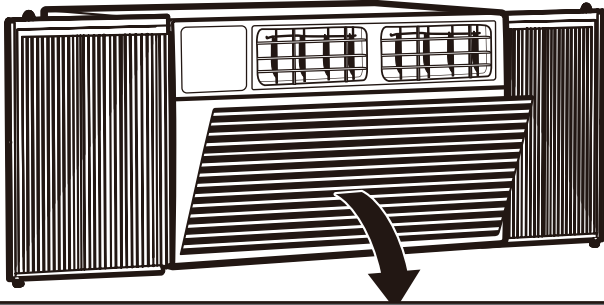
AIR CONDITIONER CARE

Your new air conditioner is designed to give you many years of dependable service. This section tells you how to clean and care for your air conditioner properly.

Air Filter Removal—Top Insert

On some models, the air filter is located behind the intake grille of air conditioner.

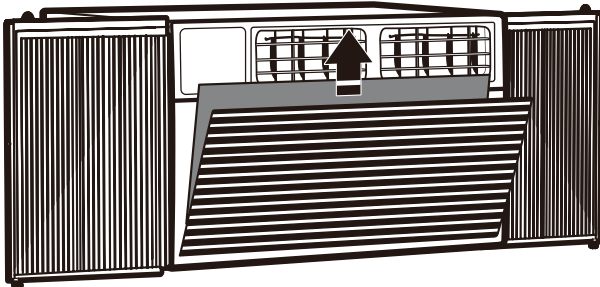
1. Removing the intake grille



Turn off the air conditioner.

Remove the air filter by pressing down on the tabs on the air intake grille and pulling the grille away from the air conditioner.

2. Removing the air filter



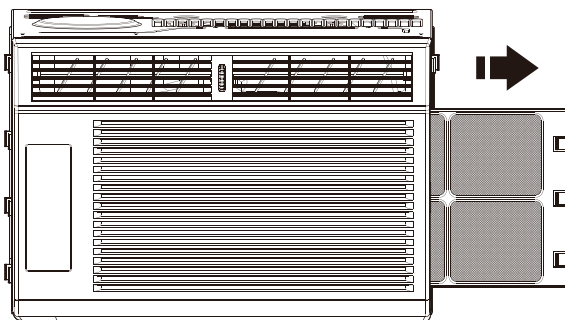
Remove the filter from the grille by lifting to release the slotted tabs on the top and bottom of the grille.

Reinstalling the air filter:

1. Reattach the air filter to the air intake grille.
2. Insert the air intake grille into the slots on the air conditioner and snap into place.

Air Filter Removal—Side Insert

1. Removing the air filter



On some models, the air filter slides out the side of the intake grille.

Remove the filter by grasping the tab on the filter and pulling it out of the grille to the side.

Reinstalling the air filter:

1. Slide the filter back into the grille.

Cleaning the Air Filter

The air filter is removable for easy cleaning. A clean filter helps remove dust, lint, and other particles from the air and is important for best cooling and operating efficiency. Check the filter at least once per month to see whether it needs cleaning.

NOTE: Do not operate the air conditioner without the filter in place. Doing so will degrade the unit performance over time.

Use a vacuum cleaner to clean air filter. If the air filter is very dirty, wash it in warm water with a mild detergent.

NOTE: Do not wash the air filter in the dishwasher or use any chemical cleaners; it may damage the filter. Air dry the air filter completely before replacing to ensure maximum efficiency.

Cleaning the Front Panel

1. Turn off the air conditioner.
2. Wipe the front panel with a soft, damp cloth.
3. Air dry the front panel completely.

Repairing Paint Damage

Check once or twice a year for paint damage. This is very important, especially in areas near saltwater or where rust is a problem. If needed, touch up with a good grade enamel paint.


Winter Storage

1. Remove the air conditioner according to the installation instructions.
2. Cover the air conditioner with plastic or place it back into the original box.

TROUBLESHOOTING

Before calling for service, try the suggestions below to see whether you can solve problem without outside help.

⚠ WARNING



Electrical Shock Hazard

Plug into a grounded 3 prong outlet.

Do not remove ground prong.

Do not use an adapter.

Do not use an extension cord.

Failure to follow these instructions can result in death, fire, or electrical shock.

PROBLEM	POSSIBLE CAUSES	RECOMMENDED SOLUTIONS
The Air Conditioner Will Not Start	The air conditioner is unplugged.	Make sure that the power supply cord is plugged into a grounded 3 prong outlet.
	The fuse is blown/circuit breaker is tripped.	Check the house fuse/circuit breaker box and replace the fuse or reset the breaker.
	Power failure.	The unit will automatically restart when power is restored. There is a protective time delay (approximately 3 minutes) to avoid tripping of the compressor overload. The unit may not start normal cooling for 3 minutes after it is turned back on.
	The power cord reset button is tripped.	Press the reset button located on the power cord plug. If the reset button will not stay engaged, discontinue use of the air conditioner and contact a qualified service technician.
The Air Conditioner Is Not Cooling Properly	Airflow is restricted.	Make sure that there are no curtains, blinds, or furniture blocking the front of the air conditioner.
	The temperature control is not set correctly.	Lower the set thermostat temperature.
	The air filter is dirty.	Clean the filter. See the “Air Conditioner Care” section.
	The room is too warm.	Allow time for the room to cool down after turning on the air conditioner.
	Cold air is escaping.	Close all open doors and/or windows where warm air may be entering.
	The cooling coils are frozen.	See “The Air Conditioner Is Freezing Up” below.
The Air Conditioner Is Freezing Up	Ice is blocking the airflow.	Turn off the unit and allow it to thaw until the ice has melted, then operate on a higher fan speed. If this continues to occur, contact customer service for additional help.
The Remote Control Is Not Working	Batteries are inserted incorrectly.	Check that the batteries are inserted in the correct direction.
	Batteries are dead.	Replace the batteries and dispose of them in a responsible manner.

PROBLEM	POSSIBLE CAUSES	RECOMMENDED SOLUTIONS
Water Is Dripping From the Unit on the Outdoor Side	The weather is hot and humid.	This is normal during periods of high humidity. NOTE: Do not drill a hole into the bottom of the metal base pan; doing so will reduce cooling performance.
Water Is Dripping Inside the Room	The air conditioner is not properly leveled.	The air conditioner should slope slightly downward toward the outside. Level the air conditioner to provide a downward slope toward the outside to ensure proper drainage. See the "Installation Instructions" section. NOTE: Do not drill a hole into the bottom of the metal base pan; doing so will reduce cooling performance.
Water Collects in the Base Pan	Moisture removed from the air is collecting in the base pan.	This is normal. Water that collects in the base pan will evaporate to the outside air. This helps with the unit's cooling process. NOTE: Do not drill a hole into the bottom of the metal base pan; doing so will reduce cooling performance.
Digital display reads "E1", "E2"	A sensor has failed.	Contact customer service.

ASSISTANCE OR SERVICE

Before calling for assistance or service, please check the "Troubleshooting" section. It may save you the cost of a service call. If you still need help, follow the instructions below.

When calling, please know the purchase date and the complete model and serial numbers of the appliance. This information will help us to better respond to the request.

In the USA

Call XLS Products Customer Service toll free:
1-800-207-1156.

Our consultants provide assistance with:

- Features and specifications on our full line of appliances.
- Installation information.
- Use and maintenance procedures.
- Accessory and repair parts.
- Specialized customer assistance.
- Referrals to local dealers, repair parts distributors, and service companies. XLS Products-designated service technicians are trained to fulfill the product warranty and provide after-warranty service, anywhere in the United States.

For further assistance:

If you need further assistance, you can write to XLS Products with any questions or concerns at:

XLS Products, Inc.
Customer Service
P.O. Box 16262
Philadelphia, PA 19114-0262

Please include a daytime phone number in your correspondence.

In Canada

Call XLS Products Customer Service toll free:
1-800-207-1156.

Our consultants provide assistance with:

- Features and specifications on our full line of appliances.
- Use and maintenance procedures.
- Accessory and repair parts.
- Referrals to local dealers, repair parts distributors, and service companies. XLS Products-designated service technicians are trained to fulfill the product warranty and provide after-warranty service, anywhere in Canada.

For further assistance:

If you need further assistance, you can write to XLS Products with any questions or concerns at:

XLS Products, Inc.
Customer Service
P.O. Box 16262
Philadelphia, PA 19114-0262

Please include a daytime phone number in your correspondence.

XLS PRODUCTS WARRANTY FOR WHIRLPOOL® AIR CONDITIONERS

ONE YEAR LIMITED WARRANTY

For one year from the date of purchase, when this product is operated and maintained according to instructions attached to or furnished with the product, XLS Products will pay for product replacement (at our discretion) to correct defects in materials or workmanship.

ITEMS XLS PRODUCTS WILL NOT PAY FOR

1. Service calls to correct the installation of your product, instruct you how to use your product, to replace house fuses or reset circuit breakers, replace or clean filters, or correct house wiring.
2. Service calls to repair or replace air filters. Those consumable parts are excluded from warranty coverage.
3. Repairs when your product is used for other than normal, single-family household use.
4. Damage resulting from accident, alteration, misuse, abuse, fire, flood, acts of God, improper installation, installation not in accordance with electrical or plumbing codes, or use of products not approved by XLS Products.
5. Replacement parts or repair labor costs for units operated outside the United States or Canada.
6. Pickup and delivery. This product is designed to be repaired in the home.
7. Repairs to parts or systems resulting from unauthorized modifications made to the appliance.
8. Expenses for travel and transportation for product service in remote locations.
9. The removal and reinstallation of your appliance if it is installed in an inaccessible location or is not installed in accordance with published installation instructions.

DISCLAIMER OF IMPLIED WARRANTIES; LIMITATION OF REMEDIES

CUSTOMER'S SOLE AND EXCLUSIVE REMEDY UNDER THIS LIMITED WARRANTY SHALL BE PRODUCT REPAIR AS PROVIDED HEREIN. IMPLIED WARRANTIES, INCLUDING WARRANTIES OF MERCHANTABILITY OR FITNESS FOR A PARTICULAR PURPOSE, ARE LIMITED TO ONE YEAR OR THE SHORTEST PERIOD ALLOWED BY LAW. XLS PRODUCTS SHALL NOT BE LIABLE FOR INCIDENTAL OR CONSEQUENTIAL DAMAGES. SOME STATES AND PROVINCES DO NOT ALLOW THE EXCLUSION OR LIMITATION OF INCIDENTAL OR CONSEQUENTIAL DAMAGES, OR LIMITATIONS ON THE DURATION OF IMPLIED WARRANTIES OF MERCHANTABILITY OR FITNESS, SO THESE EXCLUSIONS OR LIMITATIONS MAY NOT APPLY TO YOU. THIS WARRANTY GIVES YOU SPECIFIC LEGAL RIGHTS AND YOU MAY ALSO HAVE OTHER RIGHTS, WHICH VARY, FROM STATE TO STATE OR PROVINCE TO PROVINCE.

Outside the 50 United States and Canada, this warranty does not apply. Contact your authorized XLS Products dealer to determine if another warranty applies.

If you need service, first see the "Troubleshooting" section of the Use & Care Guide. After checking "Troubleshooting," additional help can be found by checking the "Assistance or Service" section or by calling XLS Products. In the U.S.A., call 1-800-207-1156. In Canada, call 1-800-207-1156.

Keep this book and your sales slip together for future reference. You must provide proof of purchase or installation date for in-warranty service.

Write down the following information about your air conditioner to better help you obtain assistance or service if you ever need it. You will need to know your complete model number and serial number. You can find this information on the model and serial number label located on the product.

Dealer name _____
Address _____
Phone number _____
Model number _____
Serial number _____
Purchase date _____



CLIMATISEUR DE PIÈCE

Guide d'utilisation et d'entretien

Pour des questions concernant les fonctionnalités, le fonctionnement/performances, les pièces ou le service, appelez : **1-800-207-1156**.

Au Canada, pour de l'aide, l'installation ou le service, appelez : **1-800-207-1156**

Tableau de contenus

SÉCURITÉ DU CLIMATISEUR	20
INTRODUCTION AUX RÉFRIGÉRANTS R32	21
EXIGENCES D'INSTALLATION	22
Exigences électriques - Tous les modèles	22
Exigences électriques - Modèles 115 V	22
Exigences électriques - Modèles 230 V Modèles BTU - 18000, 24000	22
Méthode de mise à la terre recommandée	22
Cordon d'alimentation - Tous les modèles	23
Outils nécessaires - Tous les modèles	23
Pièces fournies : Modèles 18,000-24,000 BTU	23
Exigences de l'emplacement - Installation de la fenêtre	23
Mesures d'ouverture de la fenêtre	24
Préparer l'ouverture de la fenêtre	24
Préparation de la fenêtre avec un contre-fenêtre ou autre obstruction	24
INSTRUCTIONS D'INSTALLATION POUR FENÊTRE - MODÈLES 18,000-24,000 BTU	25
Préparer le climatiseur pour l'installation	25
Installer le canal supérieur et le support latéral	26
Installer le climatiseur dans la fenêtre	26
Installer les supports de fixation	27
Installer le châssis dans le boîtier	28
Étendre les panneaux latéraux	28
Installer le verrou de la fenêtre et le joint du châssis	28
INSTRUCTIONS D'INSTALLATION MURALE - MODÈLES 18,000-24,000 BTU	29
Outils supplémentaires nécessaires	29
Choisir un site d'installation murale	29
Préparer le site d'installation murale	29
Préparer et installer le boîtier	30
Construction en maçonnerie	30
UTILISATION DU CLIMATISEUR	31
Allumer le climatiseur	31
Sélectionner le mode	31
Fonctionnalités	31
Sélectionner la vitesse du ventilateur	31
Régler la température	32
Utiliser le minuteur	32
Changer la direction de l'air	32
Sons de fonctionnement normaux	32
Rappel de nettoyage du filtre	32
Utilisation de la télécommande	33
Remplacer la pile	33
ENTRETIEN DU CLIMATISEUR	34
Retrait du filtre à air - Insertion par le haut	34
Retrait du filtre à air - Insertion latérale	34
Nettoyer le filtre à air	34
Nettoyer le panneau avant	34
Réparer les dommages de peinture	34
Stockage hivernal	34
DÉPANNAGE	35
ASSISTANCE OU SERVICE	36
GARANTIE DES PRODUITS XLS POUR CLIMATISEURS WHIRLPOOL ®	37

Modèle:

WHHW182BW

WHHW232BW

®/™ ©2024 Whirlpool. Tous droits réservés. Fabriqué sous licence par XLS Products, Pennsylvanie. Garanties limitées fournies par XLS Products.

Tous droits réservés. Fabriqué sous licence par XLS Products, Pennsylvanie. Garantie limitée fournie par XLS Products.

Todos los derechos reservados. Fabricado bajo licencia por XLS Products, Pennsylvania.

SÉCURITÉ DU CLIMATISEUR

Votre sécurité et celle des autres est très importante.

Nous donnons de nombreux messages de sécurité importants dans ce manuel et sur votre appareil ménager. Assurez-vous de toujours lire tous les messages de sécurité et de vous y conformer.



Voici le symbole d'alerte de sécurité.

Ce symbole d'alerte de sécurité vous signale les dangers potentiels de décès et de blessures graves à vous et à d'autres.

Tous les messages de sécurité suivront le symbole d'alerte de sécurité et le mot "DANGER" ou "AVERTISSEMENT". Ces mots signifient :

⚠ DANGER

Risque possible de décès ou de blessure grave si vous ne suivez pas immédiatement les instructions.

⚠ AVERTISSEMENT

Risque possible de décès ou de blessure grave si vous ne suivez pas les instructions.

Tous les messages de sécurité vous diront quel est le danger potentiel et vous disent comment réduire le risque de blessure et ce qui peut se produire en cas de non-respect des instructions.



IMPORTANTES INSTRUCTIONS DE SÉCURITÉ

AVERTISSEMENT: Pour réduire le risque d'incendie, d'électrocution ou de blessure lors de l'utilisation de votre climatiseur, suivez ces précautions de base:

- Brancher sur une prise à 3 alvéoles reliée à la terre.
- Ne pas enlever la broche de liaison à la terre.
- Ne pas utiliser un adaptateur.
- Cet appareil ne convient pas à une utilisation par des personnes (y compris des enfants) à capacités physiques, sensorielles ou mentales réduites, ou possédant un manque d'expérience et de connaissances, à moins qu'elles ne soient placées sous supervision ou qu'elles aient reçu des instructions concernant l'utilisation de l'appareil par une personne responsable de leur sécurité.
- Ne pas utiliser un câble de rallonge.
- Débrancher le climatiseur avant l'entretien.
- Utiliser deux ou plus de personnes pour déplacer et installer le climatiseur.
- Ne pas boire l'eau recueillie dans le bac.
- Les enfants doivent être placés sous surveillance afin de s'assurer qu'ils ne jouent pas avec l'appareil.

CONSERVEZ CES INSTRUCTIONS

INTRODUCTION AUX RÉFRIGÉRANTS R32

Les réfrigérants utilisés dans nos climatiseurs sont des hydrocarbures sans danger pour l'environnement. Ce type de réfrigérant est inodore et combustible, ce qui signifie qu'il peut brûler et exploser dans certaines circonstances. Cependant, il n'y a aucun danger de brûlure ou d'explosion si vous respectez le tableau ci-dessous lorsque vous installez votre climatiseur dans une pièce avec une zone appropriée et que vous l'utilisez correctement.

Comparé aux réfrigérants ordinaires, le réfrigérant R32 est respectueux de l'environnement, ne détruit pas l'ozone et a une très faible valeur d'effet de serre.

Exigences relatives à la surface de la pièce pour le climatiseur avec réfrigérant R32

Réfrigérant	Capacité(Btu)	Zone de la chambre
R32	≤9K /12K	Au dessus de 4m ² (43 sq.ft)
	≤18K	Au dessus de 15m ² (161 sq.ft)
	≤24K	Au dessus de 25m ² (269 sq.ft)

Avertissements

- Veuillez lire le manuel avant l'installation, l'utilisation, la maintenance.
- N'utilisez pas de moyens pour accélérer le processus de dégivrage ou de nettoyage, autres que ceux recommandés par le fabricant.
- Ne pas percer ou brûler l'appareil.
- L'appareil doit être stocké dans une pièce sans sources d'inflammation en fonctionnement continu (par exemple : flammes nues, appareil à gaz en fonctionnement) et sans sources d'inflammation (par exemple : un radiateur électrique en fonctionnement) à proximité de l'appareil.
- Veuillez contacter le centre de service après-vente le plus proche lorsque des travaux de maintenance sont nécessaires. Au moment de la maintenance, le personnel de maintenance doit strictement se conformer au manuel d'utilisation fourni par le fabricant correspondant. Toute personne non professionnelle est interdite pour la maintenance du climatiseur.
- Il est nécessaire d'éliminer le réfrigérant dans le système lors de l'entretien ou de la mise au rebut d'un climatiseur. Sachez que les réfrigérants peuvent ne pas contenir d'odeur.
- Limites de fonctionnement de l'unité: Côté extérieur 61~110°F, 80%RH; côté intérieur 61~90°F, 80%RH.
- Gardez les ouvertures de ventilation libres de toute obstruction.
- Toute personne impliquée dans des travaux ou effraction dans un circuit frigorifique doit détenir un certificat en cours de validité d'une autorité d'évaluation accréditée par l'industrie, qui surveille leur compétence pour manipuler les réfrigérants en toute sécurité conformément à une évaluation reconnue par l'industrie spécification.

EXIGENCES D'INSTALLATION

Exigences électriques—tous les modèles

⚠ AVERTISSEMENT



Risque de choc électrique

Brancher sur une prise à 3 alvéoles reliée à la terre.

Ne pas enlever la broche de liaison à la terre.

Ne pas utiliser un adaptateur.

Ne pas utiliser un câble de rallonge.

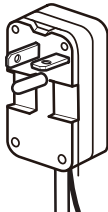
Le non-respect de ces instructions peut causer un décès, un incendie ou un choc électrique.

Les caractéristiques électriques du climatiseur sont indiquées sur la plaque signalétique. La plaque signalétique des numéros de modèle et de série est située du côté droit du climatiseur.

Les exigences électriques spécifiques sont inscrites dans le tableau des "Exigences du cordon d'alimentation électrique". Suivre les recommandations pour ce type de prise électrique indiquées dans le tableau.

Exigences électriques— 230 V Modèles

Modèles à -18,000; 24,000 BTU



- 230 V – (208 min - 240 max.)
- Si une étiquette "Circuit indépendant seulement" est apposée sur l'appareil, utiliser l'appareil sur un circuit où rien d'autre n'est branché.
- Si ce n'est pas possible, il incombe à l'utilisateur de faire installer par un électricien qualifié un circuit où l'appareil pourra être branché seul.
- Si aucune étiquette "Circuit indépendant seulement" n'est apposée sur l'appareil, l'appareil peut être branché à toute prise offrant la bonne tension et la protection adéquate.

Méthode de liaison à la terre recommandée

Ce climatiseur doit être relié à la terre. Ce climatiseur est équipé d'un cordon d'alimentation électrique à trois broches pour la liaison à la terre. Pour minimiser les risques de choc électrique, on doit brancher le cordon sur une prise de courant de configuration correspondante, à 3 alvéoles, reliée à la terre et installée conformément à tous les codes et règlements locaux. Si une prise de courant compatible n'est pas disponible, il incombe au client de faire installer par un électricien qualifié une prise de courant à 3 alvéoles convenablement reliée à la terre. Il incombe au client de :

- Contacter un électricien qualifié.
- Veiller à ce que l'installation électrique soit réalisée de façon adéquate et en conformité avec le code national de l'électricité, ANSI/NFPA 70 – plus récente édition, et tous les codes et règlements locaux en vigueur.

On peut obtenir des exemplaires des normes mentionnées à l'adresse suivante :

National Fire Protection Association
1 Batterymarch Park
Quincy, MA 02269

Cordon d'alimentation — tous les modèles

⚠ AVERTISSEMENT



Risque de choc électrique

Brancher sur une prise à 3 alvéoles reliée à la terre.

Ne pas enlever la broche de liaison à la terre.

Ne pas utiliser un adaptateur.

Ne pas utiliser un câble de rallonge.

Le non-respect de ces instructions peut causer un décès, un incendie ou un choc électrique.

Cordon d'alimentation – tous les modèles

REMARQUE : Le cordon d'alimentation de votre climatiseur peut être différent de celui illustré.

Ce climatiseur individuel Whirlpool est équipé d'un cordon d'alimentation conforme aux exigences de l'UL. Ce cordon d'alimentation comporte des circuits électroniques d'avant-garde détectant les courants de fuite. En cas d'écrasement du cordon d'alimentation, les circuits électroniques détectent les courants de fuite et l'alimentation est interrompue en une fraction de seconde.

Pour tester le cordon d'alimentation :

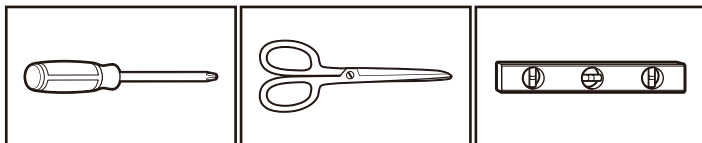
1. Brancher le cordon d'alimentation électrique dans une prise à trois alvéoles reliée à la terre.
2. Appuyer sur RESET (réinitialisation) (un témoin lumineux vert s'illumine sur certains modèles).
3. Appuyer sur TEST (un déclic se fait entendre, le bouton de réinitialisation s'enclenche et sur certains appareils, une lumière verte s'allume).
4. Appuyer, puis relâcher le bouton RESET (réinitialisation) (un déclic se fait entendre, le bouton Reset s'enclenche et sur certains appareils, une lumière verte s'allume). Le cordon d'alimentation est prêt à être utilisé.

REMARQUES :

- Le bouton Reset (réinitialisation) doit être enfoncé pour une utilisation correcte.
- Le cordon d'alimentation doit être remplacé s'il ne se déclenche pas lorsqu'on appuie sur le bouton de test ou si l'appareil n'est pas réinitialisé
- Ne pas utiliser le cordon d'alimentation comme interrupteur. Le cordon d'alimentation est conçu pour remplir les fonctions de dispositif de protection.
- Un cordon d'alimentation endommagé ne doit pas être réparé, mais remplacé par un cordon d'alimentation neuf que l'on peut se procurer auprès du fabricant du produit.
- Le cordon d'alimentation ne comprend aucune pièce réparable. Ouvrir le boîtier inviolable annule toute garantie et réclamation pour mauvaise performance.

Outils requis – tous les modèles

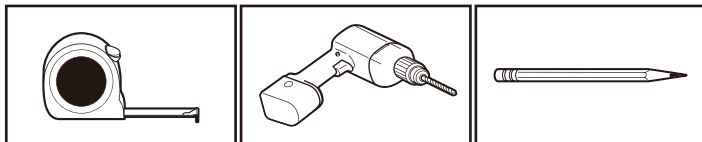
Rassembler les outils et pièces nécessaires avant d'entreprendre l'installation. Lire et observer les instructions fournies avec chacun des outils de la liste ci-dessous.



Tournevis Phillips

Ciseaux

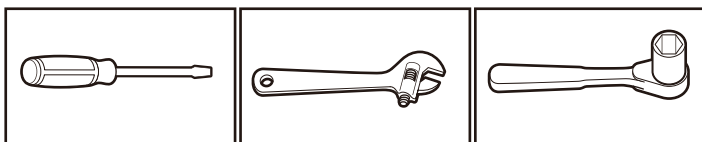
Niveau



Ruban à mesurer

Perceuse sans fil et foret de 1/8 po

Crayon



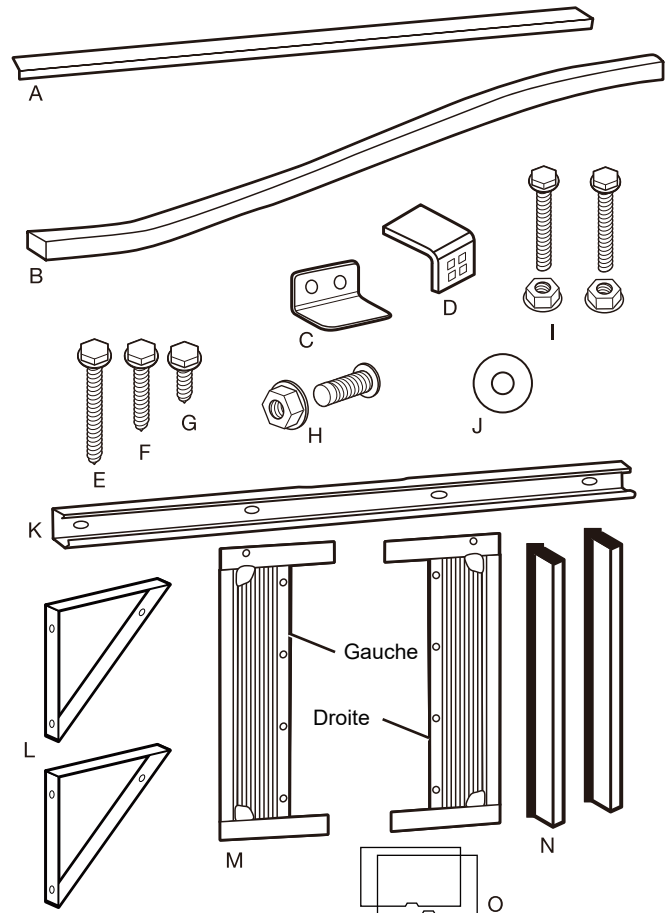
Tournevis à lame plate

Clé à molette ou pince

Clé à douille

Pièces fournies - Modèles 18,000-24,000 BTU

Vérifiez que toutes les pièces sont incluses dans le paquet de pièces.



A. Joint en mousse avec bande adhésive

B. Joint en mousse sans bande adhésive

C. Verrou de fenêtre

D. Support d'angle de seuil x2

E. Vis à tête plate de 5/8" po x4

F. Vis à tête plate de 1/2" po x2

G. Vis à tête plate de 5/16" po x10

H. Boulon à tête plate de 5/8" po avec écrou de verrouillage x2

I. Boulon à tête plate de 1/2" po avec écrou de verrouillage x4

J. Rondelle x2

K. Canal supérieur (l'apparence peut varier)

L. Support de fenêtre x2

M. Panneaux latéraux x2

N. Retenues latérales x2

O. Joint de panneau (adhésif) x2

Autres : Piles AAA x2

Exigences de l'emplacement - Installation de la fenêtre

IMPORTANT: Respectez tous les codes et règlements en vigueur.

Vérifiez l'emplacement où le climatiseur sera installé.

Assurez-vous d'avoir tout le nécessaire pour une installation correcte.

L'emplacement doit fournir :

- Une prise électrique mise à la terre à moins de 150 cm (4,9 pi) de l'endroit où le cordon d'alimentation sort du climatiseur. Ne pas utiliser de rallonge.

L'emplacement d'installation doit disposer de :

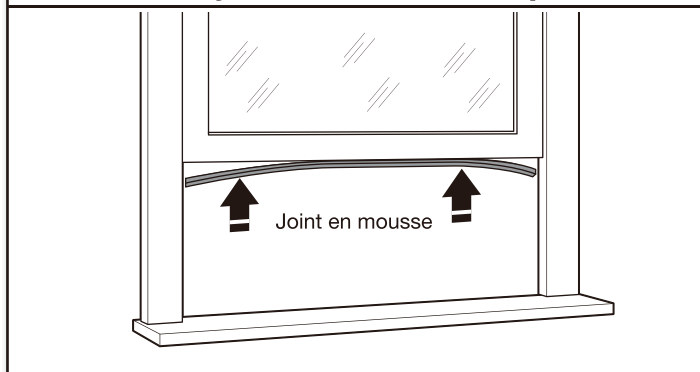
- Une prise électrique avec liaison à la terre située à moins de 6 pi (183 cm) du point de sortie du cordon d'alimentation du climatiseur.
- Une libre circulation de l'air dans la pièce à refroidir.
- Une ouverture de taille suffisante pour le climatiseur. Les pièces d'installation sont fournies pour des fenêtres à guillotine à deux châssis mobiles.

REMARQUE : Le climatiseur peut être installé sans rideaux latéraux pour les ouvertures étroites de fenêtre.

- Un support mural adéquat pour le poids du climatiseur.
- Montants en bois, maçonnerie, ou métal pour fixer aux pièces de support.

REMARQUE : Les événements de l'appareil ne doivent pas être obstrués. L'air doit pouvoir circuler librement à travers les événements.

2. Fixer le joint en mousse supérieur



Fixer le joint en mousse au bas du châssis de la fenêtre à l'aide de la bande adhésive.

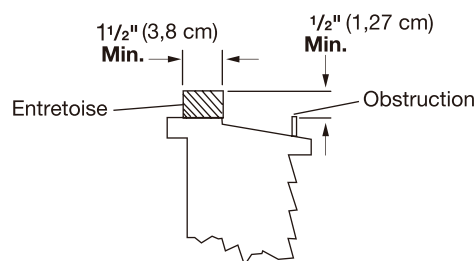
Enlever les fenêtres anti-orage ou les autres obstacles

Suivre les étapes dans "préparer l'ouverture de la fenêtre".

Si possible, retirer le châssis de la fenêtre anti-orage ou d'autres obstacles éventuels.

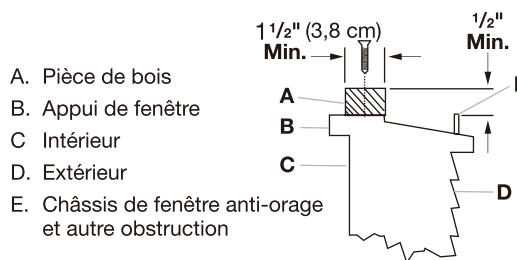
Si le cadre de la fenêtre anti-orage ou les autres obstacles NE PEUVENT être enlevés, une cale d'espacement en bois devra être ajoutée pour faire en sorte que le climatiseur soit incliné vers l'extérieur. Cette procédure est requise pour permettre à la condensation et à la pluie de s'écouler à l'extérieur.

1. Mesurer la taille de la cale d'espacement nécessaire



À l'aide d'un niveau et d'un ruban à mesurer, évaluer l'épaisseur de la cale d'espacement en bois nécessaire pour incliner légèrement la partie extérieure du climatiseur vers le bas. La cale devrait offrir un minimum de 1/2 po (1,27 cm) de hauteur au-dessus de l'obstruction.

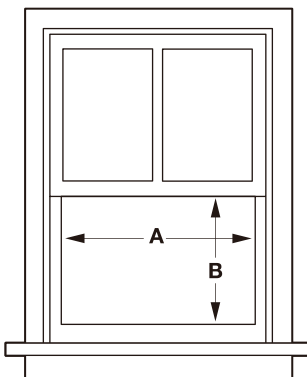
2. Placer la cale sur l'appui de fenêtre



- A. Pièce de bois
- B. Appui de fenêtre
- C. Intérieur
- D. Extérieur
- E. Châssis de fenêtre anti-orage et autre obstruction

Placer la cale d'espacement en bois sur l'appui de fenêtre. La cale devrait être au moins aussi large que le climatiseur lui-même. Fixez l'entretoise en bois au rebord de la fenêtre.

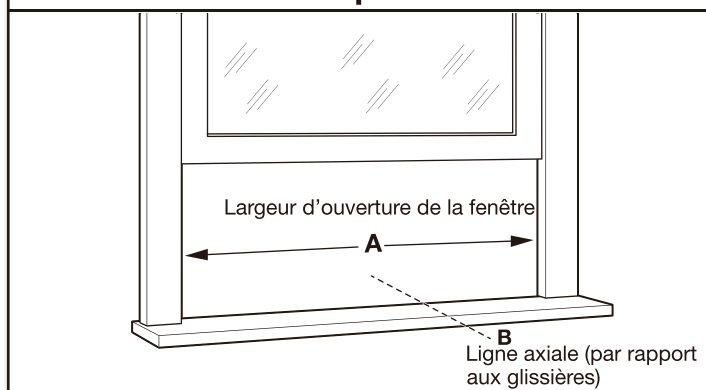
Mesures de l'ouverture de la fenêtre



BTU du modèle	Largeur (A)	Dégagement minimum (B)
18,000	28 à 41 po (71,1 cm à 104,2 cm)	19 po (48,3 cm)
24,000	30 à 41 po (76,2 cm à 104,2 cm)	19 1/2 po (49,5 cm)

Préparer l'ouverture de la fenêtre

1. Mesurer et marquer le centre



Mesurer la largeur d'ouverture de la fenêtre (A).

Marquer le centre (B) de la fenêtre sur l'intérieur de l'appui de fenêtre.

INSTALLATION DANS UNE FENÊTRE – MODÈLES À 18,000 À 24,000 BTU

Préparer le climatiseur pour l'installation

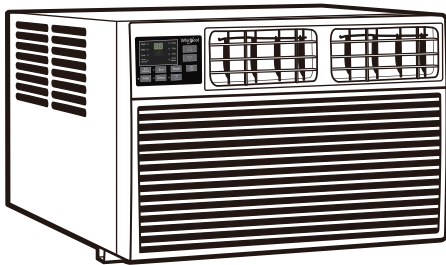
⚠ AVERTISSEMENT

Risque du poids excessif

Utiliser deux ou plus de personnes pour déplacer et installer le climatiseur.

Le non-respect de cette instruction peut causer une blessure au dos ou d'autre blessure.

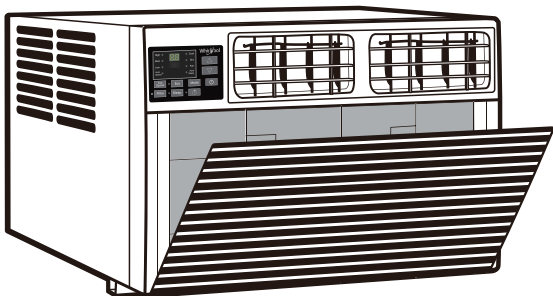
1. Déballez le climatiseur



Enlever les matériaux d'emballage

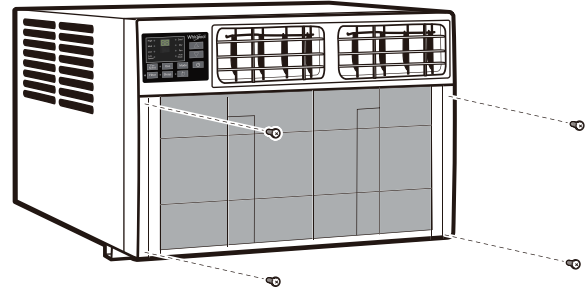
- Manipuler le climatiseur avec soin pendant le déballage.
- Placez le climatiseur sur une surface dure et plane.
- Enlever tout résidu de ruban adhésif et de colle des surfaces avant de mettre le climatiseur en marche. Frotter une petite quantité de savon liquide à vaisselle sur l'adhésif avec les doigts. Essuyer avec un linge propre et sécher.
- Ne pas utiliser d'instruments coupants, d'alcool à friction, de liquides inflammables ou de nettoyants abrasifs pour enlever le ruban adhésif ou la colle. Ces produits peuvent endommager la surface de votre climatiseur.
- Enlever tout matériel d'emballage se trouvant dans les événements latéraux.
- Jeter ou recycler les matériaux d'emballages de façon convenable.

2. Retirer le filtre et le panneau avant



Tirer vers le bas le panneau avant et retirer le filtre. Soulever le panneau avant vers le haut et retirer du climatiseur. Placez sur le côté.

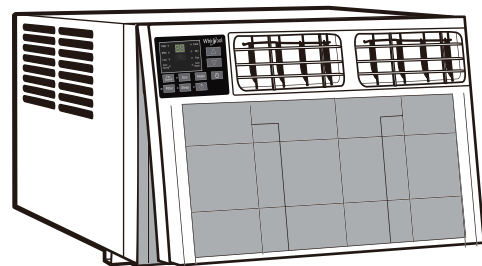
3. Retirer les vis de la plaque avant



Retirer les quatre vis de la plaque avant.

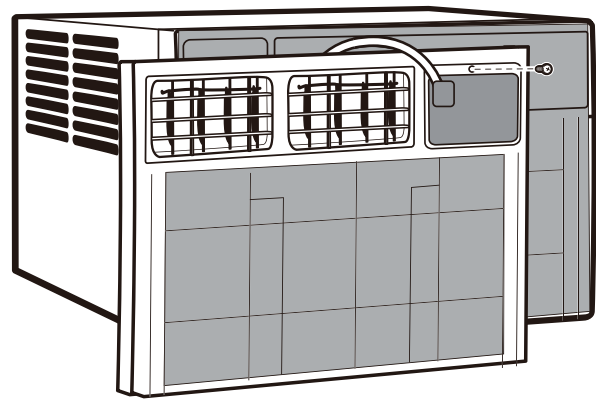
REMARQUE : Les vis de fixations doivent être réinstallées avant de mettre en place le climatiseur.

4. Retirer la plaque avant



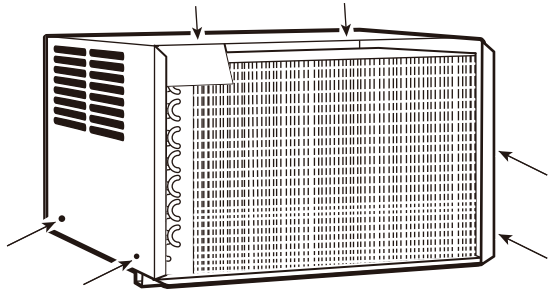
Retirer doucement la plaque avant du l'armoire climatiseur.

5. Retirer le vis du tableau de commande



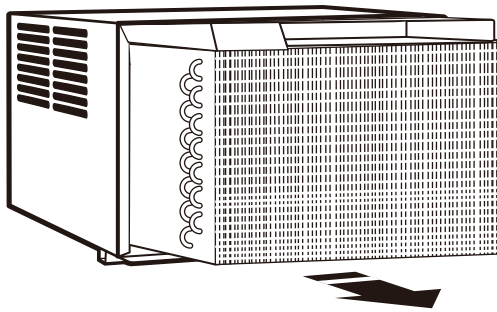
Retirer le vis du tableau de commande du l'armoire climatiseur.

6. Enlever les vis latérales



Retirez les six vis du côté supérieur et du côté gauche-droit de l'armoire.

7. Retirer le châssis

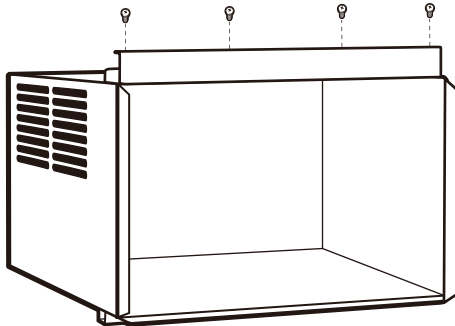


IMPORTANT : Pour éviter tout dommage, ne pas tirer ou soulever dans la partie supérieure de l'unité.

Tenez le boîtier tout en tirant sur la poignée de base pour retirer soigneusement l'appareil.

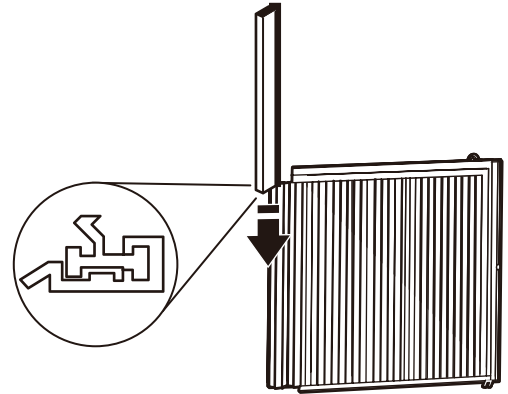
Installer la glissière supérieure et support latéral

1. Installer la glissière supérieure



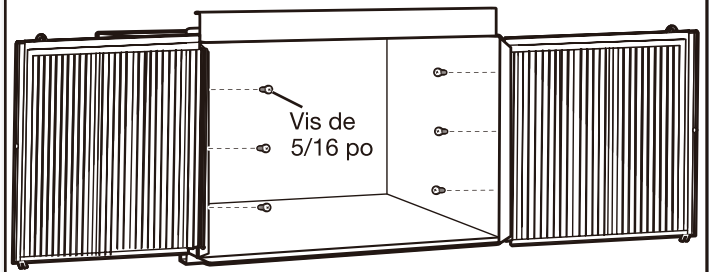
Fixer la glissière supérieure au l'armoire à l'aide de quatre vis à tête hexagonale de 5/16 po.

2. Glisser dans les panneaux latéraux



Faire glisser la section "I" du panneau de la fenêtre dans le support latéral de l'armoire. Effectuer cette étape pour les deux côtés.

3. Fixer les panneaux latéraux



Insérer les pieds du haut et du bas du cadre du panneau de remplissage en acier dans les glissières du haut et du bas. Fixer à l'aide de vis de 5/16 po. Répéter de l'autre côté et installer la tige de retenue dans le l'armoire.

Installer le climatiseur dans la fenêtre

⚠ AVERTISSEMENT

Risque du poids excessif

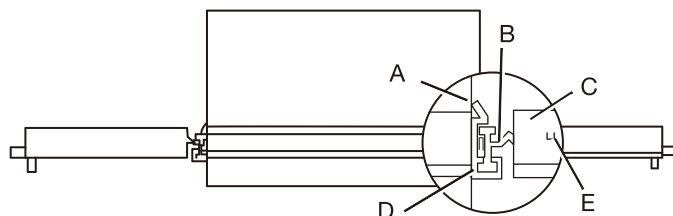
Utiliser deux ou plus de personnes pour déplacer et installer le climatiseur.

Le non-respect de cette instruction peut causer une blessure au dos ou d'autre blessure.

IMPORTANT :

- S'assurer que le climatiseur ne tombe pas de l'ouverture lors de l'installation ou de la dépose.
- Le point d'où ressort le cordon d'alimentation du climatiseur ne doit pas se trouver à plus de 4.9 pi (150 cm) d'une prise reliée à la terre.
- Pour maximiser l'efficacité de la climatisation et de la circulation d'air, ne pas obstruer l'entrée d'air ou laisser les événements se décharger dans le panneau avant.
- Pour réduire le nombre de fois où le compresseur se met en marche et s'arrête, et pour réduire les risques que l'appareil gèle ou s'endommage, ne pas obstruer les événements situés à l'extérieur du climatiseur.

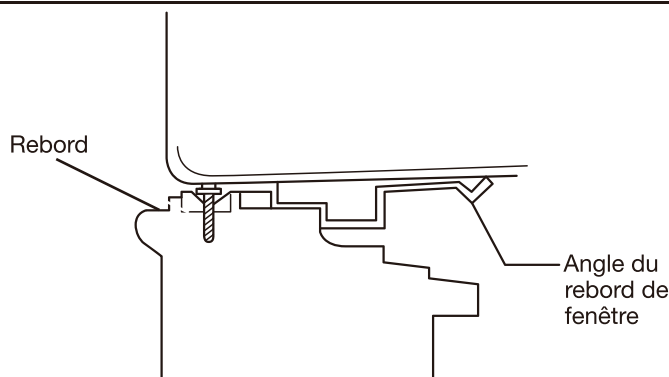
1. Placer le climatiseur dans la fenêtre



- A. Climatiseur
- B. Panneaux latéraux
- C. Cadre en plastique.
- D. Section "I"
- E. Trou à vis de blocage

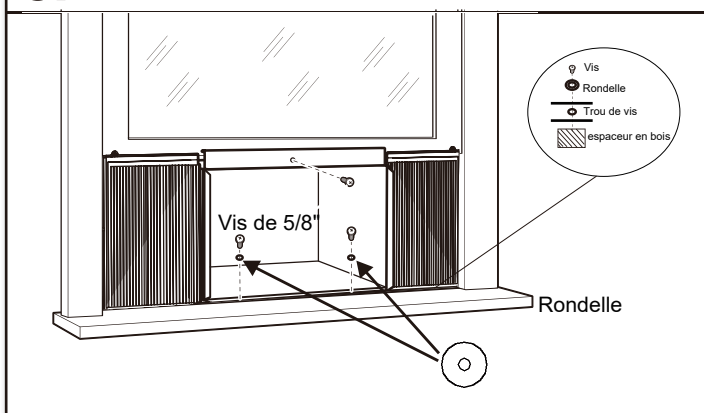
Avec l'aide de deux personnes ou plus, placer le cadre de climatiseur dans l'ouverture de la fenêtre de sorte que le fond du cadre du climatiseur est contre le seuil de la fenêtre.

2. Fermer la fenêtre



S'assurer que la glissière inférieure repose sur le rebord de fenêtre comme indiqué. Abaisser temporairement le châssis mobile de la fenêtre derrière la glissière supérieure pour maintenir le l'armoire en place. Incliner l'arrière de l'unité jusqu'à ce qu'il pointe légèrement vers le bas pour permettre à l'accumulation d'eau de plus d'être évacuée.

3. Sécuriser le cabinet



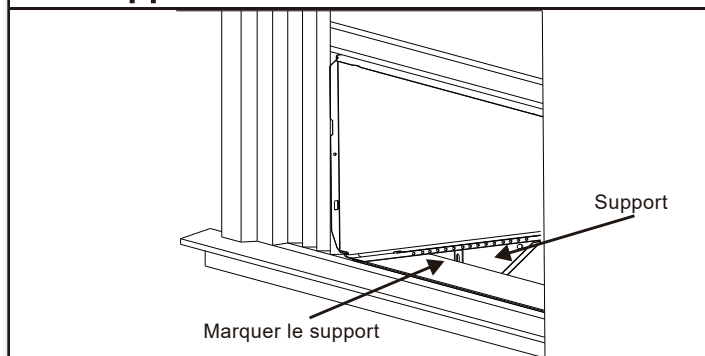
REMARQUE : Si nécessaire, pré-percez des trous dans le rebord de la fenêtre.

Fixez le cabinet au rebord de la fenêtre à l'aide de deux vis à tête hexagonale de 5/8". Fixez la vis à travers l'espaceur en bois mentionné à la page 6, sous la section "Préparation de la fenêtre avec fenêtre de tempête ou autre obstruction". Pour les modèles de 24,000 BTU, utilisez les deux vis de 5/8" afin de protéger le cabinet.

Installer supports de montage

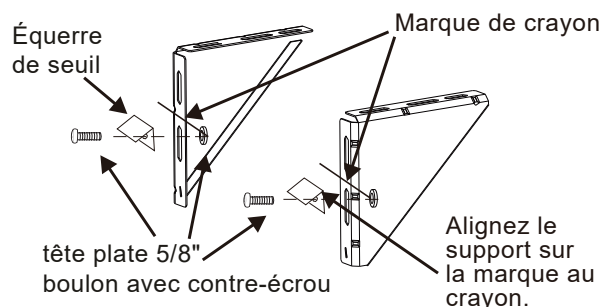
REMARQUE : Fixer rideaux au cadre de climatiseur avant placer le climatiseur dans la fenêtre.

1. Marquer l'emplacement des supports



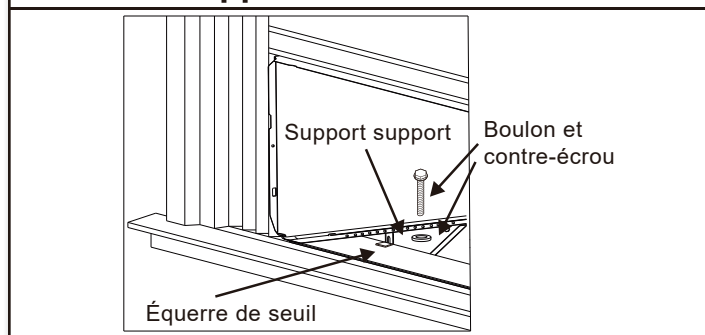
Maintenez chaque support de support contre l'extérieur du rebord de la fenêtre. Serrez chaque support au bas de l'armoire avec boulon à tête plate 1/2" avec contre-écrou. Avec un crayon, marquez le support où le haut du rebord de la fenêtre rencontre le support. Retirez les crochets.

2. Assembler les supports



Fixez les équerres de seuil aux équerres de support avec un boulon à tête cylindrique de 5/8" avec contre-écrou, comme illustré. Serrez les boulons à la main. librement pour s'adapter aux changements qui pourraient être nécessaires plus tard en mise en place.

3. Fixer supports assemblés



Fixez les supports (avec les équerres de seuil attachées) à la base de l'armoire avec un boulon à tête plate de 1/2" avec contre-écrou illustré. Assurez-vous que les équerres de seuil reposent sur le dessus du rebord de la fenêtre, comme illustré. Inclinez légèrement l'arrière de l'appareil vers le bas pour permettre l'accumulation de pluie l'eau à évacuer. Serrez bien les six boulons.

Installer le châssis dans l'armoire

⚠️ AVERTISSEMENT

Risque du poids excessif

Utiliser deux ou plus de personnes pour déplacer et installer le climatiseur.

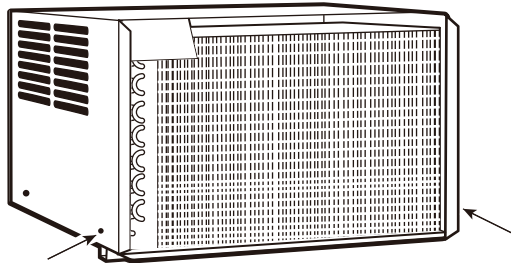
Le non-respect de cette instruction peut causer une blessure au dos ou d'autre blessure.

1. Réinstaller le châssis du climatiseur

IMPORTANT : Pour prévenir les dommages, ne pas pousser sur les commandes ou serpentins à ailettes.

Avec l'aide de deux personnes ou plus, soulever le châssis du climatiseur et faites-le glisser avec précaution dans l'armoire. Vuelva a ajustar los dos tornillos al gabinete que está cerca del panel lateral, tanto a la izquierda como a la derecha. S'assurer que le châssis est bien assis à l'arrière du cabinet.

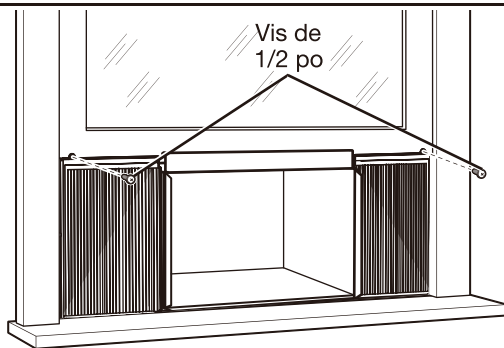
2. Remonter le climatiseur



Fixez les deux vis sur l'armoire qui se trouve près du panneau latéral à gauche et à droite. Rattachez la façade avant, le panneau avant et le filtre à air. Reportez-vous à la section "Préparer le climatiseur pour l'installation" rubrique pour plus d'informations.

Étirer les rideaux latéraux

1. Desserrer les vis de blocage



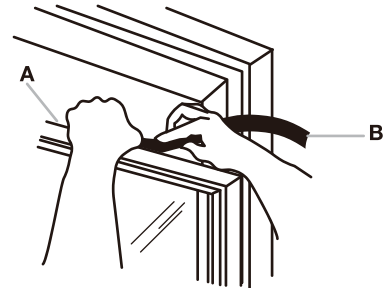
Étendez le panneau latéral et le cadre du panneau. Fixez le panneau latéral avec deux vis à tête hexagonale 1/2" à gauche et à droite au cadre de la fenêtre.

Installer verrouillage de fenêtre et joint d'étanchéité du châssis

REMARQUE : Fixez les rideaux à l'armoire du climatiseur avant de placer l'armoire du climatiseur dans la fenêtre.

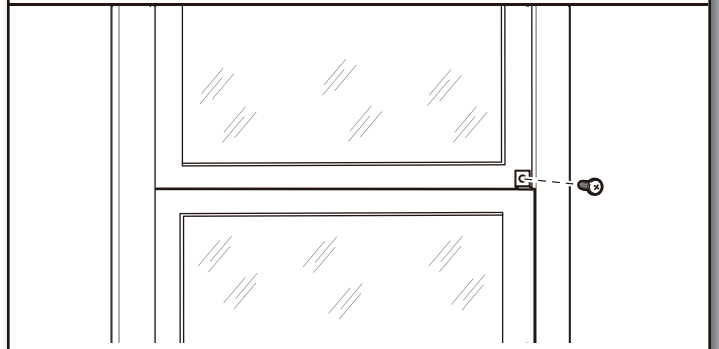
1. Insérer le joint d'étanchéité du châssis

- A. Haut du châssis inférieur de la fenêtre
- B. Joint de châssis



Couper le joint d'étanchéité du châssis à la largeur de la fenêtre. Insérer le joint d'étanchéité du châssis dans l'espace entre le châssis supérieur et inférieur.

2. Fixer le fermoir de sécurité à angle droit



Fixez le verrou de fenêtre à angle droit avec une vis à tête hexagonale de 5/8".

INSTRUCTIONS D'INSTALLATION AU MUR – MODÈLES À 18,000 À 24,000 BTU

Outils supplémentaires requis

Rassembler les outils et pièces nécessaires avant d'entreprendre l'installation. Lire et observer les instructions fournies avec chacun des outils de la liste ci-dessous.

- Cadre en bois
- Cales
- 10 vis à bois – minimum de 1 po (2,54 cm)

Sélectionner un emplacement d'installation au mur

Le climatiseur est muni d'un châssis coulissant, il peut donc être installé à un mur extérieur.

Épaisseur maximale du mur : 8 po (20,32 cm)

IMPORTANT : Pour assurer un flux d'air approprié, les volets latéraux ne doivent jamais être bloqués.

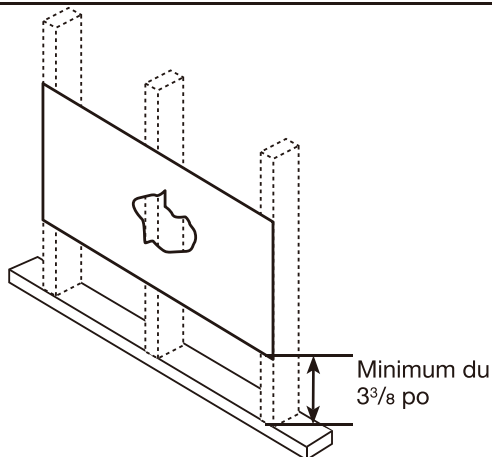
Exigences de mur:

- Faire en sorte que l'air puisse circuler librement à l'arrière et sur les côtés du climatiseur
- Près de la prise de courant existante ou de l'emplacement où une prise peut ou va être installée
- Qui ne supporter pas une charge structurelle majeure, comme le cadre de support au bout d'une fenêtre, sous un point d'appui de ferme, etc.
- Ne comporte pas de plomberie ou de câblage électrique
- Ne comporte pas d'objets pouvant bloquer la circulation d'air
- La distance entre l'appareil et la prise électrique doit être inférieure à 6' (180 cm)

Préparer l'emplacement d'installation au mur

Le climatiseur est muni d'un châssis coulissant, il peut donc être installé à un mur extérieur. Préparer la charpente existante du mur (incluant la brique et les recouvrements en stuc).

1. Découpez un trou sur le côté de la colombage centrale



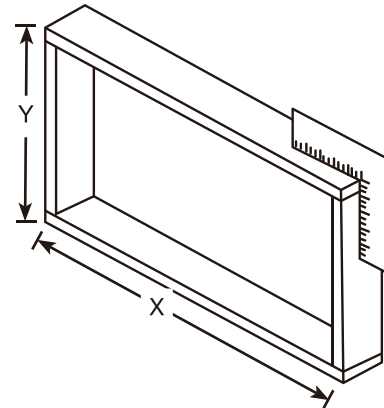
Travailler depuis l'intérieur de la pièce, trouver le colombage qui est la plus proche du centre de la zone d'installation. Découpez un trou de chaque côté du colombage centrale, en laissant au moins 3³/₈ po (8,57 cm) dessous du trou.

Utilisation du tableau ci-dessous pour trouver les dimensions d'installation, mesurer entre les bords intérieurs des autres colombages.

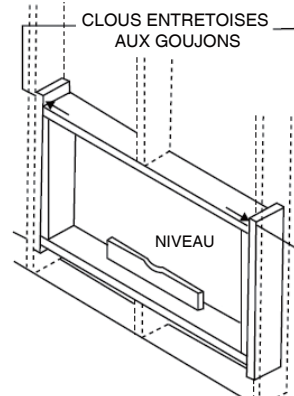
Largeur X = Modèle intérieur plus deux fois l'épaisseur du matériau utilisé pour le cadre.

Hauteur Y = Hauteur du modèle intérieur plus deux fois l'épaisseur du matériau utilisé pour le cadre.

	Modèles à 18K	Modèles à 24K
Hauteur de l'intérieur du cadre	18 ¹ / ₄ po (46,4 cm)	19 ¹ / ₂ po (49,5 cm)
Largeur de l'intérieur du cadre	23 ⁷ / ₈ po (60,6 cm)	26 ⁹ / ₁₀ po (68,3 cm)



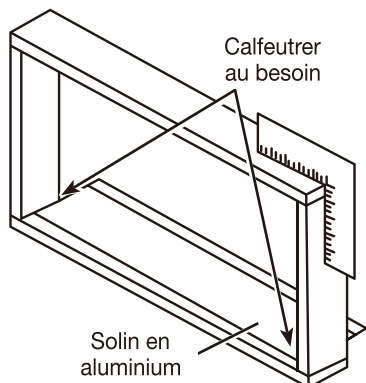
2. Construire le cadre



Construire un cadre en bois avec les dimensions intérieures de votre modèle comme indiqué ci-dessus. La profondeur du châssis doit être la même que l'épaisseur de la paroi. Remplir l'espace supplémentaire entre l'ouverture et les colombages à l'aide de cales en bois comme indiqué.

Clouer les cales au colombage. Ils devraient être de niveau avec le panneau de gypse.

REMARQUE : Si l'épaisseur du mur est égale ou supérieure à 8½ po (21,59 cm), ajouter un solin d'aluminium sur le bas de l'ouverture du cadre pour s'assurer que l'eau ne peut pas entrer dans l'espace entre le mur intérieur et extérieur.



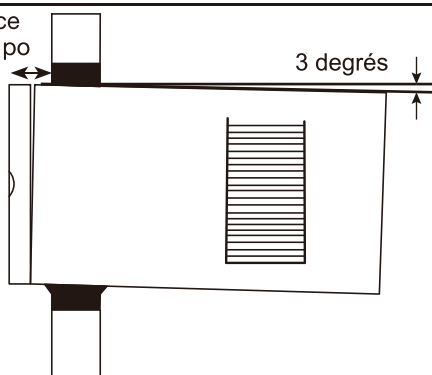
Préparer et installer l'armoire

1. Retirer le châssis

Faire glisser le châssis de l'armoire. Voir la section "Préparer le climatiseur pour l'installation" pour plus d'informations.

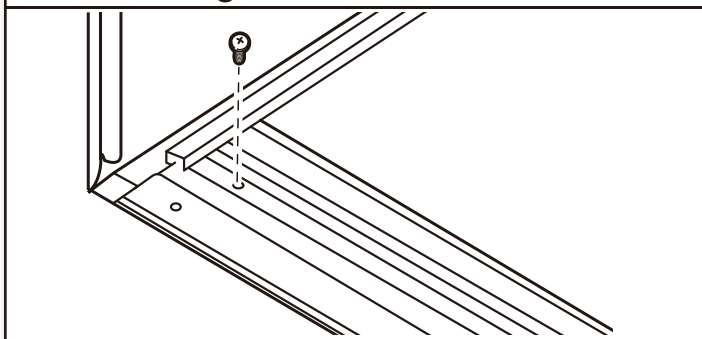
2. Placer et positionner l'armoire

Taille d'espace
5/16 po à 3/8 po



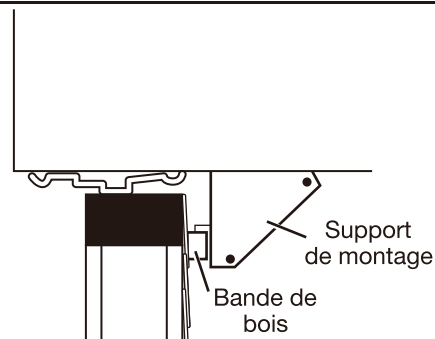
Placer le cabinet dans l'ouverture, la glissière inférieure appuyée sur le rail inférieur du cadre en bois. Incliner correctement le cabinet pour permettre l'évacuation de l'eau.

3. Fixer la glissière inférieure au cadre



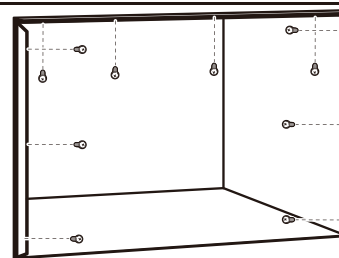
Fixer la glissière inférieure au cadre avec deux vis à bois de 1 po (2,5 cm).

4. Placer et positionner l'armoire



Assembler les supports. Voir la section "Installer supports de montage" dans la section "Installation de fenêtre". Clouer les tringles en bois au mur extérieur, elles seront utilisées avec les supports de montage en équerre pour rebord.

5. Fixer l'armoire et installer le châssis



Pour éviter la production de bruit, visser ou clouer le cabinet au cadre de bois en utilisant des cales si le cadre est trop grand. Ne pas oublier de conserver un angle adéquat pour l'évacuation de l'eau.

Installer le châssis dans l'armoire. Voir la section "Installer le châssis dans l'armoire".

Mur en maçonnerie

1. Couper ou créer dans le mur de maçonnerie une ouverture semblable à celle du cadre de support. Consulter la section "Instructions d'installation au mur - modèles à 240 V" pour un mur d'une épaisseur supérieure à 8½ po (21,59 cm).
2. Fixer le cabinet en utilisant des clous à maçonnerie ou des vis d'encrage à maçonnerie. Il est aussi possible de fabriquer un cadre en suivant les instructions de la section "Instructions d'installation au mur - modèles à 240 V".
3. S'assurer que la maçonnerie située au-dessus du cabinet possède un support suffisant. Utiliser les trous existants du cabinet ou percer de nouveaux trous pour fixer le cabinet dans différentes positions. Vérifier que les événements latéraux sont bien dégagés.
4. Installer les supports de montage extérieurs du cabinet en respectant le point "Préparation et installation du cabinet" de la section "Instructions d'installation au mur - modèles à 240 V". Utiliser du calfeutrant ou un solin en aluminium, au besoin. Ceci permettra de créer un joint efficace autour du haut et des côtés du cabinet.
5. Pour créer un effet visuel plus esthétique, ajouter des moulures en bois autour du cabinet, sans toutefois obstruer les événements latéraux.

UTILISATION DU CLIMATISEUR



Le bon fonctionnement de votre climatiseur peut vous aider à obtenir les meilleurs résultats. Cette section explique le fonctionnement correct du climatiseur.

IMPORTANT :

- Si on doit éteindre le climatiseur, attendre au moins 3 minutes avant de le rallumer. Ceci empêche le climatiseur de faire griller un fusible ou déclencher le disjoncteur.
- N'essayez pas de faire fonctionner le climatiseur en mode Cool lorsque la température extérieure est inférieure à 65°F (18°C). Le serpentin intérieur de l'évaporateur gèlera et le climatiseur ne fonctionnera pas correctement.

REMARQUE : En cas de panne de courant, votre climatiseur fonctionnera aux réglages précédents une fois le courant rétabli.

Mettre en marche le climatiseur

1. Appuyez sur POWER pour allumer le climatiseur.
2. Appuyez sur POWER pour éteindre le climatiseur.



Sélectionner le mode

1. Appuyer sur MODE pour faire défiler les modes.
2. Choisir les modes : Cool (refroidissement), Dry(sec), Fan (ventilateur), Auto Mode (Mode Auto) ou Heat (chauffage).



- (❄️) **refroidissement**— La fonction de réfrigération permet à la climatisation de fonctionner dans Réduit également l'humidité de l'air. Appuyez sur la touche MODE pour régler la fonction de refroidissement. Appuyez sur le bouton flèche haut ou bas pour ajuster la température.
- (💧) **Mode déshumidificateur**— Réduit l'humidité de l'air. Appuyez sur MODE pour régler le mode déshumidificateur. Une fonction automatique d'utilisation en alternance des programmes de refroidissement et de ventilation est activée.
- (🌀) **ventilateur** — Seul le ventilateur fonctionne. Appuyez sur MODE pour régler le mode Fan. Appuyez sur (🌀) pour sélectionner Low, Med et High.



REMARQUE : Après 5 secondes, l'afficheur indique la température ambiante.

- (Auto Mode) **Mode Auto**—Le mode AUTO permet à l'appareil de choisir automatiquement la vitesse du ventilateur et le mode à utiliser (refroidissement, sec ou ventilateur). Dans ce mode, la vitesse du ventilateur et la température sont réglées automatiquement en fonction de la température de la pièce (évaluation par un capteur de température incorporé à la partie intérieure de l'appareil).
- (🔥) **Mode chauffage**: La fonction de chauffage permet au climatiseur de chauffer la pièce. Appuyez sur le bouton MODE pour activer la fonction de chauffage. Pour optimiser le fonctionnement du climatiseur, régler la température et la vitesse du ventilateur en appuyant sur le bouton indiqué.

Caractéristiques

- (🌿) **Éco**—Lorsque la pièce atteint la température souhaitée, éteignez le compresseur pour économiser de l'énergie. Le moteur du ventilateur fonctionnera pendant 1 minute, s'arrêtera pendant 5 minutes et fonctionnera à nouveau. Le compresseur redémarre lorsque la température ambiante dépasse la température de consigne. Appuyez sur Eco pour activer et désactiver la fonction Eco. Le voyant s'allume lorsque l'appareil est en mode Eco.



- (🛏) **Veille** — Règle automatiquement la température et la vitesse du ventilateur pour rendre la pièce confortable pendant la nuit. Maintenir enfoncé le bouton (🛏), jusqu'à ce que le témoin (🛏) s'allume. Tous les autres voyants s'éteindront. La température de consigne augmentera automatiquement de 1 degré toutes les 30 à 60 minutes. À la fin du cycle de sommeil, la température repasse à la température initialement réglée.



Sélectionner la vitesse du ventilateur

1. Appuyer sur (🌀) (ventilateur) jusqu'à ce que le témoin à DEL s'arrête sur le réglage souhaité.
 2. Choisir High (élevée), Med (moyenne) ou Low (basse).
- (🌀) **Basse**—ventilateur à basse vitesse
 - (🌀) **Moyenne**—ventilateur à normale vitesse
 - (🌀) **Élevée**—ventilateur à maximale vitesse

REMARQUES :

- (Auto) **Auto**—Le ventilateur et la température automatiques ne peuvent pas être sélectionnés en mode Ventilateur seulement.
- En modes SLEEP, la vitesse du ventilateur est automatiquement sélectionnée.



Réglage de la température

Appuyer sur le bouton " à flèche vers le haut pour augmenter la température.






Appuyer sur le bouton " à flèche vers le bas pour abaisser la température.



Utiliser la minuterie

Minuterie de fermeture:

Utiliser la minuterie pour fermer automatiquement le climatiseur après un délai de 0,5 h à 24 h (le climatiseur doit être en marche).




1. Appuyer sur  (minuterie). L'afficheur indique le nombre d'heures restant avant l'arrêt du climatiseur. 
2. Appuyer sur les flèches haut/bas pour modifier la durée de délai de 0,5 h à 24 h. La durée peut être réglée en augmentation par 30 minutes avant 10 h et en augmentation par heure après 10 h.
3. Appuyer à nouveau sur  (minuterie) pour confirmer le nouveau réglage.

REMARQUE : Le voyant Set s'allume pendant le réglage.

Mise en marche différée:

Il est aussi possible de régler le climatiseur pour qu'il se mette marche après une période d'attente de 0,5 h à 24 h.

REMARQUE : Une fois le délai enregistré, le conditionneur se mettra en marche en utilisant les réglages précédents. Modifier au besoin le mode, la vitesse du ventilateur ou la température avant de régler la minuterie.

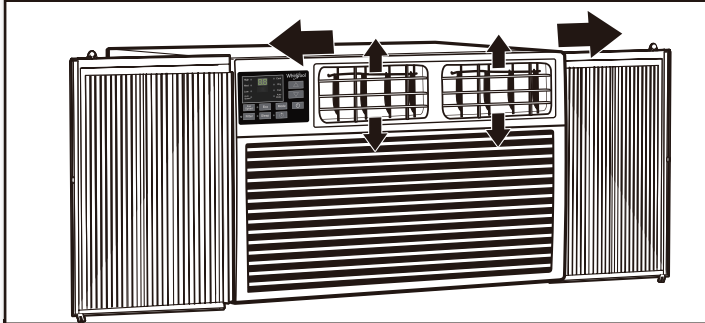
1. Arrêter le climatiseur.
2. Appuyer sur  (minuterie). Appuyer sur les flèches haut/bas pour régler la température.
3. Appuyer à nouveau sur  (minuterie). Appuyer sur le bouton à flèche haut/bas pour changer la durée de délai (0,5 h à 24 h).
4. Appuyer à nouveau sur  (minuterie) alors que le temps restant est affiché.

Pour annuler la minuterie

Une fois la minuterie réglée, appuyer sur .

Changement de direction de l'air

Utiliser les volets pour modifier la direction du jet d'air



Utiliser la molette située sur les événements pour diriger l'air vers la gauche ou la droite.


Bruits de fonctionnement normaux

Lorsque le climatiseur fonctionne normalement, on peut percevoir certains sons comme :

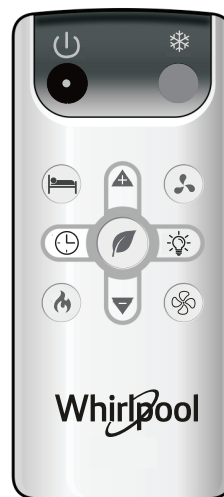
- Gouttelettes d'eau qui heurtent le condenseur, causant un cliquetis ou un cliquettement. Les gouttelettes d'eau contribuent au refroidissement du condenseur.
- Mouvement de l'air sous l'effet du ventilateur.
- Déclis émis par le thermostat.

- Vibrations ou bruits imputables à une construction médiocre du mur ou de la fenêtre.
- Bourdonnement à fréquence élevée ou pulsations à cause du compresseur moderne à haute efficacité qui se met en marche et s'arrête de façon intermittente.
- De l'eau s'accumule dans la base lorsqu'il pleut ou si la journée est très humide. L'eau peut remplir la base et s'écouler de la partie extérieure de l'unité.

Rappel de nettoyage du filtre

Pour aider à maximiser l'efficacité énergétique, ce climatiseur est muni d'un rappel de nettoyage de filtre. Après 500 heures d'utilisation, l'afficheur de température indiquera "FILTER", ce qui signifie qu'il est temps de nettoyer le filtre. Consulter la section "Entretien du climatiseur" pour savoir comment nettoyer le filtre. Une fois le témoin illuminé, il peut être fermé en appuyant sur le bouton FILTER. 

Utilisation de la télécommande



() Mise sous tension

1. Appuyer sur POWER (mise sous tension) pour mettre en marche le climatiseur.
2. Appuyer à nouveau sur POWER pour éteindre le climatiseur.



() Refroidissement

Appuyer sur COOL pour entrer dans le mode refroidissement.



() Vitesse du ventilateur

1. Appuyer sur le bouton Fan Speed (vitesse du ventilateur) jusqu'à ce que la barre de DEL du panneau de commande du climatiseur affiche le réglage souhaité.
2. Choisir basse, moyenne ou élevée.



REMARQUE:

- Le ventilateur et la température automatiques ne peuvent pas être sélectionnés en mode ventilateur.

(🌿) Mode Eco

■ **(ECO) Éco** – Conserve l'énergie en fermant le compresseur lorsque la pièce atteint la température désirée. Le moteur du ventilateur fonctionne pendant quelque temps, arrête quelque temps, puis se remet en marche. Le compresseur se remet en marche lorsque la température de la pièce s'élève au-dessus de la température réglée. Appuyer sur ECO pour mettre en marche ou arrêter la fonction Éco. Lorsque l'appareil est en mode Éco, les témoins lumineux



Réglage de la température

Appuyer sur le bouton "à flèche vers le haut" pour augmenter la température. Appuyer sur le bouton "à flèche vers le bas" pour abaisser la température.



(🛏) Sleep

Règle automatiquement la température et la vitesse du ventilateur pour rendre la pièce confortable pendant la nuit.



Maintenir enfoncé le bouton Sleep, jusqu'à ce que le témoin Sleep s'allume. Les autres témoins s'éteignent. La température réglée augmente automatiquement toutes les 30 à 60 minutes. Au plus, la température augmentera six fois, jusqu'à ce qu'elle atteigne 82 °F (28 °C). Le temps de fonctionnement dépend de la température réglée.

(🕒) minuterie

Minuterie de fermeture :

Utiliser la minuterie pour fermer automatiquement le climatiseur après un délai de 0,5 h à 24 h (le climatiseur doit être en marche) :



1. Appuyer sur 🕒 (minuterie). L'afficheur indique le nombre d'heures restant avant l'arrêt du climatiseur.
2. Appuyer sur les flèches haut/bas pour modifier la durée de délai de 0,5 h à 24 h. La durée peut être réglée en augmentation par 30 minutes avant 10 h et en augmentation par heure après 10 h.
3. Appuyer à nouveau sur 🕒 (minuterie) pour confirmer le nouveau réglage.

REMARQUE : Le voyant Set s'allume pendant le réglage.

Mise en marche différée :

Il est aussi possible de régler le climatiseur pour qu'il se mette en marche après une période d'attente de 0,5 h à 24 h.

REMARQUE : Une fois le délai enregistré, le conditionneur se mettra en marche en utilisant les réglages précédents. Modifier au besoin le mode, la vitesse du ventilateur ou la température avant de régler la minuterie.

1. Arrêter le climatiseur.
2. Appuyer sur 🕒 (minuterie). Appuyer sur les flèches haut/bas pour régler la température.
3. Appuyer à nouveau sur 🕒 (minuterie). Appuyer sur le bouton à flèche haut/bas pour changer la durée de délai (0,5 h à 24 h).
4. Appuyer à nouveau sur 🕒 (minuterie) alors que le temps restant est affiché.

Pour annuler la minuterie

Une fois la minuterie réglée, appuyer sur 🕒 .

(🔥) Mode chauffage :

La fonction de chauffage permet au climatiseur de chauffer la pièce. Appuyez sur ce bouton pour activer la fonction de chauffage. Pour optimiser le fonctionnement du climatiseur, régler la température et la vitesse du ventilateur en appuyant sur le bouton indiqué.



(💡) L'affichage :

Appuyer sur 💡 (L'affichage) pour mettre sous ou hors tension tous les voyants ou l'affichage à DEL.



(🌀) ventilateur seulement :

Appuyer sur 🌀 (ventilateur seulement) pour entrer dans le mode ventilateur seulement.



Remplacer les piles

Retirer et remplacer les piles



Utiliser un tournevis cruciforme pour desserrer la vis du couvercle de pile. Faire glisser le couvercle de pile en utilisant les deux pouces. Enlever les vieilles piles et les jeter de façon responsable. Les remplacer par 2 nouvelles piles AAA. Réinstaller le couvercle du boîtier de piles et serrer la vis.

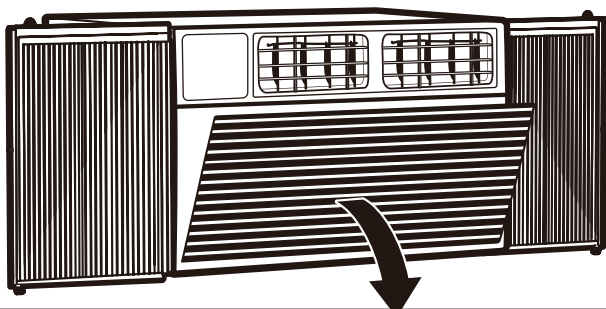
ENTRETIEN DU CLIMATISEUR

Votre nouveau climatiseur est conçu pour vous fournir de nombreuses années de fonctionnement fiable. Cette section vous expliquera comment nettoyer et entretenir votre climatiseur correctement.

Retirer le filtre à air–filtre sur le dessus

Sur certains modèles, le filtre est situé derrière la grille d'entrée du climatiseur.

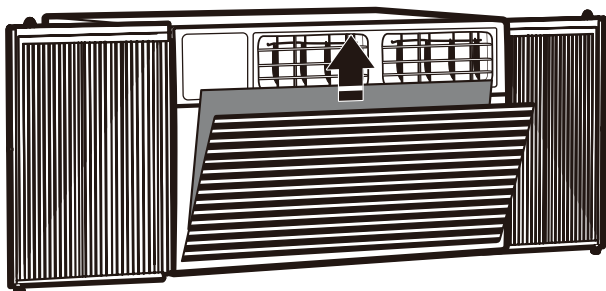
1. Retirer la grille d'entrée



Arrêter le climatiseur.

Enlever le filtre à air en appuyant sur les onglets de la grille d'entrée d'air et en dégageant la grille du climatiseur.

2. Retirer le filtre à air



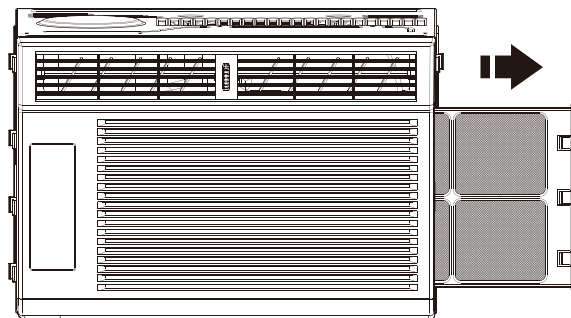
Enlever le filtre de la grille en soulevant pour libérer les onglets nervurés au haut et au bas de la grille.

Réinstallation le filtre à air :

1. Refixer le filtre à air à la grille d'entrée d'air.
2. Insérer la grille d'entrée d'air dans les nervures du climatiseur et enclencher en place.

Retirer le filtre à air–filtre sur le côté

1. Retirer le filtre à air



Sur certains modèles, le filtre s'enlève du côté de la grille d'entrée.

Enlever le filtre à air en tenant l'onglet du filtre et en le tirant par le côté à l'extérieur de la grille.

Réinstallation le filtre à air :

1. Faire glisser de nouveau le filtre dans la grille.

Nettoyage du filtre à air

Le filtre à air est amovible pour faciliter le nettoyage. Un filtre à air propre aide à retenir les particules de poussière, la charpie et les autres débris en suspension dans l'air et il est important pour obtenir un refroidissement et une efficacité de fonctionnement de grande qualité. Vérifier le filtre toutes les 2 semaines pour déterminer si un nettoyage est nécessaire.

REMARQUE : Ne pas faire fonctionner le climatiseur si le filtre n'est pas en place.

Nettoyer le climatiseur à l'aspirateur. Si le filtre à air est très sale, le laver avec de l'eau tiède et un détergent doux.

REMARQUE : Ne pas laver le filtre à air au lave-vaisselle ni utiliser de produits nettoyants chimiques pour ne pas l'endommager. Faire sécher complètement le filtre à air à l'air libre avant de le réinstaller, afin d'assurer une efficacité maximale.

Nettoyage du panneau avant

1. Arrêter le climatiseur.
2. Nettoyer le panneau avant avec un chiffon doux humide.
3. Faire complètement sécher le panneau avant à l'air libre.

Rénovation de la peinture

Inspecter l'appareil une ou deux fois par an pour déterminer si la peinture est endommagée. Ceci est très important, particulièrement dans les régions proches d'une source d'eau salée ou lorsque la rouille représente un problème. Le cas échéant, faire des retouches avec une peinture-émail de bonne qualité.

Stockage d'hiver

1. Retirer le climatiseur conformément aux instructions d'installation.
2. Couvrir le climatiseur avec du plastique ou le replacer dans la boîte d'origine.

DÉPANNAGE

Avant de faire un appel de service, consulter les suggestions ci-dessous pour voir si le problème peut être résolu sans aide extérieure.

⚠ AVERTISSEMENT



Risque de choc électrique

Brancher sur une prise à 3 alvéoles reliée à la terre.

Ne pas enlever la broche de liaison à la terre.

Ne pas utiliser un adaptateur.

Ne pas utiliser un câble de rallonge.

Le non-respect de ces instructions peut causer un décès, un incendie ou un choc électrique.

PROBLÈME	CAUSES POSSIBLES	SOLUTIONS RECOMMANDÉES
Le climatiseur ne fonctionne pas	Le cordon d'alimentation électrique est débranché.	Brancher l'appareil sur une prise à 3 alvéoles reliée à la terre.
	Un fusible est grillé ou un disjoncteur s'est ouvert.	Remplacer le fusible ou réenclencher le disjoncteur.
	Panne de courant	Le climatiseur redémarrera au rétablissement de l'alimentation. Il ya un temps de protection (environ 3 minutes) pour empêcher le déclenchement de la surcharge du compresseur. L'appareil peut ne pas commencer à refroidir adéquatement avant 3 minutes de sa mise en marche.
	Le cordon d'alimentation s'est déclenché [bouton Reset (réinitialisation) est ressorti].	Appuyer sur RESET et relâcher (un déclic se fait entendre, le bouton Reset s'enclenche et sur certains appareils, une lumière verte s'allume) pour poursuivre l'utilisation. Si le bouton Reset ne reste pas enfoncé, arrêter d'utiliser le climatiseur et contacter un technicien d'entretien qualifié.
Le climatiseur ne se refroidit pas correctement	Circulation d'air limitée.	S'assurer que l'avant du climatiseur n'est pas bloqué par un rideau, un store ou un meuble.
	Les commandes de température peuvent ne pas être correctement réglées.	Baisser la température du thermostat.
	Le filtre à air est sale.	Nettoyer du filtre. Voir la section "Entretien du climatiseur".
	La pièce peut être trop grande.	Laissez le temps de refroidir la pièce après avoir allumé le climatiseur.
	De l'air froid s'échappe.	Fermer toutes les portes ou fenêtres ouvertes qui pourraient laisser entrer de l'air chaud.
	Les serpentins de refroidissement sont gelés.	Voir "Le climatiseur gèle".
Le climatiseur gèle	La glace bloque le flux d'air.	Fermer l'appareil et laisser la glace fondre, puis le repartir en utilisant une vitesse de ventilateur élevée.
La télécommande ne fonctionne pas	Les piles sont mal insérées.	Vérifier que les piles sont insérées dans la bonne position.
	Les piles sont épuisées.	Remplacez les piles et jetez-les d'une manière responsable.

PROBLÈME	CAUSES POSSIBLES	SOLUTIONS RECOMMANDÉES
De l'eau s'égoutte de l'appareil et coule sur le mur extérieur	Il fait chaud et humide.	Ceci est normal pendant les périodes d'humidité élevée. REMARQUE : Ne pas percer de trou dans le fond de la base métallique ou du bac de condensation; cela aura pour effet de réduire la capacité de refroidissement.
De l'eau s'écoule à l'intérieur de la pièce	Le climatiseur n'est pas de niveau.	Le climatiseur doit être légèrement incliné vers le bas et vers l'extérieur. Mettre le climatiseur de niveau de façon à ce qu'il soit incliné vers le bas et vers l'extérieur afin d'assurer un écoulement correct. Voir les " Instructions d'installation ". REMARQUE : Ne pas percer de trou dans le fond de la base métallique ou du bac de condensation; cela aura pour effet de réduire la capacité de refroidissement.
De l'eau s'accumule dans le plateau inférieur	L'humidité éliminée de l'air est drainée dans le plateau inférieur.	Ceci est normal. L'eau qui se rassemble dans le bac de base s'évapore vers l'extérieur. Cela contribue au processus de refroidissement de l'unité. REMARQUE : Ne pas percer de trou dans le fond de la base métallique ou du bac de condensation; cela aura pour effet de réduire la capacité de refroidissement.

ASSISTANCE OU SERVICE

Avant de faire un appel pour assistance ou service, vérifiez la section "Dépannage". Cette vérification peut vous faire économiser le coût d'une intervention de dépannage. Si vous avez encore besoin d'aide, suivez les instructions ci-dessous.

Avant d'appeler, vous devez connaître la date d'achat et les numéros de modèle et de série complets de votre appareil. Ces renseignements nous aideront à mieux répondre à votre demande.

Aux É.-U.

Composer le numéro du service à la clientèle de XLS Products :
1 800 207-1156.

Nos consultants peuvent vous aider sur les points suivants :

- Caractéristiques et spécifications de notre gamme complète d'appareils ménagers.
- Renseignements sur l'installation.
- Procédures d'utilisation et d'entretien.
- Accessoires et pièces de rechange.
- Aide spécialisée à la clientèle.
- Orientation vers des concessionnaires, compagnies de service de réparation et distributeurs de pièces de rechange locaux. Les techniciens de service désignés de XLS Products sont formés pour remplir la garantie des produits et fournir un service après garantie partout aux États-Unis.

Pour plus d'assistance :

Si vous avez besoin de plus d'assistance, vous pouvez écrire à XLS Products en soumettant toute question ou tout problème à :
XLS Products, Inc.
Customer Service
P.O. Box 16262
Philadelphia, PA 19114-0262

N'oubliez pas d'indiquer dans votre correspondance un numéro de téléphone où l'on peut vous joindre dans la journée.

Au Canada

Composer le numéro du service à la clientèle de XLS Products :
1 800 207-1156.

Nos consultants peuvent vous aider sur les points suivants :

- Caractéristiques et spécifications de notre gamme complète d'appareils ménagers.
- Procédures d'utilisation et d'entretien.
- Accessoires et pièces de rechange.
- Orientation vers des concessionnaires, distributeurs de pièces de rechange et services de réparation locaux. Les techniciens de service désignés de XLS Products sont formés pour remplir la garantie des produits et fournir un service après la garantie, partout au Canada.

Pour plus d'assistance :

Si vous avez besoin de plus d'assistance, vous pouvez écrire à XLS Products en soumettant toute question ou tout problème à :
XLS Products, Inc.
Customer Service
P.O. Box 16262
Philadelphia, PA 19114-0262

N'oubliez pas d'indiquer dans votre correspondance un numéro de téléphone où l'on peut vous joindre dans la journée.

GARANTIE DE XLS PRODUCTS POUR LES CLIMATISEURS WHIRLPOOL®

GARANTIE LIMITÉE DE UN AN

Pendant un an à compter de la date d'achat, lorsque ce produit est utilisé et entretenu conformément aux instructions jointes à ou fournies avec le produit, XLS Products paiera pour le remplacement du produit (à notre discrétion) pour corriger les vices de matériaux ou de fabrication.

XLS PRODUCTS N'EST PAS RESPONSABLE DES

1. Visites de service pour rectifier l'installation de votre produit, pour vous montrer comment utiliser le produit, pour remplacer des fusibles de la maison, réenclencher les disjoncteurs, remplacer ou nettoyer les filtres ou rectifier le câblage électrique.
2. Interventions de dépannage pour réparer ou remplacer des filtres à air. Ces pièces consommables ne sont pas couvertes par la garantie.
3. Réparations lorsque le produit est utilisé à des fins autres que l'usage unifamilial normal.
4. Dommages imputables à : accident, modification, usage impropre ou abusif, incendie, inondation, actes de Dieu, installation fautive ou installation non conforme aux codes d'électricité ou de plomberie, ou l'utilisation de produits non approuvés par XLS Products.
5. Coûts des pièces de rechange et de la main-d'œuvre de réparation pour les appareils utilisés hors des États-Unis ou du Canada.
6. Ramassages et livraisons. Ce produit est conçu pour être réparé à domicile.
7. Réparations aux pièces ou systèmes résultant d'une modification non autorisée faite à l'appareil.
8. Frais de voyage et de transport pour le service d'un produit dans les régions éloignées.
9. Enlèvement et réinstallations de votre appareil si celui-ci est installé dans un endroit inaccessible ou n'est pas installé conformément aux instructions d'installation fournies.

CLAUSE D'EXONÉRATION DE RESPONSABILITÉ AU TITRE DES GARANTIES IMPLICITES; LIMITATION DES RECOURS

LE SEUL ET EXCLUSIF RECOURS DU CLIENT DANS LE CADRE DE LA PRÉSENTE GARANTIE LIMITÉE CONSISTE EN LA RÉPARATION PRÉVUE CI-DESSUS. LES GARANTIES IMPLICITES, Y COMPRIS LES GARANTIES APPLICABLES DE QUALITÉ MARCHANDE OU D'APTITUDE À UN USAGE PARTICULIER, SONT LIMITÉES À UN AN OU À LA PLUS COURTE PÉRIODE AUTORISÉE PAR LA LOI. XLS PRODUCTS N'ASSUME AUCUNE RESPONSABILITÉ POUR LES DOMMAGES FORTUITS OU INDIRECTS. CERTAINES JURIDICTIONS NE PERMETTENT PAS L'EXCLUSION OU LA LIMITATION DES DOMMAGES FORTUITS OU INDIRECTS, OU LES LIMITATIONS DE LA DURÉE DES GARANTIES IMPLICITES DE QUALITÉ MARCHANDE OU D'APTITUDE ONT UN USAGE PARTICULIER, DE SORTE QUE CES EXCLUSIONS OU LIMITATIONS PEUVENT NE PAS S'APPLIQUER DANS VOTRE CAS. CETTE GARANTIE VOUS CONFÈRE DES DROITS JURIDIQUES SPÉCIFIQUES ET VOUS POUVEZ ÉGALEMENT JOUIR D'AUTRES DROITS QUI PEUVENT VARIER D'UNE JURIDICTION À UNE AUTRE.

À l'extérieur du Canada et des 50 États des États-Unis, cette garantie ne s'applique pas. Contacter votre marchand XLS Products autorisé pour déterminer si une autre garantie s'applique.

Si vous avez besoin de service, voir d'abord la section "Dépannage" du Guide d'utilisation et d'entretien. Après avoir vérifié la section "Dépannage", de l'aide supplémentaire peut être trouvée en vérifiant la section "Assistance ou service" ou en appelant XLS Products. Aux États-Unis, composez le 1 800 207-1156.

Au Canada, composez le 1 800 207-1156.

Conserver ce manuel et le reçu de vente au même endroit pour référence ultérieure. Pour un entretien ou une réparation sous garantie, un document attestant de la date d'achat ou d'installation doit être fourni.

Inscrivez les renseignements suivants au sujet de votre climatiseur pour mieux vous aider à obtenir assistance ou réparation en cas de besoin. Vous devrez fournir le numéro de modèle et le numéro de série au complet. Vous trouverez ces renseignements sur la plaque signalétique située sur le produit.

Nom du revendeur _____

Adresse _____

Numéro de téléphone _____

Numéro de modèle _____

Numéro de série _____

Date d'achat _____



Guía de uso y cuidado del ACONDICIONADOR DE AIRE DE SALA

Para preguntas sobre características, funcionamiento, piezas o servicio, llame al 1-800-207-1156.
En Canadá, para asistencia, instalación o servicio, llame al:1-800-207-1156.

Tabla de contenidos

SEGURIDAD DEL ACONDICIONADOR DE AIRE	38
INTRODUCCIÓN A LOS REFRIGERANTES R32	39
REQUISITOS DE INSTALACIÓN	40
Requisitos eléctricos - Modelos AI I	40
Requisitos eléctricos - Modelos de 115 V	40
Requisitos eléctricos- Modelos de 230 V Modelos BTU-18000,24000	40
Método de conexión a tierra recomendado	40
Cable de alimentación -Todos los modelos	40
Herramientas necesarias -Todos los modelos	41
Piezas suministradas:Modelos de 18,000-24,000 BTU	41
Requisitos de ubicación -instalación en ventana	41
Medidas del hueco de la ventana	42
Preparar la abertura de la ventana.....	42
Preparar ventana con contraventana u otra obstrucción	42
INSTRUCCIONES DE INSTALACIÓN DE VENTANAS-18,000-24,000 BTU MODELOS	43
Preparar el aire acondicionado para la instalación	43
Instalar el canal superior y el soporte lateral	44
Instalar el aire acondicionado en la ventana	45
Instalar los soportes	46
Instalar el Chasis en el Armario	46
Extender los paneles laterales	47
Instalar la Cerradura de la Ventana y el Sello de la Hoja	47
INSTRUCCIONES DE INSTALACIÓN EN PARED -MODELOS DE 18,000-24,000 BTU	48
Herramientas Adicionales Requeridas	48
Selección de un muro Lugar de instalación.....	48
Preparación de la pared Lugar de instalación.....	48
Preparar e instalar el armario	49
Construcción de mampostería.....	49
USO DEL ACONDICIONADOR DE AIRE	50
Encender el acondicionador de aire.....	50
Selección del modo	50
Características.....	50
Selección de la Velocidad del Ventilador.....	50
Ajuste de la temperatura	50
Uso del Temporizador.....	51
Cambio de la Dirección del Aire.....	51
Sonidos Normales de Funcionamiento.....	51
Recordatorio de Limpieza del Filtro.....	51
Uso del Control Remoto.....	52
Sustitución de la batería.....	53
CUIDADO DEL ACONDICIONADOR DE AIRE	54
Filtro de aire - inserción superior	54
Extracción del filtro de aire - Inserción lateral	54
Limpieza del filtro de aire	54
Limpieza del panel frontal	54
Reparación de daños en la pintura	54
Almacenamiento invernal	54
SOLUCIÓN DE PROBLEMAS	55
ASISTENCIA O SERVICIO	56
XLS GARANTÍA DE PRODUCTOS PARA ACONDICIONADORES DE AIRE WHIRLPOOL ®	57

Modelo:

WHHW182BW

WHHW232BW

©/™ ©2024 Whirlpool. Fabricado bajo licencia por XLS Products, Pennsylvania. Garantías limitadas proporcionadas por XLS Products.

Tous droits réservés. Fabriqué sous licence par XLS Products, Pennsylvanie. Garantie limitée fournie par XLS Products.

Todos los derechos reservados. Fabricado bajo licencia por XLS Products, Pennsylvania.

SEGURIDAD DEL ACONDICIONADOR DE AIRE

Su seguridad y la seguridad de los demás es muy importante.

Hemos incluido muchos mensajes importantes de seguridad en este manual y en su electrodoméstico. Lea y obedezca siempre todos los mensajes de seguridad.



Este es el símbolo de alerta de seguridad.

Este símbolo le llama la atención sobre peligros potenciales que pueden ocasionar la muerte o una lesión a usted y a los demás.

Todos los mensajes de seguridad irán a continuación del símbolo de advertencia de seguridad y de la palabra "PELIGRO" o "ADVERTENCIA". Estas palabras significan:

 **PELIGRO**

Si no sigue las instrucciones de inmediato, usted puede morir o sufrir una lesión grave.

 **ADVERTENCIA**

Si no sigue las instrucciones, usted puede morir o sufrir una lesión grave.

Todos los mensajes de seguridad le dirán el peligro potencial, le dirán cómo reducir las posibilidades de sufrir una lesión y lo que puede suceder si no se siguen las instrucciones.



INSTRUCCIONES IMPORTANTES DE SEGURIDAD

ADVERTENCIA: Para reducir el riesgo de incendio, choque eléctrico o lesiones personales al usar su acondicionador de aire, siga estas precauciones básicas:

- Conecte a un contacto de pared de conexión a tierra de 3 terminales.
- No quite el terminal de conexión a tierra.
- No use un adaptador.
- Este electrodoméstico no ha sido diseñado para ser usado por personas (incluidos niños) con capacidad física, sensorial, o mental diferente o reducida, o con falta de experiencia y conocimiento, a menos que lo hagan bajo supervisión.
- No use un cable eléctrico de extensión.
- Desconecte el acondicionador de aire antes de darle servicio.
- Use dos o más personas para mover e instalar el acondicionador de aire.
- No tome el agua acumulada en el balde.
- Los niños pequeños deberán estar bajo supervisión para asegurarse de que no jueguen con el electrodoméstico.

GUARDA ESTAS INSTRUCCIONES

INTRODUCCIÓN A LOS REFRIGERANTES R32

Los refrigerantes utilizados en nuestros acondicionadores de aire son hidrocarburos seguros para el medio ambiente. Este tipo de refrigerante es inodoro y combustible, lo que significa que puede arder y explotar en determinadas circunstancias. Sin embargo, no hay peligro de que se quemé o explote si cumple con la siguiente tabla al instalar su acondicionador de aire en una habitación con un área adecuada y lo usa correctamente.

En comparación con los refrigerantes comunes, el Refrigerante R32 es ecológico, no destruye el ozono y tiene un efecto invernadero muy pequeño.

Requisitos de superficie de la habitación para acondicionadores de aire con refrigerante R32

Refrigerante	Capacidad (Btu)	Área de la habitación
R32	≤9K/12K	Por encima de 4m ² (43sq.ft)
	≤18K	Por encima de 15m ² (161sq.ft)
	≤24K	Por encima de 25m ² (269sq.ft)

Advertencias

- Lea el manual antes de la instalación, uso y mantenimiento.
- No utilice medios para acelerar el proceso de descongelación o de limpieza distintos a los recomendados por el fabricante.
- No perforé ni quemé el aparato.
- El aparato debe almacenarse en una habitación sin fuentes de ignición en funcionamiento continuo (por ejemplo: llamas abiertas, un aparato de gas en funcionamiento) y fuentes de ignición (por ejemplo: un calentador eléctrico en funcionamiento) cerca del aparato.
- Póngase en contacto con el centro de servicio postventa más cercano cuando sea necesario realizar tareas de mantenimiento. Al momento del mantenimiento, el personal de mantenimiento debe cumplir estrictamente con el Manual de Operación provisto por el fabricante correspondiente y cualquier no profesional tiene prohibido el mantenimiento del aire acondicionado.
- Es necesario eliminar el refrigerante del sistema cuando se realiza el mantenimiento o se desecha un acondicionador de aire. Tenga en cuenta que los refrigerantes pueden no tener olor.
- Límites de funcionamiento de la unidad: Lado exterior 61~110°F, 80% RH; lado interior 61~90°F, 80% RH.
- Mantenga las aberturas de ventilación libres de obstrucciones.
- Cualquier persona que participe en el trabajo o la interrupción de un circuito de refrigerante debe tener un certificado válido vigente de una autoridad de evaluación acreditada por la industria, que supervisa su competencia para manejar refrigerantes de manera segura de acuerdo con una especificación de evaluación reconocida por la industria.

REQUISITOS DE INSTALACIÓN

Requisitos eléctricos— Todos los modelos

⚠ **ADVERTENCIA**



Peligro de Choque Eléctrico

Conecte a un contacto de pared de conexión a tierra de 3 terminales.

No quite la terminal de conexión a tierra.

No use un adaptador.

No use un cable eléctrico de extensión.

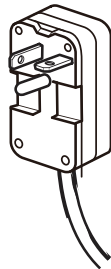
No seguir estas instrucciones puede ocasionar la muerte, incendio o choque eléctrico.

Las clasificaciones eléctricas para su acondicionador de aire están enumeradas en la etiqueta del número de modelo y de serie. La etiqueta con el número de modelo y de serie está en la parte posterior del gabinete del acondicionador de aire.

Los requisitos eléctricos específicos se indican en las secciones de "Requisitos Eléctricos". Respete los requisitos para el tipo de enchufe que se muestran en estas secciones.

Requisitos eléctricos— Modelos de 230 V

Btu de Modelos—18,000; 24,000



- 230 voltios (208 mín. a 240 máx.)
- Si la unidad tiene una etiqueta que indica "Circuito simple solamente", úsela solo con un circuito de tomacorriente único exclusivo.
- Si no hay disponible un circuito de tomacorriente único exclusivo, es responsabilidad del cliente hacer instalar un circuito de tomacorriente único por un electricista competente.
- Si la unidad no tiene la etiqueta "Circuito simple solamente", se puede usar en cualquier circuito secundario con la tensión correcta y la clasificación adecuada de protección de corriente.

Método de conexión a tierra recomendado

Este acondicionador de aire debe estar conectado a tierra. Este acondicionador de aire está equipado con un cable de suministro eléctrico provisto de un enchufe con tres terminales. Para reducir al mínimo el peligro de posibles choques eléctricos, el cable debe estar enchufado en un tomacorriente de 3 terminales, conectado a tierra de acuerdo con los códigos y las ordenanzas locales. Si no hay disponible un tomacorriente concordante, es responsabilidad del cliente hacer instalar un tomacorriente de 3 terminales con conexión a tierra por un instalador eléctrico competente. Es responsabilidad del cliente:

- Ponerse en contacto con un instalador eléctrico competente.
- Asegurarse de que la instalación eléctrica sea adecuada y de conformidad con el Código Nacional Eléctrico, ANSI/NFPA 70, última edición, y con todos los códigos y las ordenanzas locales.

Pueden obtenerse copias de las normas señaladas en:

National Fire Protection Association
1 Batterymarch Park
Quincy, MA 02269

Cable de suministro eléctrico— Todos los modelos

⚠ **ADVERTENCIA**



Peligro de Choque Eléctrico

Conecte a un contacto de pared de conexión a tierra de 3 terminales.

No quite la terminal de conexión a tierra.

No use un adaptador.

No use un cable eléctrico de extensión.

No seguir estas instrucciones puede ocasionar la muerte, incendio o choque eléctrico.

NOTA: El cable de suministro eléctrico de su acondicionador de aire puede diferir del que se muestra.

Este acondicionador de aire para habitación está equipado con un cable de suministro eléctrico requerido por UL. El cable de suministro eléctrico tiene componentes electrónicos de avanzada que detectan corriente de fuga. Si el cable se rompe, los componentes electrónicos detectan la corriente de fuga y la energía se desconectará en una fracción de segundo.

Cable de suministro eléctrico— Todos los modelos

Para poner a prueba el cable de suministro eléctrico:

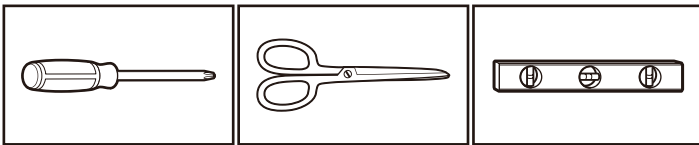
1. Conecte el cable de suministro eléctrico en un contacto de pared con conexión a tierra de 3 terminales.
2. Presione RESET (Restablecer) (en algunos modelos, se encenderá una luz verde).
3. Presione TEST (Prueba) (escuche un clic; el botón Reset (Restablecer) se desconectará y, en algunos dispositivos, una luz verde se apagará).
4. Presione y suelte RESET (Restablecer) (escuche un clic; el botón Reset (Restablecer) se trabará y, en algunos dispositivos, una luz verde se encenderá). El cable de suministro eléctrico está listo para el funcionamiento.

NOTAS:

- El botón Reset (Restablecer) debe estar presionado para el funcionamiento adecuado.
- El cable de suministro eléctrico se debe reemplazar si no se desconecta cuando se presiona el botón de prueba o si no se restablece.
- No use el cable de suministro eléctrico como interruptor para apagar/encender. El cable de suministro eléctrico ha sido diseñado como un dispositivo de protección.
- Un cable de suministro eléctrico se debe reemplazar con un nuevo cable de suministro eléctrico obtenido del fabricante del producto y no se debe reparar.
- El cable de suministro eléctrico no tiene piezas que pueda reparar el usuario. Todos los reclamos por desempeño y de garantía quedan anulados si se abre el estuche resistente a manipulaciones no autorizadas.

Herramientas requeridas— Todos los modelos

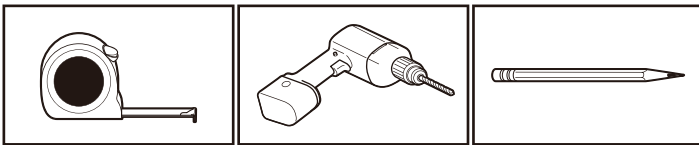
Reúna las herramientas y las piezas necesarias antes de comenzar la instalación. Lea y siga las instrucciones provistas con cualquiera de las herramientas detalladas aquí.



Destornillador Phillips

Tijeras

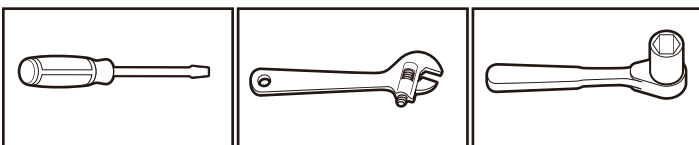
Nivel



Cinta métrica

Taladro inalámbrico
y broca de 1/8"

Lápiz



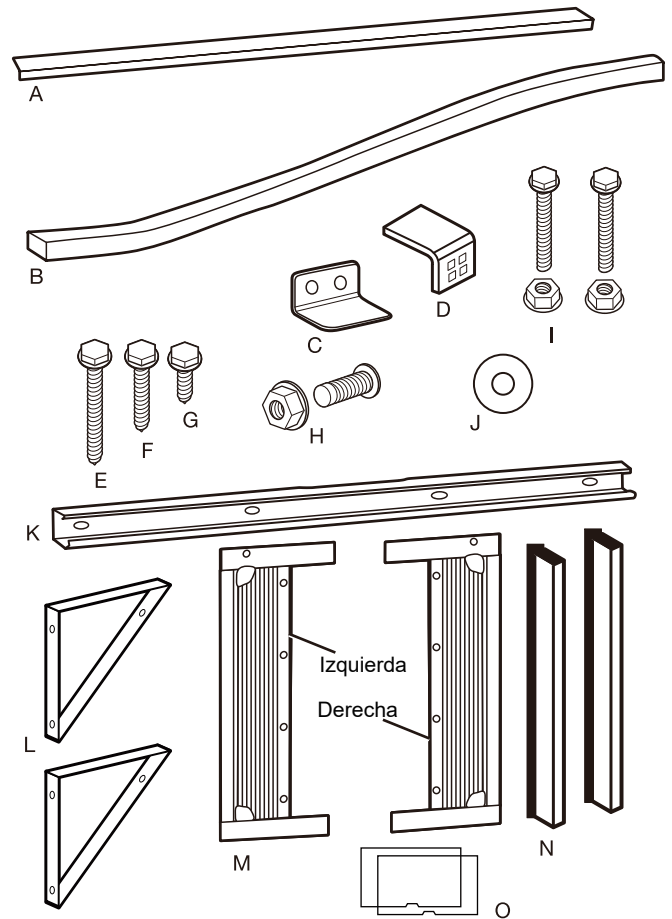
Destornillador de
hoja plana

Llave ajustable
o pinzas

Llave de tubo

Piezas suministradas-18,000-24,000 BTU Modelos

Verifique que todas las piezas estén incluidas en el paquete de piezas.



A. Junta de espuma con tira adhesiva

B. Junta de espuma sin tira adhesiva

C. Cierre de ventana

D. Soporte de ángulo de umbral x2

E. Tornillo de cabeza disco de 5/8"x4

F. Tornillo de cabeza disco de 1/2"x2

G. Tornillo de cabeza disco de 5/16"x10

H. Tornillo de cabeza plana de 5/8' con
contratuercas x2

I. Tornillo de cabeza plana de 1/2' con
contratuercas x4

J. Arandela x2

K. Canal superior (el aspecto puede
variar)

L. Soporte de ventana x2

M. Paneles laterales x 2

N. Retenedores laterales x 2

O. Sello de panel (adhesivo) x 2

Otros: baterías AAA x 2

Requisitos de ubicación -Instalación de ventanas

IMPORTANTE: Respete todos los códigos y ordenanzas vigentes.

Compruebe la ubicación donde se instalará el acondicionador de aire.

Asegúrese de que dispone de todo lo necesario para la correcta instalación.

La ubicación debe proporcionar:

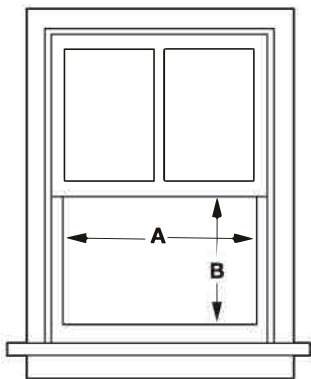
- Toma eléctrica con conexión a tierra a menos de 4.9 ft (150cm) de donde el cable de alimentación sale del acondicionador de aire. No utilice un alargador.

El lugar debe tener:

- Un tomacorriente eléctrico con conexión a tierra a una distancia máxima de 6 pies (183 cm) del lugar donde el cable eléctrico sale del acondicionador de aire. No use un cable eléctrico de extensión.
- Libertad de movimiento del aire en la habitación que desea enfriar.
- Una abertura con la amplitud suficiente para el acondicionador de aire. Se proveen piezas de instalación para las ventanas de guillotina.
NOTA: Puede instalar el acondicionador de aire sin los paneles laterales para acomodarlo en un marco de ventana estrecho.
- Un soporte adecuado en la pared para el peso del acondicionador de aire.
- Una superficie de madera, mampostería o metal para fijar las piezas de soporte.

NOTA: No deben obstruirse las rejillas del gabinete. El aire debe moverse con libertad a través las rejillas del gabinete.

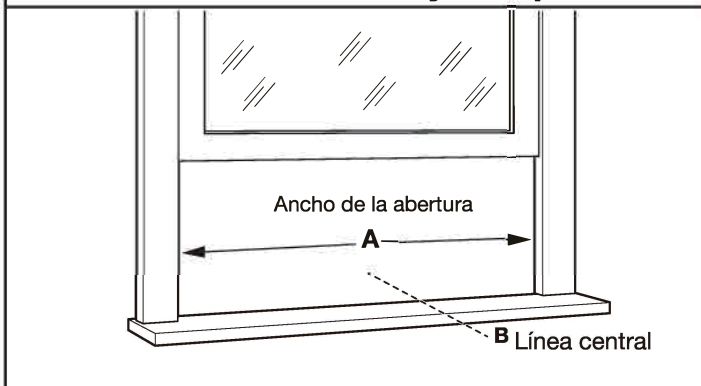
Medidas de la abertura de una ventana



Btu de modelo	Ancho (A)	Apertura mínima (B)
18,000	28"-41" (71.1 cm-104.2 cm)	19" (48.3 cm)
24,000	30"-41" (76.2 cm-104.2 cm)	19½" (49.5 cm)

Preparación de la abertura del ventana

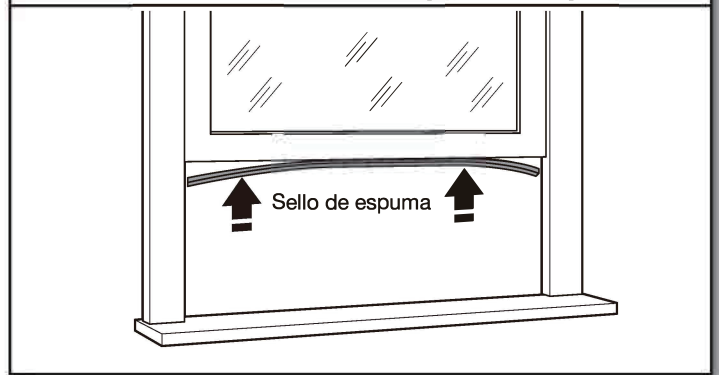
1. Mida la línea central y marque.



Mida el ancho de la abertura de la ventana (A).

Marque la línea central (B) de la ventana sobre el alféizar en el interior.

2. Instale el sello de espuma superior



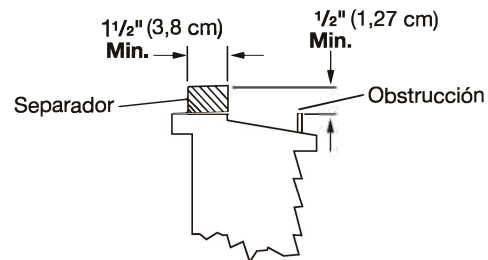
Fije el sello de espuma con la banda adhesiva a la parte inferior de la hoja de la ventana.

Preparación de una ventana con contraventana u otra obstrucción

Siga los pasos de "Prepare la abertura de la ventana". Si es posible, retire el marco de la contraventana u otra obstrucción.

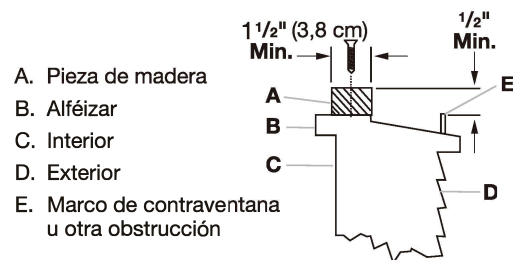
Si el marco de la contraventana o de la obstrucción NO se puede retirar, se requerirá un separador de madera para garantizar que el acondicionador de aire tenga pendiente hacia afuera. Esto permitirá que la condensación y el agua de lluvia drenen hacia afuera. Asegúrese de que los orificios de drenaje no estén calafateados ni bloqueados con pintura.

1. Mida el tamaño del separador que necesita



Use un nivel y una cinta métrica para determinar el espesor del separador de madera necesario para permitir que el acondicionador de aire se deslice ligeramente hacia abajo y hacia el exterior. El bloque debe proporcionar al menos 1/2" (1,27 cm) de altura por encima de la obstrucción.

2. Coloque el bloque sobre el alféizar



- A. Pieza de madera
- B. Alféizar
- C. Interior
- D. Exterior
- E. Marco de contraventana u otra obstrucción

Coloque el separador de madera sobre el alféizar. El separador debe tener como mínimo el ancho completo del gabinete del acondicionador de aire. Asegure el espaciador de madera al alféizar de la ventana.

INSTRUCCIONES DE INSTALACIÓN PARA LA VENTANA – MODELES DE 18,000 -24,000 BTU

Prepare el acondicionador de aire
para la instalación

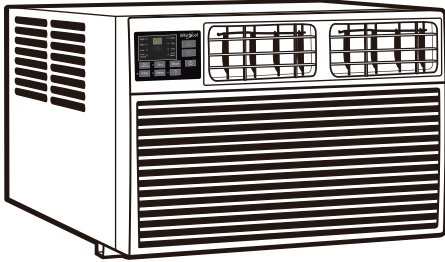
⚠ **ADVERTENCIA**

Peligro de Peso Excesivo

Use dos o más personas para mover e instalar el acondicionador de aire.

No seguir esta instrucción puede ocasionar una lesión en la espalda u otro tipo de lesiones.

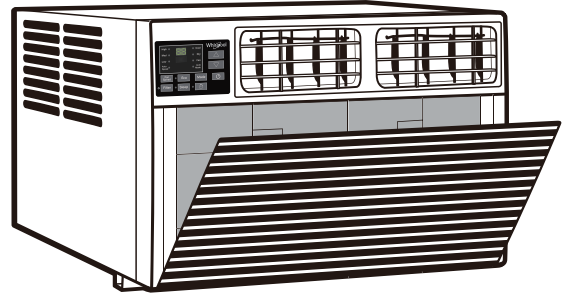
1. Desempaque el acondicionador de aire



Retire los materiales de empaque:

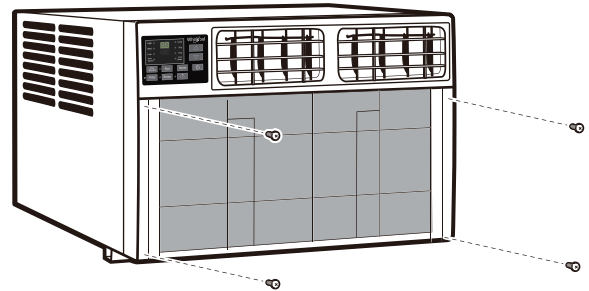
- Manipule con cuidado el acondicionador de aire mientras lo desempaca.
- Coloque el acondicionador de aire sobre una superficie plana y sólida.
- Retire la cinta y los residuos de adhesivo de las superficies antes de encender el acondicionador de aire. Frote un poco de detergente líquido para vajilla sobre el adhesivo con los dedos. Limpie con un paño húmedo y seque.
- No use instrumentos filosos, alcohol para fricciones, líquidos inflamables o limpiadores abrasivos para eliminar los restos de cinta o de adhesivo. Esos productos pueden dañar la superficie de su acondicionador de aire.
- Retire todo el material de empaque insertado en las persianas laterales.
- Deseche o recicle el material de empaque de manera adecuada.

2. Retire el filtro y el panel frontal



Baje el panel frontal y retire el filtro. Levante el panel frontal y retírela del acondicionador de aire. Coloque a lado.

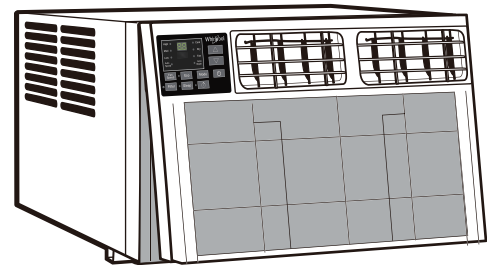
3. Retire los tornillos de la placa frontal



Retire los cuatro tornillos de la placa frontal.

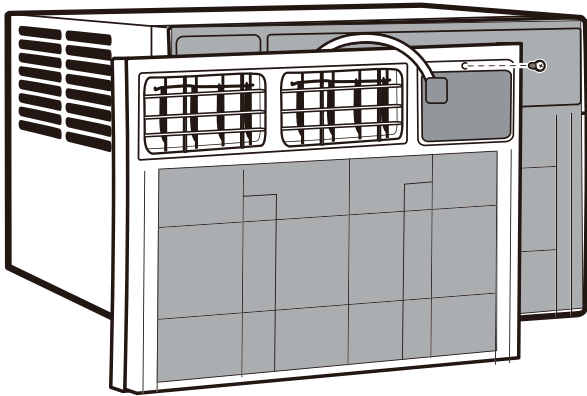
NOTA: Debe volver a instalar los tornillos de la placa frontal antes de montar el acondicionador de aire.

4. Retire la placa frontal



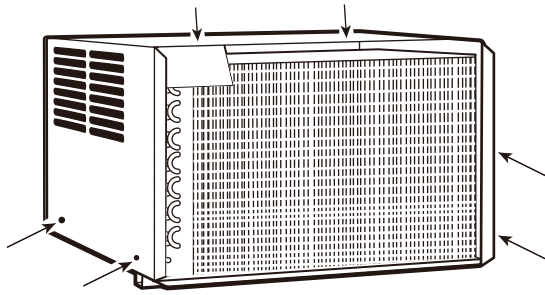
Con cuidado, retire la placa frontal de la gabinete del acondicionador de aire

5. Retire tornillo del panel de control



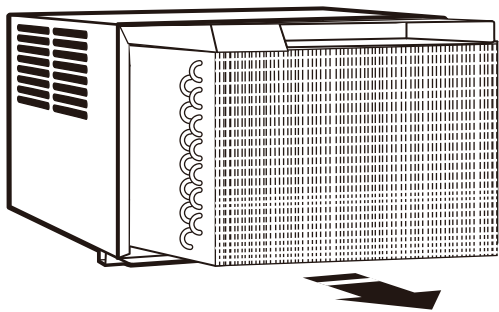
Retire el tornillo del panel de control de la placa frontal.

6. Quitar los tornillos laterales



Quite los seis tornillos del lado superior y del lado izquierdo y derecho del gabinete.

7. Retire el chasis



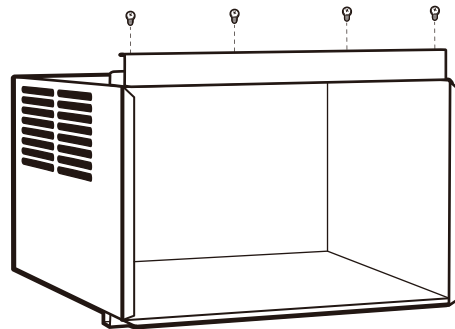
IMPORTANTE:

Para evitar daños, no tire ni levante cerca de la parte superior de la unidad.

Sostenga el gabinete mientras tira de la empuñadura de la base para retirar cuidadosamente la unidad.

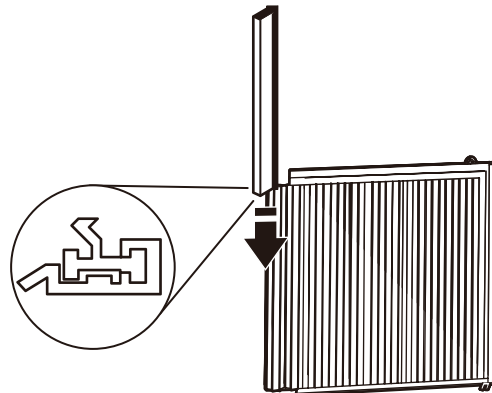
Instale canal superior y soporte lateral

1. Instale el canal superior



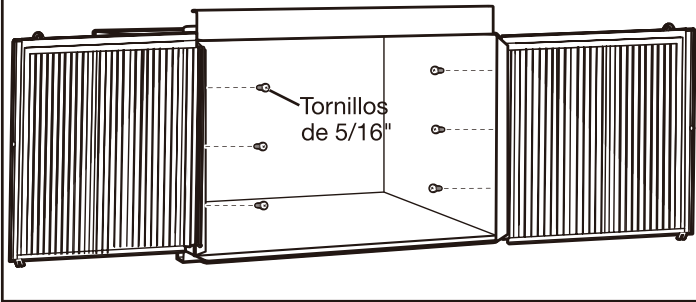
Fije el canal superior al gabinete del acondicionador de aire con cuatro tornillos hexagonales de 5/16".

2. Paneles laterales deslizantes



Deslice la sección "I" del panel de la ventana en el soporte lateral del gabinete. Haga esto en ambos lados.

3. Instale los paneles laterales



Inserte las patas superior e inferior del marco del panel de relleno de la ventana en el canal de ángulo superior y el canal inferior. Fije con tornillos de 5/16". Repita en el otro lado e instale la pieza de retención lateral en el gabinete.

Instale el acondicionador de aire en una ventana

⚠ ADVERTENCIA

Peligro de Peso Excesivo

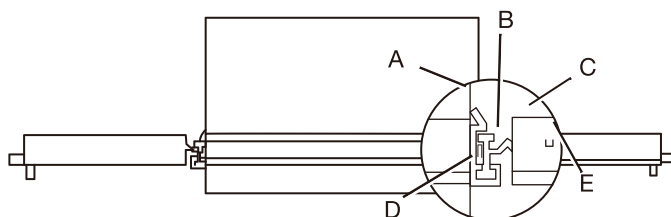
Use dos o más personas para mover e instalar el acondicionador de aire.

No seguir esta instrucción puede ocasionar una lesión en la espalda u otro tipo de lesiones.

IMPORTANTE:

- Cerciórese de que el acondicionador de aire no se caiga de la abertura durante la instalación o la remoción.
- El lugar de donde sale el cable de suministro eléctrico del acondicionador de aire no deberá estar a más de 150 cm (4.9 pies) de un contacto con conexión a tierra.
- Para maximizar la eficiencia de enfriamiento y la circulación de aire, no bloquee la entrada de aire ni las rejillas de descarga en el panel frontal.
- Para reducir el ciclo de encendido y apagado del compresor, así como el riesgo de congelamiento o daño de la unidad, no bloquee las rejillas ubicadas en la parte exterior del acondicionador de aire.

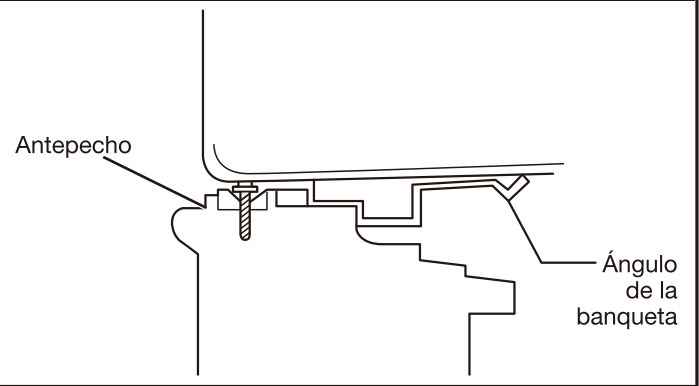
1. Coloque el acondicionador de aire en ventana



- | | |
|---------------------------|-------------------------------------|
| A. Acondicionador de aire | D. Sección "I" |
| B. Panel lateral | E. Orificio de tornillo de sujeción |
| C. Marco plástico | |

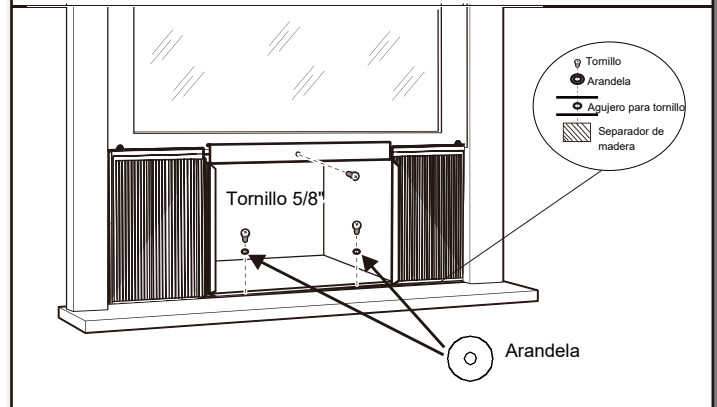
Con la ayuda de dos o más personas, coloque el acondicionador de aire en la abertura de una ventana para que la parte inferior está contra del antepecho.

2. Cierre la ventana



Asegúrese de que el canal inferior se asiente sobre el alféizar de la ventana, como se ilustra. Baje temporalmente la ventana detrás del canal de ángulo superior para sostener el gabinete en su lugar. Incline la parte posterior de la unidad ligeramente hacia abajo para permitir el drenaje de agua de lluvia acumulada.

3. Fijar el gabinete



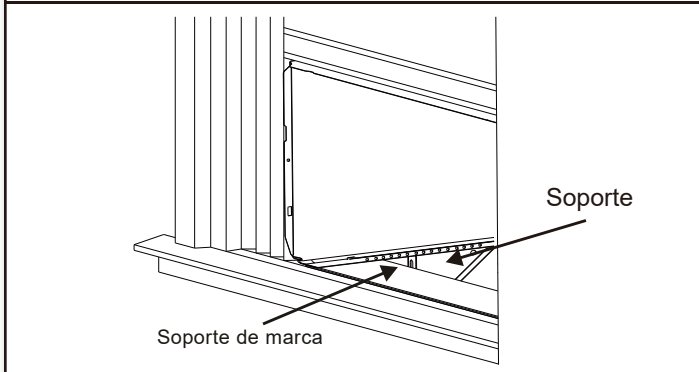
NOTA: Si es necesario, taladre previamente agujeros en el alféizar de la ventana.

Fije el gabinete al alféizar de la ventana utilizando dos tornillos de cabeza hexagonal de 5/8". Fije el tornillo a través del espaciador de madera que se menciona en la página 6, en la sección «Preparación de la ventana con ventana contra tormentas u otra obstrucción». Para los modelos de 24,000 BTU, utilice los dos tornillos de 5/8" para proteger el gabinete.

Instalación de los soportes

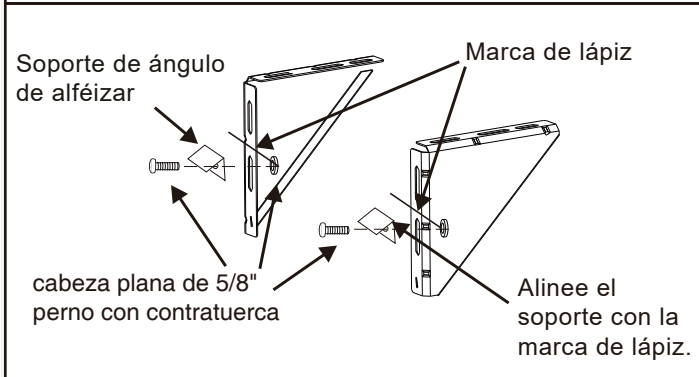
NOTA: Fije cortinas al acondicionador de aire antes de colocar el acondicionador de aire en la ventana.

1. Marque las ubicaciones de soportes



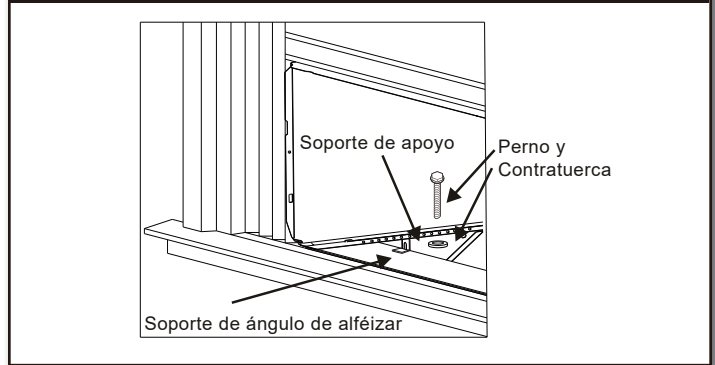
Sostenga cada soporte de soporte al ras contra el exterior del alféizar de la ventana. Apriete cada soporte a la parte inferior del gabinete con perno de cabeza plana de 1/2" con contratuerca. Con un lápiz, marque el soporte donde la parte superior del alféizar de la ventana se encuentra con el soporte. Retire los soportes.

2. Ensamble los soportes



Fije los soportes angulares del alféizar a los soportes de soporte con un perno de cabeza plana de 5/8" con contratuerca como se muestra. Apriete los tornillos a mano libremente para adaptarse a los cambios que puedan ser necesarios más adelante en instalación.

3. Fije soportes montados



Fije los soportes (con los soportes del alféizar adjuntos) a la parte inferior del gabinete con un perno de cabeza plana de 1/2" con tuerca de seguridad que se muestra. Asegúrese de que los soportes del alféizar descansen sobre el alféizar de la ventana como se muestra. Incline la parte posterior de la unidad ligeramente hacia abajo para permitir la acumulación de lluvia agua para drenar. Apriete los seis pernos de forma segura.

Instale el chasis en el gabinete

⚠ ADVERTENCIA

Peligro de Peso Excesivo

Use dos o más personas para mover e instalar el acondicionador de aire.

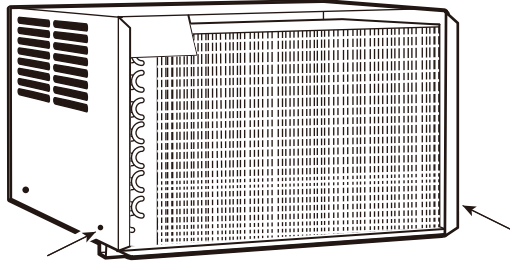
No seguir esta instrucción puede ocasionar una lesión en la espalda u otro tipo de lesiones.

1. Volver a colocar chasis del acondicionador de aire

IMPORTANTE: Para evitar daños a la unidad, no empuje en los controles o elementos con aletas.

Con la ayuda de dos o más personas, levante el chasis del acondicionador de aire y deslice con cuidado en la gabinete. Asegúrese de que el chasis esté asentado con firmeza en la parte posterior del gabinete.

2. Rearmar el acondicionador de aire

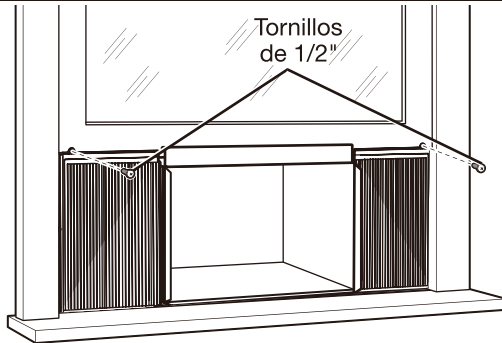


Vuelva a ajustar los dos tornillos al gabinete que está cerca del panel lateral, tanto a la izquierda como a la derecha.

Vuelva a instalar la placa frontal, el panel frontal, y el filtro de aire. Consulte la sección "Prepare el acondicionador de aire para la instalación" para obtener más información.

Extiende paneles laterales

1. Afloje tornillos de sujeción

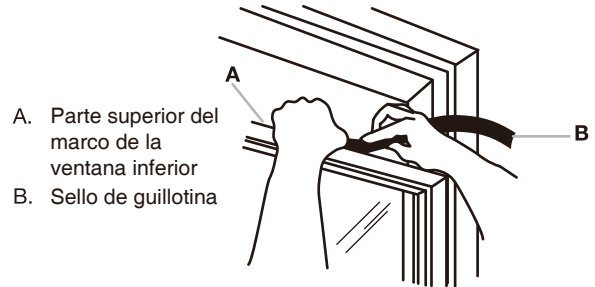


Extienda el panel lateral y el marco del panel. Sujete el panel lateral con dos tornillos de cabeza hexagonal de 1/2" tanto a la derecha como a la izquierda al marco de la ventana.

Instale bloqueo de ventana y banda del marco

NOTA: Coloque cortinas en el gabinete del acondicionador de aire antes de colocar el gabinete del aire acondicionado en la ventana.

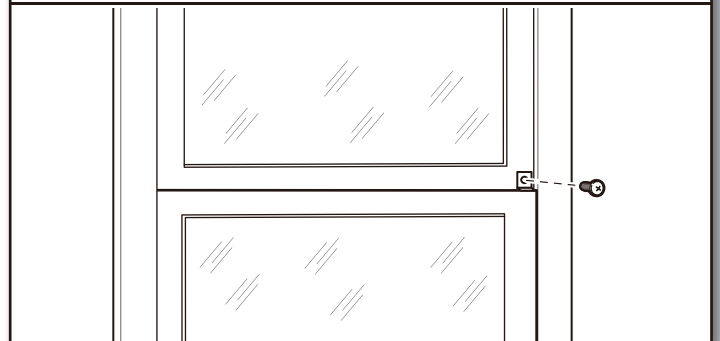
1. Inserte banda del marco



- A. Parte superior del marco de la ventana inferior
- B. Sello de guillotina

Recorte la banda del marco para ajustarla al ancho de la ventana. Inserte la banda del marco en el espacio entre las bandas superior e inferior.

2. Conecte el cierre de seguridad de ángulo recto



Conecte el cierre de seguridad de ángulo recto con un tornillo hexagonal de 5/8".

INSTRUCCIONES DE INSTALACIÓN PARA LA VENTANA— MODELOS DE 18,000-24,000 BTU

Herramientas adicionales necesarias

Reúna las herramientas y las piezas necesarias antes de comenzar la instalación. Lea y siga las instrucciones provistas con todas las herramientas que se enumeran.

- Marco de madera
- Suplementos
- 10 tornillos para madera – de un mínimo de 1" (2,54 cm) de largo

Selección del lugar de instalación en la pared

El acondicionador de aire tiene un chasis deslizante que le permite instalar el equipo a través de una pared exterior.

Grosor máximo de la pared: 8" (20,32 cm)

IMPORTANTE: Para asegurarse el flujo de aire adecuado, las persianas de lado nunca deben estar bloqueadas.

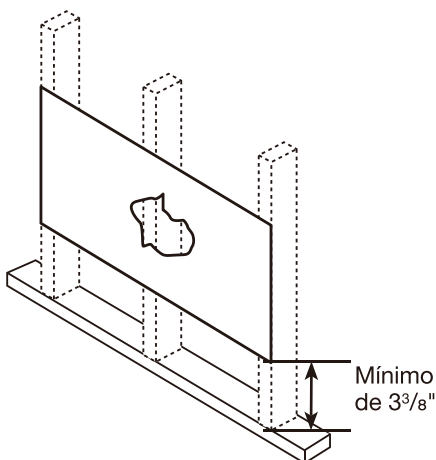
Requisitos de la pared:

- Permite el flujo de aire sin obstrucciones desde la parte posterior y los lados del acondicionador de aire
- Cerca de tomacorrientes existentes o donde pueda o vaya a instalar un tomacorriente
- No soporta cargas estructurales de gran envergadura, como construcción de marcos en los extremos de las ventanas, puntos que soportan entramados, etc.
- No incluye piezas de fontanería ni cableado en su interior
- No tiene objetos que bloqueen las ventilaciones de aire
- La distancia entre la unidad y el tomacorriente debe ser de 4.9'(150 cm).

Preparación del lugar de instalación en la pared

El acondicionador de aire tiene un chasis deslizante que le permite instalar el equipo a través de una pared exterior. Prepare la estructura de la pared (incluida la chapa de ladrillo y estuco).

1. Corte un orificio en los lados de la viga de pared central



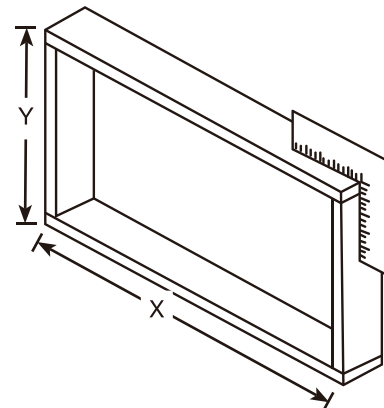
Trabajando del interior del habitación, encuentra la viga de pared más cercano al centro del sitio de instalación. Corte un orificio en cada lado de la viga de pared central, dejando al menos 3 3/8" (8,57 cm) debajo del orificio.

Siga la tabla a continuación a encontrar dimensiones de instalación. Mida entre los bordes interior de travesaño por medio.

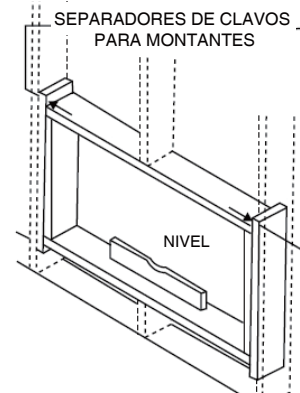
Ancho X = modelo interior más dos veces el grosor del material de marco utilizado.

Altura Y = altura del modelo interior más dos veces el grosor del material de marco utilizado.

	Modelos de 18K	Modelos de 24K
Altura del marco interior	18 1/4" (46,4 cm)	19 1/2" (49,5 cm)
Ancho del marco interior	23 7/8" (60,6 cm)	26 9/10" (68,3 cm)



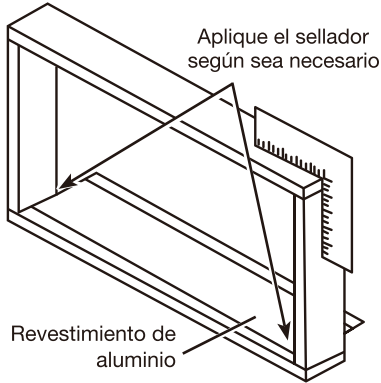
2. Construya marco



Construya un marco madera con las dimensiones internas para su modelo antes mencionados. La profundidad del marco debe ser la misma que el espesor de la pared. Llene el espacio adicional desde la abertura hasta los travesaños con espaciadores de madera, como se ilustra.

Clave los espaciadores en los travesaños. Estos deben quedar nivelados con la tabiquería.

NOTA: Si el grosor de la pared es de 8½" (21,59 cm) o más, añada revestimiento de aluminio en la parte inferior de la abertura del marco para asegurarse de que el agua no pueda ingresar al área entre la pared interior y la pared exterior.

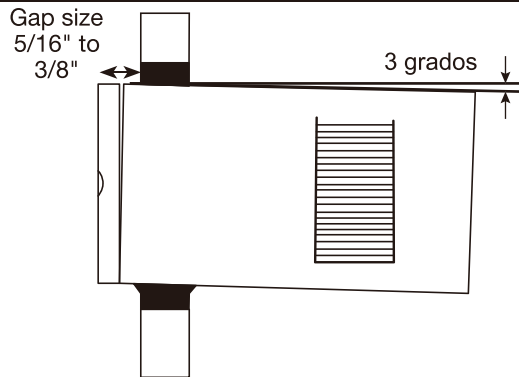


Prepare y instale el gabinete

1. Retire el chasis

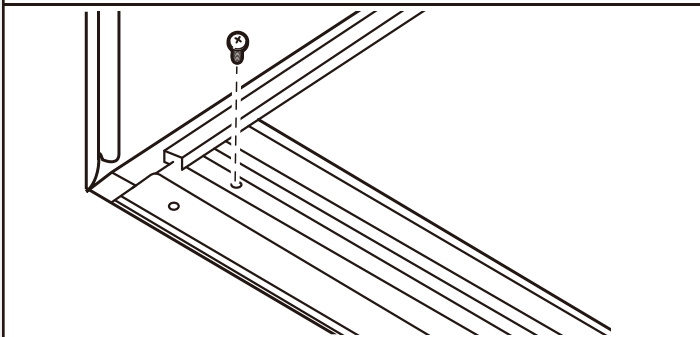
Deslice el chasis del gabinete. Vea la sección "Prepare acondicionador de aire para instalación" para más detalles.

2. Coloque y sitúe el gabinete



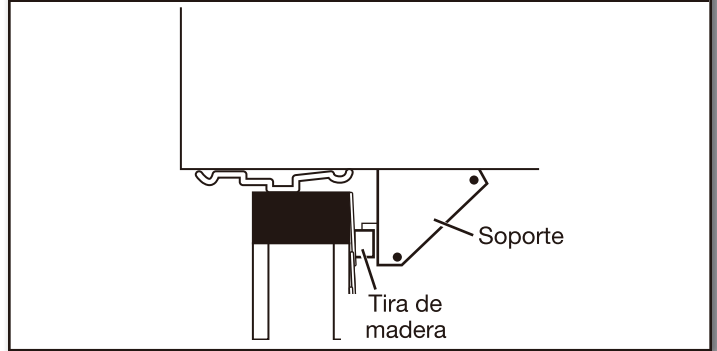
Coloque el gabinete en la abertura con el canal inferior apoyado con firmeza en el riel inferior del marco de madera. Coloque el gabinete de tal manera que quede inclinado correctamente para descargar el agua.

3. Segure el canal inferior al marco



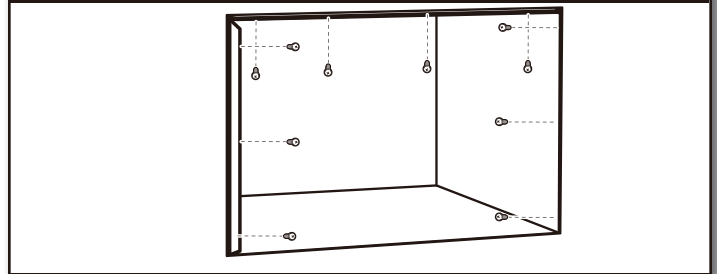
Segure el canal inferior al marco de madera con dos tornillos grandes para madera de 1" (2,5 cm).

4. Ensamble y fije los soportes



Ensamble soportes. Vea "Ensamble los soportes" en la sección "Instrucciones de instalación en la ventana— Modelos de 6,000-12,000 Btu" section. Clave un rastrel de madera en la pared exterior que usará en conjunto con los soportes montados en ángulo en el alféizar.

5. Segure gabinete y instale chasis



Si el marco es de gran tamaño, atornille o clave el gabinete en el marco de madera usando cuñas para eliminar la posibilidad de ruido. Recuerde mantener una pendiente adecuada para la descarga de agua.

Vuelva a instalar el chasis en el gabinete. Vea la sección "Instale el chasis en el gabinete".

Construcción de mampostería

1. Corte o construya una abertura de pared en la pared de mampostería que sea similar a la construcción del marco. Consulte la sección "Instrucciones de instalación en pared – Modelos 240 V" en caso de un grosor de pared superior a 8½" (21,59 cm).
2. Asegure el gabinete en su lugar con clavos de mampostería o tornillos de anclaje para mampostería. O bien, construya un marco según las instrucciones de la sección "Instrucciones de instalación en pared – Modelos 240 V".
3. Asegúrese de que la mampostería sobre el gabinete cuente con un buen soporte. Use los orificios existentes en el gabinete u orificios adicionales perforados para fijar el gabinete en varias posiciones. Asegúrese de que las rejillas laterales no tengan obstrucciones.
4. Instale los soportes montados del gabinete exterior de acuerdo con "Preparación e instalación del gabinete" en la sección "Instrucciones de instalación en pared – Modelo 240 V". Calafatee o revista con aluminio, si es necesario. Esto permitirá sellar herméticamente las áreas superior y laterales del gabinete.
5. Para que la instalación resulte más estética, aplique moldura de terminación en madera a los lados del gabinete sin obstruir las rejillas laterales.

USO DEL ACONDICIONADOR DE AIRE



Operar el acondicionador de aire correctamente le ayuda a obtener la mejores resultados posibles.

Esta sección le explica cómo operar su acondicionador de aire debidamente.

IMPORTANTE:

- Si apaga el acondicionador de aire, espere por lo menos 3 minutos antes de volver a ponerlo en marcha. Eso evitará que se queme un fusible del hogar o se dispare un cortacircuitos a causa del acondicionador de aire.
- DNo intente operar el acondicionador de aire en el modo Cool (Enfriar) cuando la temperatura exterior sea menor de 65 °F (18 °C). El serpentín del evaporador interior se congelará y el acondicionador de aire no funcionará debidamente.

NOTA: En caso de un corte de electricidad, el acondicionador de aire funcionará con los ajustes previos cuando se restablezca la electricidad.

Cómo encender el acondicionador de aire

1. Presione POWER (Encendido) para encender el aire acondicionado.
2. Presione POWER (Encendido) para apagar el aire acondicionado.



Selección del modo

1. Presione MODE (Modo) para avanzar por los modos.
 2. Elegir modos: Cool(Enfriar), Dry(Secado), Fan(Ventilador), Auto Mode(Automático) o Heat(Calor).
- (❄️)Enfriar —Enfría el aire de la habitación y reduce la humedad del aire. Presione MODE (Modo) a activar la función enfriamiento. Presione las flechas hacia arriba o hacia abajo para regular la temperatura de ajuste hacia arriba o hacia abajo.
 - (💧)Secado —Reduce la humedad del aire. Presione MODE (Modo) para fijar el modo Dry. Se activa una función automática de ciclos de enfriamiento y ventilador de aire alternados.
 - (🌀)Ventilador —solo funcionará el ventilador. Presione Modo para fijar el modo 🌀 (Ventilador). Presione Velocidad del ventilador para seleccionar Low (Bajo), MED (Media), y High (Alto).



- (Auto Mode) Modo automático: En modo Automático, la unidad elige de manera automática la velocidad del ventilador y el modo de operación (Enfriamiento, Seco o Ventilador). En este modo la velocidad del ventilador y la temperatura se establecen de manera automática de acuerdo con la temperatura de la habitación (comprobado por el sensor de temperatura que se encuentra incorporado en la parte interior de la unidad).
- (🔥) Calor: La función de calentar permite que el acondicionador de aire caliente la habitación. Presionar MODE(Modo) para activar la función de calentar. Para optimizar el funcionamiento del aire acondicionado, ajuste la temperatura y la velocidad del ventilador.

NOTA: Después 5 segundos, la pantalla volverá a la temperatura ambiente actual.

Características

- (🌿) Modo ecológico : Cuando la habitación alcanza la temperatura requerida, apague el compresor para ahorrar energía. El motor del ventilador funcionará durante 1 minuto, se detendrá durante 5 minutos y luego volverá a funcionar. El compresor se reiniciará cuando la temperatura ambiente suba por encima de la temperatura establecida. Presione eco para encender y apagar la función eco. cuando el dispositivo esté en modo eco, el indicador se encenderá.
- (🛏️) Modo dormir : ajusta automáticamente la temperatura y la velocidad del ventilador para asegurarse de que la temperatura de la habitación sea más agradable durante la noche. Mantenga presionado el botón 🛏️ (Dormir) hasta que se encienda la luz de funcionamiento nocturno. Todos los demás indicadores se apagarán. La temperatura establecida aumentará automáticamente 1 grado cada 30-60 minutos. Al final del ciclo de sueño, la temperatura volverá a la temperatura establecida inicialmente.



Cómo seleccionar la velocidad del ventilador

1. Presione Ventilador hasta que se ilumine la luz indicadora del ajuste deseado.
 2. Seleccione High (Alto), Med (Media), o Low (Baja).
- (🌀) Baja —Velocidad baja
 - (🌀) Media —Velocidad normal
 - (🌀) Alto —Velocidad máximo

NOTAS:

- (Auto) Automático -Ni la temperatura ni la velocidad del ventilador Automática pueden seleccionarse en el modo Solo ventilador.
- En los modos Modo dormir, la velocidad del ventilador Automática se selecciona automáticamente.



Cómo regular la temperatura

Presione la flecha hacia arriba para aumentar la temperatura de ajuste.

Presione el botón con la flecha hacia abajo para disminuir la temperatura de ajuste.



NOTA: Después 5 segundos, la pantalla volverá a la temperatura ambiente actual.



Uso del temporizador

Apagado diferido:

Use el temporizador para ajustar el acondicionador de aire para que se apague automáticamente después de un retraso de 0,5 a 24 horas (el acondicionador de aire debe estar encendido):

1. Presione  (Temporizador). La pantalla mostrará las horas restantes antes de que el acondicionador de aire se apague.
2. Presione los botones con las flechas hacia arriba o hacia abajo para cambiar el tiempo de retraso de 0,5 a 24 horas. Puede ajustar el tiempo en incrementos de 0,5 horas, para un período de menos de 10 horas, e incrementos de 1 hora para un período de 10 horas o más.
3. Presione  (Temporizador) nuevamente para confirmar el ajuste.






NOTA: La luz SET se enciende mientras se ajusta.

Inicio diferido:

También se puede ajustar el acondicionador de aire para que se encienda automáticamente después de un retraso de 0,5 a 24 horas.

NOTA: Después del retraso ajustado, el acondicionador de aire se enciende con los ajustes anteriores. Cambie el modo, la velocidad del ventilador y/o la temperatura antes de ajustar el temporizador, si lo desea.

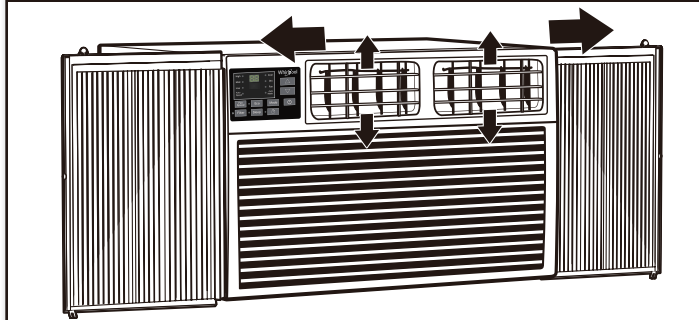
1. Apague el acondicionador de aire.
2. Presione  (Temporizador). Presione las flechas arriba o hacia abajo para fijar la temperatura.
3. Presione  (Temporizador) nuevamente para fijar el retraso. Presione los botones con las flechas hacia arriba o hacia abajo para cambiar el tiempo de retraso de 0,5 a 24 horas.
4. Presione  nuevamente mientras se muestra el tiempo restante en la pantalla.

Para cancelar el temporizador:

Después de ajustar el temporizador, presione  (Temporizador).

Cómo cambiar la dirección del aire

Use la lengüeta para ajustar la dirección del aire



Use la rueda selectora en las persianas de ventilación para regular la dirección del aire hacia la izquierda o la derecha.

Sonidos operativos normales

Cuando el acondicionador de aire está funcionando normalmente, es posible que oiga sonidos como:

- Gotas de agua que golpean el condensador y producen una detonación o un chasquido. Las gotas de agua ayudan a enfriar el condensador.
- Movimiento de aire del ventilador.
- Chasquidos del ciclo del termostato.
- Vibraciones o ruido causados por la construcción deficiente de la pared o de la ventana.
- Un zumbido agudo o un ruido pulsante producido por el ciclo de encendido y apagado del moderno compresor de alta eficiencia.
- Se acumula agua en la bandeja de la base durante la lluvia o durante el día, si el índice de humedad es alto. El agua puede desbordarse y gotear desde la parte exterior de la unidad.

Recordatorio de limpieza del filtro

Para ayudar a maximizar la eficiencia del consumo de energía, este acondicionador de aire tiene un recordatorio de limpieza del filtro.



Después de 500 horas de funcionamiento, FILTER como recordatorio de que es hora de limpiar el filtro. Después de que se enciende la luz, puede apagarla presionando el botón FILTER (Filtro). Consulte la sección "Cuidado del acondicionador de aire" para ver instrucciones sobre cómo limpiar el filtro.

Cómo usar el control remoto



(⏻) Encendido

1. Presione POWER (Encendido) para encender el acondicionador de aire.
2. Presione POWER (Encendido) nuevamente para apagar el acondicionador de aire.

(❄️) Enfriar

Presione COOL para encender modo Cool (Enfriar).

(🌀) Velocidad del ventilador

1. Presione FAN SPEED (Velocidad del ventilador) hasta ver el LED de barras del ajuste deseado en la pantalla del panel de control del acondicionador de aire.
2. Seleccione Low (Baja), Medium (Media) o High (Alta).

NOTAS:

- Ni la temperatura ni la velocidad del ventilador (Automática) pueden seleccionarse en el modo (Solo ventilador).



(🌿) Modo ecológico

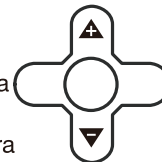
- ECO (Modo ecológico): conserva la energía apagando el compresor cuando la temperatura de la habitación es la deseada. El motor del ventilador funcionará durante un rato, se detendrá por un rato y luego, volverá a funcionar. El compresor volverá a encenderse cuando la temperatura de la habitación suba por sobre la temperatura ajustada. Presione ECO para encender y apagar la función ecológica. Cuando la unidad funciona en modo ECO, se enciende la



Cómo regular la temperatura

Presione la flecha hacia arriba para aumentar la temperatura de ajuste.

Presione el botón con la flecha hacia abajo para disminuir la temperatura de ajuste.



(🛌) Modo dormir

- Ajusta automáticamente la temperatura y la velocidad del ventilador para asegurarse de que la temperatura de la habitación sea más agradable durante la noche. Mantenga presionado el botón (Dormir) hasta que se encienda la luz de funcionamiento nocturno. Todas las luces de la izquierda se apagarán. La temperatura ajustada subirá automáticamente cada 30-60 minutos. Como máximo, la temperatura cambiará 6 veces hasta llegar a los 82 °F (28 °C). El tiempo de funcionamiento depende de la temperatura ajustada.



Uso del temporizador

Apagado diferido:

Use el temporizador para ajustar el acondicionador de aire para que se apague automáticamente después de un retraso de 0,5 a 24 horas (el acondicionador de aire debe estar encendido):






1. Presione (Temporizador). La pantalla mostrará las horas restantes antes de que el acondicionador de aire se apague.
2. Presione los botones con las flechas hacia arriba o hacia abajo para cambiar el tiempo de retraso de 0,5 a 24 hours. Puede ajustar el tiempo en incrementos de 0,5 horas, para un período de menos de 10 horas, e incrementos de 1 hora para un período de 10 horas o más.
3. Presione (Temporizador) nuevamente para confirmar el ajuste.

NOTA: La luz SET se encenderá mientras se ajusta.

Inicio diferido:

También se puede ajustar el acondicionador de aire para que se encienda automáticamente después de un retraso de 0,5 a 24 horas.

NOTA: Después del retraso ajustado, el acondicionador de aire se encenderá con los ajustes anteriores. Cambie el modo, la velocidad del ventilador y/o la temperatura antes de ajustar el temporizador, si lo desea.

1. Apague el acondicionador de aire.
2. Presione  (Temporizador). Presione las flechas arriba o hacia abajo para fijar la temperatura.
3. Presione  (Temporizador) nuevamente para fijar el retraso. Presione los botones con las flechas hacia arriba o hacia abajo para cambiar el tiempo de retraso de 0,5 a 24 horas.
4. Presione  nuevamente mientras se muestra el tiempo restante en la pantalla.

Para cancelar el temporizador:


Después de ajustar el temporizador, presione  (Temporizador).

() Modo Calor :

La función de calentar permite que el acondicionador de aire caliente la habitación. Presione este botón para activar la función de calentamiento. Para optimizar el funcionamiento del acondicionador de aire, ajustar la temperatura y la velocidad al presionar el botón indicado.





() Pantalla :

Presione  (Pantalla) para encender/apagar las luces o la pantalla LED.



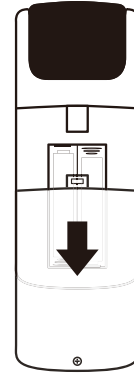
() Solo ventilador :

Presione  (Solo ventilador) para ingresar al modo  (Solo ventilador).



Cómo reemplazar las baterías

Retiro y colocación de las baterías



Utilice un destornillador Phillips pequeño para aflojar el tornillo de la cubierta de la batería. Usando los dos pulgares, deslice hacia abajo la cubierta de la batería para extraerla. Extraiga y elimine correctamente las baterías antiguas y luego, reemplácelas por dos baterías AAA nuevas. Vuelva a colocar la cubierta de la batería y apriete el tornillo.

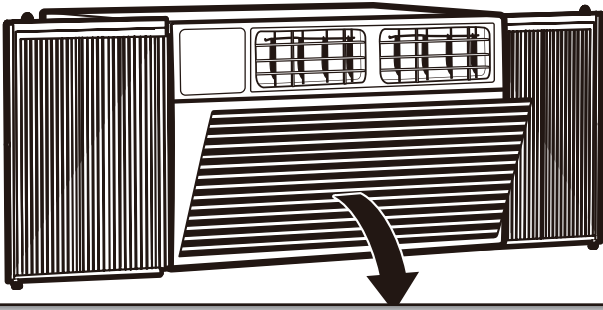
CUIDADO DEL ACONDICIONADOR DE AIRE

Su nuevo acondicionador de aire está diseñado para brindarle muchos años de servicio confiable. Esta sección le ofrece información acerca de la limpieza y el cuidado adecuados de su acondicionador de aire.

Remoción del filtro de aire — Inserto superior

En algunos modelos, el filtro de aire se encuentra detrás de la rejilla de toma del aire acondicionado.

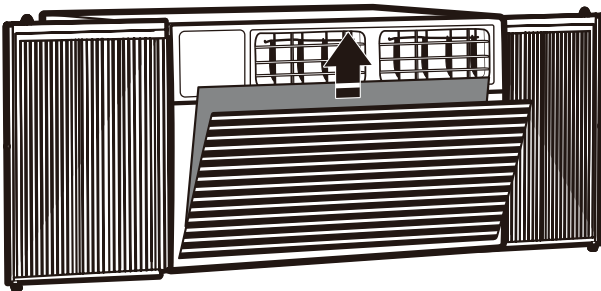
1. Cómo retirar la rejilla de toma



Apague el acondicionador de aire.

Saque el filtro de aire ejerciendo presión en las lengüetas de la rejilla de toma de aire y jalando la rejilla fuera del acondicionador de aire.

2. Cómo retirar el filtro de aire



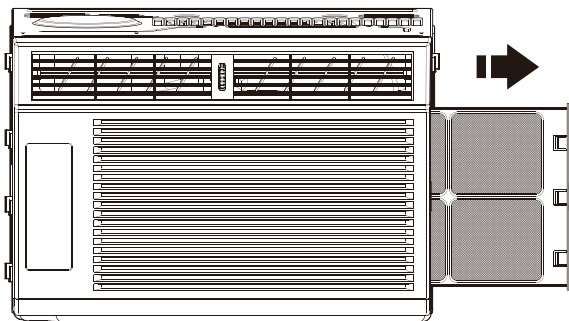
Saque el filtro de la rejilla levantándola para liberar las lengüetas con ranuras que están en la parte superior e inferior de la rejilla.

Cómo volver a instalar el filtro de aire:

1. Vuelva a sujetar el filtro de aire en la rejilla de toma de aire.
2. Inserte la rejilla de toma de aire en las ranuras del acondicionador de aire y encájela a presión en su lugar.

Remoción del filtro de aire — Inserto lateral

1. Cómo retirar el filtro de aire



En algunos modelos, el filtro de aire se desliza fuera del costado de la rejilla de toma.

Para retirar el filtro, aferre la lengüeta que hay en el filtro y tire de ella para retirarla de la rejilla hacia el costado.

Cómo volver a instalar el filtro de aire

1. Deslice nuevamente el filtro dentro de la rejilla.

Limpieza del filtro de aire

El filtro de aire se puede desmontar para facilitar su limpieza. Un filtro limpio ayuda a quitar el polvo, las pelusas y otras partículas del aire y es importante para una óptima eficiencia del enfriamiento y la operación. Revise el filtro cada 2 semanas para ver si debe limpiarlo.

NOTA: No haga funcionar el acondicionador de aire si el filtro no está colocado en su lugar.

Limpie el filtro de aire con una aspiradora. Si está muy sucio, lave el filtro con agua tibia y un detergente suave.

NOTA: No lave el filtro de aire en la lavavajillas ni use limpiadores químicos; eso puede dañar el filtro. Seque el filtro al aire antes de colocarlo nuevamente, para asegurar la máxima eficiencia.

Limpieza del panel frontal

1. Apague el acondicionador de aire.
2. Limpie el panel frontal con un paño suave y húmedo.
3. Seque al aire por completo el panel frontal.

Reparación de la pintura dañada

Revise una o dos veces al año si hay daños en la pintura. Esto es muy importante, especialmente en zonas cercanas a agua salada o cuando hay problemas de herrumbre. Si es necesario, retoque con un esmalte de buena calidad.


Almacenamiento durante el invierno

1. Retire el acondicionador de aire según las instrucciones de instalación.
2. Cubra el acondicionador de aire con una envoltura de plástico o coloque en el empaquetado original.

SOLUCIÓN DE PROBLEMAS

Antes de solicitar servicio, pruebe las sugerencias que se incluyen a continuación para ver si puede resolver el problema sin ayuda externa.

⚠ ADVERTENCIA



Peligro de Choque Eléctrico

Conecte a un contacto de pared de conexión a tierra de 3 terminales.

No quite la terminal de conexión a tierra.

No use un adaptador.

No use un cable eléctrico de extensión.

No seguir estas instrucciones puede ocasionar la muerte, incendio o choque eléctrico.

PROBLEMA	CAUSAS POSIBLES	SOLUCIONES RECOMENDADAS
El acondicionador de aire no se pone en marcha	El cable de suministro eléctrico está desenchufado.	Asegúrese de que el cable de alimentación esté enchufado a una toma de 3 puntas con conexión a tierra.
	Se ha fundido un fusible de la casa o se ha desconectado un disyuntor.	Revise si se ha disparado un cortacircuitos o si se ha fundido un fusible de la casa. Reemplace el fusible o restablezca el disyuntor.
	Corte de electricidad	El acondicionador de aire se volverá a poner en marcha cuando se restablezca la electricidad. Hay una active el retardo del fusible (aprox. 3 minutos) para evitar que se desconecte el compresor. Es posible que la unidad no comience a enfriar en forma normal durante 3 minutos después de volverla a encender.
	El cable de suministro eléctrico se ha desconectado [el botón Reset (Restablecer) ha saltado].	Presione el botón RESET (Restablecer) en el cable de suministro eléctrico. Si el botón Reset (Restablecer) no se mantiene activado, deje de usar el acondicionador de aire y comuníquese con un técnico de servicio calificado.
El acondicionador de aire no se está enfriando correctamente	El flujo de aire está restringido.	Asegúrese de que no haya cortinas, visillos ni muebles obstruyendo la parte frontal del acondicionador de aire.
	El control de la temperatura no esté correctamente fijado.	Baje la temperatura del termostato ajustada.
	El filtro de aire está sucio.	Lave el filtro. Vea la sección "Cuidad del acondicionador de aire".
	La temperatura de la habitación sea demasiado alta.	Espere más tiempo para que el acondicionador de aire enfríe la habitación.
	Hay escape de aire frío.	Cierre todas las puertas y/o ventanas abiertas por las que pueda ingresar aire tibio.
	Los serpentines de enfriamiento están congelados.	Vea "El acondicionador de aire se congela" a continuación.
El acondicionador de aire se congela	El hielo bloquea el flujo de aire.	Apague la unidad y deje que se descongele hasta que el hielo se derrita; a continuación, opérela con una velocidad más alta del ventilador. Si el problema continúa, comuníquese con el servicio al cliente.

PROBLEMA	CAUSAS POSIBLES	SOLUCIONES RECOMENDADAS
El control remoto no funciona	Las baterías están insertadas incorrectamente	Verifique que las baterías estén insertadas en la orientación correcta.
	Las baterías están agotadas.	Reemplace las baterías y deséchelas de manera responsable.
Gotea agua de la unidad en el lado exterior	El clima es caluroso y húmedo.	Esto es normal durante un período en zonas con mucha humedad. NOTA: No taladre un orificio en la parte inferior de la base metálica y la bandeja de condensado; eso reduciría el rendimiento del enfriamiento.
Gotea agua en el interior de la habitación	El acondicionador de aire no está debidamente nivelado.	Para un drenaje correcto del agua, asegúrese de que el acondicionador de aire esté ligeramente inclinado hacia abajo y hacia el exterior. Nivele el acondicionador de aire de manera que tenga una inclinación hacia abajo y hacia el exterior, para asegurar el debido drenaje. Vea las instrucciones de instalación. NOTA: No taladre un orificio en la parte inferior de la base metálica y la bandeja de condensado; eso reduciría el rendimiento del enfriamiento.
Se acumula agua en la bandeja de la base	La humedad que se extrae del aire se drena en la bandeja de la base.	C'est normal. L'eau qui se rassemble dans le bac de base s'évapore vers l'extérieur. Cela contribue au processus de refroidissement de l'unité. NOTA: No taladre un orificio en la parte inferior de la base metálica y la bandeja de condensado; eso reduciría el rendimiento del enfriamiento.

AYUDA O SERVICIO TÉCNICO

Antes de solicitar ayuda o servicio técnico, consulte la sección "Solución de problemas". Esto le podría ahorrar el costo de una visita de servicio técnico. Si igualmente necesita ayuda, siga las instrucciones que aparecen a continuación.

Cuando llame, tenga a mano la fecha de compra y el número completo de modelo y de serie de su electrodoméstico. Esta información nos ayudará a atender mejor a su solicitud.

En EE. UU.

Llame al servicio al cliente de XLS Products sin costo alguno al:
1-800-207-1156.

Nuestros consultores ofrecen ayuda para:

- Características y especificaciones de nuestra línea completa de electrodomésticos.
- Información sobre la instalación.
- Procedimientos de uso y mantenimiento.
- Venta de accesorios y piezas para reparación.
- Asistencia al cliente especializada.
- Recomendaciones de distribuidores locales, distribuidores de piezas para reparación y compañías que dan servicio. Los técnicos de servicio designados por XLS Products están capacitados para cumplir con la garantía del producto y ofrecer servicio después de la garantía en cualquier lugar de los Estados Unidos.

Para obtener más asistencia:

Si necesita asistencia adicional, puede escribir a XLS Products con sus preguntas o dudas a:

XLS Products, Inc.
Customer Service
P.O. Box 16262
Philadelphia, PA 19114-0262

Incluya en su correspondencia un número de teléfono en el que se le pueda localizar durante el día.

En Canadá

Llame al servicio al cliente de XLS Products sin costo alguno al:
1-800-207-1156.

Nuestros consultores ofrecen ayuda para:

- Características y especificaciones de nuestra línea completa de electrodomésticos.
- Procedimientos de uso y mantenimiento.
- Accesorios y piezas para reparación.
- Recomendaciones de distribuidores locales, distribuidores de piezas para reparación y compañías que dan servicio. Los técnicos designados por XLS Products están capacitados para cumplir con la garantía del producto y ofrecer servicio después de la garantía en cualquier lugar de Canadá.

Para obtener más asistencia:

Si necesita asistencia adicional, puede escribir a XLS Products con sus preguntas o dudas a:

XLS Products, Inc.
Customer Service
P.O. Box 16262
Philadelphia, PA 19114-0262

Incluya en su correspondencia un número de teléfono en el que se le pueda localizar durante el día.

GARANTÍA DE XLS PRODUCTS PARA ACONDICIONADORES DE AIRE WHIRLPOOL®

GARANTÍA LIMITADA DE UN AÑO

Durante un año a partir de la fecha de compra, cuando este producto se opere y se mantenga de acuerdo con las instrucciones que se adjuntan o se suministran con el producto, XLS Products se hará cargo del costo de reemplazar el producto, a nuestro criterio, para corregir defectos en los materiales o mano de obra.

LO QUE XLS PRODUCTS NO PAGARÁ

1. Visitas de servicio técnico para corregir la instalación de su producto, enseñarle a usar su producto, cambiar fusibles de la casa o restablecer cortocircuitos, reemplazar o limpiar filtros, o corregir la instalación eléctrica.
2. Visitas de servicio técnico para reparar o reemplazar filtros de aire. Esos insumos están excluidos de la cobertura de la garantía.
3. Reparaciones cuando su producto se use para fines ajenos al uso doméstico normal de una sola familia.
4. Daños causados por accidente, alteración, uso indebido, abuso, incendio, inundación, actos fortuitos, instalación incorrecta, instalación que no esté de acuerdo con los códigos eléctricos o de plomería locales o el empleo de productos no aprobados por XLS Products.
5. Costos de piezas de repuesto o gastos de reparación para unidades que se empleen fuera de los Estados Unidos o Canadá.
6. Recogida y entrega. Este producto está diseñado para ser reparado en el hogar.
7. Reparaciones de piezas o sistemas como resultado de modificaciones no autorizadas que se hayan efectuado en el electrodoméstico.
8. Gastos de viaje y transporte para realizar el servicio del producto en lugares remotos.
9. La remoción y reinstalación de su electrodoméstico si estuviera instalado en un lugar inaccesible o si no estuviera instalado de conformidad con las instrucciones de instalación publicadas.

EXCLUSIÓN DE GARANTÍAS IMPLÍCITAS; LIMITACIÓN DE RECURSOS

EL ÚNICO Y EXCLUSIVO RECURSO DEL CLIENTE SEGÚN LOS TÉRMINOS DE ESTA GARANTÍA LIMITADA SERÁ EL DE REPARAR EL PRODUCTO SEGÚN SE ESTIPULA EN LA PRESENTE. LAS GARANTÍAS IMPLÍCITAS, INCLUSO LAS GARANTÍAS DE COMERCIABILIDAD O DE IDONEIDAD PARA UN PROPÓSITO PARTICULAR, SE LIMITARÁN A UN AÑO O AL PERÍODO MÁS CORTO PERMITIDO POR LEY. XLS PRODUCTS NO SE RESPONSABILIZARÁ POR DAÑOS INCIDENTALES O CONSECUENTES. ALGUNOS ESTADOS Y PROVINCIAS NO PERMITEN LA EXCLUSIÓN O LIMITACIÓN DE DAÑOS INCIDENTALES O CONSECUENTES, O LIMITACIONES DE LA DURACIÓN DE GARANTÍAS IMPLÍCITAS DE COMERCIABILIDAD O IDONEIDAD, DE MODO QUE ESTAS LIMITACIONES O EXCLUSIONES PUEDEN NO APLICARSE EN SU CASO. ESTA GARANTÍA LE OTORGA DERECHOS LEGALES ESPECÍFICOS Y ES POSIBLE QUE TENGA TAMBIÉN OTROS DERECHOS QUE PUEDEN VARIAR DE UN ESTADO A OTRO O DE UNA PROVINCIA A OTRA.

Esta garantía no tiene vigor fuera de los cincuenta estados de los Estados Unidos y Canadá. Contacte a su distribuidor autorizado de XLS Products para determinar si corresponde otra garantía.

Si necesita servicio técnico, consulte primero la sección "Solución de problemas" del Manual de uso y cuidado. Después de consultar "Solución de problemas", puede buscar ayuda adicional consultando la sección "Ayuda o servicio técnico" o llamando a XLS Products. En los EE. UU., llame al 1-800-207-1156. En Canadá, llame al 1-800-207-1156.

Guarde este libro y su comprobante de compra juntos para referencia futura. Deberá proporcionar el comprobante de la compra o la fecha de instalación para obtener servicio técnico bajo la garantía.

Anote la siguiente información siguiente sobre su acondicionador de aire para facilitar la obtención de asistencia o servicio si llegara a necesitarlo. Deberá tener a mano el número completo del modelo y la serie. Puede encontrar esta información en la etiqueta con el número de modelo y de serie ubicada en el producto.

Nombre del distribuidor _____

Dirección _____

Número de teléfono _____

Número de modelo _____

Número de serie _____

Fecha de compra _____

®/™ ©2024 Whirlpool. All rights reserved. Manufactured under license by XLS Products, Pennsylvania. Limited warranty provided by XLS Products.
Tous droits réservés. Fabriqué sous licence par XLS Products, Pennsylvanie. Garantie limitée fournie par XLS Products.
Todos los derechos reservados. Fabricado bajo licencia por XLS Products, Pennsylvania.