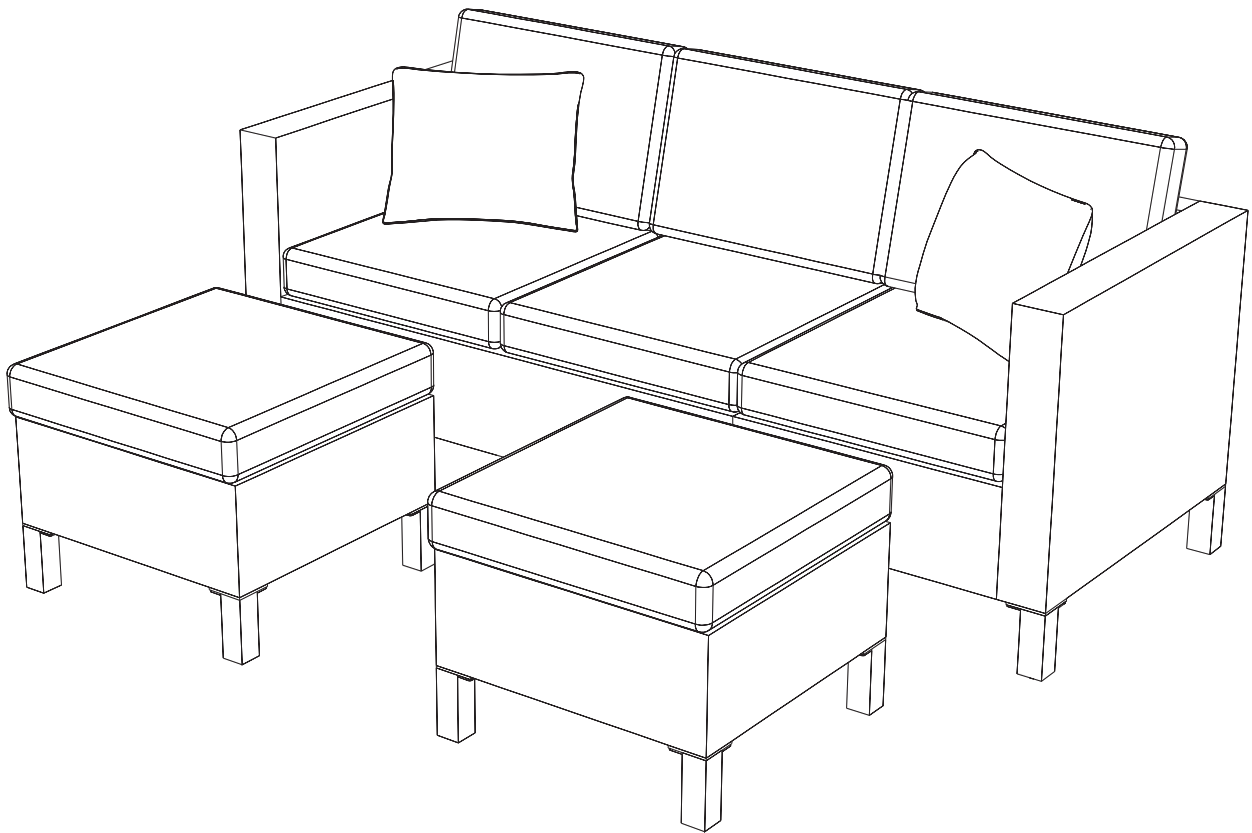


Assembly Instructions

3 Pieces Outdoor Wicker Three Seater Sofa & Ottomans



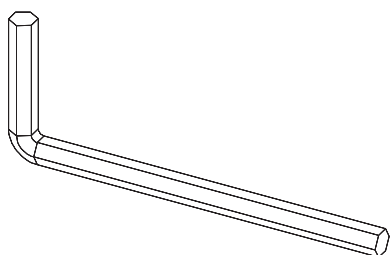
1	Three Seater Sofa
2	Ottoman

Questions, problems, missing parts? Before returning the product, call our customer service 9 a.m.-5 p.m., PST, Monday- Friday

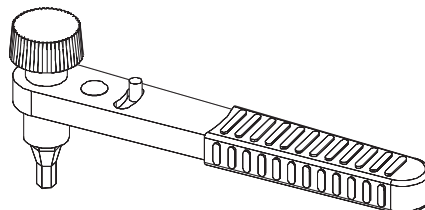
800-385-0608

or email us at aftersales@cye-way.com for assistance.

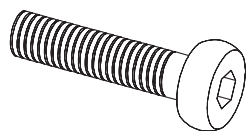
HARDWARE INCLUDED



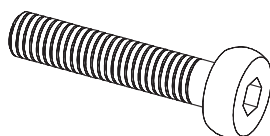
#1



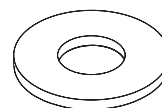
#2



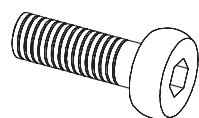
AA



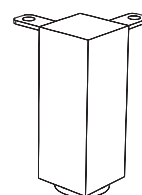
EE



BB



CC

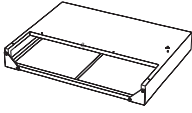
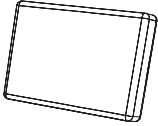
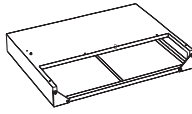
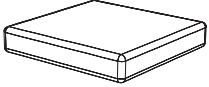
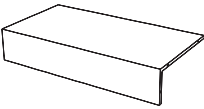
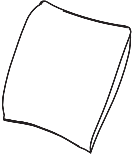
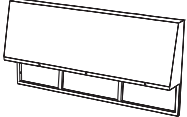
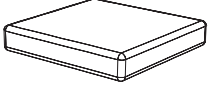
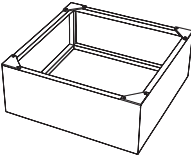
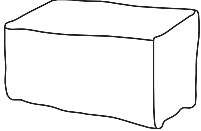


DD

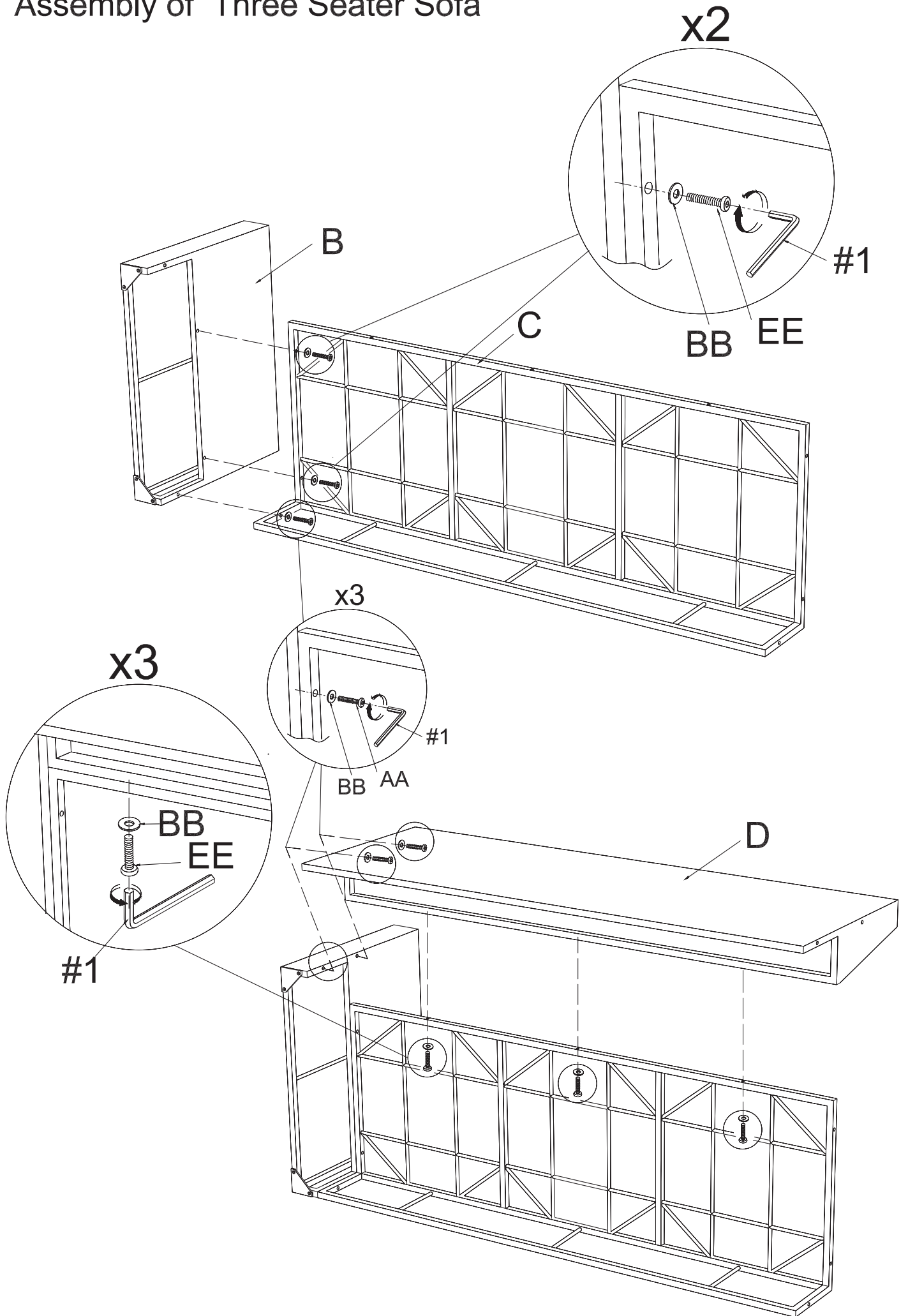
Part	Description	Quantity
#1	Allen Wrench	1
#2	Ratchet Wrench	1
EE	M6*40Bolt	7

Part	Description	Quantity
AA	M6*35Bolt	6
BB	Washer	37
CC	M6*15 Bolt	24
DD	Metal Leg	12

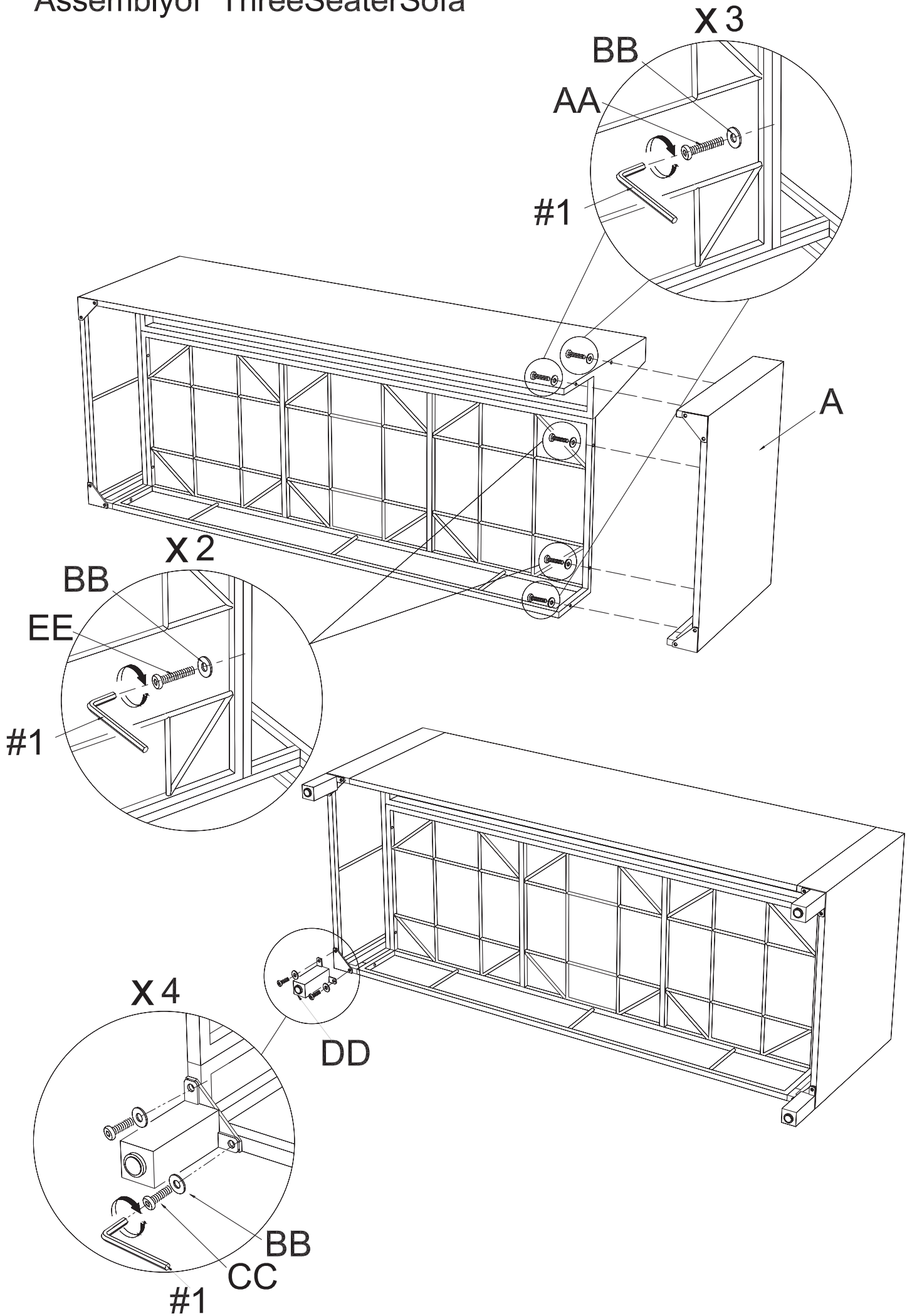
PACKAGE CONTENTS

Part	Description	Image	Quantity	Part	Description	Image	Quantity
A	Right Armrest		1	F	BackCushion		3
B	Left Armrest		1	G	SeatCushion		3
C	Three Seater SofaSeat		1	H	Pillows		2
D	Three Seater SofaBack		1	I	Ottoman SeatCushion		2
E	Ottoman		2	J	Cover		1

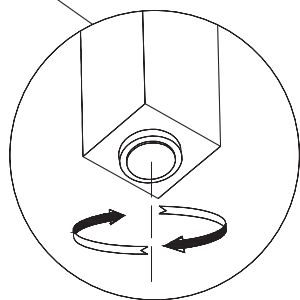
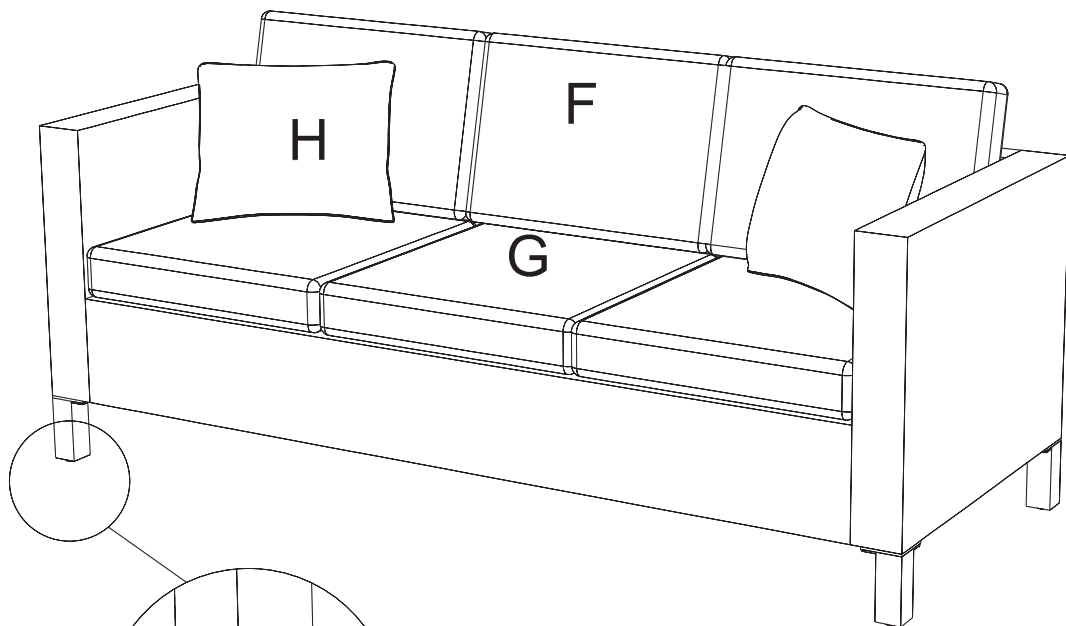
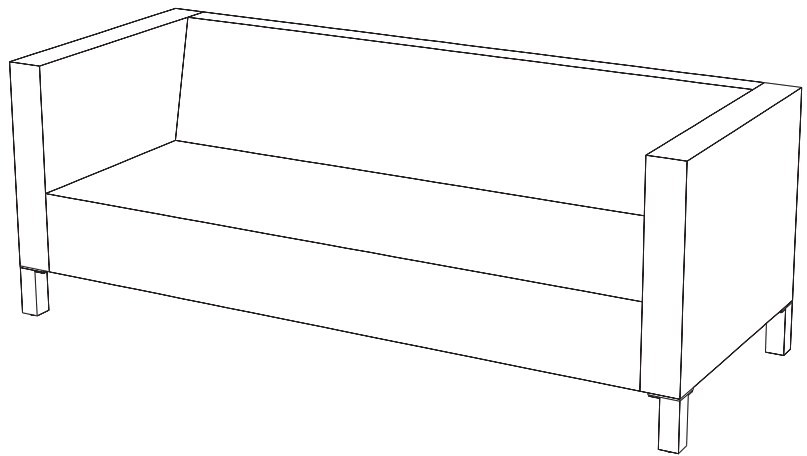
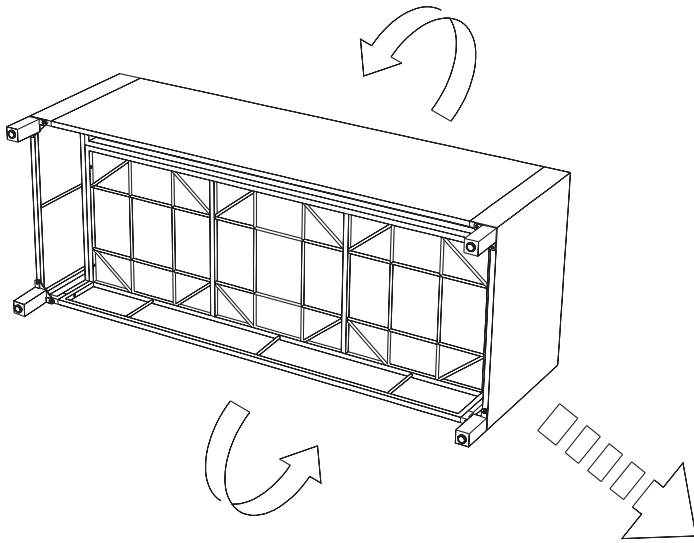
Assembly of Three Seater Sofa



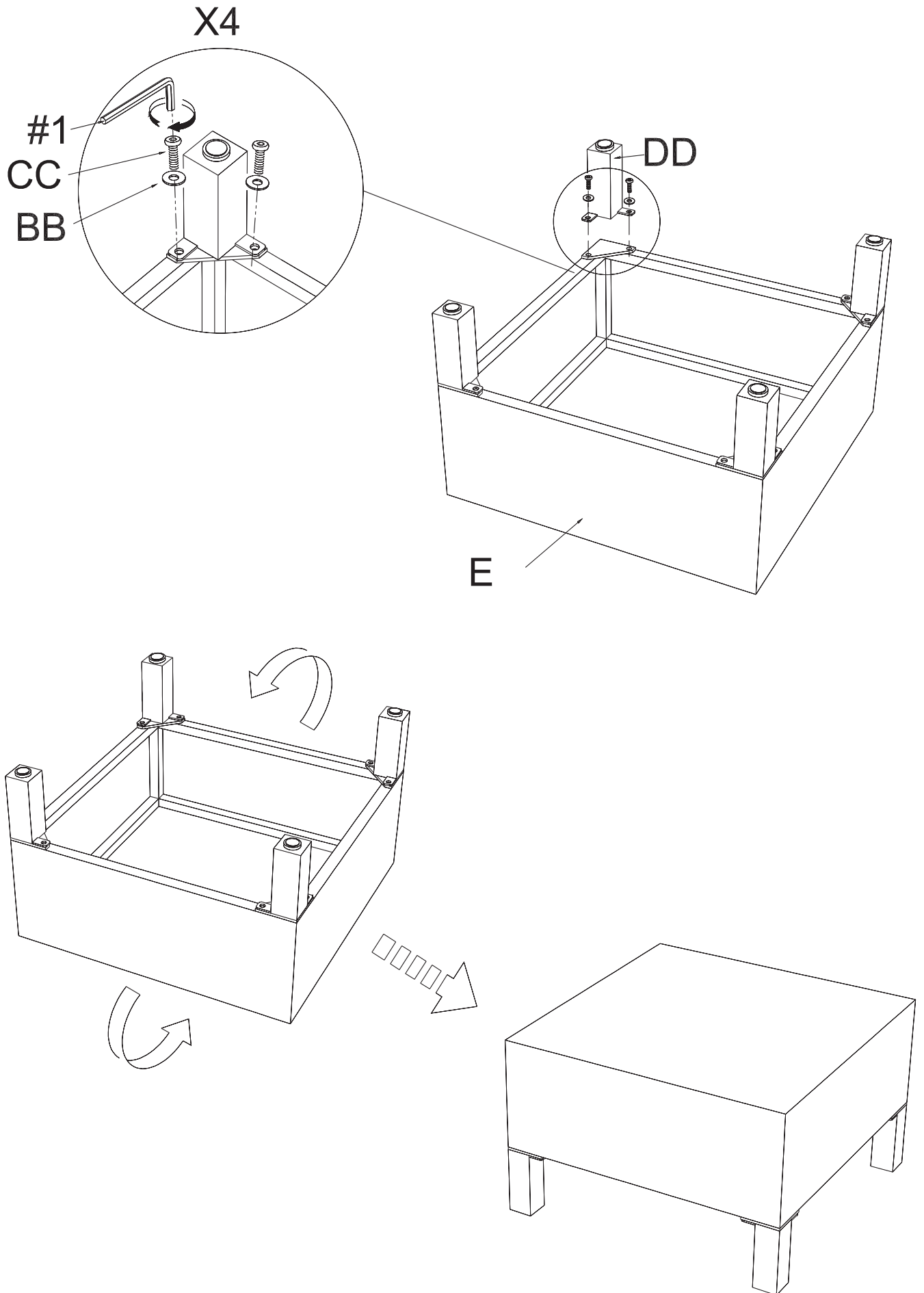
Assembly of Three Seater Sofa



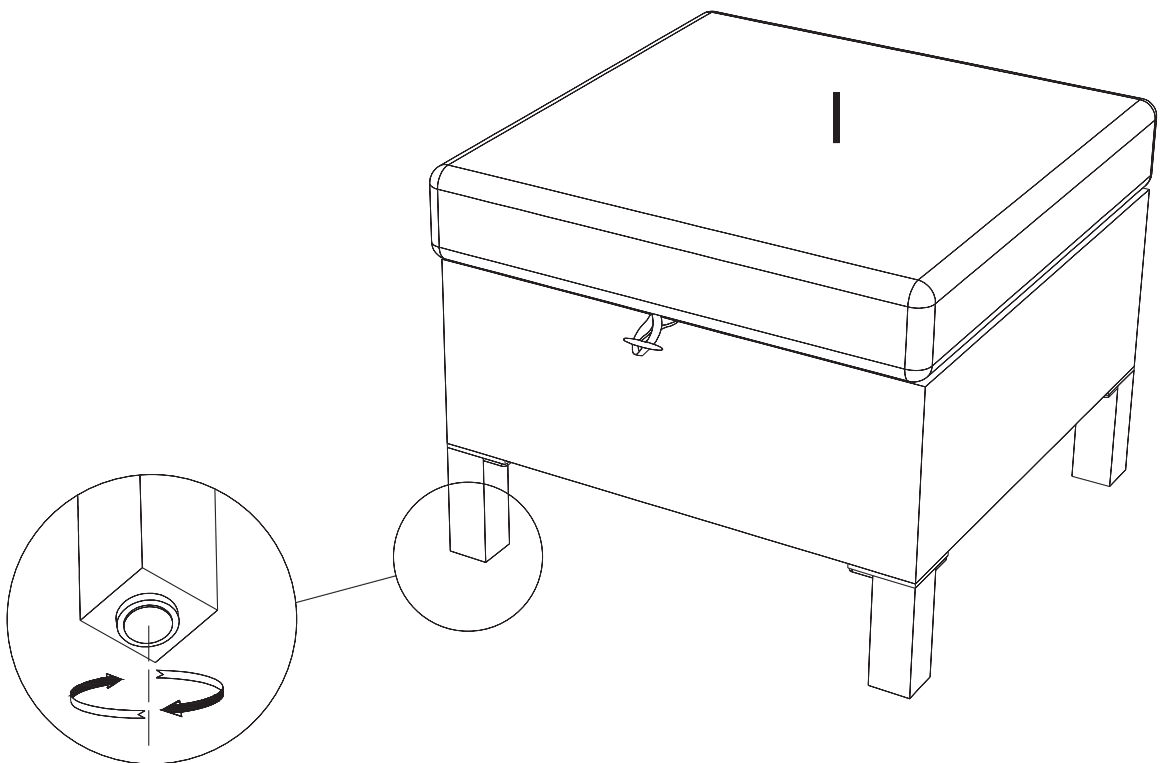
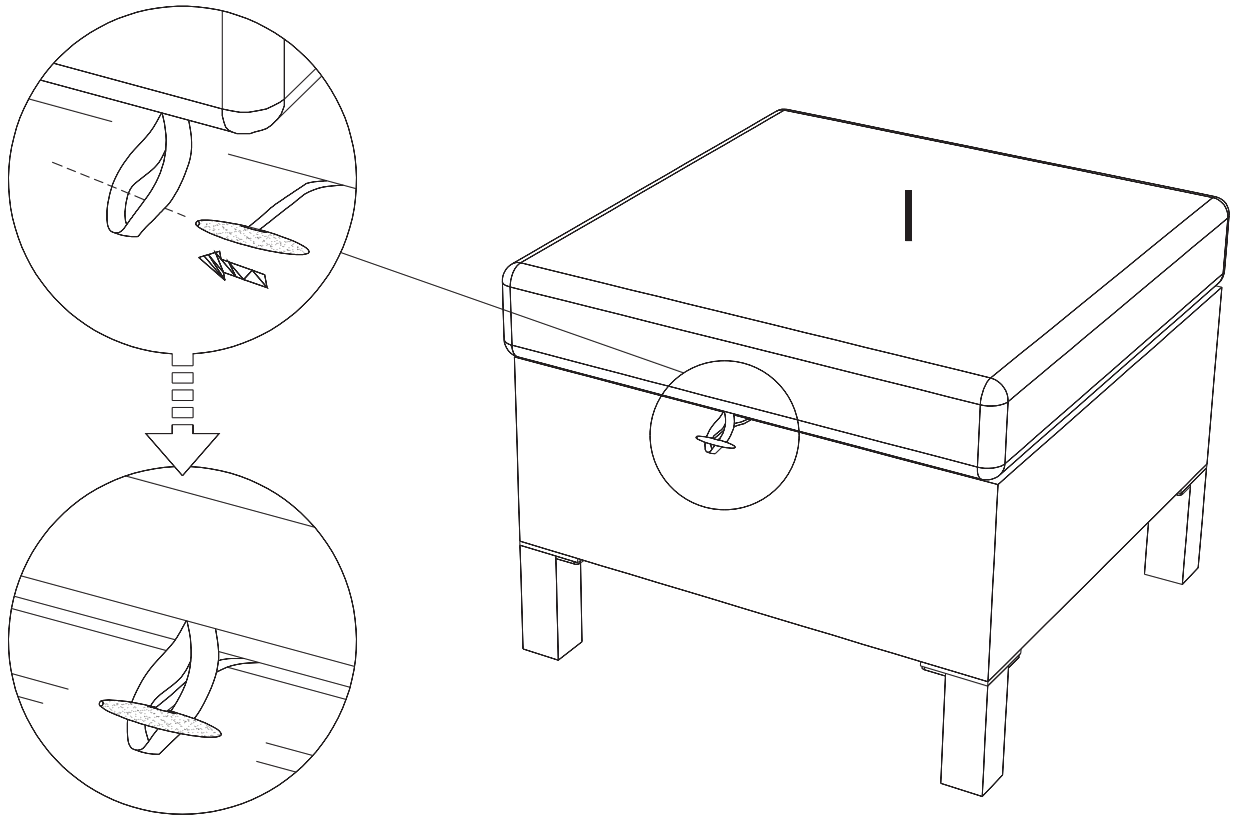
Assembly of Three Seater Sofa



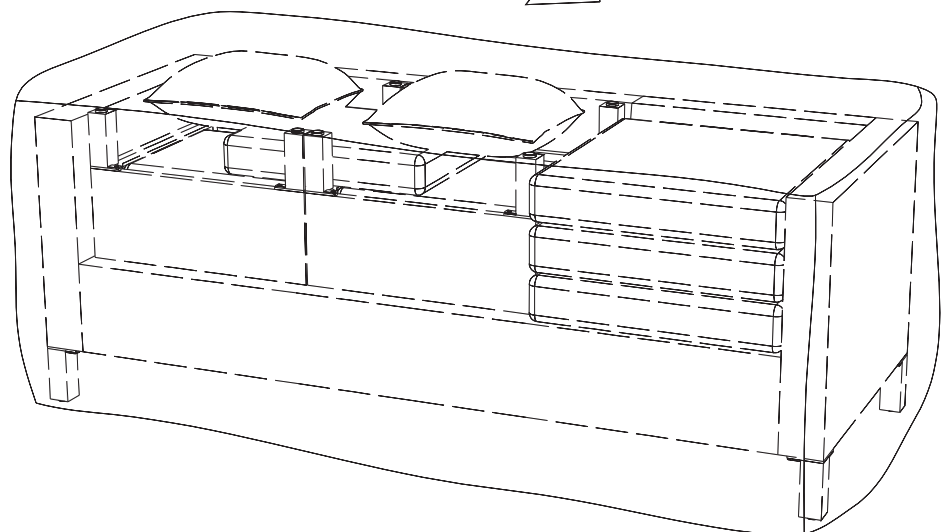
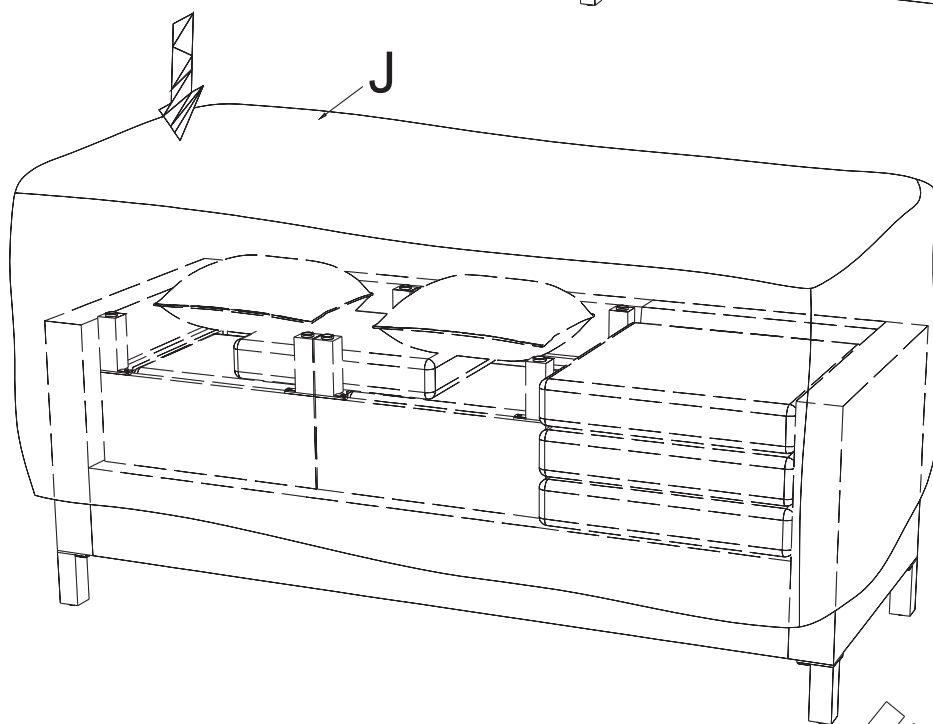
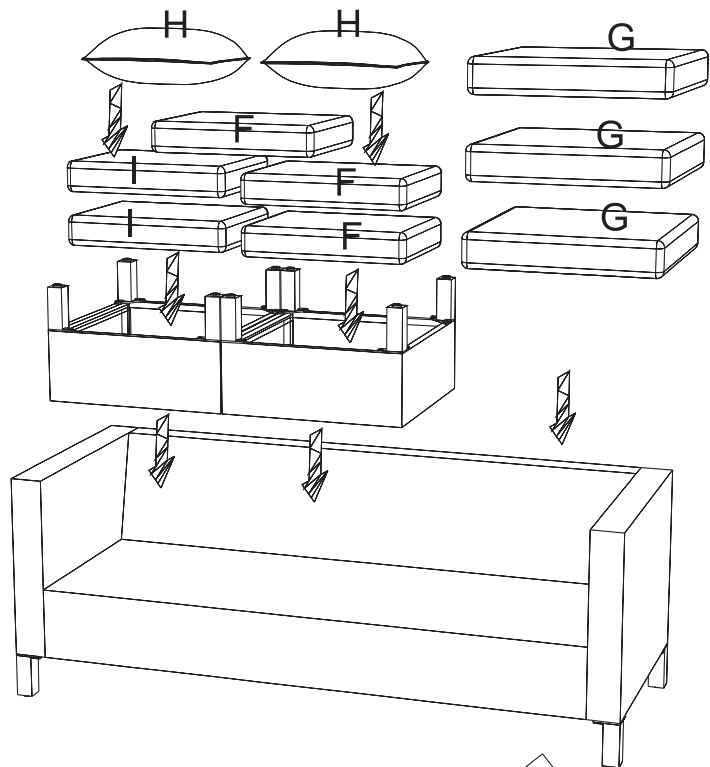
Assembly of Ottoman



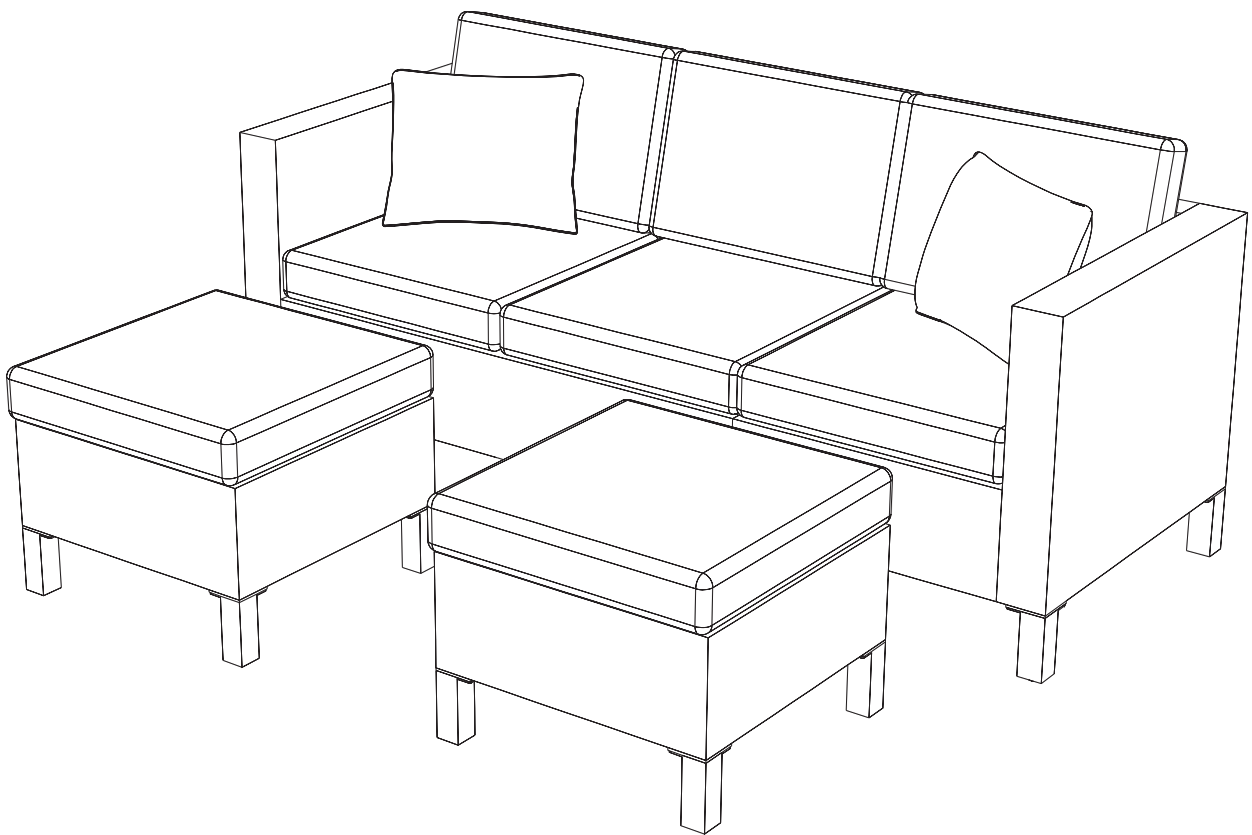
Assembly of Ottoman



How to Store Cushions and Cover the Frame?



If you find deep wrinkles due to the compression on the cushion cover , warm iron the fabric to remove the wrinkles



Questions,problems,missing parts? Before returning the product, call our customer service 9 a.m.-5 p.m., PST, Monday- Friday

800-385-0608

or email us at aftersales@cye-way.com for assistance.