

Office Chair



Missing parts, damages, and any problems in the installation process, please contact us by text or email. Please choose email as your first choice for communicating with us.

Warning

Please read the instructions carefully before installing the product, and do not use the product before the installation is complete. If the product is damaged or defective, please contact customer service in time.

* Indoor use only.

* Please keep the instructions in case of further use.

* To avoid personal injury, don't use the damaged product, and dispose it properly.

* To avoid personal injury, do not stand on the product.

* To avoid personal injury, place the product on the flat ground.

* To avoid product damage and personal injury, please check the product's load capacity and do not support user's whole body on the chair arms.

* To avoid product damage and personal injury, assemble the product properly.

* The features and specifications of the product are subjects to changes without prior notice.

* Please move the product gently to avoid collision.

* Please ensure the centre of gravity is on the hydraulic during sitting.

* Please watch your fingers when you adjusting the backrest angle.

* Please toggle the handle gently which under your seat when adjusting the chair height.

* Please do not use strong acid or strong alkaline cleaners to clean the chair.

* Considering the parts losing during use, please tighten the screws **every three months**.

Parts list

PARTS

① x5



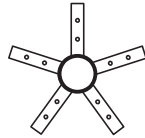
wheels

② x5



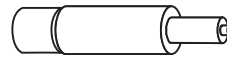
5-Star Base

③ x1



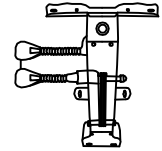
5-Star Base

④ x1



Gas Lift

⑤ x1



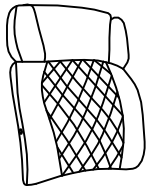
Mechanism

⑥ x1



Seat Cushion

⑦ x1



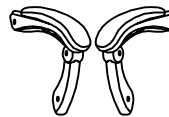
Backrest

⑧ x1



Backrest
support iron plate

⑨ x2



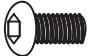
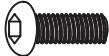
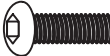
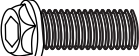
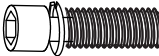



Armrests

⑩ x1



Footrest Cushion

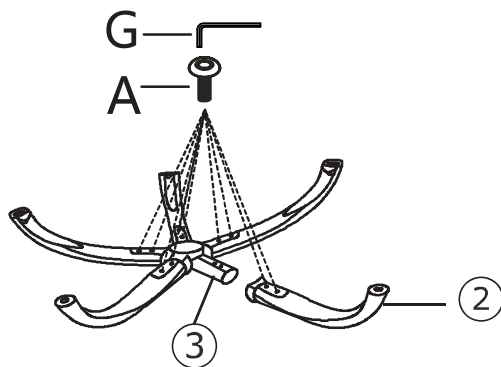
Hardware

A	B	C	D	E
 Screw: x10 M6*10MM	 Screw: x4 M6*20MM	 Screw: x6 M6*25MM	 Screw: x3 M8*20MM	 Screw: x4 M8*40MM
F	G	H		
 Caps: x4	 Allen key : x1	 Gasket: x4 M6		

NOT:When assembling the chair, keep the bolts loose before adding the next one. Once all the bolts are in, then tighten each one fully. This allows the movement of the parts you are fitting so the bolts can align correctly.

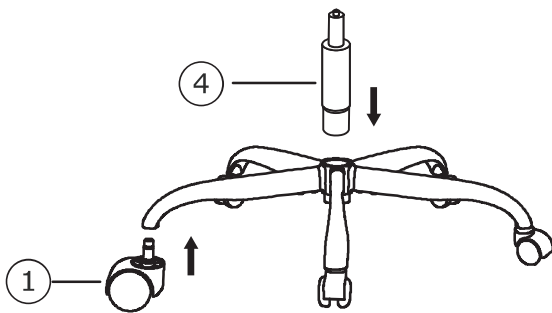
Installation steps

1



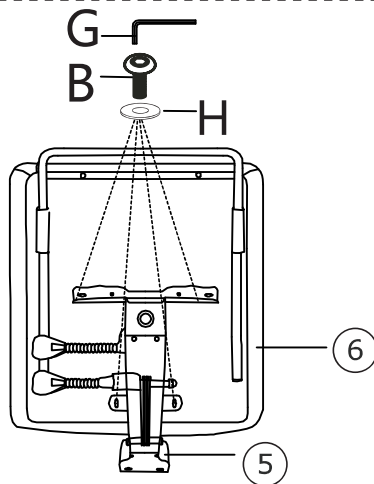
Use screws A (M6*10MM) to install part ② and part ③.

2



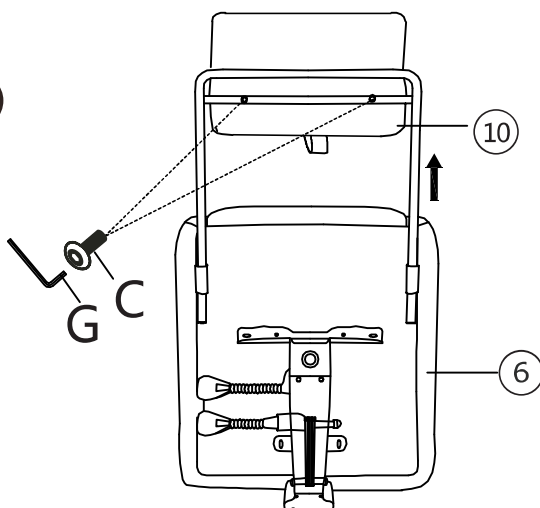
Insert the gas lift ④ and wheels ① into the installed base.

3



Use screws B (M6*20MM) and gasket H to secure the mechanism ⑤ to the seat cushion ⑥.

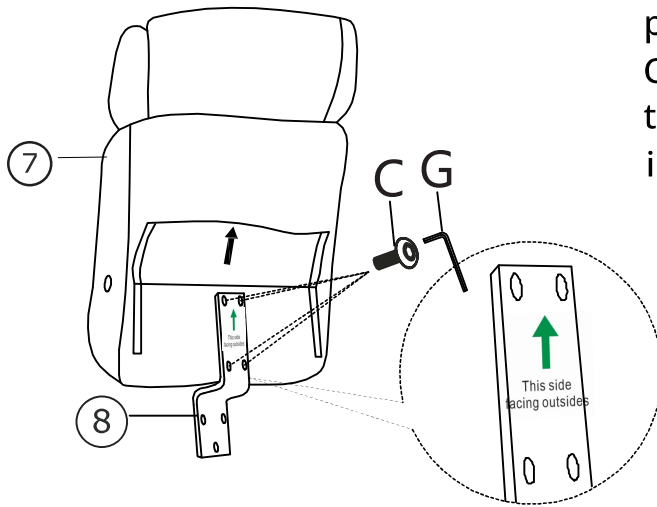
4



Install the footrest cushion ⑩ on the footrest sliding block with screws C (M6*25MM) as shown in the picture.

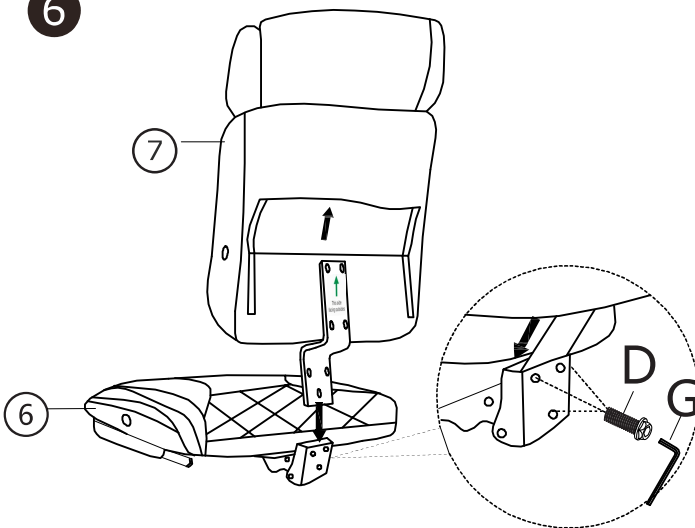
Installation steps

5



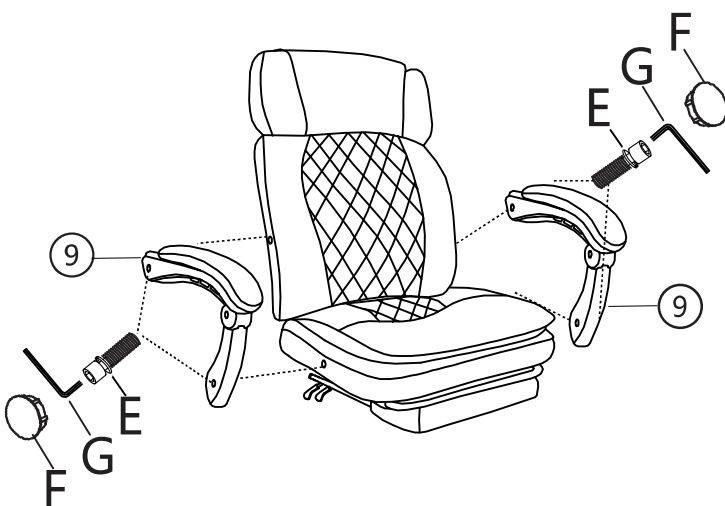
Fasten the backrest support iron plate ⑧ on the backrest ⑦ with screws C(M6*25MM). But please not 100% tighten the screws, please refer to installation for specific reasons .

6



Insert the backrest support iron plate ⑧ into the hole in the mechanism ⑤. then install the screws D(M8*20mm) fix it. 100% tighten the screws C(M6*25mm) and screws D(M8*20mm) while ensuring Finally that the backrest ⑦ is not titled .

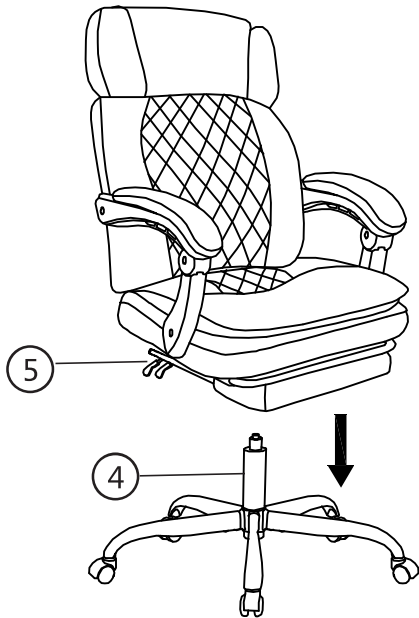
7



Align the armrests ⑨ to the holes in the backrest ⑦ and seat cushion ⑥ respectively and then secure them with Screws E(M8*40 MM), Finally, press the caps F into the holes of armrests ⑨ and complete the installation.

Installation steps

8



Align the gas lift ④ to the hole of the mechanism ⑤, then press down firmly to make the more stable.

9



Installation is complete.

Function



Lifting function

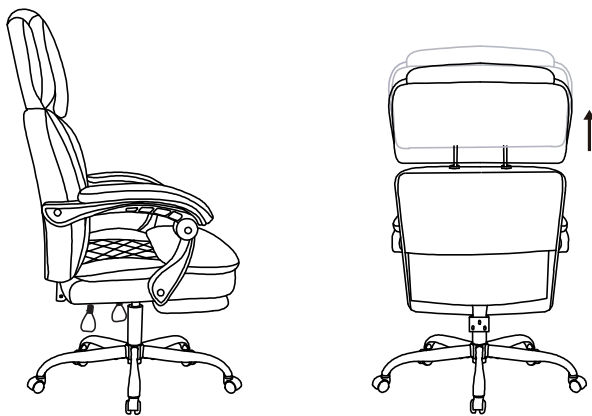
Lift up: move your body from the chair and then lift the height control handle.

Lift down: Seat down on the chair and push the height control handle.



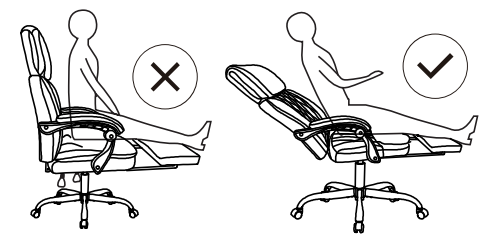
Tilt function

Use the other control handle, you can lock the angle or adjust it to what angle you want on 90-155 degree.



Adjustable headrest

WARNING!



Do not unfold footrest and make chair back vertical simultaneously, the chair will tilt due to the shift in center of gravity. Please lie down the back when using the footrest.