







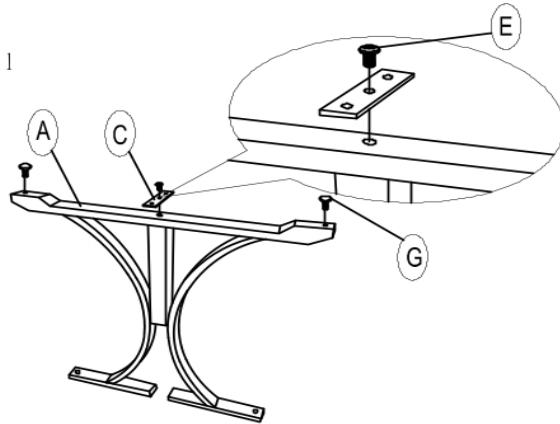


ROUND TABLES

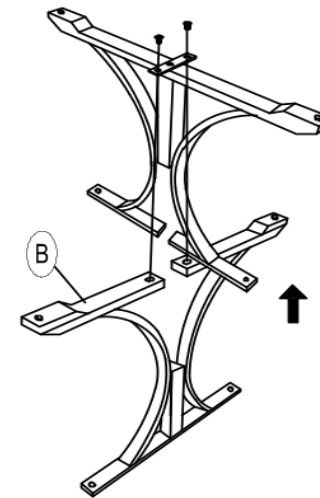
Assembly instructions

Ref	Description	Picture	Qty	Ref	Description	Picture	Qty	Ref	Description	Picture	Qty	Ref	Description	Picture	Qty
A	Table leg 01		1	C	Connection piece		1	E	Head Bolt (M6X18)		3	G	Regulation Pad(M6)		1
B	Table leg 02		1	D	Marble Top		1	F	Head Bolt (M6X35)		4	H	Hex Wrench (M6)		1

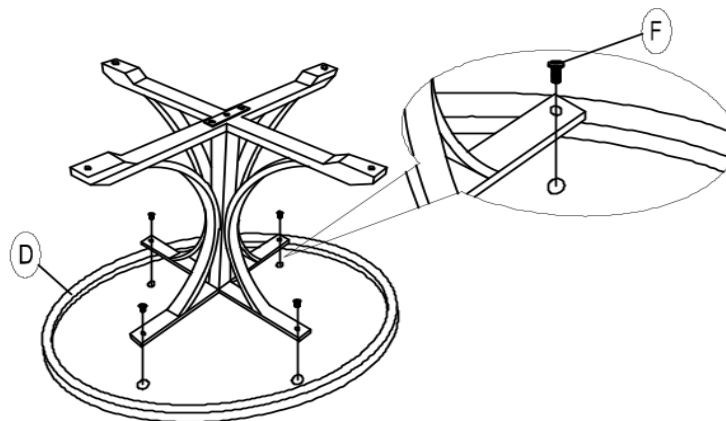
STEP : 1



STEP : 2



STEP : 3



STEP : 4



Tightened All the bolt before use