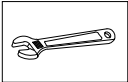
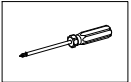


Bathroom Faucet Installation

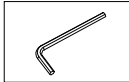
Tools You Will Need :



Adjustable wrench



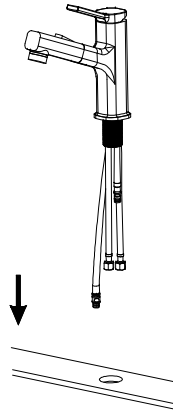
Phillips Screwdriver



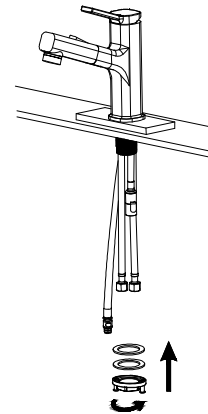
Hexagon Wrench



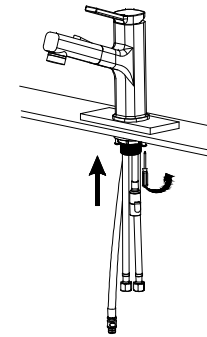
Pipe Tape



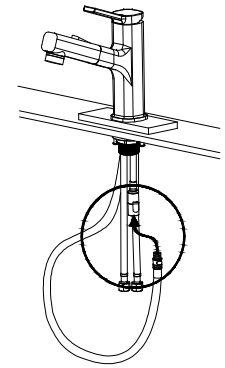
Step1:
Plug the gooseneck assembly into the faucet body. And then get all hoses through the deck plate and the sink hole.



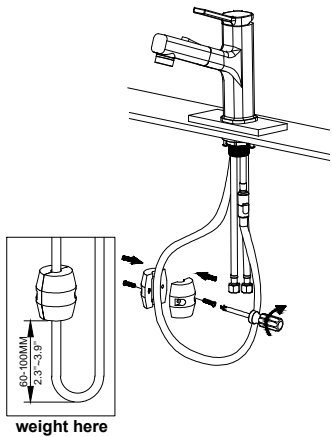
Step2:
Put the gaskets and steel washer and nut in sequence through the hose.



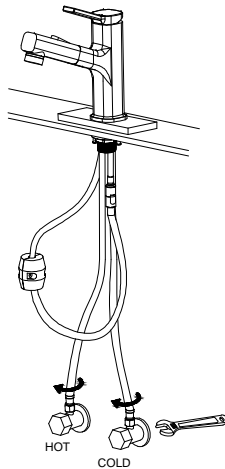
Step3:
Then tighten the screws.



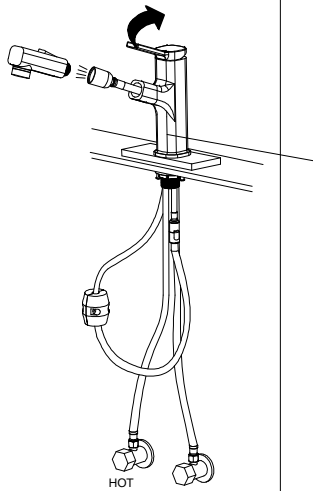
Step4:
Connect spray hose to quick connector attached to supply line. CAUTION:MAKE SURE THE HOSE IS PROPERLY ENGAGED AND SECURED IN THE QUICK CONNECT.



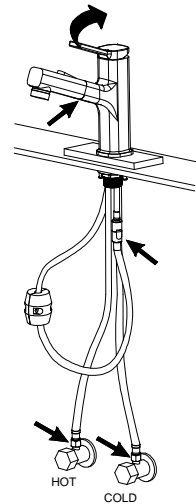
Step5:
Install the weight near the end of the pull-down hose (The optimal place is about 2.3-3.9 inches from the lowest of the pull-down hose).



Step6:
Attach hot and cold water hose to angle valves. Tighten with wrench until secure.



Step7:
Remove spray head from spray hose. Hold tip of spray hose. Turn faucet on and let the water run for 60 seconds to flush any debris.



Step8:
Open the angle valve and the handle to make the water flow. Check for the connections whether leak. If leaking, please re-tighten.

Notes before installation

- 1.Please check that all components are present
- 2.Before installation ensure that all feed lines are clear of debris and on/off valve is present
- 3.Ensure water pressure is between 20-125 PSI (includes combination of hot and cold feed lines)
- 4.Pictures in the manual are general incontent and may not represent exactly your purchased faucet .if you are having difficulties please contact a professional plumber
- 5.If you will be away from home for an extended period you should shut off the main water supply.

Daily maintenance

- 1.Use a soft cloth and vinegar to remove hard-water spots.
- 2.Check aerator (if present) regularly for calciumbuild up are when water stream is not optimum
- 3.DO NOT use caustic cleaning products as the use will break down finish and will void the product warranty.
- 4.Acceptable cleaners include vinegar or mild non-abrasive liquid detergents.
- 5.If the water pressure appears to be less than optimum, remove,inspect,clean or replace aerator.