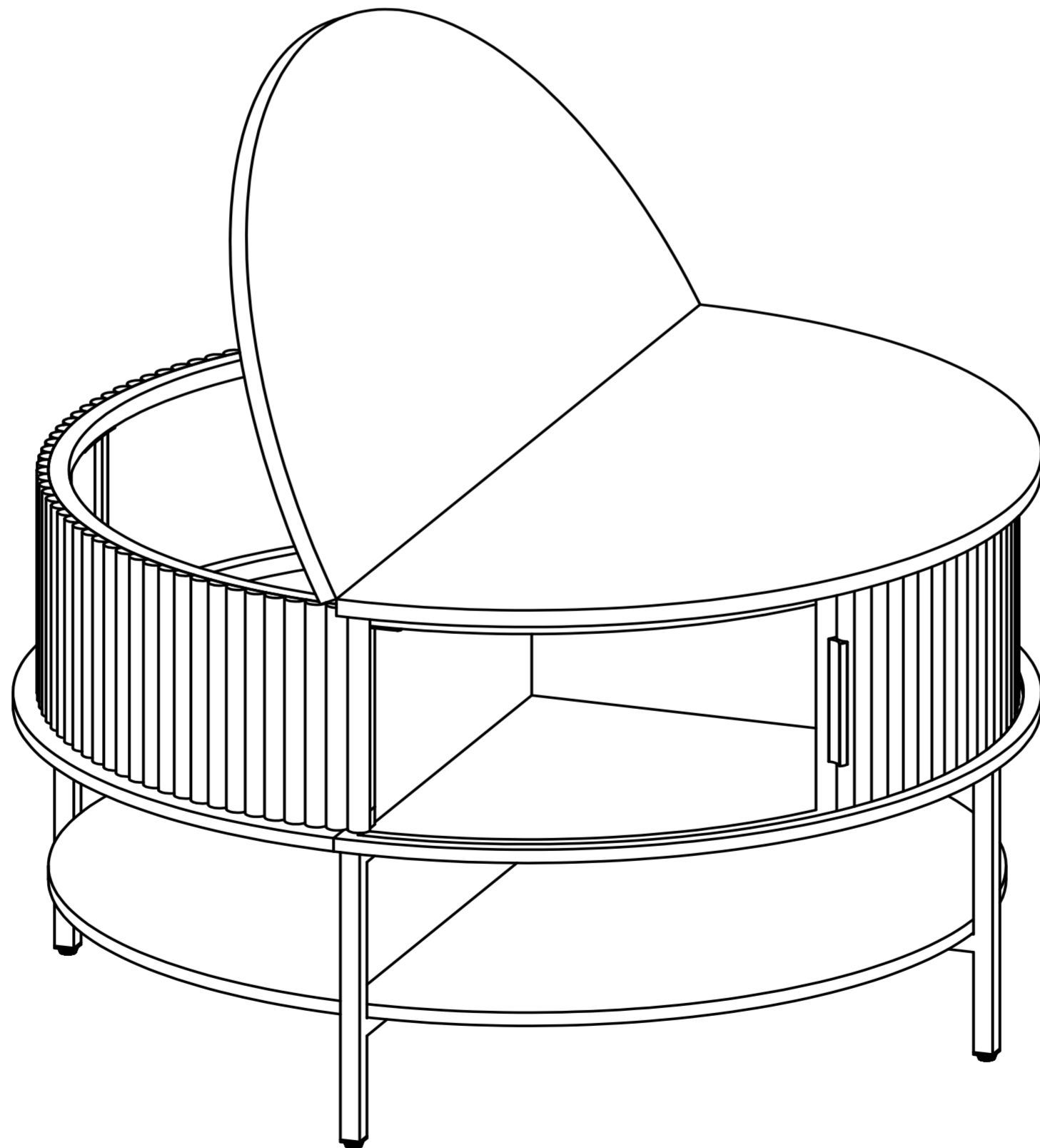
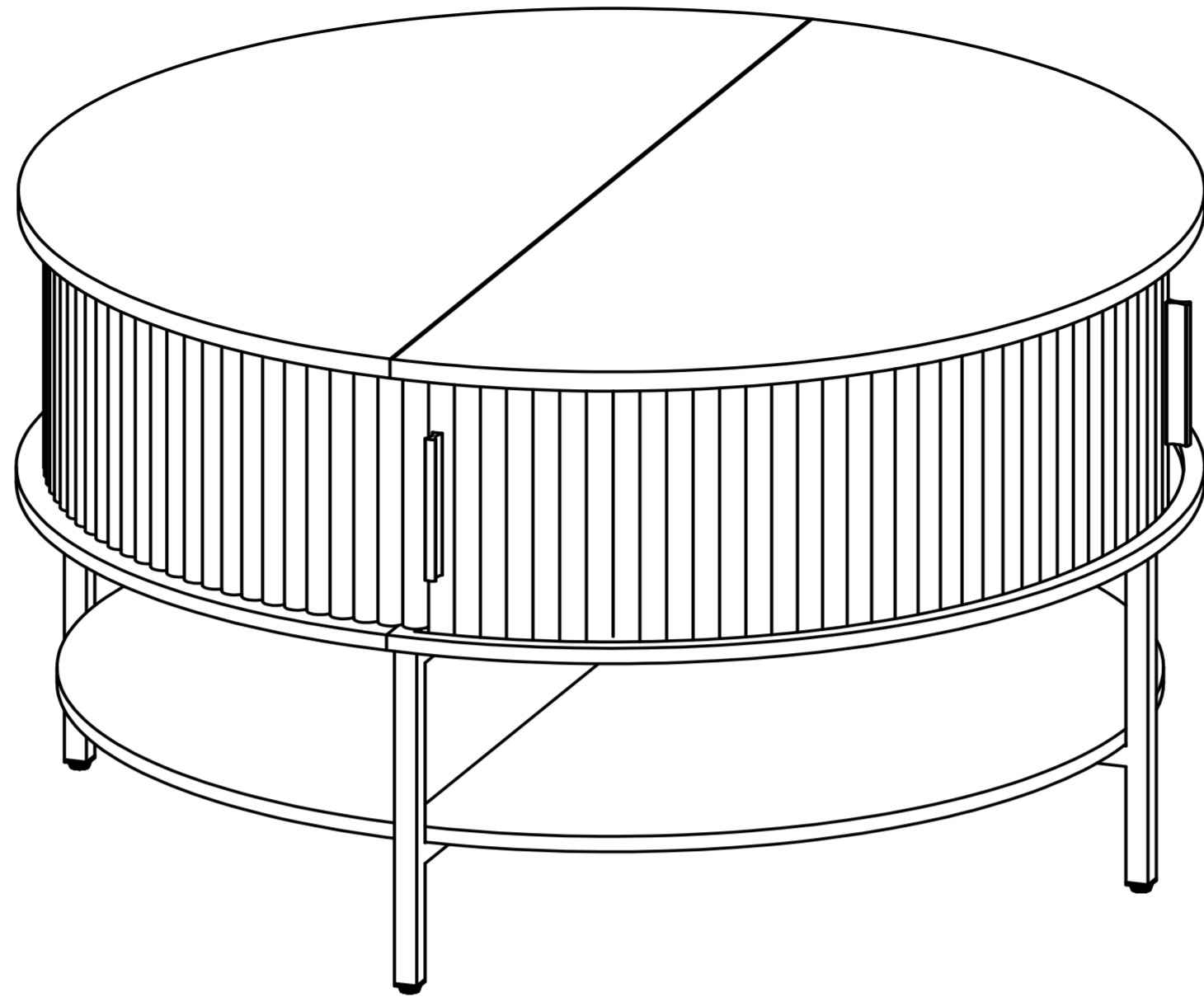
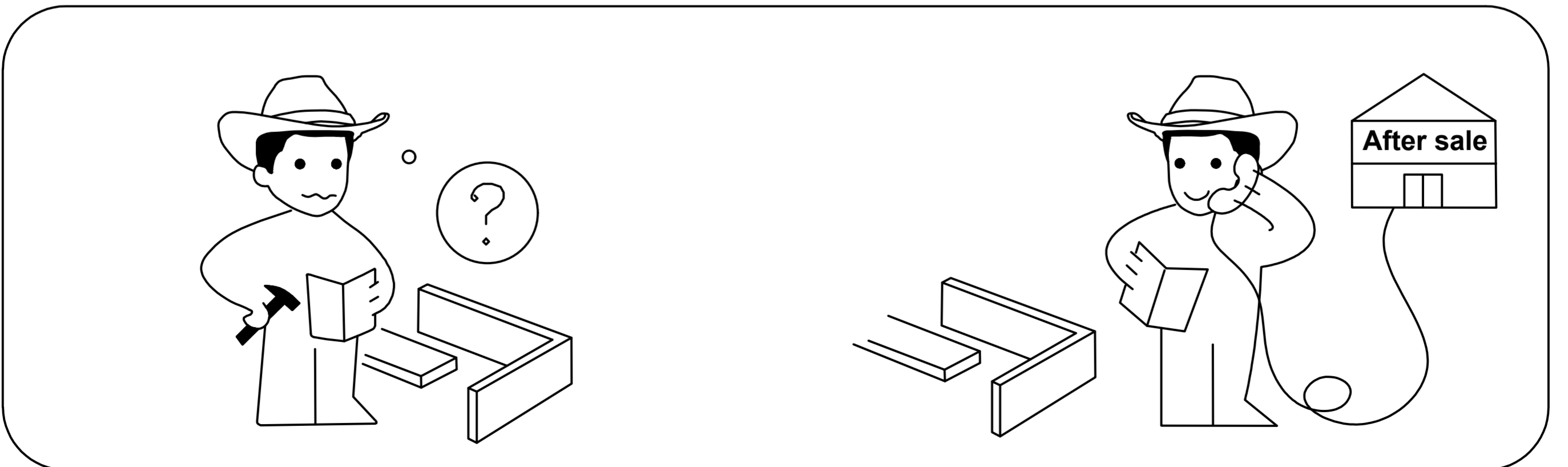
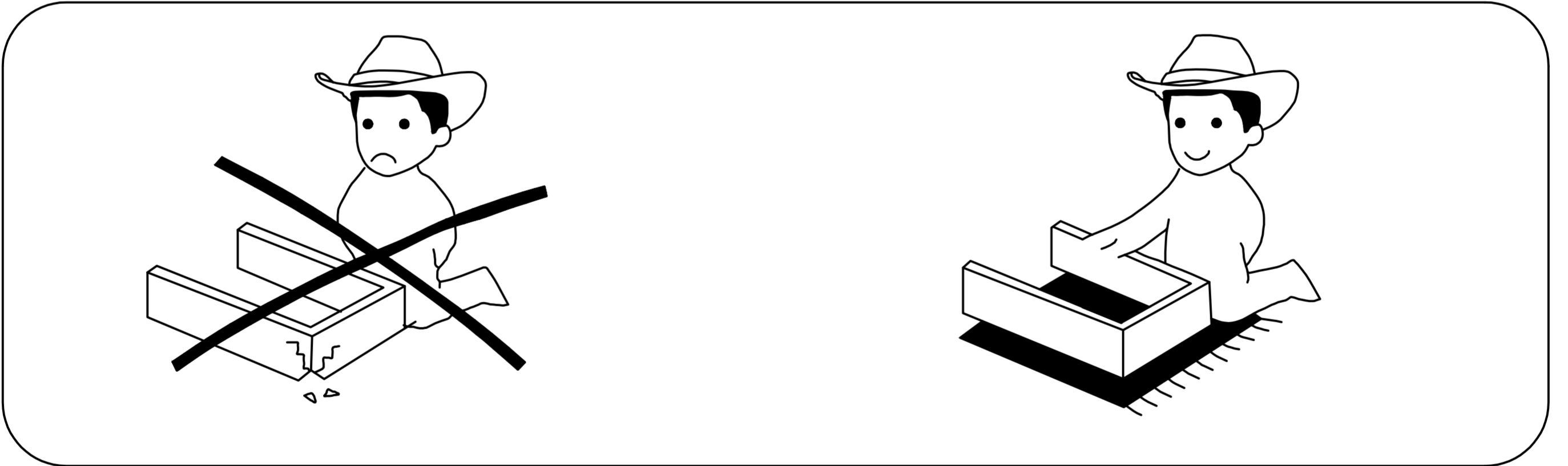
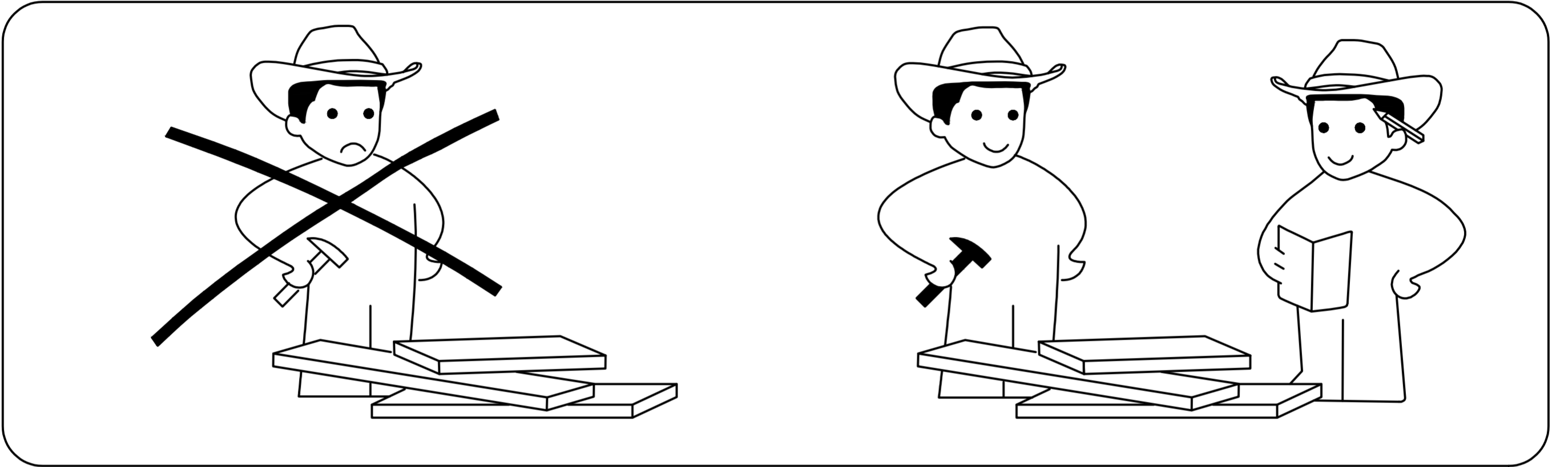
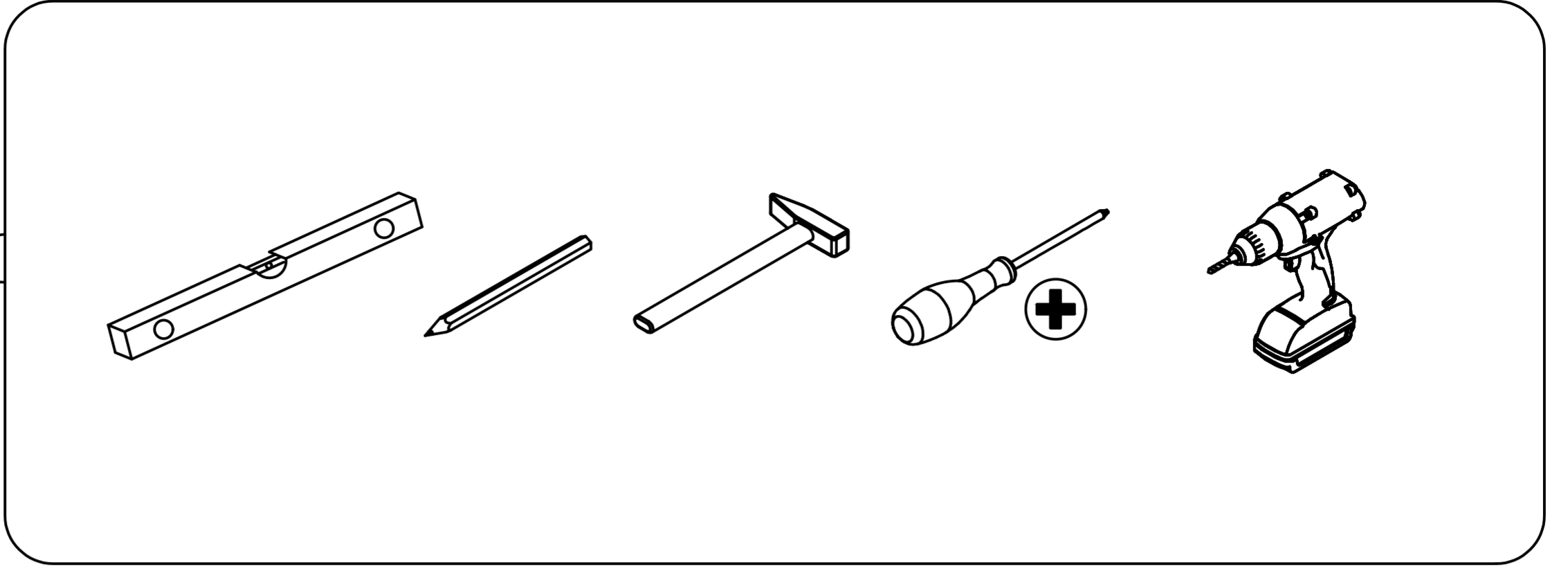
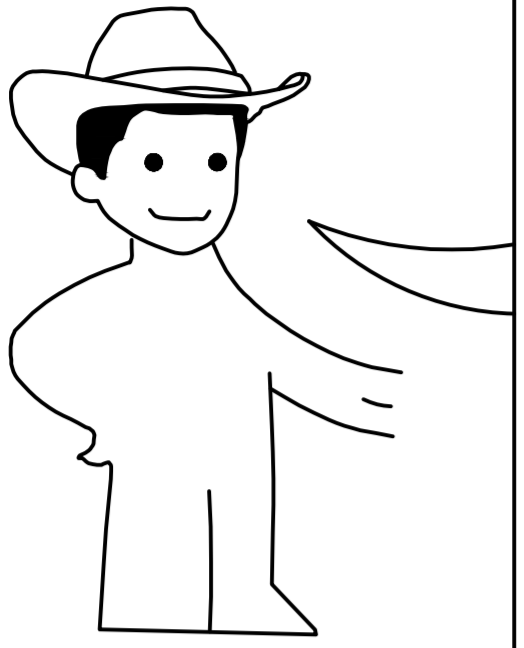
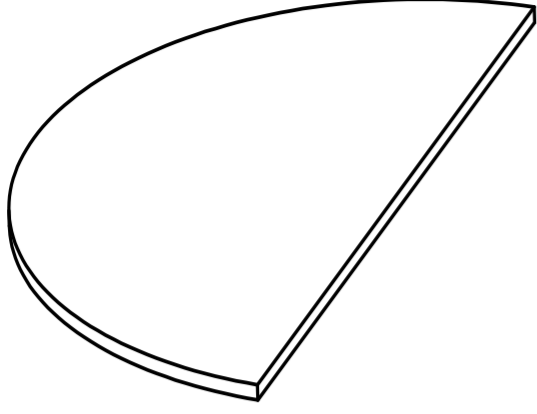
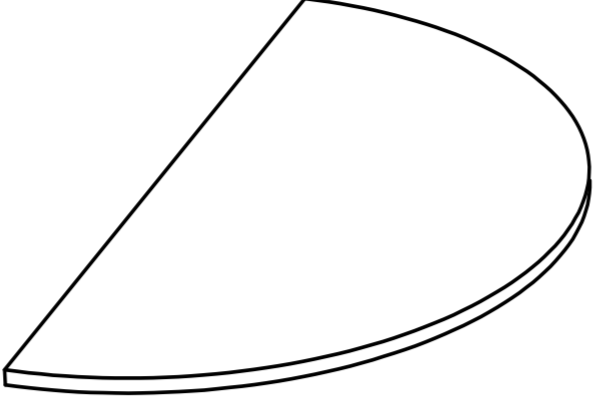
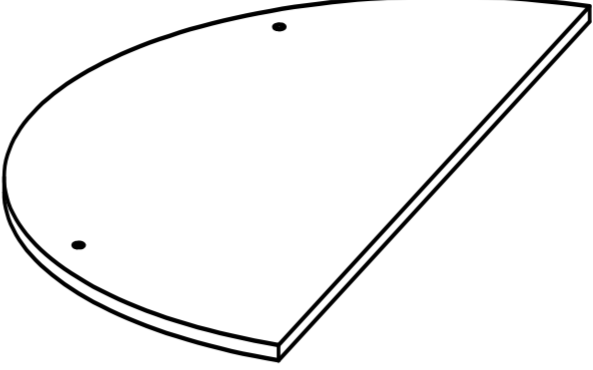
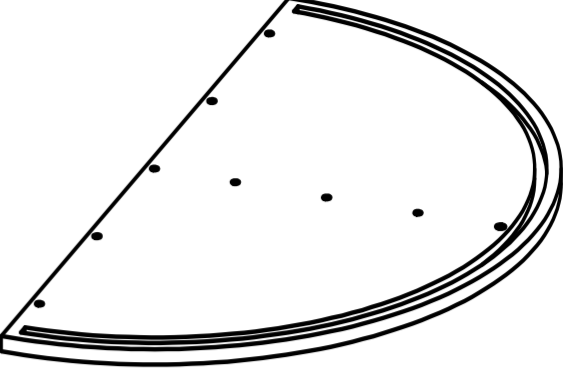
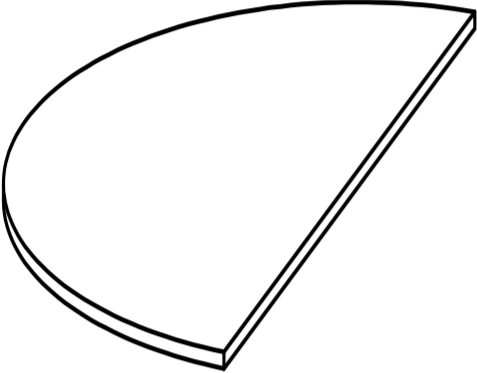
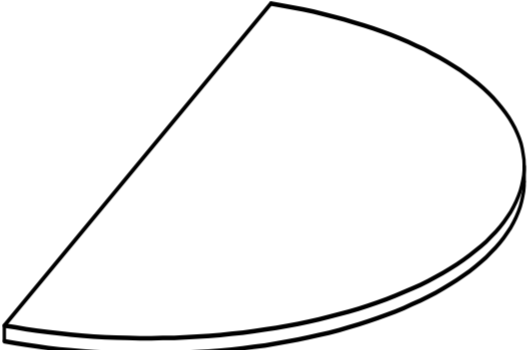
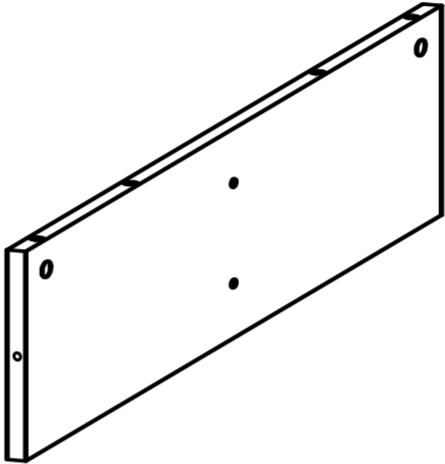
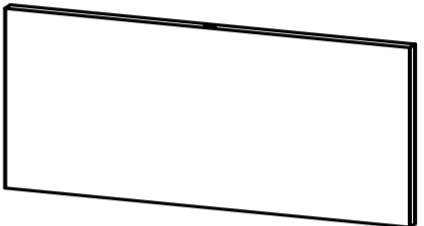
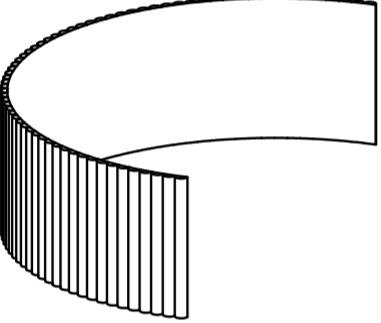
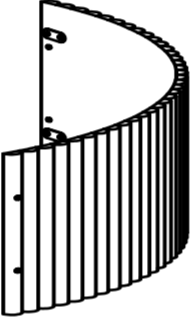
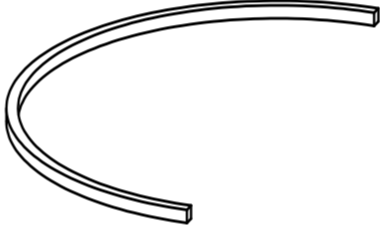
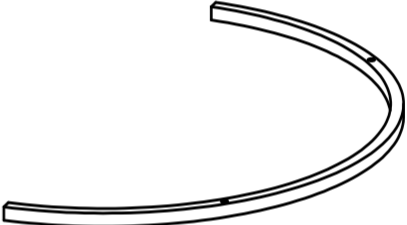
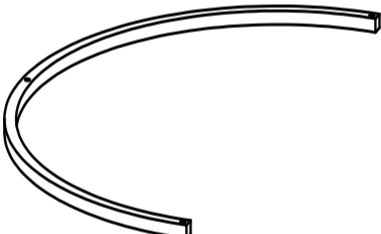
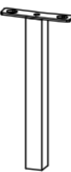
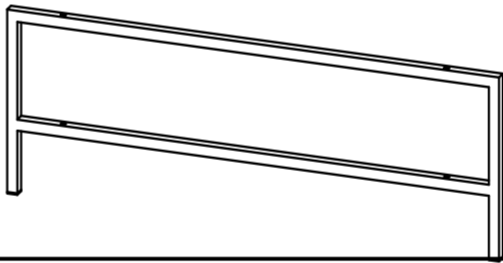
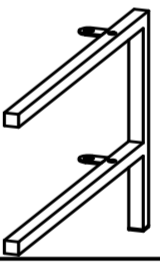
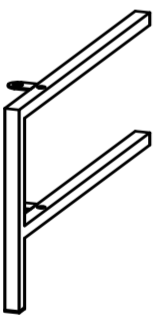

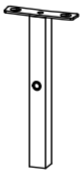
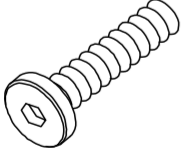
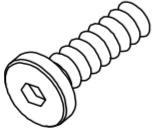

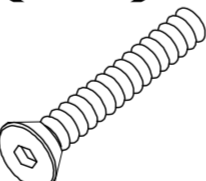

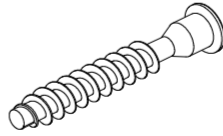
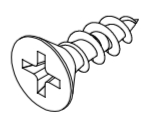


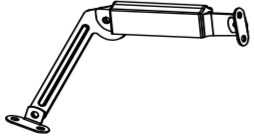
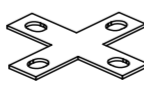

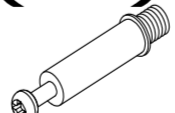

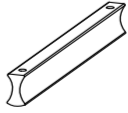





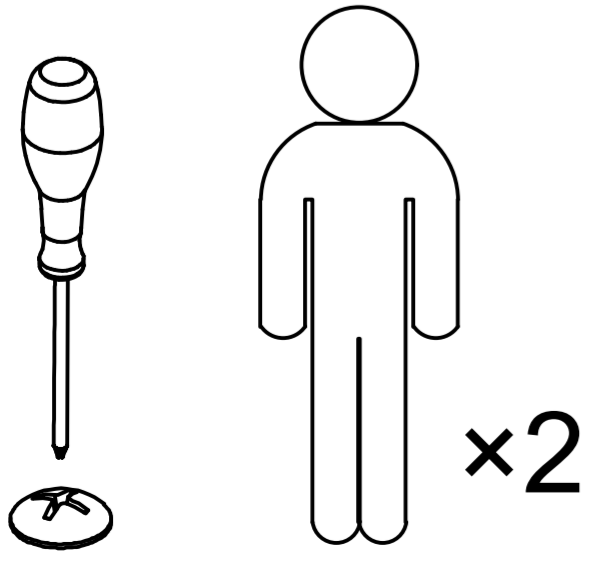
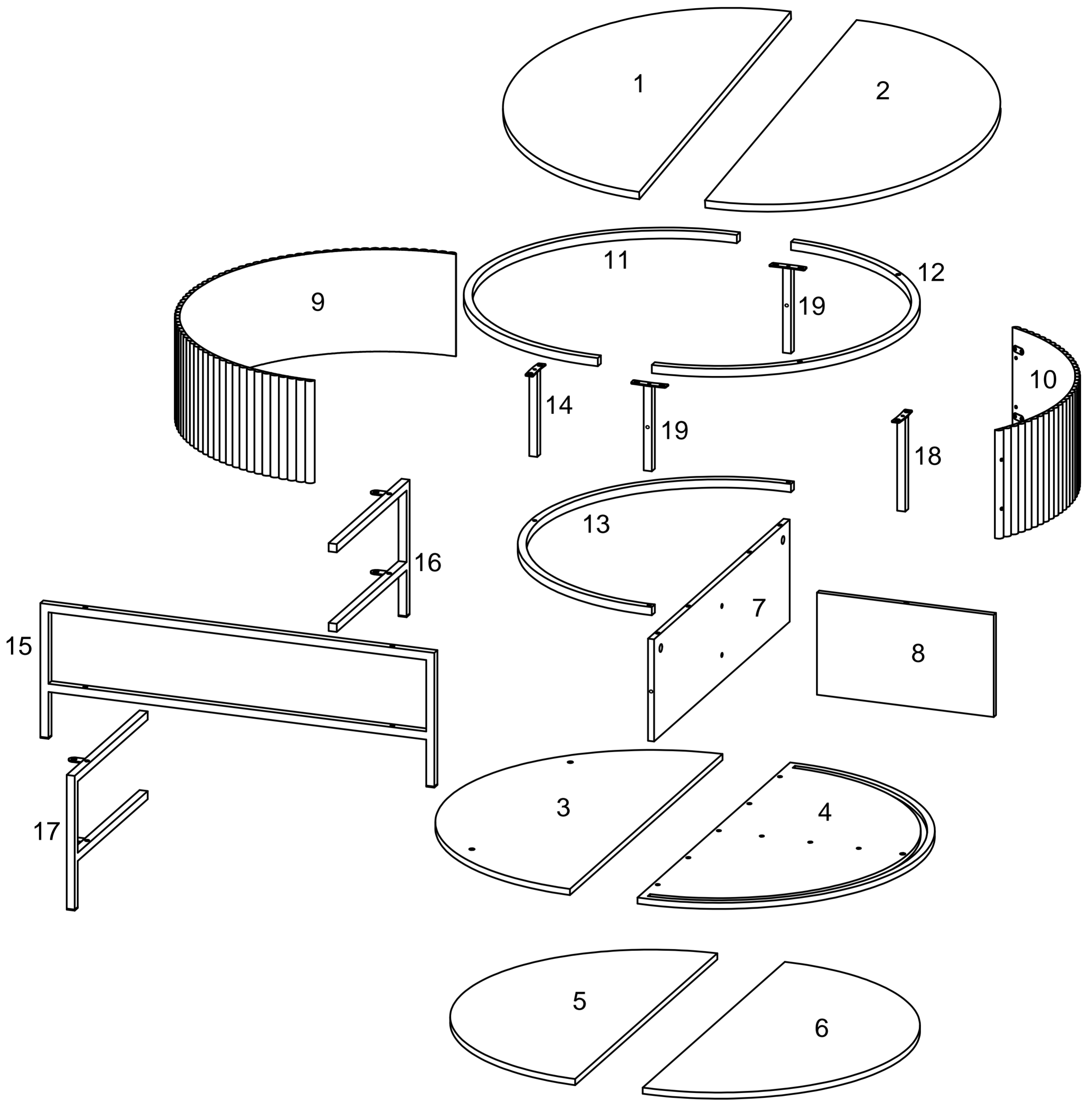
Installation & Assembly



Version 1.0



1×1*pc 		2×1*pc 		3×1*pc 		4×1*pc 	
5×1*pc 		6×1*pc 		7×1*pc 		8×1*pc 	
9×1*pc 		10×1*pc 		11×1*pc 		12×1*pc 	
13×1*pc 		14×1*pc 		15×1*pc 		16×1*pc 	
17×1*pc 		18×1*pc 		19×2*pc 			
A×10*pcs (+2)  M6×25mm	B×2*pcs (+2)  M6×20mm	C×20*pcs (+2)  M6×10mm	D×4*pcs (+2)  M6×35mm	E×6*pcs (+2)  Ø8×30mm	F×7*pcs (+2)  6×48mm	G×16*pcs (+2)  3.5×12mm	H×4*pcs 
I×2*pcs 	J×1*pc 	k×2*pcs 	L×1*pc  4mm	M×2*pcs (+2)  Ø6.3×35mm	N×2*pcs (+2)  Ø15×10mm	O×2*pcs 	P×4*pcs (+2)  M4×12mm
Q×4*pcs 	R×2*pcs (+2)  4×35mm						

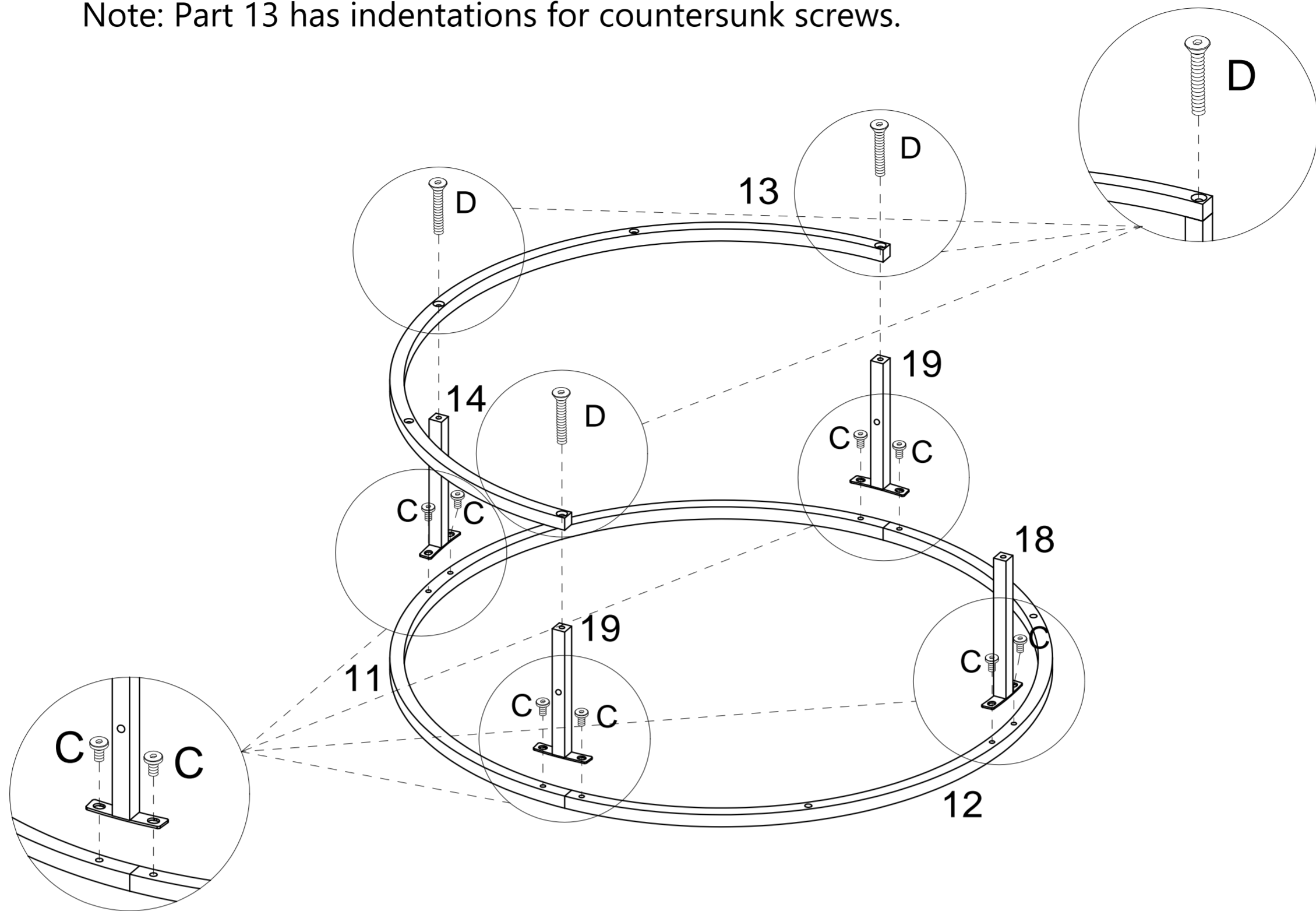


1

Attach curved tubes (Parts 11, 12) to curved tube (Part 13) using connecting tubes (Parts 14, 18, 19).

Secure with screws C and D.

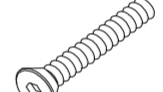
Note: Part 13 has indentations for countersunk screws.



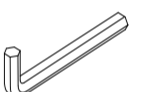
Cx8



Dx3



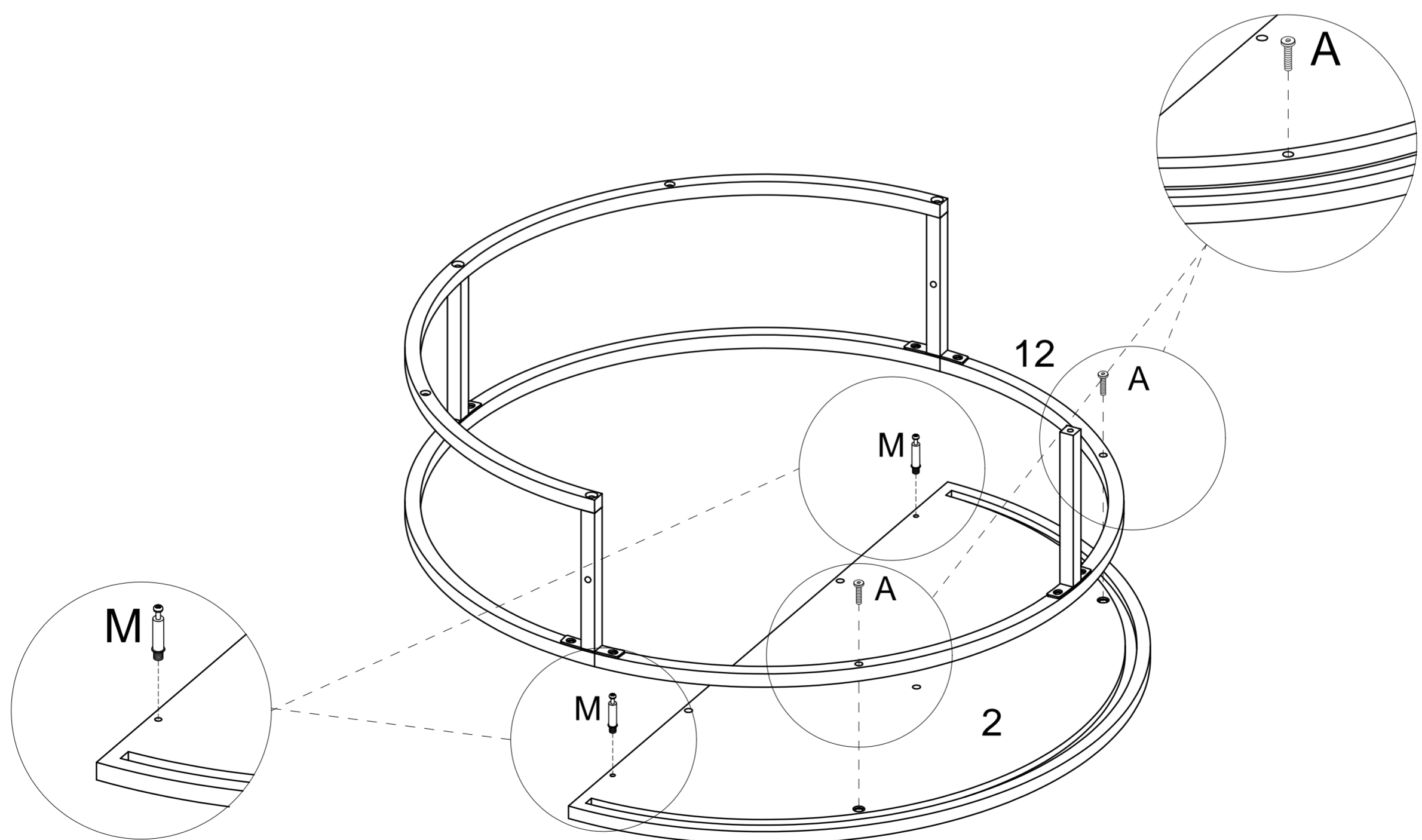
Lx1



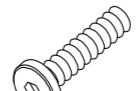
2

Secure Panel (Part 2) to curved tube (Part 12) using screws A.

Lock with screws M.



Ax2



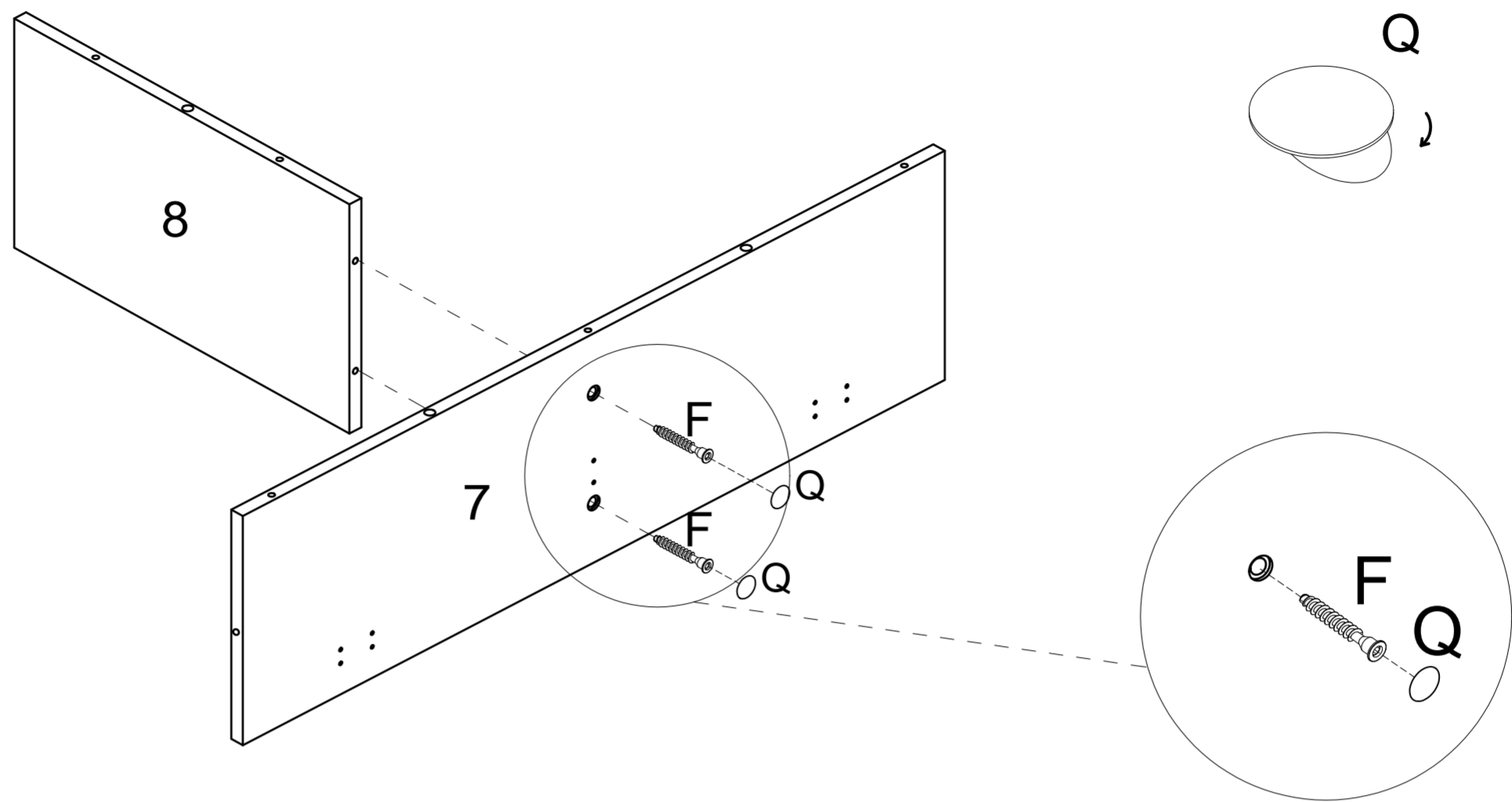
Lx1



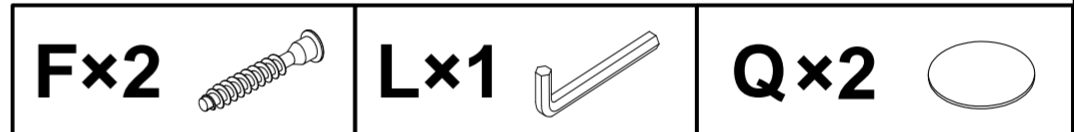
Mx2



3

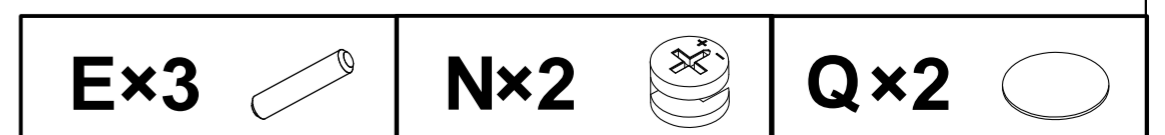
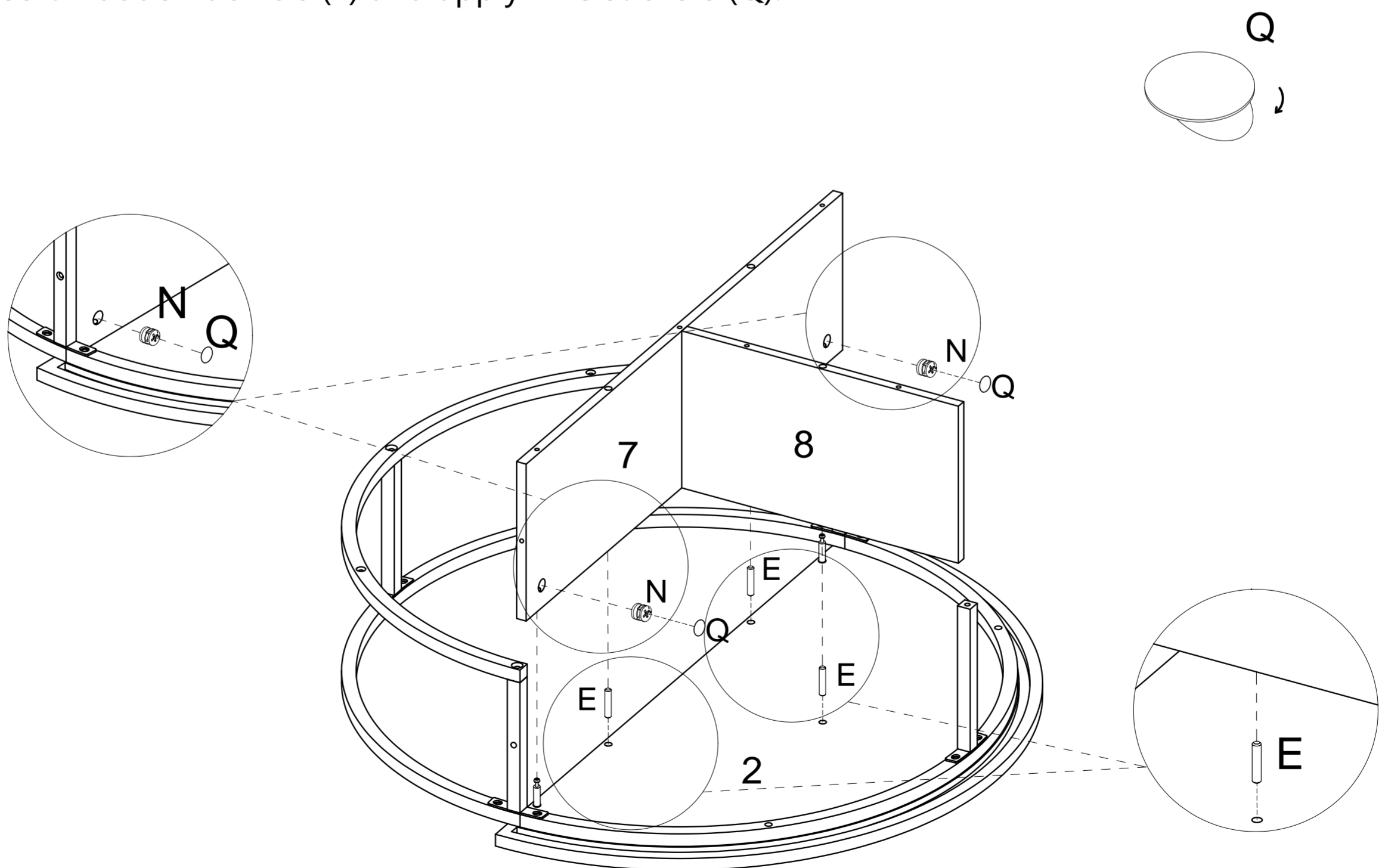


Connect the center divider (Part 7) and middle partition (Part 8) using screws F. Apply PVC stickers (Q) after tightening.

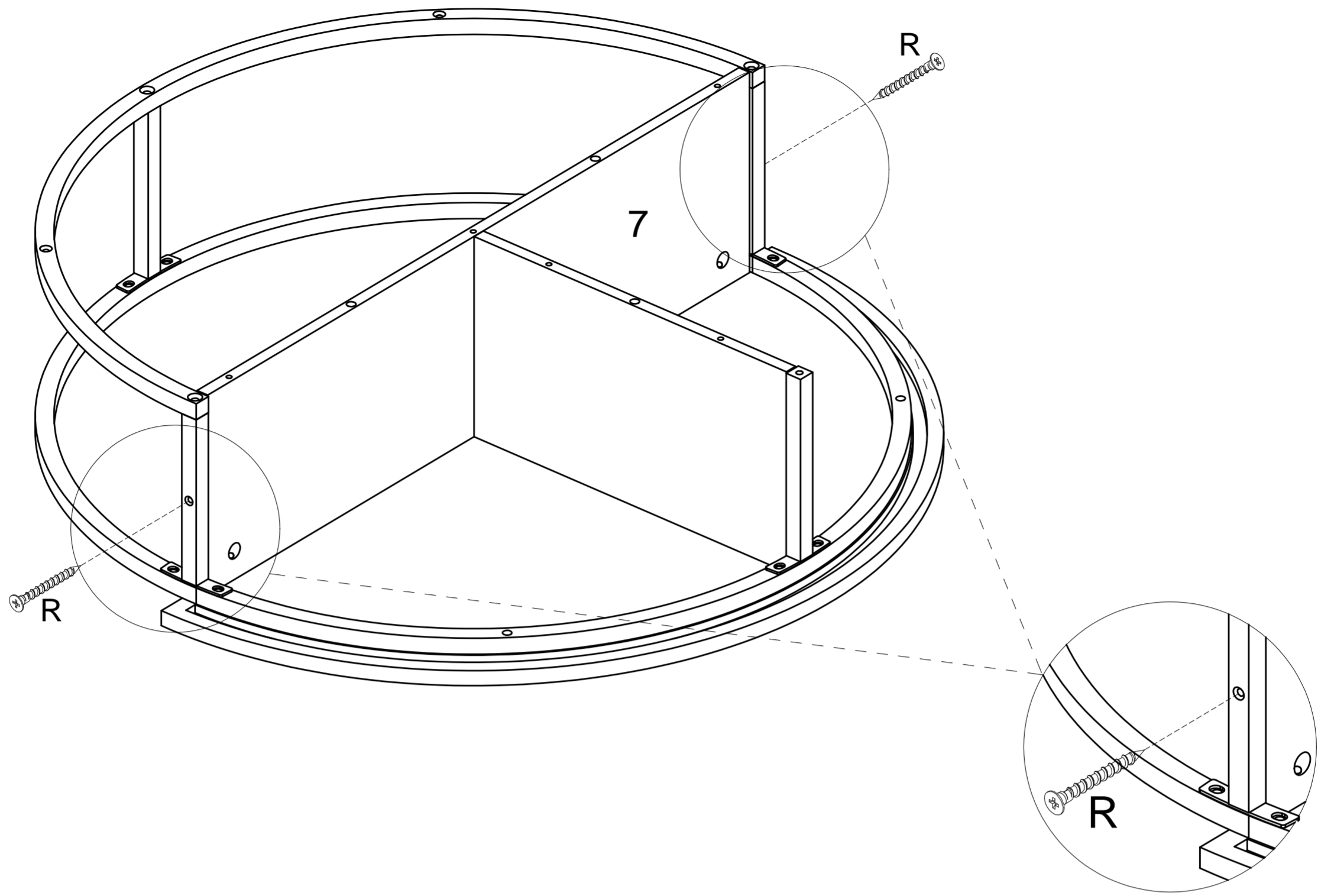


4

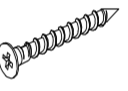
Fix the assembled divider (Parts 7, 8) to Panel (Part 2) using eccentric wheels (N). Insert wooden dowels (E) and apply PVC stickers (Q).



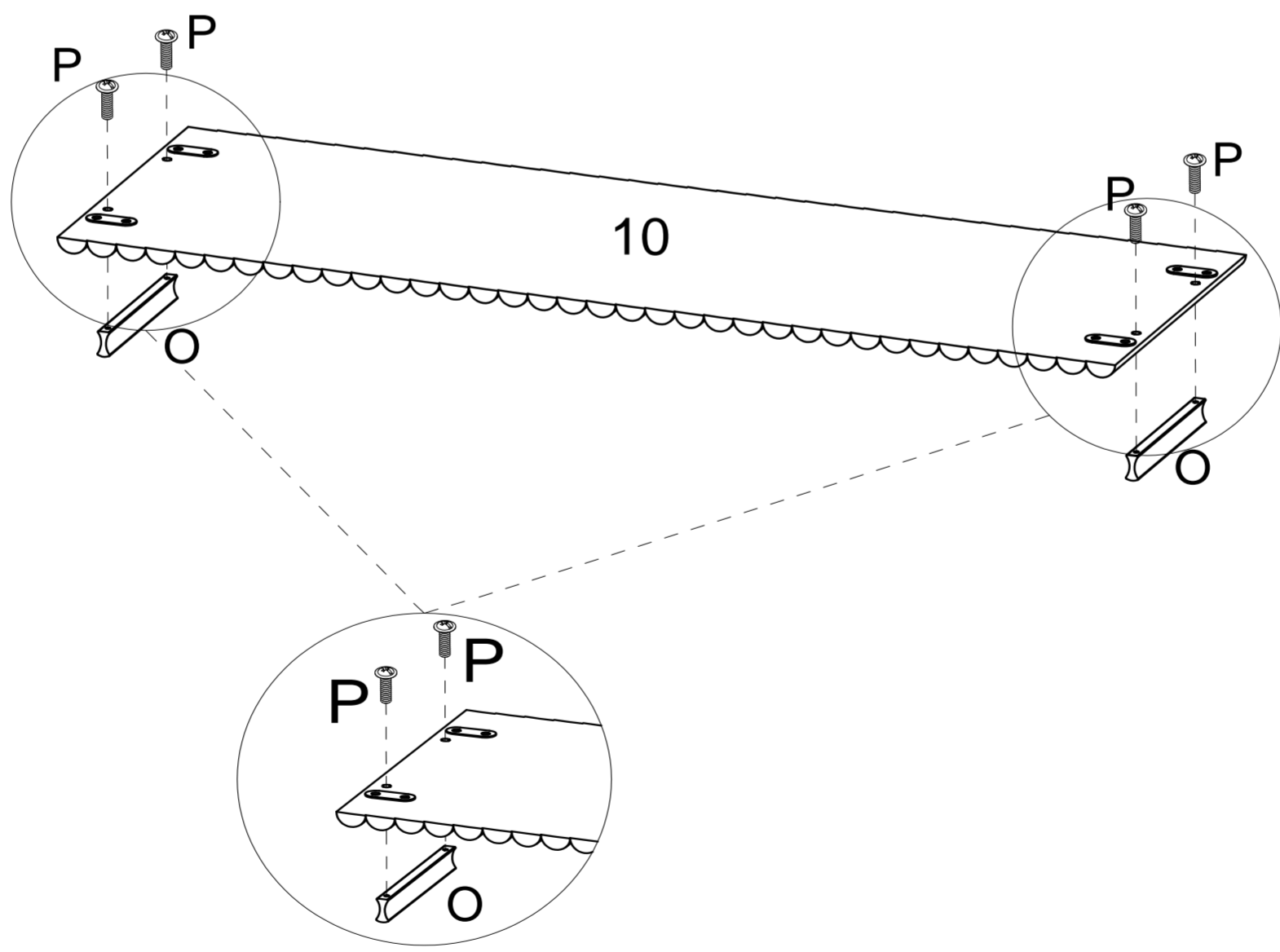
5



Fasten the side of Part 7 with screws R.

R×2 

6

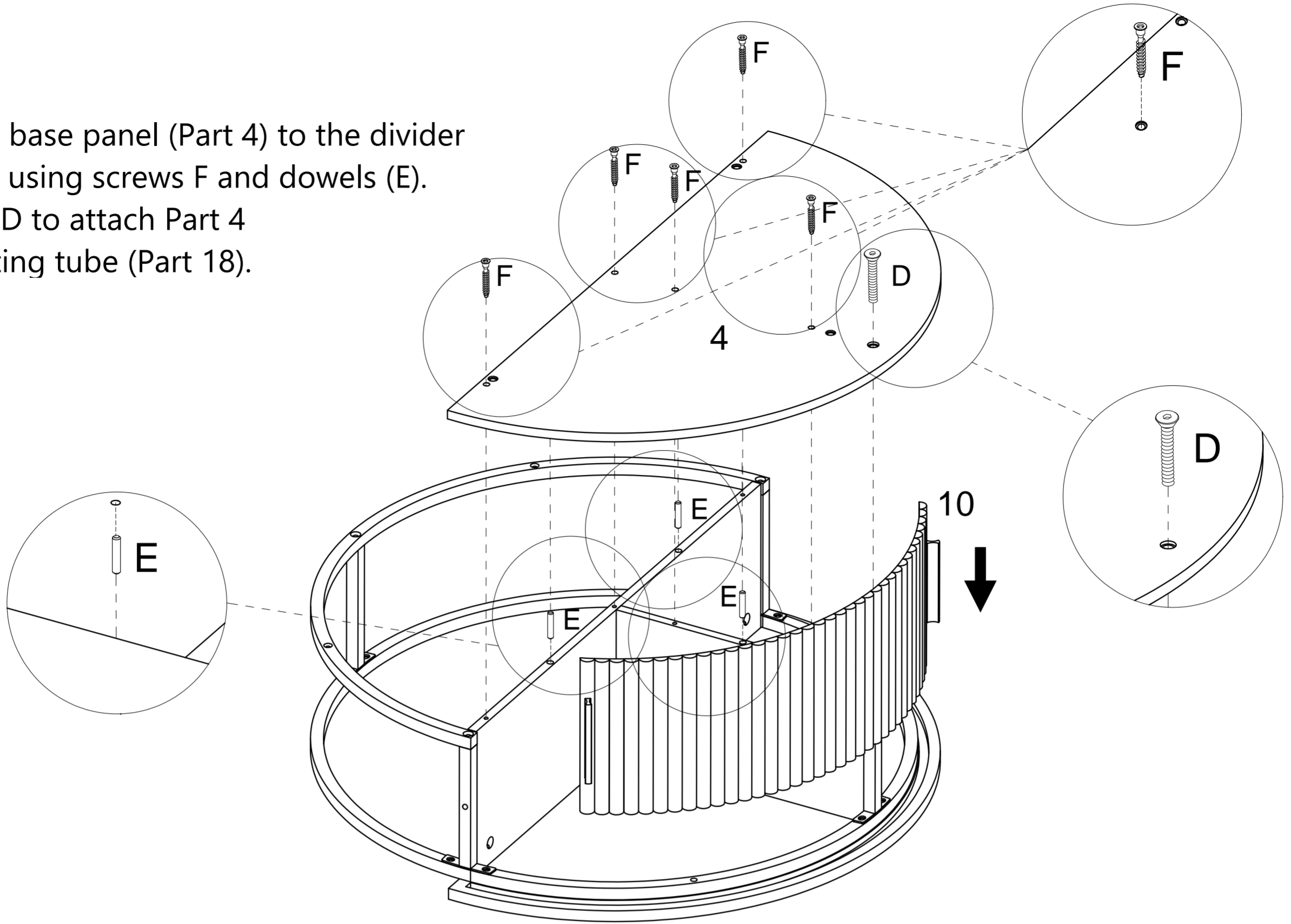


Install handles (O) on the surrounding panel (Part 10).

O×2  P×4 

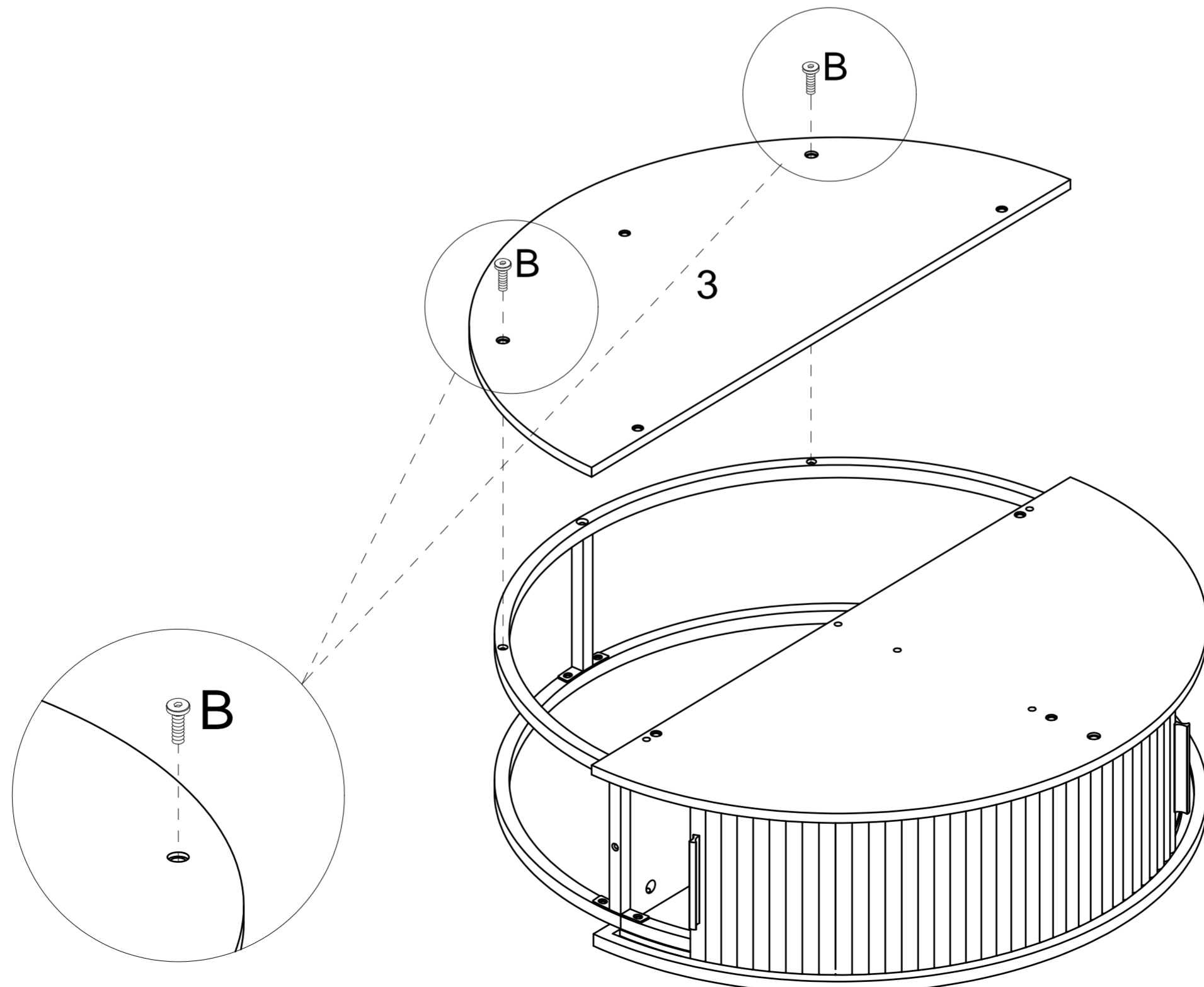
7

Secure the base panel (Part 4) to the divider (Parts 7, 8) using screws F and dowels (E).
Use screw D to attach Part 4 to connecting tube (Part 18).



Dx1		Ex3		Fx5		Lx1	
-----	--	-----	--	-----	--	-----	--

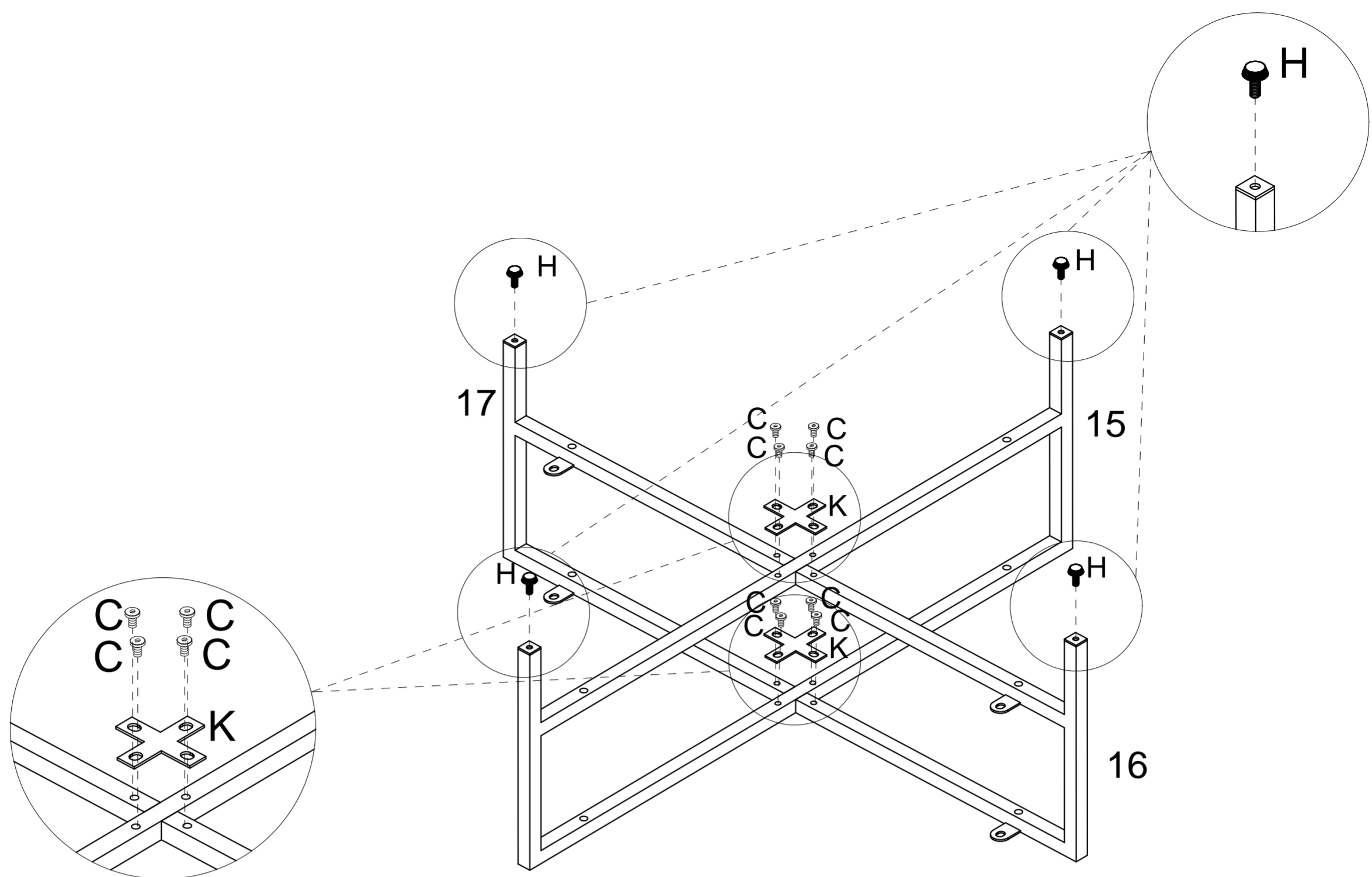
8



Secure the bottom panel (Part 3) to curved tube (Part 13) using screws B.

Bx2		Lx1	
-----	--	-----	--

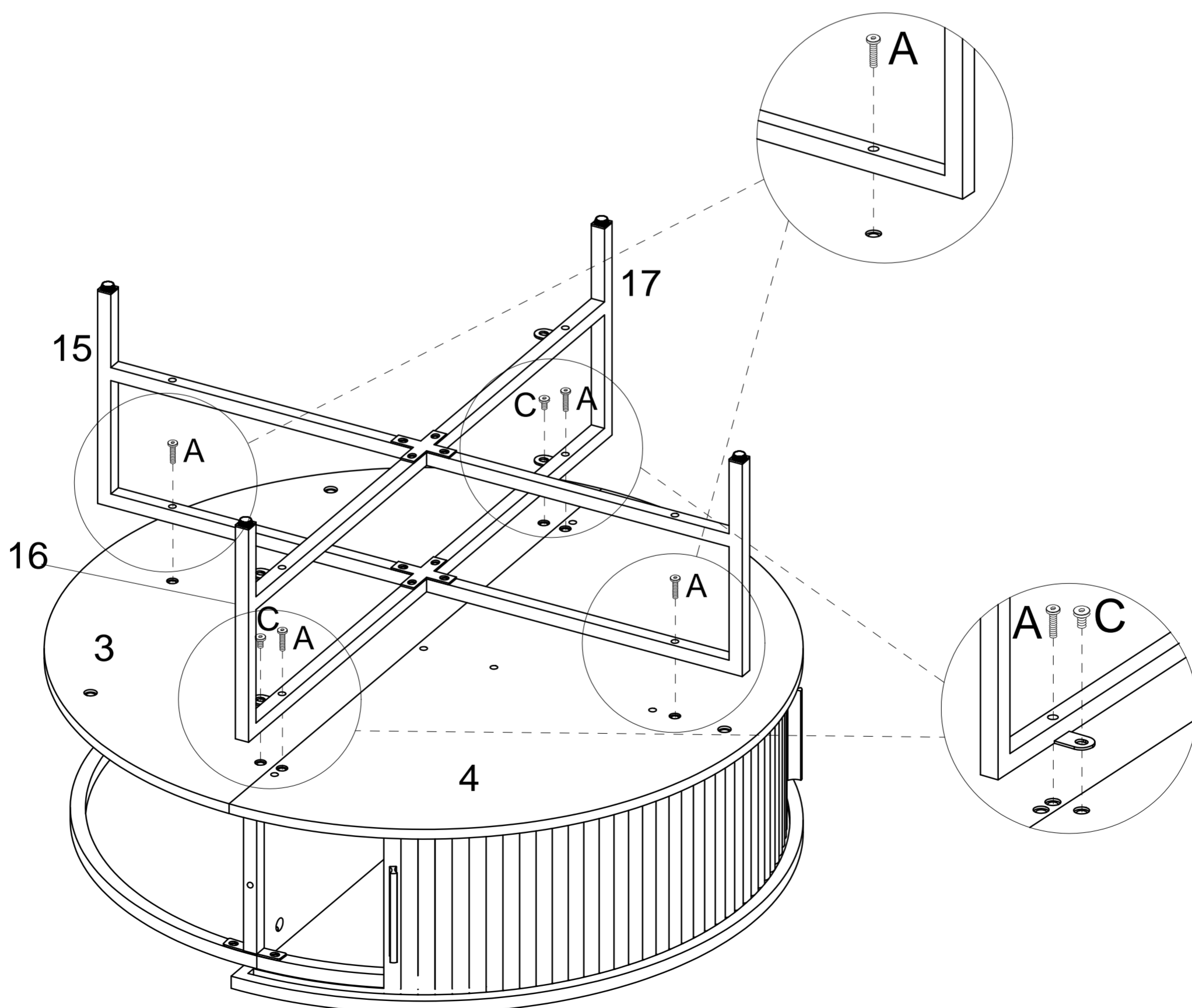
9



Use fittings (K) to connect the long leg tube (Part 15) and short leg tubes (Parts 16, 17).

Cx8 	Hx4 	Kx2 	Lx1 
--	--	--	--

10

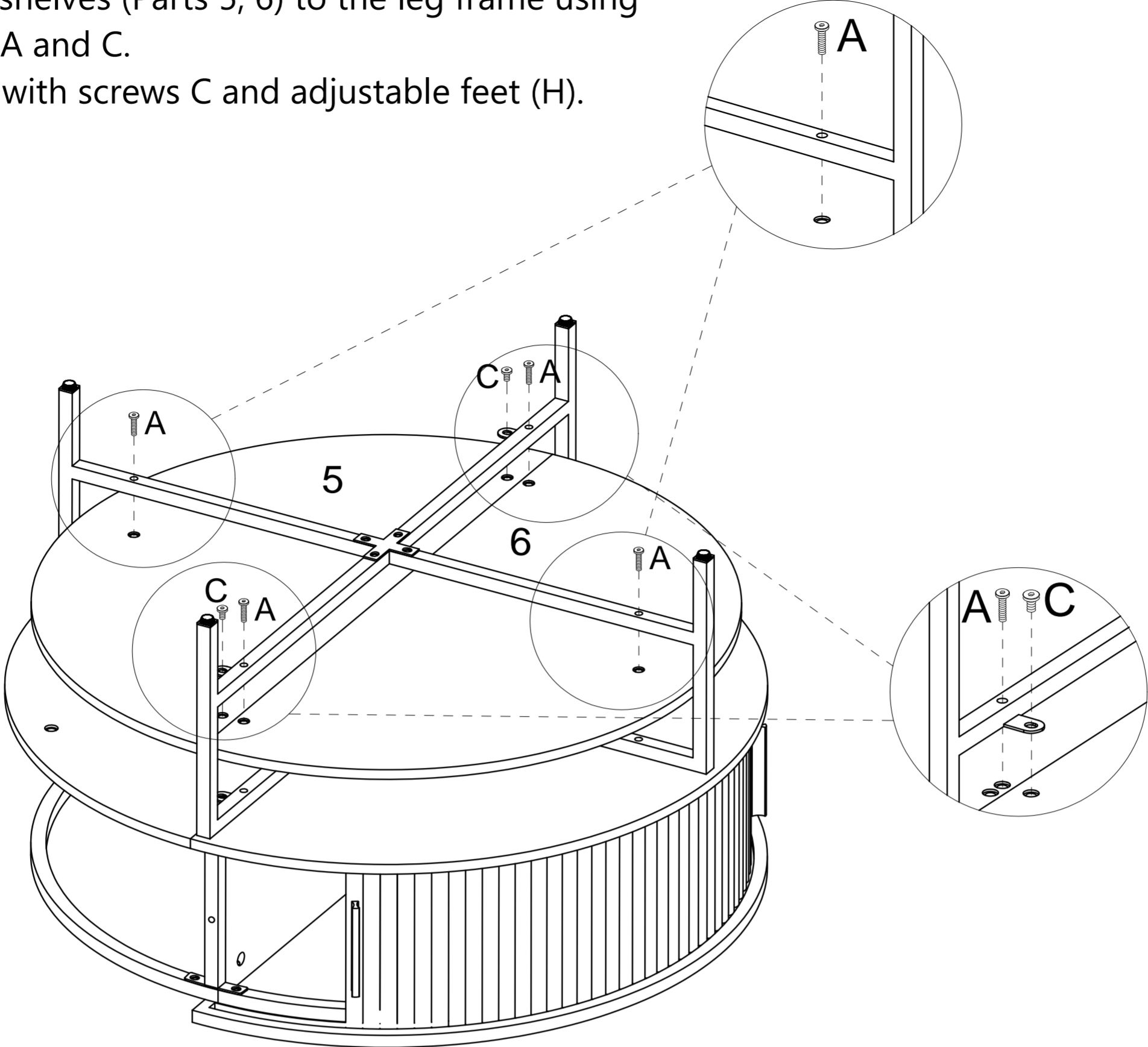


Secure the leg frame to bottom panels (Parts 3, 4) using screws A and C.

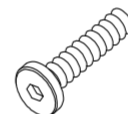
Ax4 	Cx2 	Lx1 
--	--	--

11

Attach shelves (Parts 5, 6) to the leg frame using screws A and C.
Secure with screws C and adjustable feet (H).



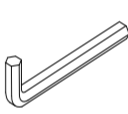
A×4



C×2

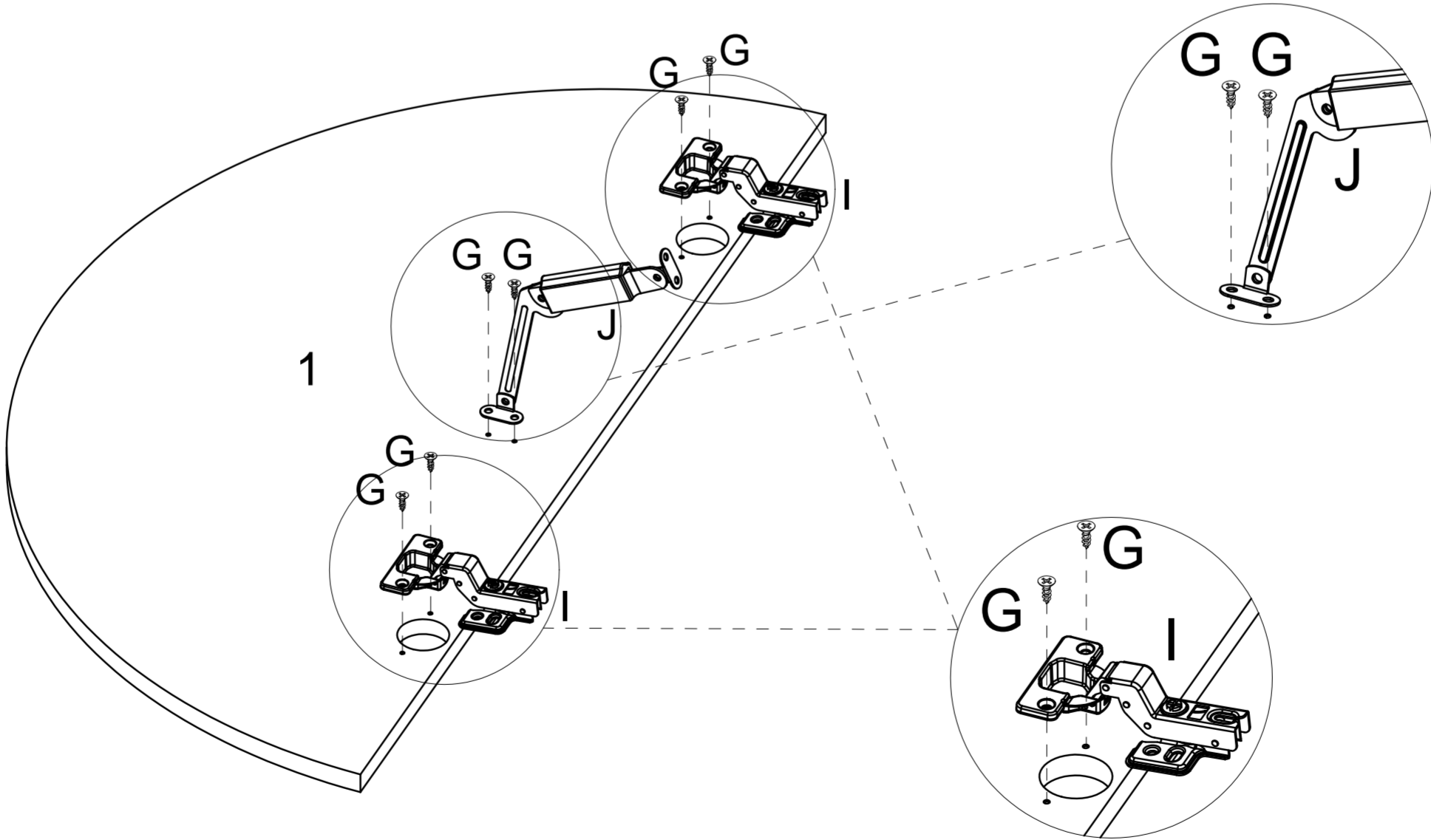


L×1

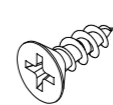


12

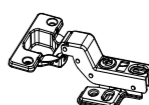
Use screws G to attach hinges (I) and handle (J) to the top panel (Part 1).



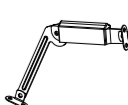
G×6



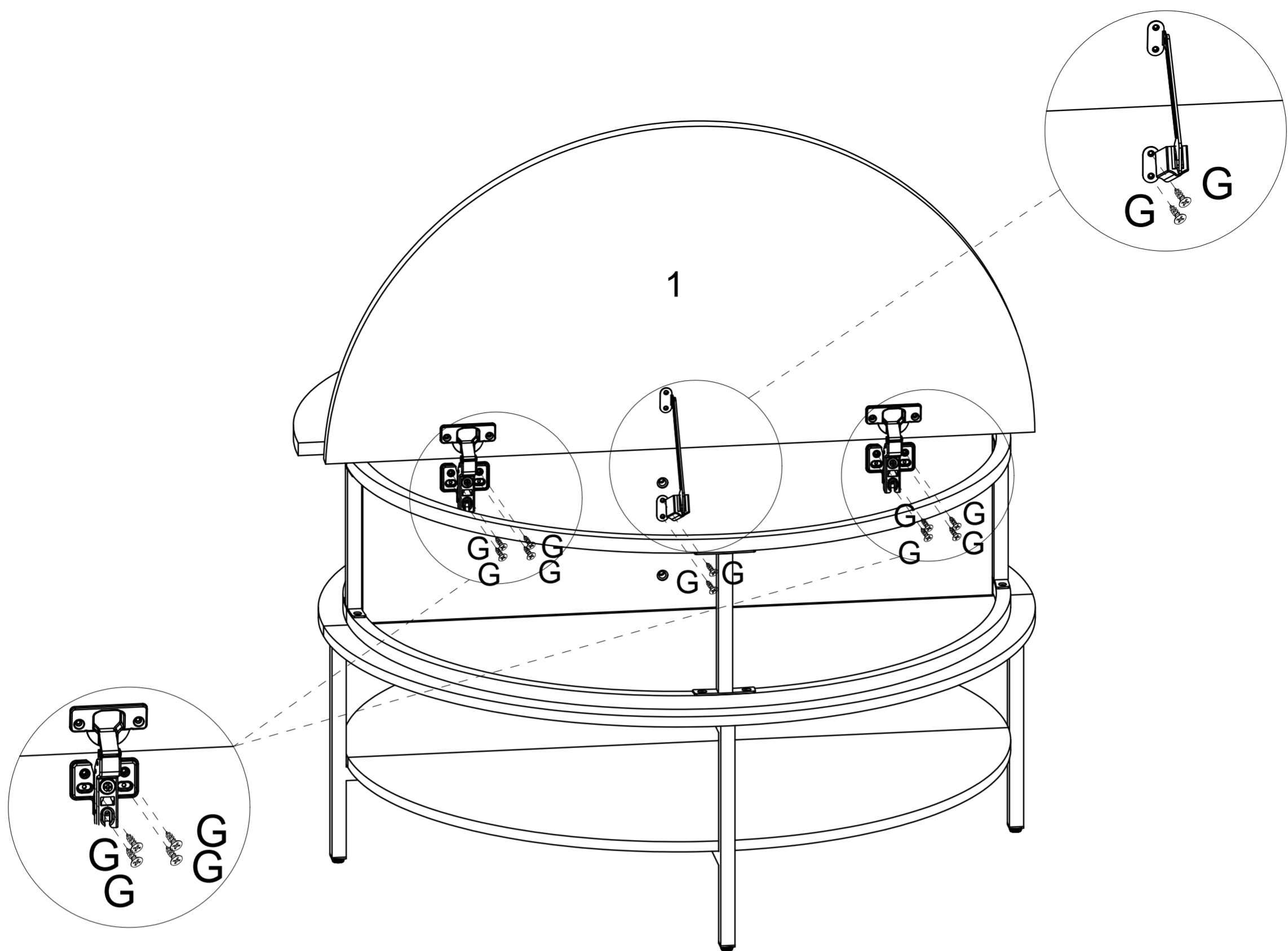
I×2



J×1



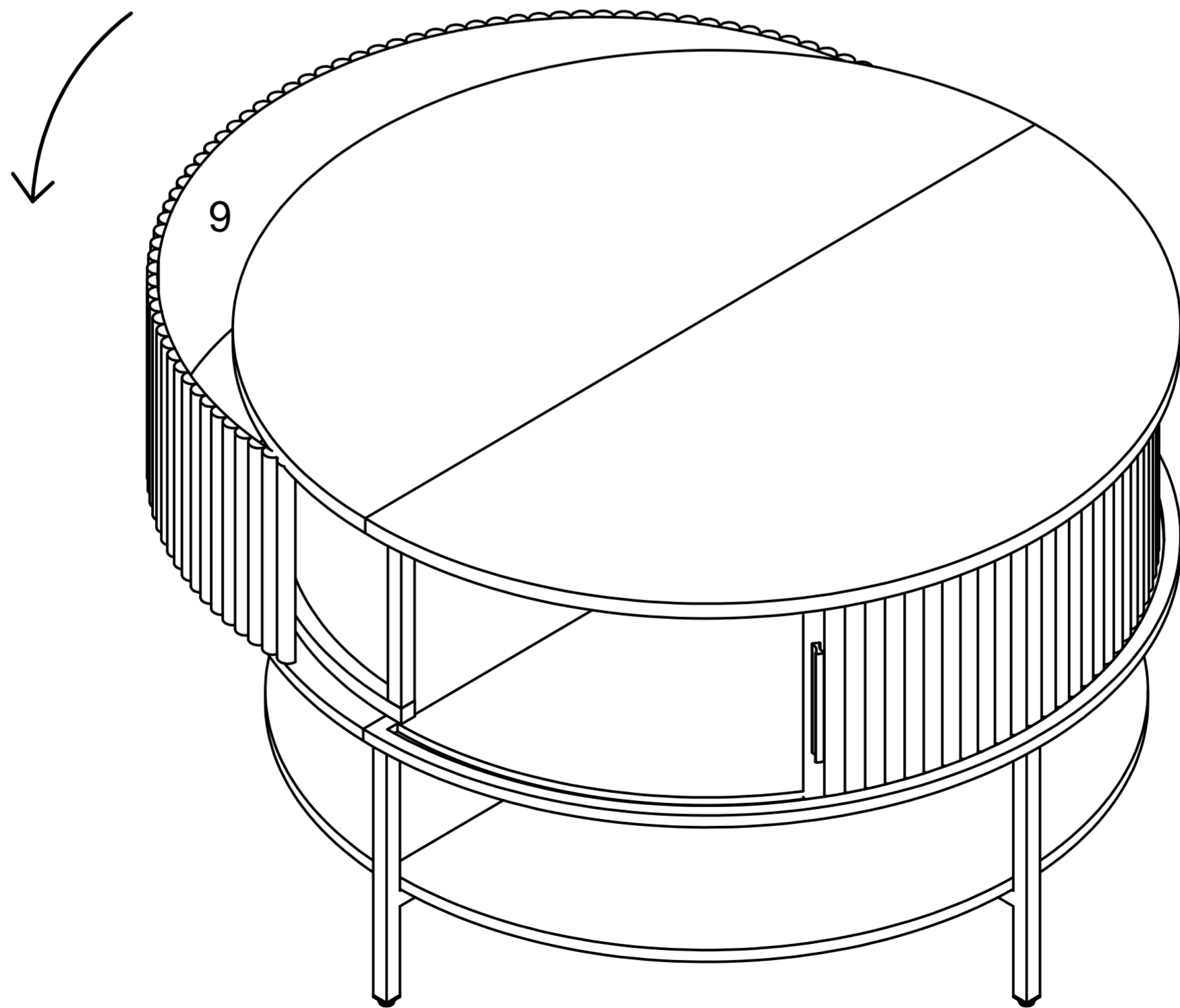
13



Fix the assembled top panel (Part 1) to the center divider using screws G.

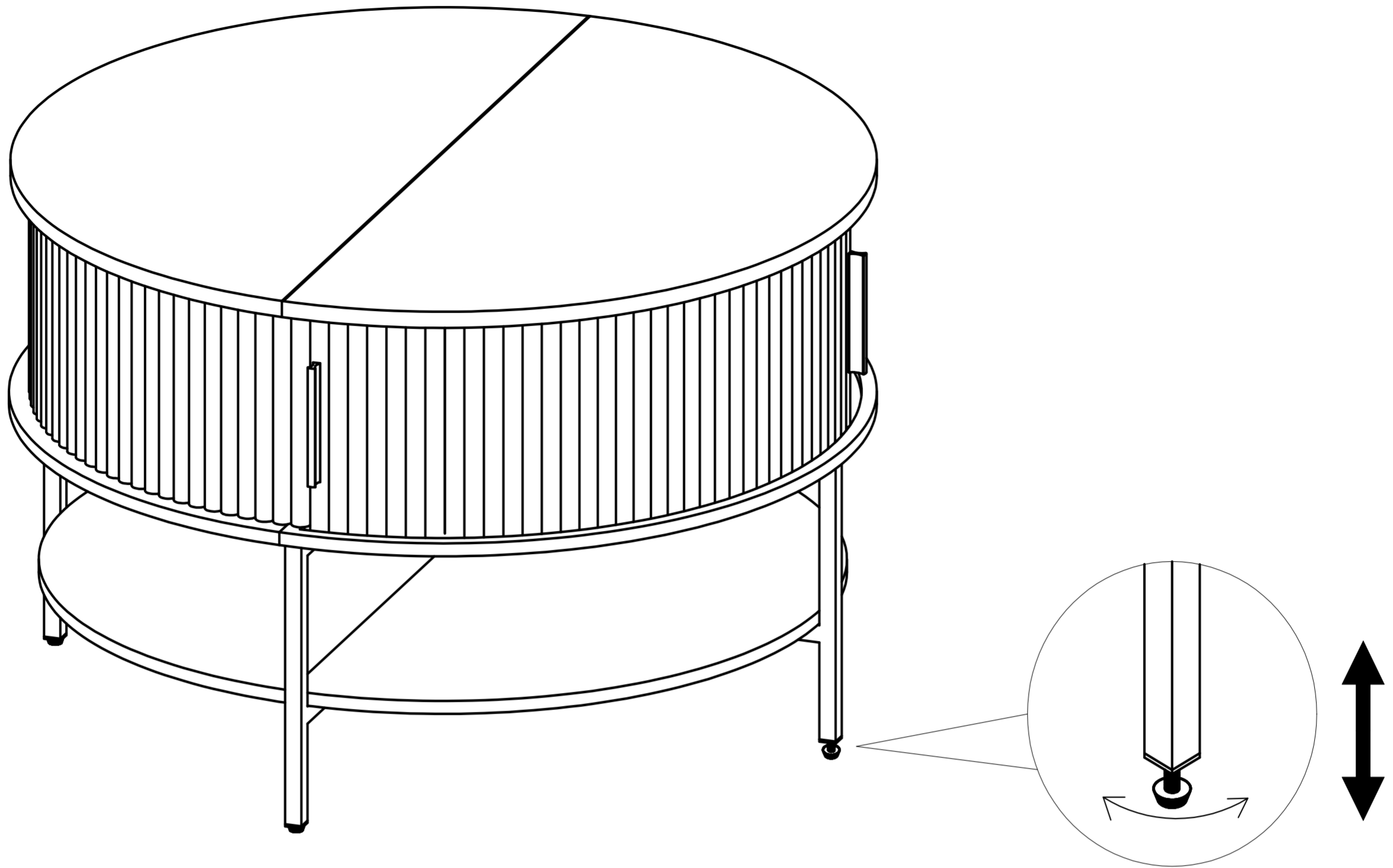
G×10 

14



Evenly wrap the surrounding edge (Part 9) around the frame (Parts 11, 13).

15



If the surface is uneven, adjust the feet (H) until the table is stable.

16

