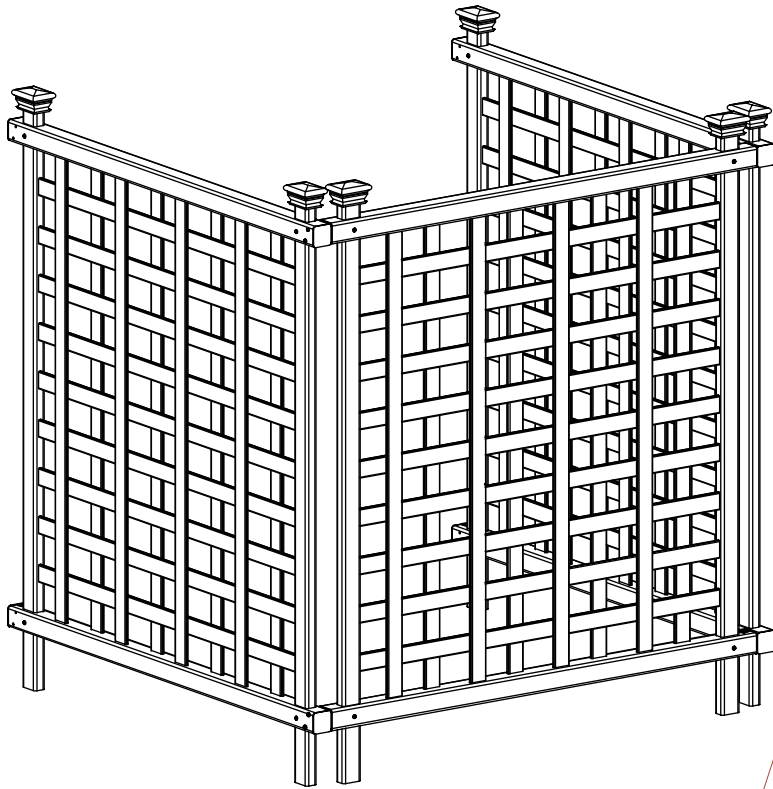


ENCLO

HIDE IT WITH STYLE



Liberty Lattice

AC Screen Kit
36" W x 42" H

45 min

*Approximate assembly
time for 3 screens*



Scan the QR code
for an assembly video



ASSEMBLY INSTRUCTIONS

ZP19052

www.encloscreens.com

VER. 081821

GENERAL INFORMATION



IMPORTANT

- Check the inside of the larger pieces in your box for other materials packed inside.
- When assembling components, place on a non-abrasive surface (i.e. shipping box) to avoid scratching.
- We recommend an area approximately 5'x 8' for unobstructed assembling.
- You should not need to use excessive force when assembling components.

MISSING OR DAMAGED PARTS?

VISIT OUR WEBSITE FIRST, SO WE CAN HELP YOU RIGHT AWAY!

Although great care has been taken to ensure proper packaging and handling of this product, occasionally problems occur. If you discover any missing, damaged or defective parts, please visit our website to order replacement parts. If you experience any further trouble with your product, please contact our customer service department.

 parts.nychbrands.com

 support@encloscreens.com

 **704-892-5222 / 877-234-6196**

Customer service agents are available to take calls weekdays from 9am-5pm EST. If you call outside of business hours, please leave a voicemail.

To help you quickly and accurately, please have reference item number **ZP19052** and the specific part name which can be found on page 4. It is helpful if you can provide the batch lot which is a stamped number on the end of the box.

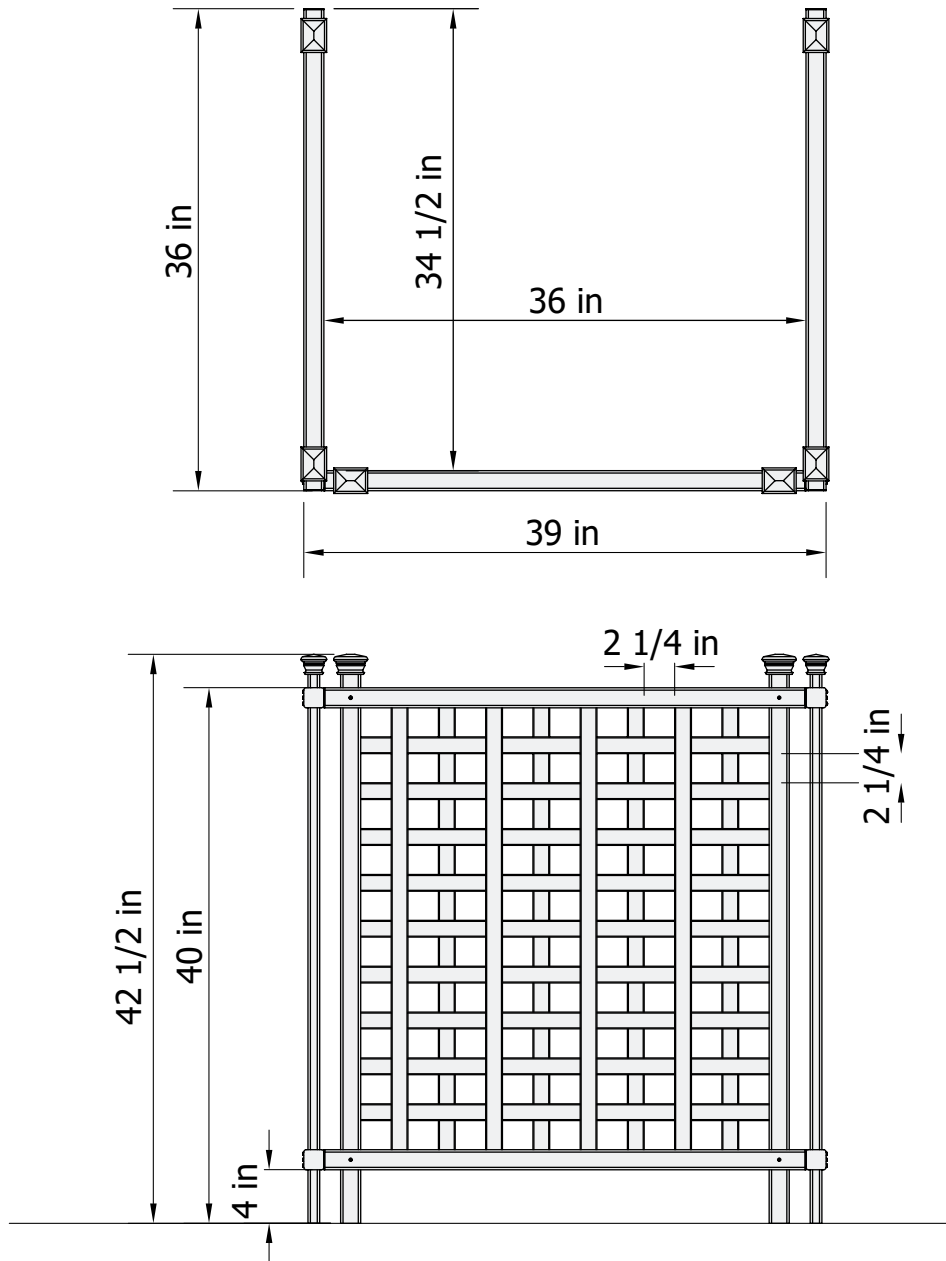
NEED ASSEMBLY HELP?

If you are having problems with the assembly or installation of this product, we are happy to assist you with the process, **so please give us a call at 704-892-5222 / 877-234-6196**

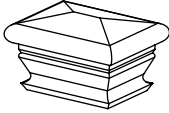
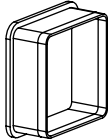
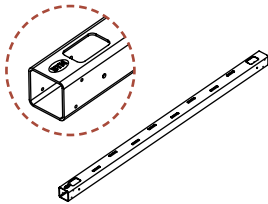
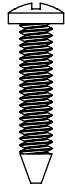
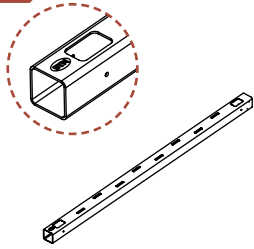
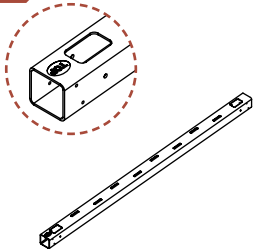
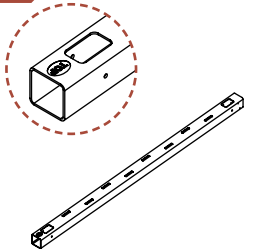
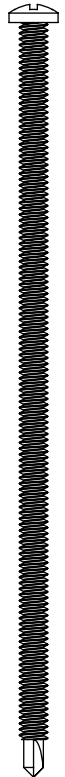

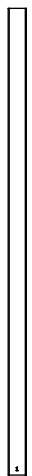

NEED TO RETURN?

If for some reason you need to return this product, please allow us to help resolve your issues first. If you still decide to return the product, **you will need to initiate the return from the company you originally purchased from.**

Detailed Product Dimensions & Specifications



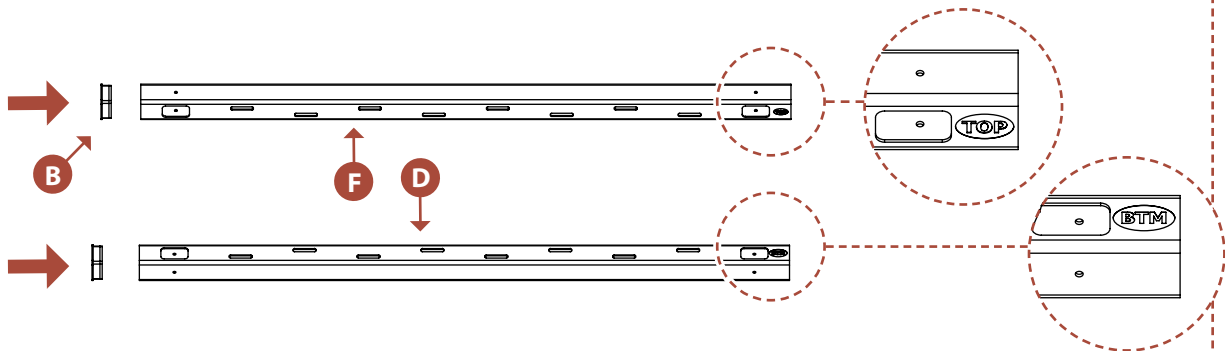
STEP 1: LAY OUT MATERIALS

<p>A</p>  <p>Post Cap (6)</p>	<p>B</p>  <p>Rail End Cap (12) (6 installed, 6 loose)</p>	<p>C</p>  <p>Side Panel Bottom Rail (2) 1 1/2" x 1 1/2" x 36"</p>	<p>J</p>  <p>3/4" Self-Tapping Stainless Steel Screw (24) (For panel assembly)</p>
<p>D</p>  <p>Front Panel Bottom Rail (1) 1 1/2" x 1 1/2" x 36"</p>	<p>E</p>  <p>Side Panel Top Rail (2) 1 1/2" x 1 1/2" x 36"</p>	<p>F</p>  <p>Front Panel Top Rail (1) 1 1/2" x 1 1/2" x 36"</p>	<p>K</p>  <p>4" Self-Drilling Stainless Steel Screw (8) (for connecting panels)</p>
<p>G</p>  <p>Post (6) 7/8" x 1 1/2" x 42"</p>	<p>H</p>  <p>Horizontal Picket (27) 1 1/4" x 1/4" x 33 1/4" (Marked with sticker labeled "1")</p>	<p>I</p>  <p>Vertical Picket (24) 1 1/4" x 1/4" x 35 3/4" (Marked with sticker labeled "2")</p>	

STEP 2: ASSEMBLE FULL PANEL

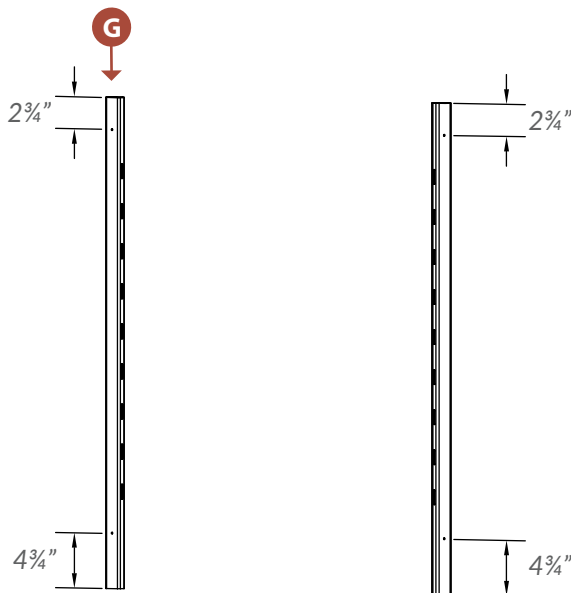
STEP 2.1

- ▶ Identify the Front Panel Top Rail (**F**) and the Front Panel Bottom Rail (**D**) as shown below. Pressure fit (2) loose Rail End Caps (**B**) into the ends of each rail. Set these rails aside for now.



STEP 2.2

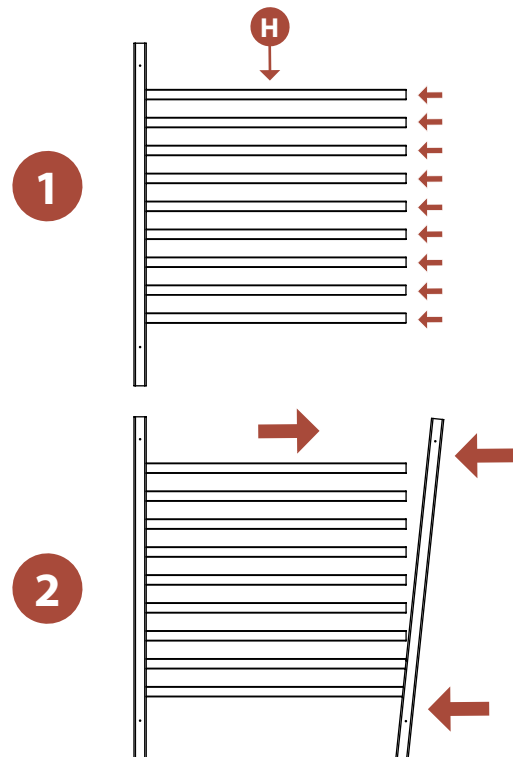
- ▶ Take (2) Posts (**G**) and position them so the routed holes face in towards each other as shown.



Note: Identify the top of the screen by finding the side of the posts with pre-drilled holes $2\frac{3}{4}$ " from the end of the posts.

STEP 2.3

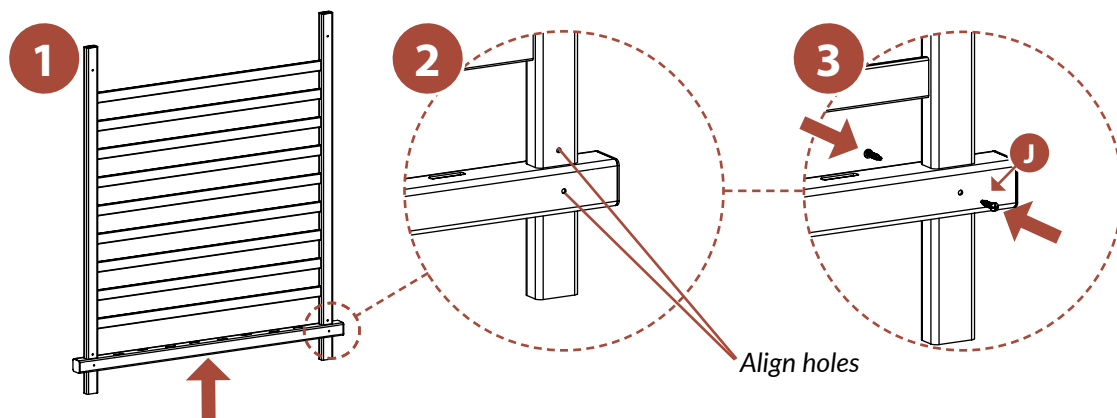
1. Insert (9) Horizontal Pickets (**H**) into the routed holes in one of the posts.
2. Starting at one end of the opposite post, guide the pickets into the routed holes in the post.



STEP 3: ASSEMBLE FENCE PANEL

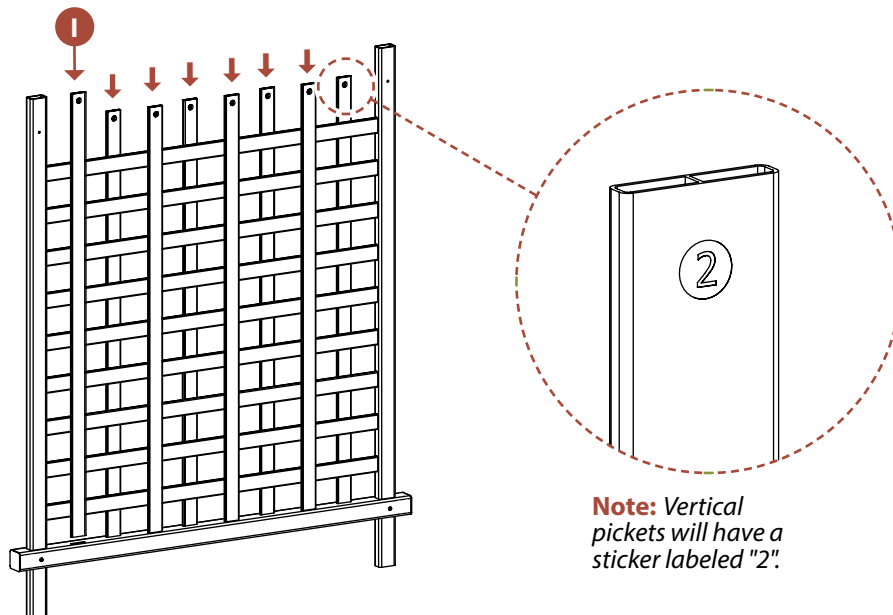
STEP 3.1

1. Take one of the front bottom rails and slide it up over the posts as illustrated. Make sure the routed picket holes in the front bottom rails are facing up.
2. Align the pre-drilled holes in the posts and the front bottom rail.
3. Drive (4) $\frac{3}{4}$ " Self-Drilling Stainless Steel Screws (J) into the pre-drilled holes on the front and back of the front bottom rail.



STEP 3.2

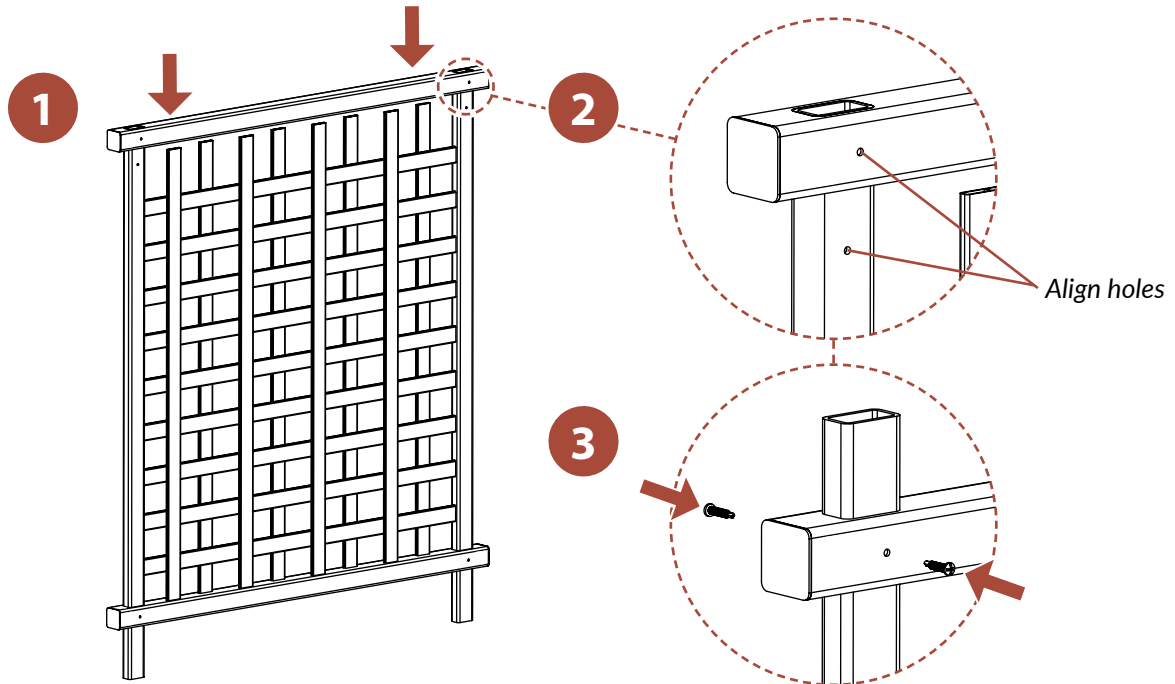
- Insert the (8) Vertical Pickets (I) into the routed picket holes in the front bottom rail.



STEP 4: ASSEMBLE FULL PANEL

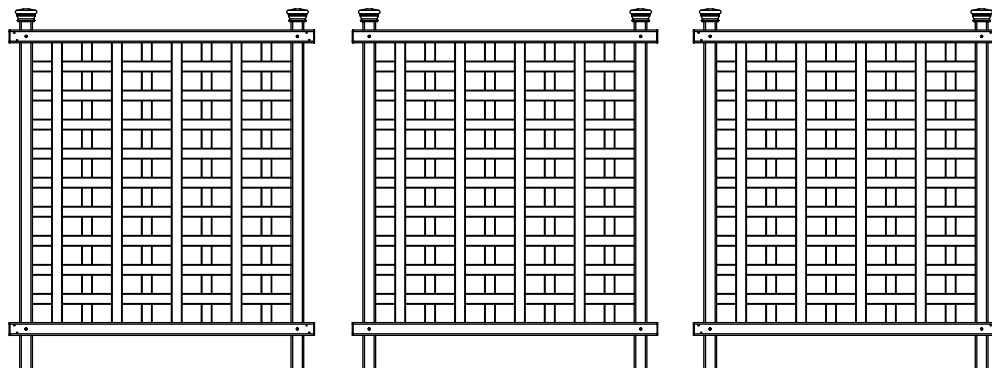
STEP 4.1

1. Slide the front top rail over the posts ensuring the picket holes in the front top rail are facing down.
2. Guide the pickets into the front top rail and slide it down until the pre-drilled holes in the front top rail align with the holes in the post.
3. Drive (4) $\frac{3}{4}$ " self-drilling stainless steel screws into the aligned pre-drilled holes.



STEP 4.2

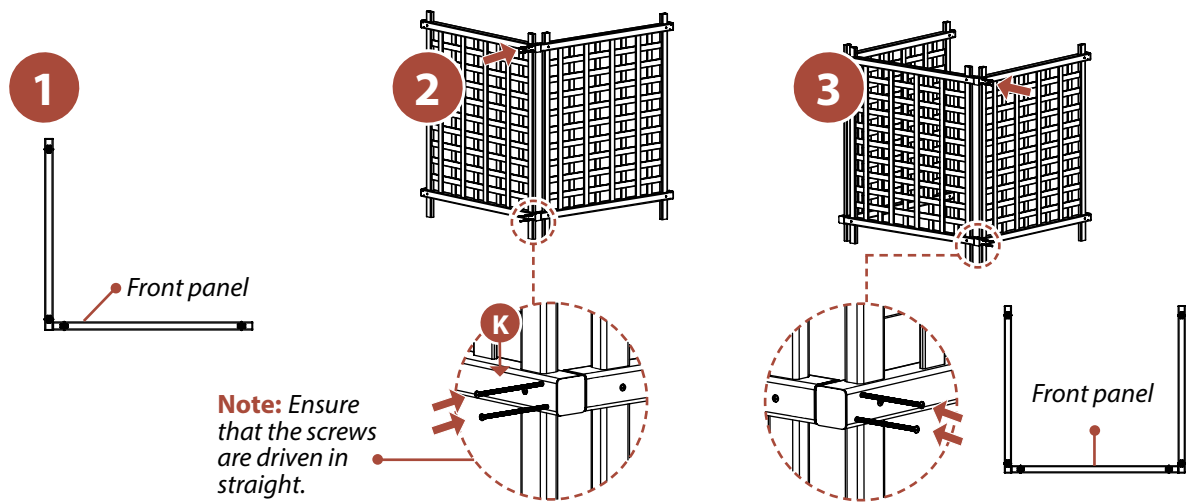
- ▶ Repeat steps 2-4 using the Side Panel Top Rail (E) and Side Panel Bottom Rail (C) to assemble the other two panels.



STEP 5: ASSEMBLE FENCE PANEL

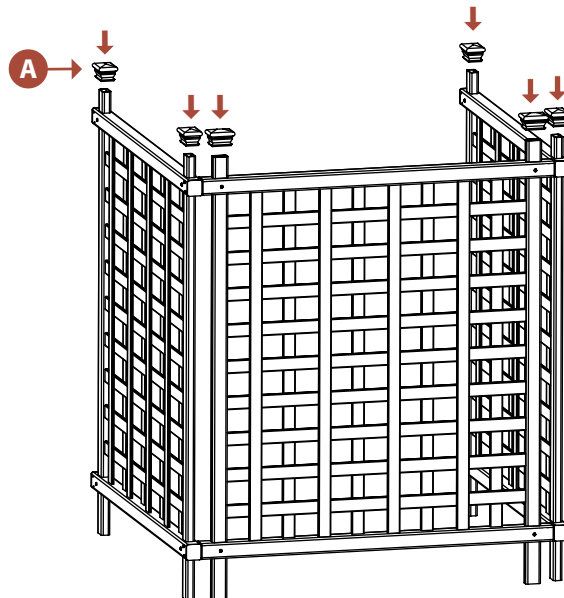
STEP 5.1

1. Take one of the two assembled side panels and place it at a right angle to the front panel as shown.
2. Drive (4) 4" Self-Drilling Stainless Steel Screws (**K**) into the pre-drilled holes in the side panel top and bottom rails.
3. Repeat this process on the other side with the third screen as shown below.



STEP 5.2

1. Install (6) Post Caps (**A**) over the tops of the posts to complete the screen.



ENCLO

HIDE IT WITH STYLE

www.encloscreens.com

support@encloscreens.com



704-892-5222
877-234-6196



6935 Reames Rd. Ste. K.
Charlotte, NC 28216



ASSEMBLY
INSTRUCTIONS
ZP19052

VER. 081821