

ASSEMBLY INSTRUCTIONS

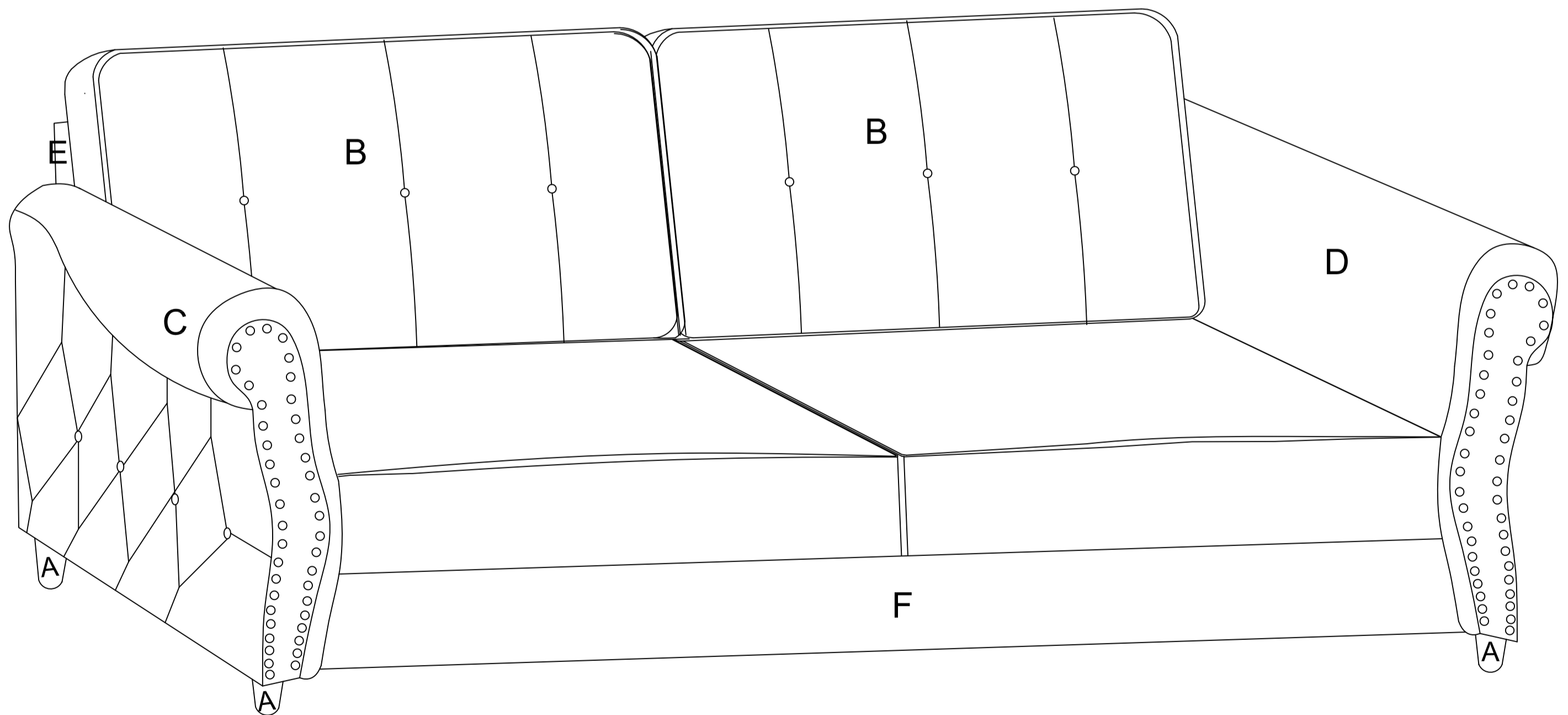
S5467/S5466/S5465/S5464

IMPORTANT NOTE:

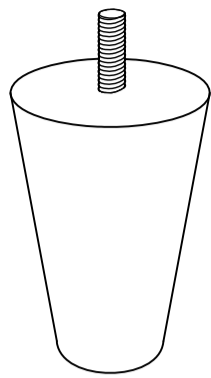
** PLACE ALL PARTS ON A CLEAN AND SMOOTH SURFACE SUCH AS A RUG OR CARPET TO AVOID THE PARTS FROM BEING SCRATCHED.

** BEFORE YOU BEGIN, KINDLY FOLLOW THE ASSEMBLY INSTRUCTIONS STEP BY STEP

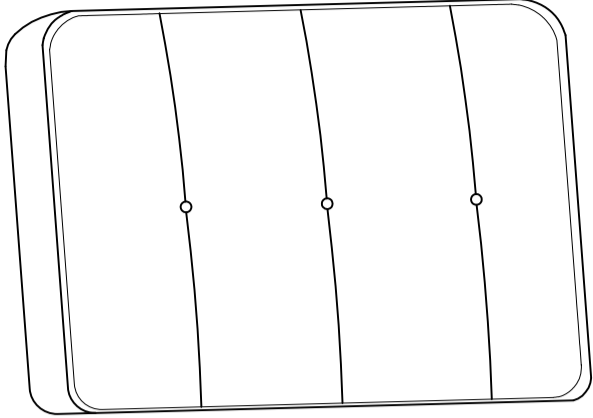
** DO NOT SIT UNTIL THE SOFA FULLY SET-UP.



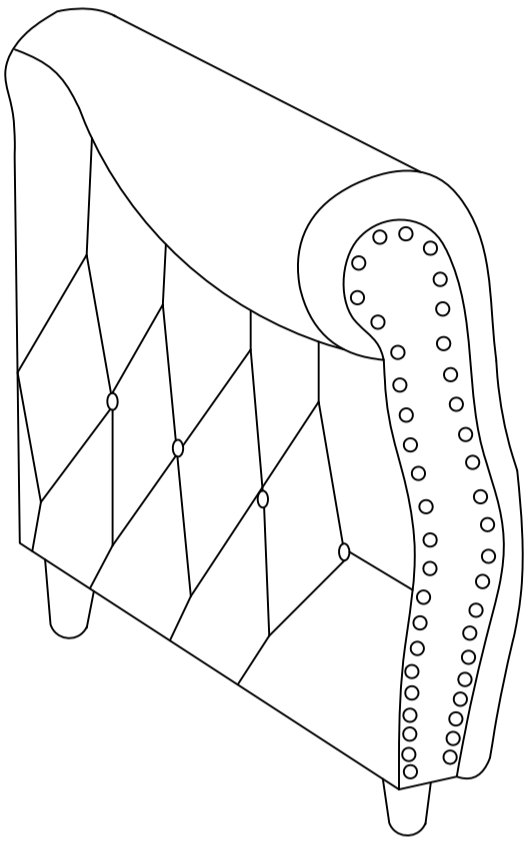
PARTS AND HARDWARE



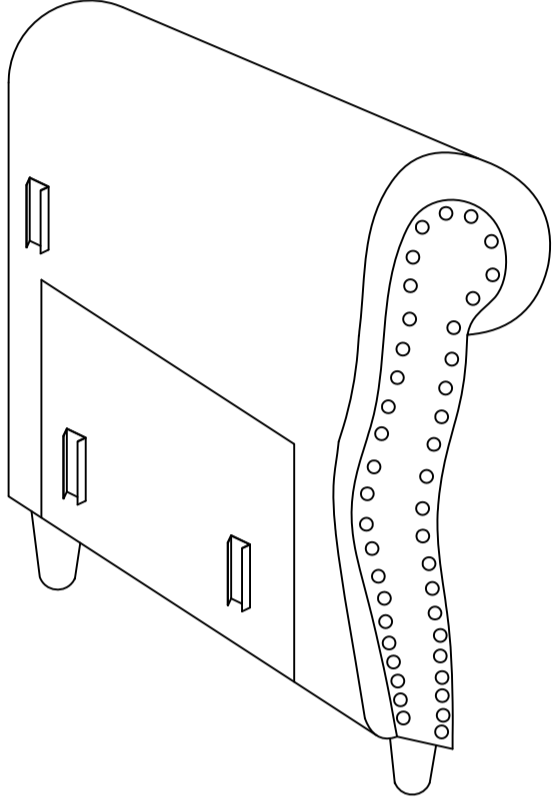
A: Leg 4PCS



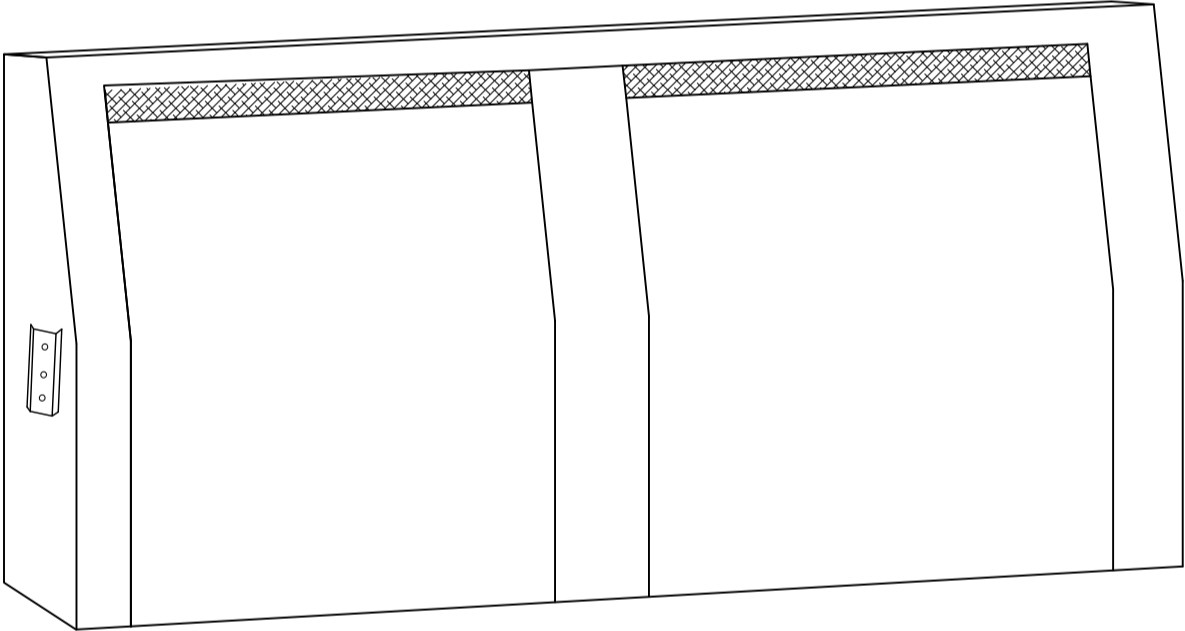
B:Back Cushion 2PCS



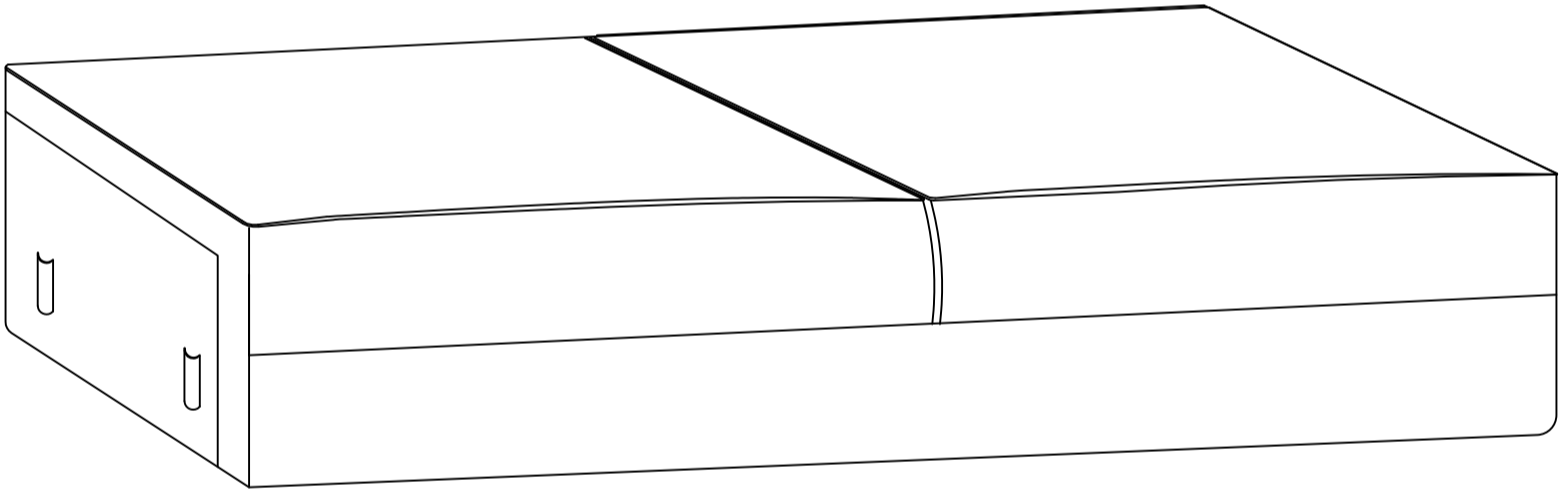
C: Left Arm 1PC



D: Right Arm 1PC

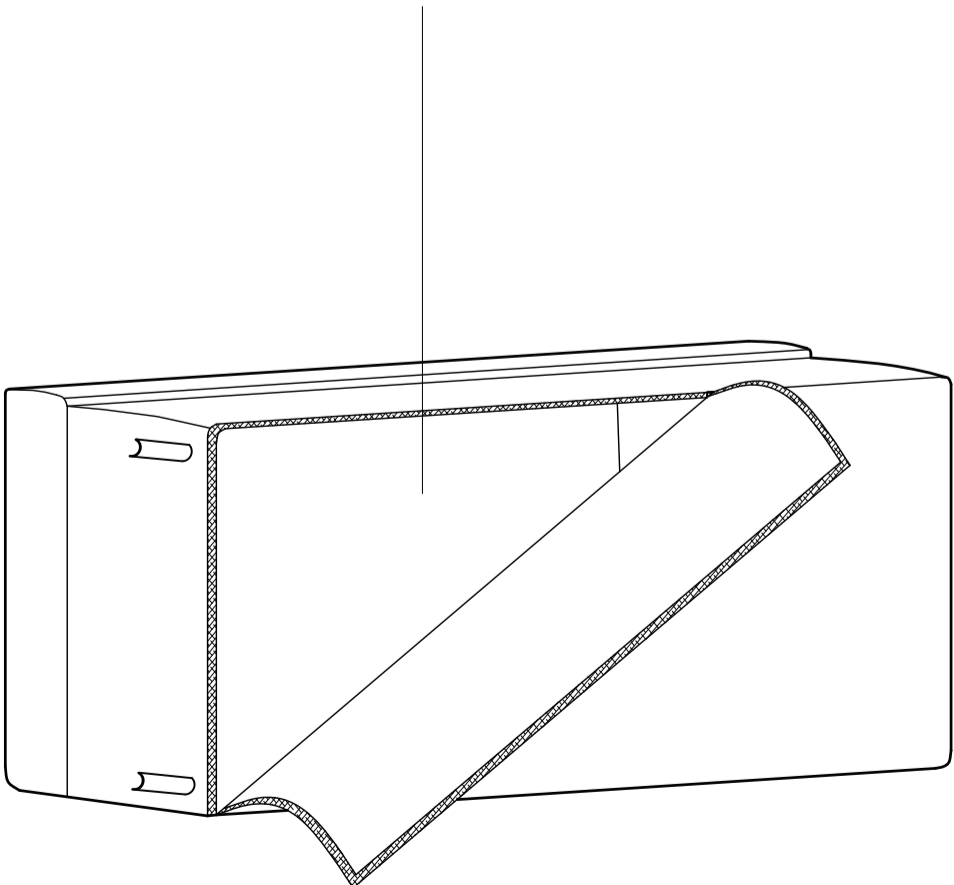


E: Backrest 1PC



F: Sofa Body 1PC

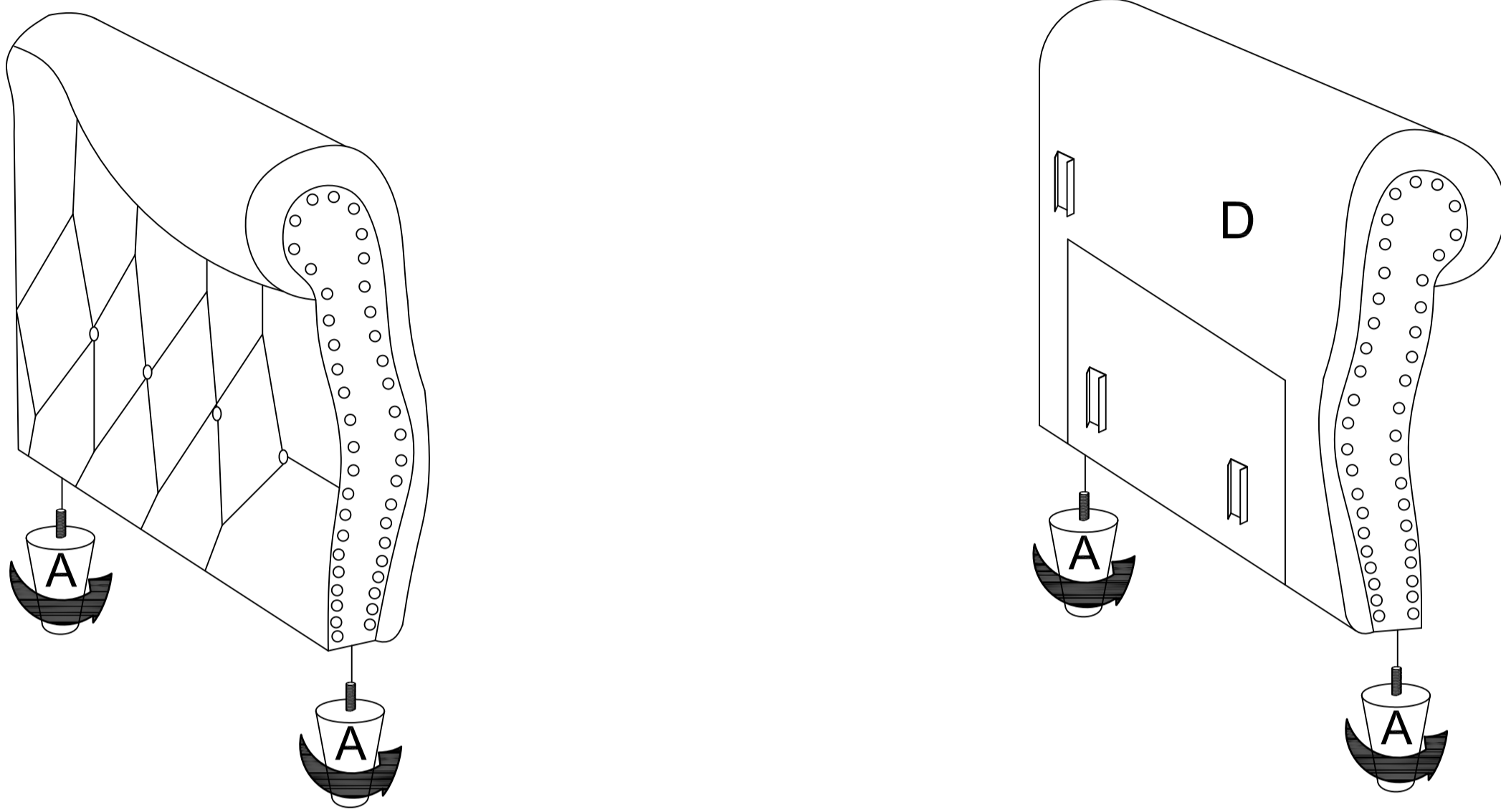
Ax4,Bx3,Cx1,Dx1,Gx4
Packed in sofa storage(F)



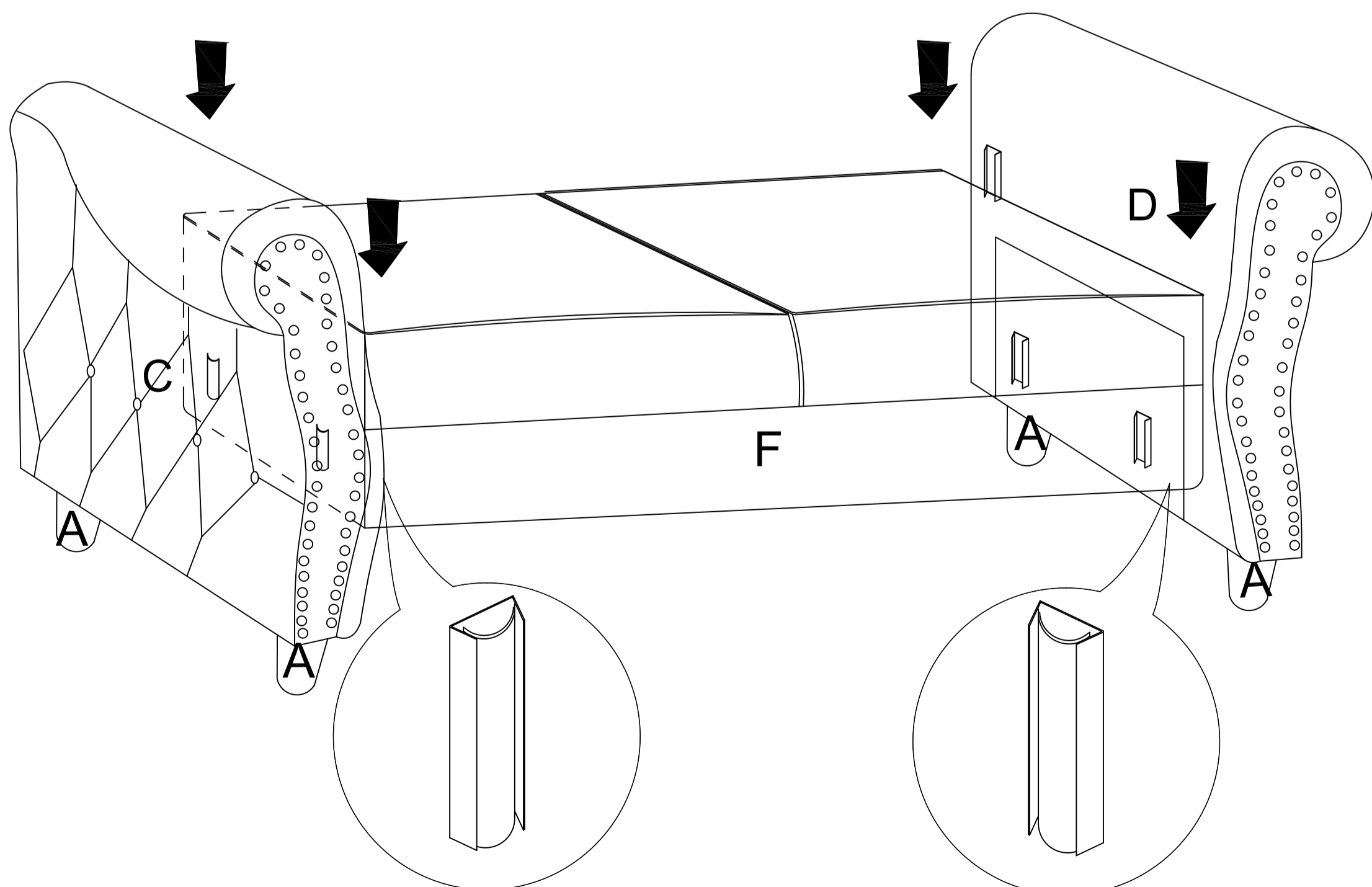
CAREFULLY UNPACK AND PLACE SOFA BODY(F) UNIT ON A CLEAN FLAT SURFACE TO SHOW THE BASE AS SHOWN. UNPACK PARTS FROM THE STORAGE COMPARTMENT.

ASSEMBLY INSTRUCTIONS

STEP 1: Assemble the legs (A) to the left arm (C) and the right arm (D) .

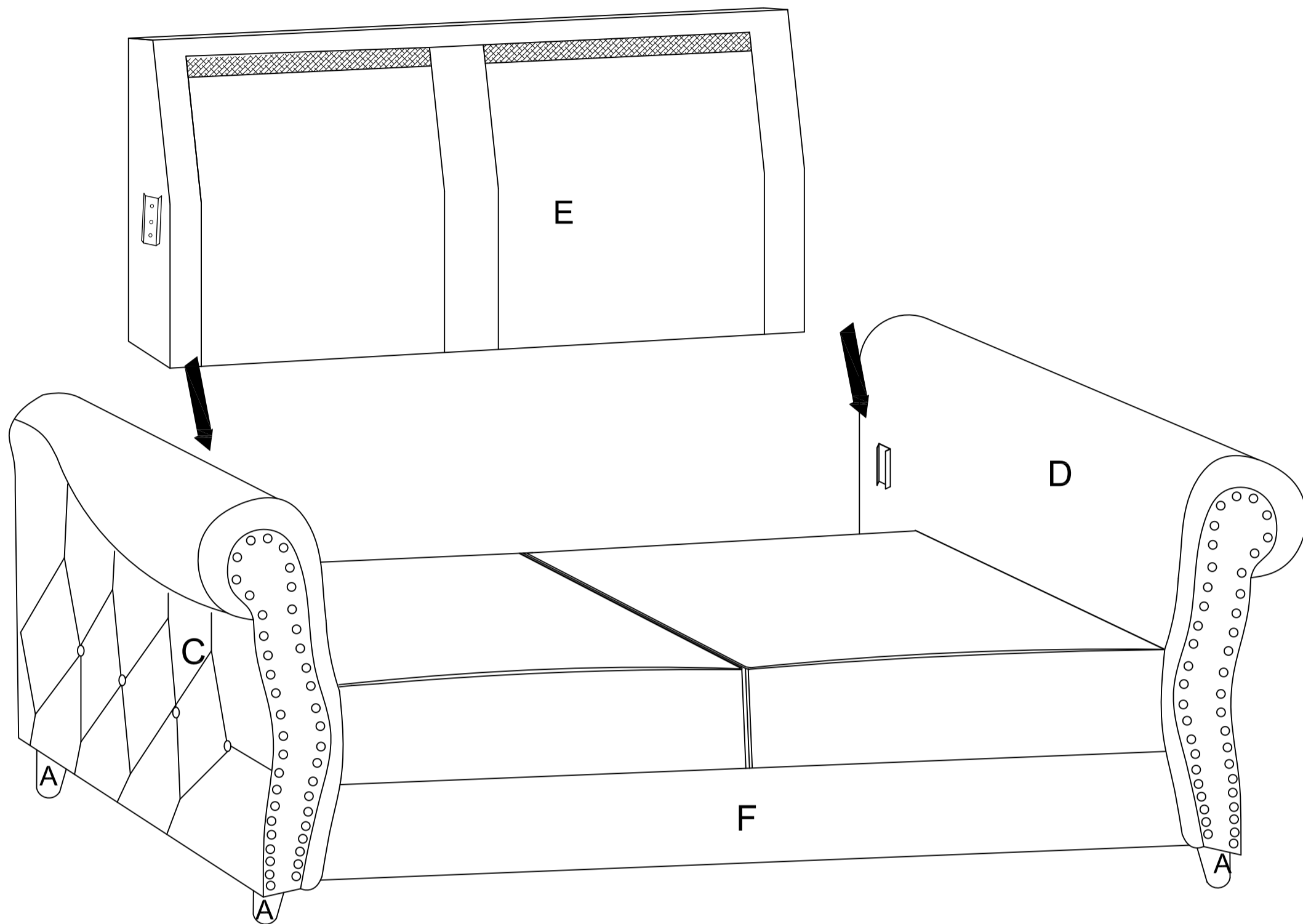


STEP 2: Assemble the sofa body (F) to the both arms (C,D) by matching the metal brackets.



ASSEMBLY INSTRUCTIONS

STEP 3: Assemble sofa backrest (E) to the both arms (C,D) matching the metal brackets.



STEP 4: Assemble the back cushions(B) to the backrest by matching velcro.

