

INSTALLATION

Product Manual

Version: 150313US-01-26A-PF



IMPORTANT INFORMATION!

please read the entire manual before starting to assemble and/or using this product. follow the manual thoroughly and keep it for further reference.



AVOID SCRATCHES!

In order to avoid scratching this furniture should be assembled on a soft layer- could be a rug.



IMPROVE EFFICIENCY !

Try to find a partner to install with you, which can speed up the installation efficiency and shorten the time.



ANTI-TOPPLE WARNING !

Overturnd furniture can cause serious or fatal crush injuries. To prevent tipping over, be sure to use the wall attachment, if not included with this product. Please purchase the wall attachment that fit your wall. If unsure, seek professional advice. Please read and follow each step of the instructions carefully.

IMPORTANT !

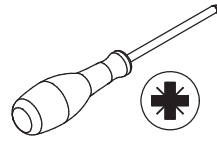
It is important that any product which is assembled using any kind of screw is re-tightened 2 weeks after assembly, and once every 3 months - in order to assure stability through-out the lifespan of the product.

For regular maintenance and cleaning of the product, for the frame, please use a rag dipped in neutral detergent to fully wipe it, and then dry it with a clean rag. For glass materials, wipe with a rag dampened with water glass cleaner, and then dry with a dry rag.

Do not use an electric screwdriver, and do not use too much force when installing, because the board is easy to break.

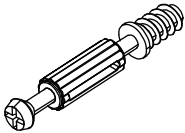


Please prepare the following tools



When installing, please carefully confirm whether each screw corresponds to the manual, accessories with similar shapes can be distinguished by size

A x 48



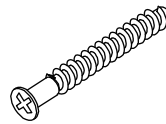
M5 x 42 mm

B x 48



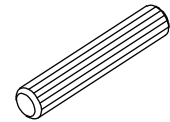
Ø 15 x 10 mm

C x 30



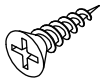
M5 x 40 mm

D x 12



Ø 6 x 40 mm

E x 48



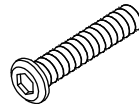
M3.5 x 12 mm

F x 16



M6 x 10 mm

G x 8



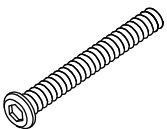
M6 x 30 mm

H x 6



M6 mm

I x 15



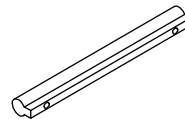
M6 x 50 mm

J x 15



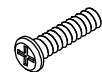
Ø 15 x 6 x 2 mm

K x 5



220-96 mm

L x 10



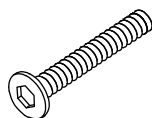
M4 x 15 mm

M x 2



M8 x 15 mm

N x 8



M8 x 40 mm

O x 2

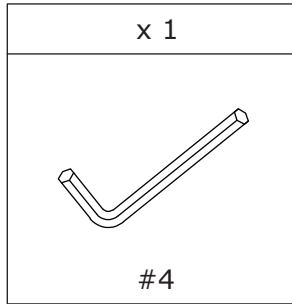
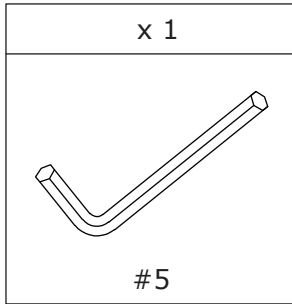
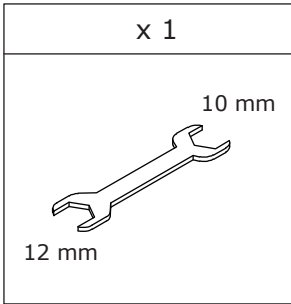
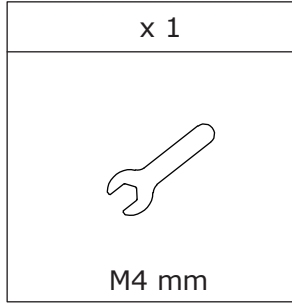
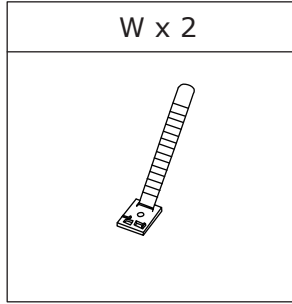
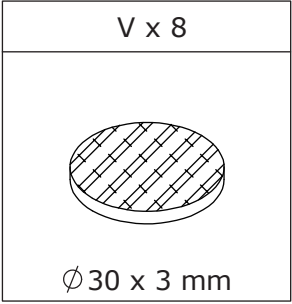
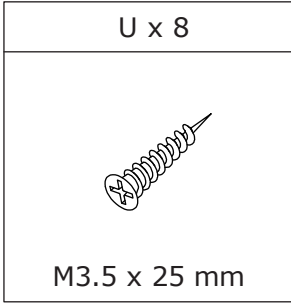
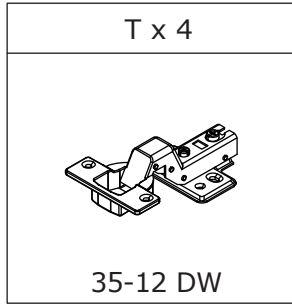
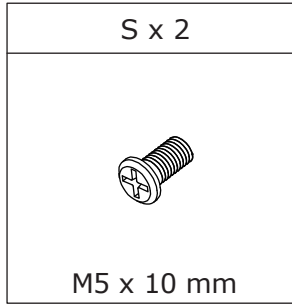
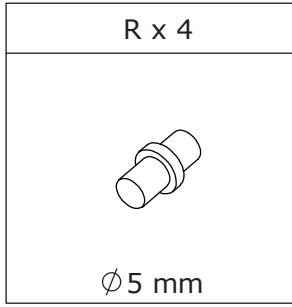
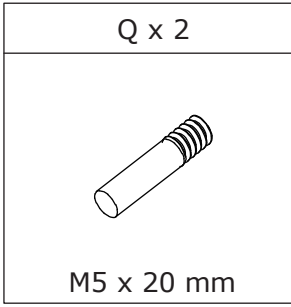


M4 x 45 mm

P x 2



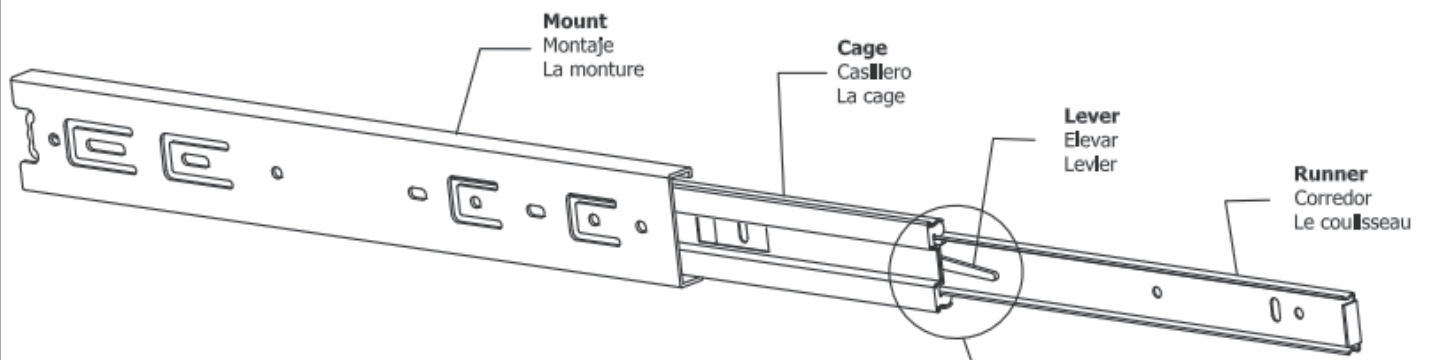
M4 mm



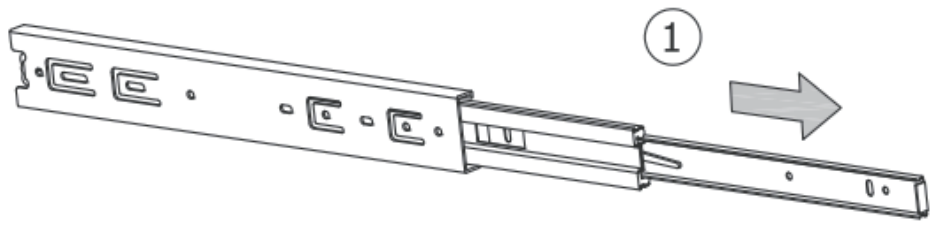
**Slides Must Be Separated Before Assembly.
After Separated, Set Aside Until Needed for Assembly.**

Las diapositivas deben separarse antes del montaje.
Después de la separación, déjelo a un lado hasta que sea necesario.

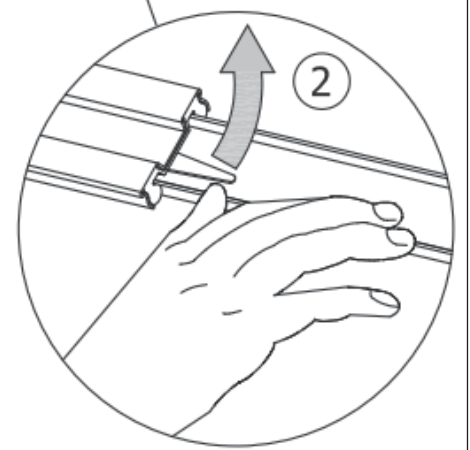
Les glissières doivent être séparées avant l'assemblage.
Après la séparation, mettez de côté jusqu'au moment de l'assemblage.



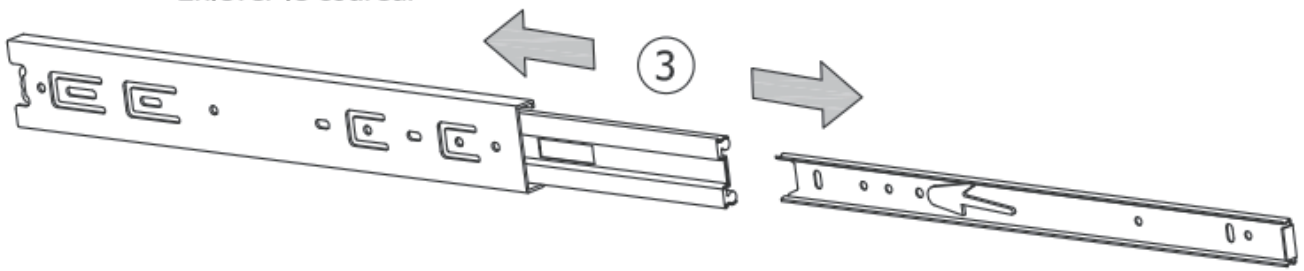
STEP 1: Extend Slide
Extender la diapositiva
Extendre la diapositive

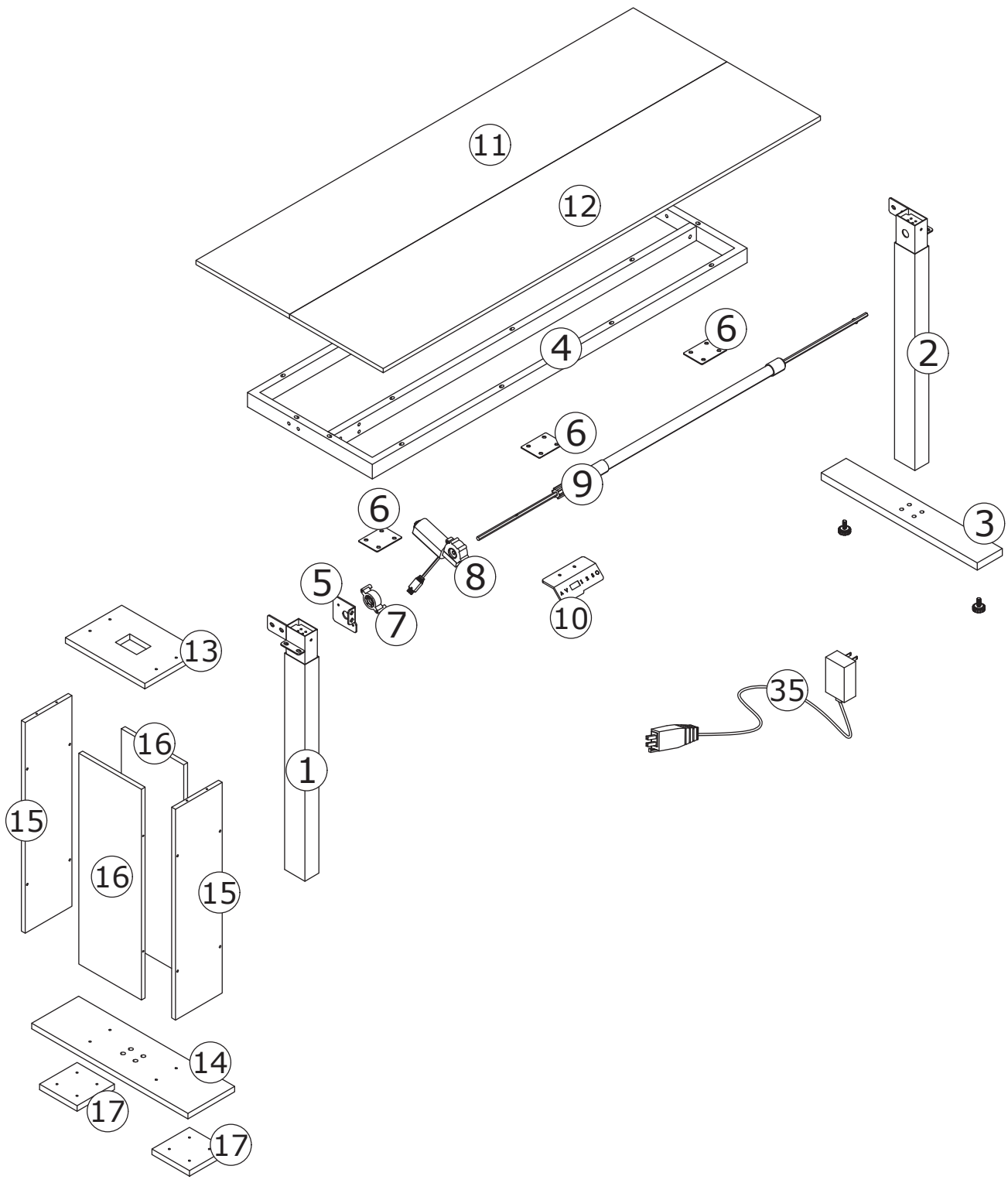


STEP 2: Push Lever UP
Empujar hacia arriba
Levier le levier



STEP 3: Remove Runner
Quitar el corredor
Enlever le coureur





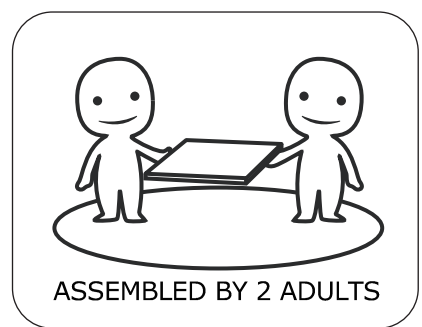
⚠ WARNING

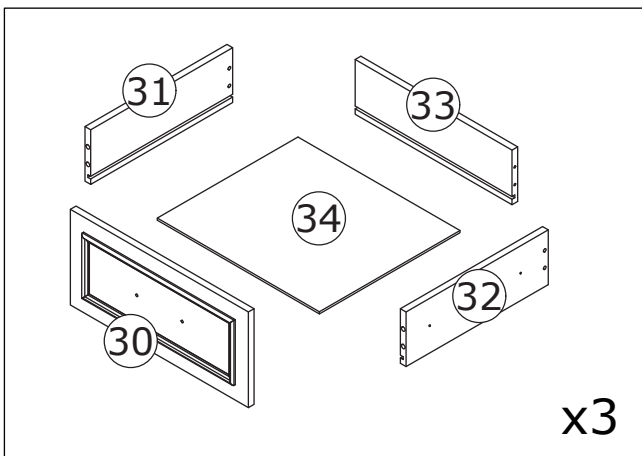
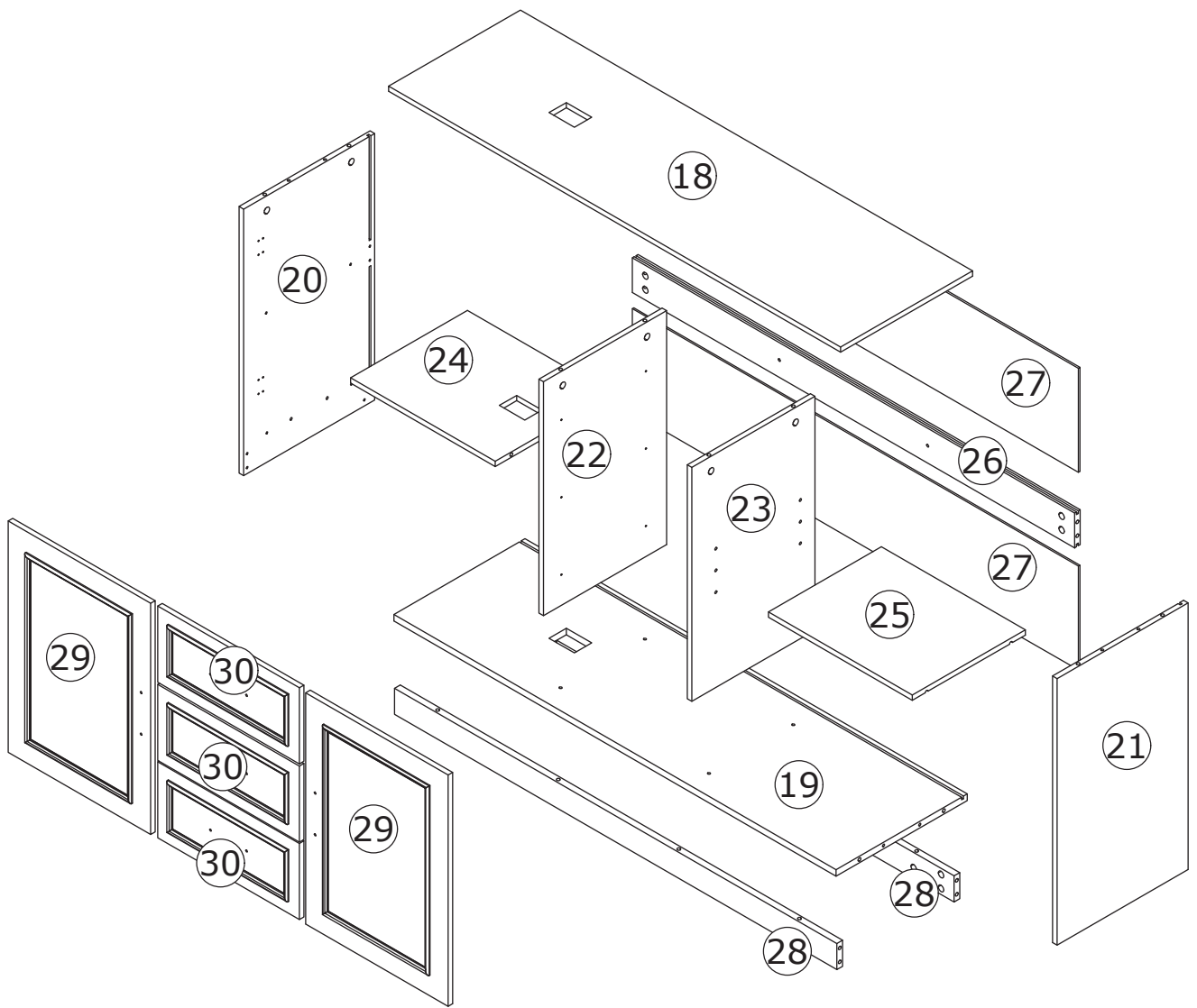


Children have died from furniture tipover. To reduce the risk of furniture tipover:

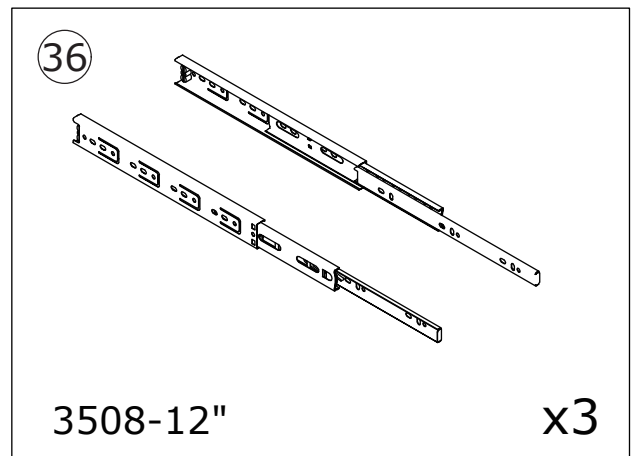
- ALWAYS install Anti-tip device provided.
- NEVER put a TV on this product.
- NEVER allow children to stand, climb or hang on drawers, doors, or shelves.
- NEVER open more than one drawer at a time.
- Place heaviest items in the lowest drawers.

*This is a permanent label.
Do not remove!*





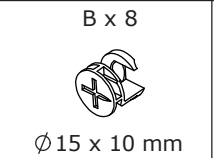
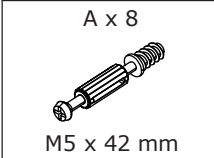
x3



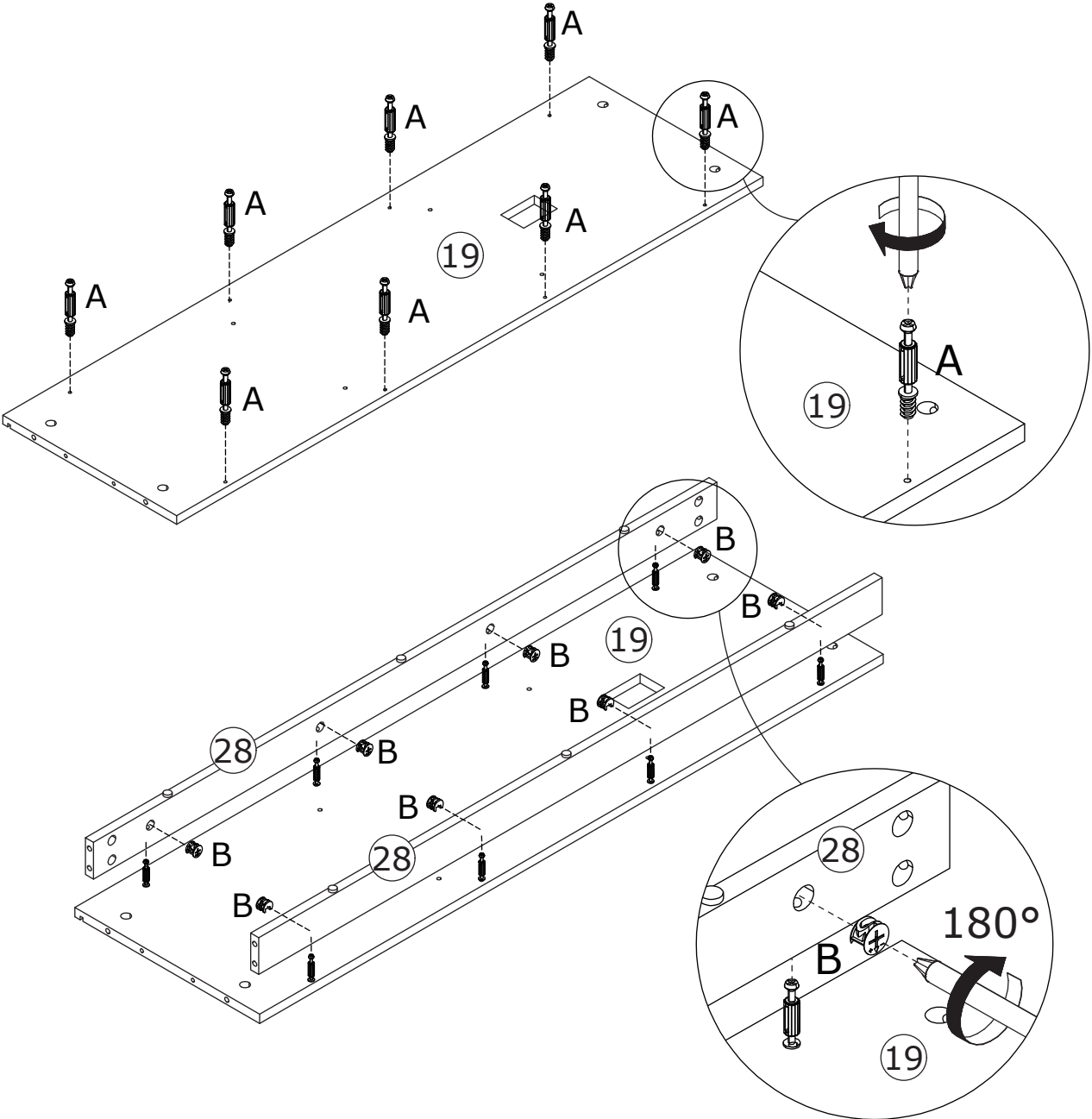
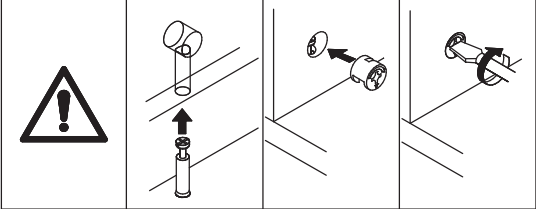
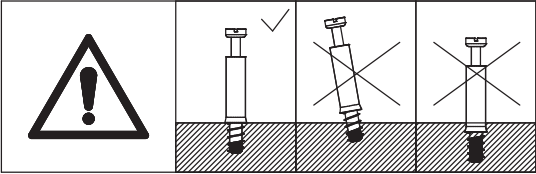
3508-12"

x3

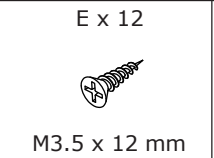
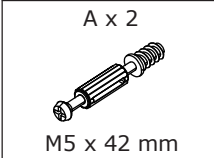
1



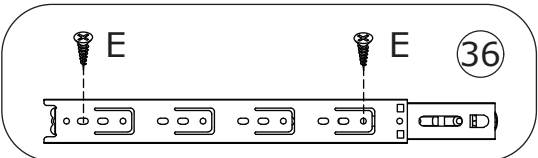
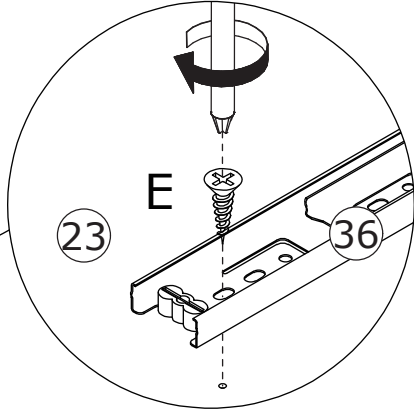
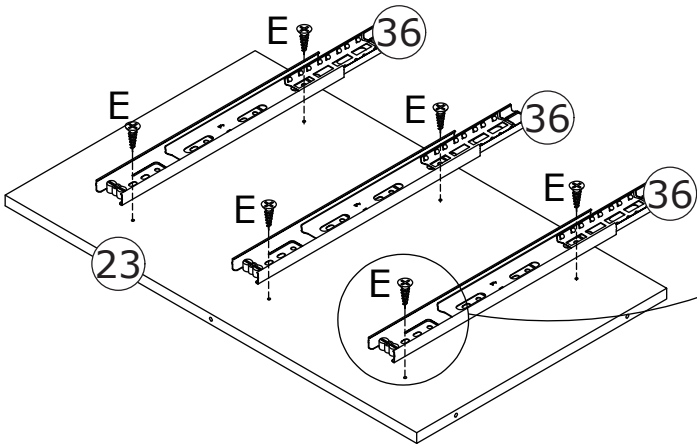
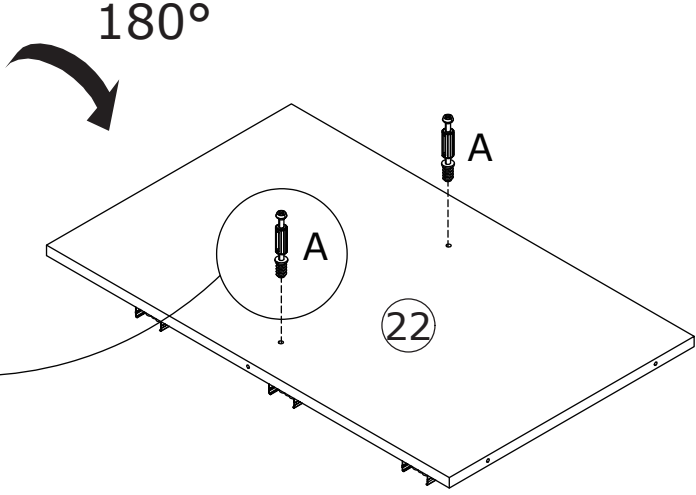
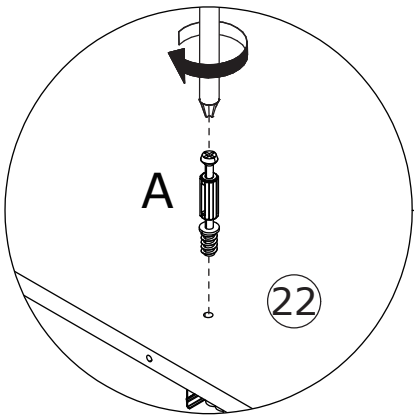
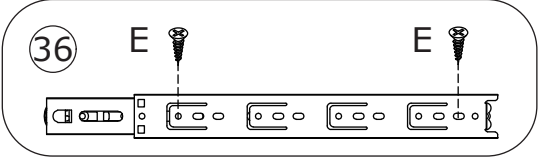
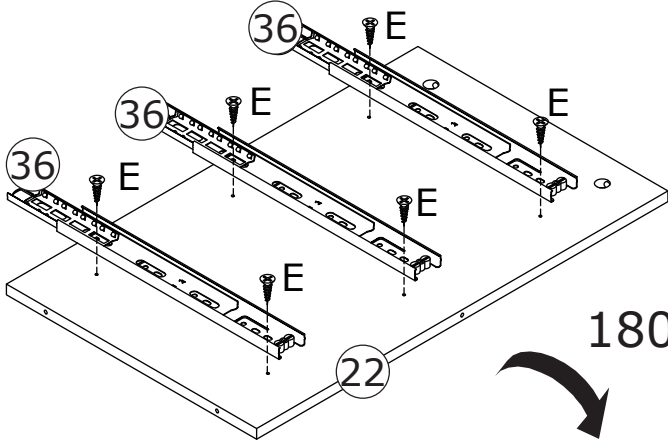
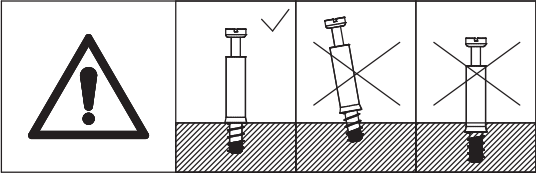
Screw eccentric rod A to part 19, connect part 19 to part 28, then tighten by rotating cam locks B clockwise.



2



Secure slide rail 36 to part 22 and 23 using screw E.
Flip part 22 to back, screw eccentric rod A into.

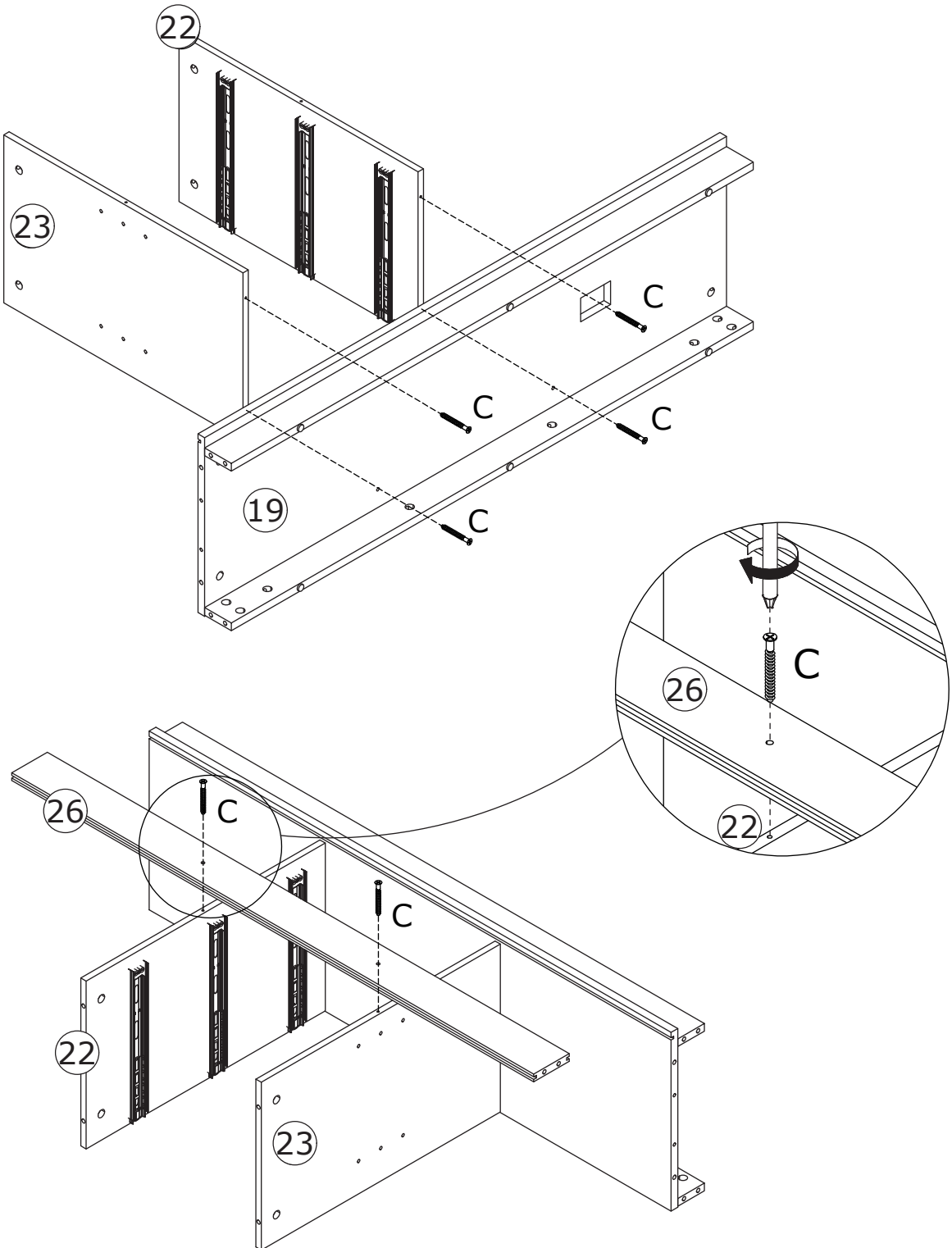


3

C x 6
M5 x 40 mm

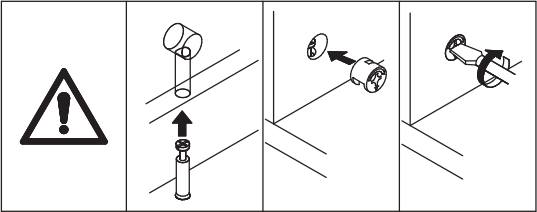


Secure part 19 to parts 22 and 23 using screws C.
Secure part 26 to parts 22 and 23 using screws C.

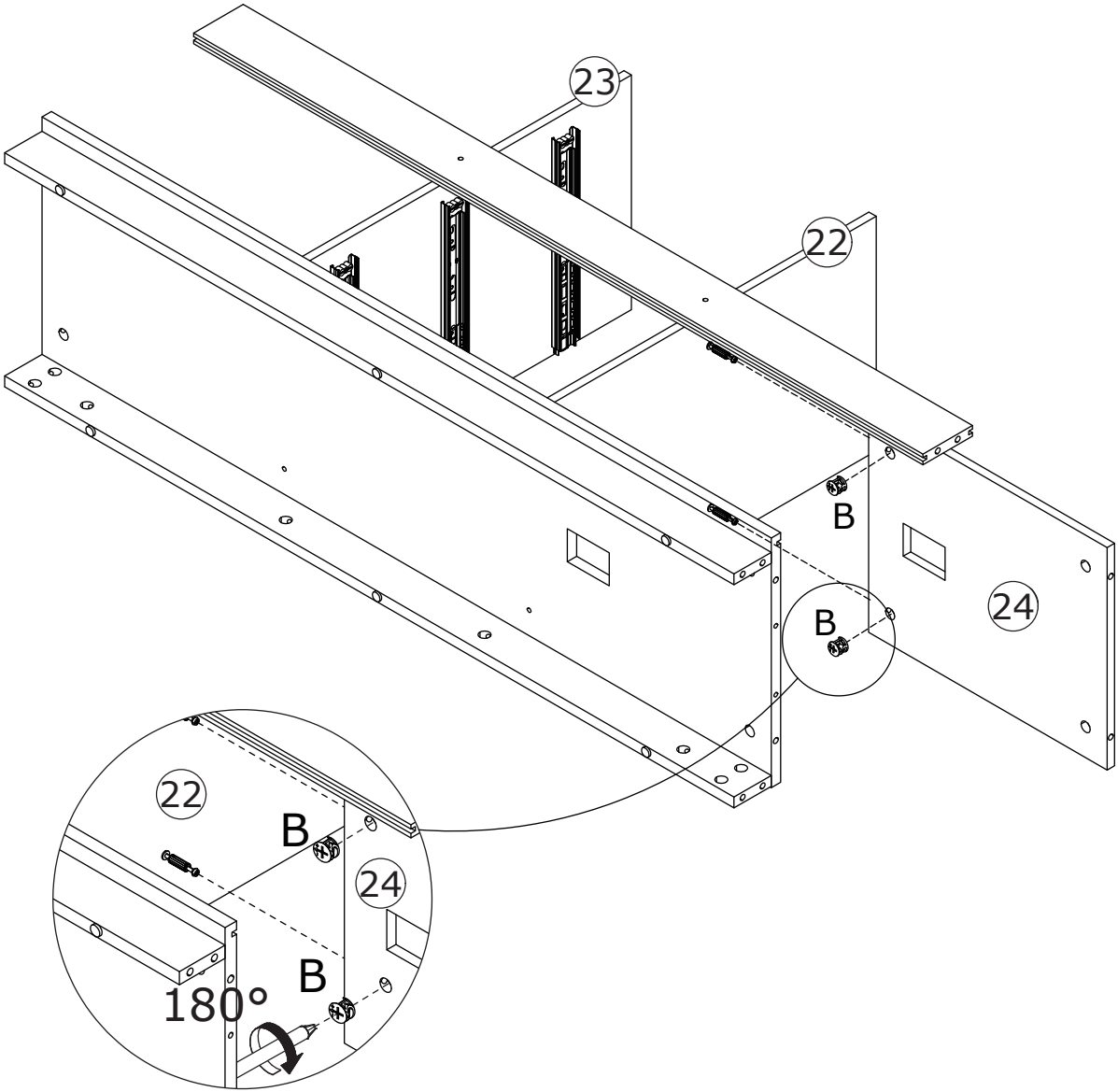


4

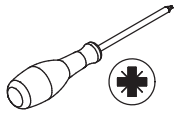
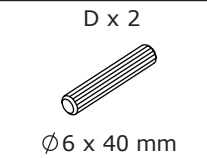
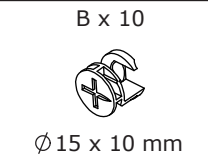
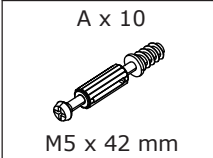
B x 2
Ø15 x 10 mm



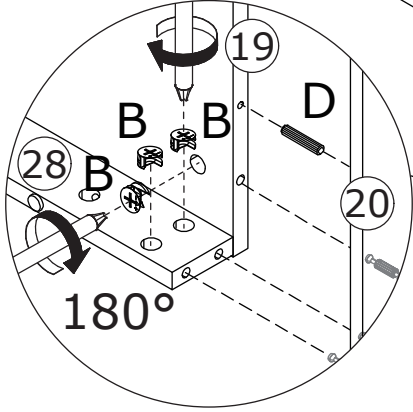
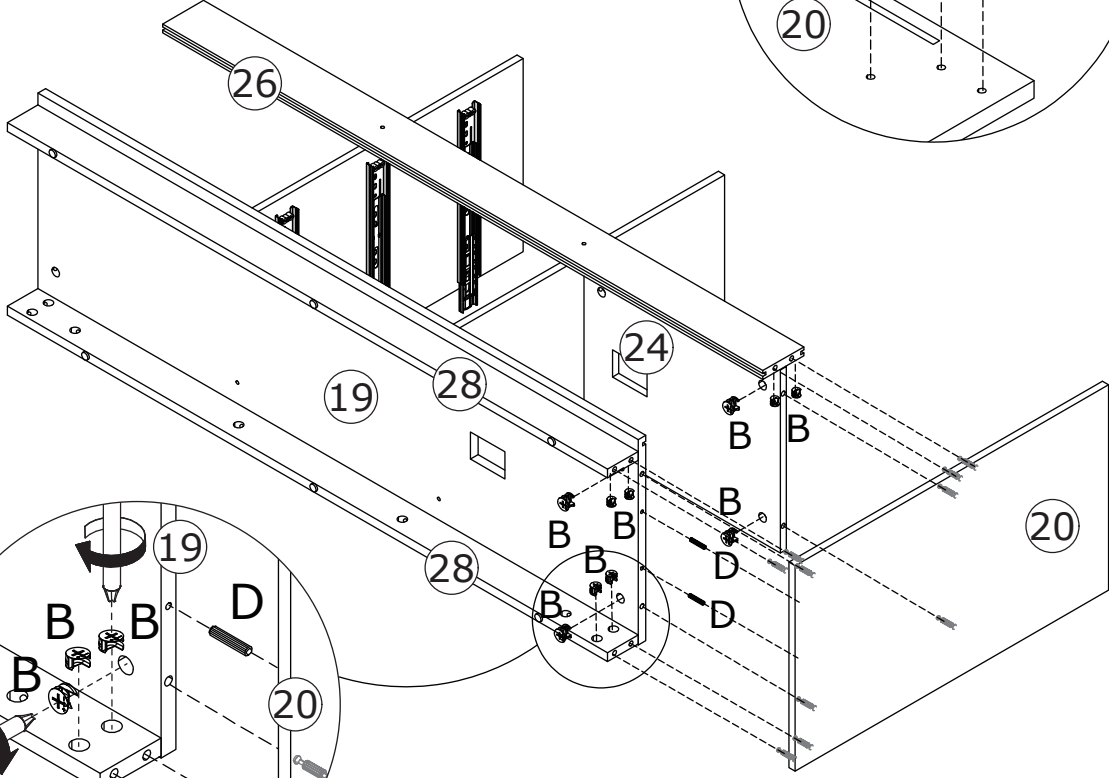
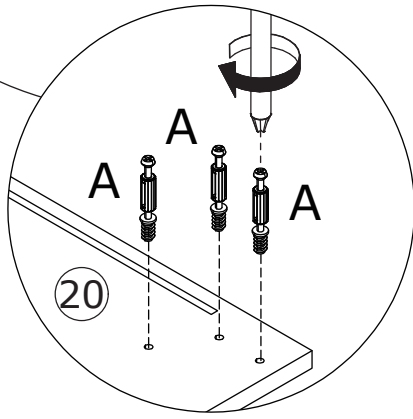
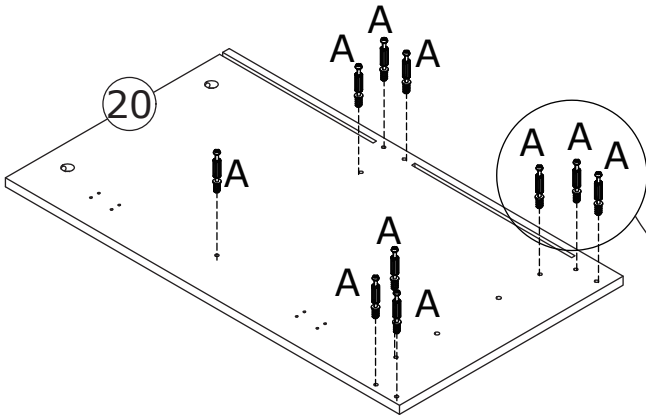
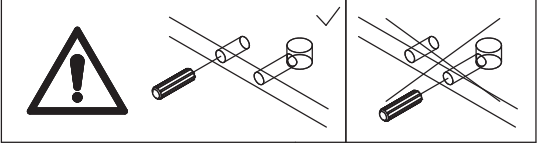
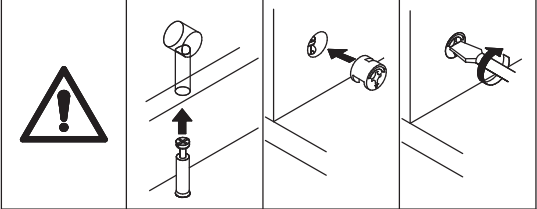
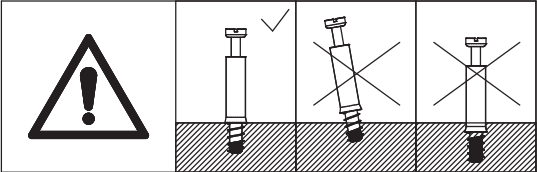
Connect part 24 to part 22, then tighten by rotating cam locks B clockwise.



5



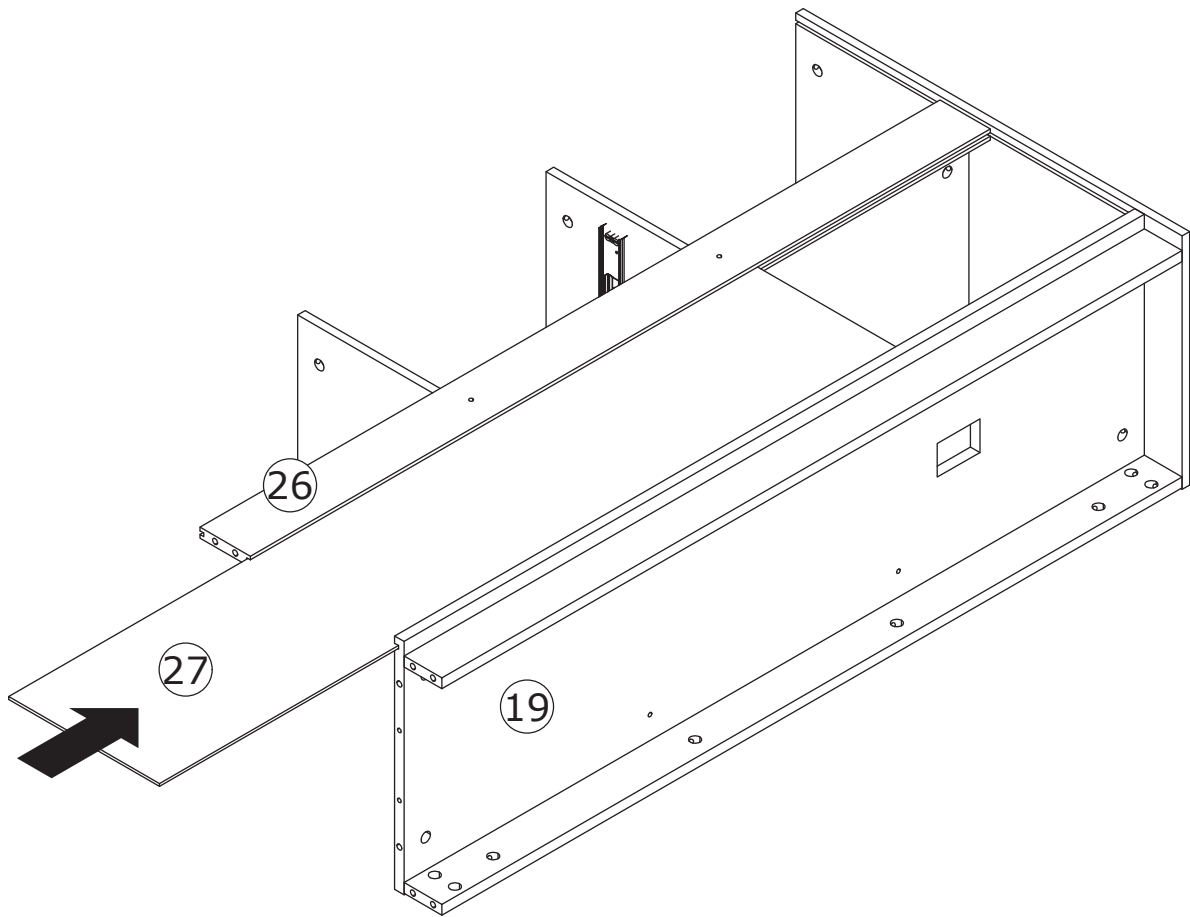
Screw eccentric rod A to part 20.
Connect part 20 to parts 28, 19, 26, and
24, then tighten by rotating cam locks B
clockwise.



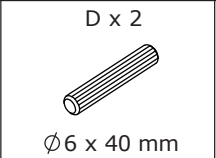
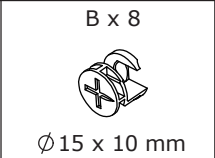
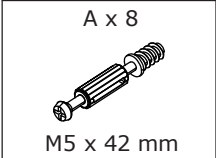
6



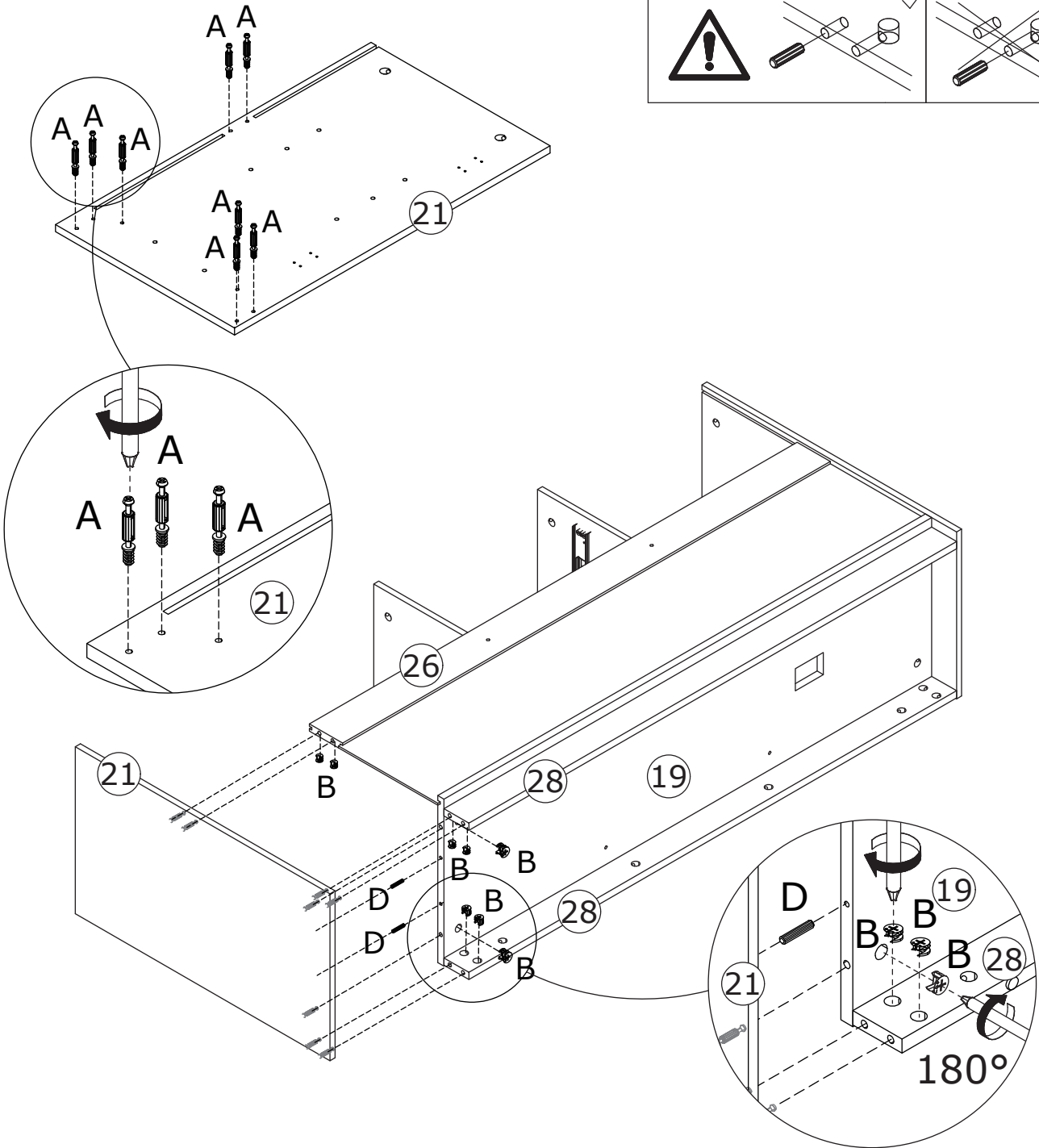
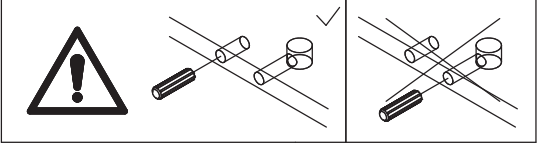
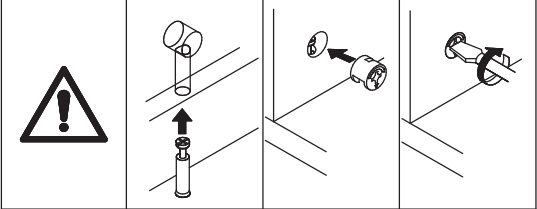
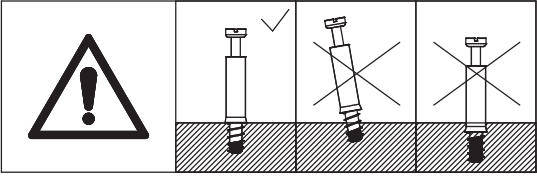
Insert part 27 along the available grooves.



7

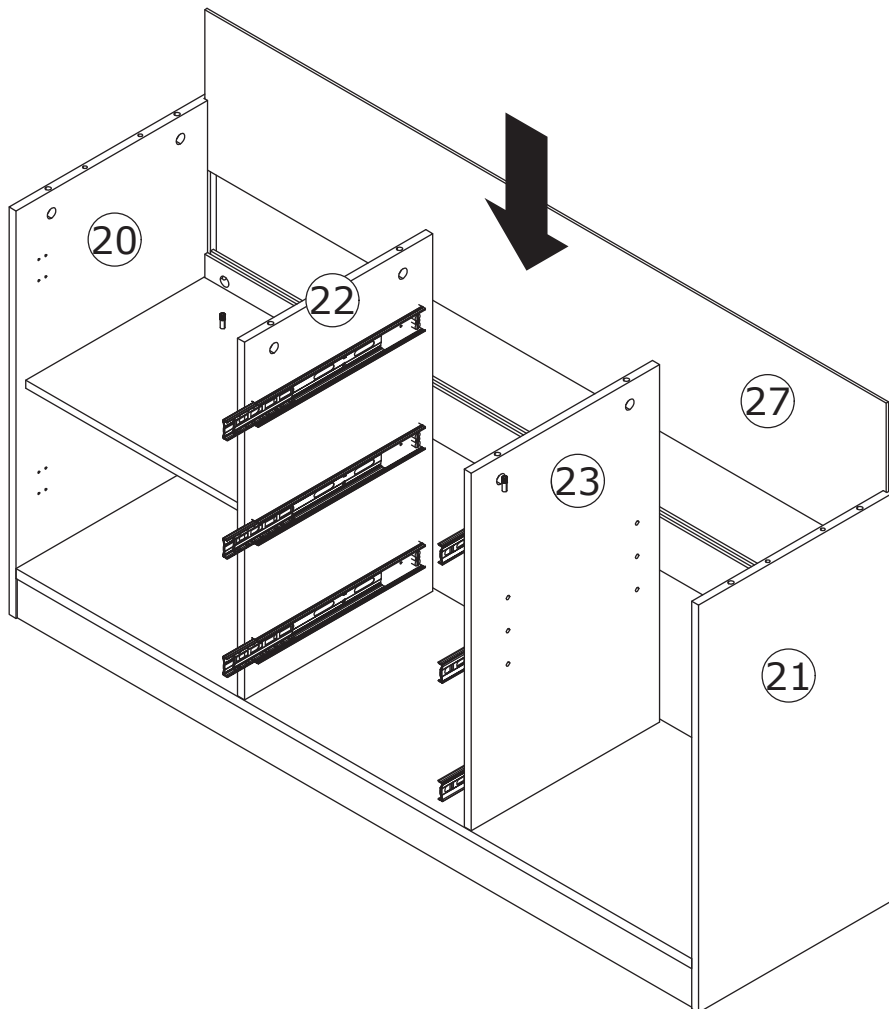


Screw eccentric rod A to part 21.
Connect part 21 to parts 28, 19, and 26,
then tighten by rotating cam locks B
clockwise.

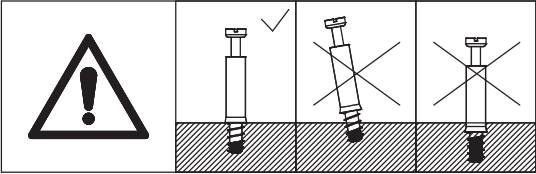
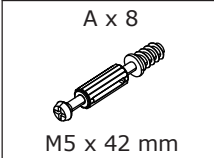


8

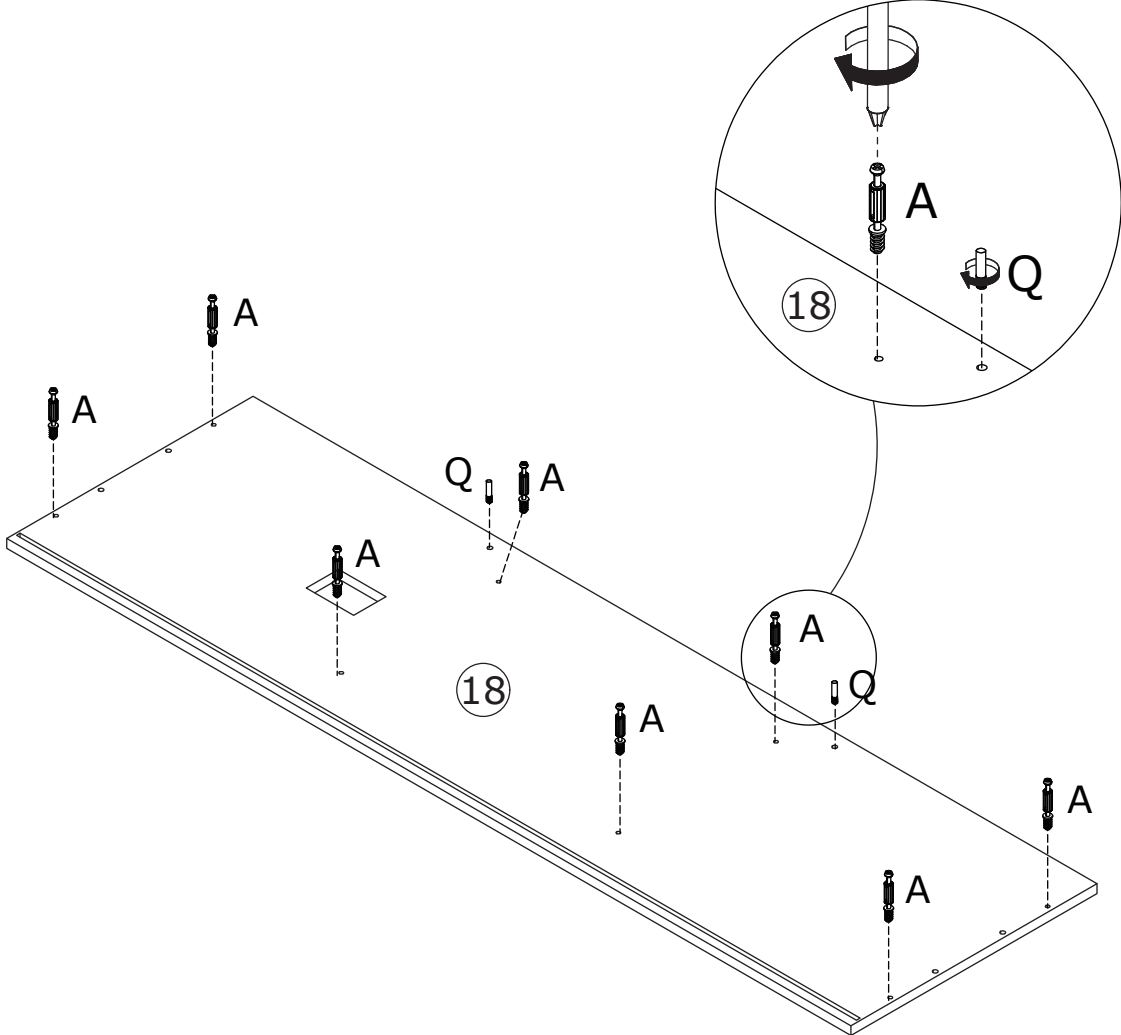
Insert part 27 along the available grooves.



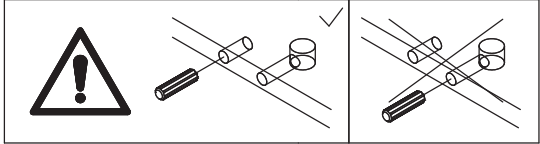
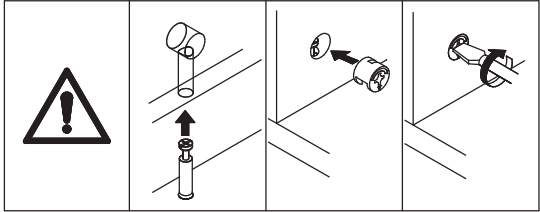
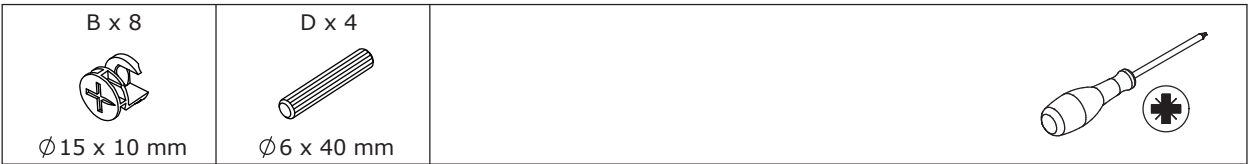
9



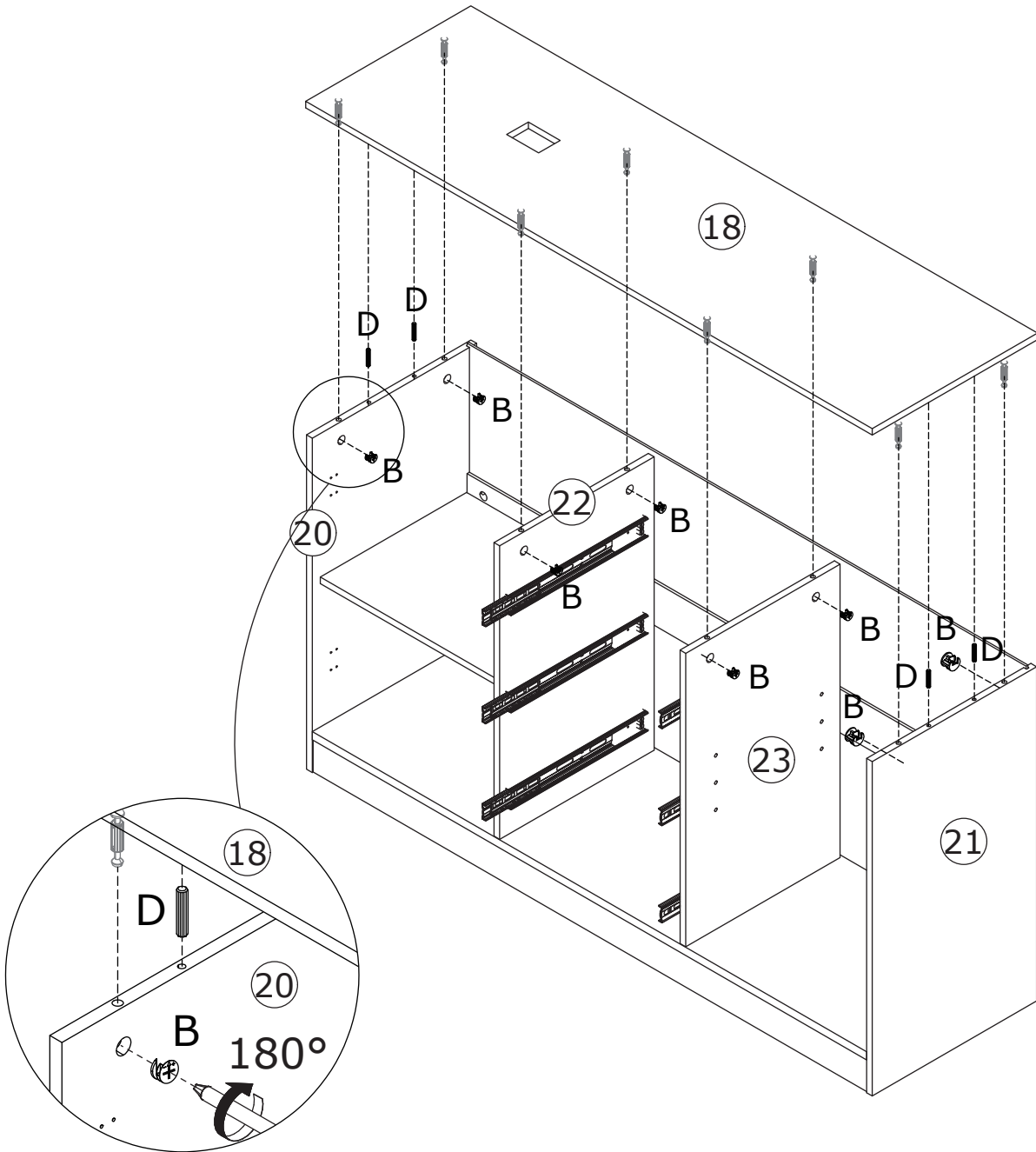
Screw eccentric rod A and bolt Q to part 18.



10



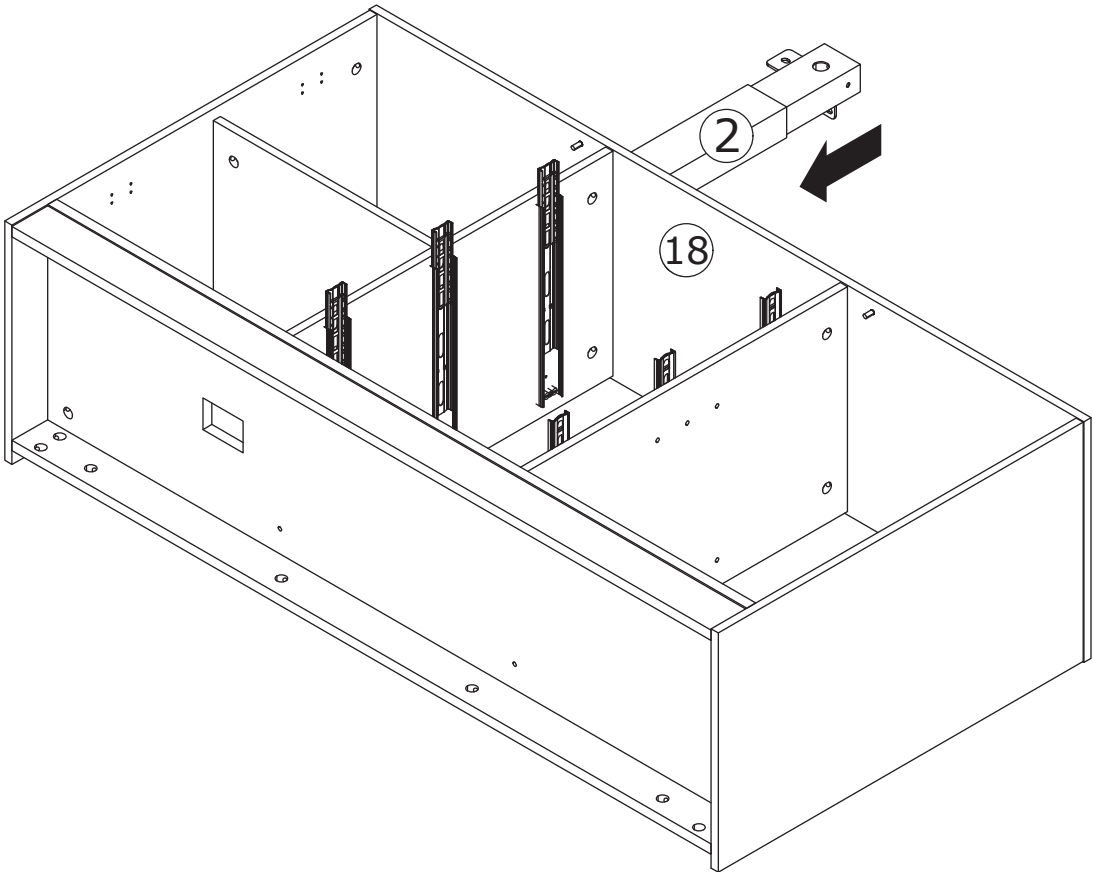
Connect part 18 to parts 20, 21, 22, and 23 using wooden dowel D, then tighten by rotating cam locks B clockwise.



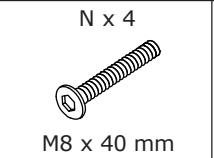
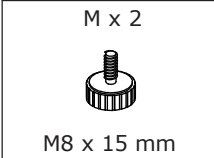
11



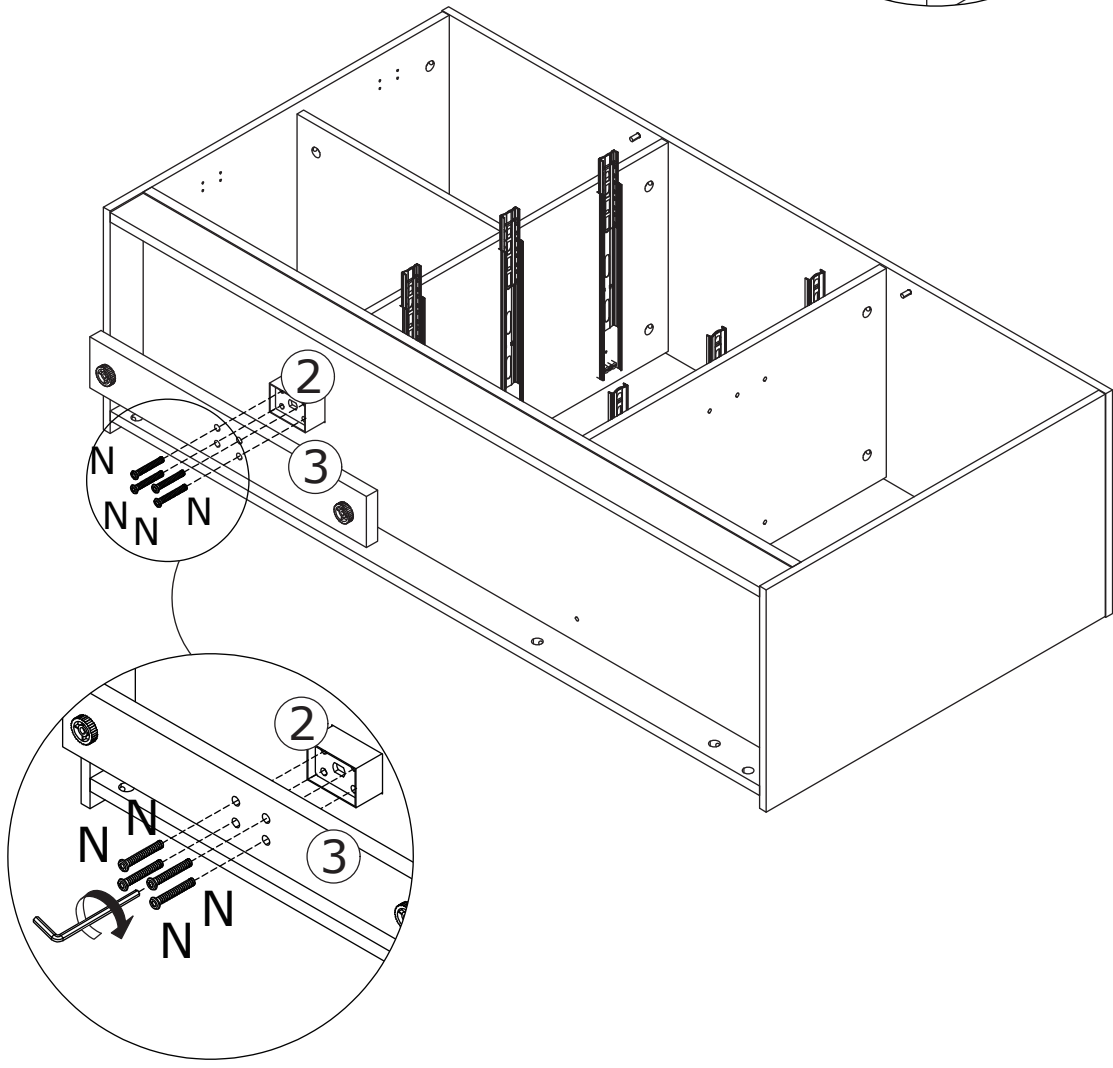
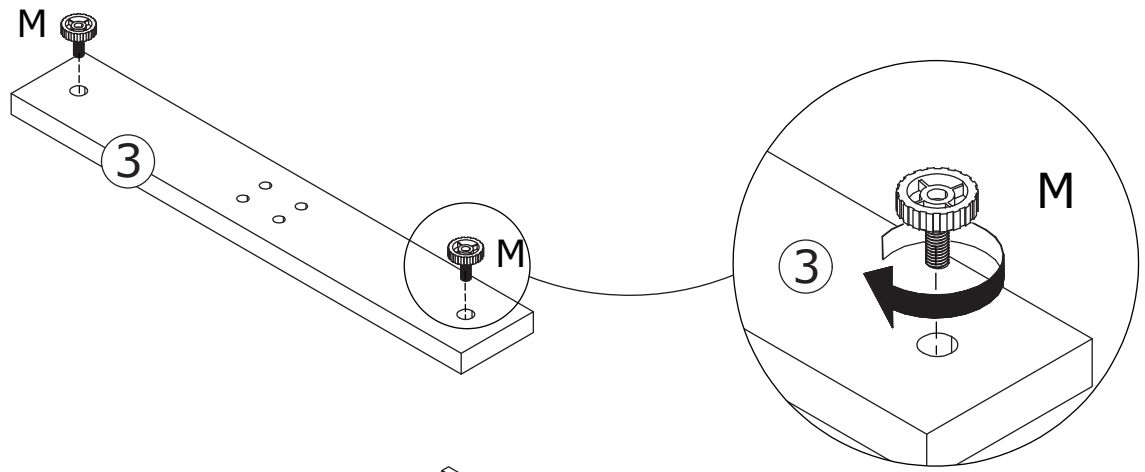
Insert part 2 into the holes.



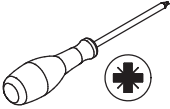
12



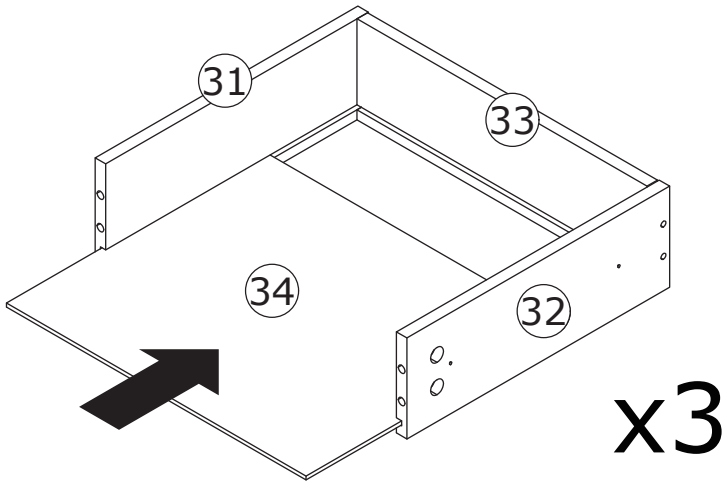
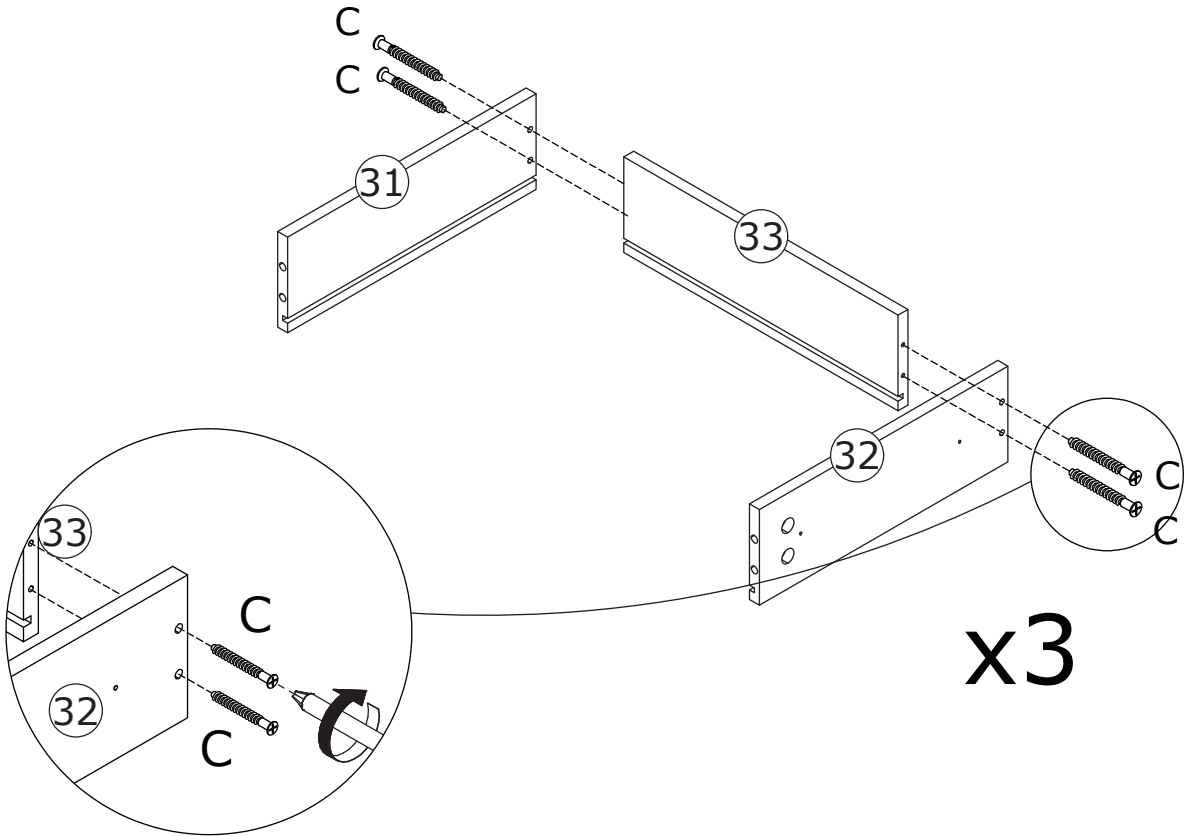
Screw part M to part 3, and secure part 3 to part 2 using screws N.



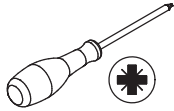
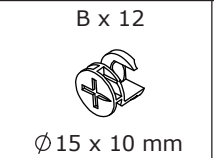
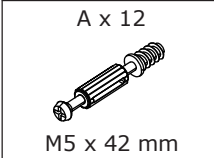
13



Secure part 33 to parts 31 and 32 using screws C, then insert part 34 along the grooves.

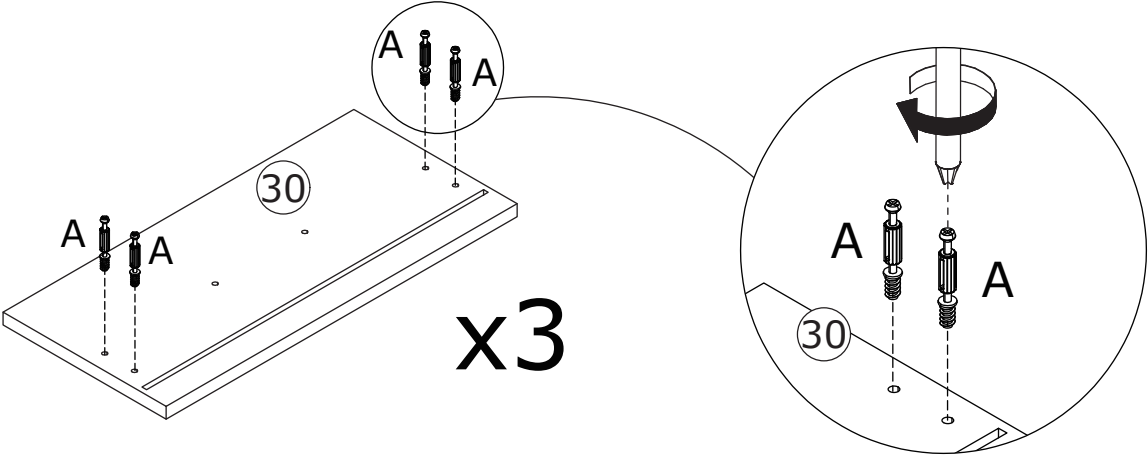
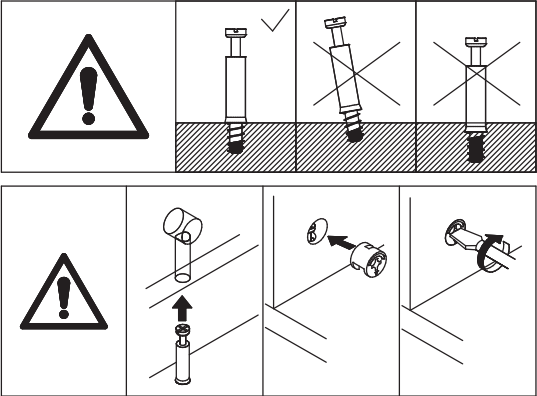


14

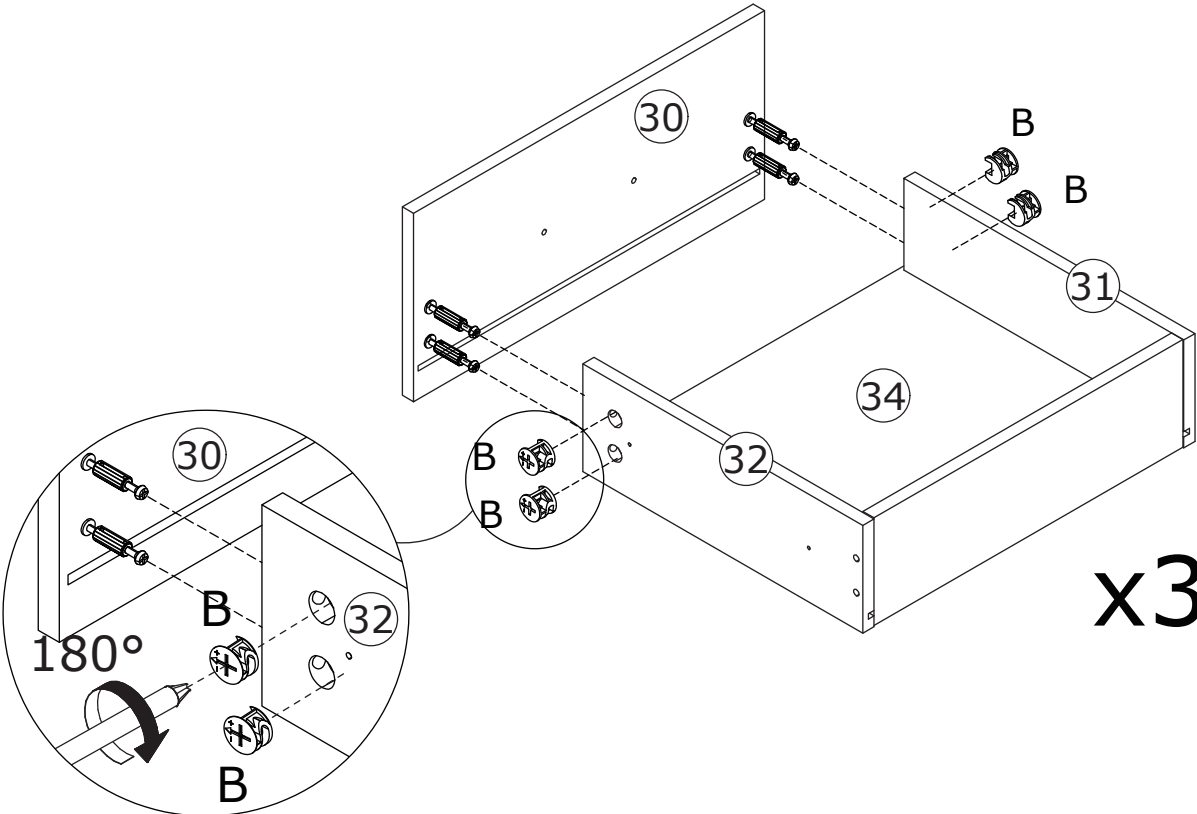


Screw eccentric rod A to part 30.

Connect part 30 to parts 32 and 31, then tighten by rotating cam locks B clockwise.


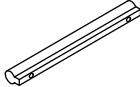

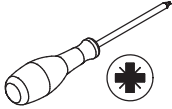


x3

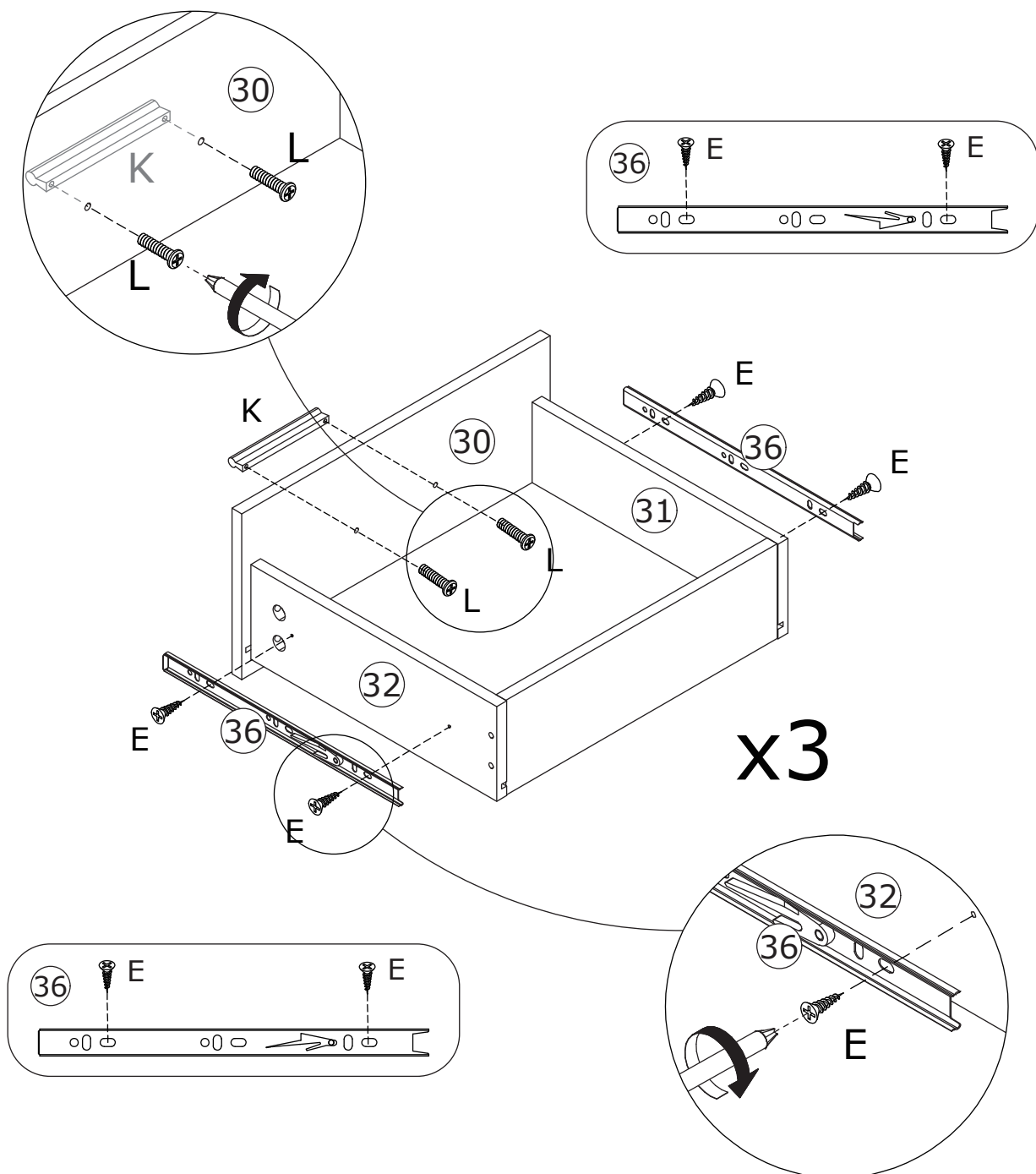


x3

15

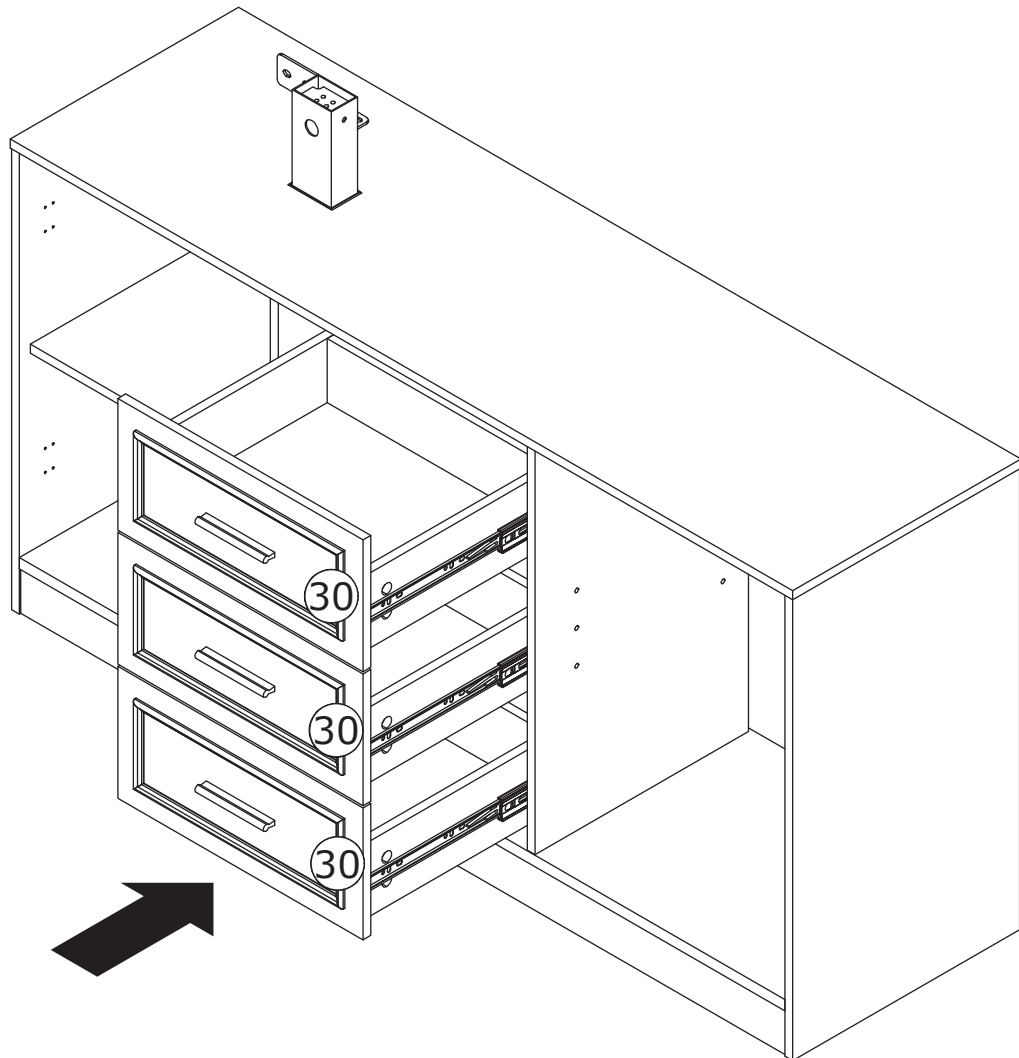
E x 12  M3.5 x 12 mm	K x 3  220-96 mm	L x 6  M4 x 15 mm	
---	---	--	---

Secure slide rail 36 to parts 31 and 32 using screws E.
Secure handle K to part 30 using screws L.



16

Insert the drawers into the cabinet body.



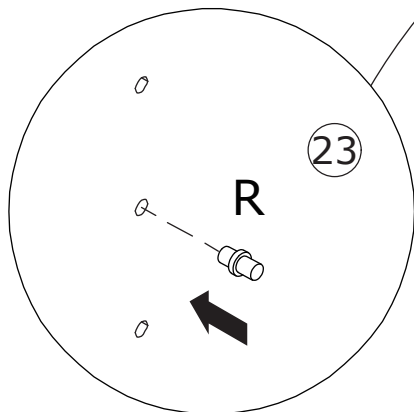
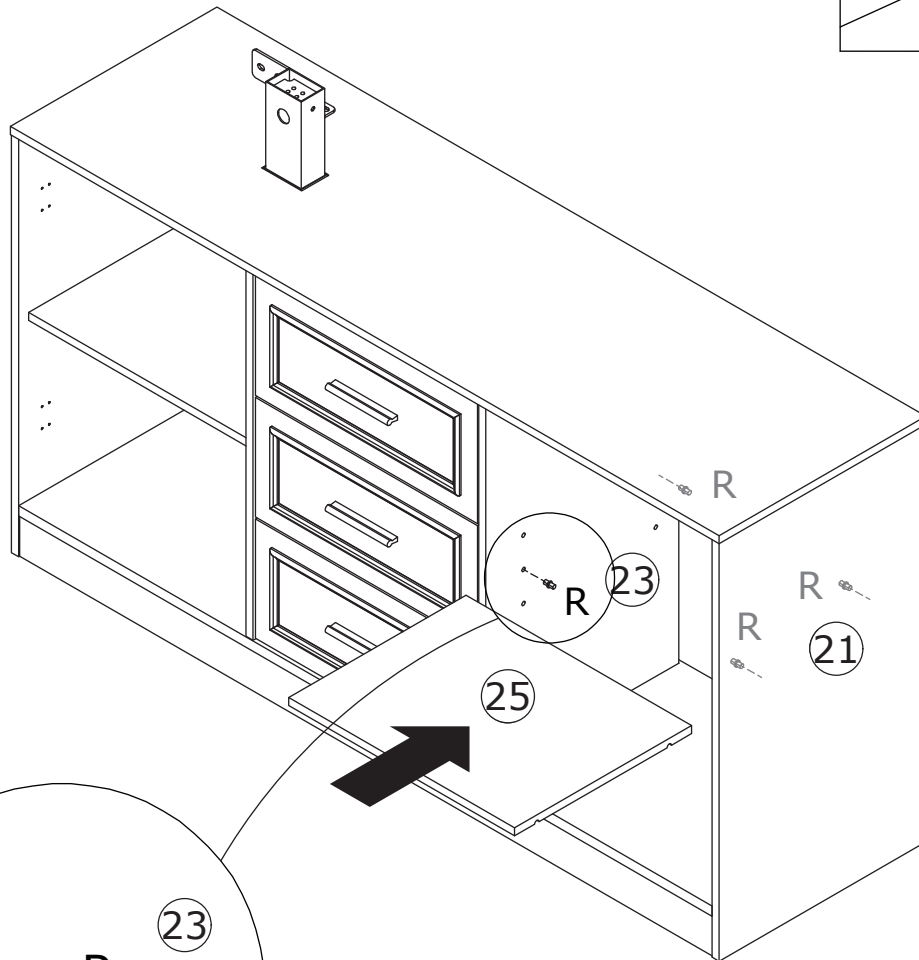
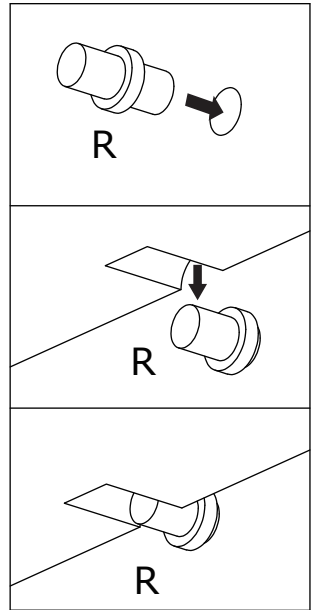
17

R x 4


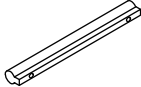

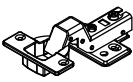
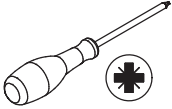


Ø5 mm

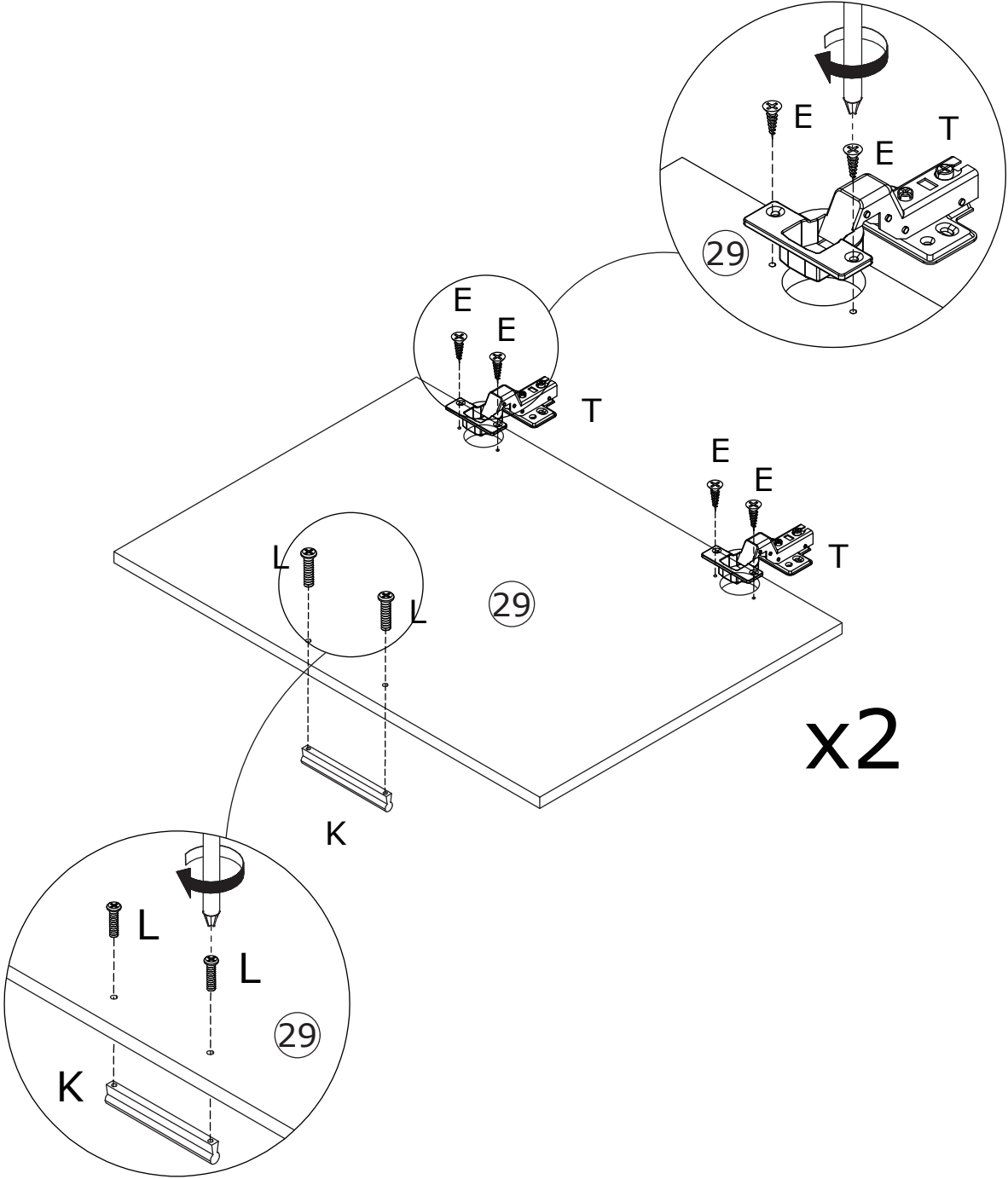
Insert pins R into parts 21 and 23,
then place part 25 on pins.



18

<p>E x 8  M3.5 x 12 mm</p>	<p>K x 2  220-96 mm</p>	<p>L x 4  M4 x 15 mm</p>	<p>T x 4  35-12 DW</p>	
---	--	---	--	---

Secure hinges T to part 29 using screws E.
Secure handle K to part 29 using screws L.

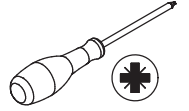


19

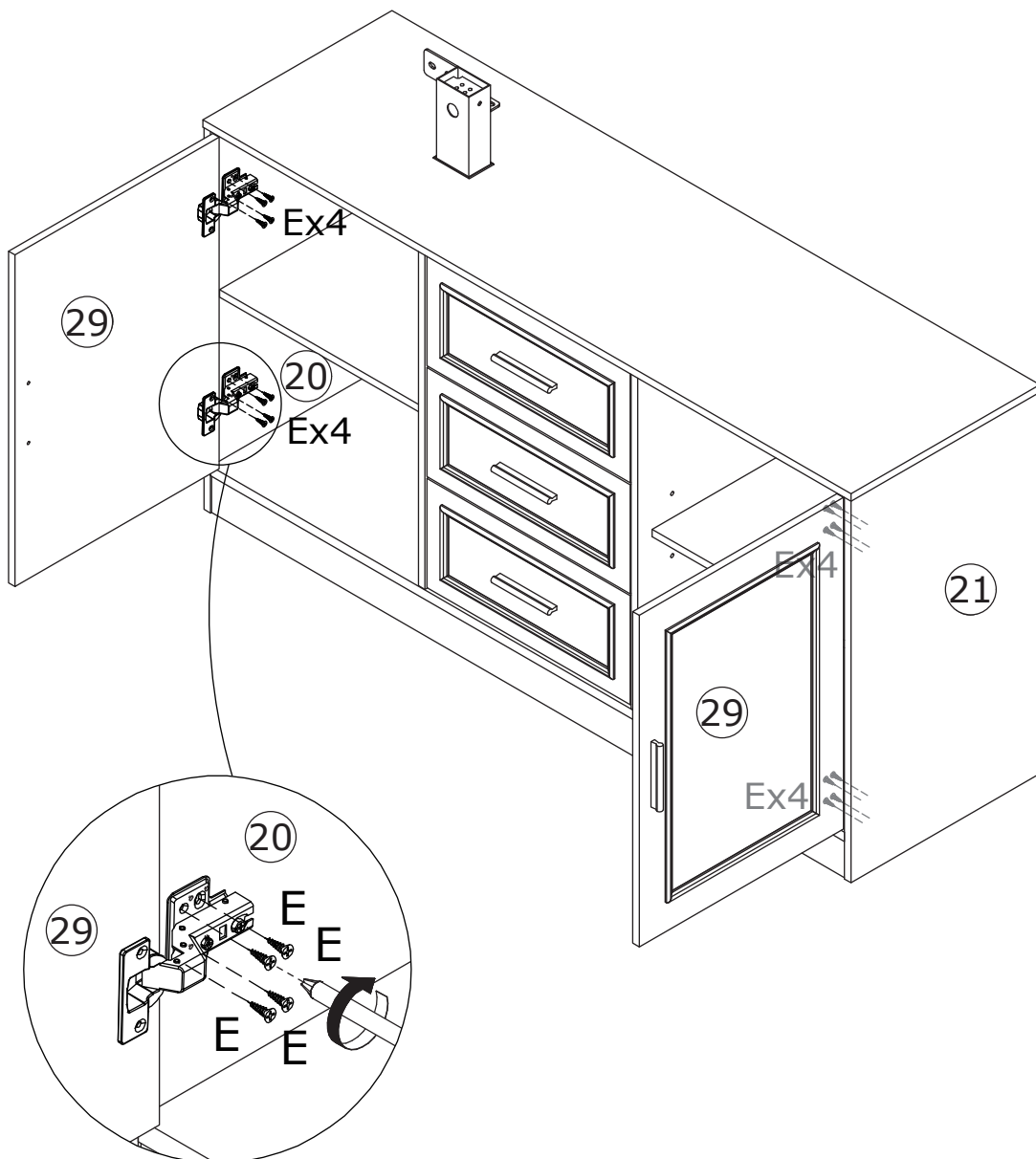
E x 16

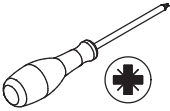


M3.5 x 12 mm



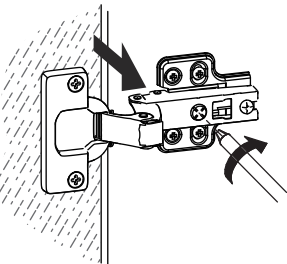
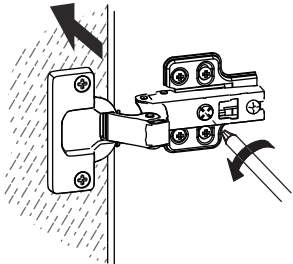
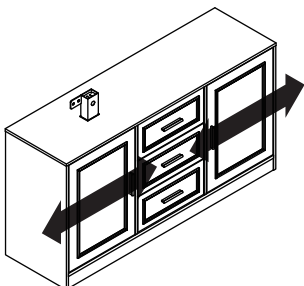
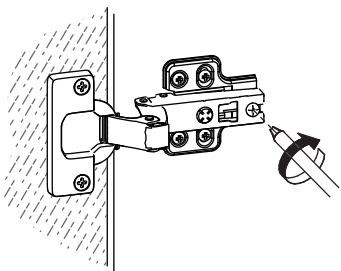
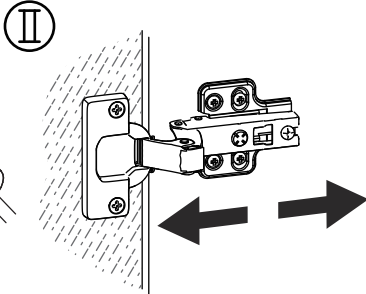
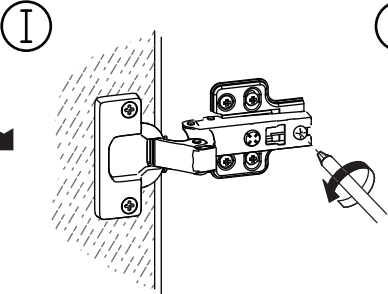
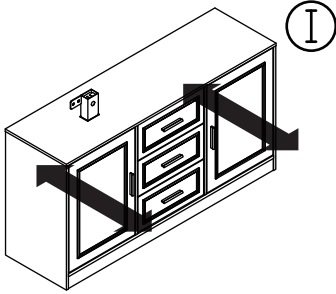
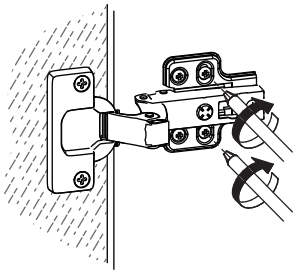
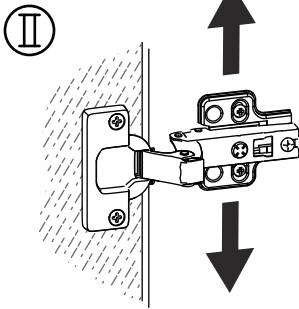
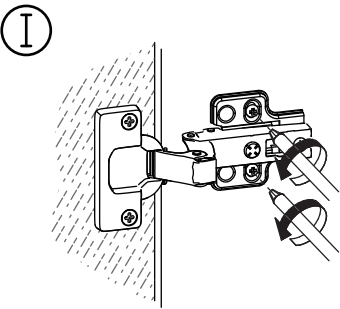
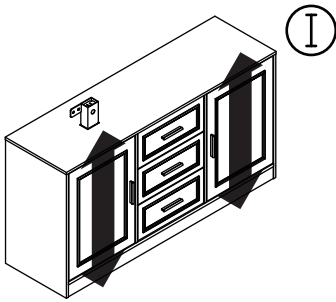
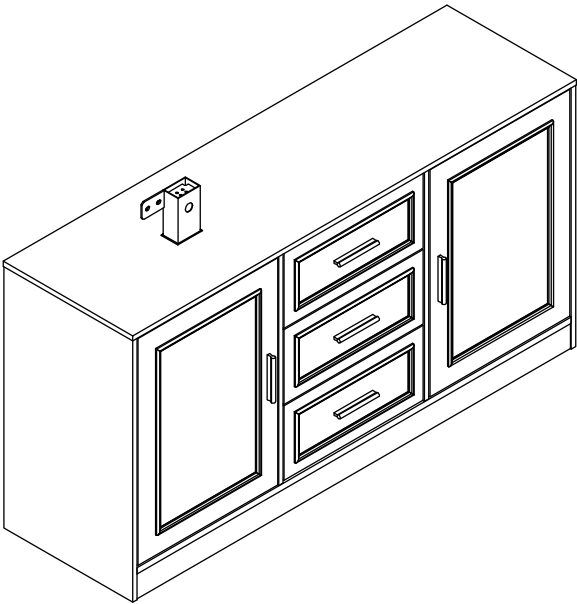
Connect part 29 to parts 20 and 21 by securing hinges using screws E.





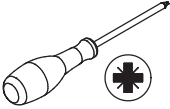
≡Z hY Xccf dUbY g UfY bchU][bYXž
 d YUgY UXī gh hY gWYk g cb hLY
 \]b[Yg UWWžfX]b[hc hLY]i ghfUh]cb"

Cf mci WUb gYUfW h g]b _ hc j]Yk
 hLY hYUW]b[j]XYc"
 \ hhdg. ##mci hi "VY#b\$@V' * GcC8A "

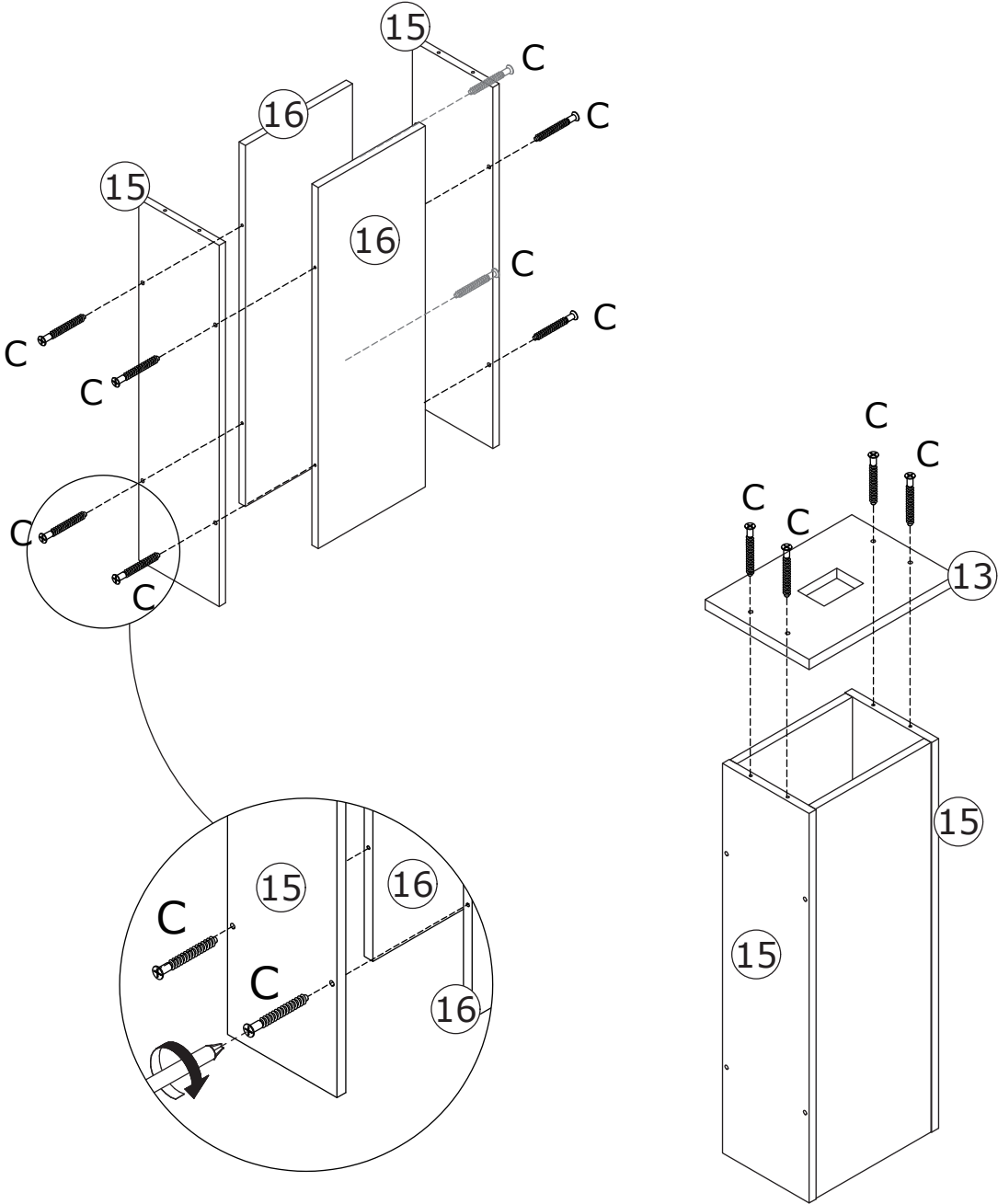


21

C x 8
M5 x 40 mm

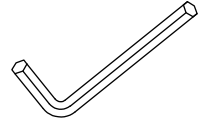


Connect part 15 to part 16 using screws C.
Connect part 13 to parts 15 and 16 using screws C.

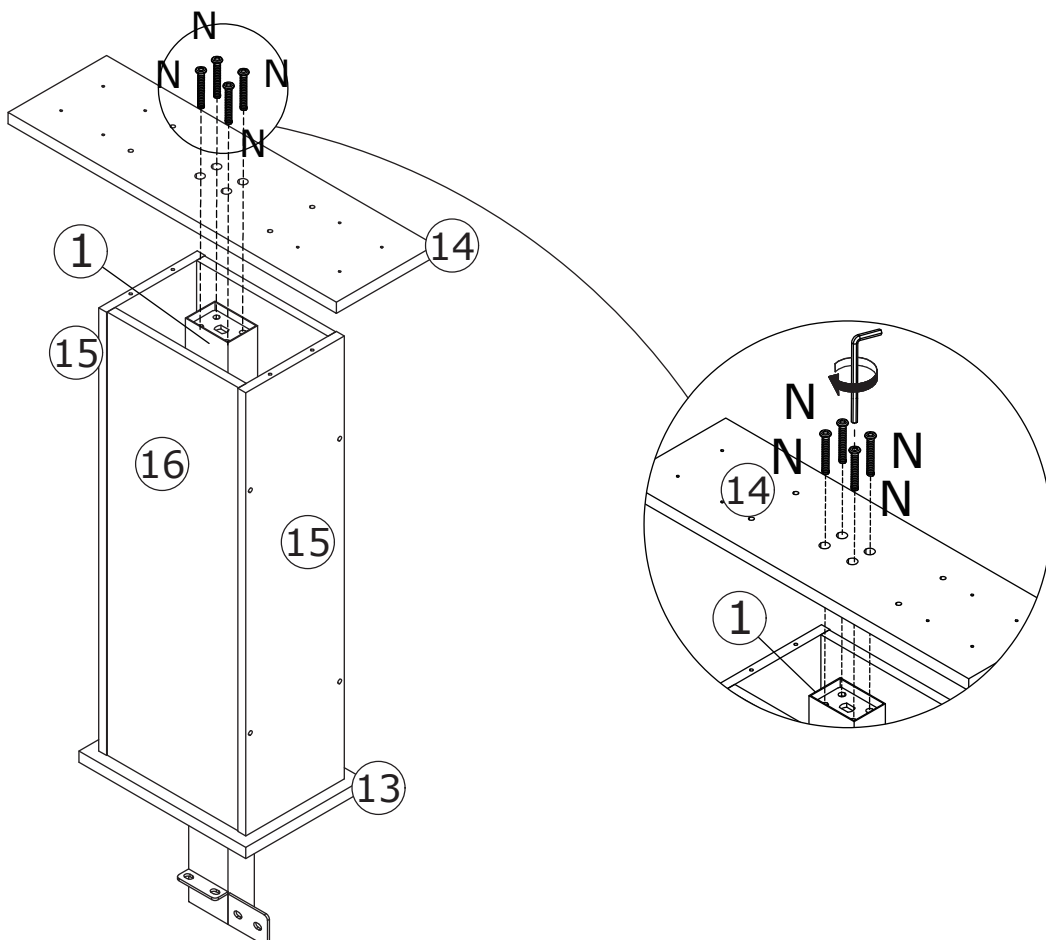
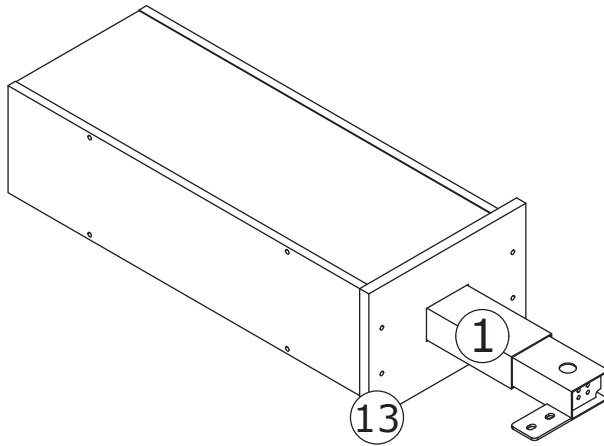


22

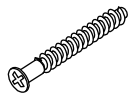


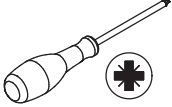
N x 4
M8 x 40 mm



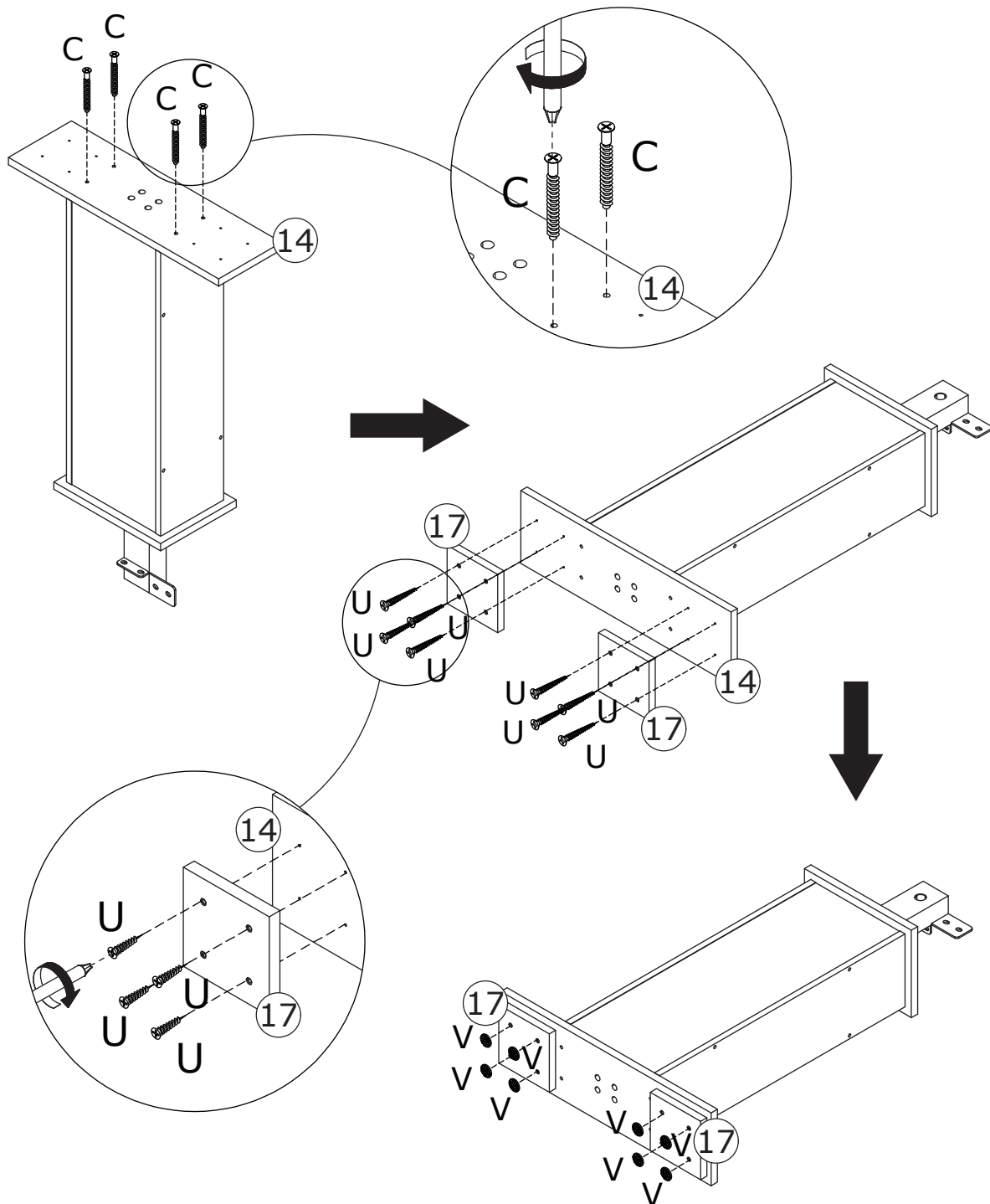
Insert part 1 into part 13, and secure part 14 to part 1 using screws N.



23

<p>C x 4  M5 x 40 mm</p>	<p>U x 8  M3.5 x 25 mm</p>	<p>V x 8  Ø30 x 3 mm</p>	
---	---	---	---

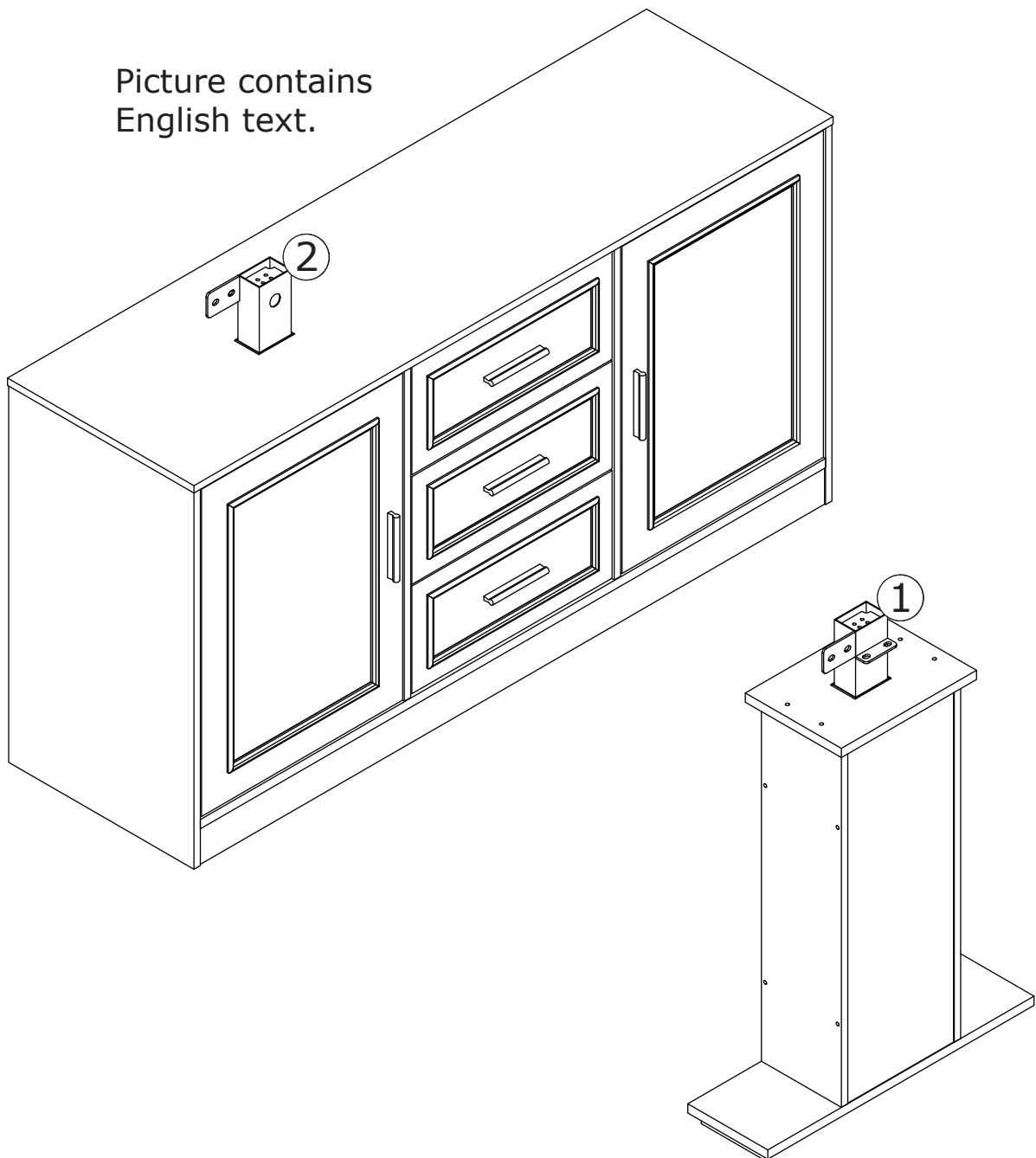
Secure part 14 to part 15 using screws U.
Secure part 17 to part 14 using screws U.



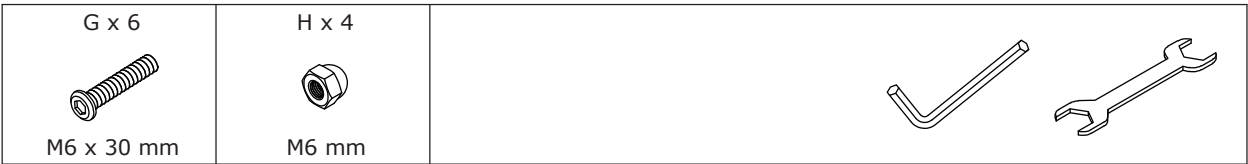
24

Press the two lifting legs to retract them to the lowest position while ensuring the same height.

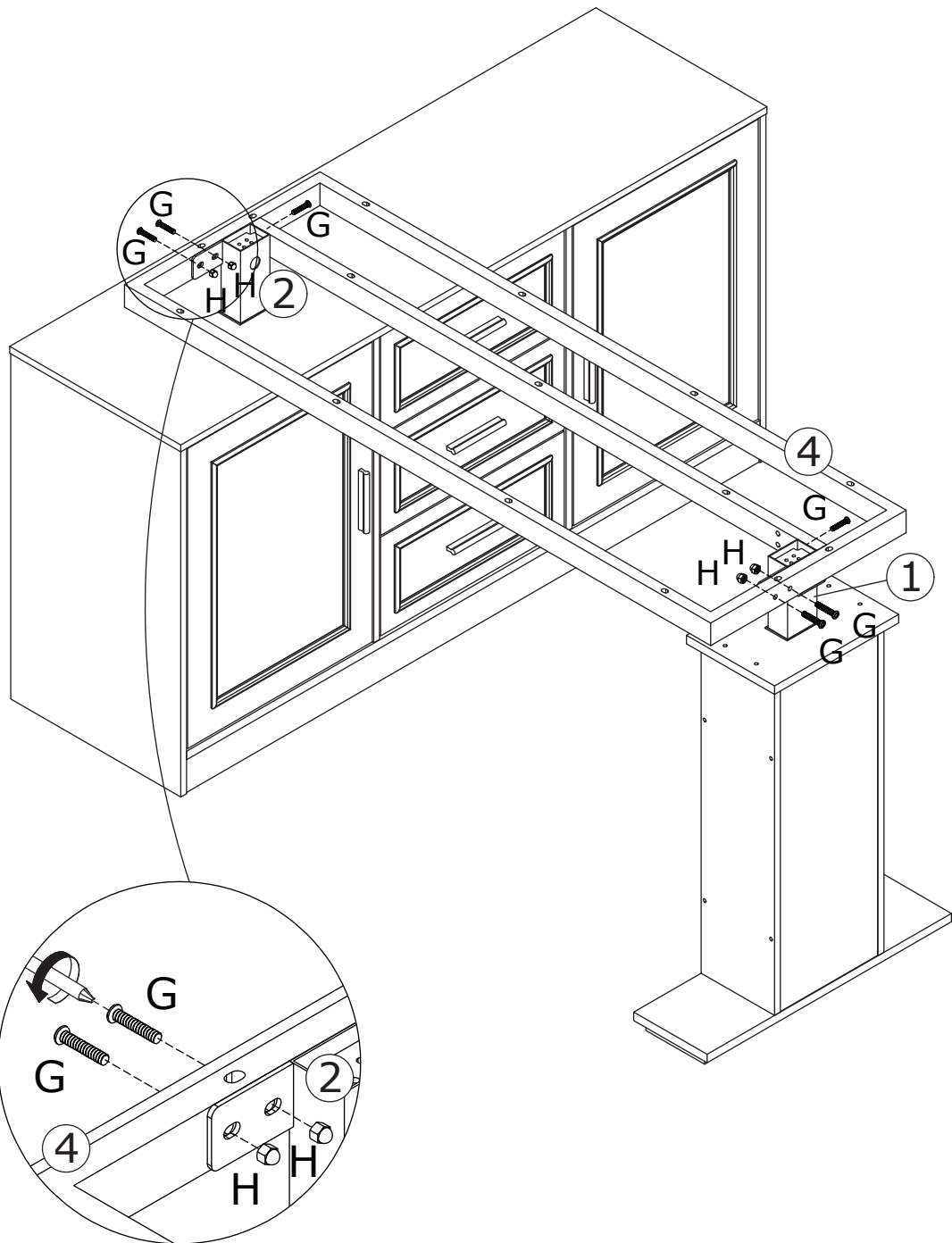
Picture contains
English text.



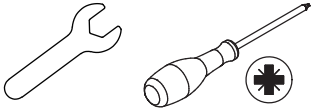
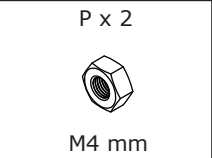
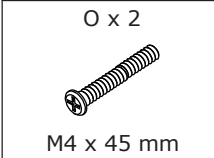
25



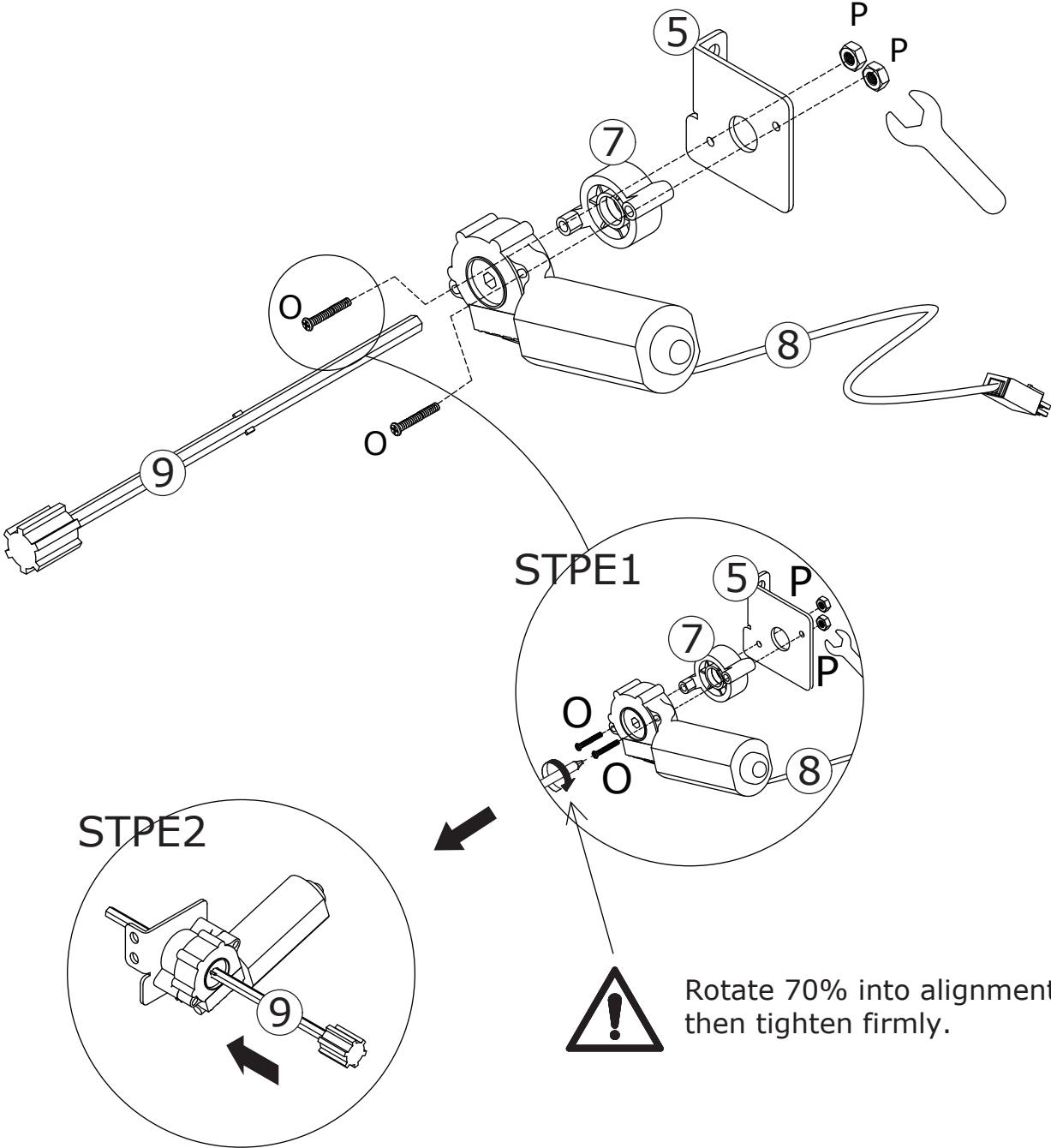
Secure part 4 to parts 1 and 2 using screws G and nuts H.



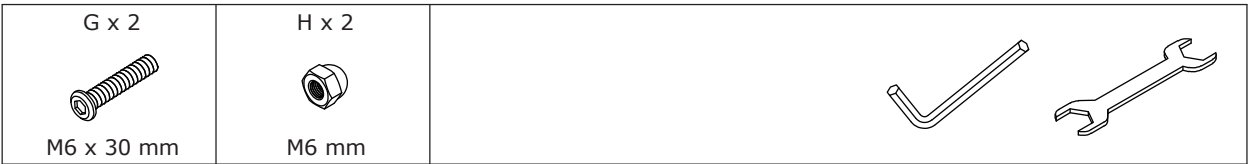
26



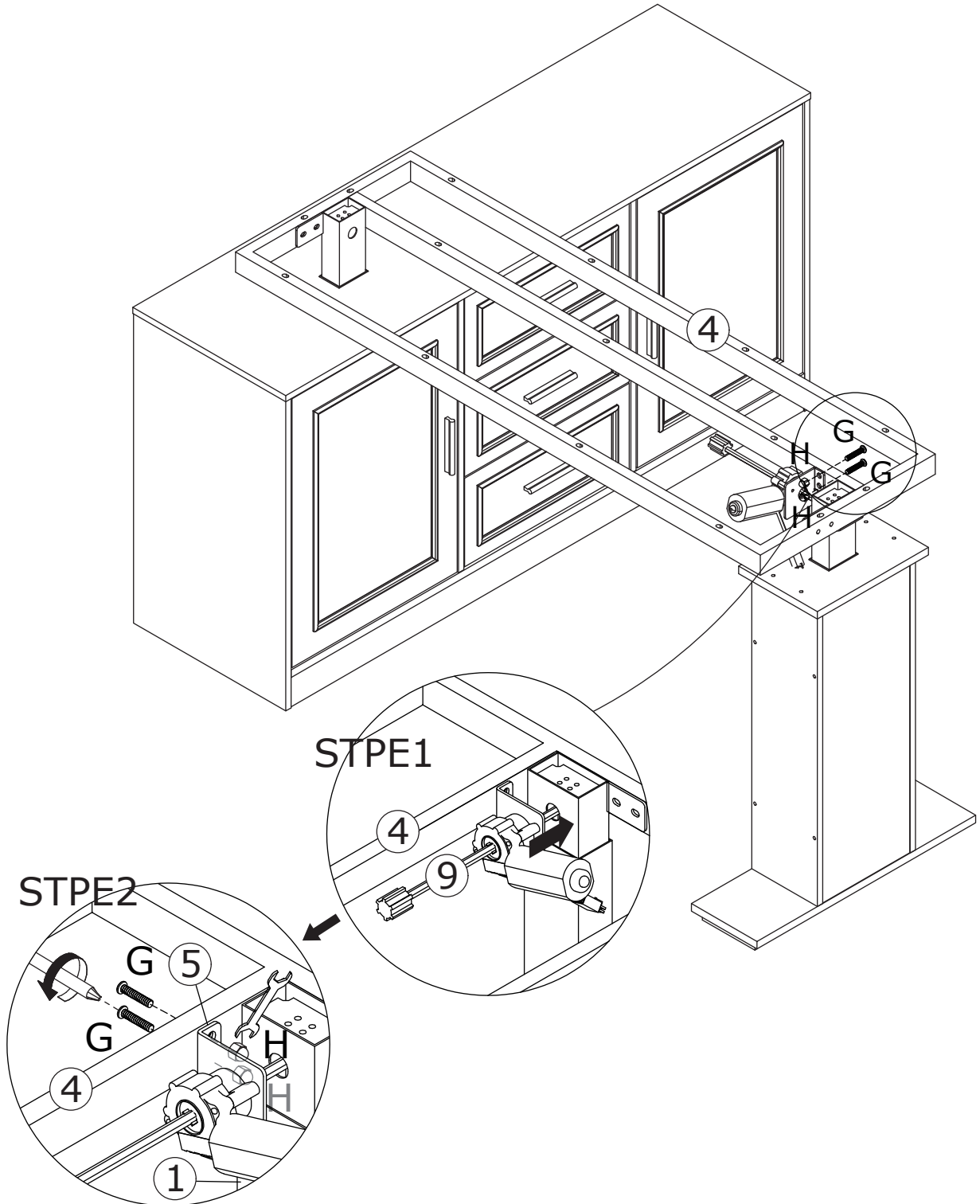
Insert part 9 to parts 8, 7 and 5,
and secure them using screws O
and nuts P.



27



Insert part 9 into part 1.
Then secure part 5 to part 4 using screws G
and nuts H.

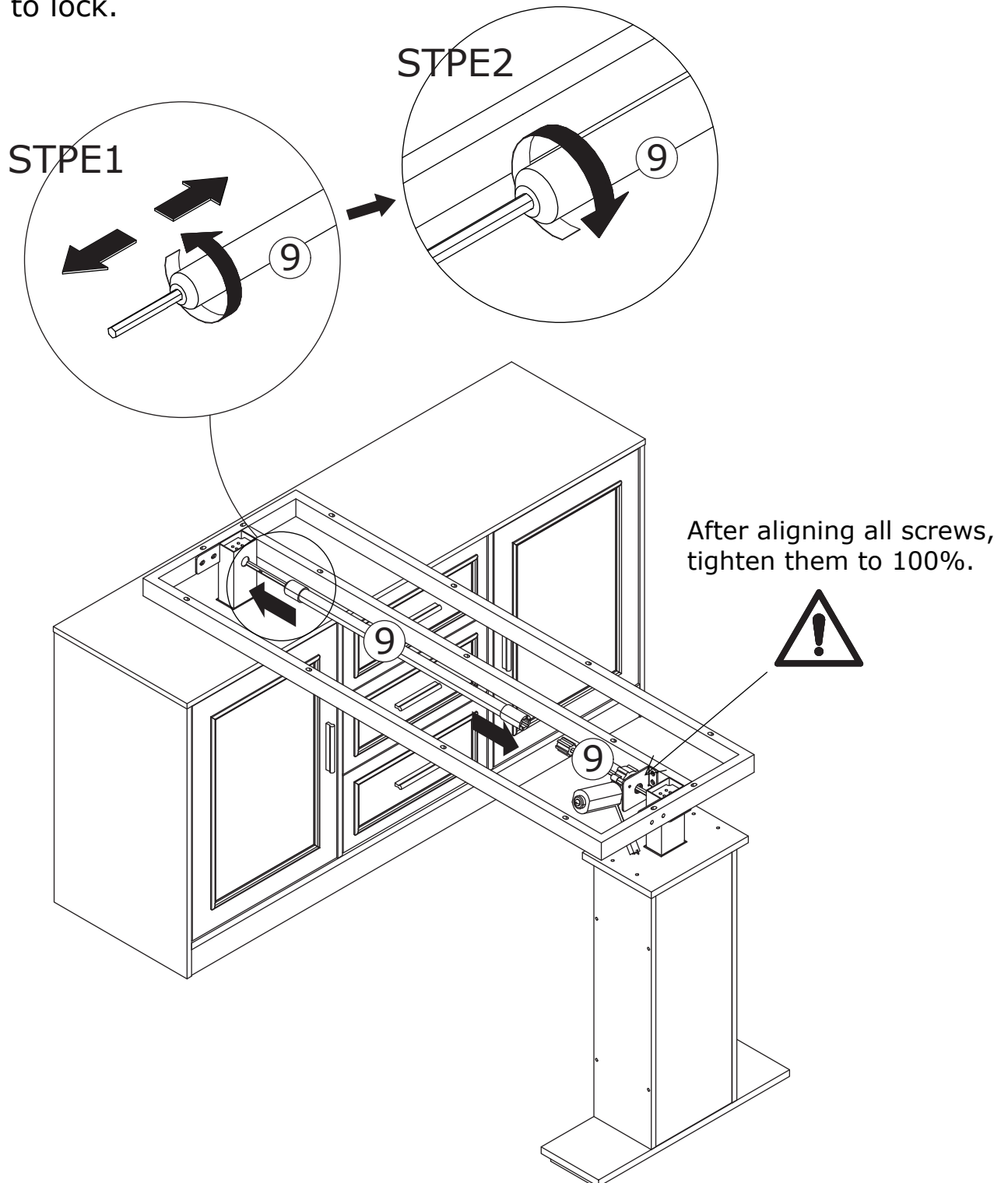


28

Rotate the long rod of part 9 counterclockwise to extend to the desired length.

Insert one end into part 2, and connect the other end to the short rod of part 9.

Once connected, rotate the long rod of part 9 clockwise to lock.

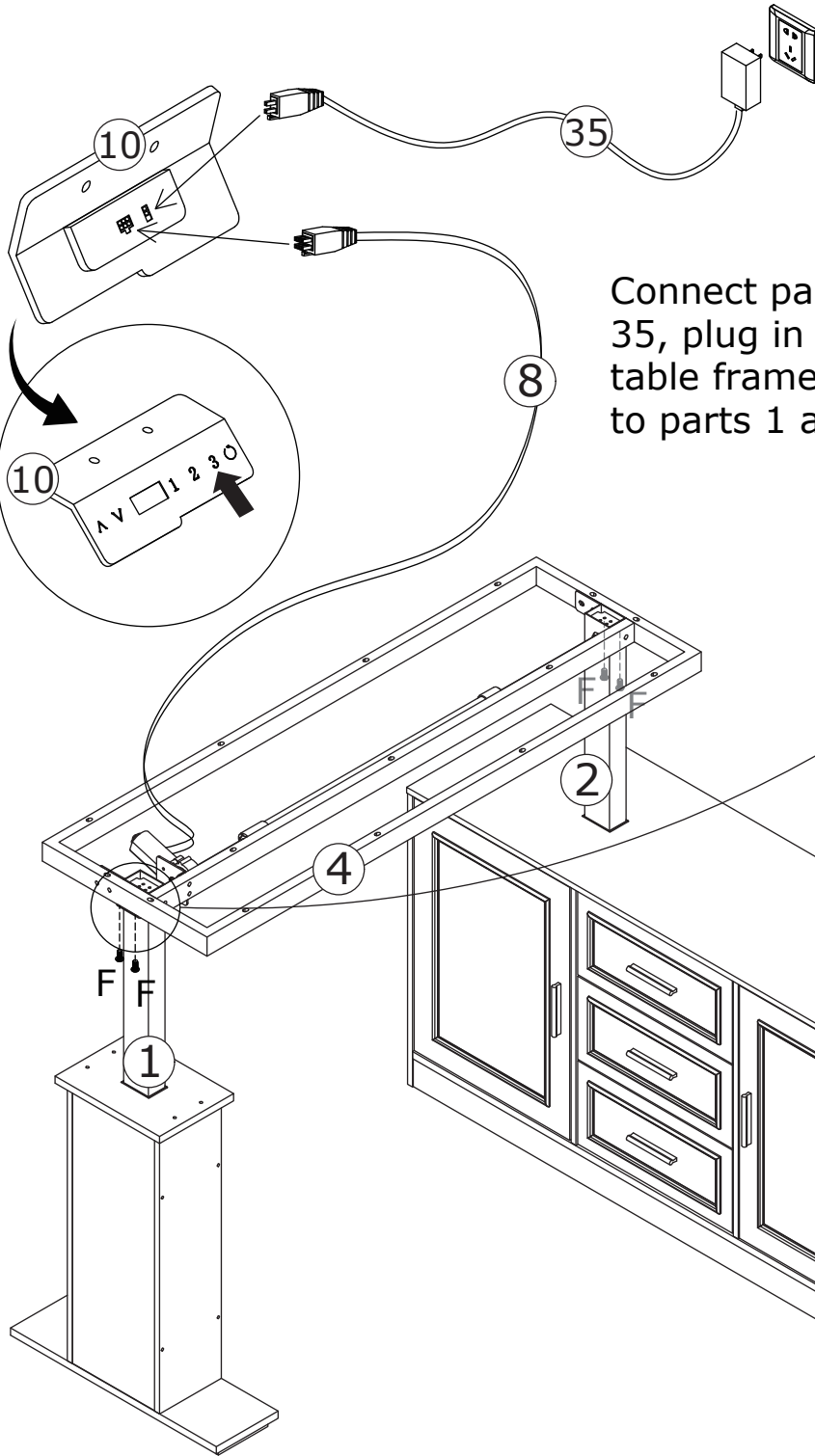


29

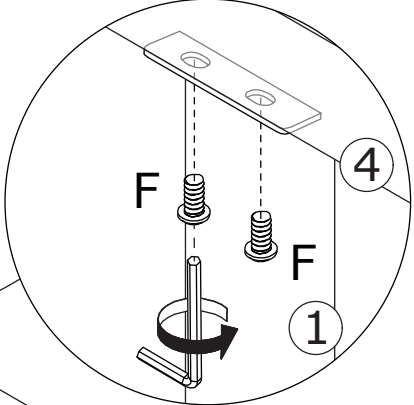
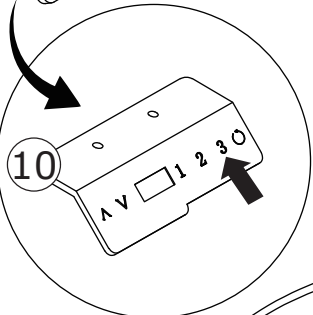
F x 4



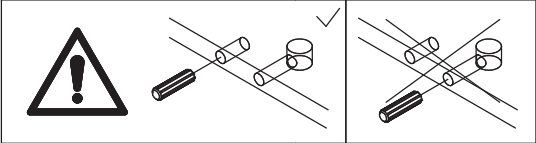
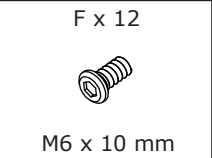
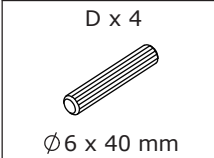
M6 x 10 mm



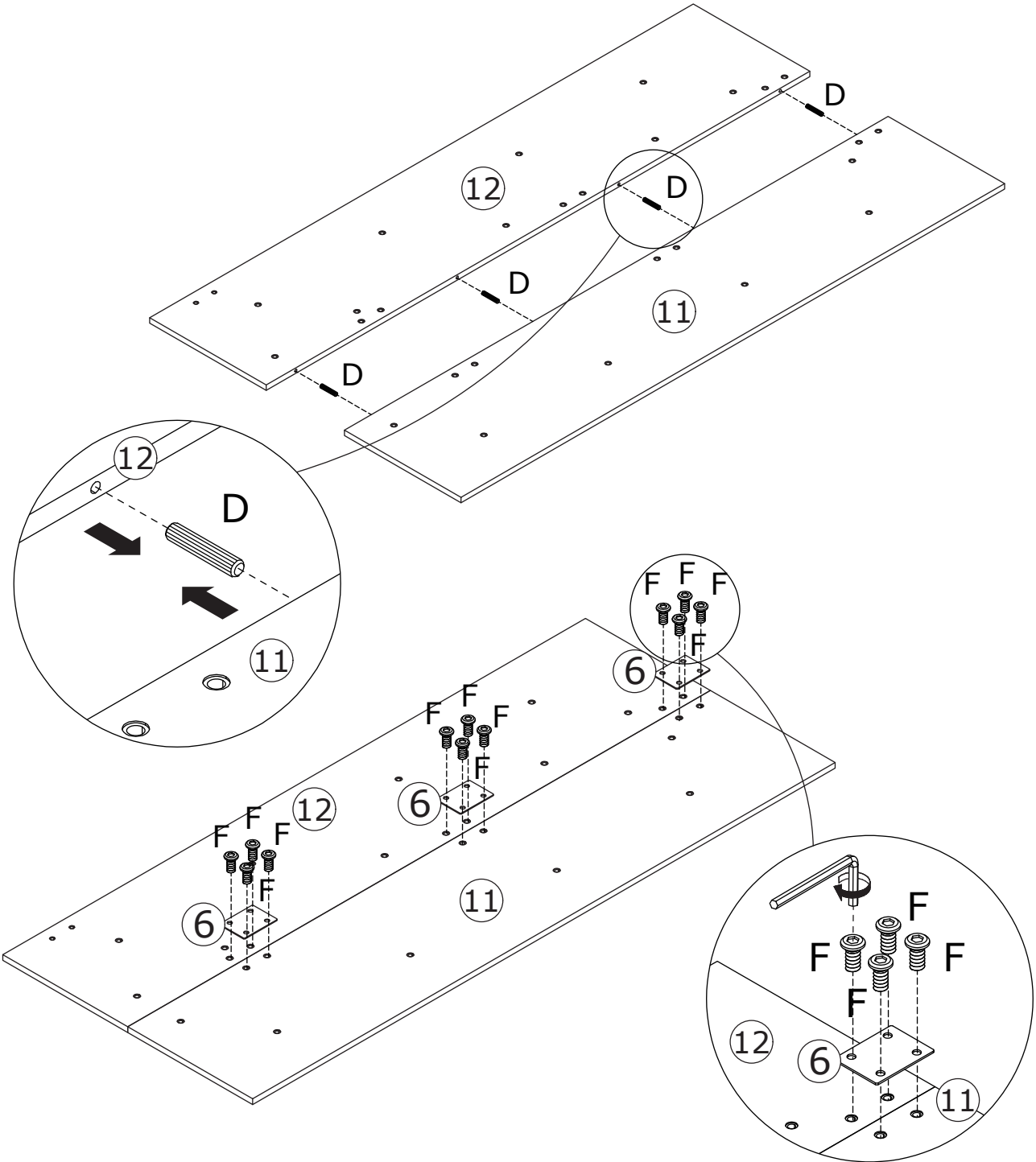
Connect part 10 to parts 8 and 35, plug in the power to raise the table frame, then secure part 4 to parts 1 and 2 using screws F.



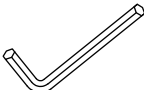
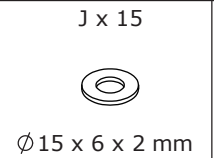
30



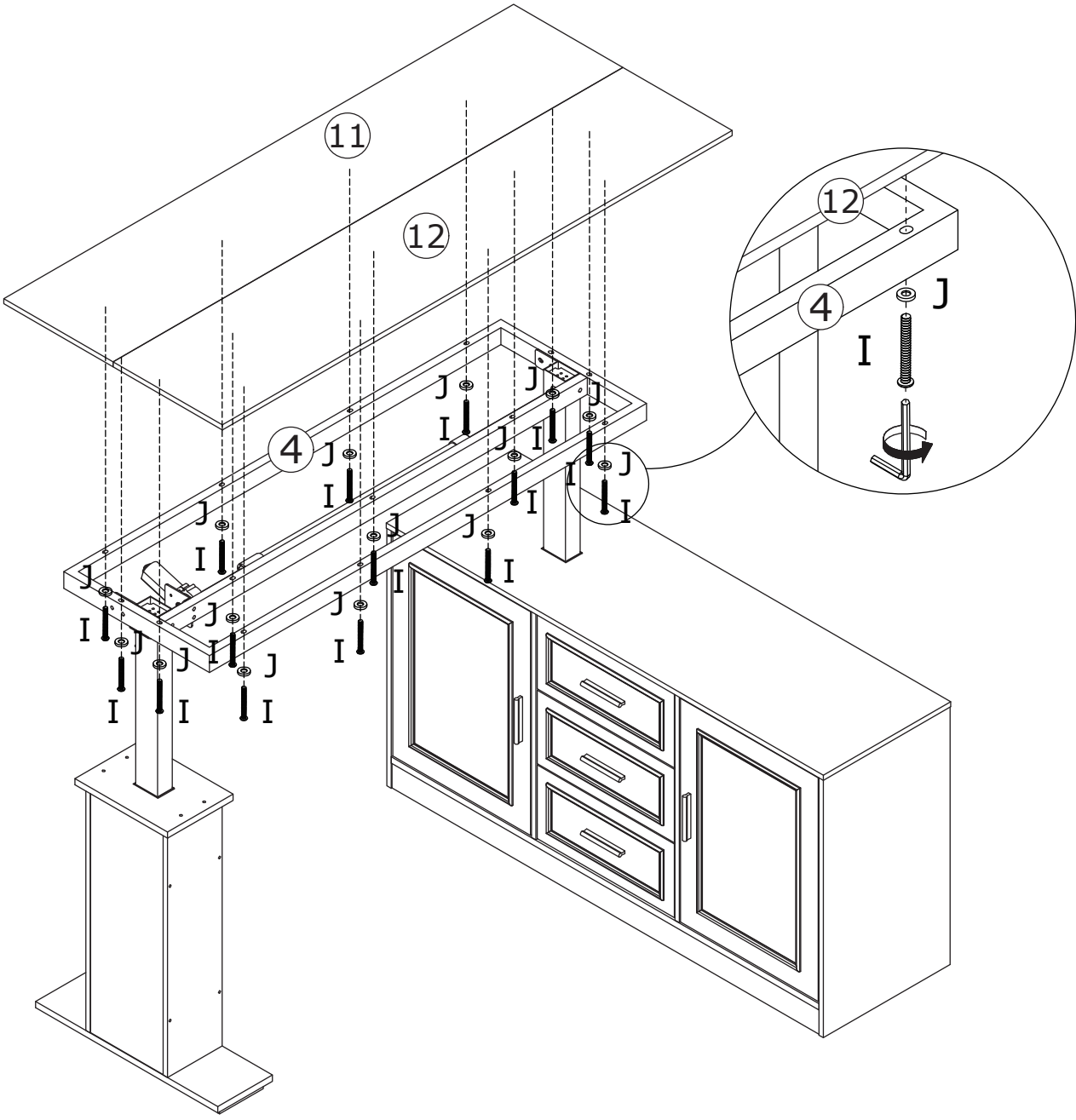
Connect parts 12 and 11 using wooden dowels D, secure part 6 to parts 11 and 12 using screws F.



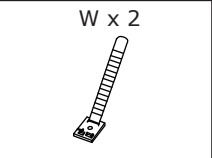
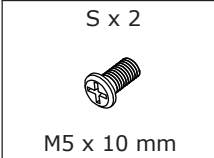
31



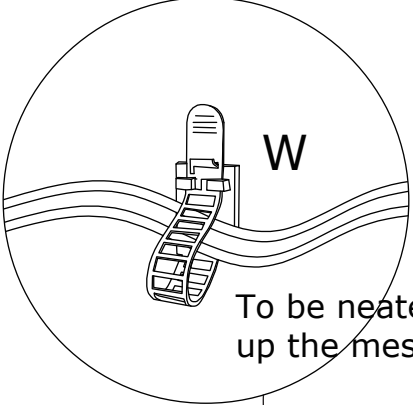
Connect part 4 to parts 11 and 12 using screws I and washers J .



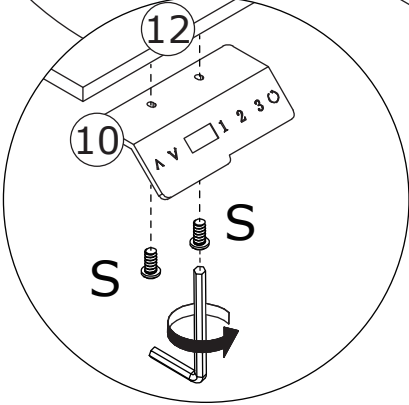
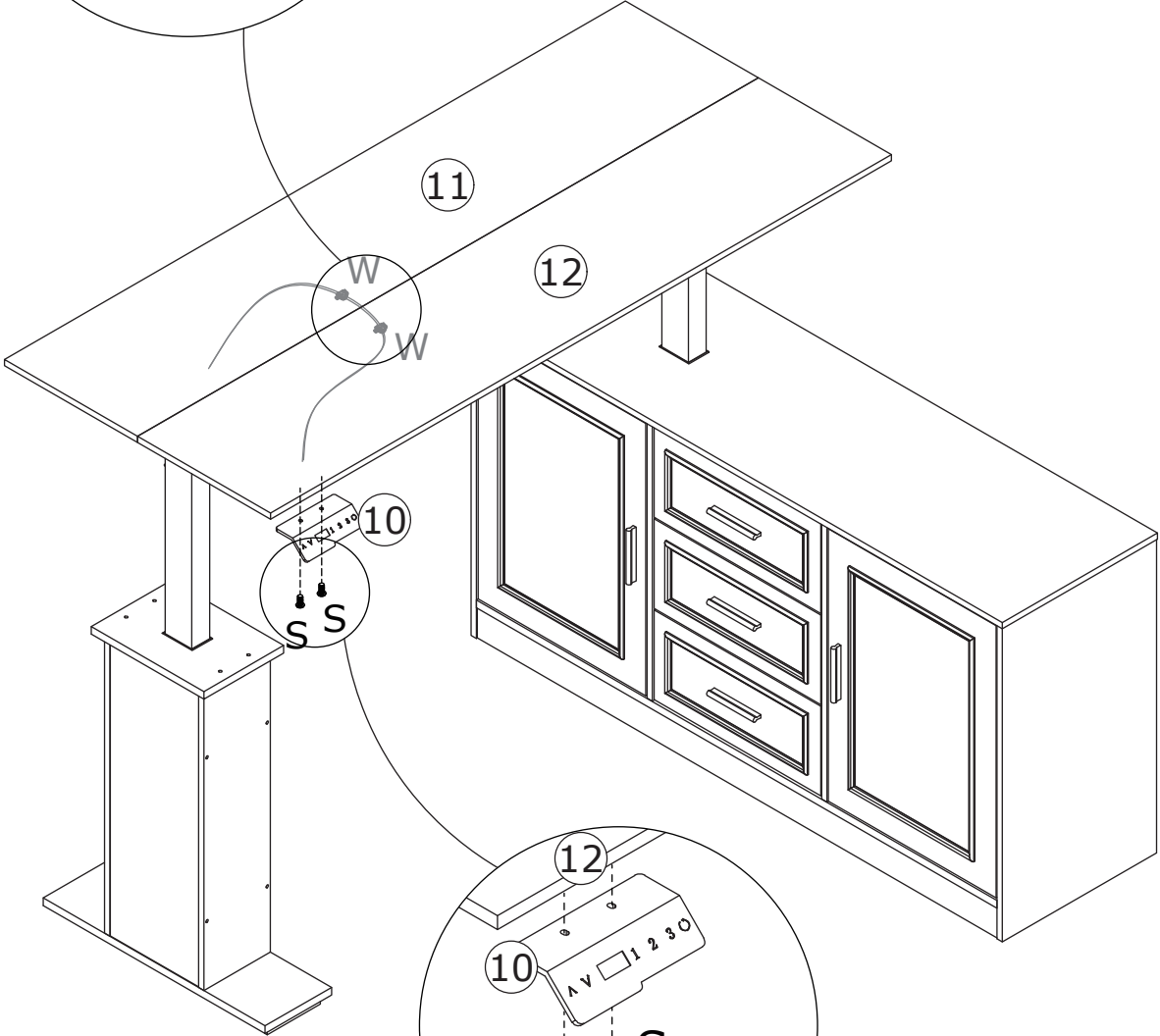
32



Secure part 10 to part 12 using screws S .



To be neater, tidy up the messy wires.



WARRANTY

WARRANTY CLAIMS

- There is a 30-day warranty for broken furniture or any other problems that do not work properly. The warranty will start from the date of purchase which must be verified by proof of purchase.
- Before making a claim, we may be able to answer your query, simply call us. Please leave your purchase order number, along with some details of the problem, if you want a replacement part. We will arrange within 48 hours. If there is out of stock, we will reply with a shipping date.
- The product must be used in accordance with the instructions provided. For health reasons.
- For other reasons, if the furniture needs to be returned, it must be cleaned and dried and operated within 30 days of receipt.

Type of Warranty Claim

- Failure to follow the furniture instructions will invalidate the warranty. Attention please.
- Does not include damage during installation, but includes damage during transportation.

Scope of responsibility

- Shall not bear any responsibility for misuse or user damage and / or loss of parts during the installation of furniture.
- After using, the damage and scratches of the furniture are not covered by the warranty.

The Warranty Relates to All Bought in The Us and Covers The Following Areas

- Sheet parts: 1 month from the date of purchase.
- Electrical parts: 1 month from the date of purchase.

RETURNS

CHANGED YOUR MIND AND NEED TO RETURN YOU ITEM?

PLEASE FOLLOW THE BELOW INSTRUCTIONS:

- If you have purchased and have simply changed your mind, follow the retailer's instructions for returns.

DEFECTIVE ITEMS

- If your item is defective in any way, i.e. it doesn't work but you can't identify why, in the first instance, please call us.

DAMAGED ITEMS

- If you receive an order with obvious shipping damage from the retailer, then we suggest the delivery is refused. If the delivery has been accepted and then shipping damage is found, please follow the specific instructions advised by the retailer.
In all circumstances please save all packaging material and paperwork for the order. Please be aware that if you dispose of packaging material or attempt to return the merchandise without contacting the fulfiller, you jeopardise your chances of making a claim, and you may not receive a credit for the return.

AFTER-SALES CONTACT



adelahu@fufugaga.com



208-820-0068