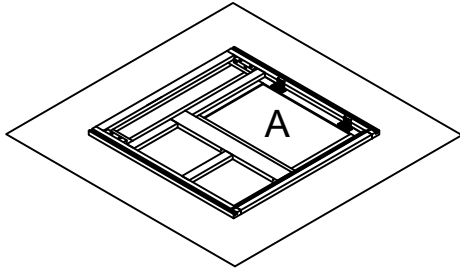


Base Cabinet Assembly Instruction

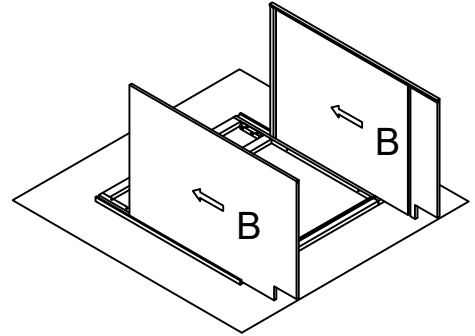
(Item: CVD36-2R/CVD36-2L)

Hard Ware List	1 9PCS Ø4×25mm	5 40PCS Ø4×12mm	6 10PCS	8 2SET	9 4PCS	10 2SET	11 14PCS			
	Flat head screw	Flat head screw	Corner brackets	Slide	prop	slide lock	Bumper			
Cabinet Parts List	A	Frame+Door	B	Side panels(2)	C	Bottom panel	D	Back panel	E	Toe kick
			H	Drawer front(3)	I	Drawer front panel(2)	J	Drawer back panel(2)	K	Drawer side panel(4)
	O	panel beam(2)							L	Drawer bottom panel(2)

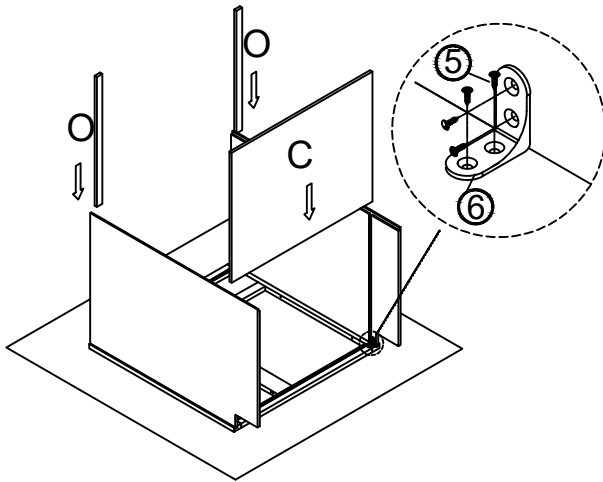
Step1:



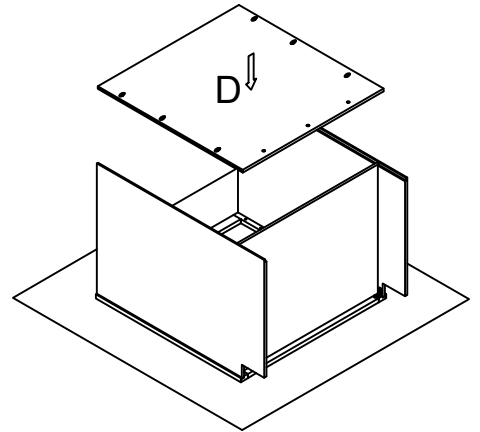
Step2:



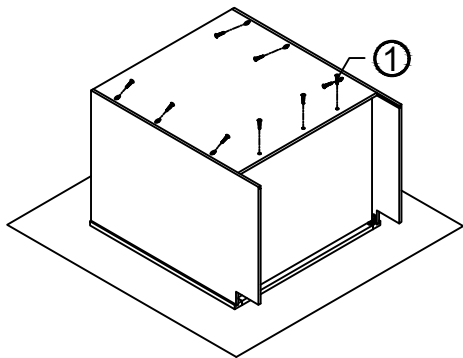
Step3:



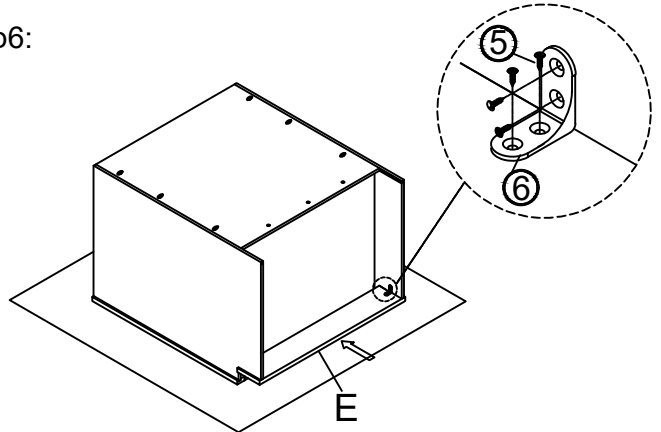
Step4:



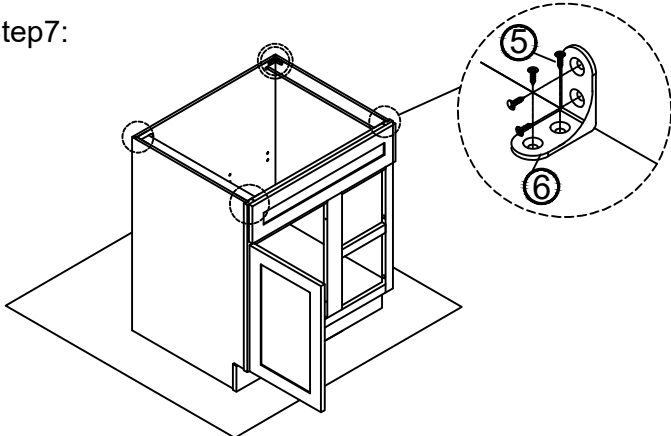
Step5:



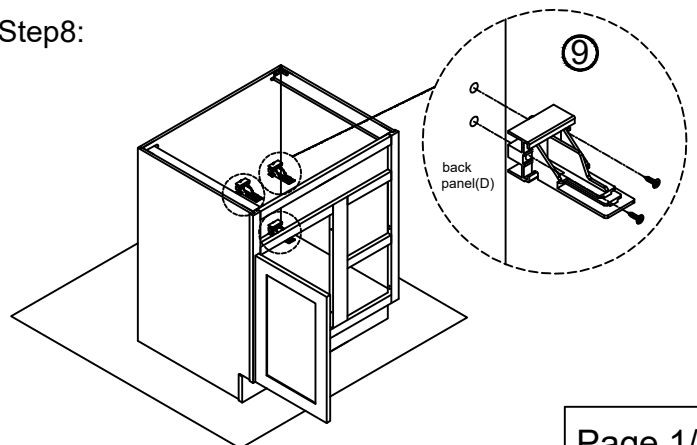
Step6:



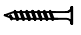






Step7:



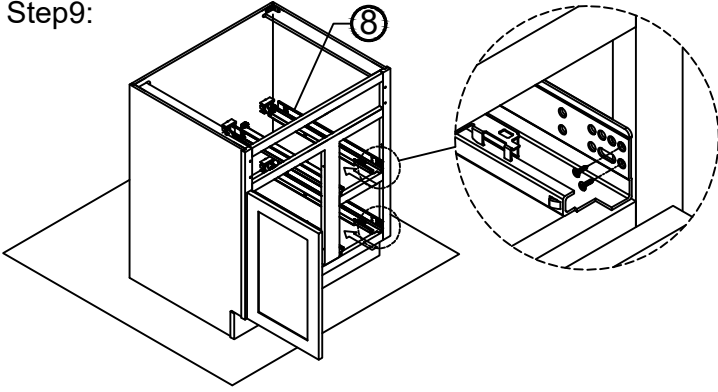
Step8:



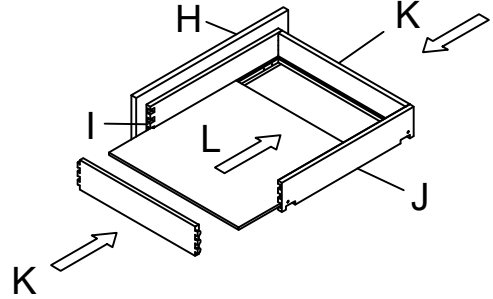
Base Cabinet Assembly Instruction (Item: CVD36-2R/CVD36-2L)

Hard Ware List	1 9PCS Ø4×25mm	5 40PCS Ø4×12mm	6 10PCS	8 2SET	9 4PCS	10 2SET	11 14PCS				
	Flat head screw	Flat head screw	Corner brackets	Slide	prop	slide lock	Bumper				
											
Cabinet Parts List	A	Frame+Door	B	Side panels(2)	C	Bottom panel	D	Back panel	E	Toe kick	
			H	Drawer front(3)	I	Drawer front panel(2)	J	Drawer back panel(2)	K	Drawer side panel(4)	L
	O	panel beam(2)									

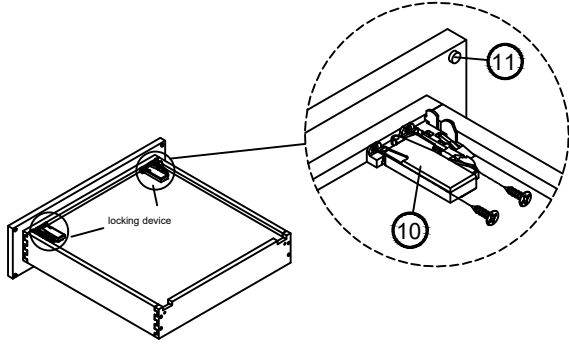
Step9:



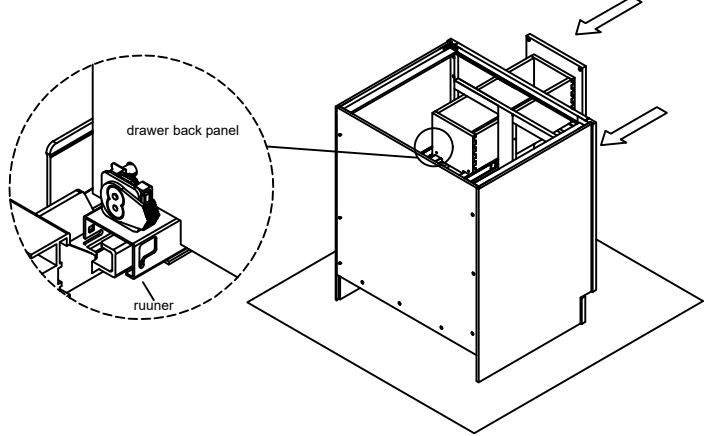
Step10:



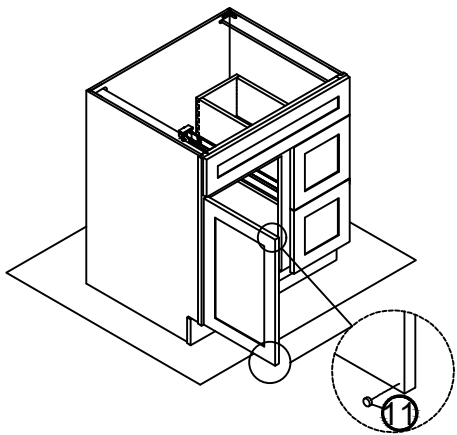
Step11:



Step12:



Step13:



Step14:

