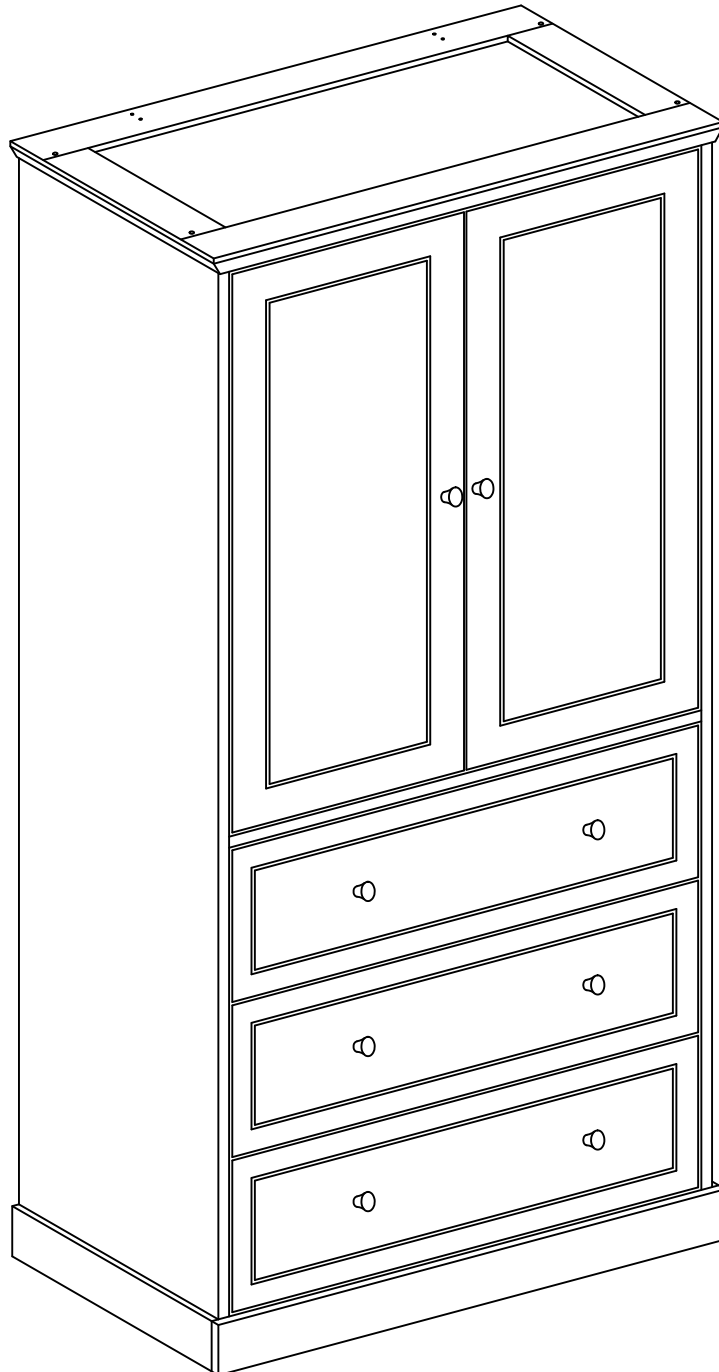
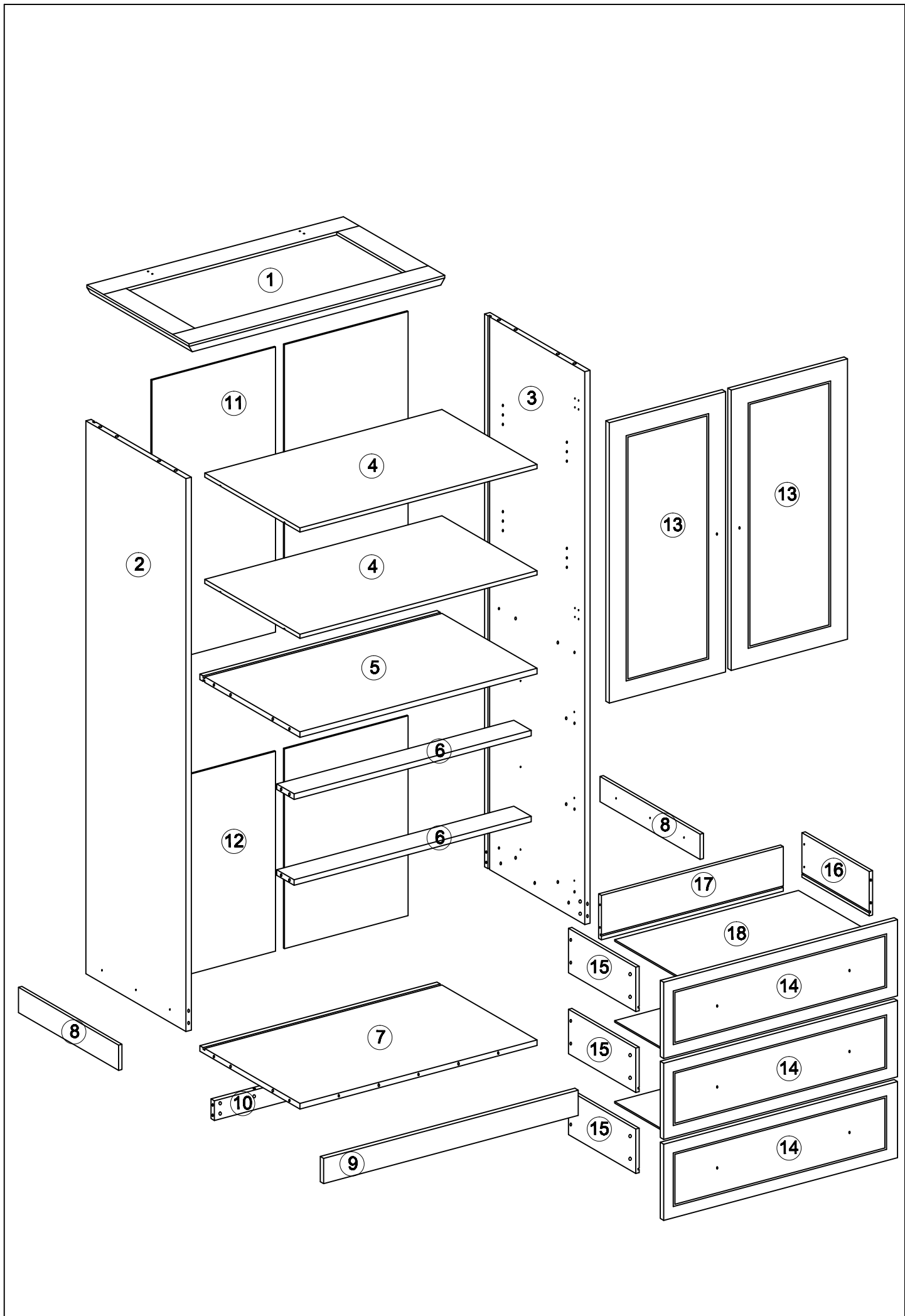


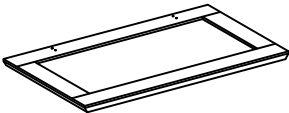





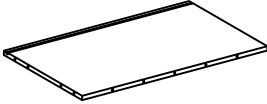
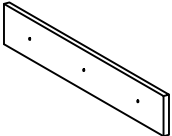
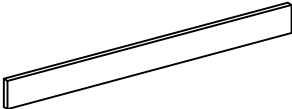
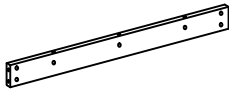
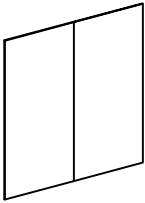
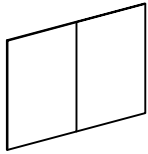
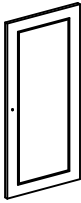
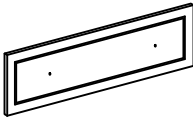
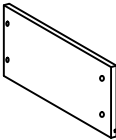
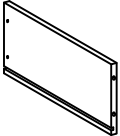


Assembly instruction

SKU:N725P262026K

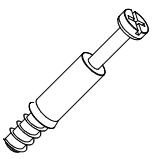
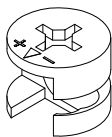
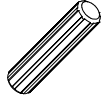

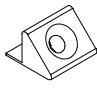
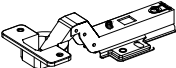
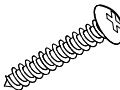
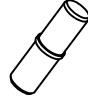

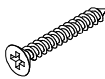




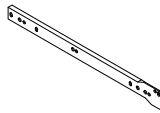
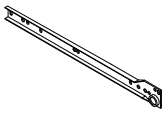
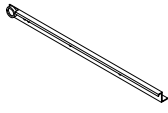
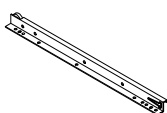






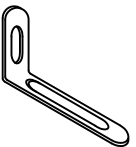

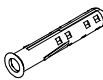
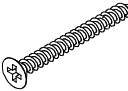
Parts List

 <p>① x 1</p>	 <p>② x 1</p>	 <p>③ x 1</p>	 <p>④ x 2</p>
 <p>⑤ x 1</p>	 <p>⑥ x 2</p>	 <p>⑦ x 1</p>	 <p>⑧ x 2</p>
 <p>⑨ x 1</p>	 <p>⑩ x 1</p>	 <p>⑪ x 1</p>	 <p>⑫ x 1</p>
 <p>⑬ x 2</p>	 <p>⑭ x 3</p>	 <p>⑮ x 3</p>	 <p>⑯ x 3</p>
 <p>⑰ x 3</p>	 <p>⑱ x 3</p>		

Hardware

<p>A x 38+1</p> 	<p>B x 38+1</p> 	<p>C x 18+1</p> 	<p>D x 24</p> 	<p>E x 24</p> 
<p>F x 4</p> 	<p>G x 6</p> 	<p>H x 8</p> 	<p>I x 48+2</p> 	<p>J x 12</p> 
<p>K x 8</p> 	<p>L x 8</p> 	<p>M x 4</p> 	<p>N x 1</p> 	<p>CL x 3</p> 
<p>CR x 3</p> 	<p>DL x 3</p> 	<p>DR x 3</p> 	<p>O x 1</p> 	<p>P x 1</p> 

Restraint Device Hardware

<p>Y x 2</p> 	<p>Z x 4</p> 	<p>W x 2</p> 	<p>X x 2</p> 	
---	---	---	---	--

STEP 1

A x 16



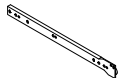
Ø6 x 35mm

I x 12

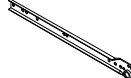


Ø3.5 x 12mm

CL x 3



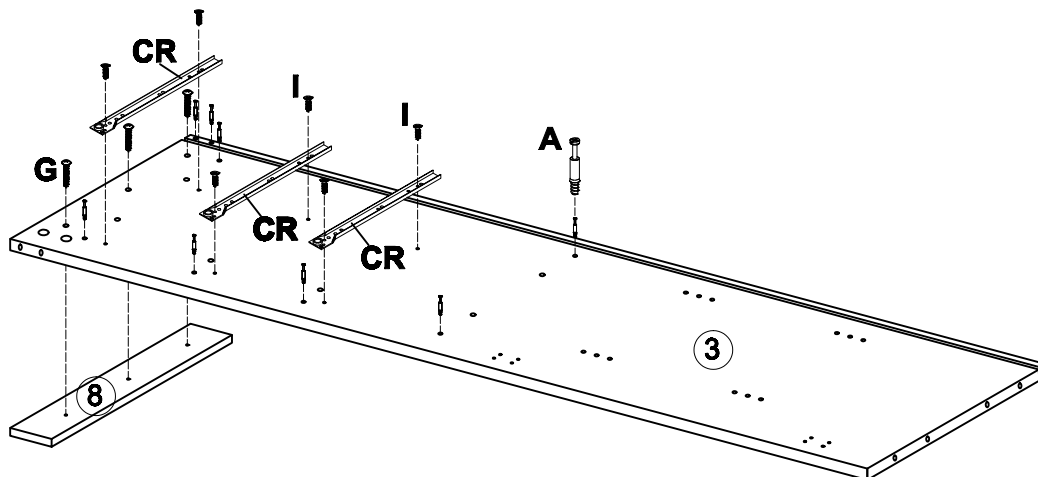
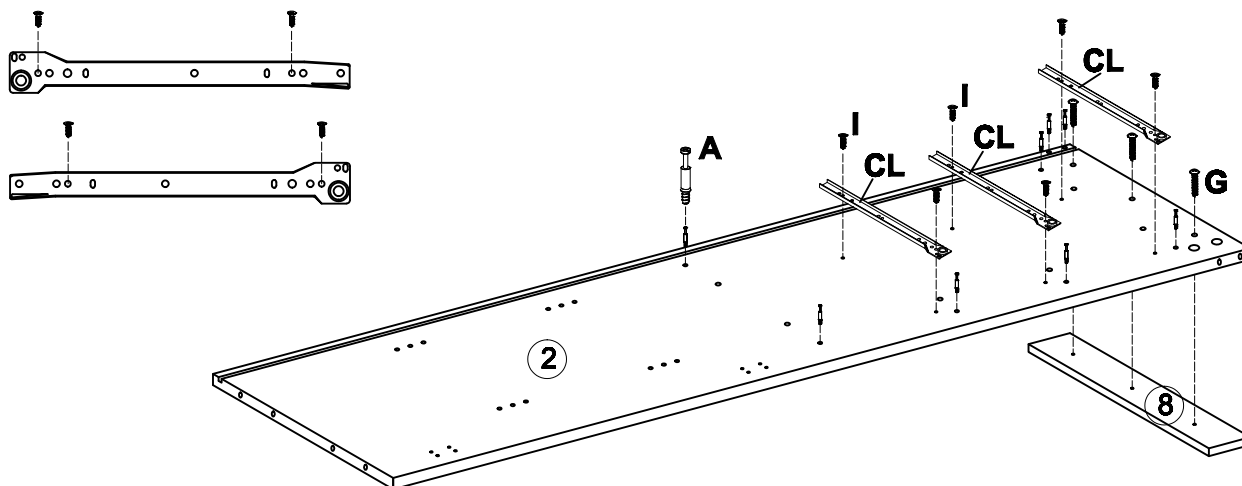
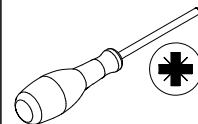
CR x 3



G x 6



Ø3.5 x 25mm

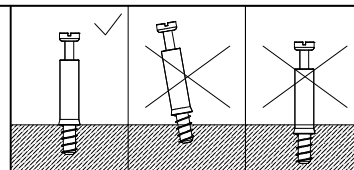
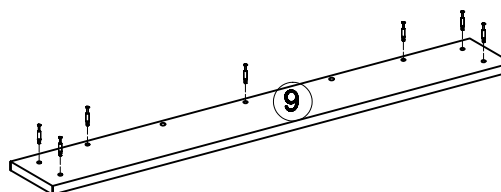
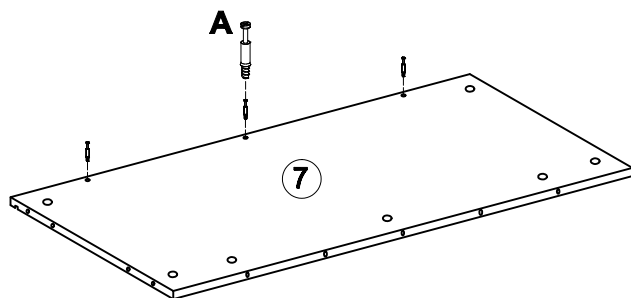
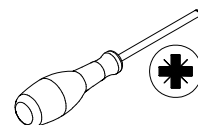


STEP 2

A x 10



Ø6 x 35mm



STEP3

B x 11

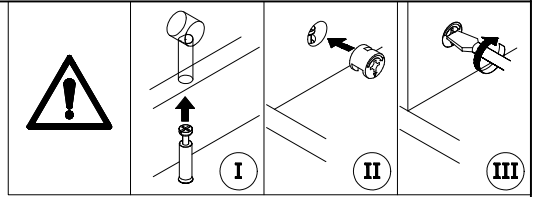
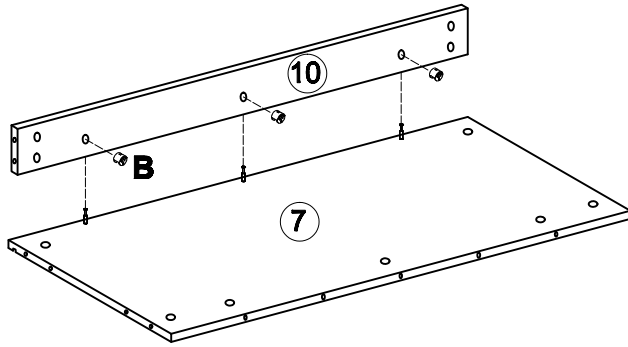
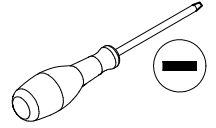


Ø15 x 9.5mm

C x 6

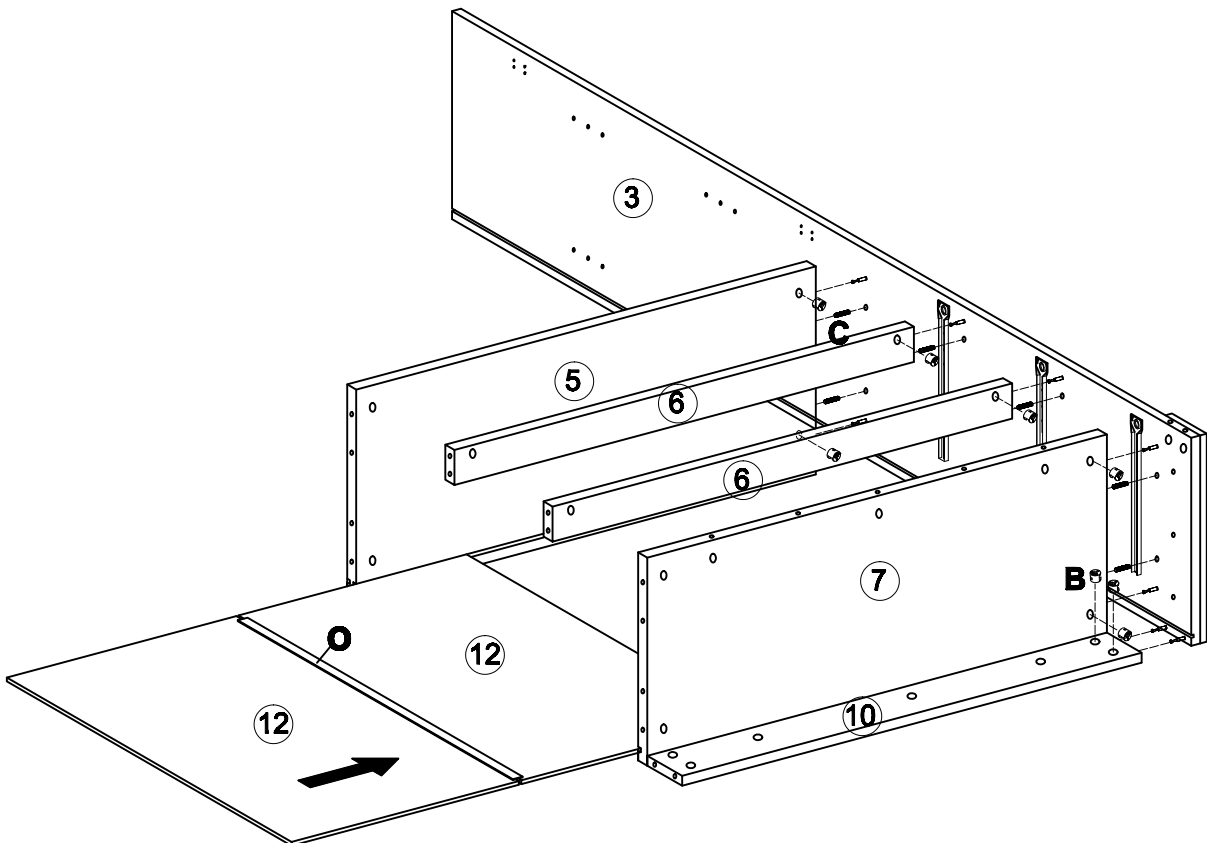
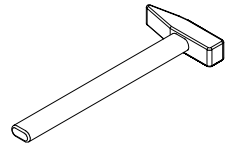


Ø8 x 30mm



STEP4

O x 1



STEP 5

B x 15

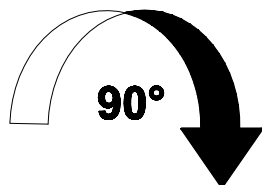
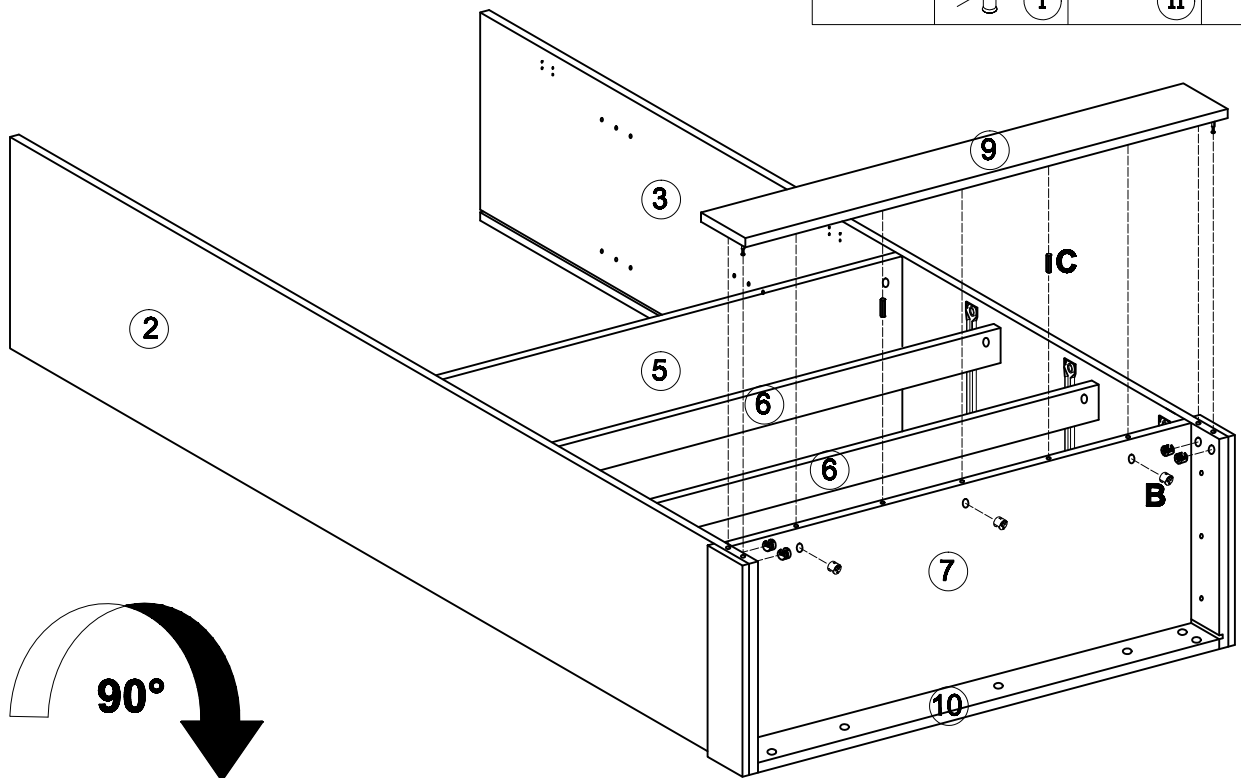
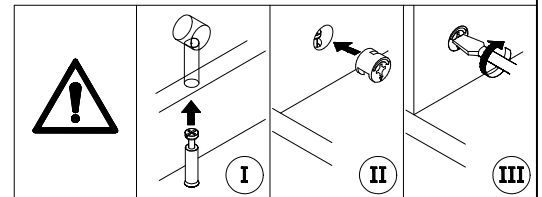
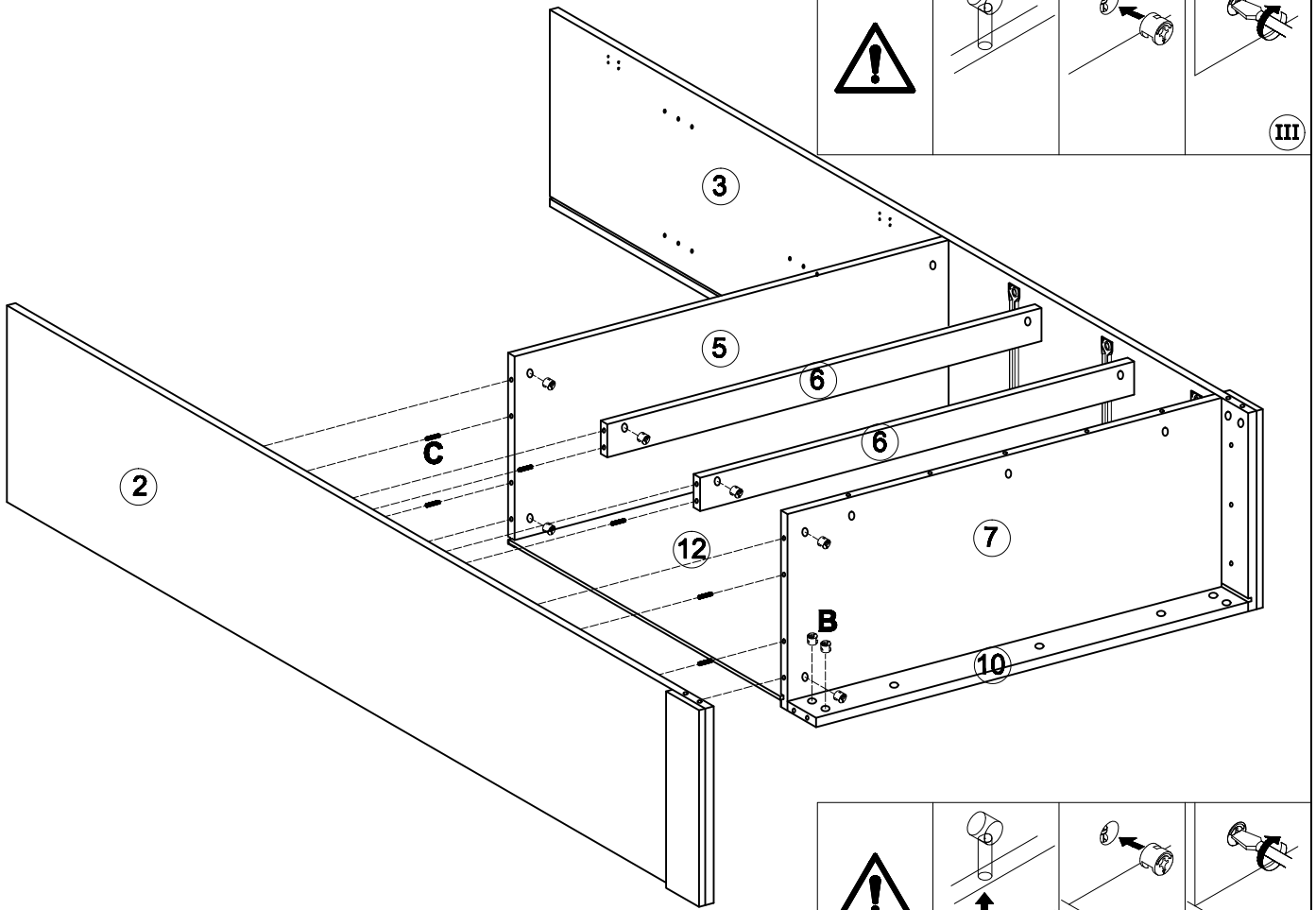
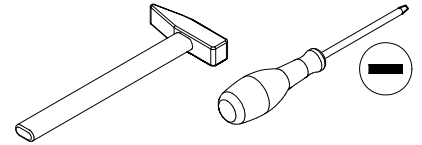


Ø15 x 9.5mm

C x 8



Ø8 x 30mm



STEP 6

M x 4



N x 1



C x 4



Ø8 x 30mm

P x 1

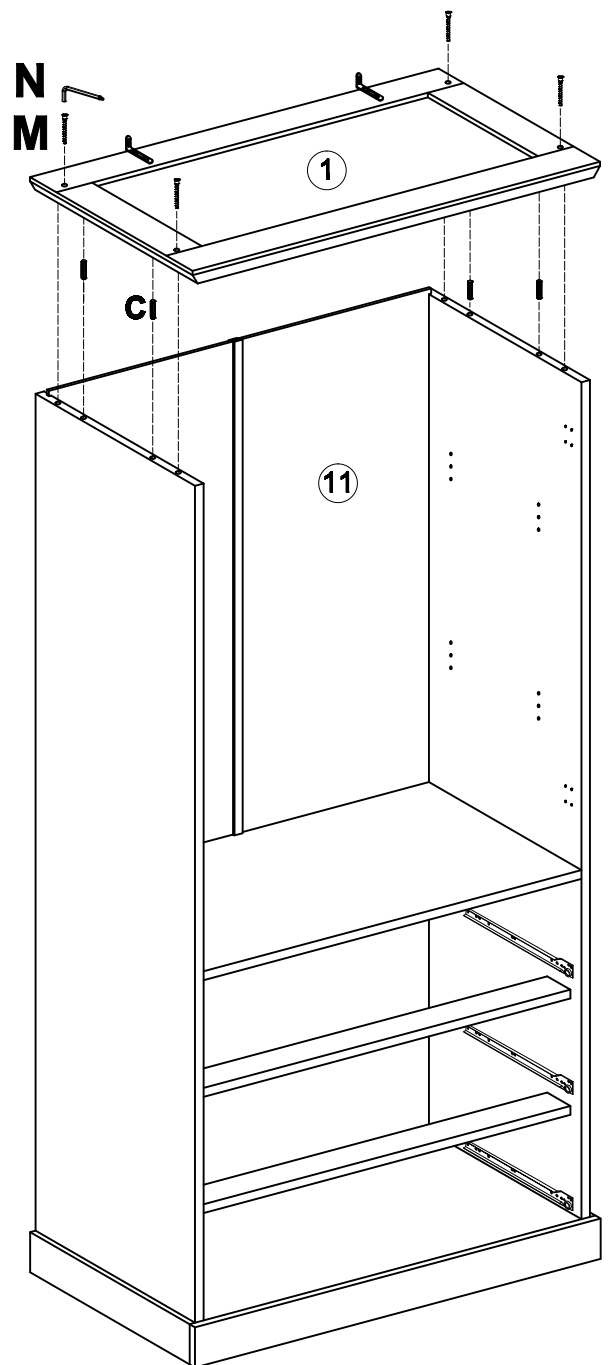
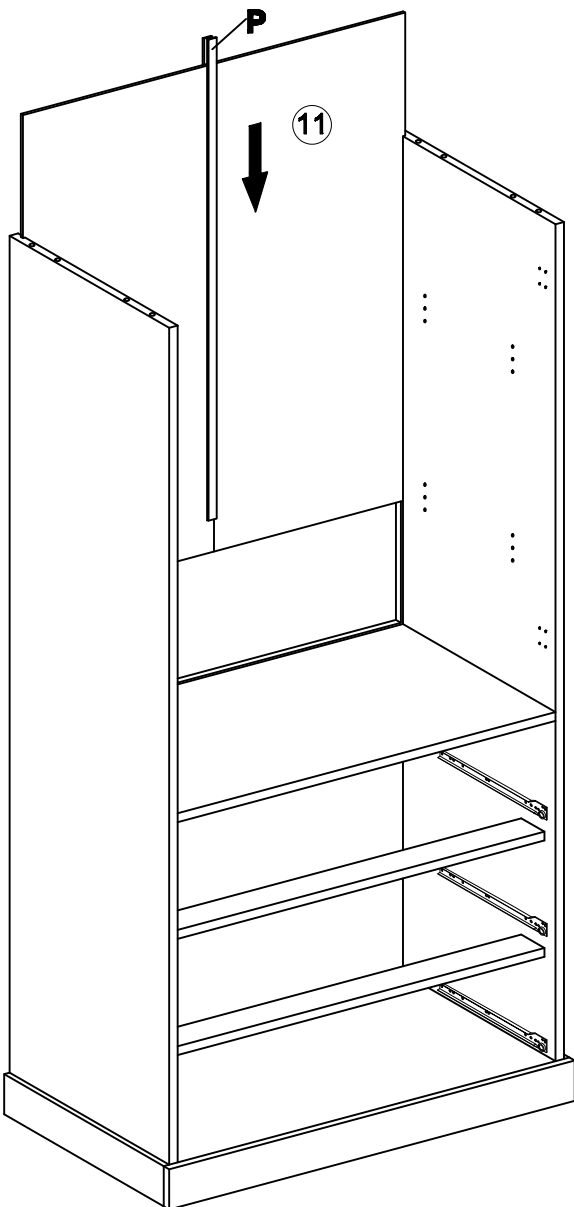
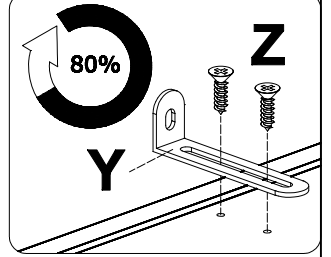
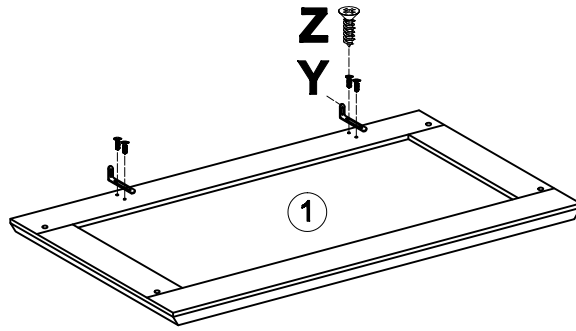


Y x 2



Ø3.5 x 14mm

Z x 4



STEP 7

E x 24

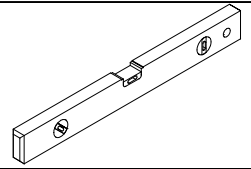
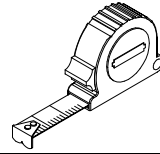
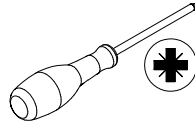


15 x 15 x 9mm

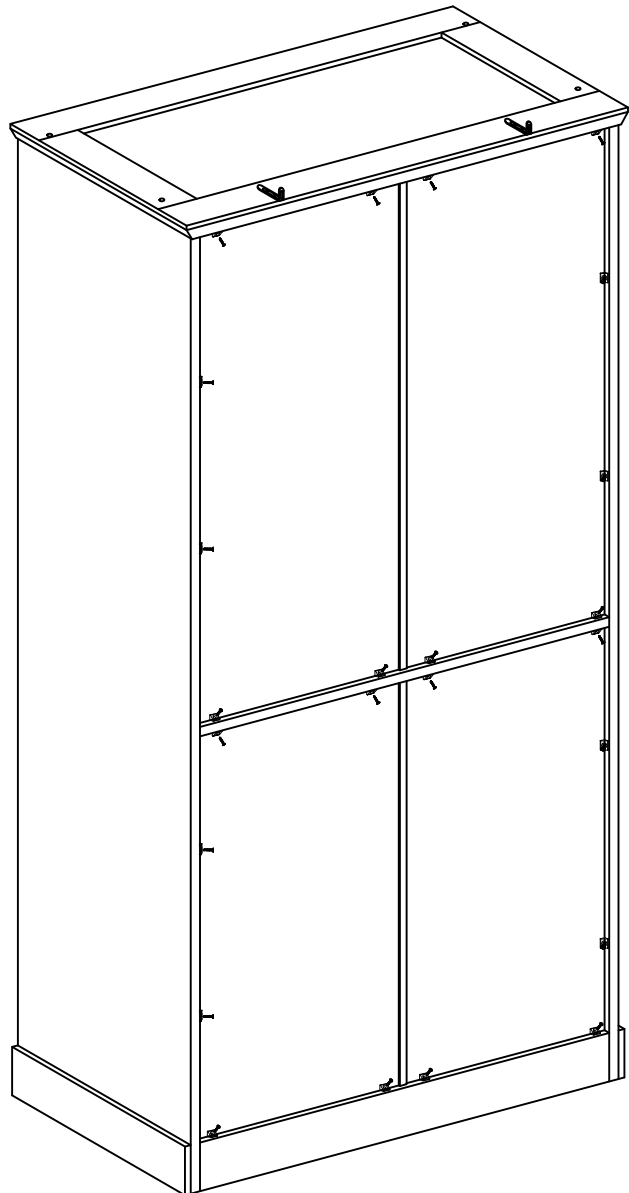
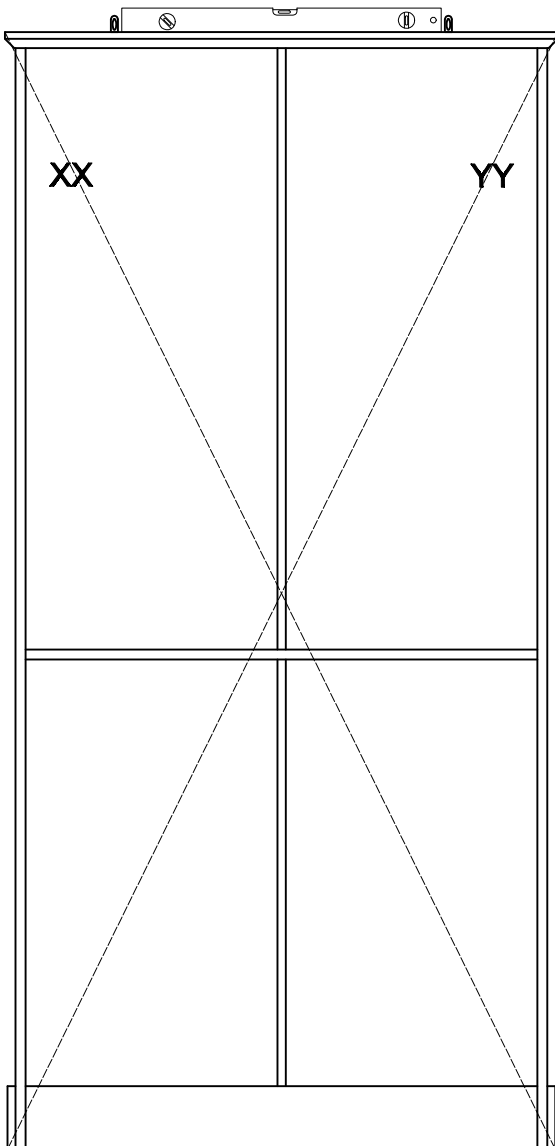
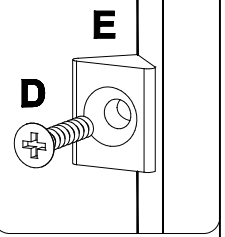
D x 24



Ø3.5 x14mm



XX=YY=90°

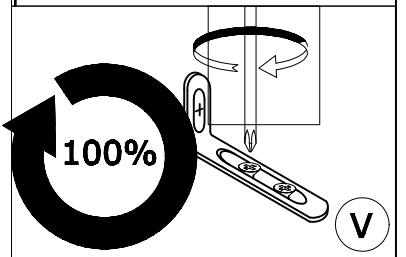
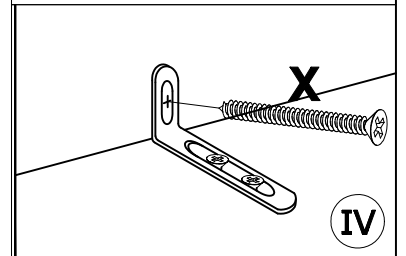
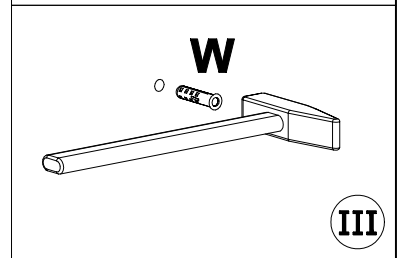
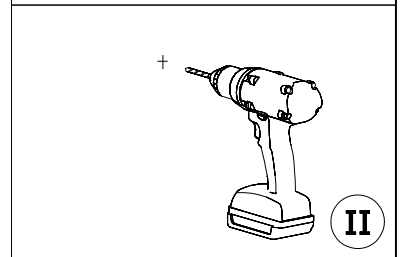
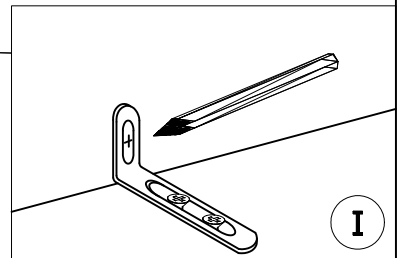
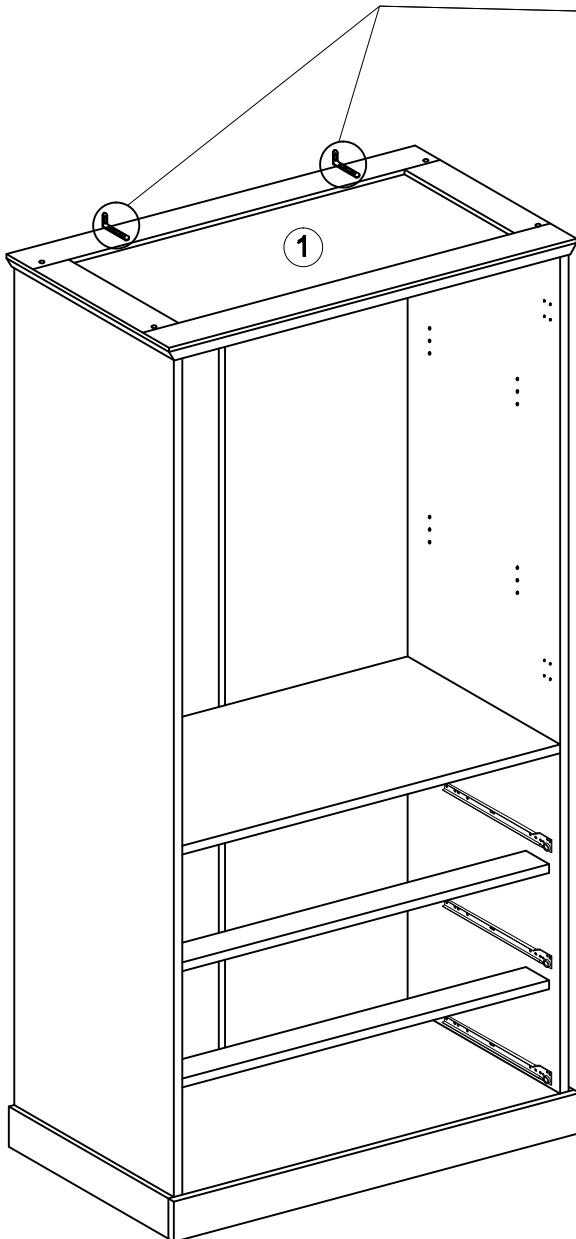
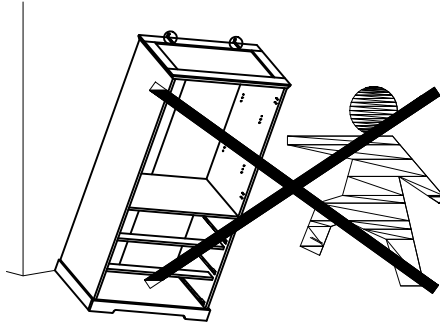
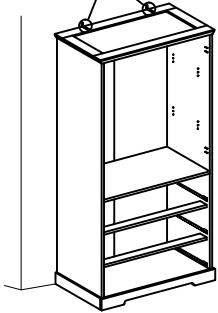
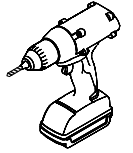
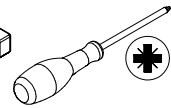
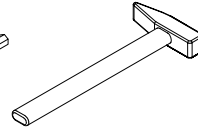
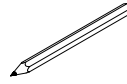


STEP 8

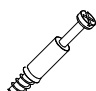
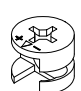




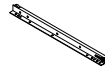

W x 2

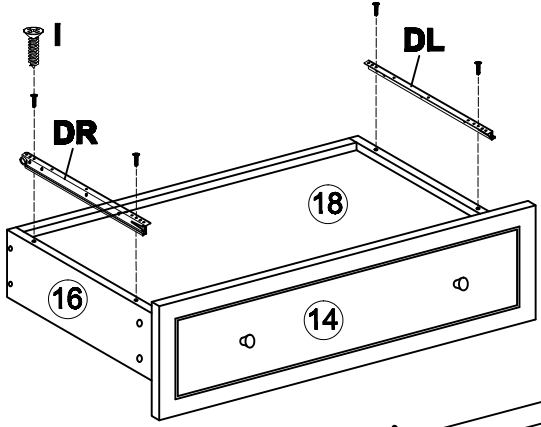
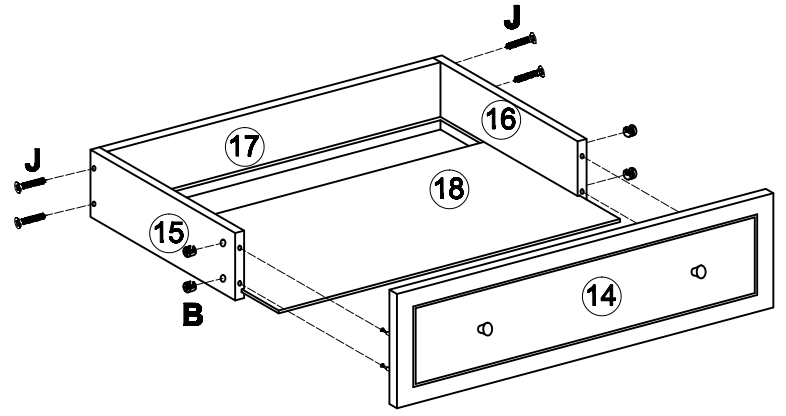
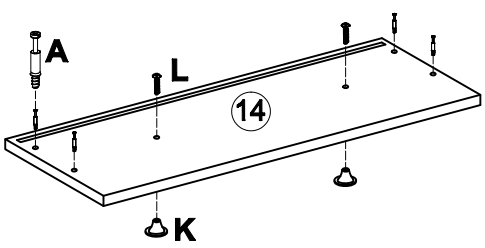


X x 2

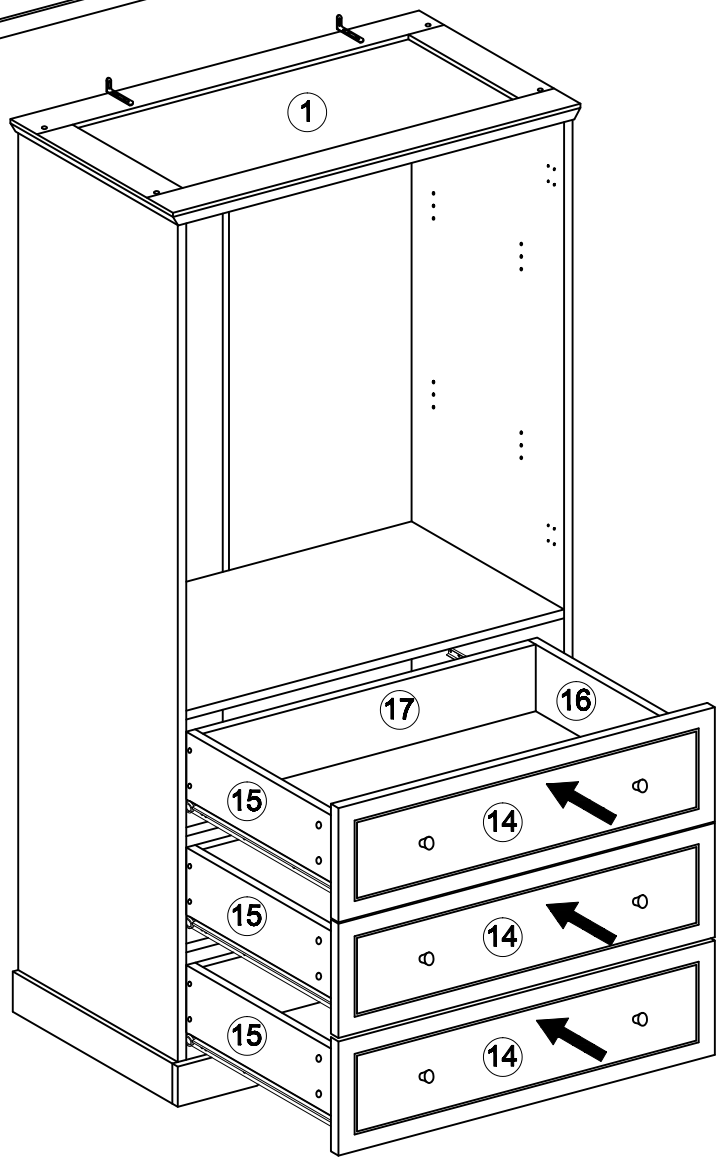


STEP 9

A x 12  Ø6 x 35mm	B x 12  Ø15 x 9.5mm	K x 6 	L x 6 	J x 12 	DL x 3 	DR x 3 	I x 12  Ø3.5 x 12mm
---	---	---	---	---	--	--	---



x 3



STEP10

H x 8



I x 8



Ø3.5 x12mm

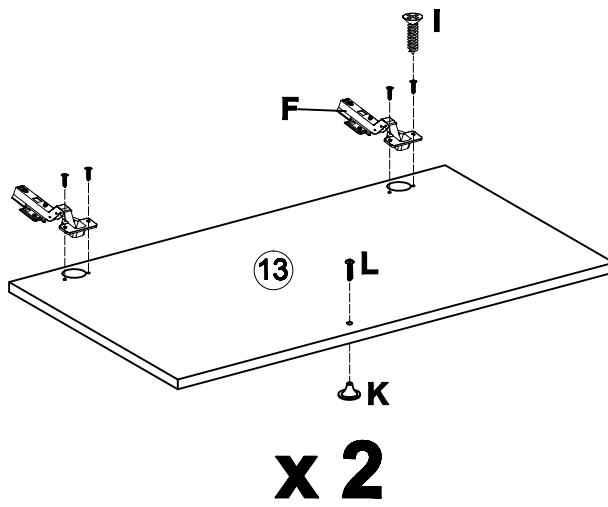
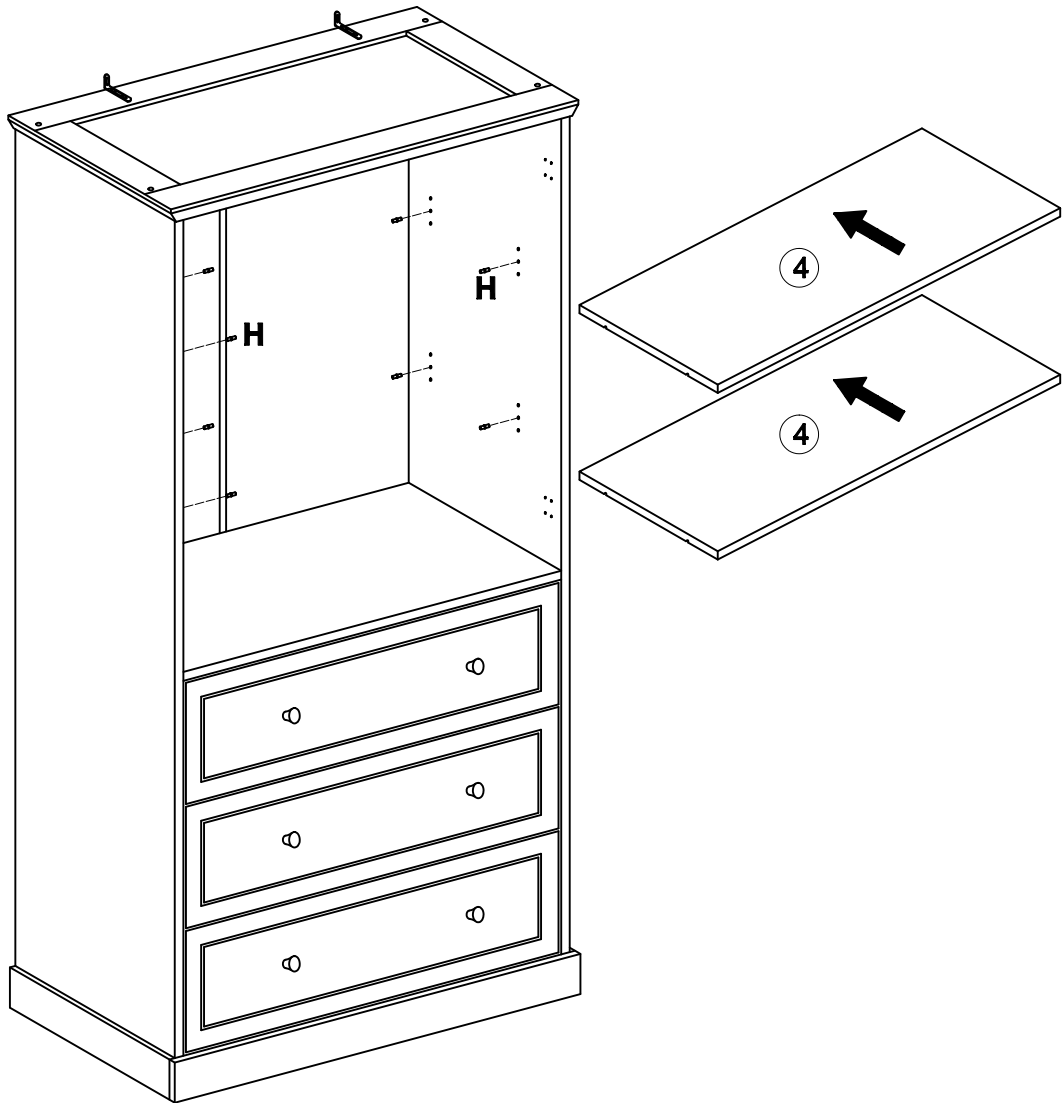
F x 4



K x 2



L x 2

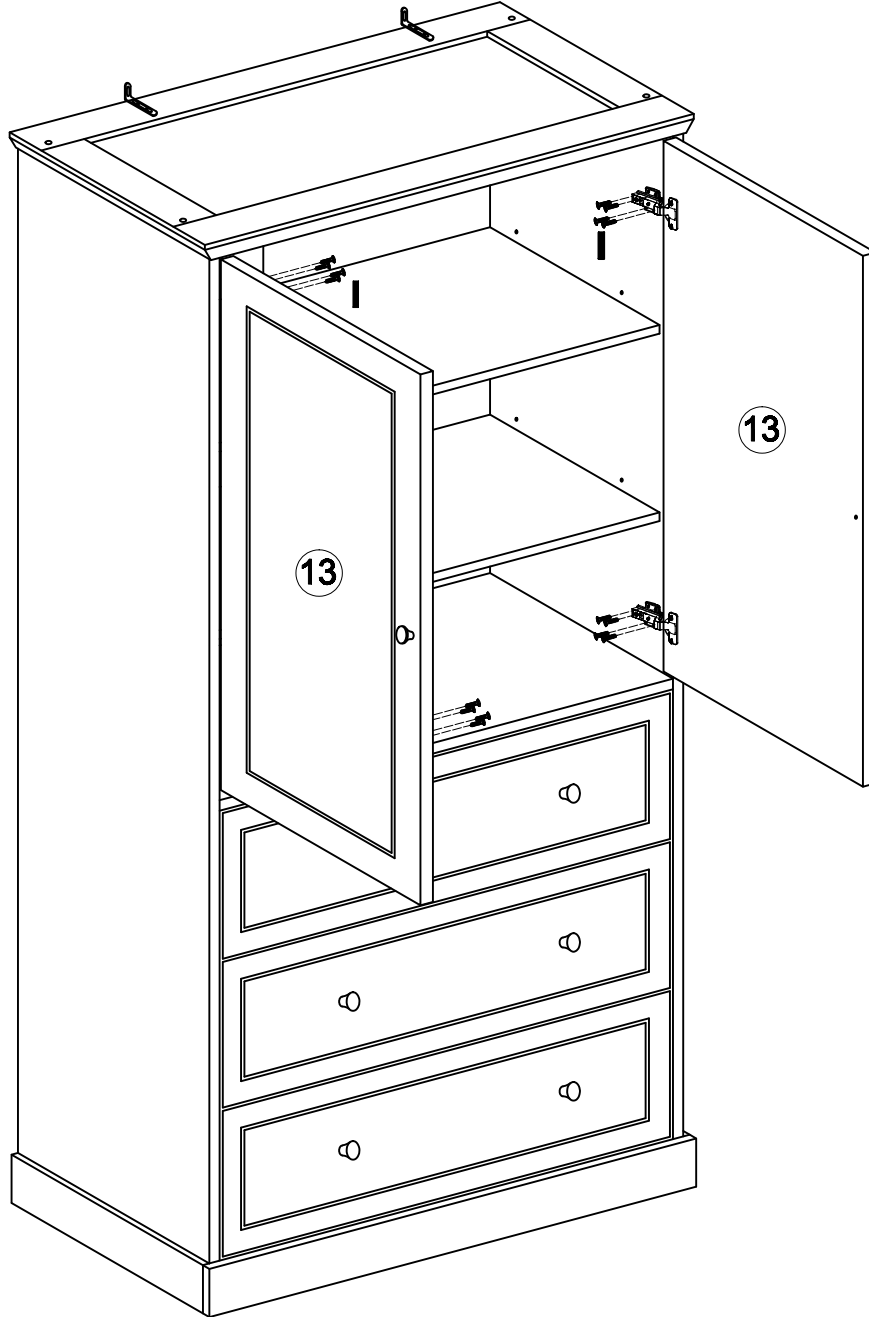


STEP 11

1 x 16



Ø3.5 x 12mm



STEP12

