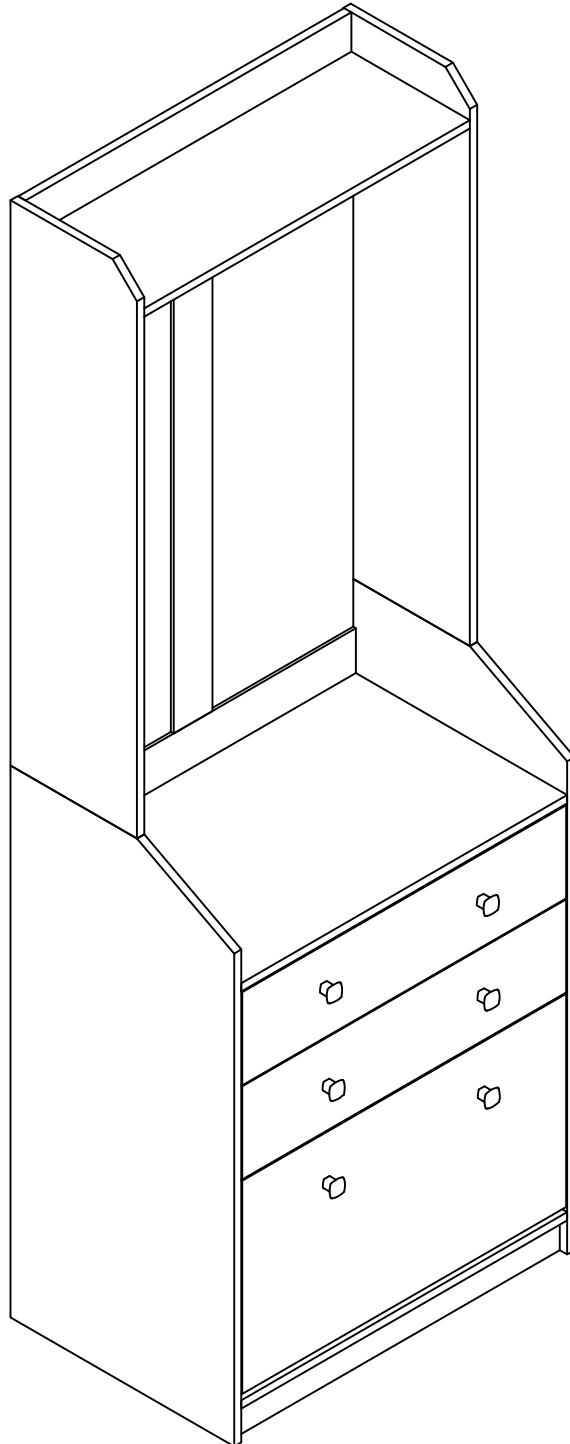


Hall Tree

Assembly Instructions -Please keep for future reference



Dimensions

Width-27.5inch

Depth-18.1inch

Height-78.3inch

Important -Please read these instructions fully before starting assembly



Safety and Care Advice

Important – Please read these instructions fully before starting assembly

- Check you have all the components and tools listed on the following pages.
- Remove all fittings from the plastic bags and separate them into their groups.
- Keep children and animals away from the work area, small parts could choke if swallowed.
- Make sure you have enough space to layout the parts before starting.

- During assembly do not stand or put weight on the product, this could cause damage.
- Assemble the item as close to its final position (in the same room) as possible.
- Assemble on a soft level surface to avoid damaging the unit or your floor.
- Parts of the assembly will be easier with 2 people.



power drill is set on a low torque setting.

- To reduce the likelihood of damaging your product please ensure that your

Care and maintenance

- Only clean using a damp cloth and mild detergent, do not use bleach or abrasive cleaners.
- From time to time check that there are no loose screws on this unit.
- This product should not be discarded with household waste. Take to your local authority waste disposal centre.

Handy Hints

- Assemble all parts and bolts loosely during assembly, only once the product is complete should you fully tighten the bolts
- Regularly check and ensure That all bolts and fittings are tightend properly.

WARNING
In order to help prevent overturning – please follow these instructions

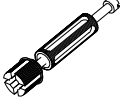

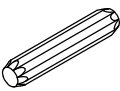
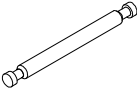






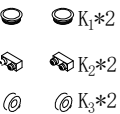




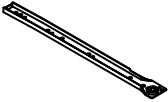
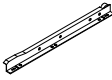
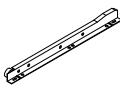
To help prevent product toppling over please follow the below steps:-

- Use the anti tip stap or wall fixing method provided (if applicable)
- Do not allow children to climb or hang on the furniture
- Do not open more than one drawer at a time
- Do not place heavy items in the top drawers
- Do not place heavy items on top of the furniture, unless the furniture has been designed for this purpose

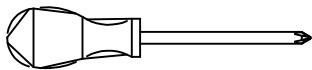
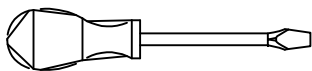
Components -Fittings

Please check you have all the panels listed below

Note: The quantities below are the correct amount to complete the assembly. In some cases more fittings may be supplied than are required.

 (A) Cam Bolt x 42	 (B) Cam lock x 50	 (C) Dowel x 22	 (D) Double end connecting rod x 4
 (E) 3.5*14mm Screw x 38	 (F) 3.5*35mm Screw x 12	 (G) Handle x 6	 (H) 4*18mm Screw x 6
 (I) Clothes hook x 4	 (J) Shoe rack x 1	 (K) Shoe rack attachment x 1 <small> • K₁*2 • K₂*2 • K₃*2 </small>	 (L) European screw x 2
 (M) Connecting iron x 2	 (N) 3*12mm Screw x 8	 (CL) 350mm runner x 2	 (CR) 350mm runner x 2
 (DL) 350mm runner x 2	 (DR) 350mm runner x 2		

Tools required

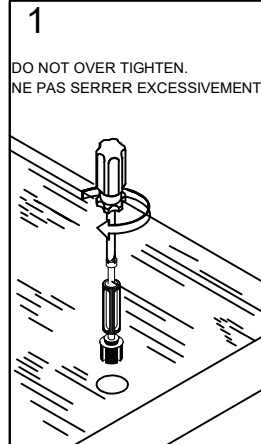


Phillips screwdriver
(medium & large)

Using Camlocks

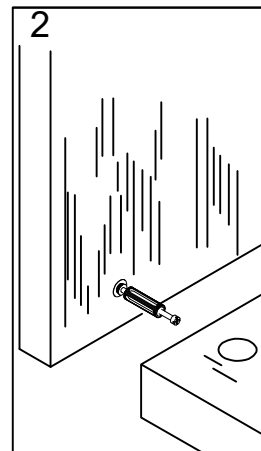
Step 1

Connect the male camlock as directed in the assembly instructions using a screwdriver.



Step 2

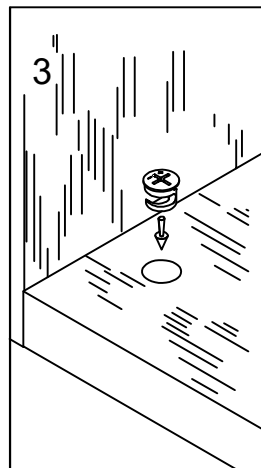
Push the male camlock into the entry hole.



Step 3

Insert the female camlock as shown in the instruction.

Note: ensure that the arrow on the top of the camlock points towards the entry hole for the male camlock.

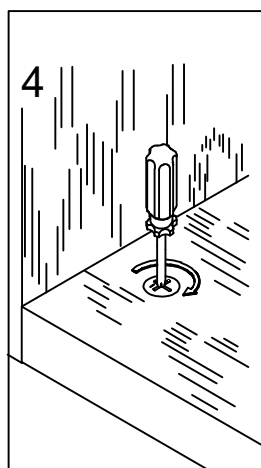


Step 4

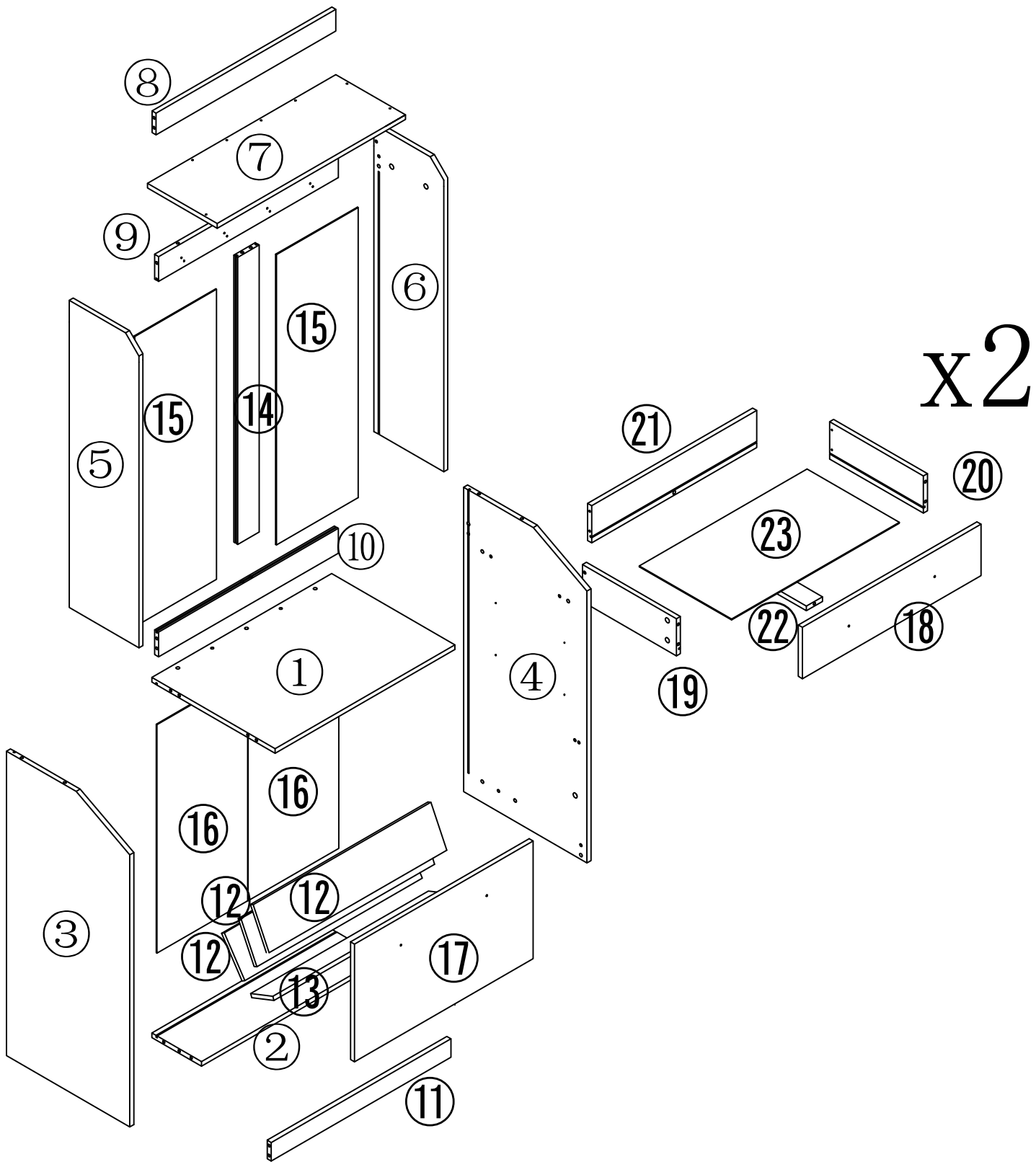
Turn the female camlock clockwise with a screwdriver.

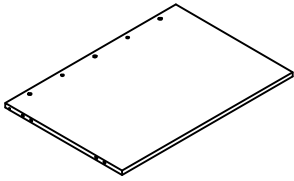
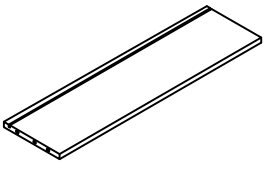

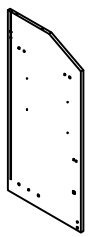

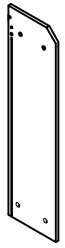
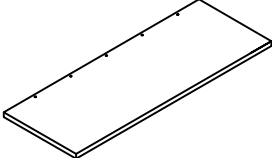
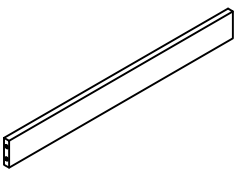
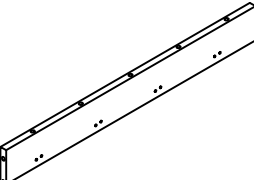
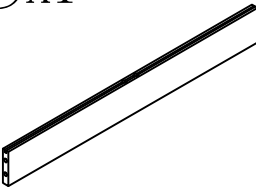
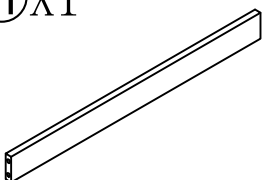
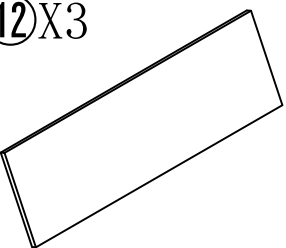
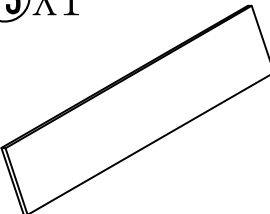

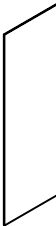

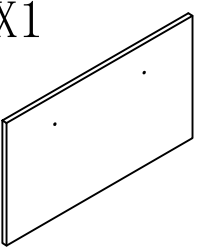
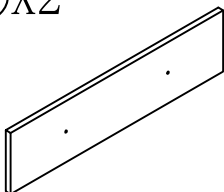
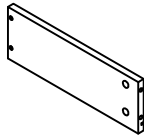
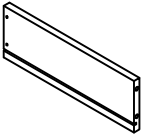
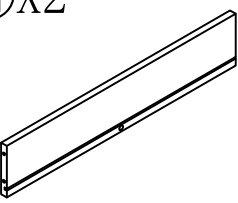
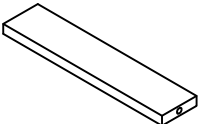
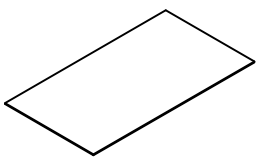
You should feel a click when the camlock is locked in place.

The joint is now secure.



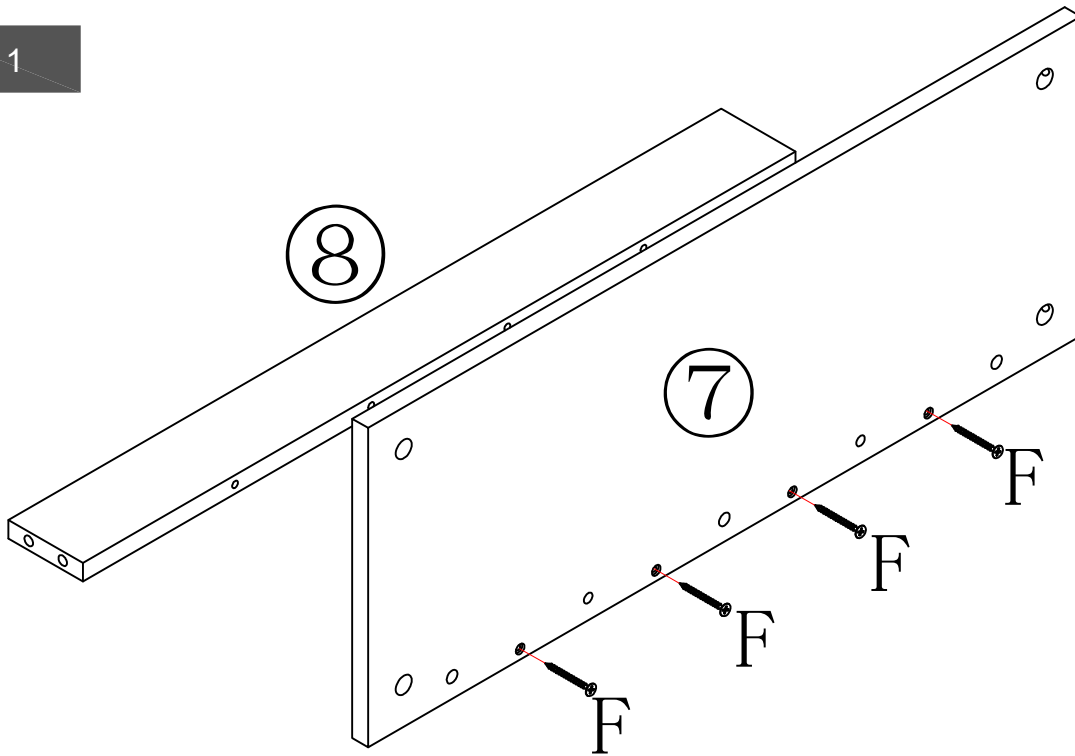
Assembly Instructions



<p>①X1</p>  <p>670*460*15mm</p>	<p>②X1</p>  <p>670*200*15mm</p>	<p>③X1</p>  <p>983*460*15mm</p>	<p>④X1</p>  <p>983*460*15mm</p>
<p>⑤X1</p>  <p>1007*260*15mm</p>	<p>⑥X1</p>  <p>1007*260*15mm</p>	<p>⑦X1</p>  <p>670*260*15mm</p>	<p>⑧X1</p>  <p>670*70*15mm</p>
<p>⑨X1</p>  <p>670*80*15mm</p>	<p>⑩X1</p>  <p>670*80*15mm</p>	<p>⑪X1</p>  <p>670*80*15mm</p>	<p>⑫X3</p>  <p>660*140*12mm</p>
<p>⑬X1</p>  <p>660*90*12mm</p>	<p>⑭X1</p>  <p>897*80*15mm</p>	<p>⑮X2</p>  <p>907*305*3mm</p>	<p>⑯X2</p>  <p>738*340*3mm</p>
<p>⑰X1</p>  <p>666*388*15mm</p>	<p>⑱X2</p>  <p>666*166*15mm</p>	<p>⑲X2</p>  <p>350*120*15mm</p>	<p>⑳X2</p>  <p>350*120*15mm</p>
<p>㉑X2</p>  <p>615*120*15mm</p>	<p>㉒X2</p>  <p>334*60*15mm</p>	<p>㉓X2</p>  <p>625*344*3mm</p>	

Assembly Instructions

Step 1

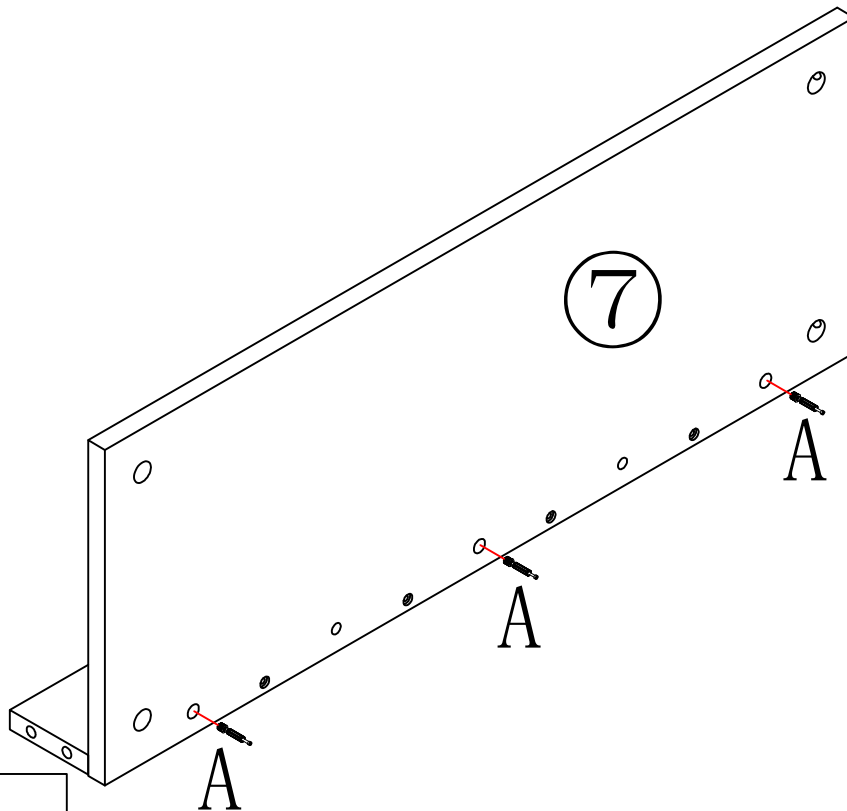


F

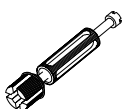


3.5*35mm Screw x 4

Step 2



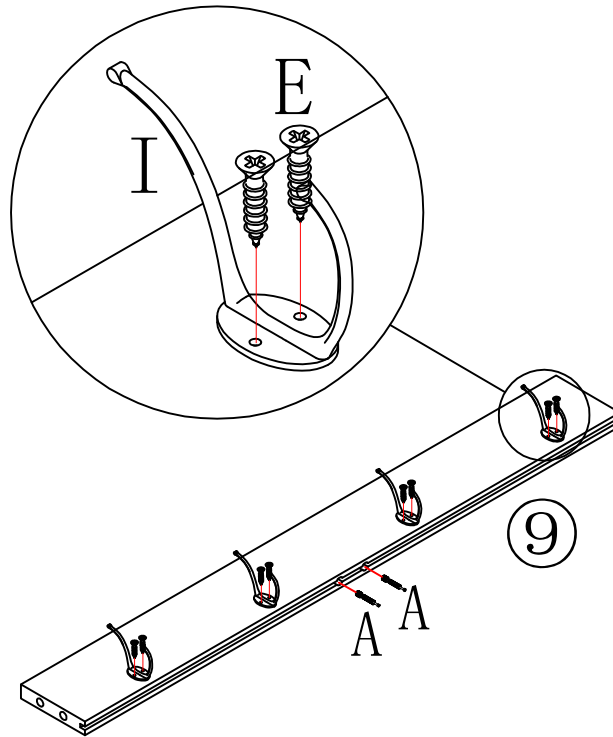
A



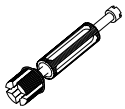
Cam Bolt x 3

Assembly Instructions

Step 3



(A)



Cam Bolt x 2

(E)



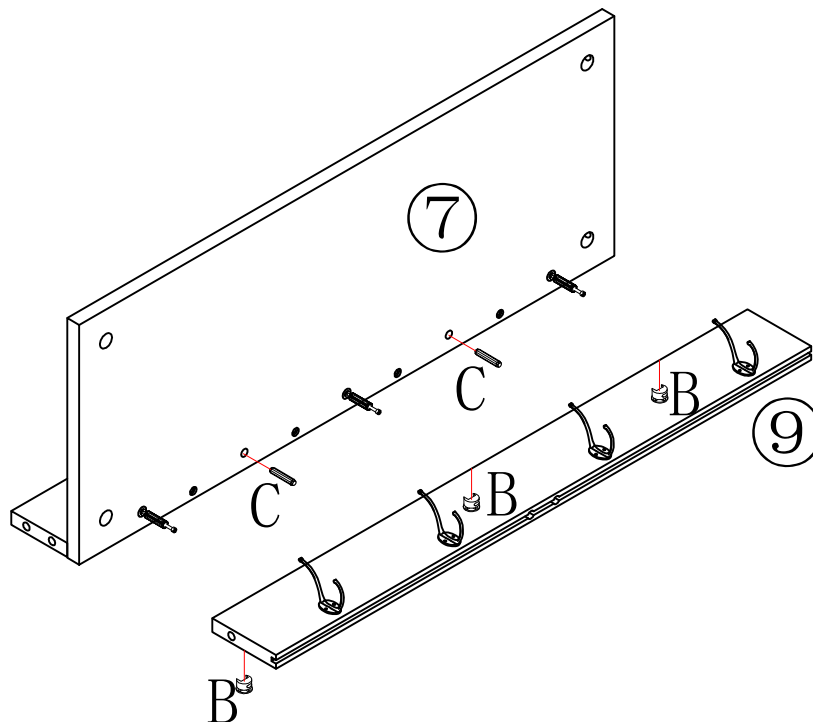
3.5*14mm Screw x 8

(I)



Clothes hook x 4

Step 4

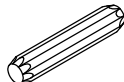


(B)



Cam lock x 3

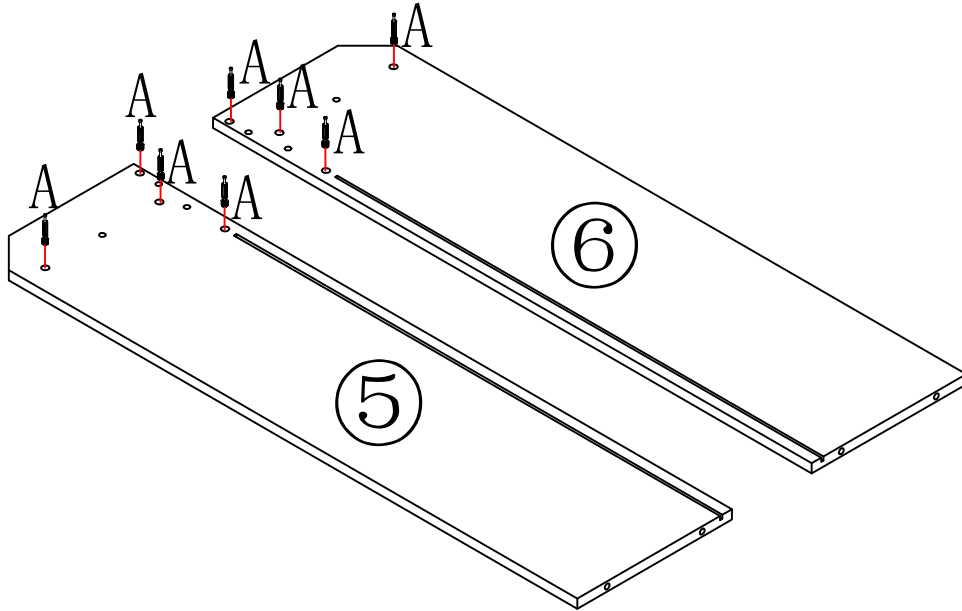
(C)



Dowel x 2

Assembly Instructions

Step 5

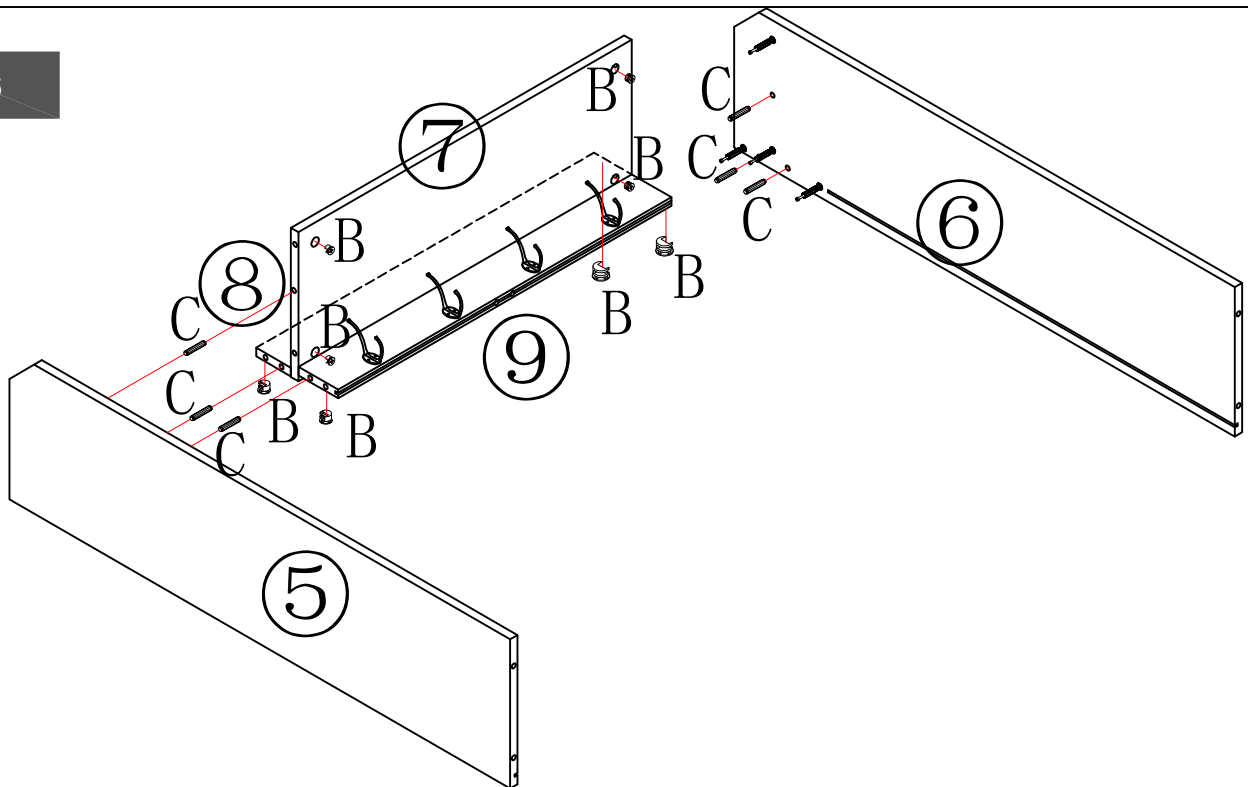


A



Cam Bolt x 8

Step 6

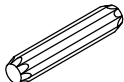


B



Cam lock x 8

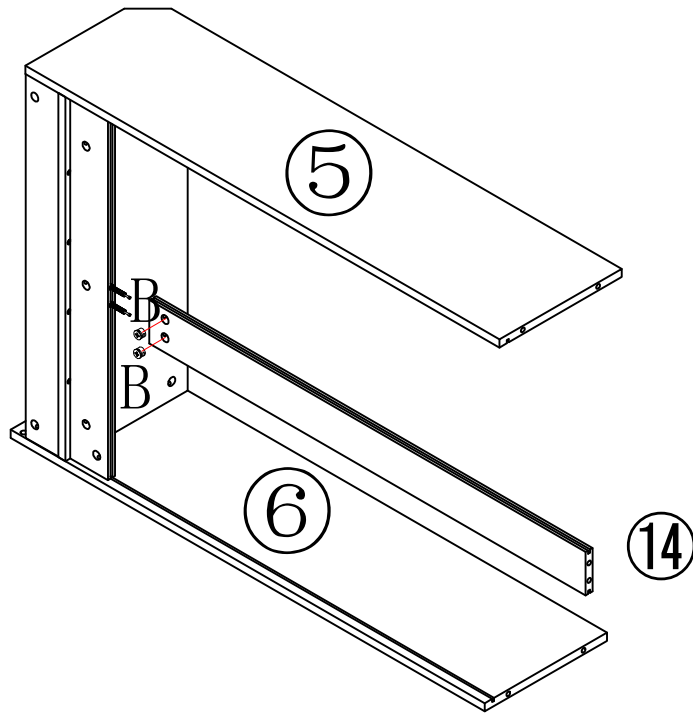
C



Dowel x 6

Assembly Instructions

Step 7

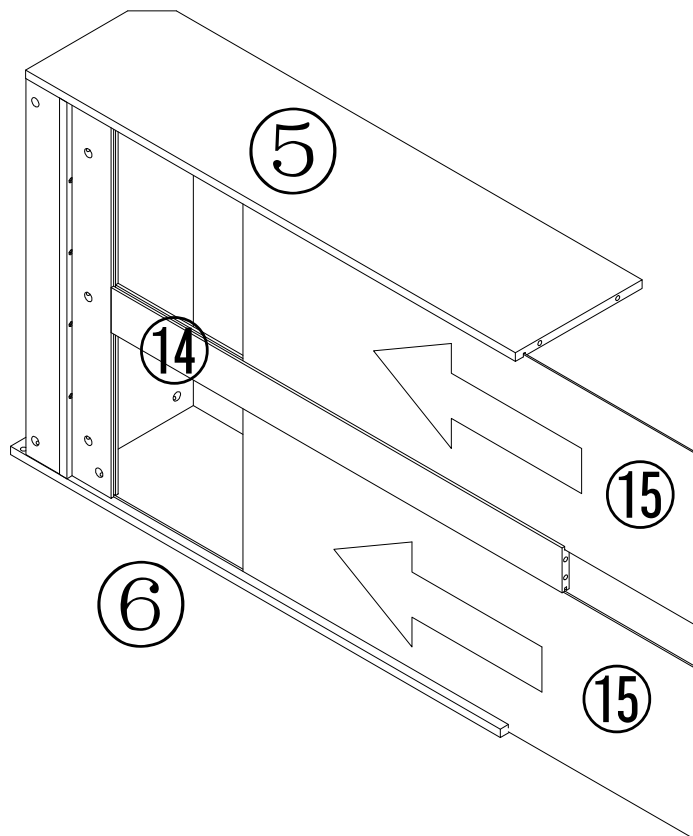


(B)



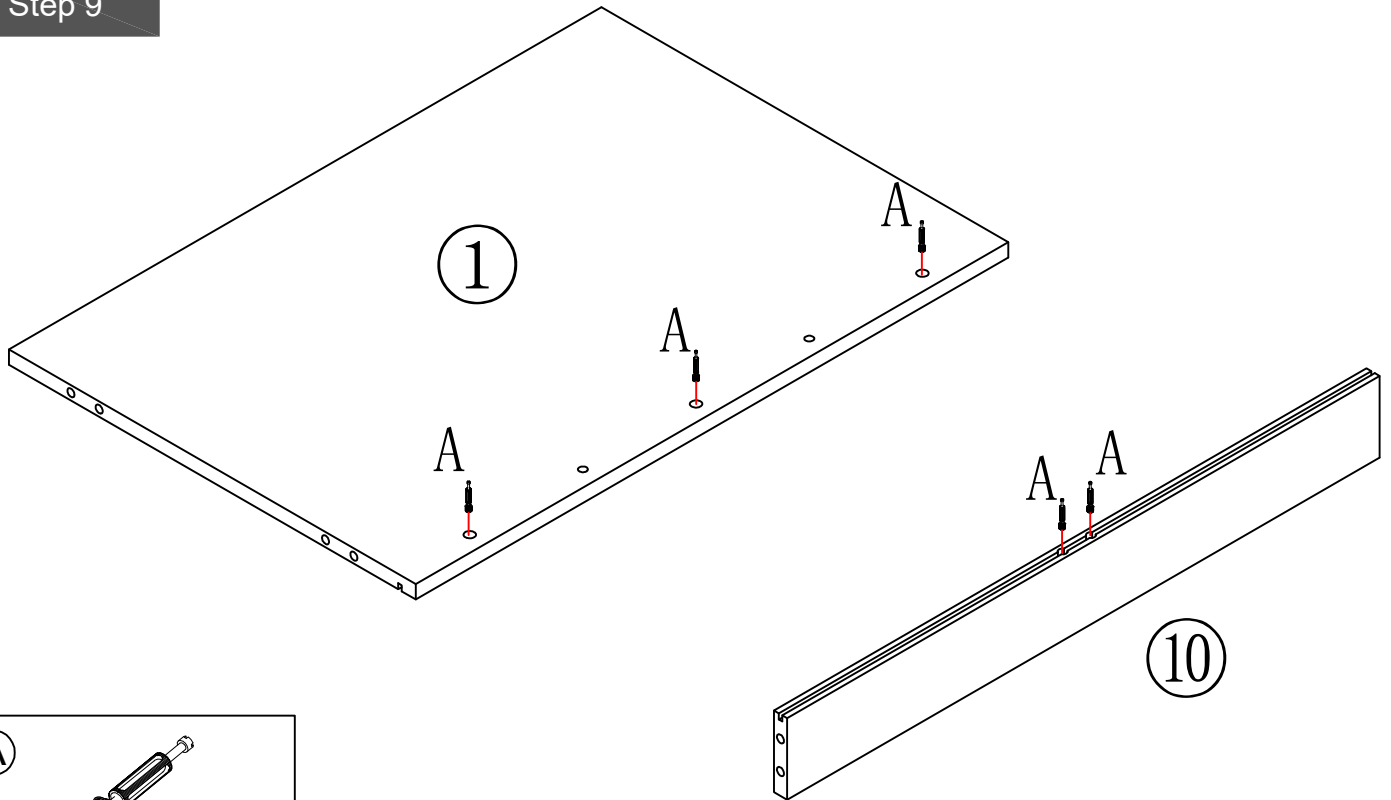
Cam lock x 2

Step 8

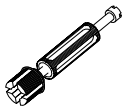


Assembly Instructions

Step 9

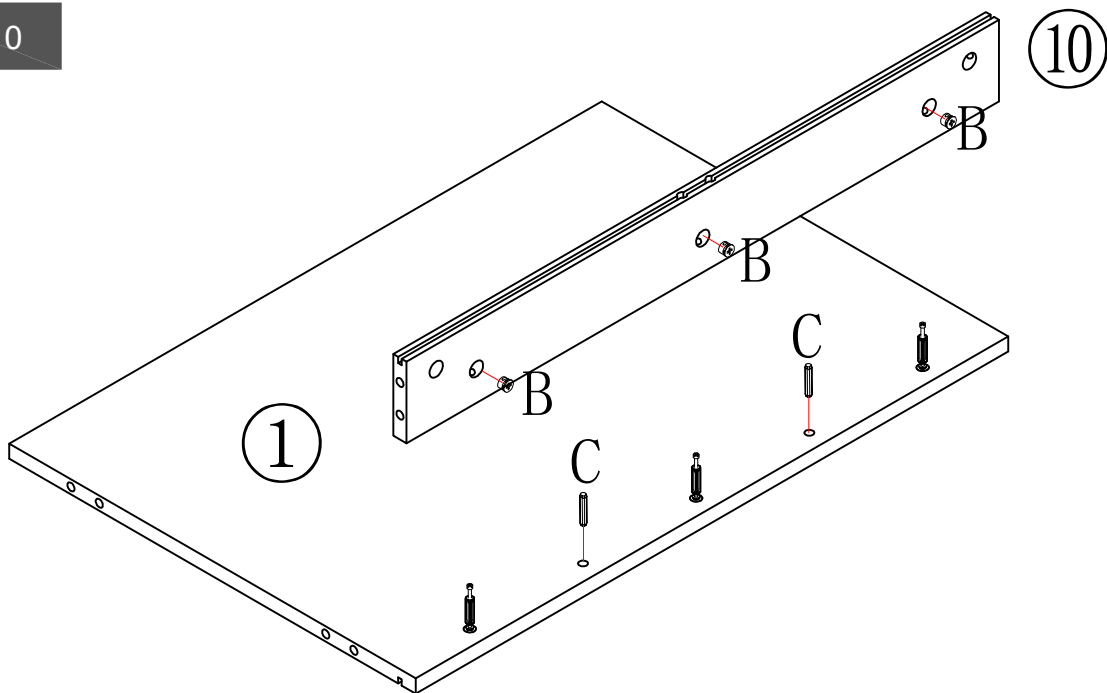


(A)



Cam Bolt x 5

Step 10

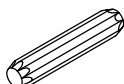


(B)



Cam lock x 3

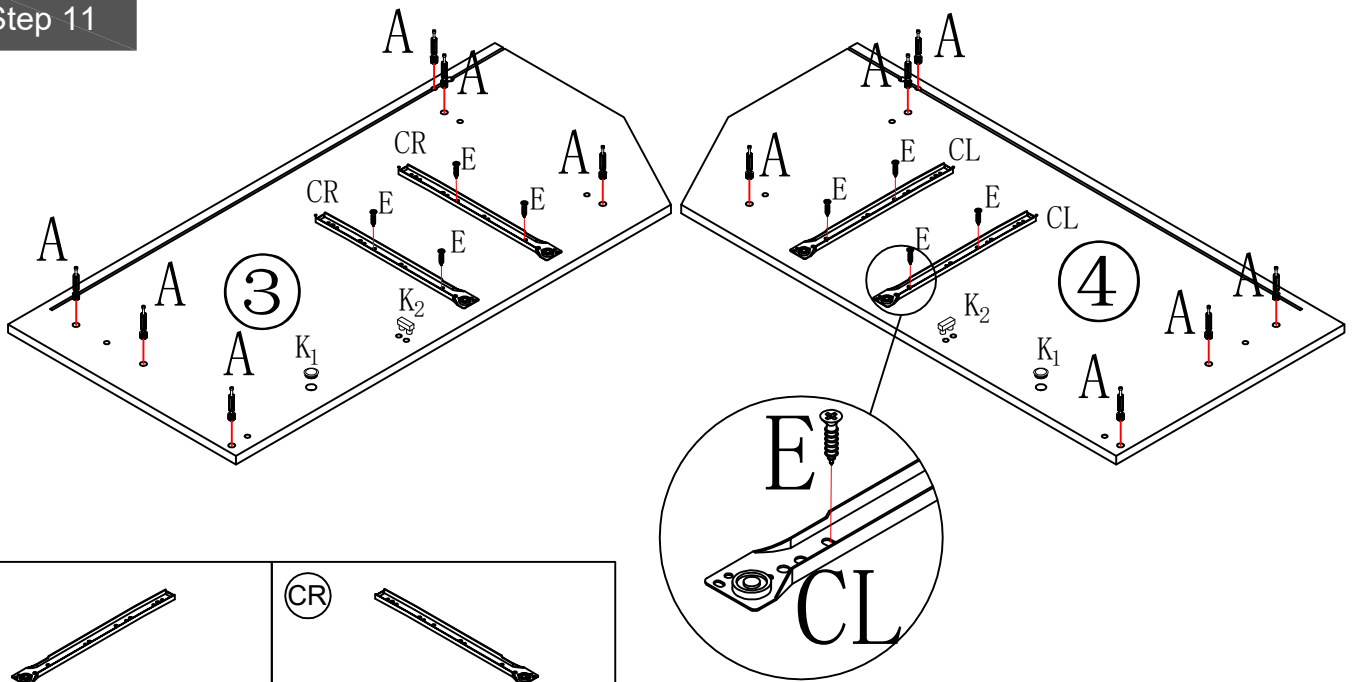
(C)

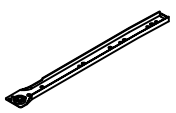
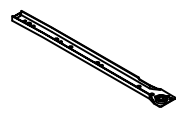


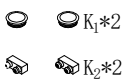


Dowel x 2

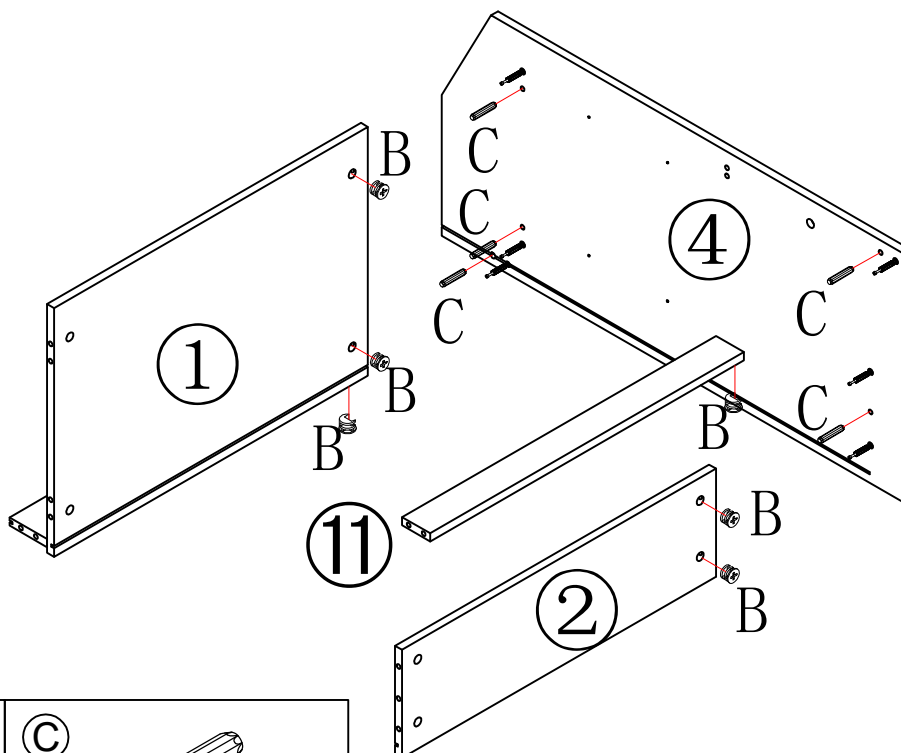
Assembly Instructions



Step 11



<p>(CL)</p>  <p>350mm runner x 2</p>	<p>(CR)</p>  <p>350mm runner x 2</p>	
<p>(A)</p>  <p>Cam Bolt x 12</p>	<p>(E)</p>  <p>3.5*14mm Screw x 8</p>	<p>(K)</p>  <p>Shoe rack attachment x 1</p>

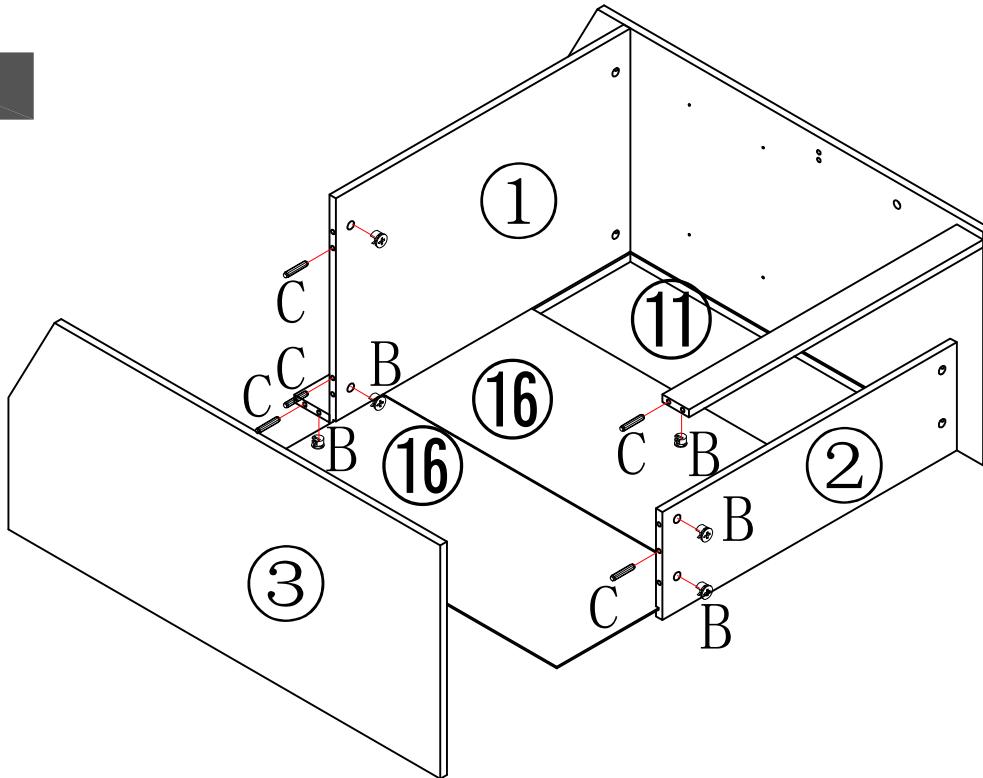
Step 12



<p>(B)</p>  <p>Cam lock x 6</p>	<p>(C)</p>  <p>Dowel x 5</p>
--	---

Assembly Instructions

Step 13

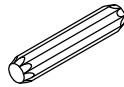


(B)



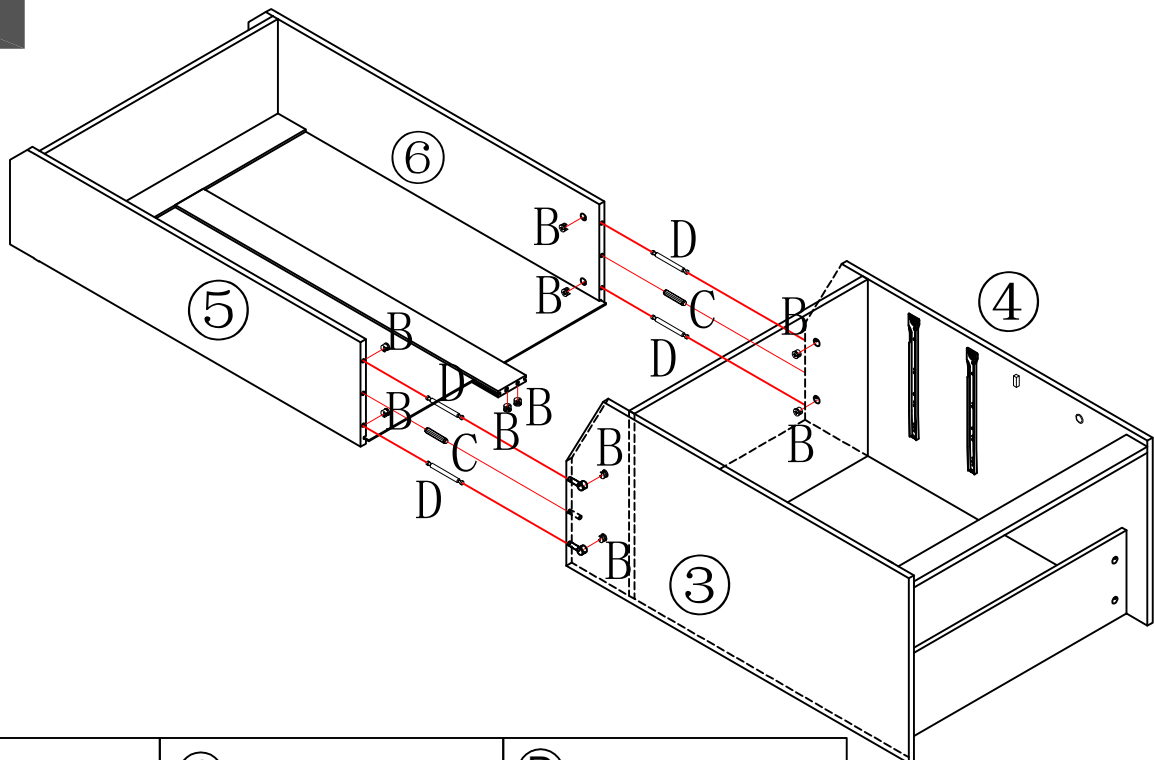
Cam lock x 6

(C)



Dowel x 5

Step 14

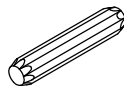


(B)



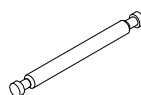
Cam lock x 10

(C)



Dowel x 2

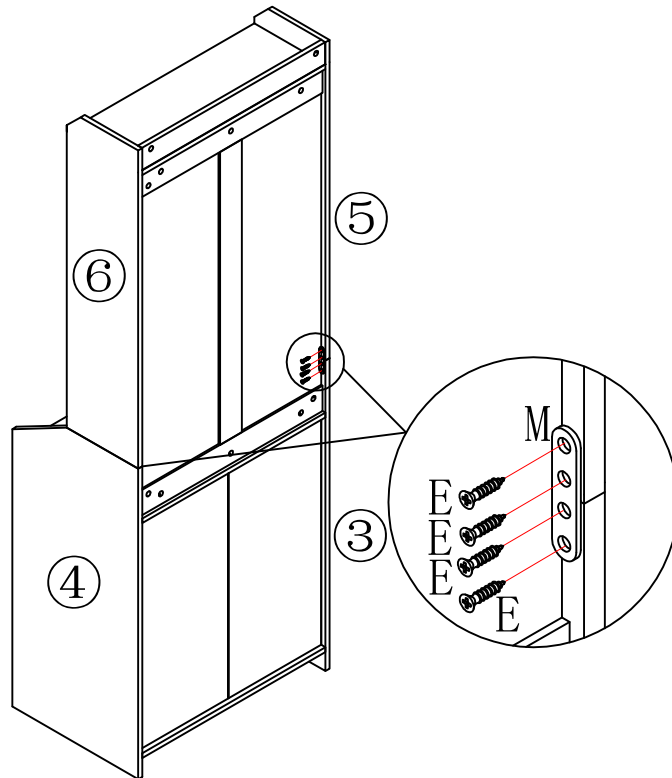
(D)



Double end connecting rod x 4

Assembly Instructions

Step 15

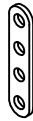


(E)



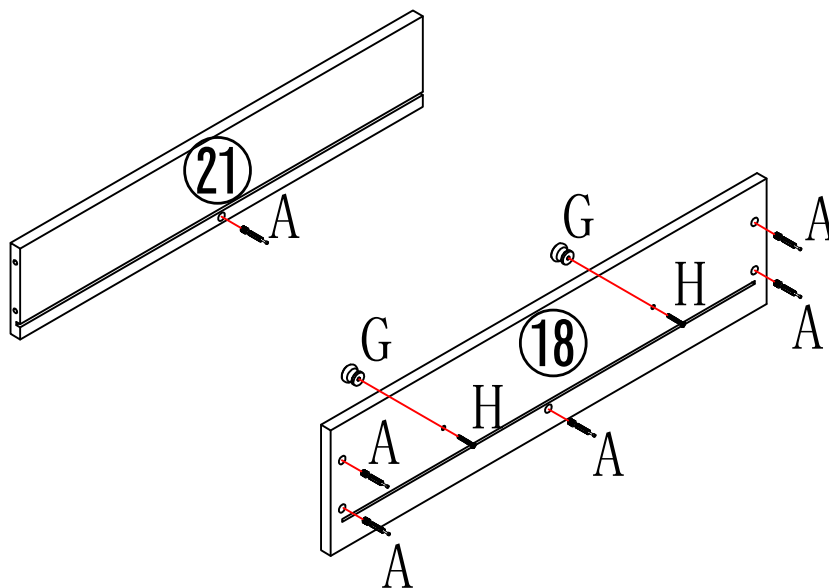
3.5*14mm Screw x 8

(M)



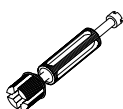
Connecting iron x 2

Step 16



X2

(A)



Cam Bolt x 12

(G)



Handle x 4

(H)

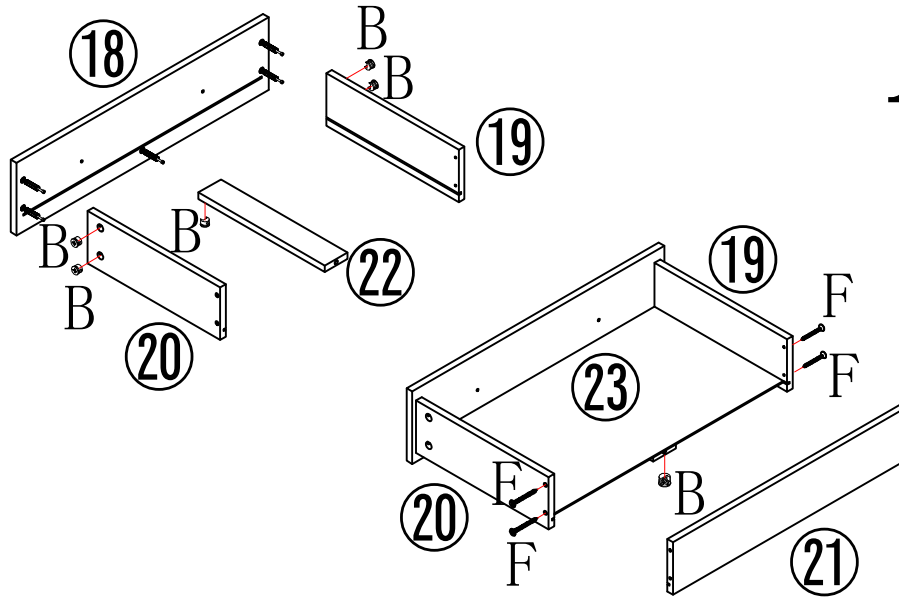


4*18mm Screw x 4

Assembly Instructions

Step 17

X2



(B)



Cam lock x 12

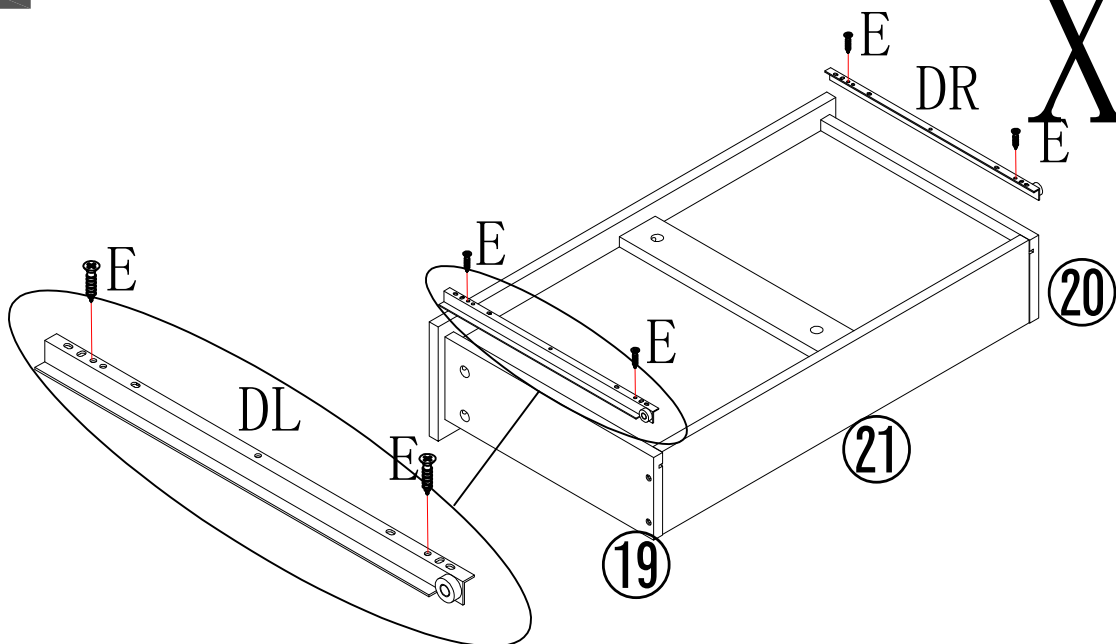
(F)



3.5*35mm Screw x 8

Step 18

X2

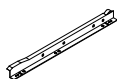


(E)



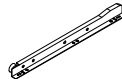
3.5*14mm Screw x 8

(DL)



350mm runner x 2

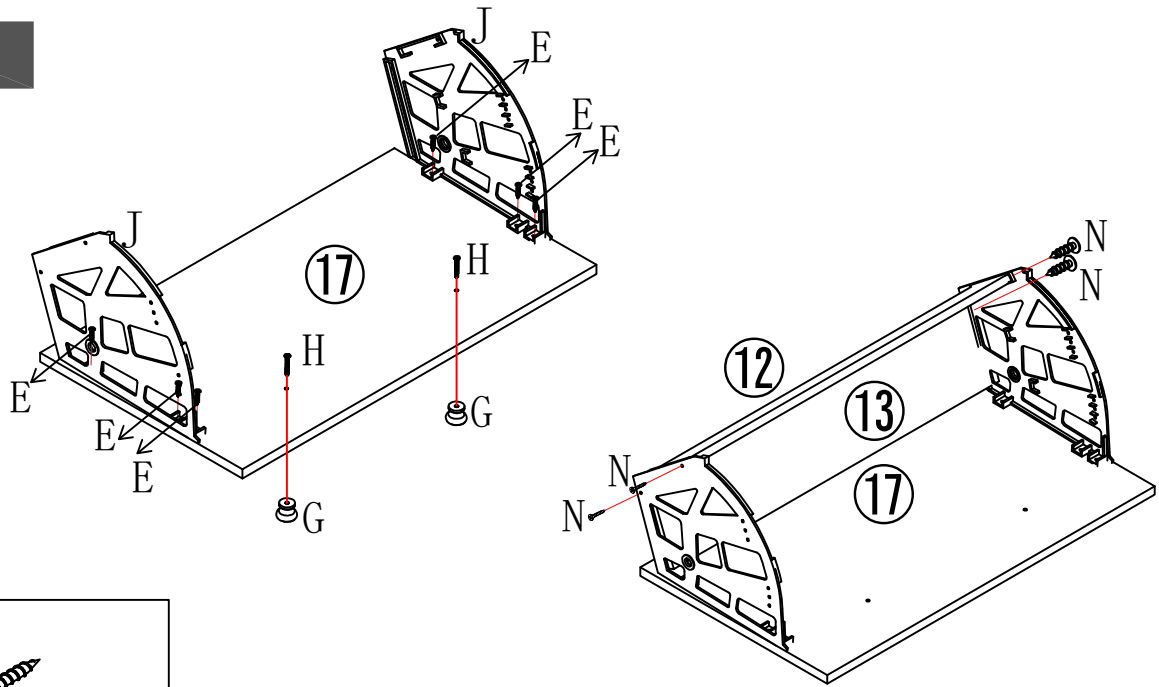
(DR)



350mm runner x 2

Assembly Instructions

Step 19



(N)



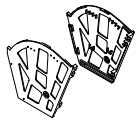
3*12mm Screw x 4

(E)



3.5*14mm Screw x 6

(J)



Shoe rack x 1

(G)



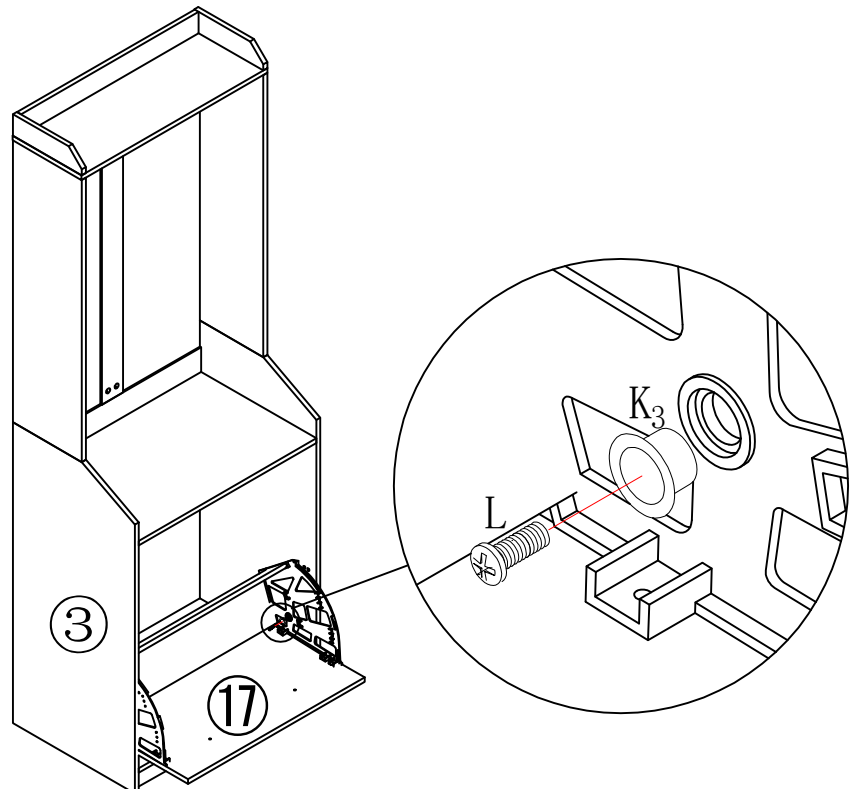
Handle x 2

(H)



4*18mm Screw x 2

Step 20



(K)



Shoe rack attachment x 1

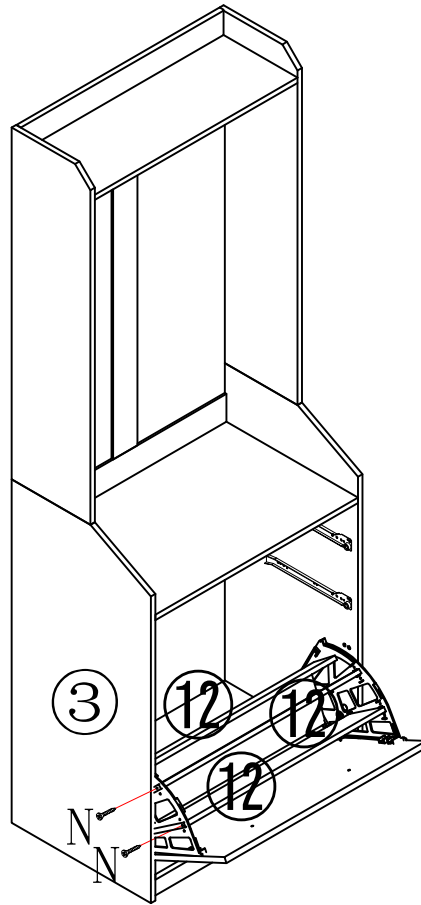
(L)



European screw x 2

Assembly Instructions

Step 21

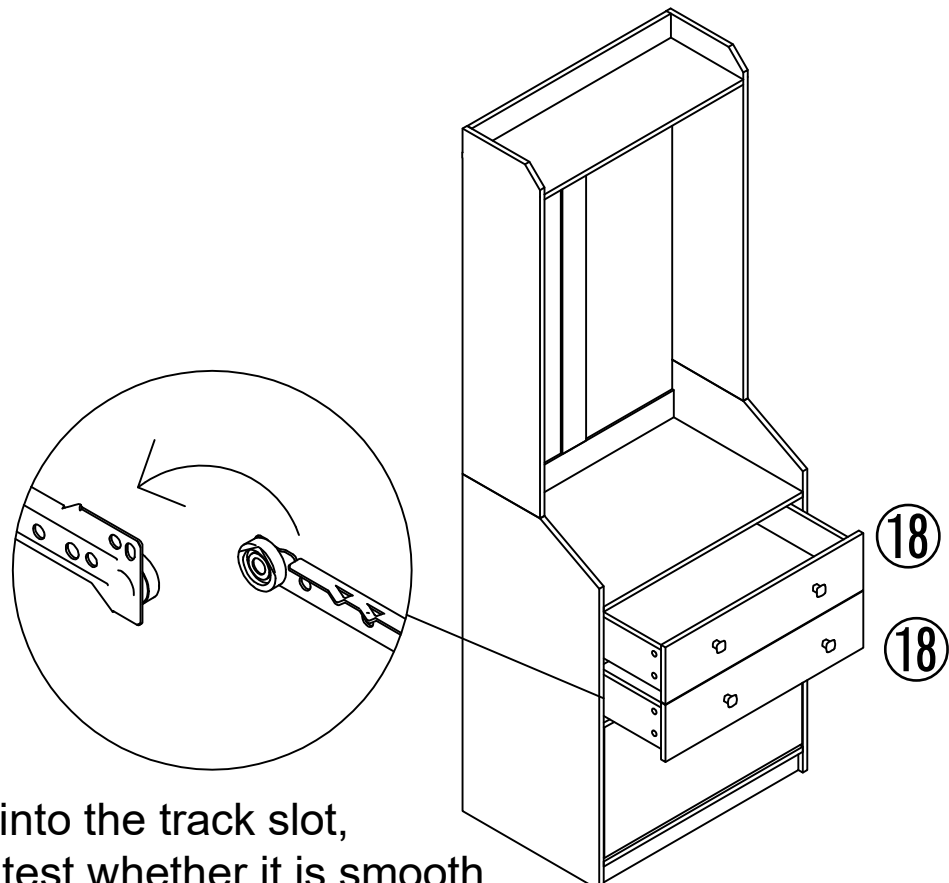


(N)



3*12mm Screw x 4

Step 22



Row the drawer into the track slot,
push and pull to test whether it is smooth.

Assembly Instructions

