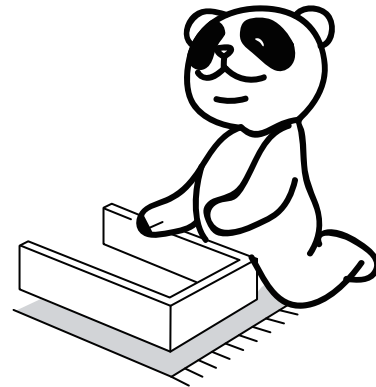
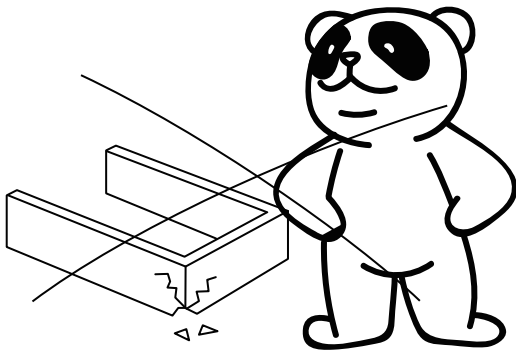
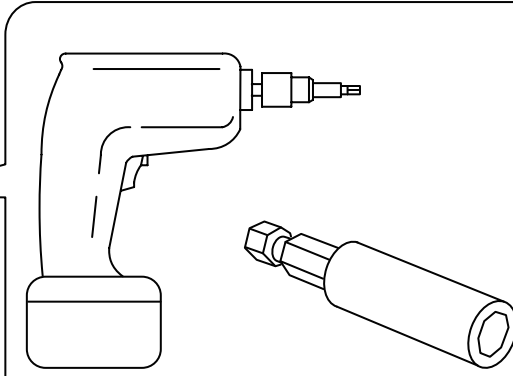


CAUTION:When tightening the screws,tighten sequentially.
Do not tighten any screws fully and then towards the next one.
When every part is OK,then tighten all the screws.

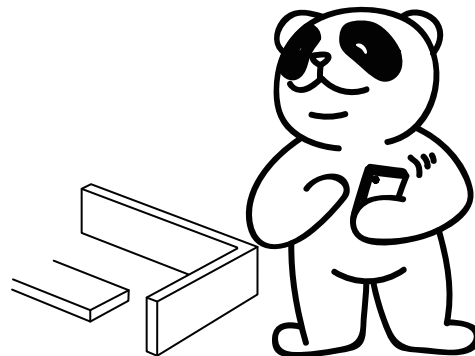
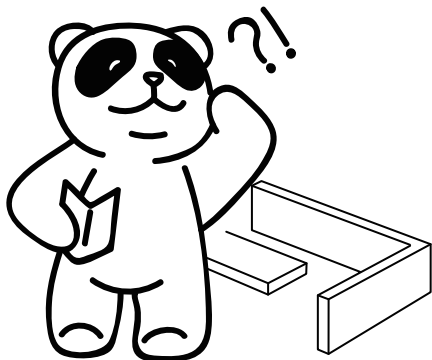
Installation & Assembly



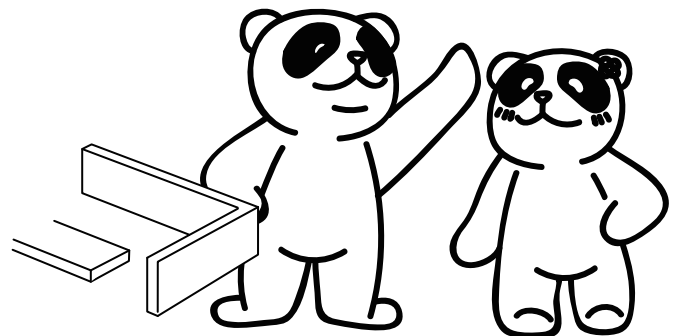
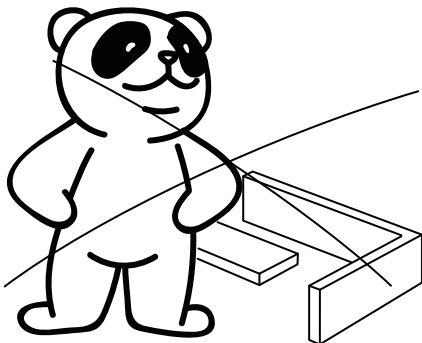
Version : 1.0



Violent installation is prohibited

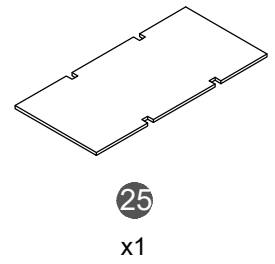
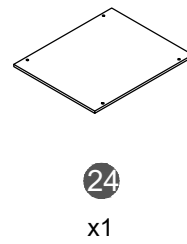
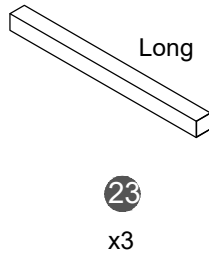
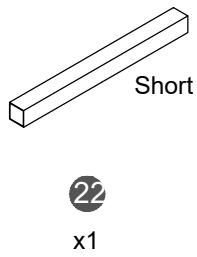
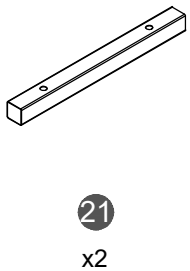
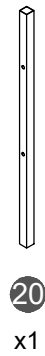
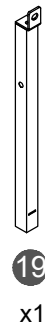
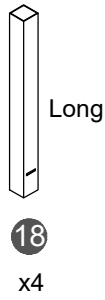
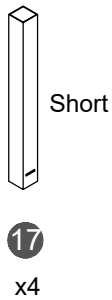
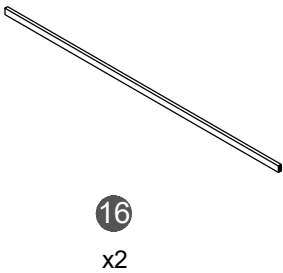
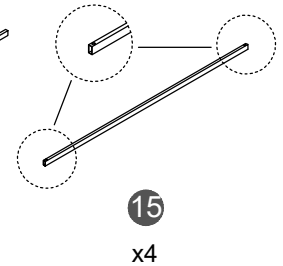
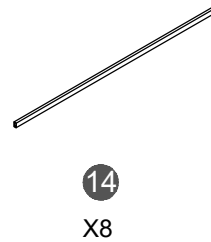
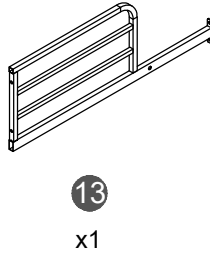
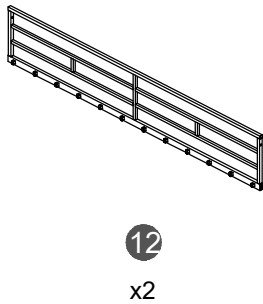
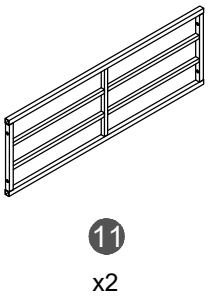
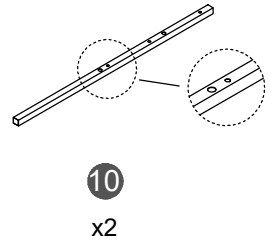
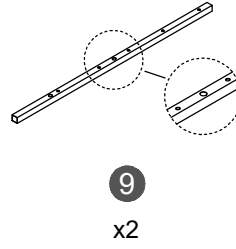
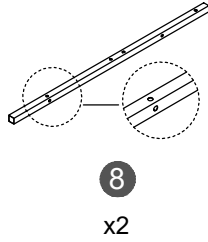
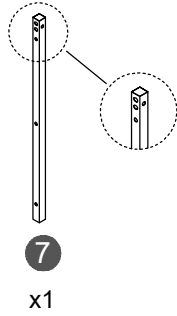
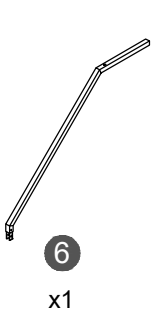
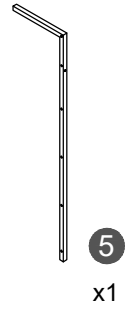
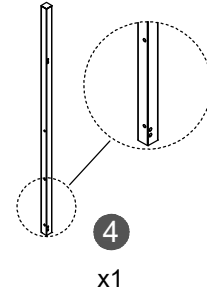
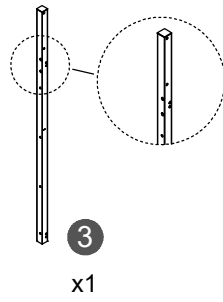
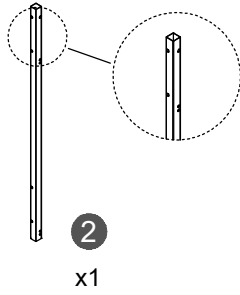
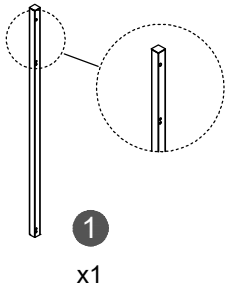


Please call if you need help

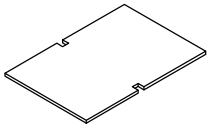


Multi-person cooperation is recommended

Assembly Instruction

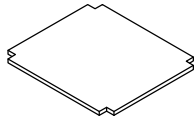


Assembly Instruction



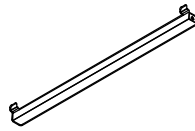
26

x1



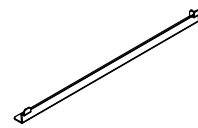
27

x1



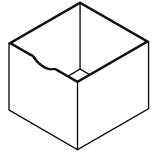
28

x3



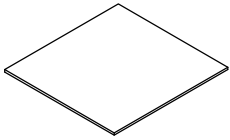
29

x3



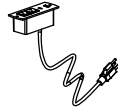
30

x3



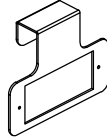
31

x3



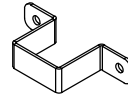
32

x1



33

x1



34

x2

Hardware parts 1



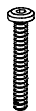
A

M8*35
x14



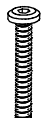
B

M6*40
x24



C

M6*60
x9



D

M8*60
x16



E

M8*15
x3



F

M6*20
x12



G

M5*25
x8



H

M6*18
x4



I

M6*12
x3



J

M4*12
x2



K

Ø8*40
x4



L

M5*30
x4



M

x1



N

S4
x1



O

M5*12
x1

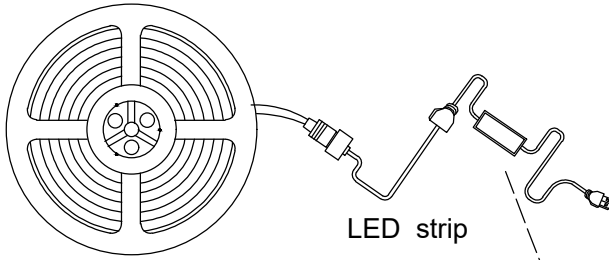


P

M6*35
x14

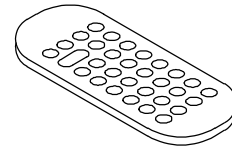
Assembly Instruction

LED light strip electronic accessories list

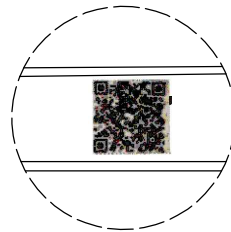


x1
light bar

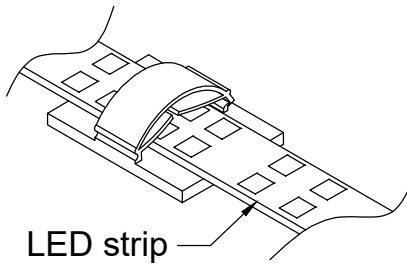
LED strip



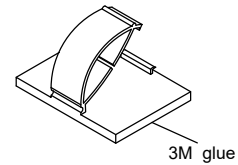
x1
Remote control



There is a two-dimensional code at the position of the power line. Scanning can download the APP for the control light

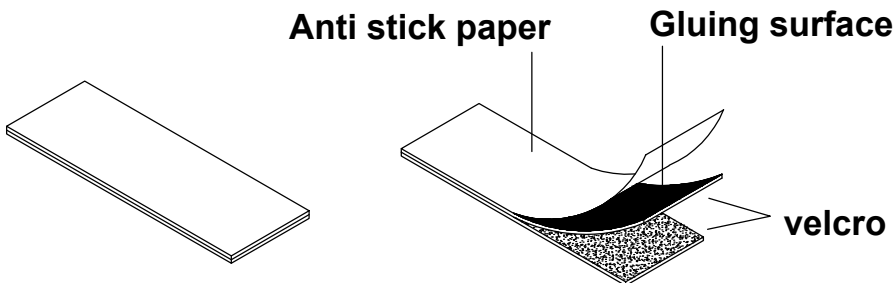


LED strip



3M glue

x5
LED strip with clips

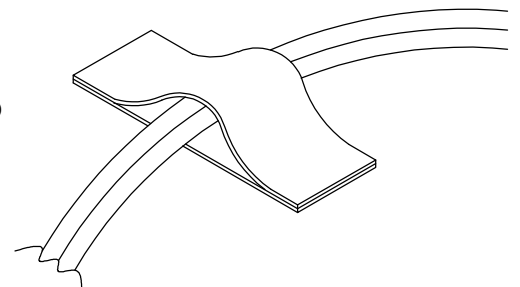


Anti stick paper

Gluing surface

velcro

When the wires are disordered, tear off the anti stick paper, paste it on the place where the wires pass, and then bind the wires.

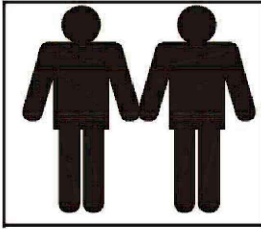


x2
Thread embedding buckle

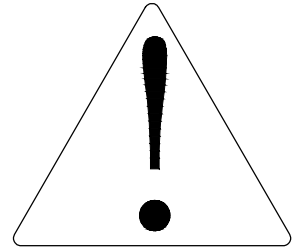
Assembly Instruction

Note:

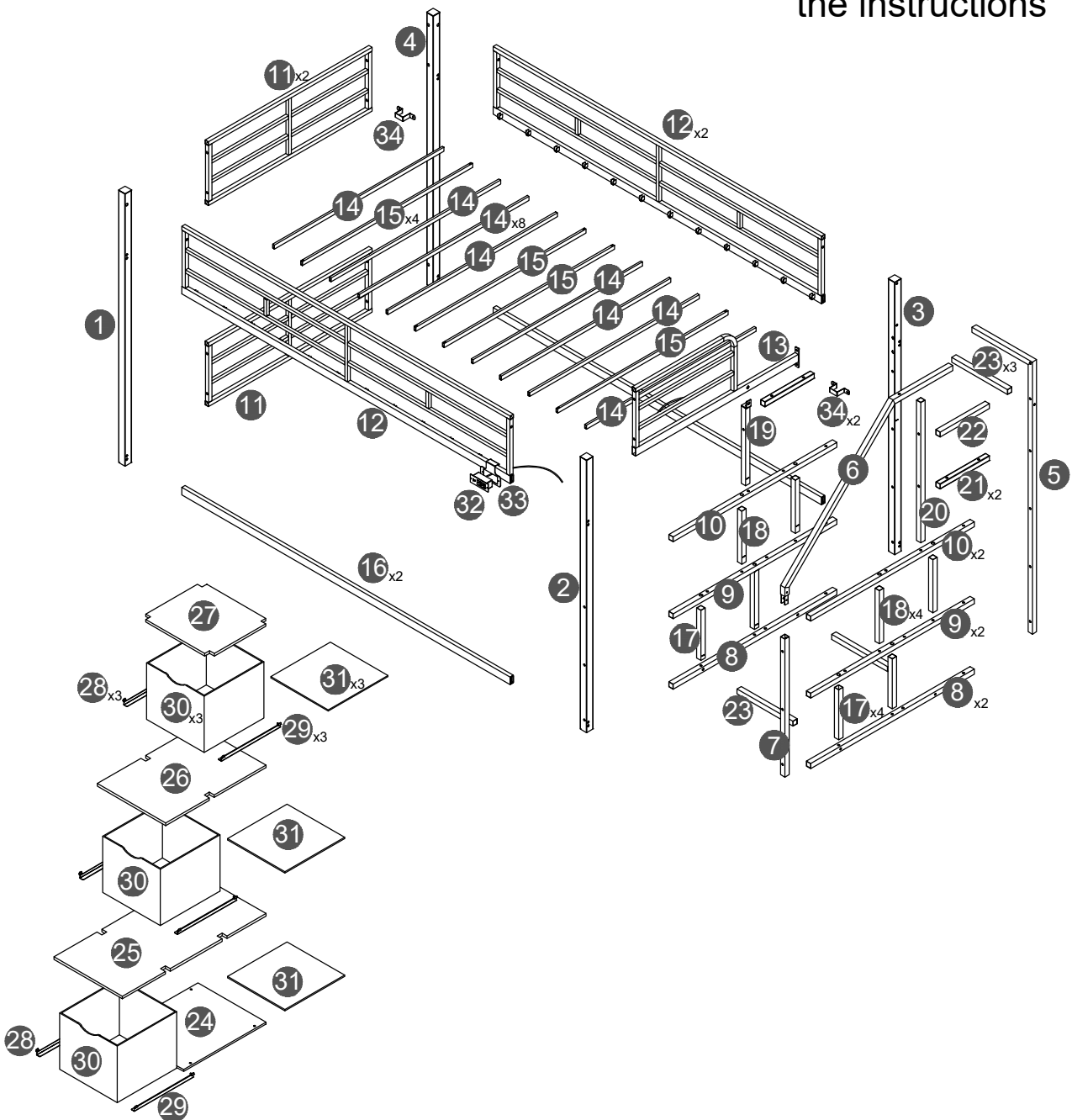
1. should be assembled on flat ground to keep balance.
2. Before completing the installation, do not tighten the screws.



It needs at least two people to install.

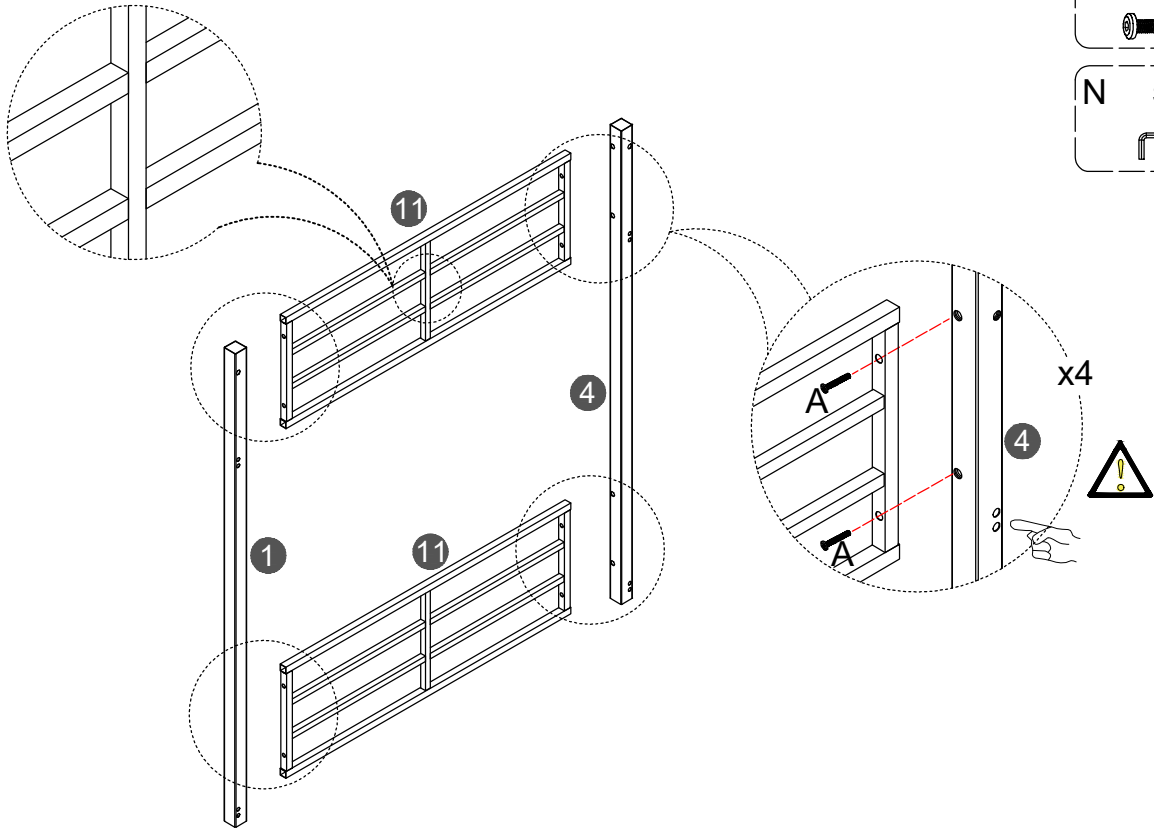


Before starting the assembly, you must read the whole manual and follow the instructions

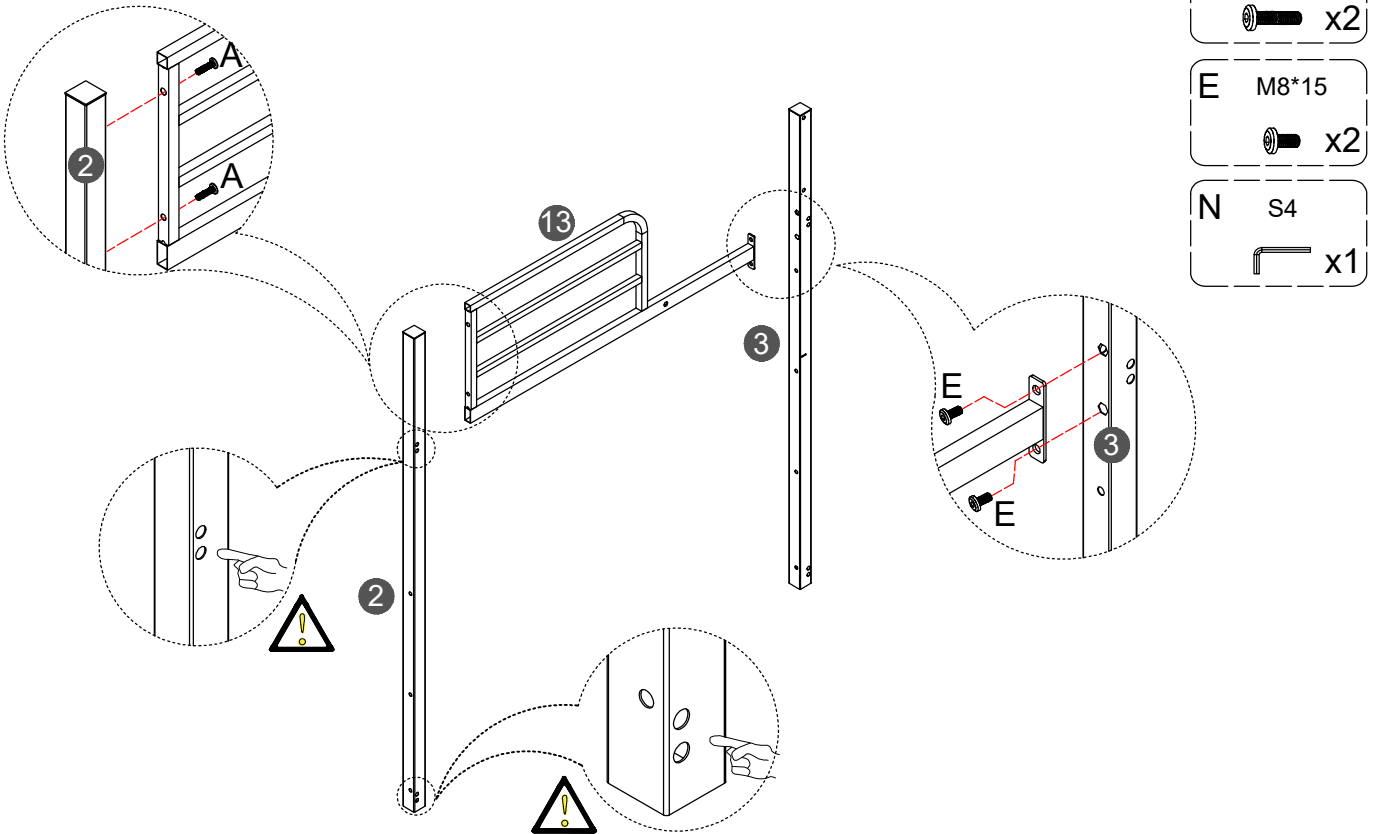


Assembly Instruction

1




2

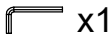


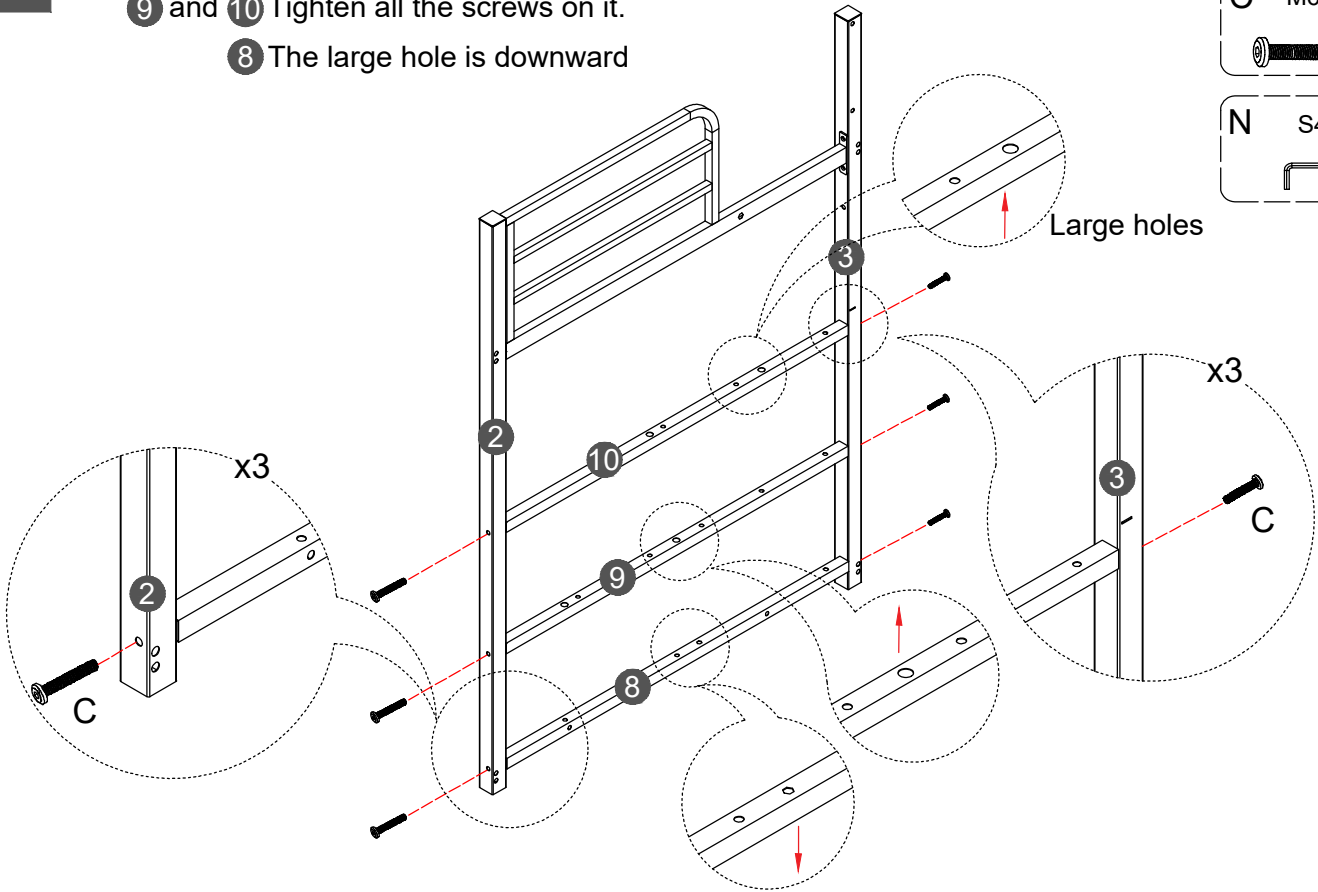
Assembly Instruction

3


- 9 and 10 Tighten all the screws on it.
- 8 The large hole is downward


C M6*60
 x6


N S4
 x1

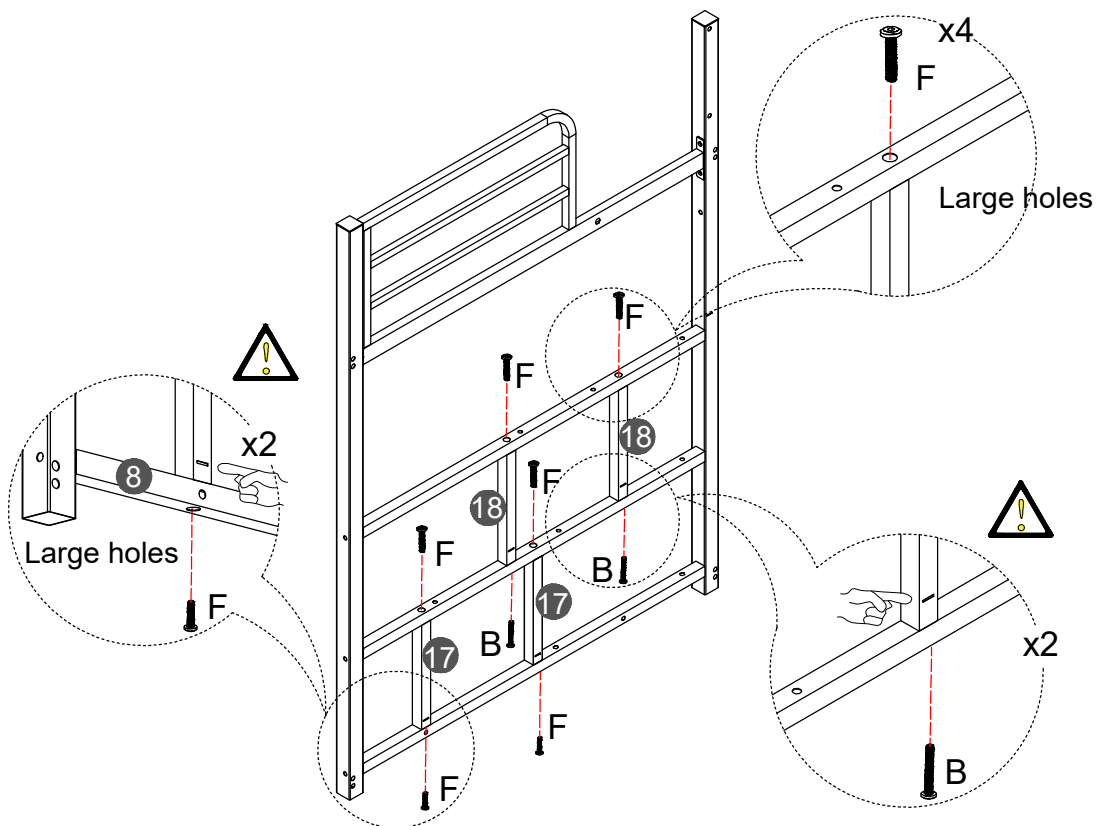


4

B M6*40
 x2

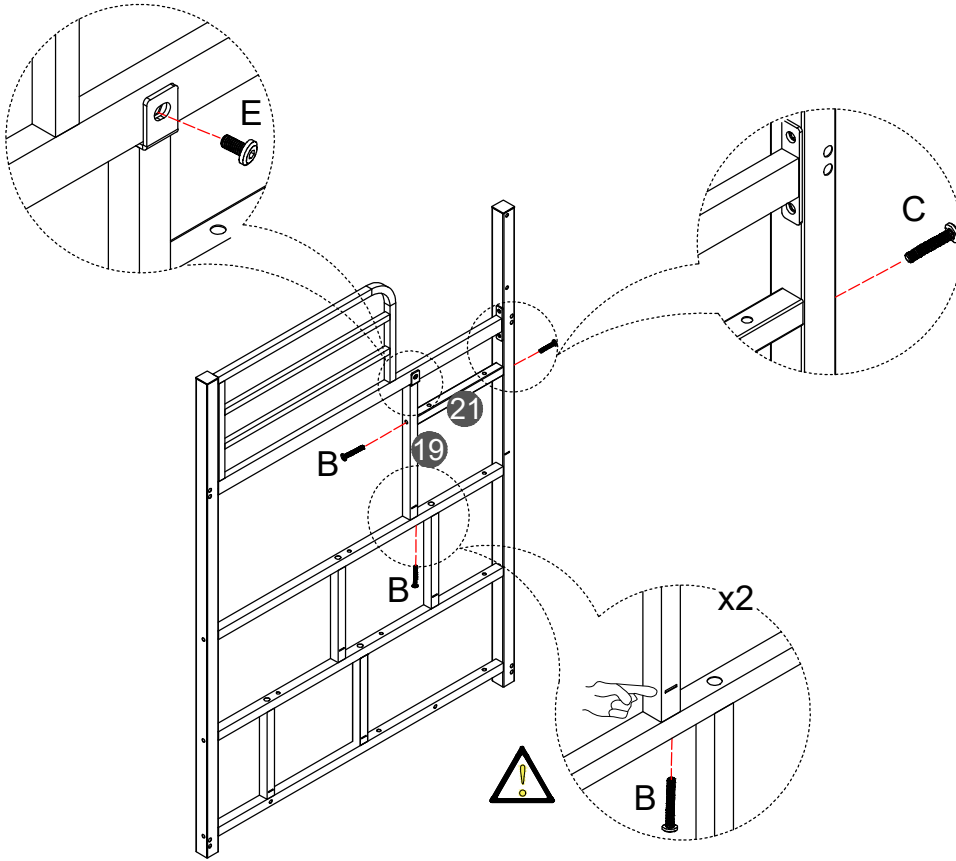
F M6*20
 x6

N S4
 x1



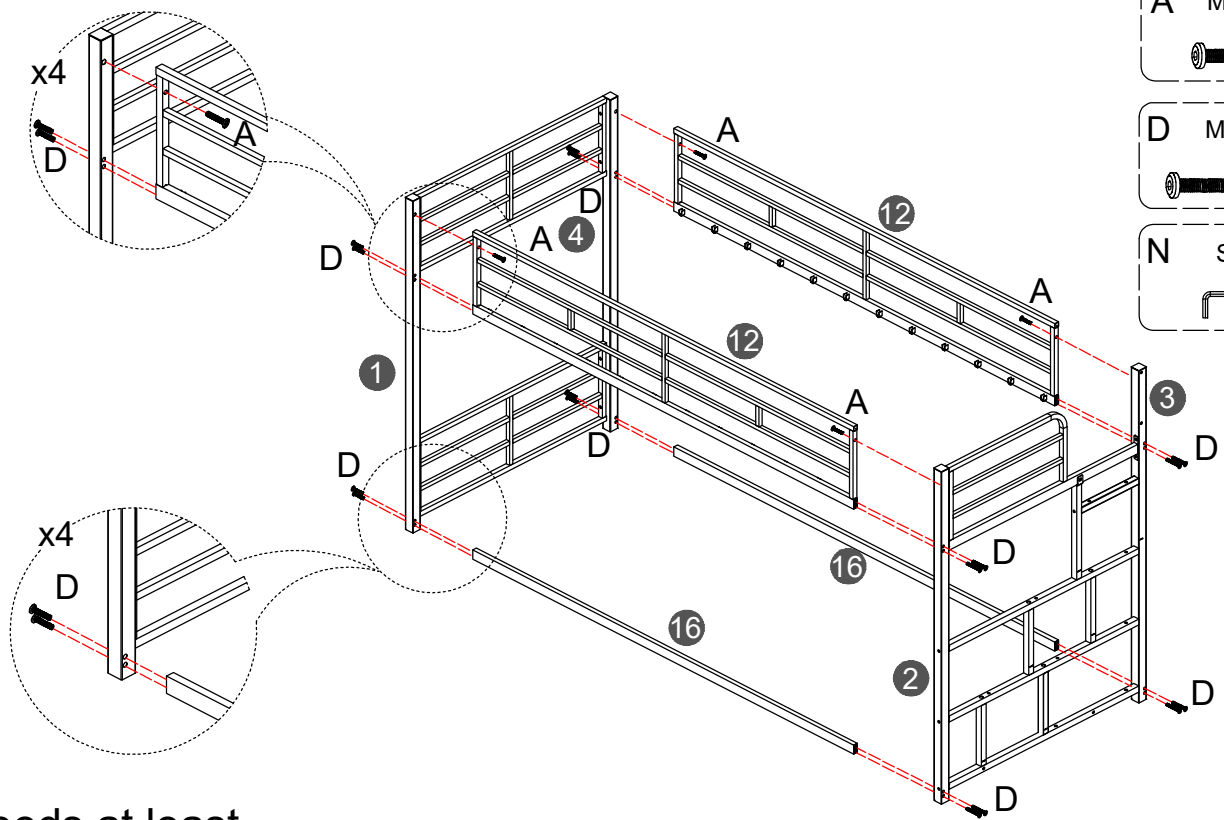
Assembly Instruction

5



- C M6*60
x1
- B M6*40
x2
- E M8*15
x1
- N S4
x1

6

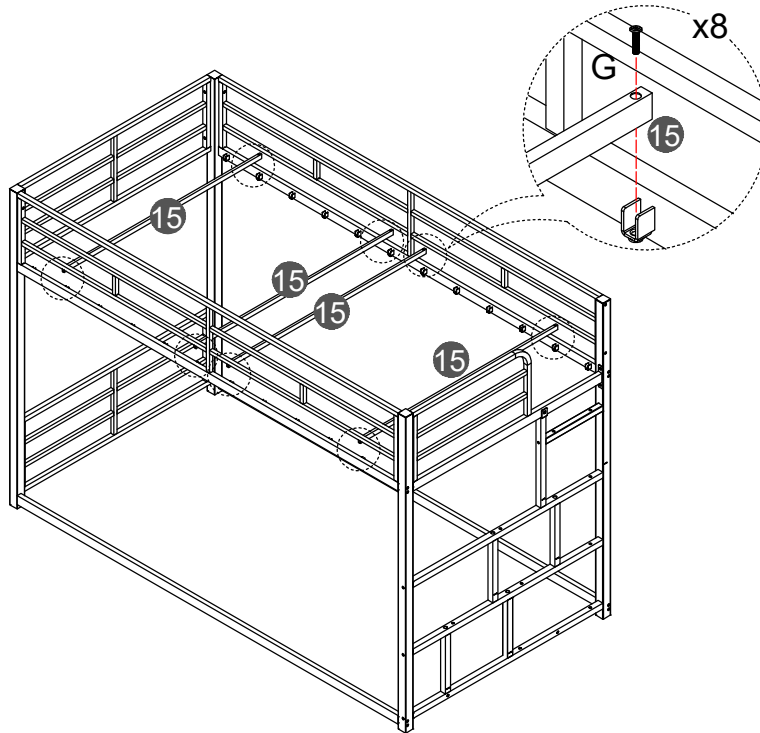


- A M8*35
x4
- D M8*60
x16
- N S4
x1

It needs at least two people to install.

Assembly Instruction

7

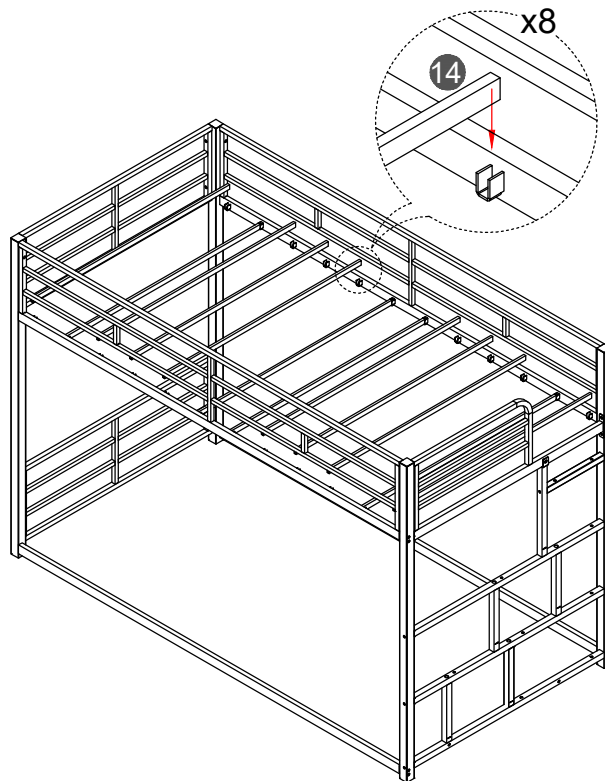


G M5*25
x8

N S4
x1

Do not tighten the screws, just fix them.


8




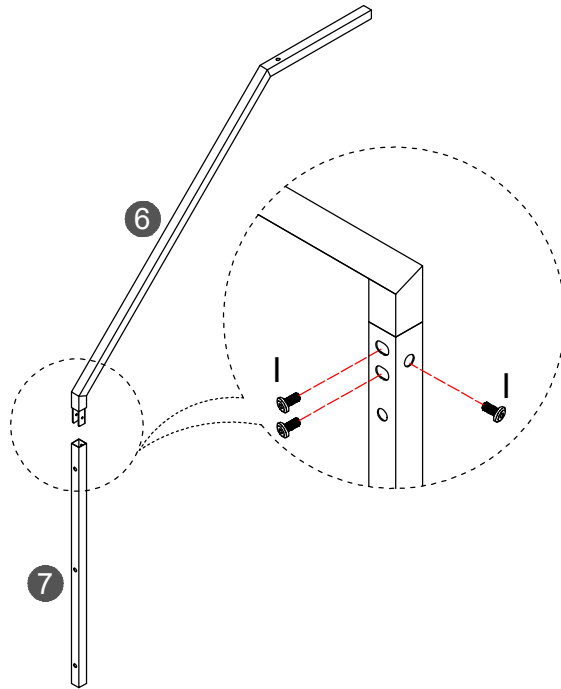
Tighten all the screws on it.

Assembly Instruction


9


I M6*12
 x3

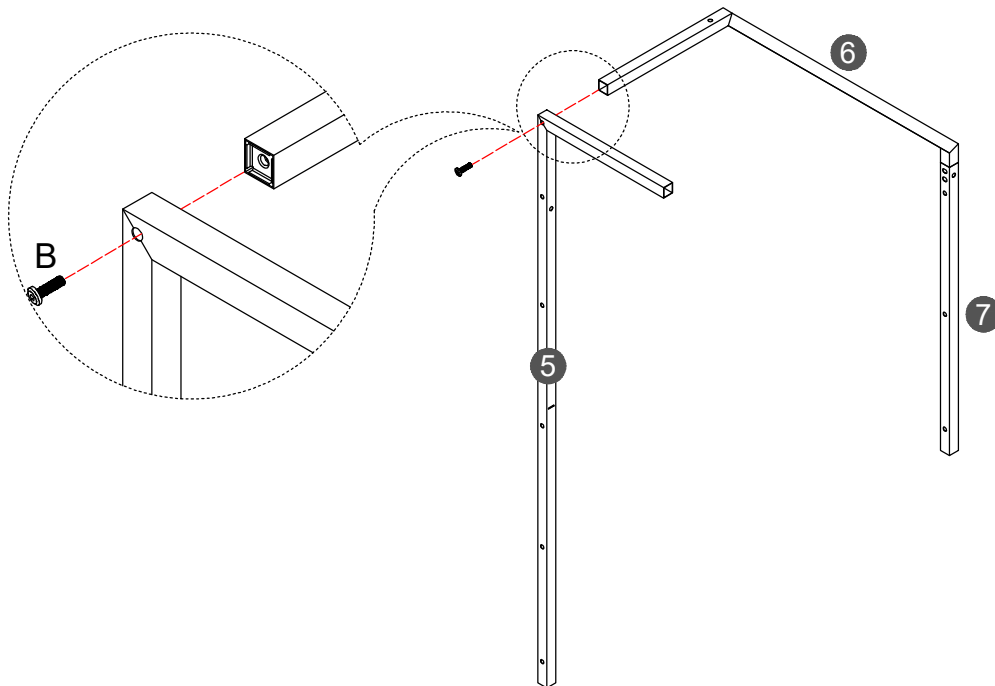
N S4
 x1



10

B M6*40
 x1

N S4
 x1





Assembly Instruction

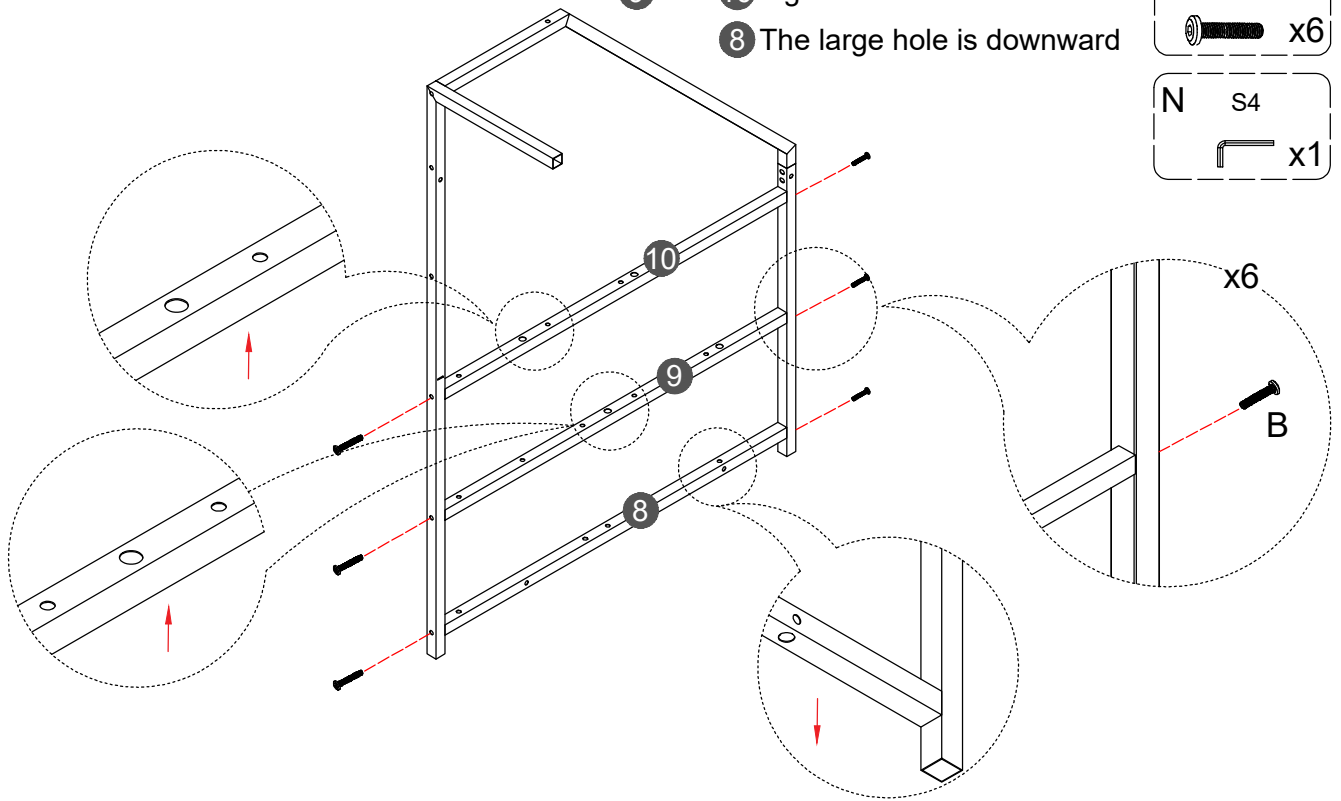
11

9 and 10 Tighten all the screws on it.


8 The large hole is downward


B M6*40
 x6


N S4
 x1

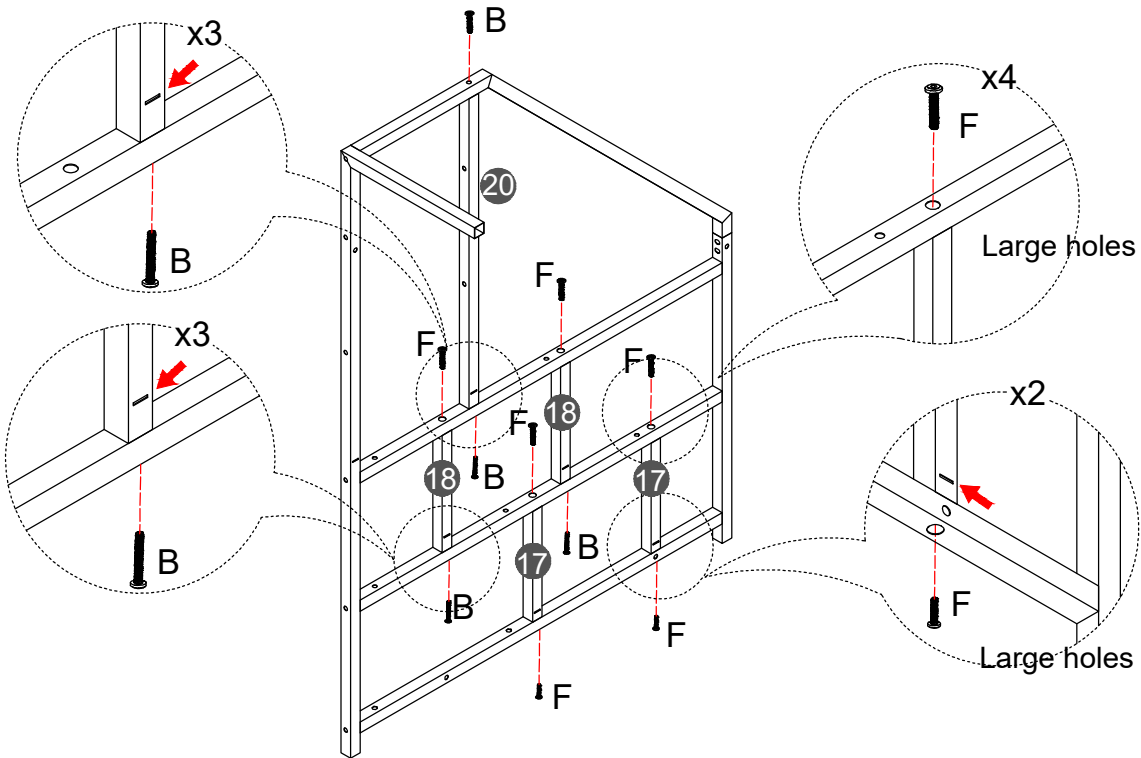


12

B M6*40
 x4


F M6*20
 x6


N S4
 x1

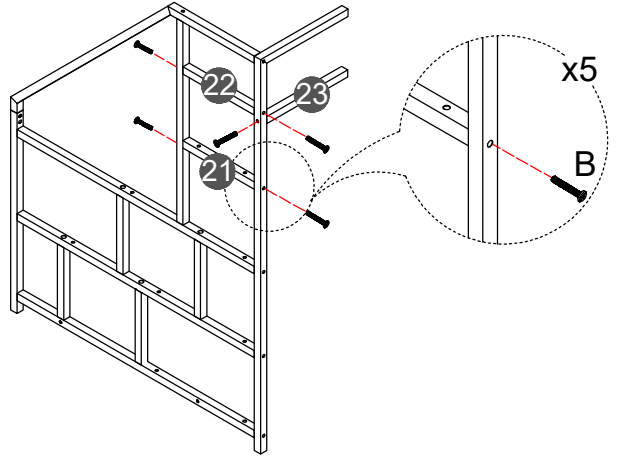
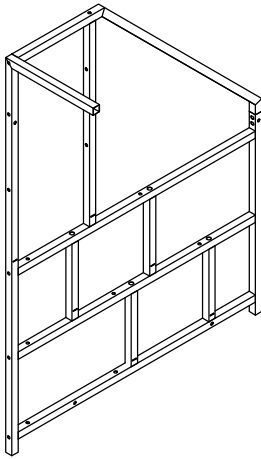


Assembly Instruction


13


B M6*40
 x5

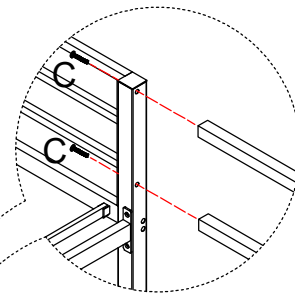
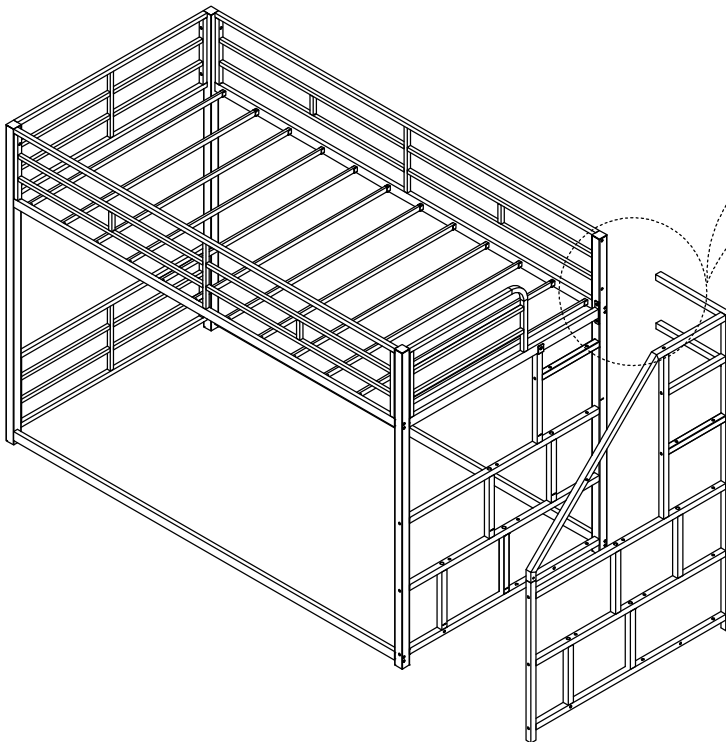
N S4
 x1



14


C M6*60
 x2


N S4
 x1

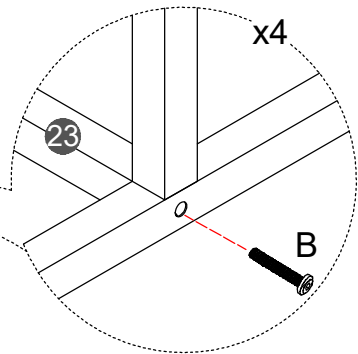
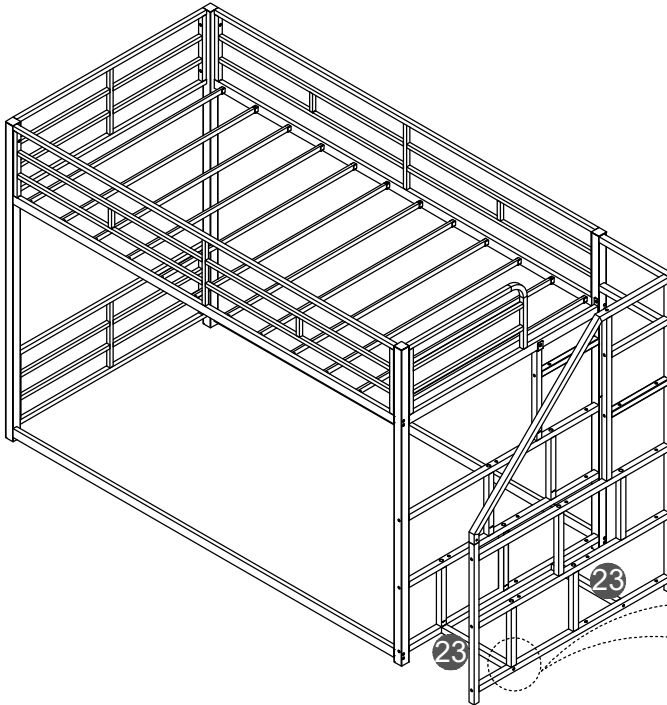


Assembly Instruction


15


B M6*40
 x4

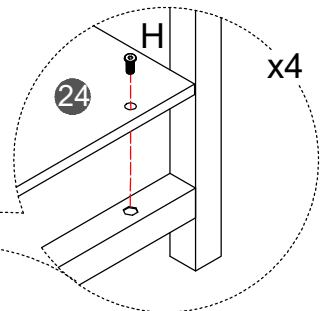
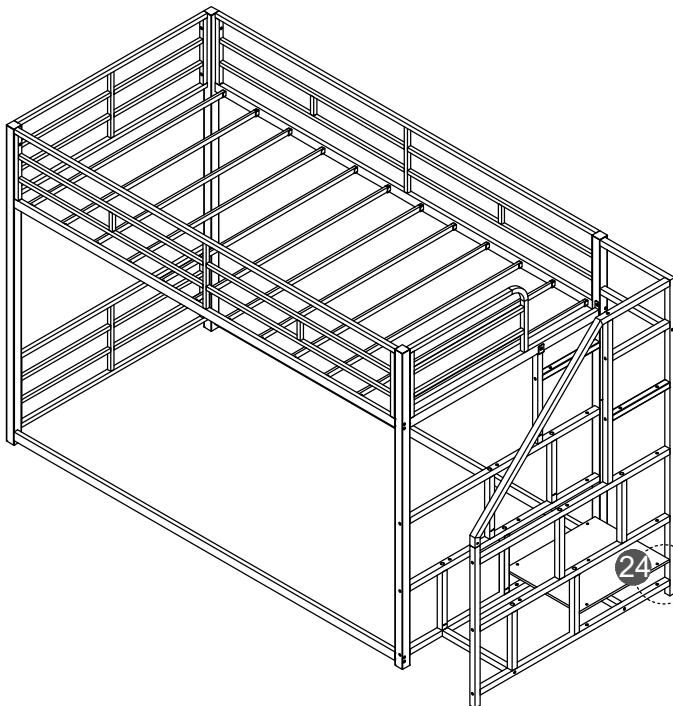
N S4
 x1



16

H M6*18
 x4

N S4
 x1

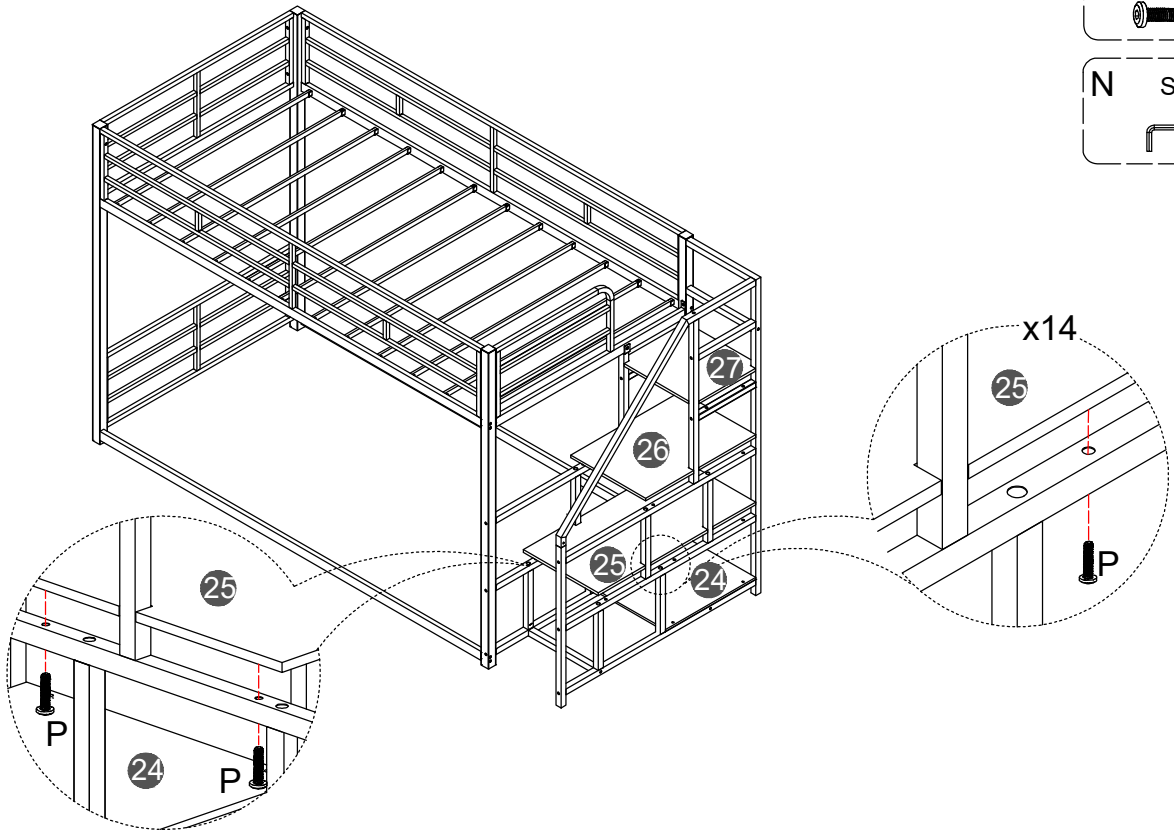


Assembly Instruction

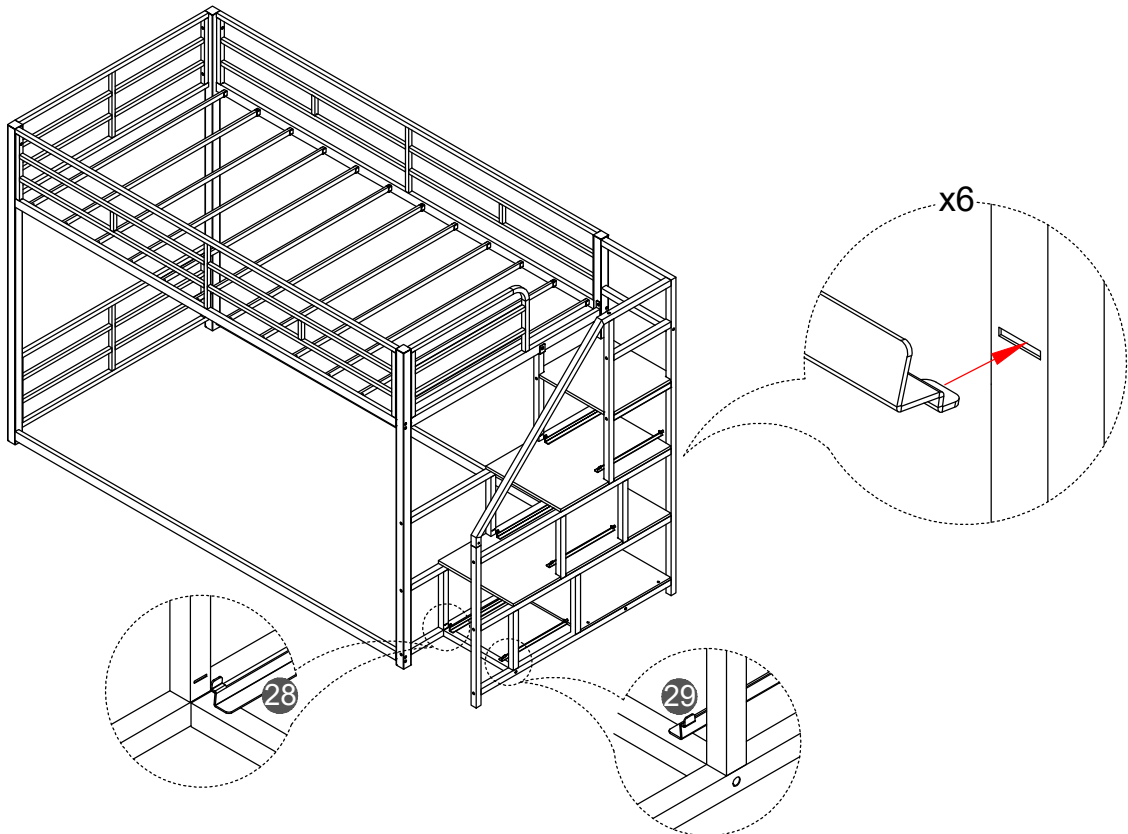
17

P M6*35
x14

N S4
x1

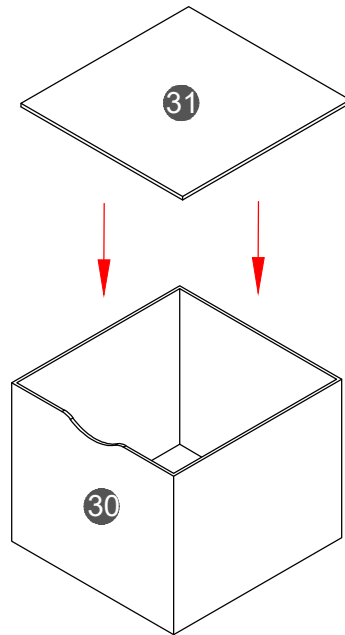


18



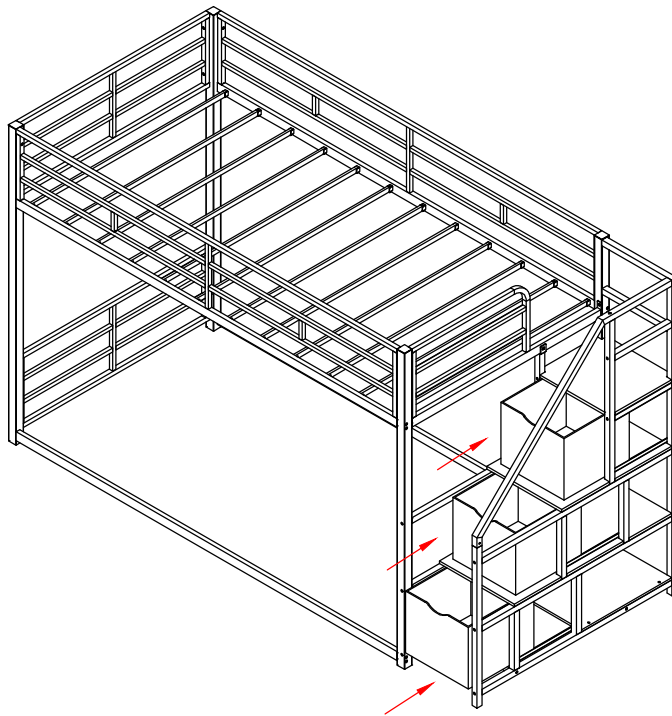
Assembly Instruction

19



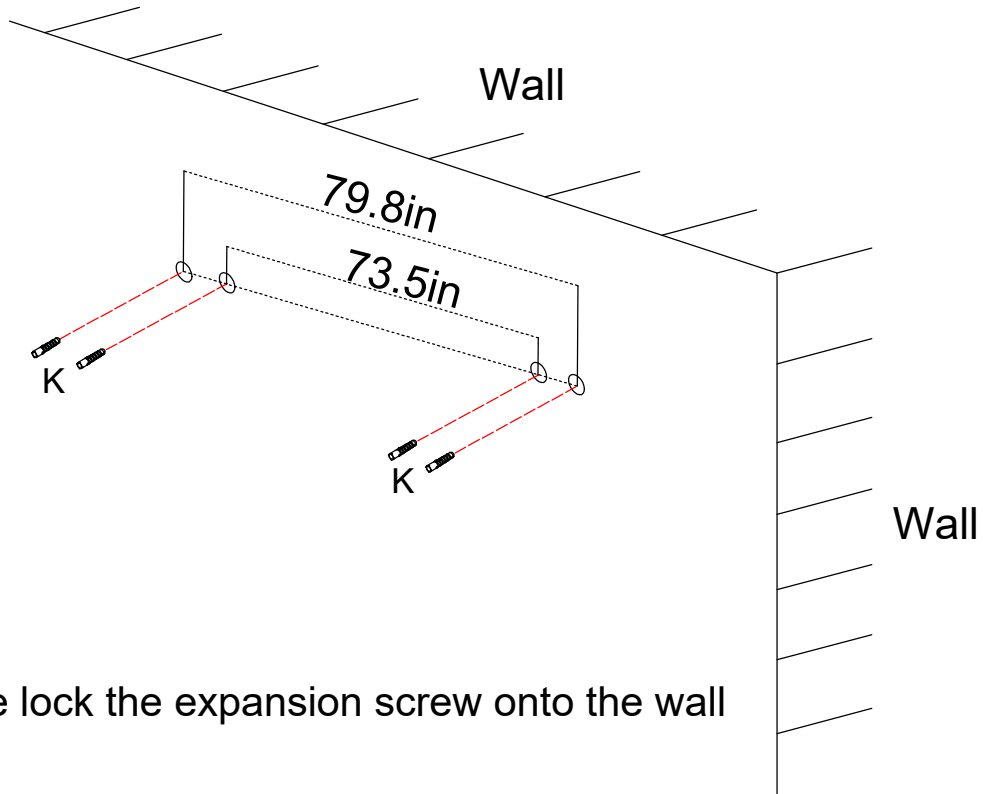
x3

20

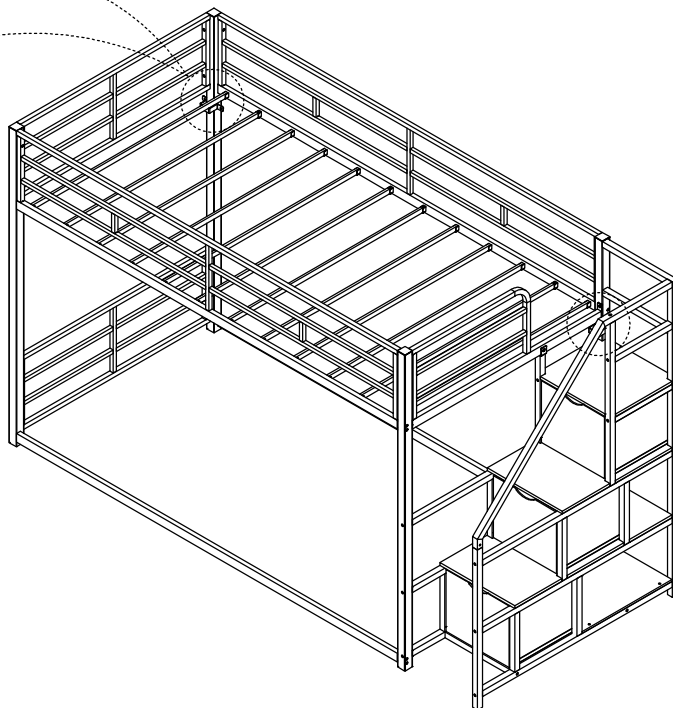
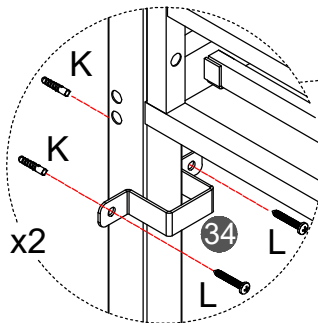


Assembly Instruction

21



22





- K $\varnothing 8 \times 40$
x4
- L M5 \times 30
x4
- M
x1

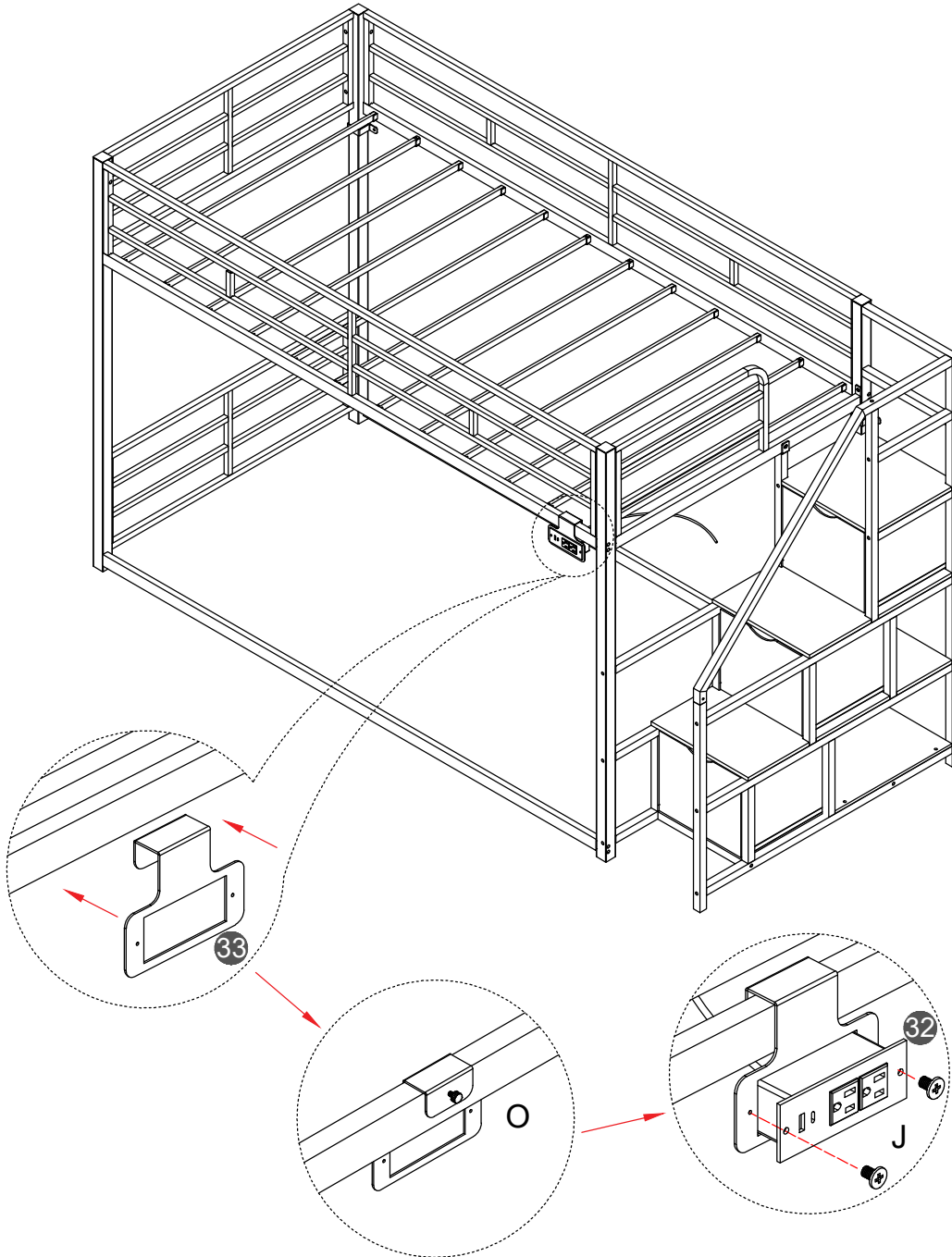
Assembly Instruction

23

J M4*12
 x2

O M5*12
 x1

M
 x1



Assembly Instruction

24

