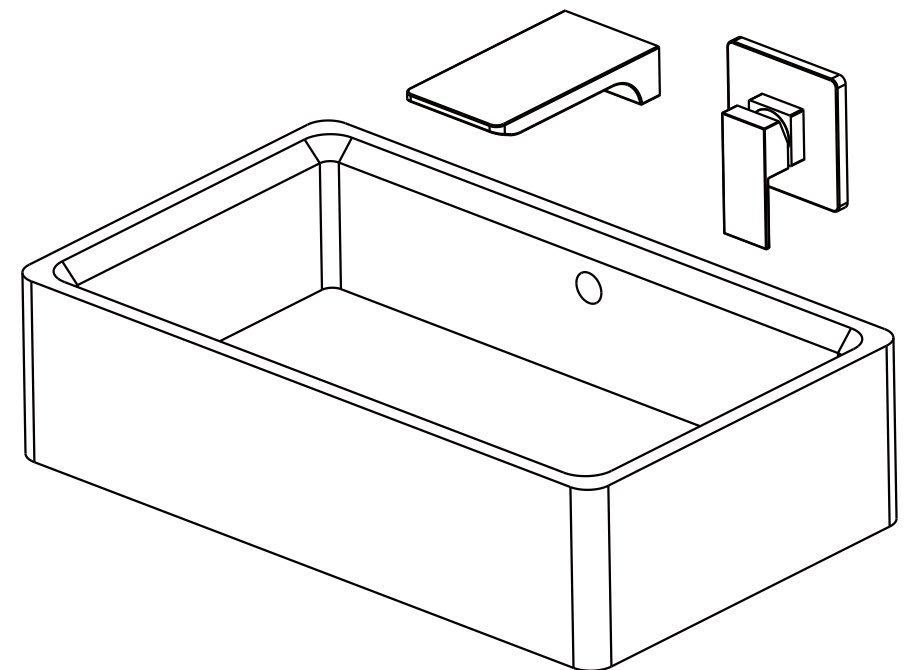
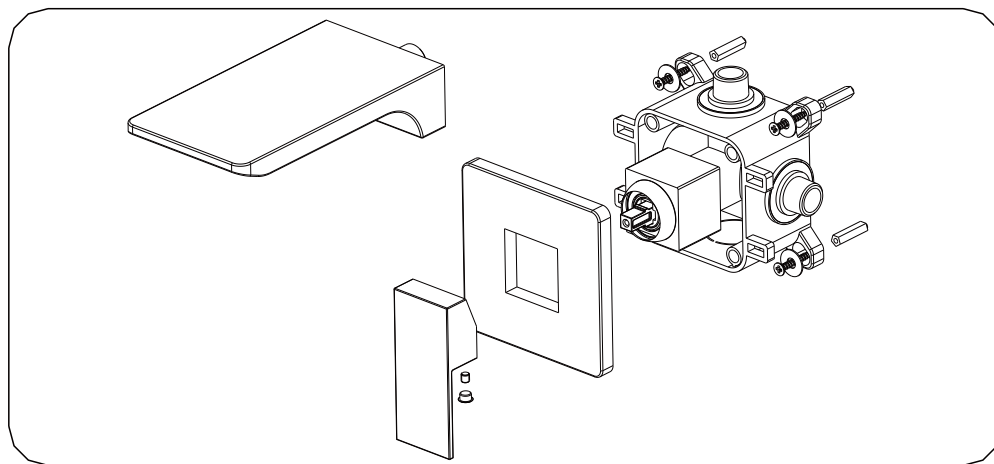
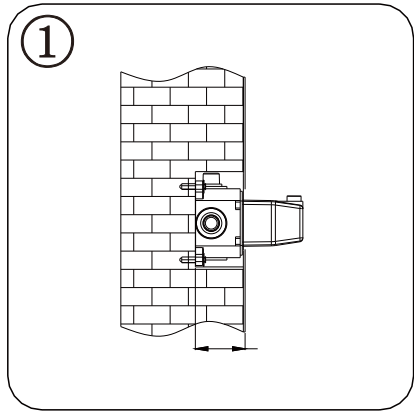


Installation instructions

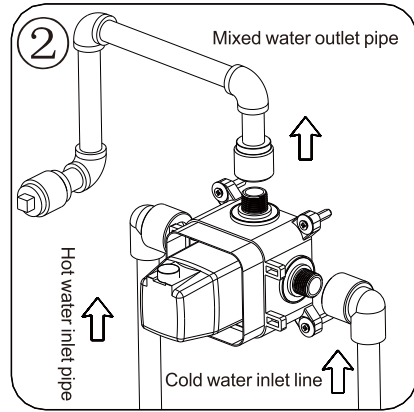


Note: Do not disassemble this product under the guidance of non-professional personnel. The picture is for reference only. All parts and accessories are subject to the real object. The company reserves the right of interpretation. If there is any change in the relevant content, please refer to the latest "installation instruction" issued by the company. Thank you very much!

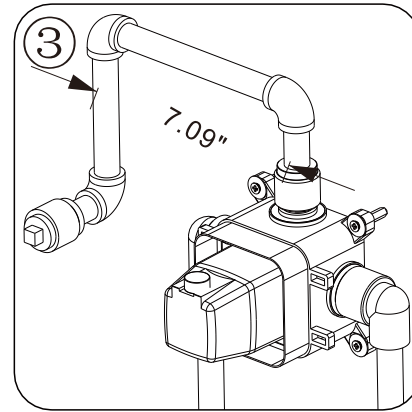




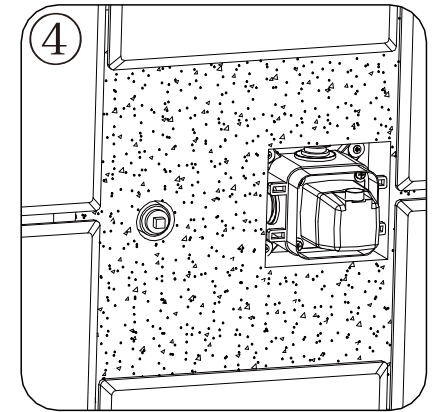
According to the basic size of the embedded box, use a special tool to cut the main hole on the solid wall. The depth of the hole is shown in the figure. The distance between the surface of the wall after final treatment and the bottom surface of the hole should be considered to be between 2.17"-2.76"



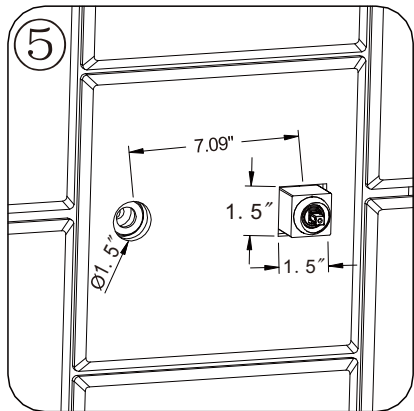
As shown in the figure, pre-bury the intake water pipe, and pay attention to the upper, lower and left directions of the embedded box. The lower left interface is connected with the hot water pipe, and the right interface is connected with the cold water pipe.



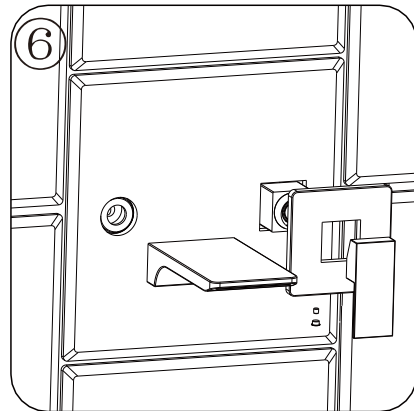
Open the water source to test whether the left and right inlet pipes are tightly connected without leakage. After the inlet pipes are tested, adjust the flow switch to open the account to test whether the mixed outlet pipes are tightly connected without leakage.



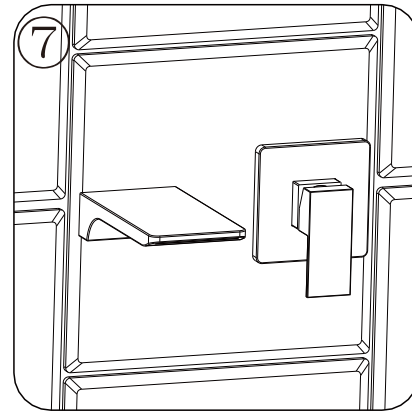
Once again, make sure that the pipe connection is correct and there is no leakage in the water test. After the installation of other embedded components of the shower, seal and fix the embedded box and pipe with filler. At this point, the solid wall embedded box is installed and the plastic protective cover is taken out.



Stick the tile as shown in the picture.



As shown in the figure, install the outlet pipe and wind the sealing tape counterclockwise at the thread connection. It is required to wind several times to ensure the sealing effect.



Installation is finished, test whether each function is used normally, wipe clean bibcock surface with soft cloth.