

INSTALLATION

Product Manual

Version: 210360US-01-25A-AA



IMPORTANT INFORMATION!

please read the entire manual before starting to assemble and/or using this product. follow the manual thoroughly and keep it for further reference.



AVOID SCRATCHES!

In order to avoid scratching this furniture should be assembled on a soft layer- could be a rug.



IMPROVE EFFICIENCY !

Try to find a partner to install with you, which can speed up the installation efficiency and shorten the time.



ANTI-TOPPLE WARNING !

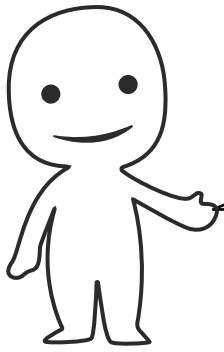
Overturnd furniture can cause serious or fatal crush injuries. To prevent tipping over, be sure to use the wall attachment, if not included with this product. Please purchase the wall attachment that fit your wall. If unsure, seek professional advice. Please read and follow each step of the instructions carefully.

IMPORTANT !

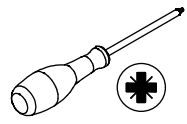
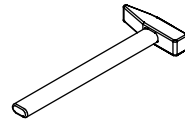
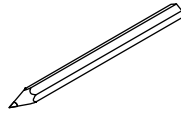
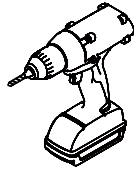
It is important that any product which is assembled using any kind of screw is re-tightened 2 weeks after assembly, and once every 3 months - in order to assure stability through-out the lifespan of the product.

For regular maintenance and cleaning of the product, for the frame, please use a rag dipped in neutral detergent to fully wipe it, and then dry it with a clean rag. For glass materials, wipe with a rag dampened with water glass cleaner, and then dry with a dry rag.

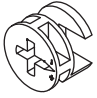
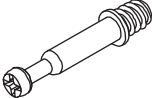
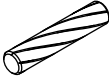
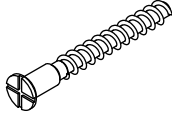
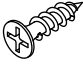
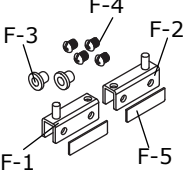
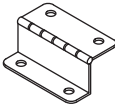

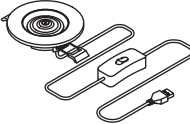

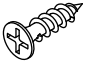
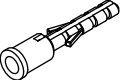
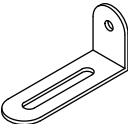
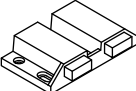
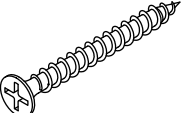
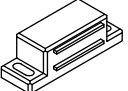
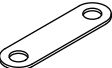
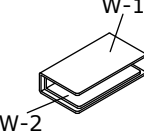
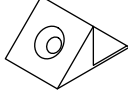
Do not use an electric screwdriver, and do not use too much force when installing, because the board is easy to break.

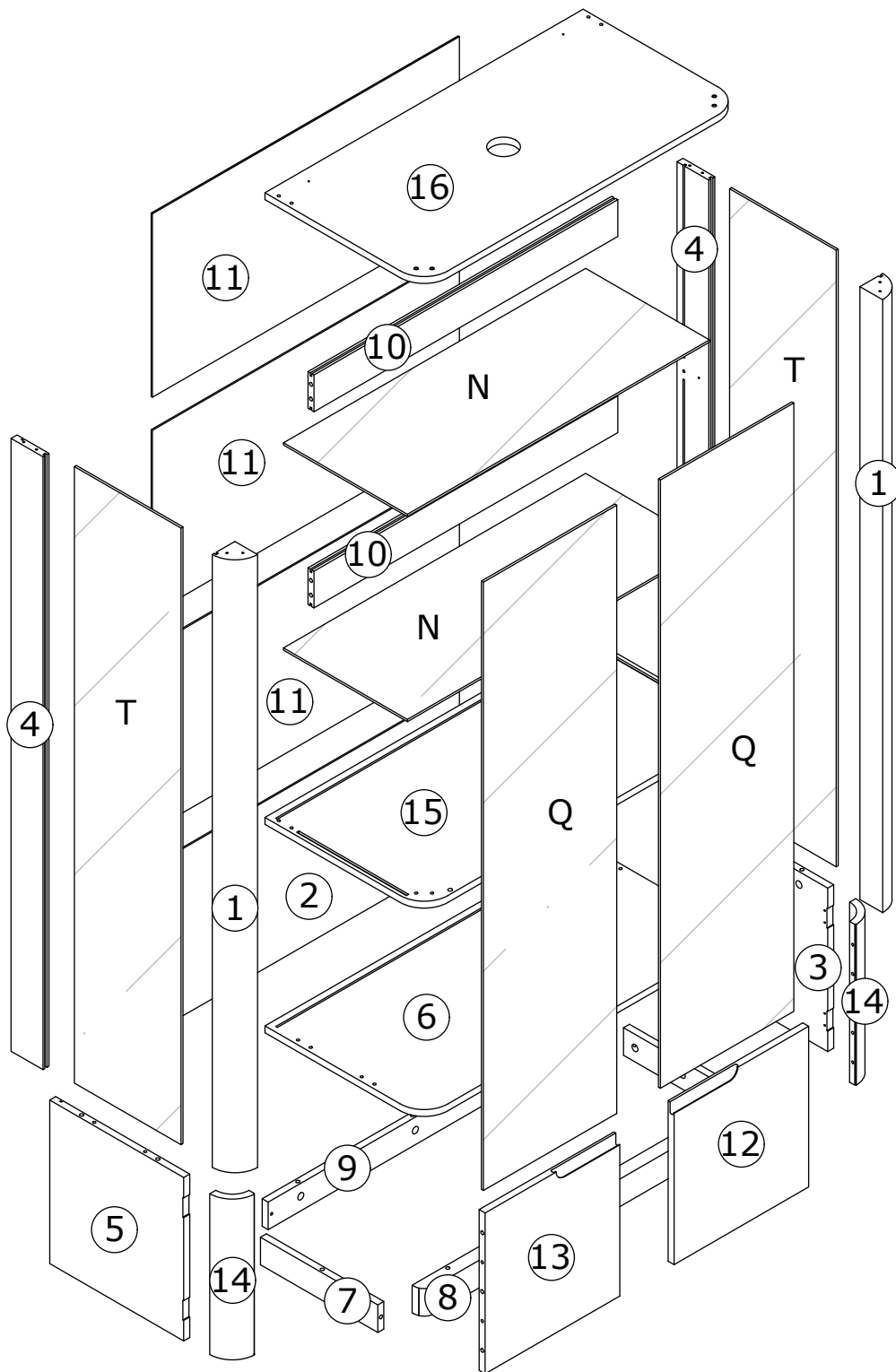


Please prepare the following tools



When installing, please carefully confirm whether each screw corresponds to the manual, accessories with similar shapes can be distinguished by size

<p>A x 30</p>  <p>CRB1595A</p>	<p>B x 30</p>  <p>CRA0635A</p>	<p>C x 12</p>  <p>CRF0630A</p>	<p>D x 20</p>  <p>CRC0540A</p>	<p>E x 20</p>  <p>CRD0312A</p>
<p>F x 2</p> 	<p>G x 4</p> 	<p>H x 8</p> 	<p>J x 1</p> 	<p>K x 40</p>  <p>CRD0314A</p>
<p>L x 10</p>  <p>CRD3514A</p>	<p>M x 2</p> 	<p>P x 2</p> 	<p>R x 1</p> 	<p>S x 2</p>  <p>CRD3535A</p>
<p>U x 2</p> 	<p>V x 2</p> 	<p>W x 4</p> 	<p>X x 32</p> 	



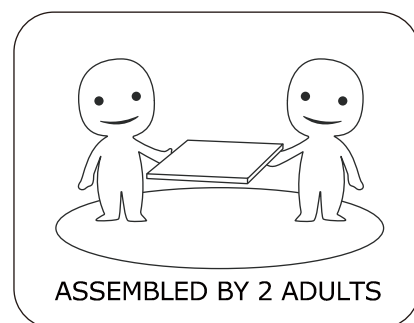
⚠ WARNING



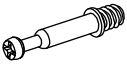


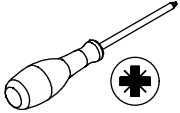
Children have died from furniture tipover. To reduce the risk of furniture tipover:

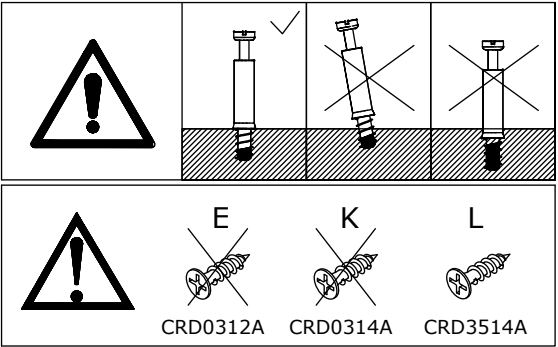
- ALWAYS install Anti-tip device provided.
- NEVER put a TV on this product.
- NEVER allow children to stand, climb or hang on drawers, doors, or shelves.
- NEVER open more than one drawer at a time.
- Place heaviest items in the lowest drawers.

*This is a permanent label.
Do not remove!*

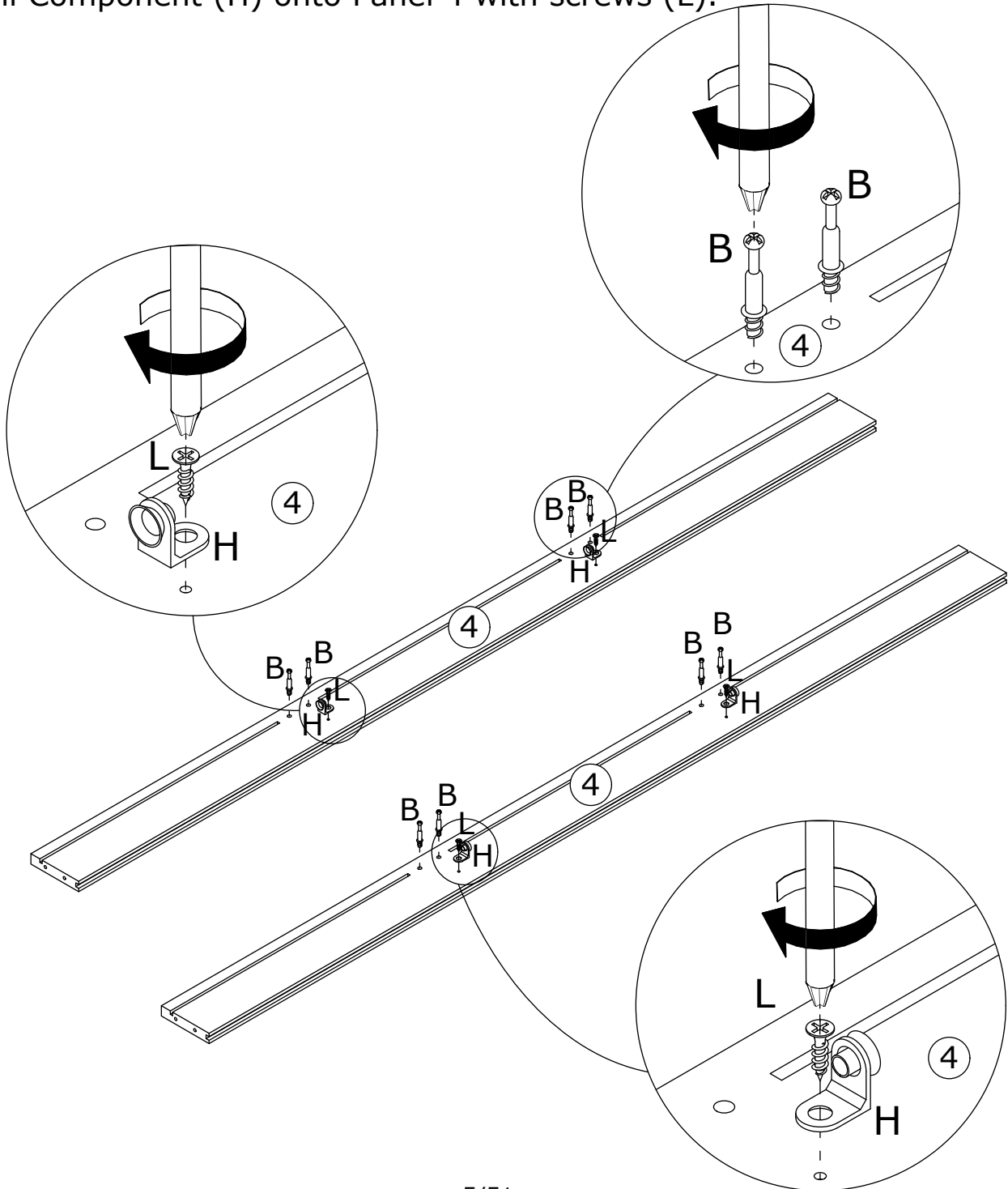


1

B x 8  CRA0635A	H x 4  H x 4	L x 4  CRD3514A	
--	---	--	---

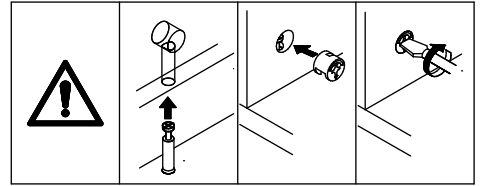
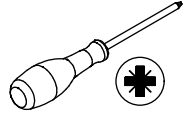


As shown in the figure,
Screw the self-tapping rods (B) into Panel 4.
Install Component (H) onto Panel 4 with screws (L).

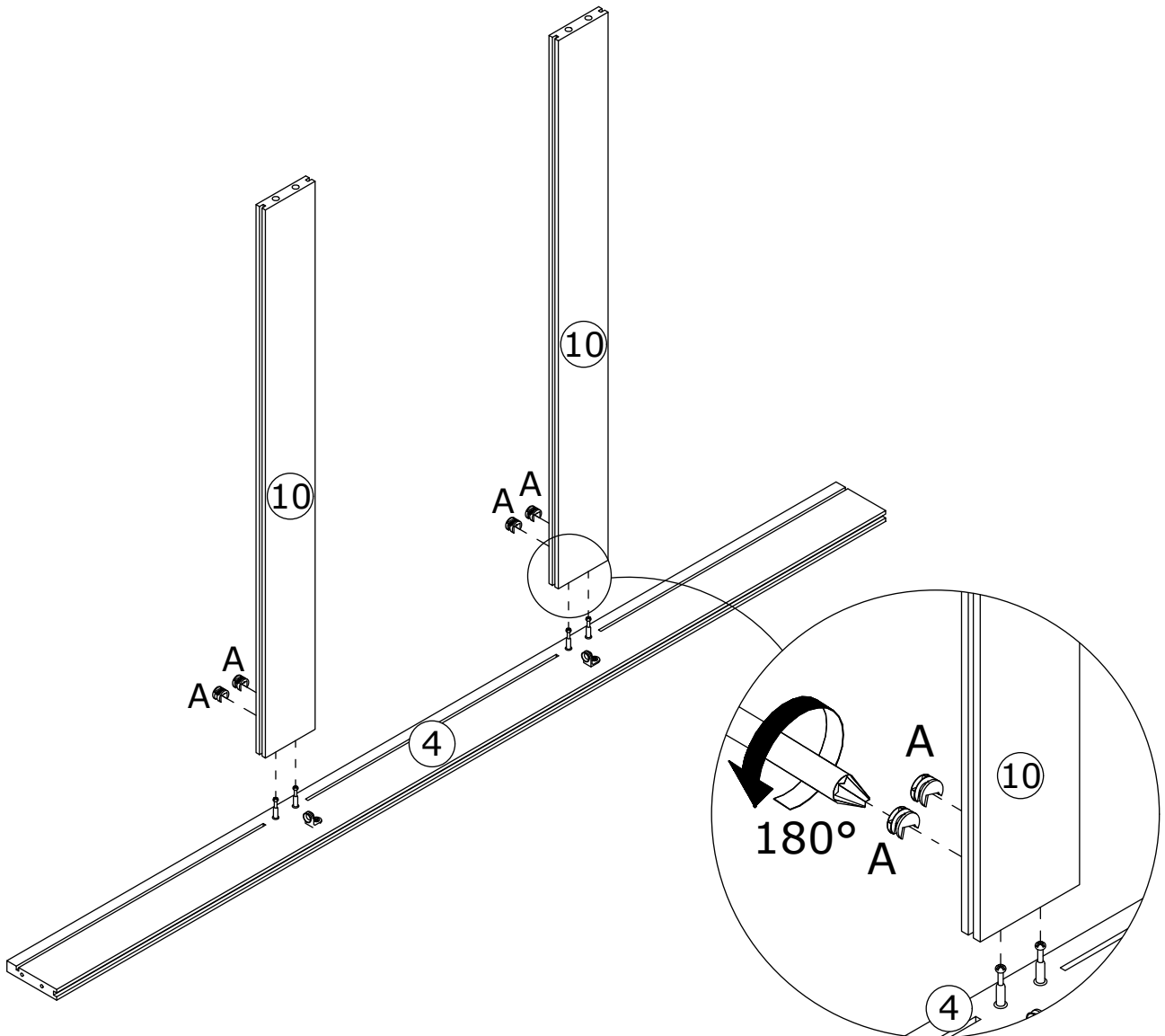


2

A x 4
CRB1595A

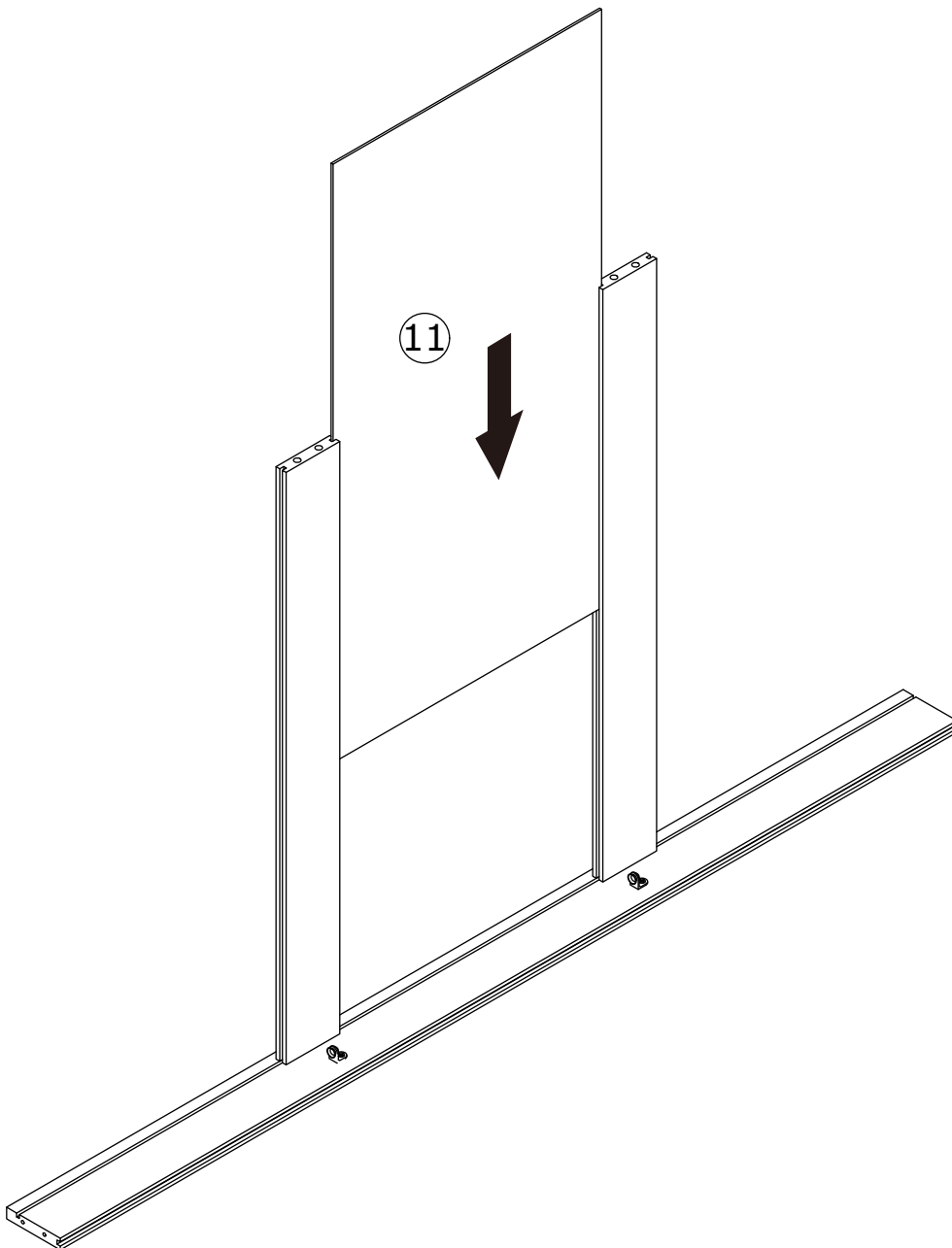


As shown in the figure,
Connect Panel 10 to Panel 4.
Insert the eccentric wheel (A) and rotate it clockwise to tighten.



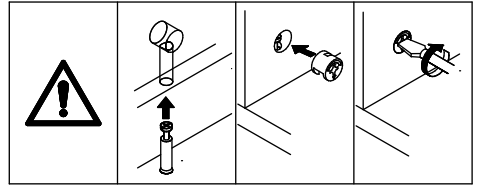
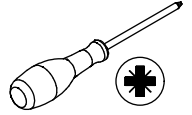
3

As shown in the figure, insert Panel 11 along the available slot.

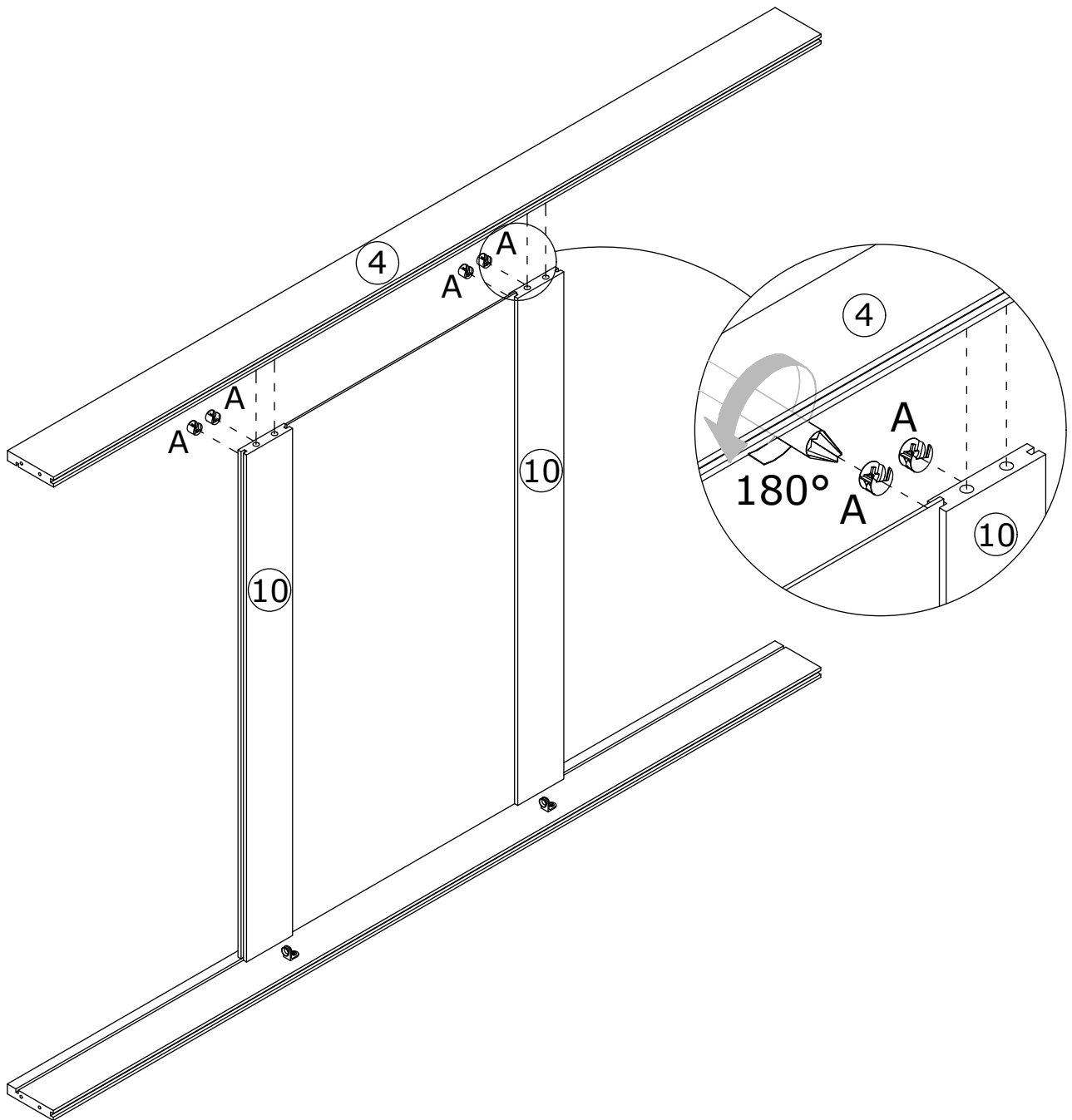


4

A x 4
CRB1595A



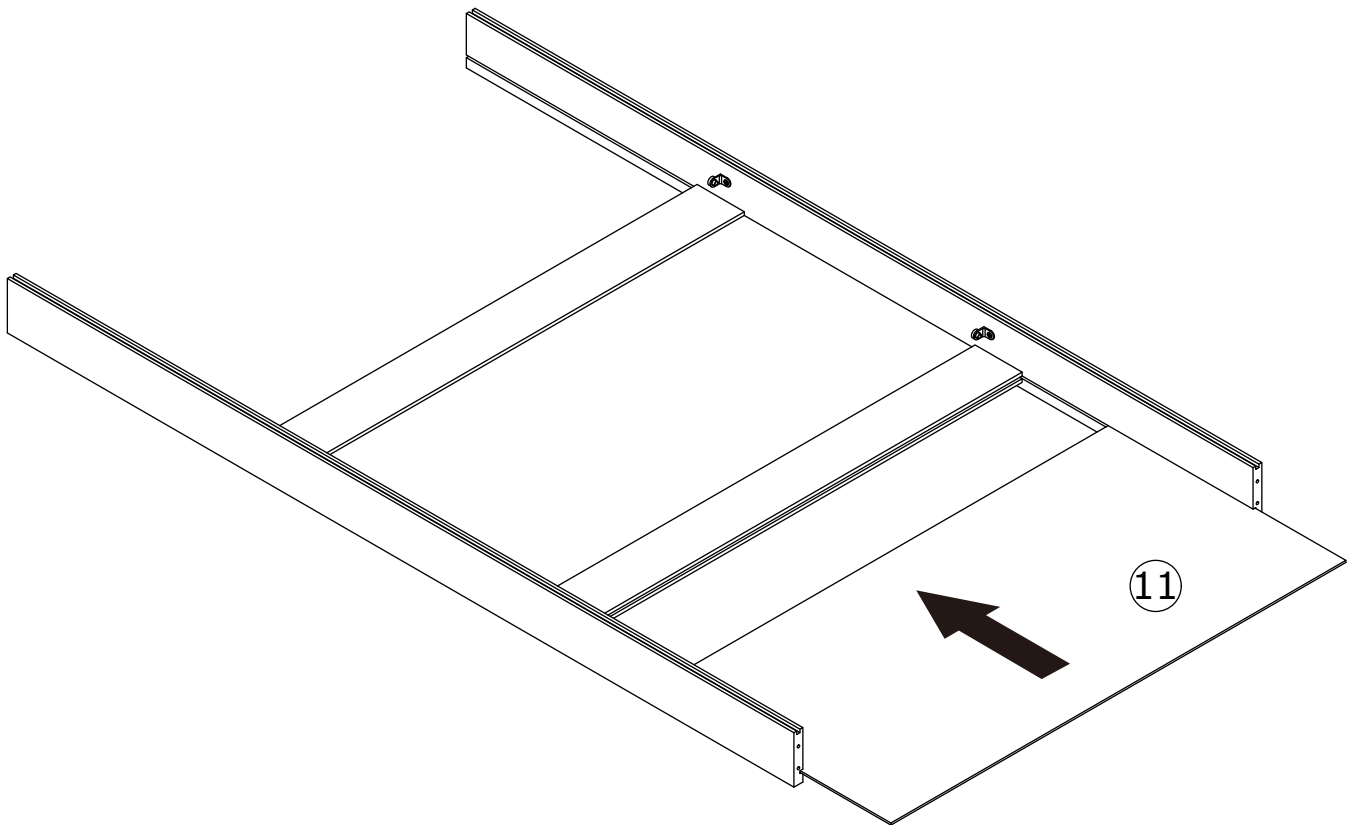
As shown in the figure,
Connect Panel 4 to Panel 10.
Insert the eccentric wheel (A) and rotate it clockwise to tighten.



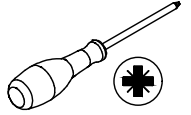
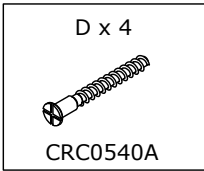
5



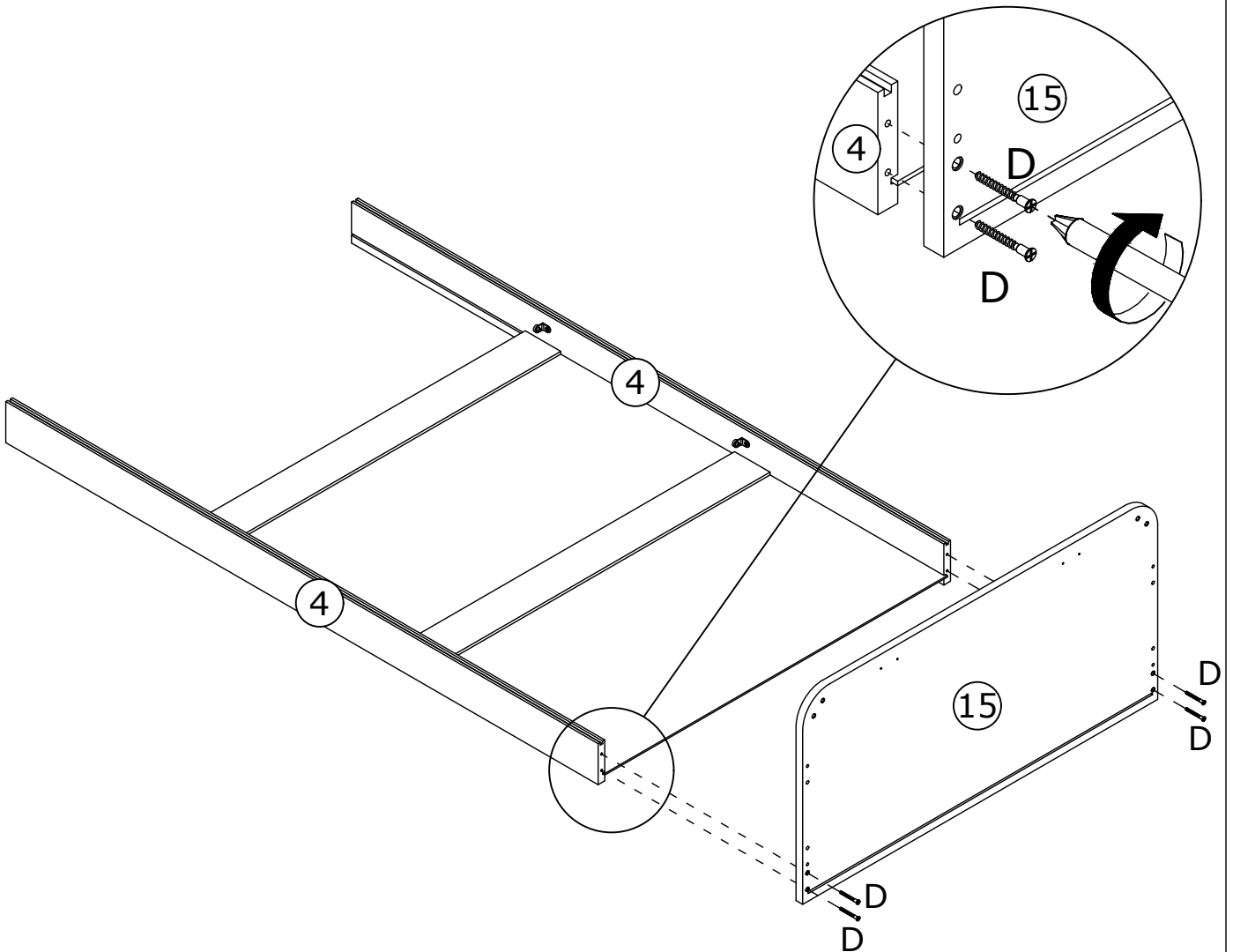
As shown in the figure, insert Panel 11 along the available slot.



6



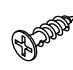
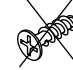


As shown in the figure, connect Panel 15 to Panel 4 with screws (D).

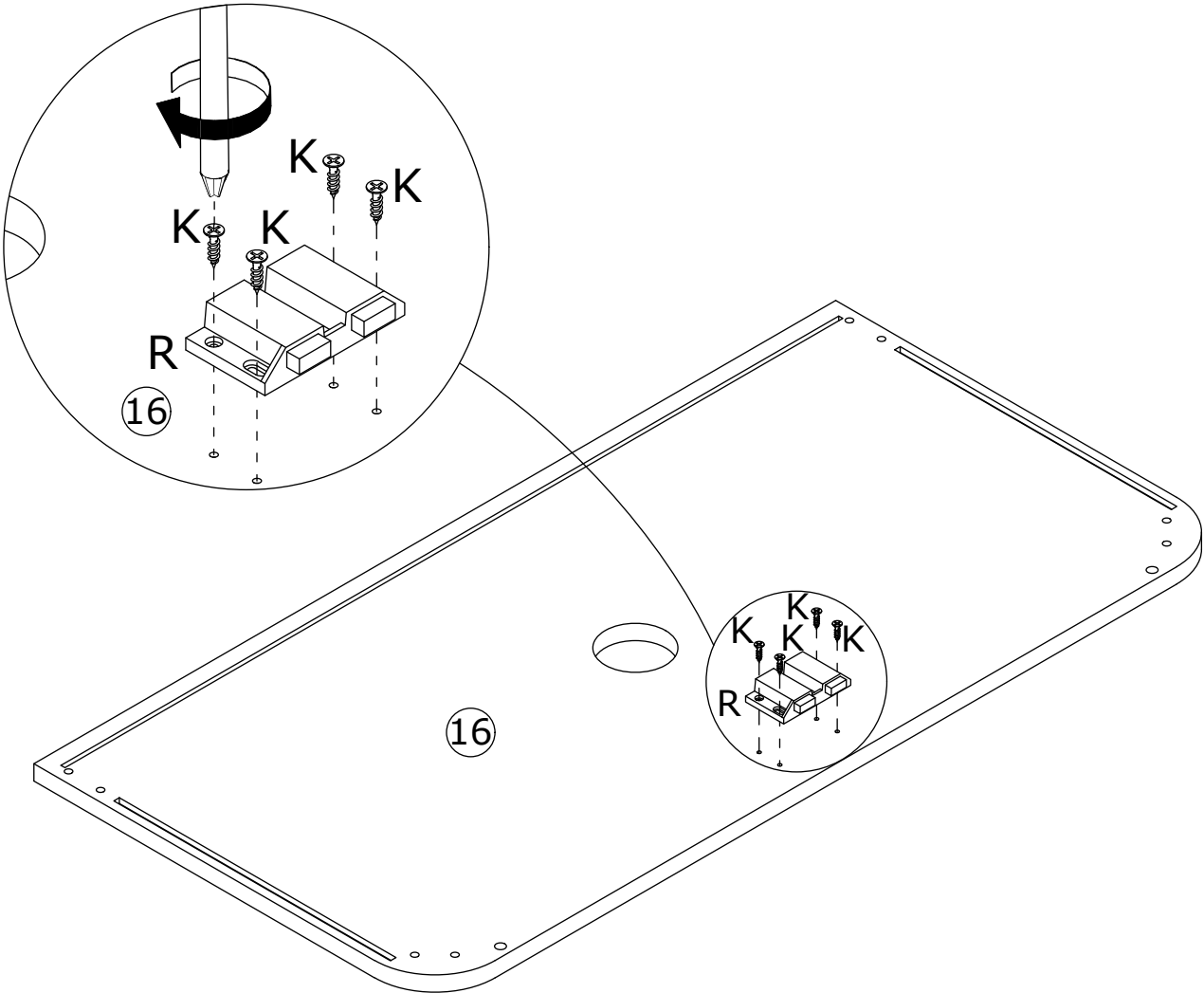


7

K x 4  CRD0314A	R x 1 	 
--	--	---





	E  CRD0312A	K  CRD0314A	L  CRD3514A
--	---	--	---

As shown in the figure, install Component (R) onto Panel 16 with screws (K).

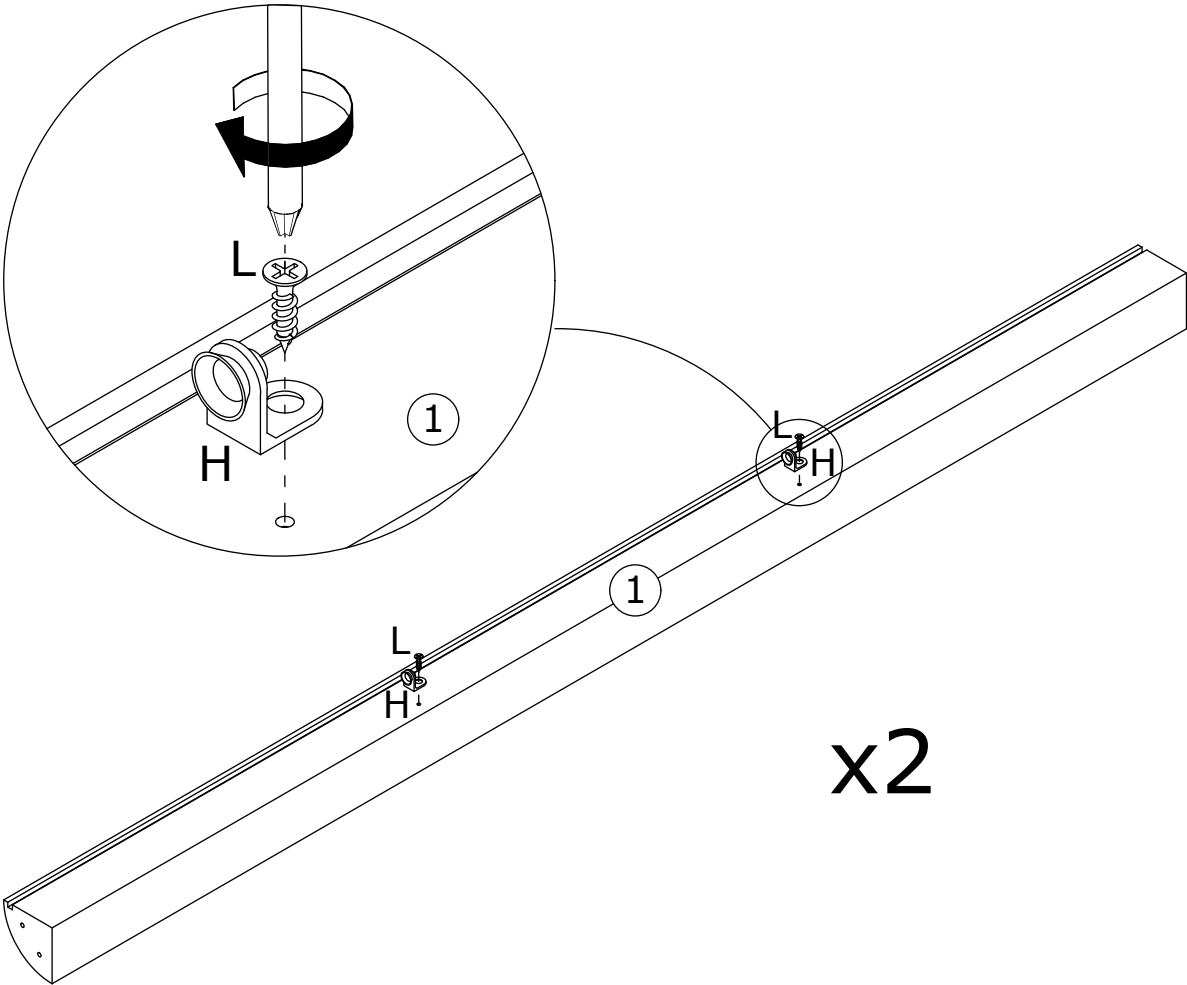


8

H x 4 	L x 4  CRD3514A	
--	--	---

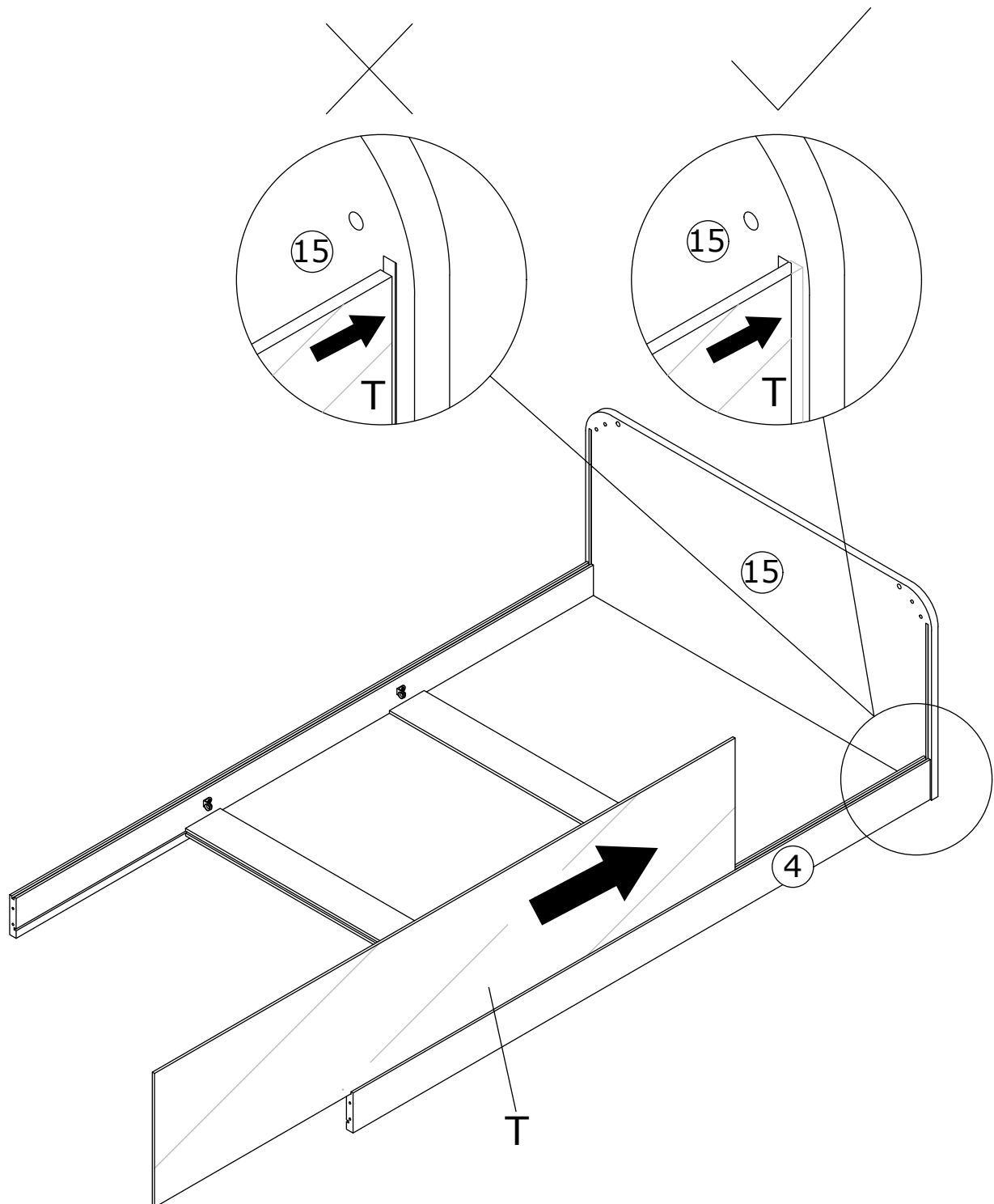
	E 	K 	L 
	CRD0312A	CRD0314A	CRD3514A

As shown in the figure, install Component (H) onto Panel 1 with screws (L).

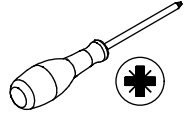
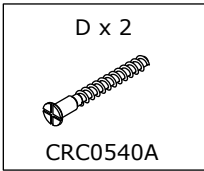


9

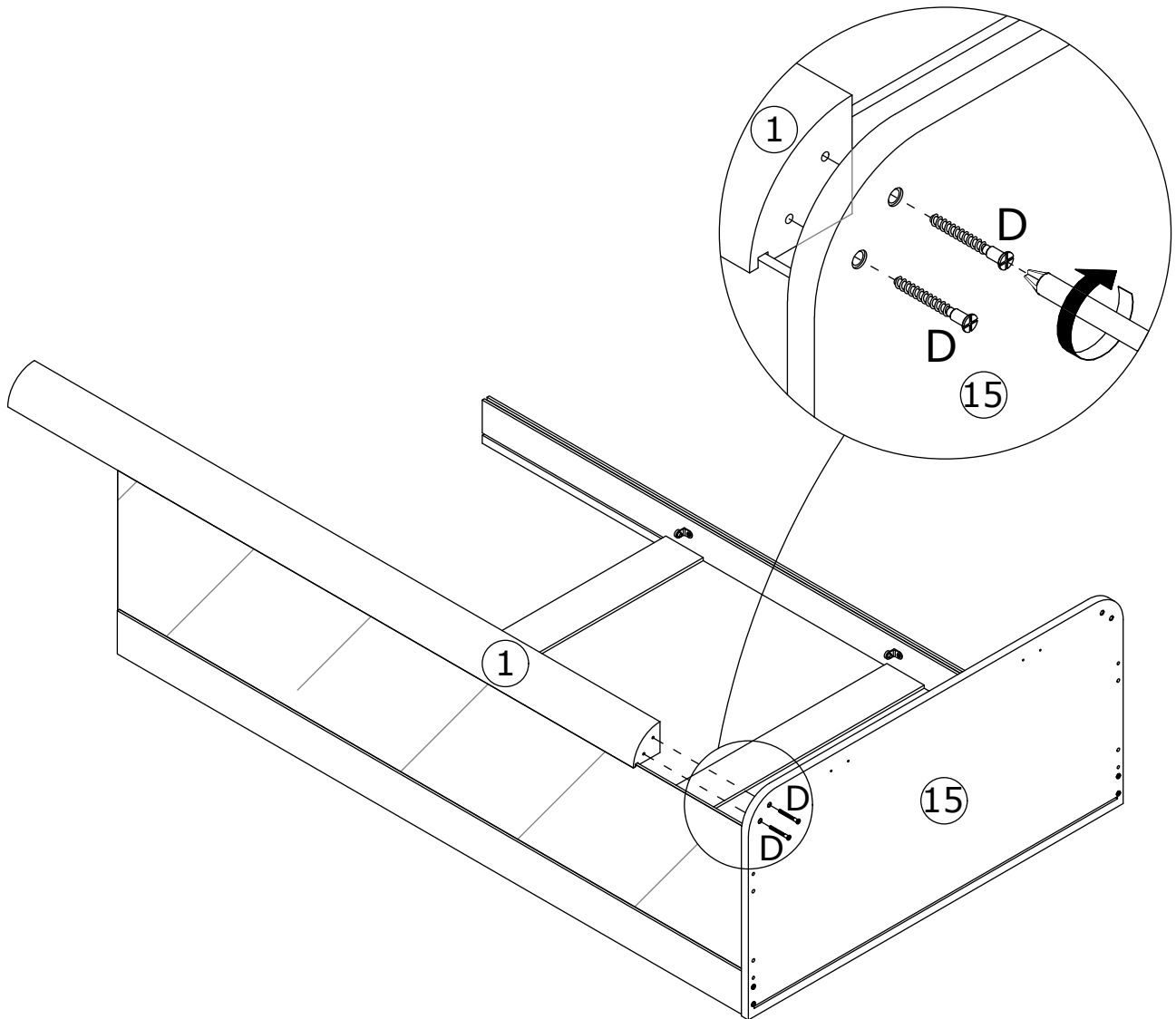
As shown in the figure, insert the glass (T) along the available slot.



10



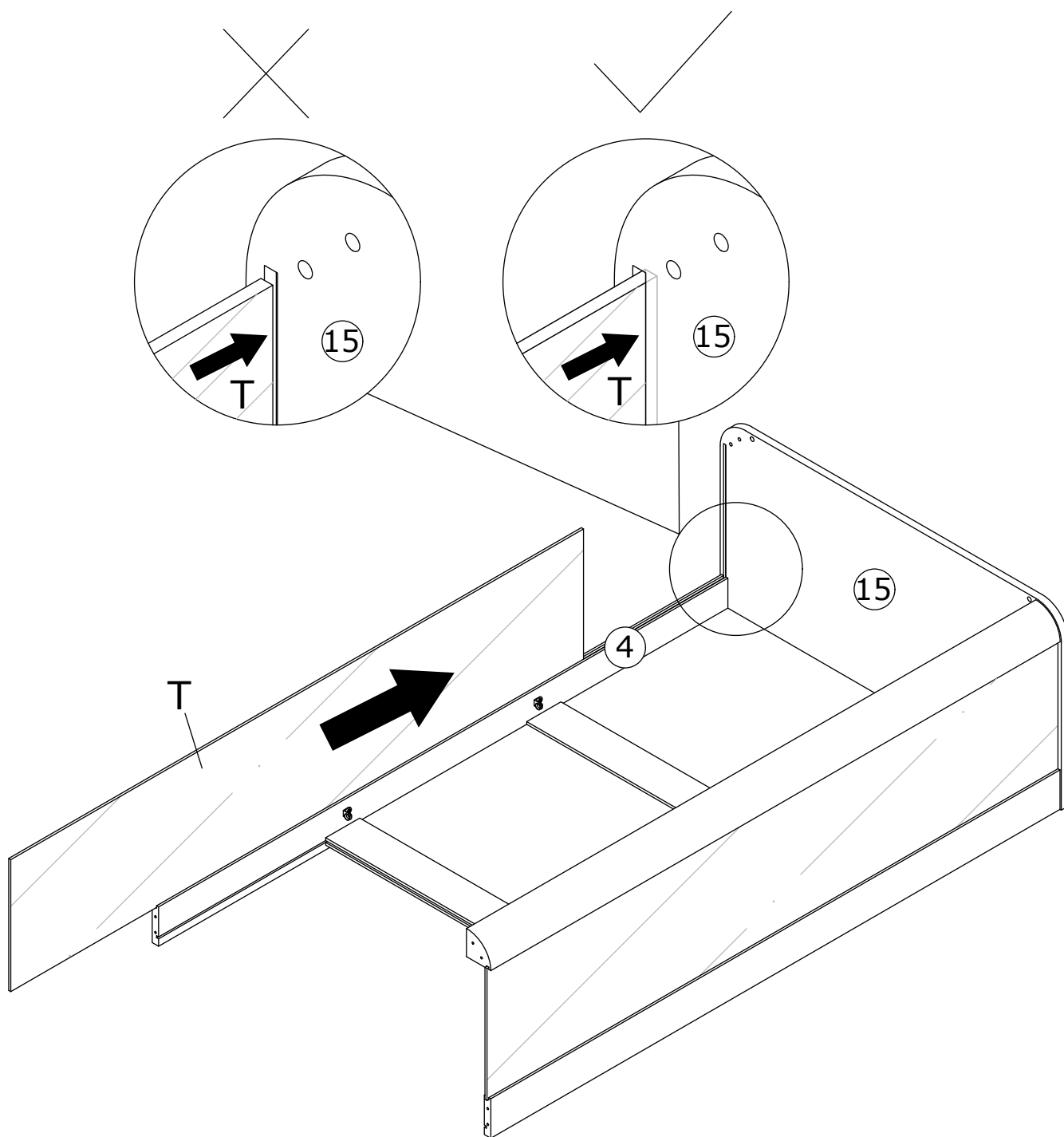
As shown in the figure, connect Panel 1 to Panel 15 with screws (D).



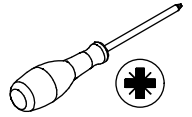
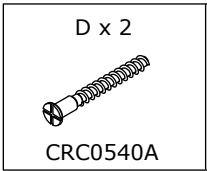
11



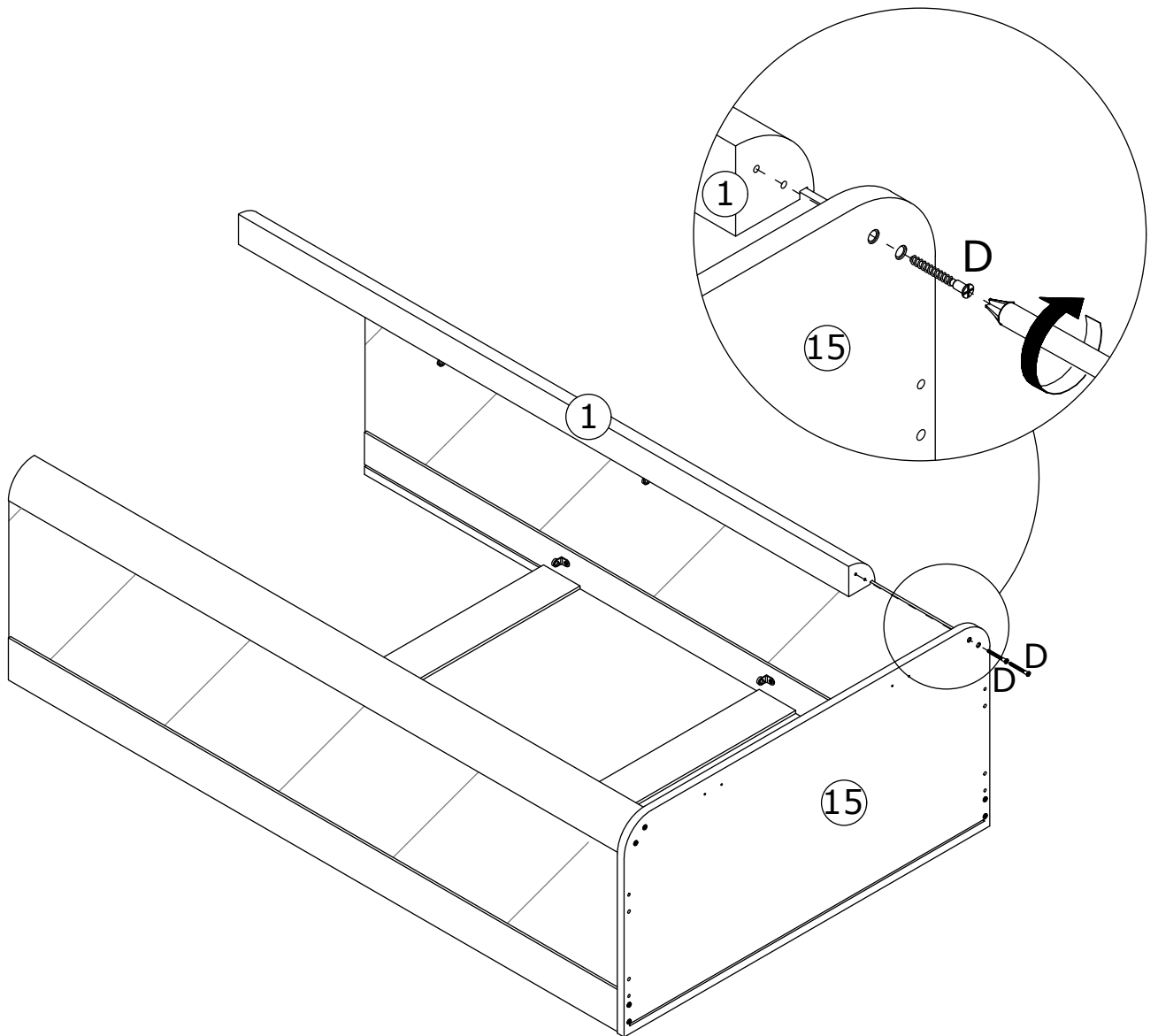
As shown in the figure, insert the glass (T) along the available slot.



12

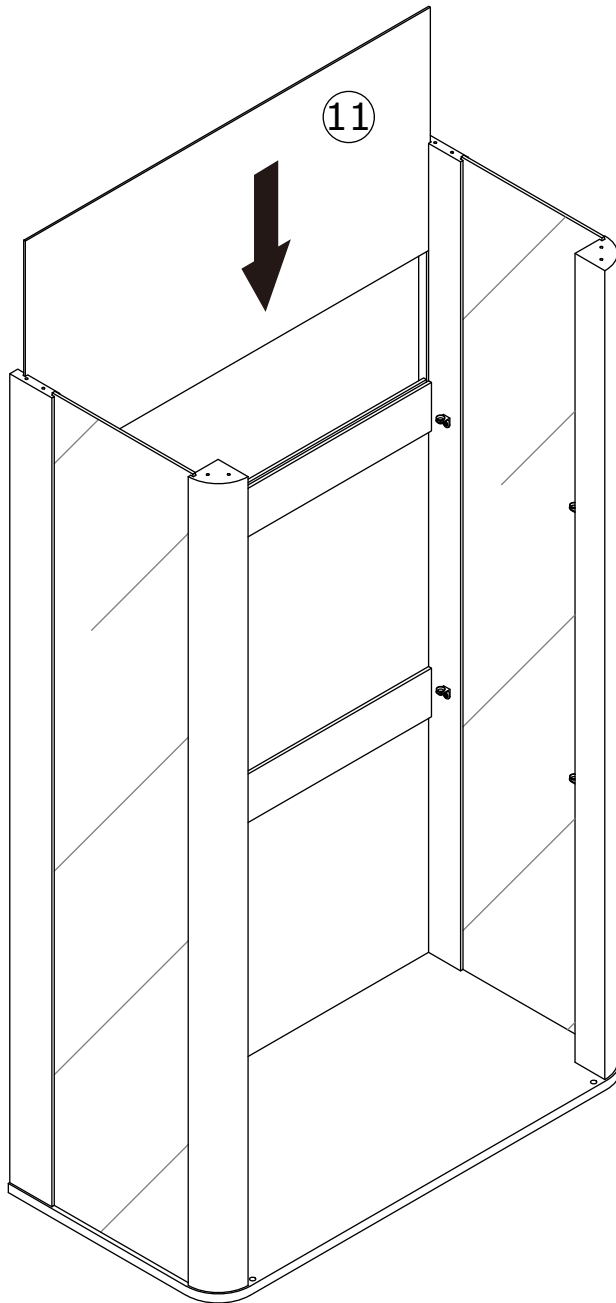


As shown in the figure, connect Panel 1 to Panel 15 with screws (D).

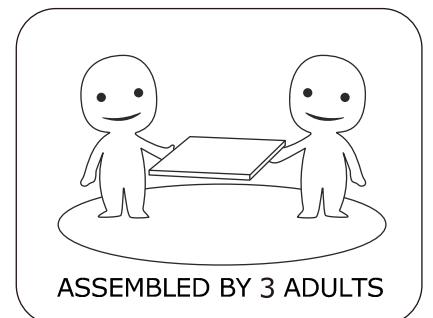


13

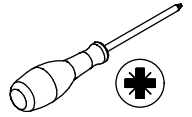
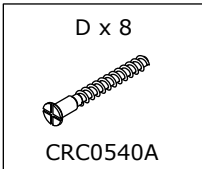
As shown in the figure, insert Panel 11 along the available slot.



Note: To prevent the glass from tipping over, two people are required to hold the glass on both sides during this installation step.



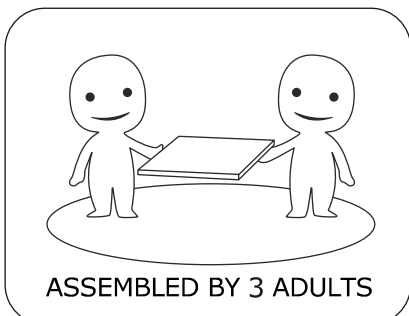
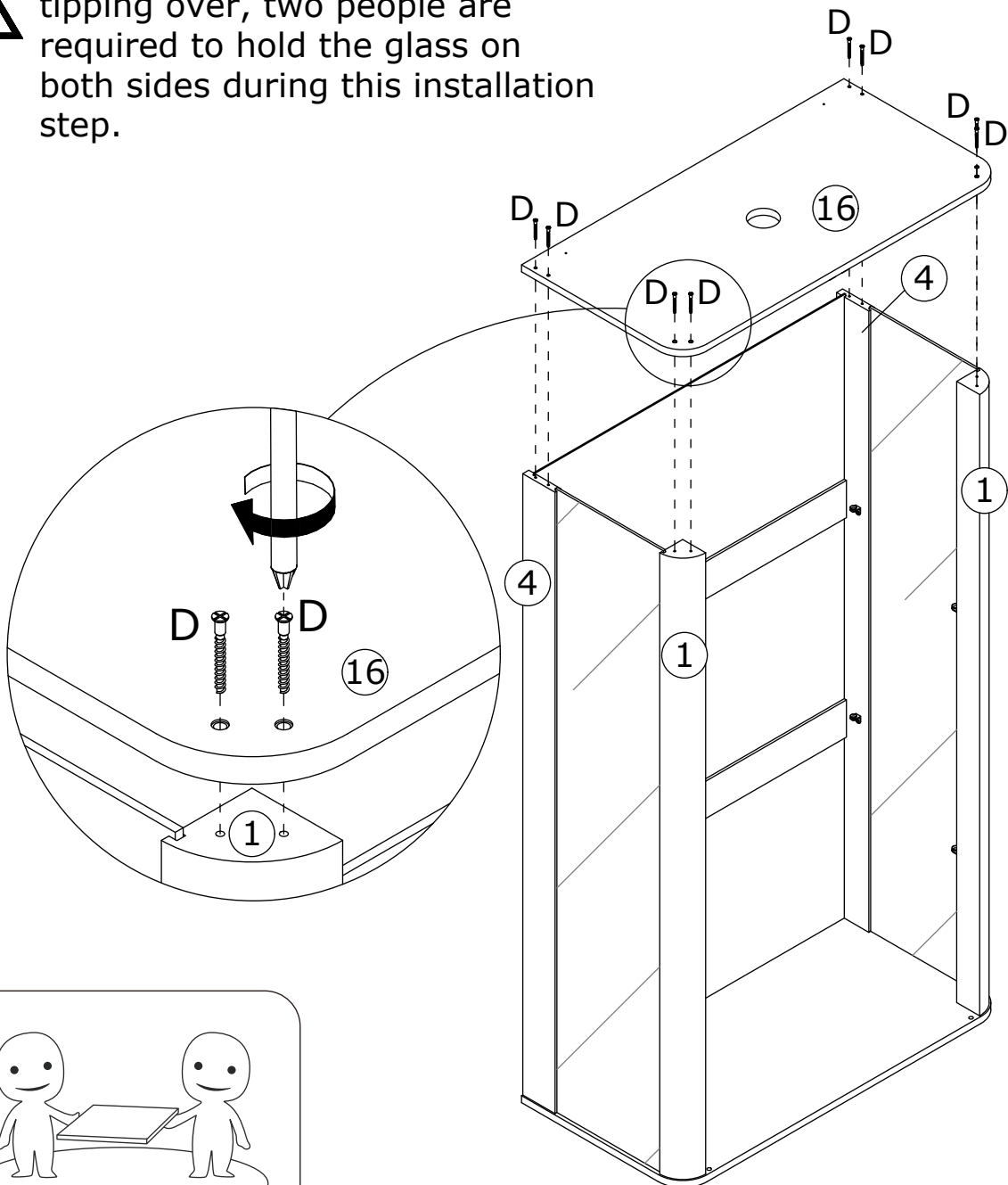
14



As shown in the figure, connect Panel 16 to the installation unit with screws (D).

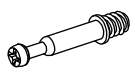


Note: To prevent the glass from tipping over, two people are required to hold the glass on both sides during this installation step.

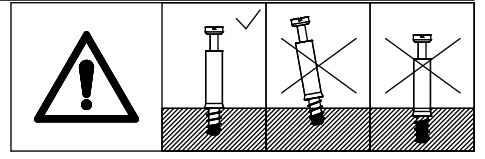
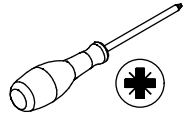


15

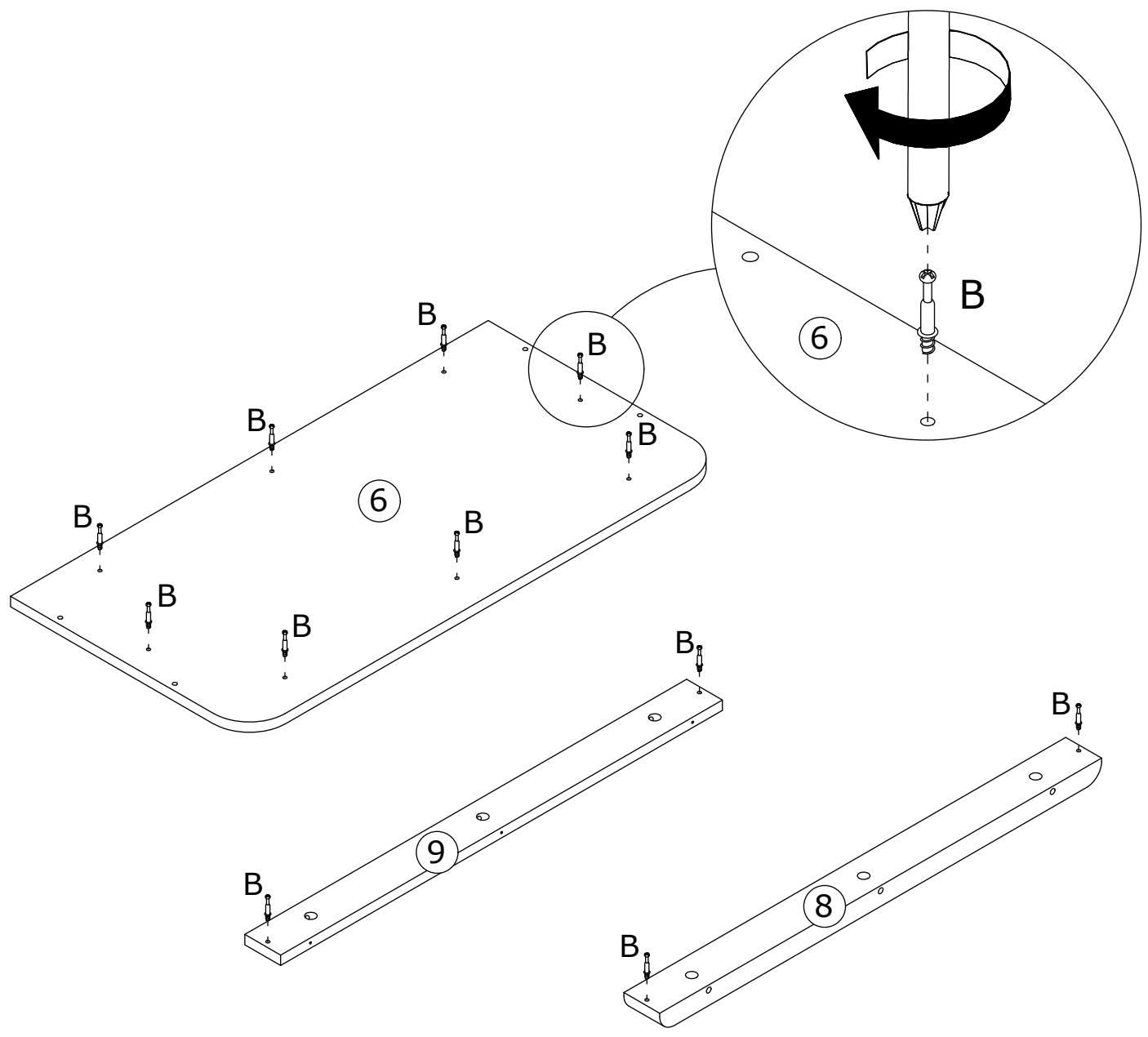
B x 12



CRA0635A

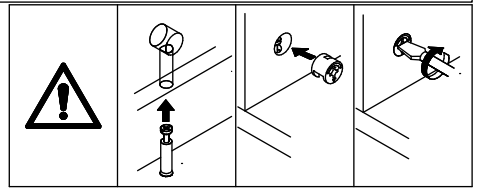
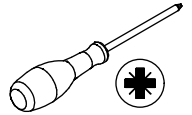


As shown in the figure, screw the self-tapping rods (B) into Panel 6, Panel 8 and Panel 9.

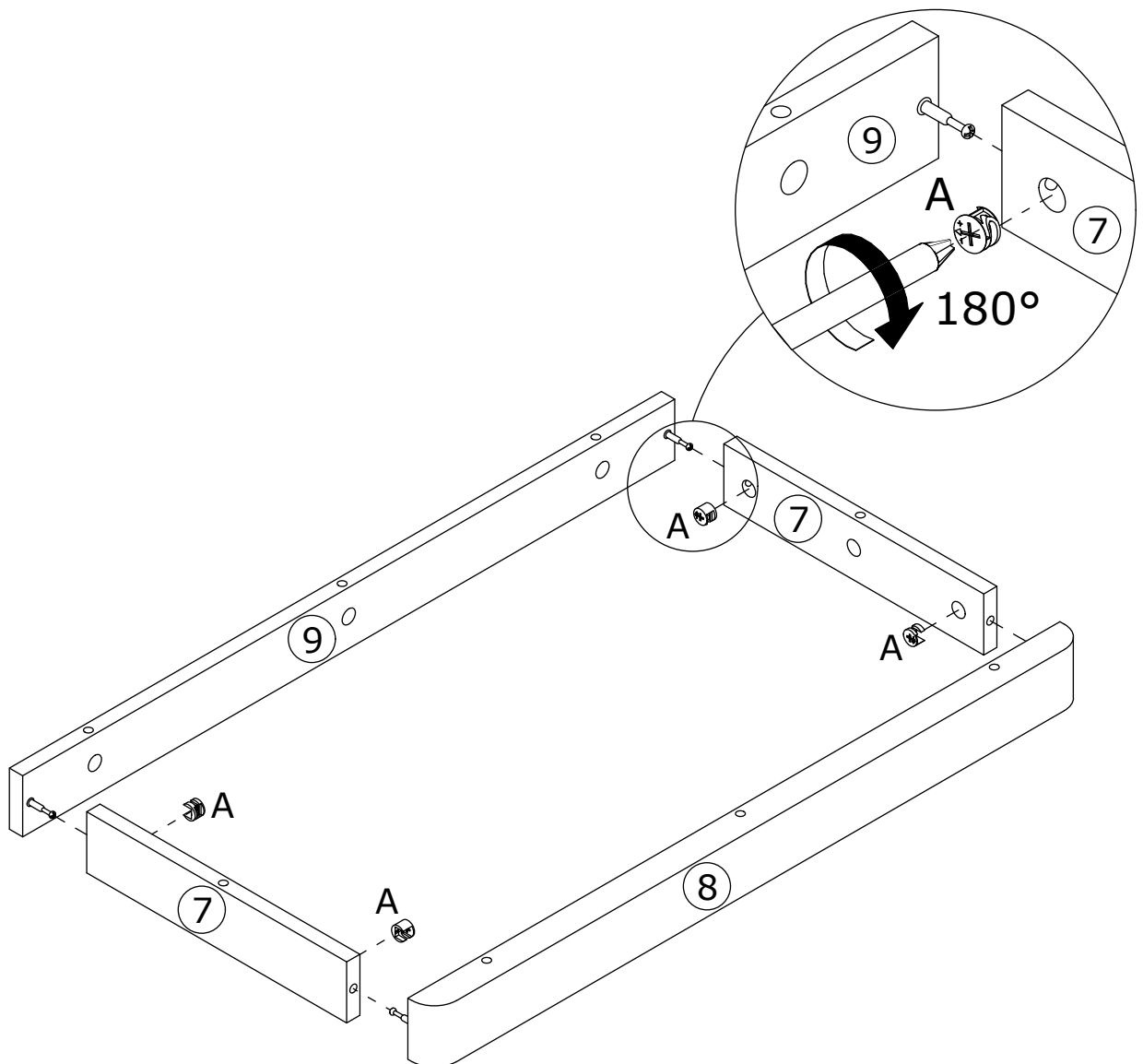


16

A x 4
CRB1595A

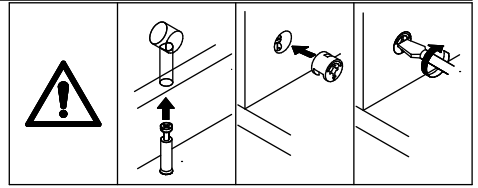
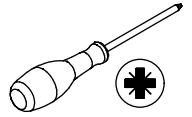


As shown in the figure,
Connect Panel 8 and Panel 9 to Panel 7.
Insert the eccentric wheel (A) and rotate it clockwise to tighten.

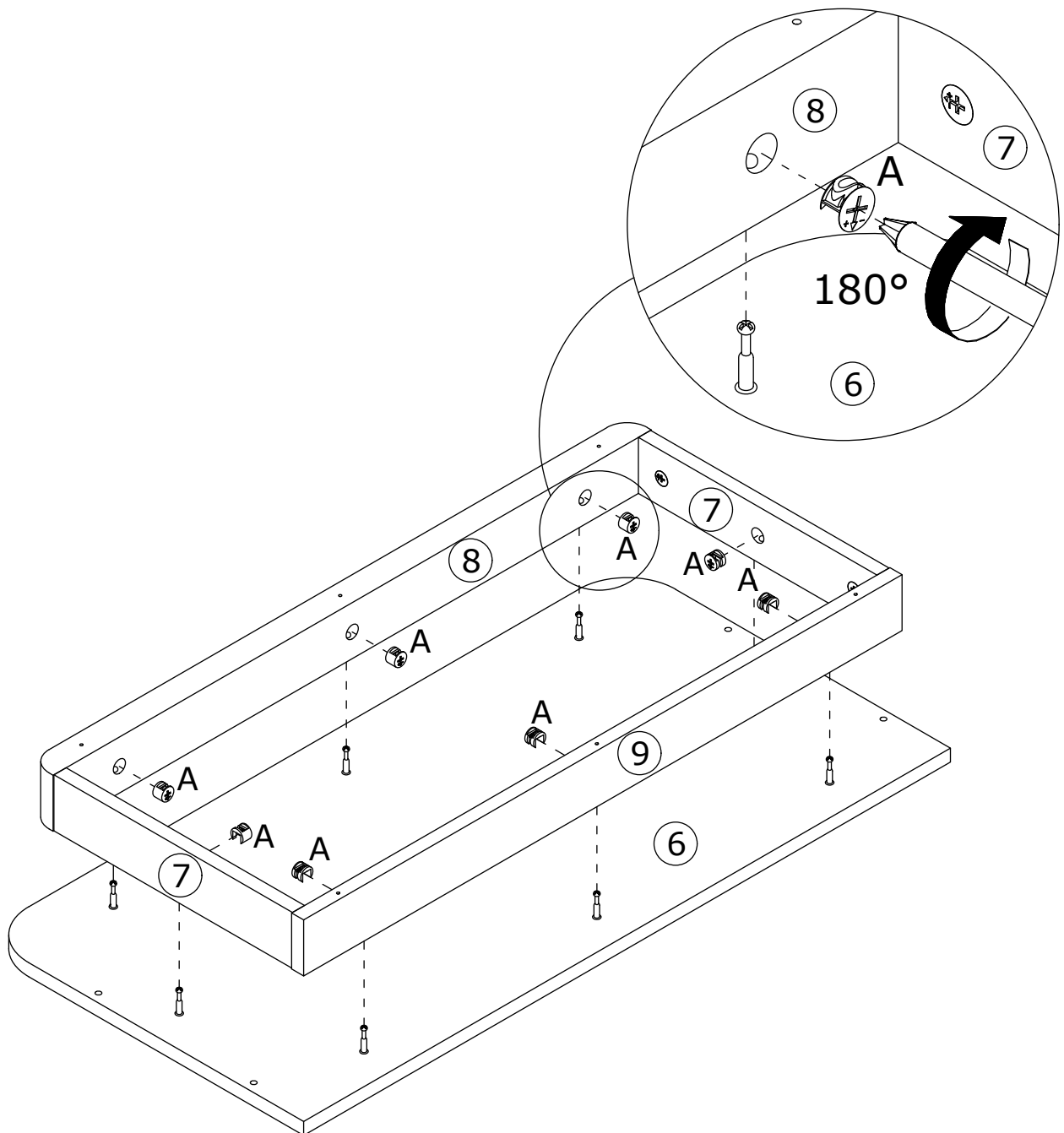


17

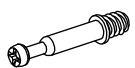

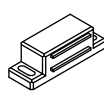
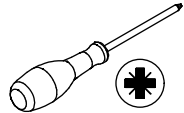
A x 8
CRB1595A

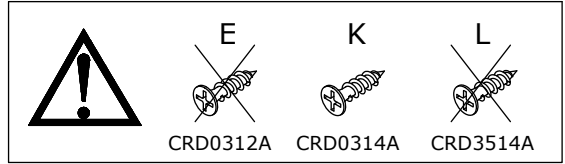
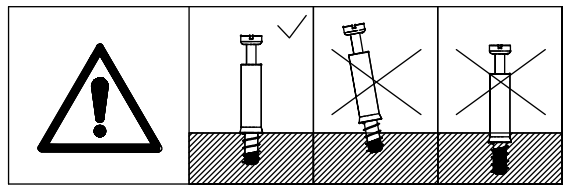


As shown in the figure,
Connect Panel 7, Panel 8 and Panel 9 to Panel 6.
Insert the eccentric wheel (A) and rotate it clockwise to tighten.

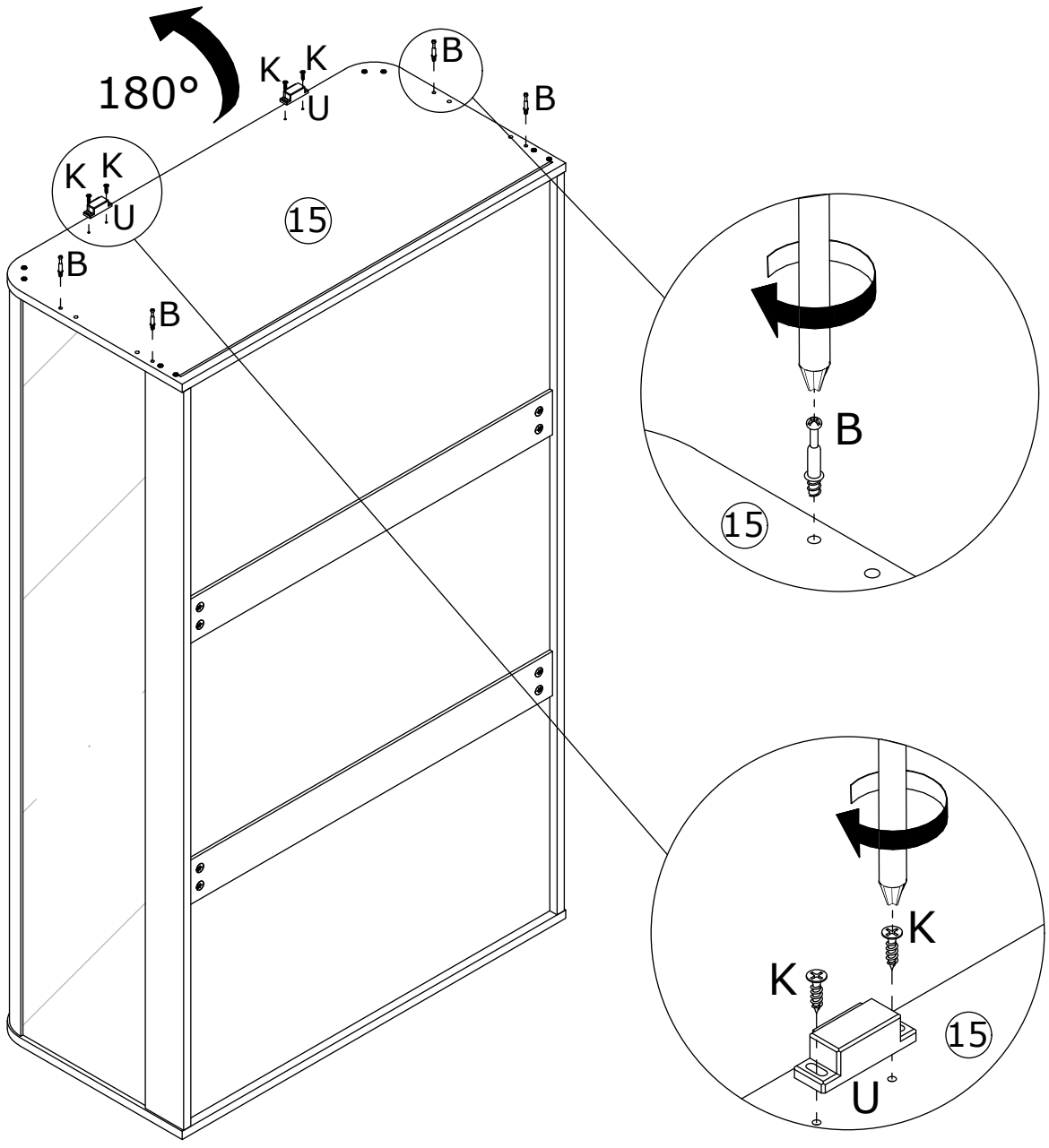


18

B x 4  CRA0635A	K x 4  CRD0314A	U x 2 	
--	--	--	---



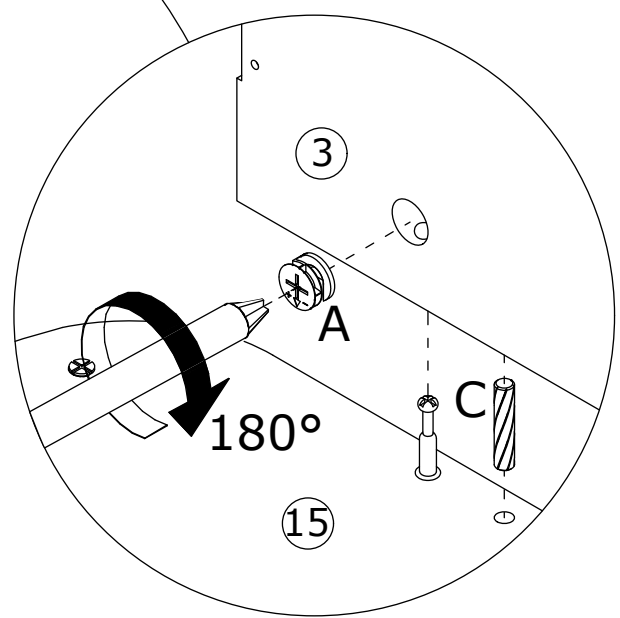
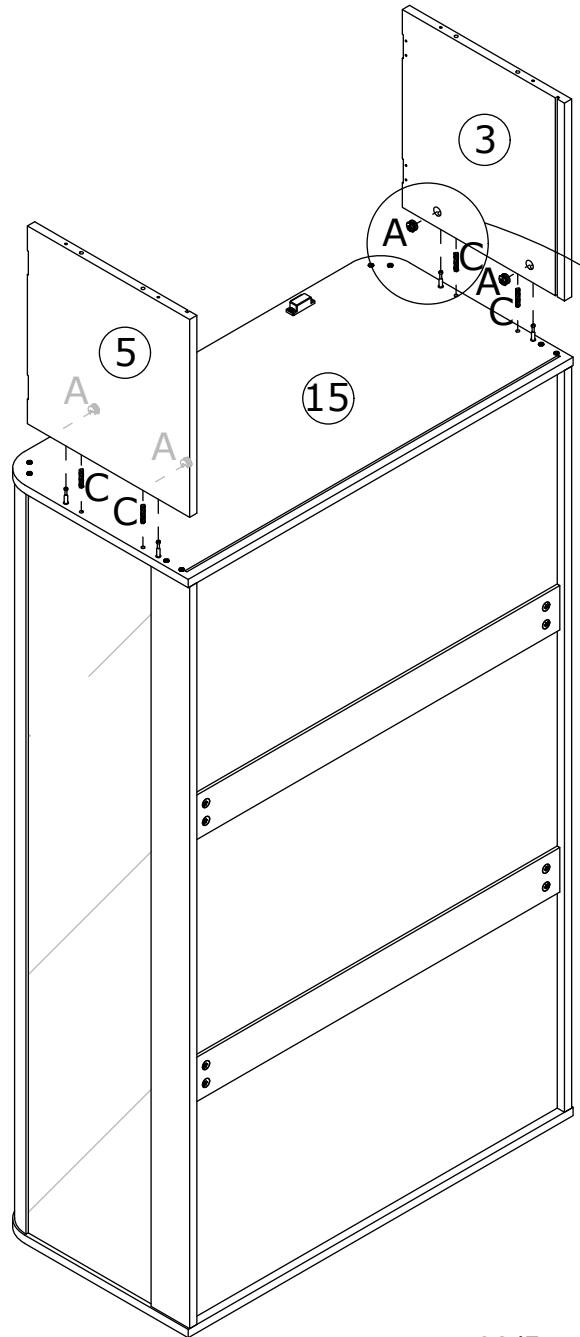
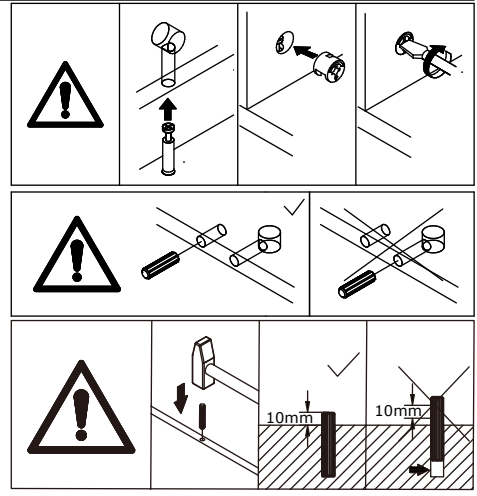
As shown in the figure,
Screw the self-tapping rods (B) into Panel 15.
Install Component (U) onto Panel 15 with screws (K).



19

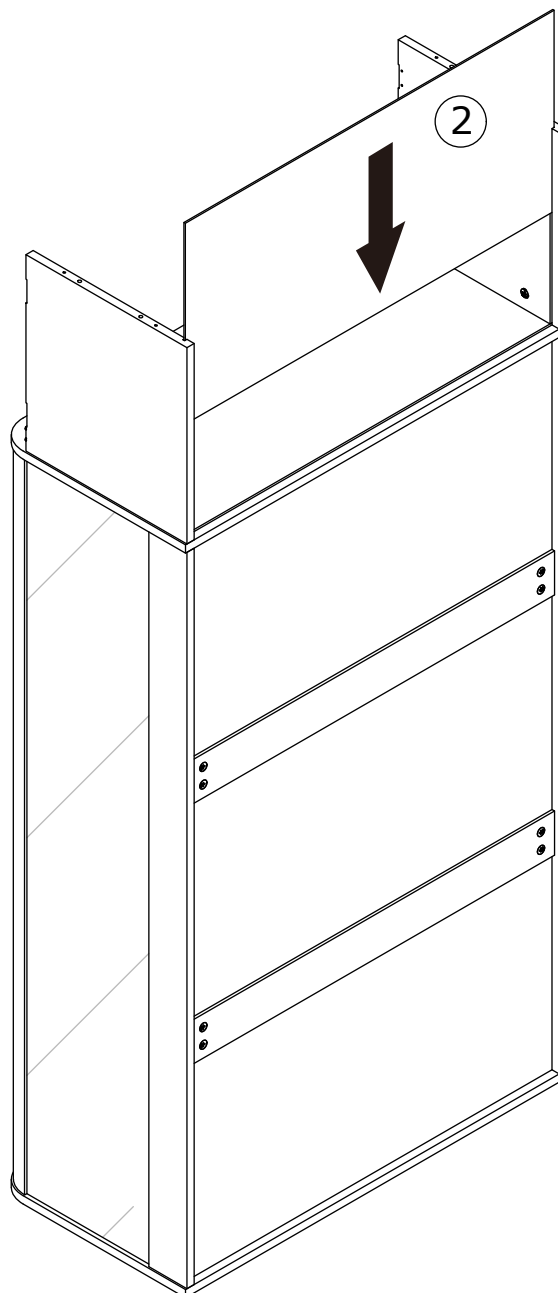


As shown in the figure,
Use dowels (C) to connect Panel 3 and Panel 5
to Panel 15.
Insert the eccentric wheel (A) and rotate it
clockwise to tighten.

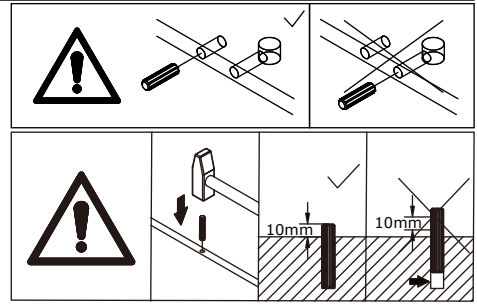


20

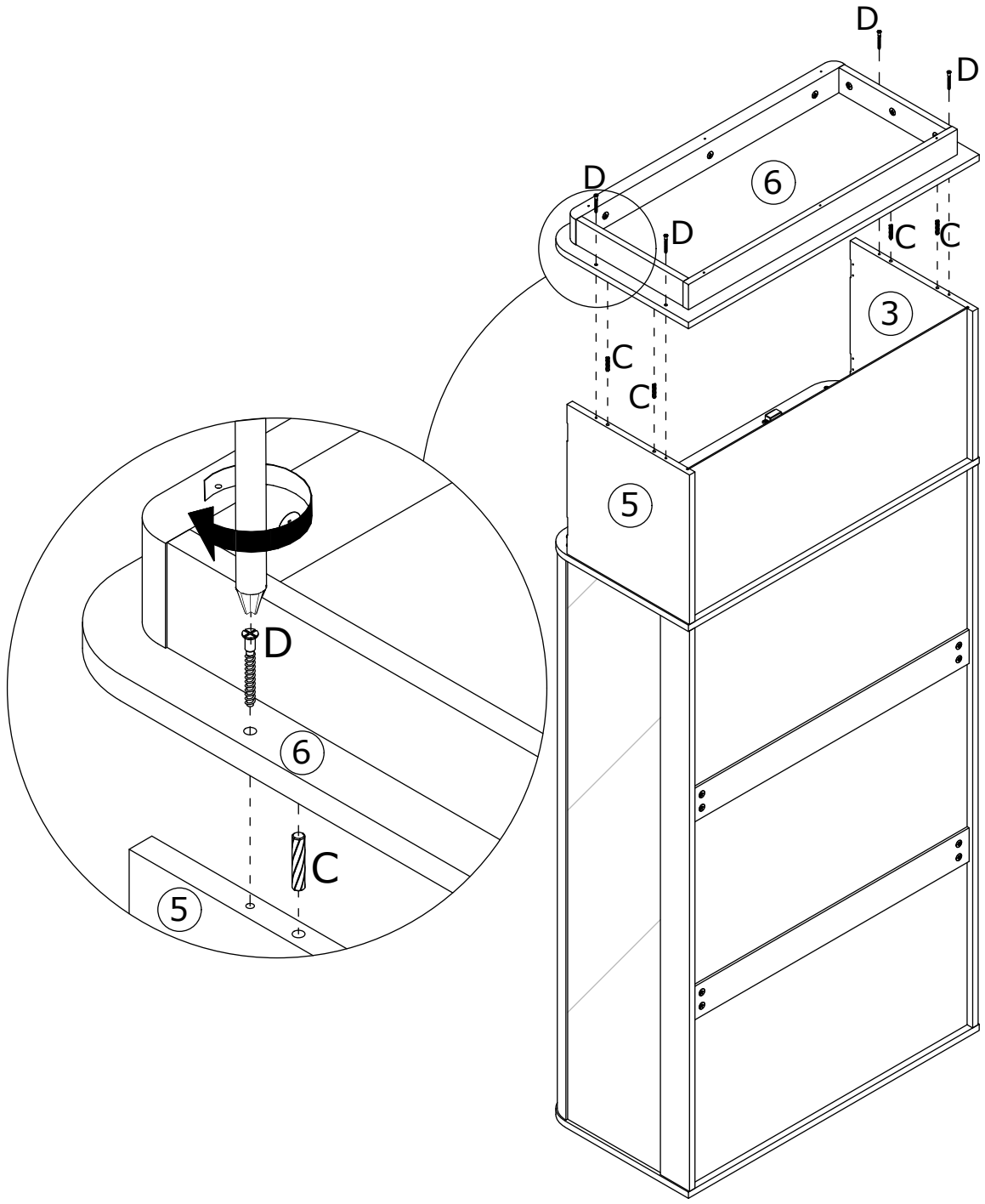
As shown in the figure, insert Panel 2 along the available slot.



21



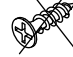



As shown in the figure,
Use dowels (C) to connect Panel 6 to Panel 3 and Panel 5.
Fix them with screws (D).

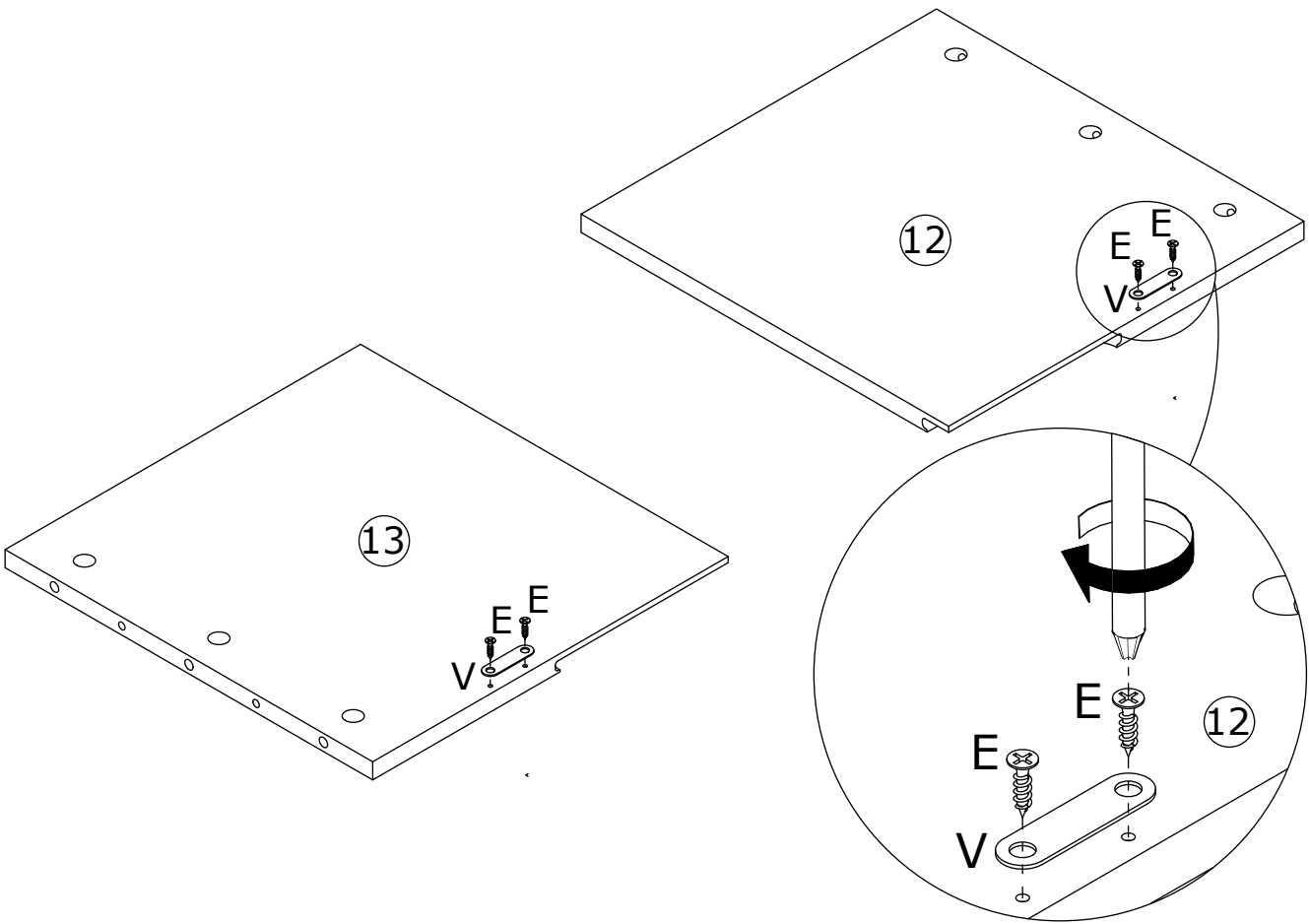


22

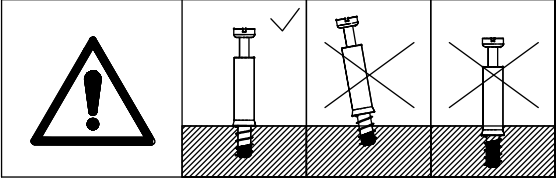
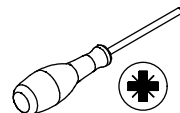
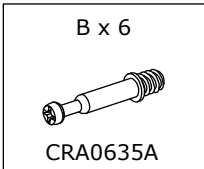
E x 4  CRD0312A	V x 2 	
--	--	---

	E  CRD0312A	K  CRD0314A	L  CRD3514A
--	--	---	---

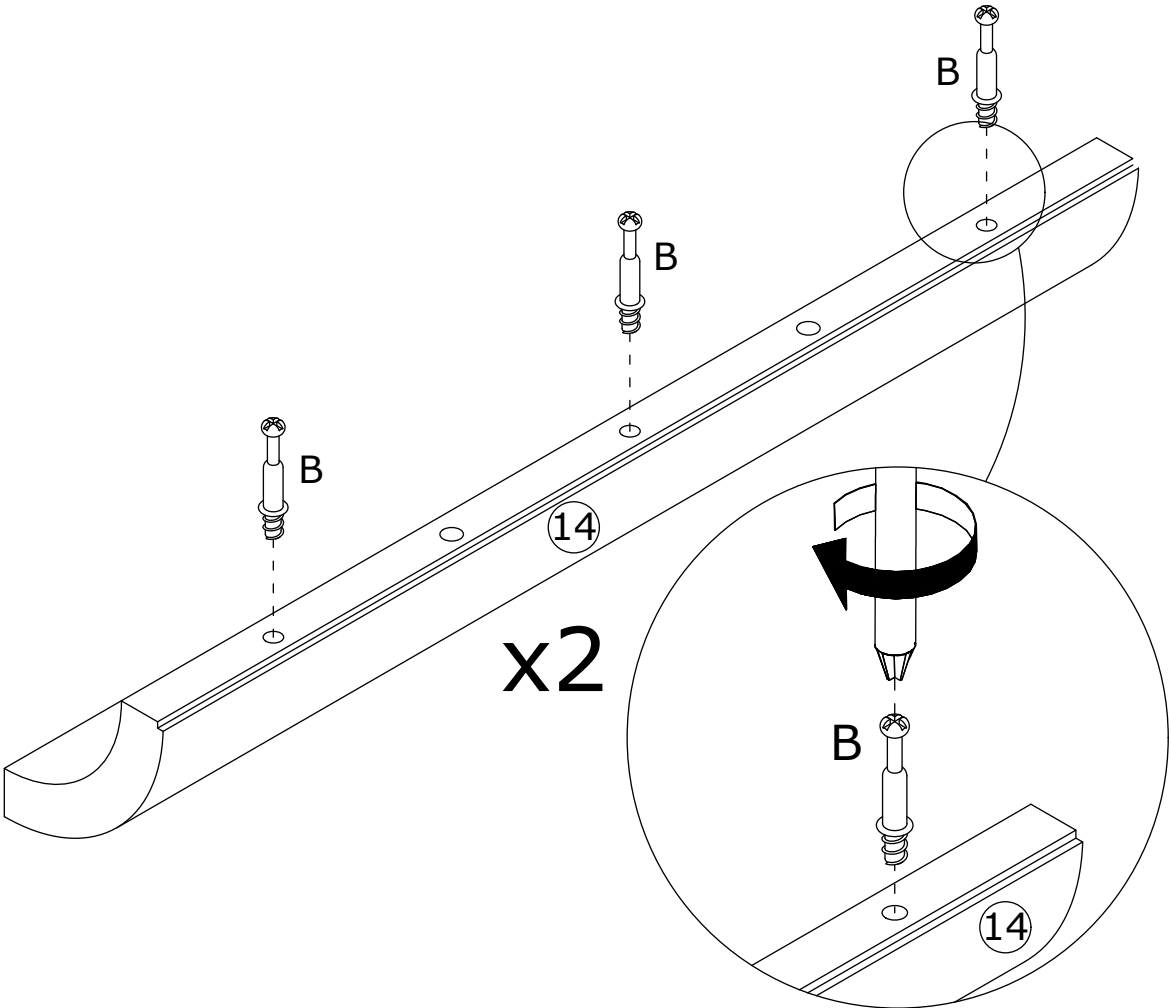
As shown in the figure,
Install Component (V) onto Panel 12 with screws (E).
Install Component (V) onto Panel 13 with screws (E).



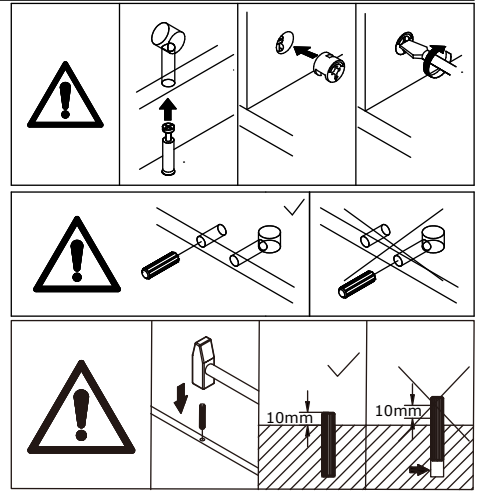
23



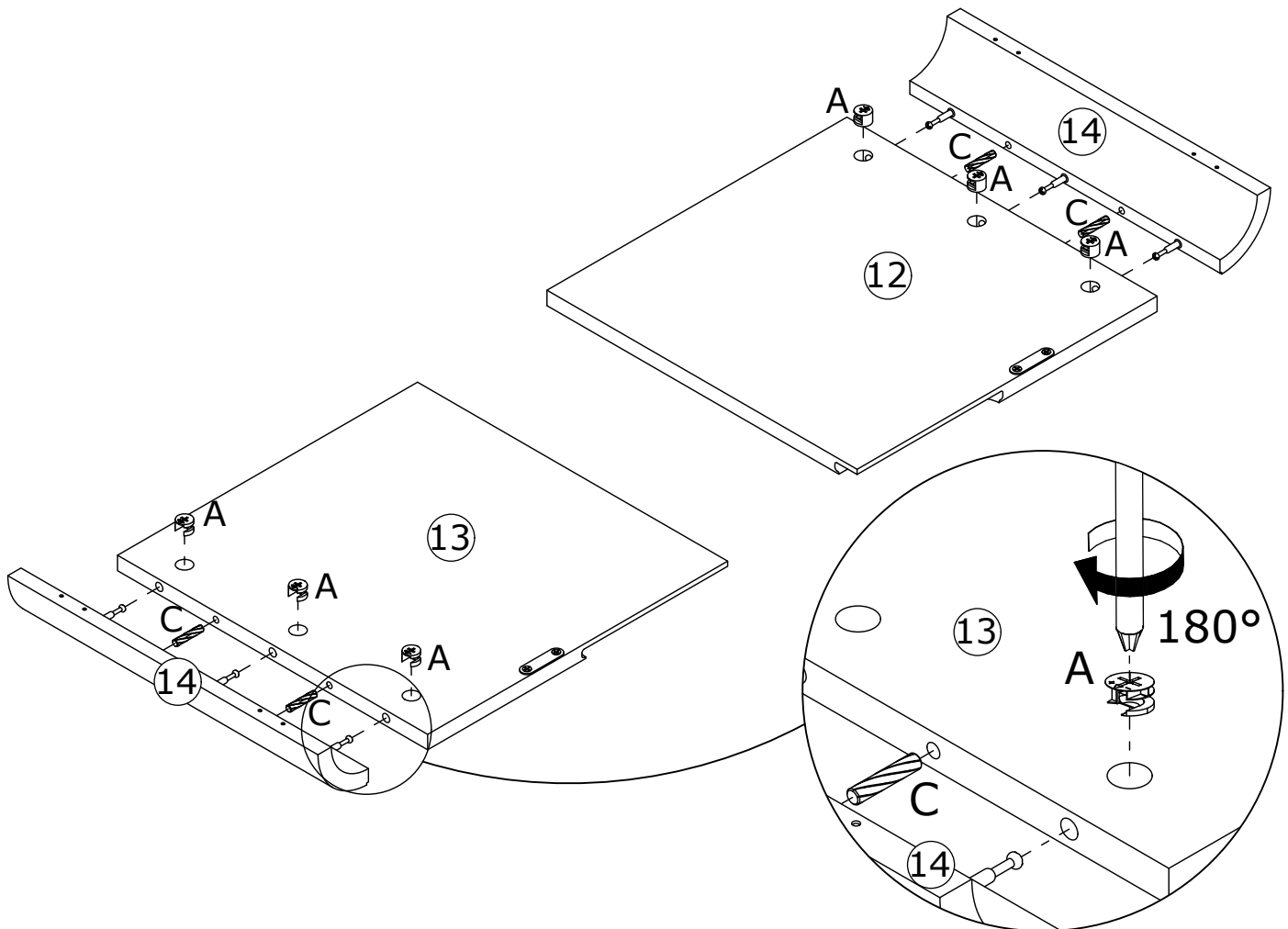
As shown in the figure, screw the self-tapping rods (B) into Panel 14.



24


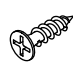
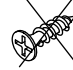
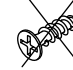


As shown in the figure,
Use dowels (C) to connect Panel 14 to Panel 12 and Panel 13.
Insert the eccentric wheel (A) and rotate it clockwise to tighten.

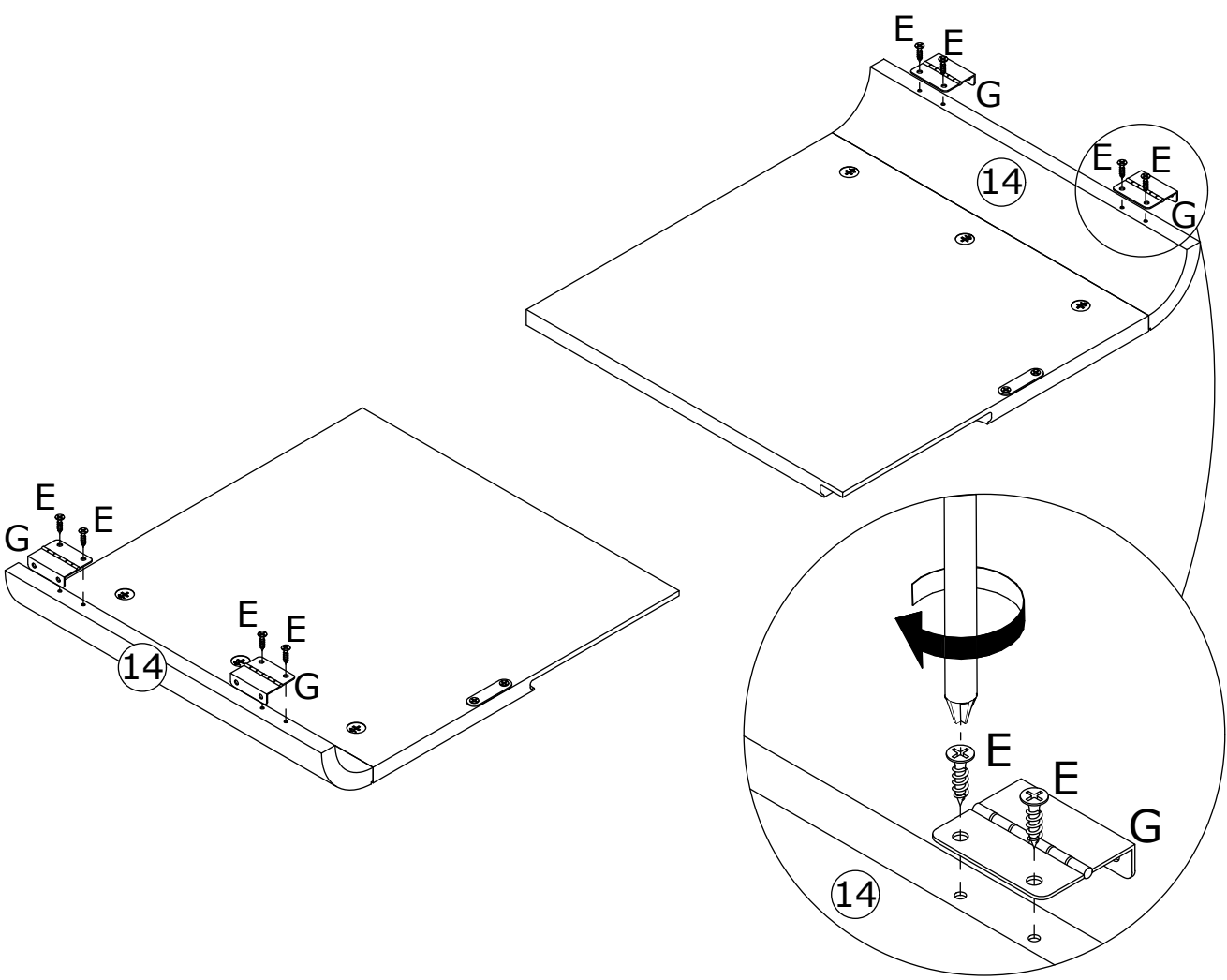


25

E x 8  CRD0312A	G x 4 	
--	--	---

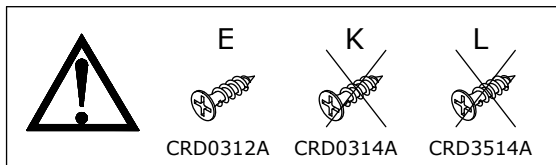
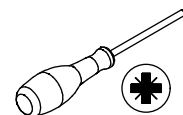
	E  CRD0312A	K  CRD0314A	L  CRD3514A
--	--	---	---

As shown in the figure, install the hinge (G) onto Panel 14 with screws (E).

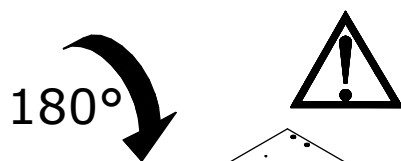


26

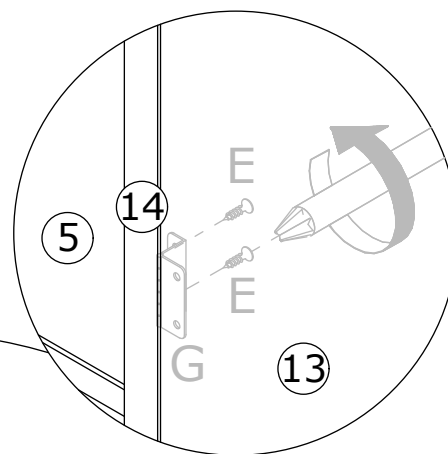
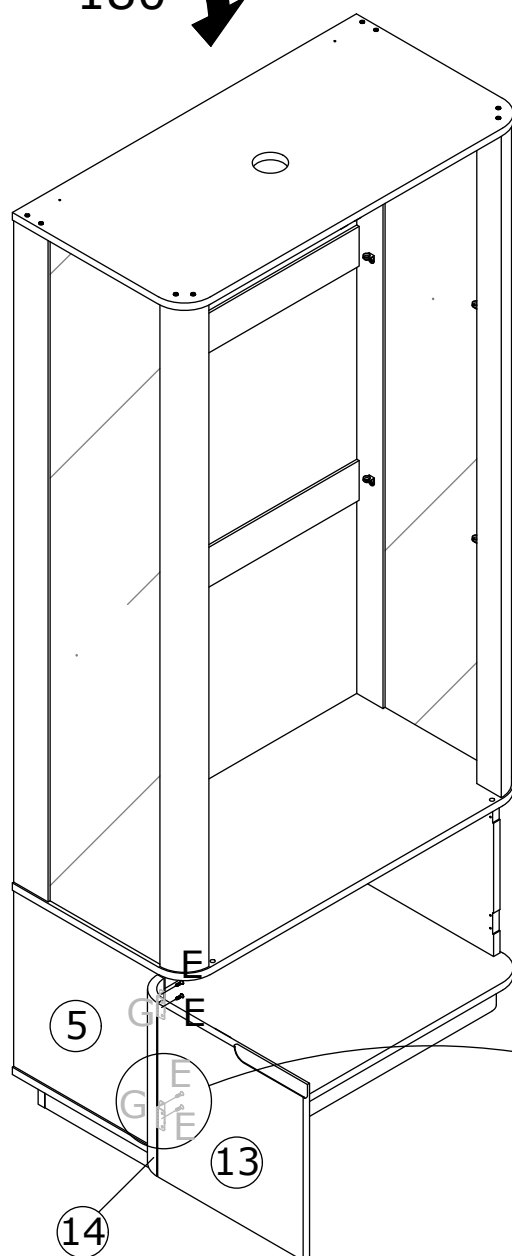
E x 4
CRD0312A



As shown in the figure, install the hinge (G) onto Panel 5 with screws (E).

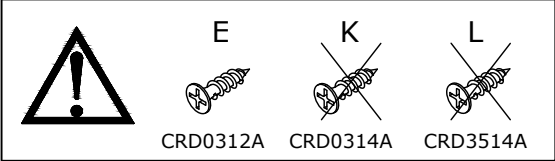
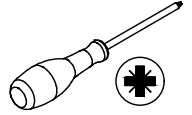


Note: Prevent glass from being damaged.

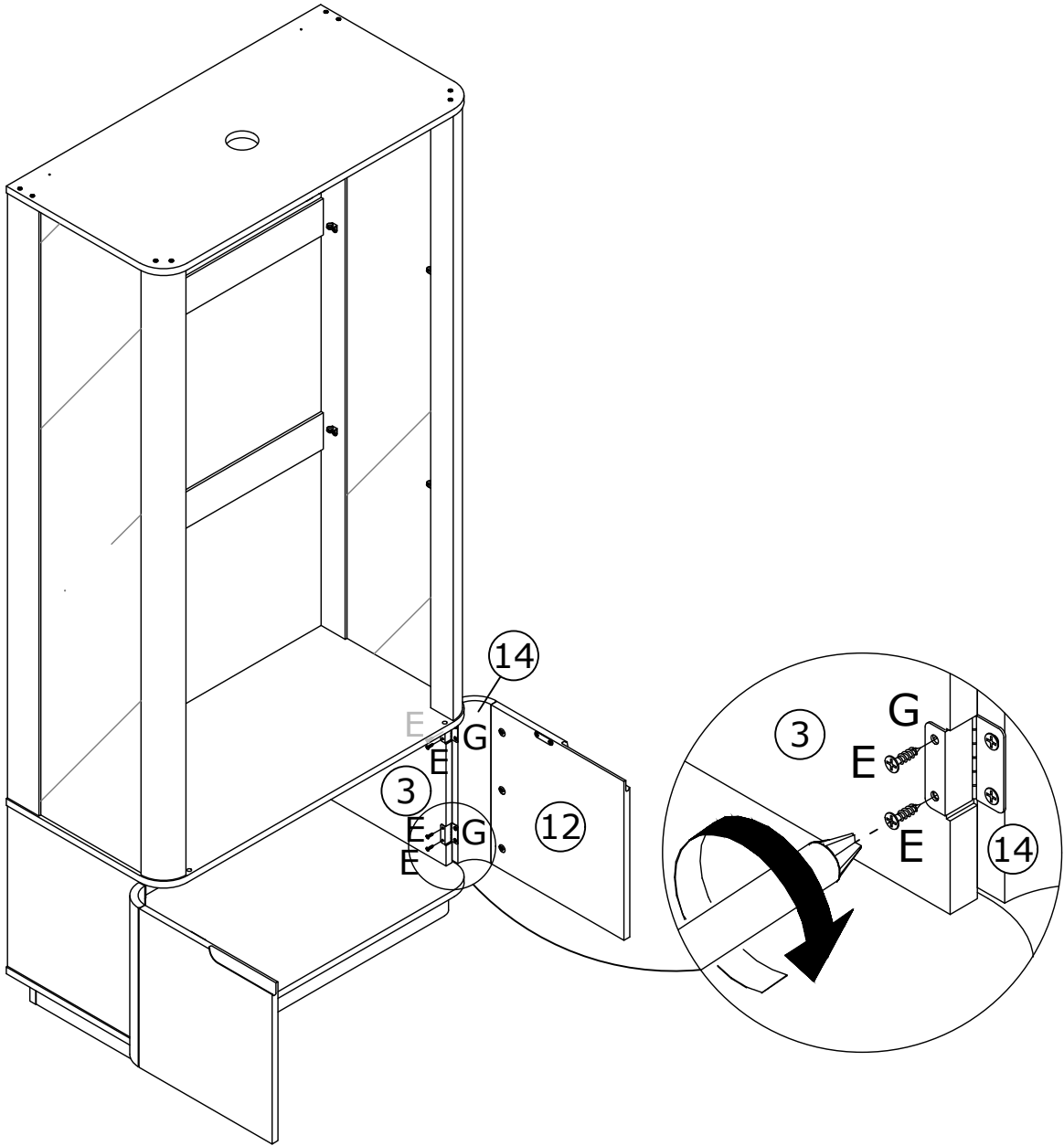


27

E x 4
CRD0312A







As shown in the figure, install the hinge (G) onto Panel 3 with screws (E).

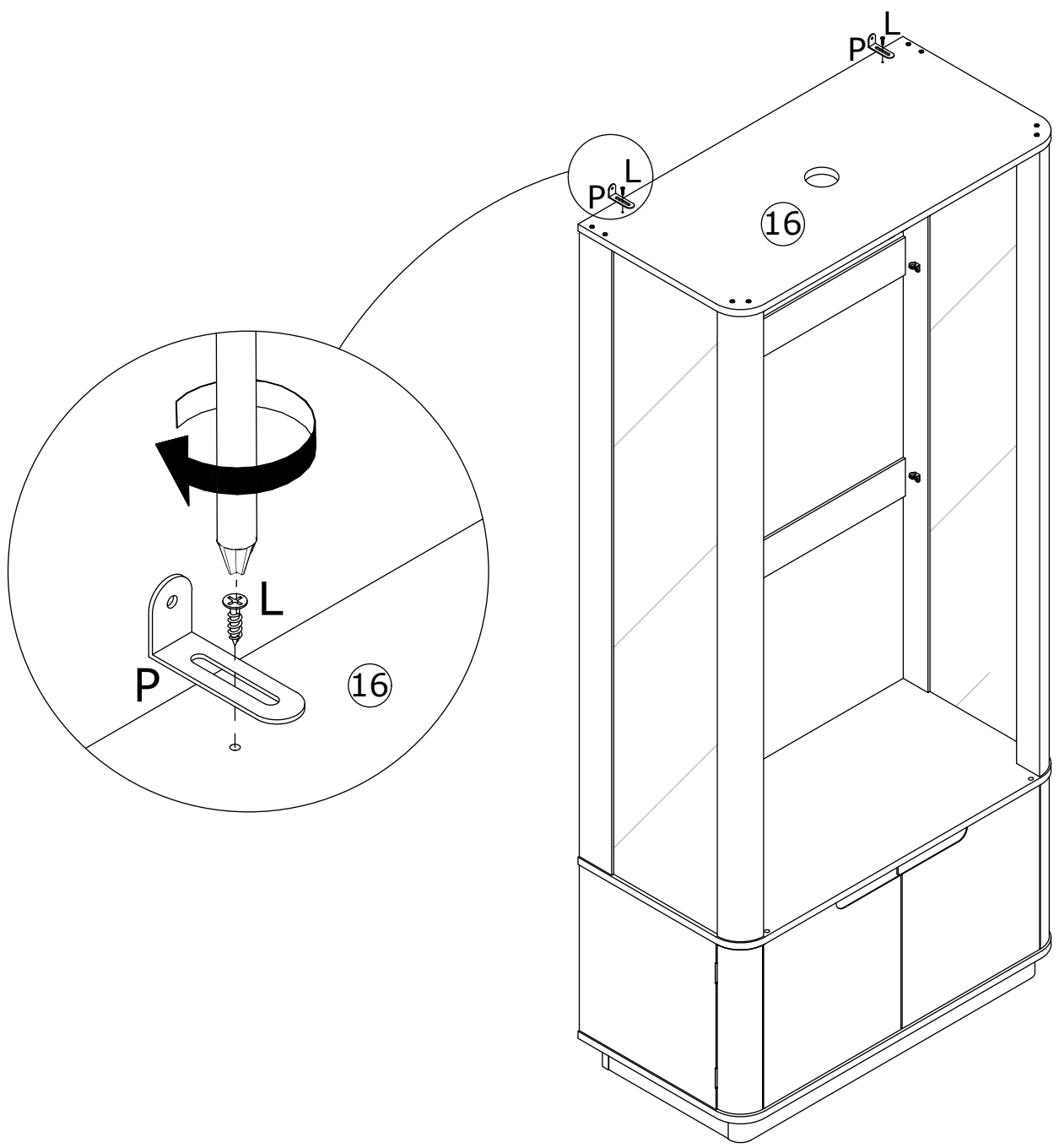


28

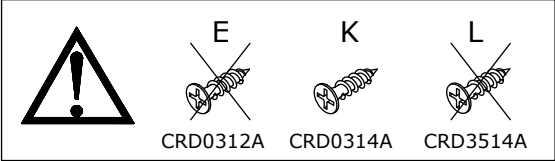
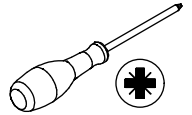
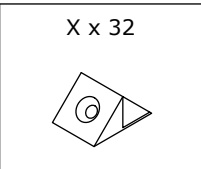
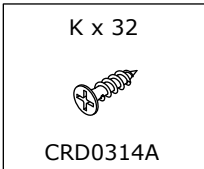
L x 2  CRD3514A	P x 2 	
--	--	---

	E  CRD0312A	K  CRD0314A	L  CRD3514A
--	---	---	--

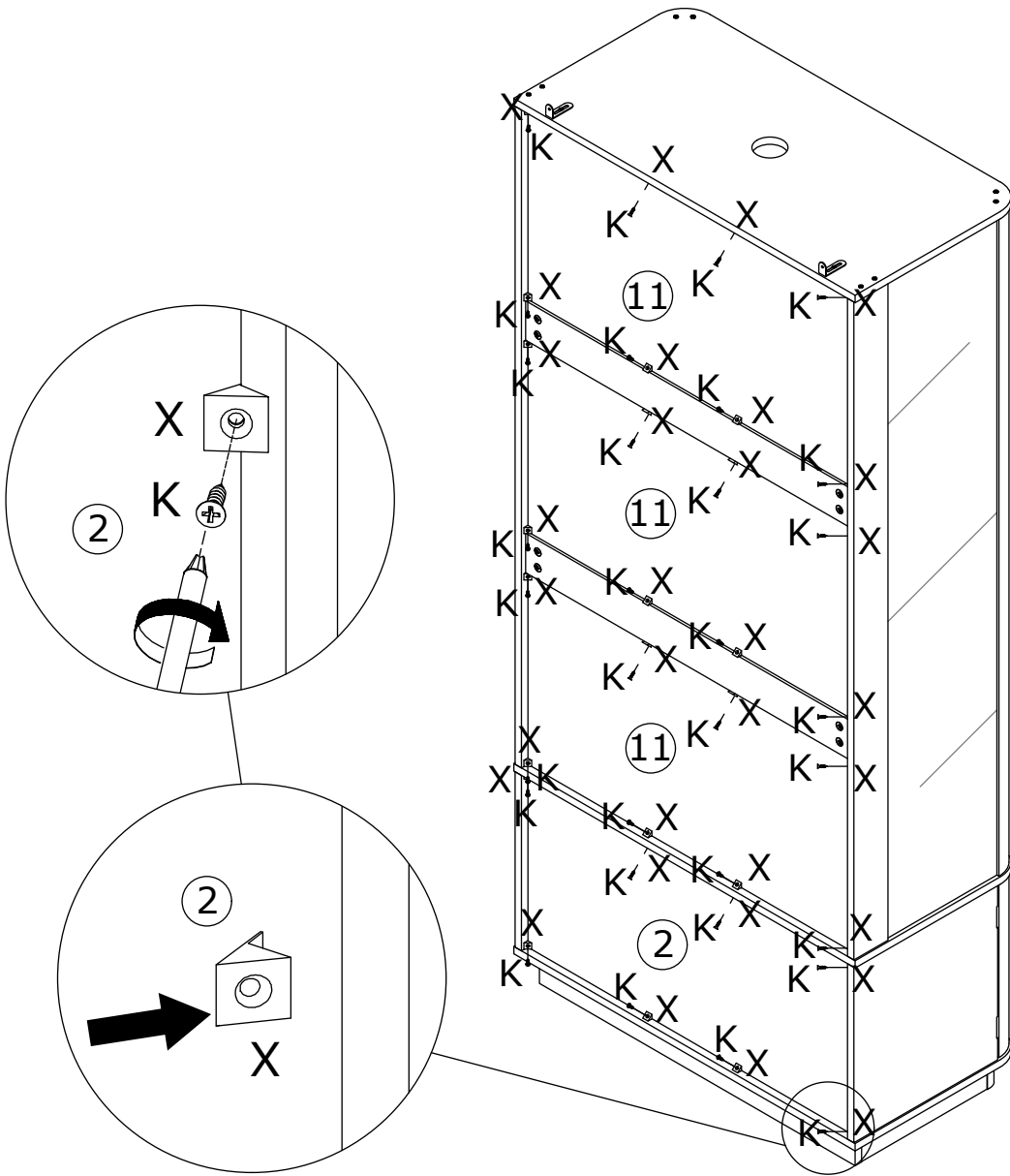
As shown in the figure, install Component (P) onto Panel 16 with screws (L).



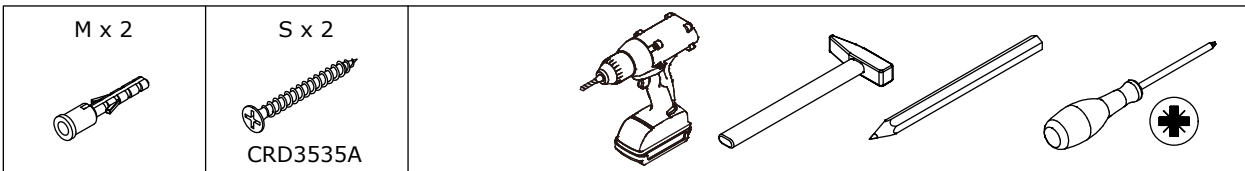
29



As shown in the figure,
Insert Component (X) along the available slot.
Fix it with screws (K).

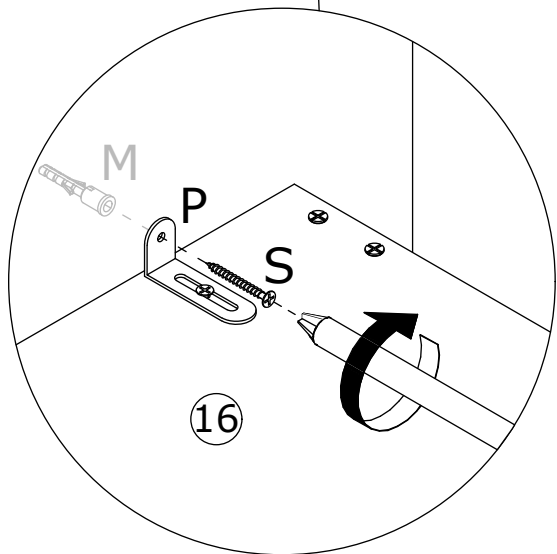
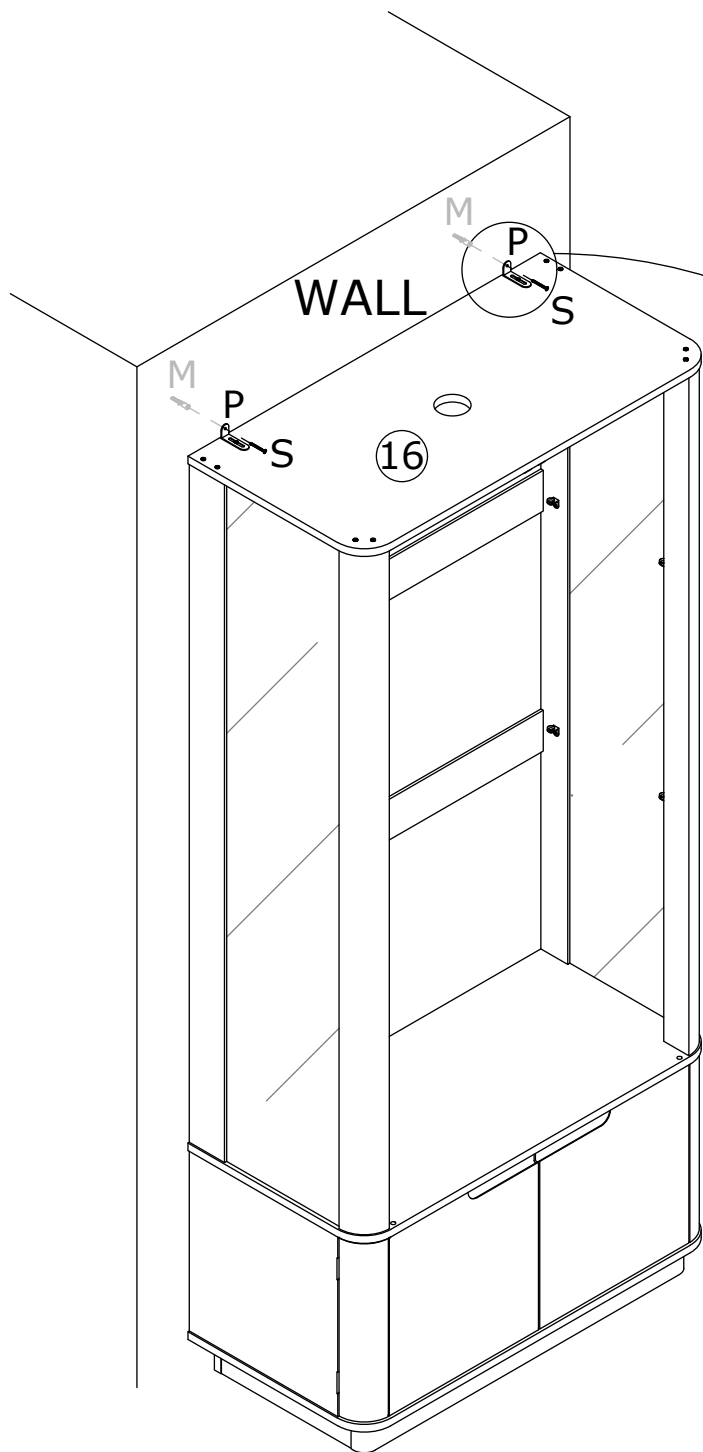


30

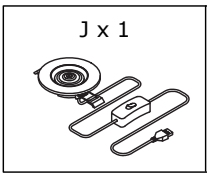


As shown in the figure, install the anti-tip device.

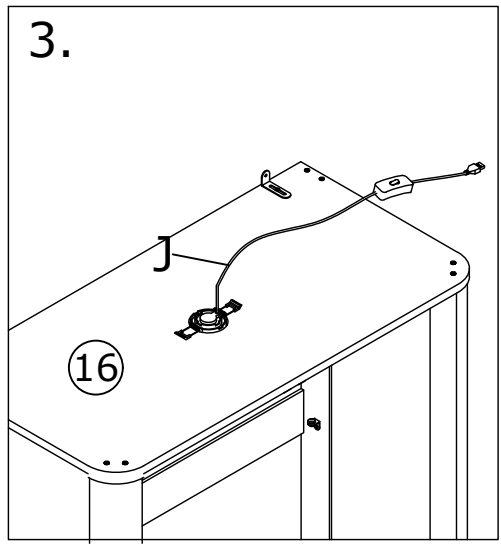
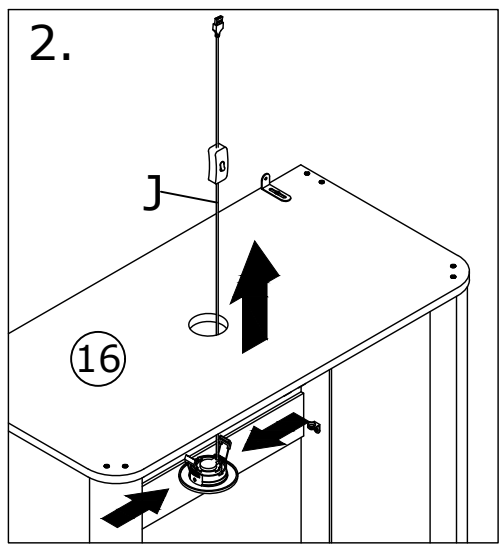
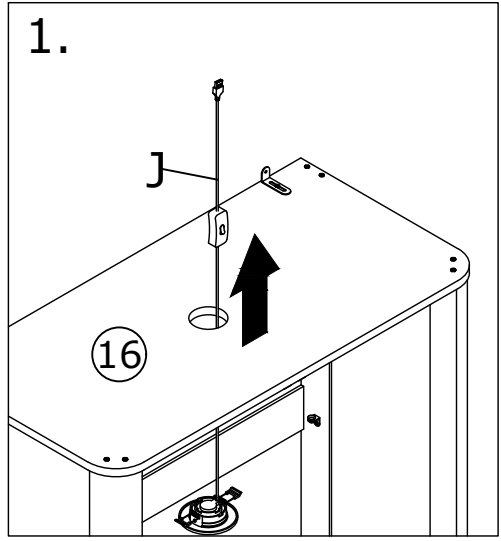
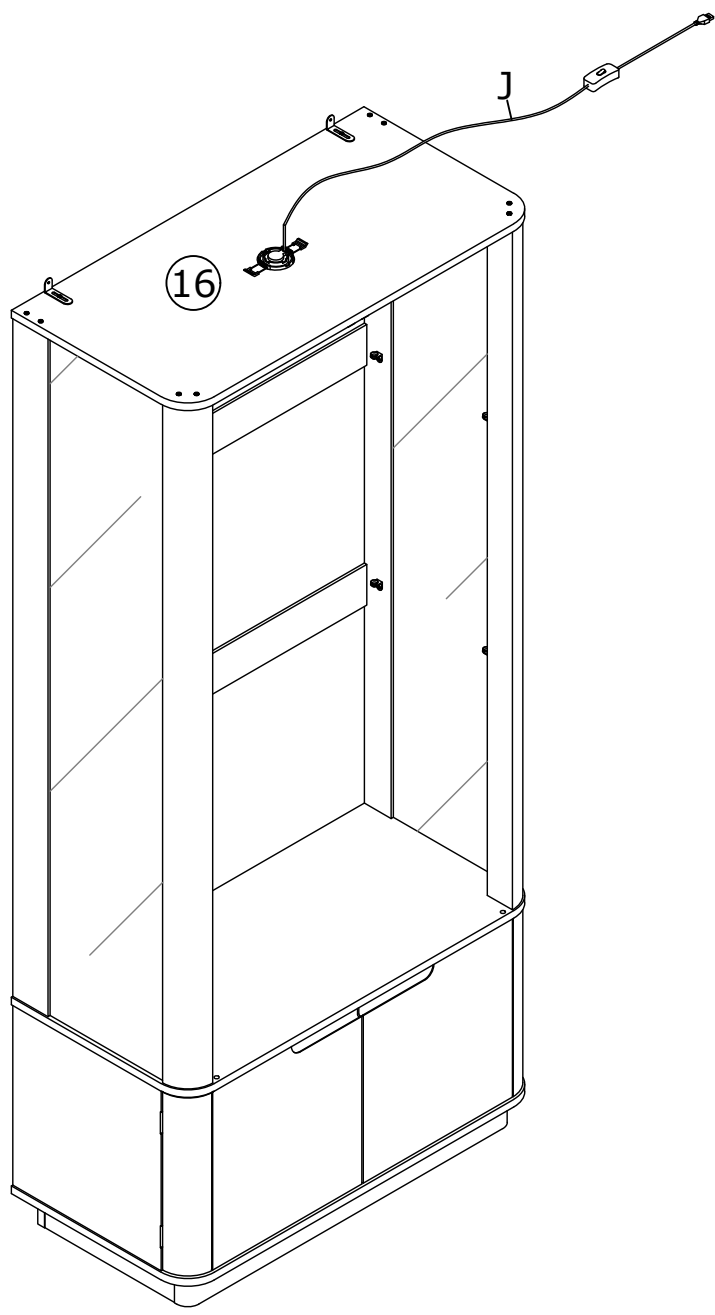
- 1.
- 2.
- 3.
- 4.



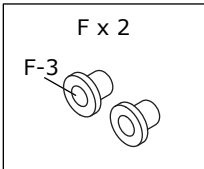
31



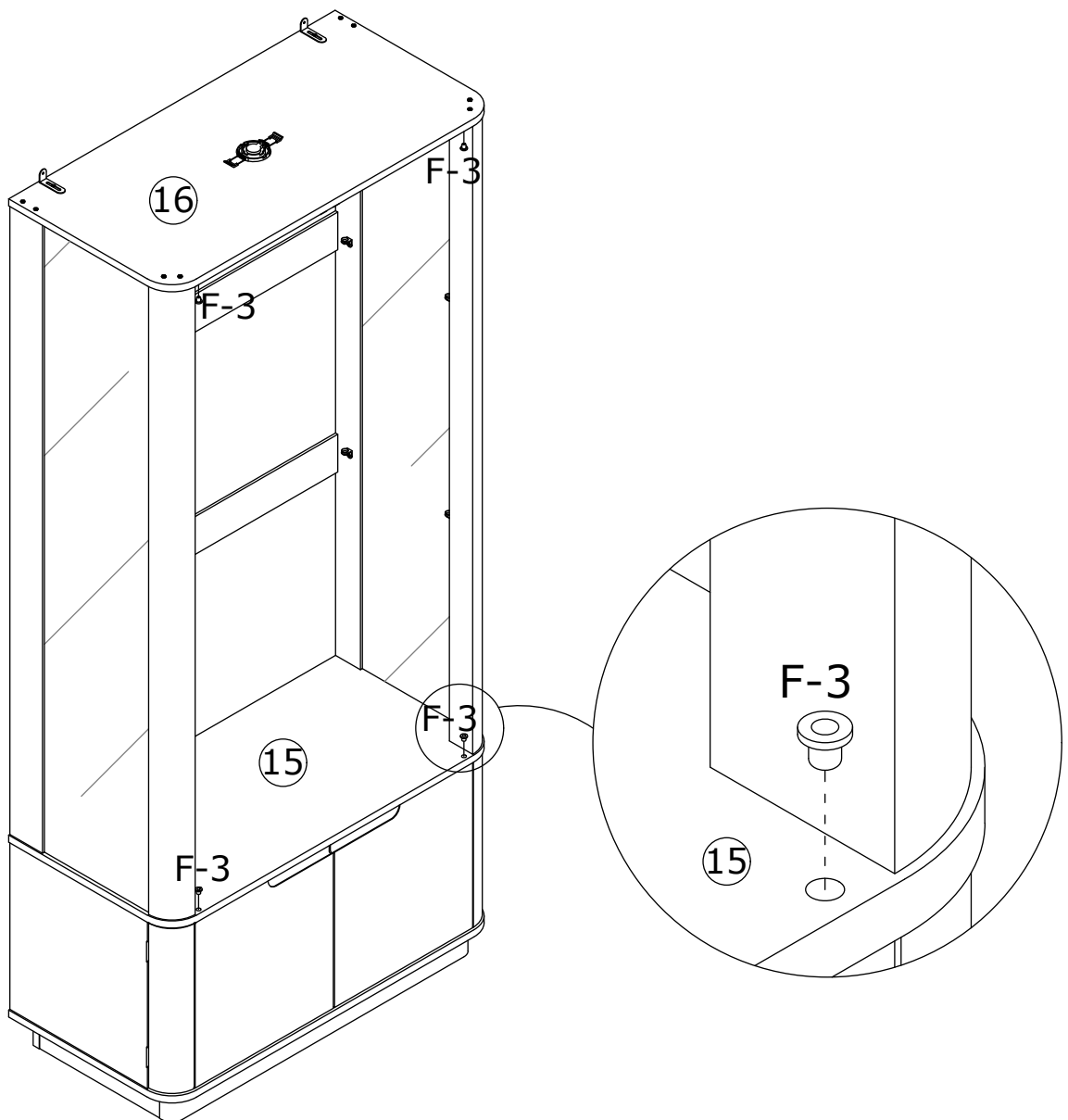
As shown in the figure, install Component (J) onto Panel 16.

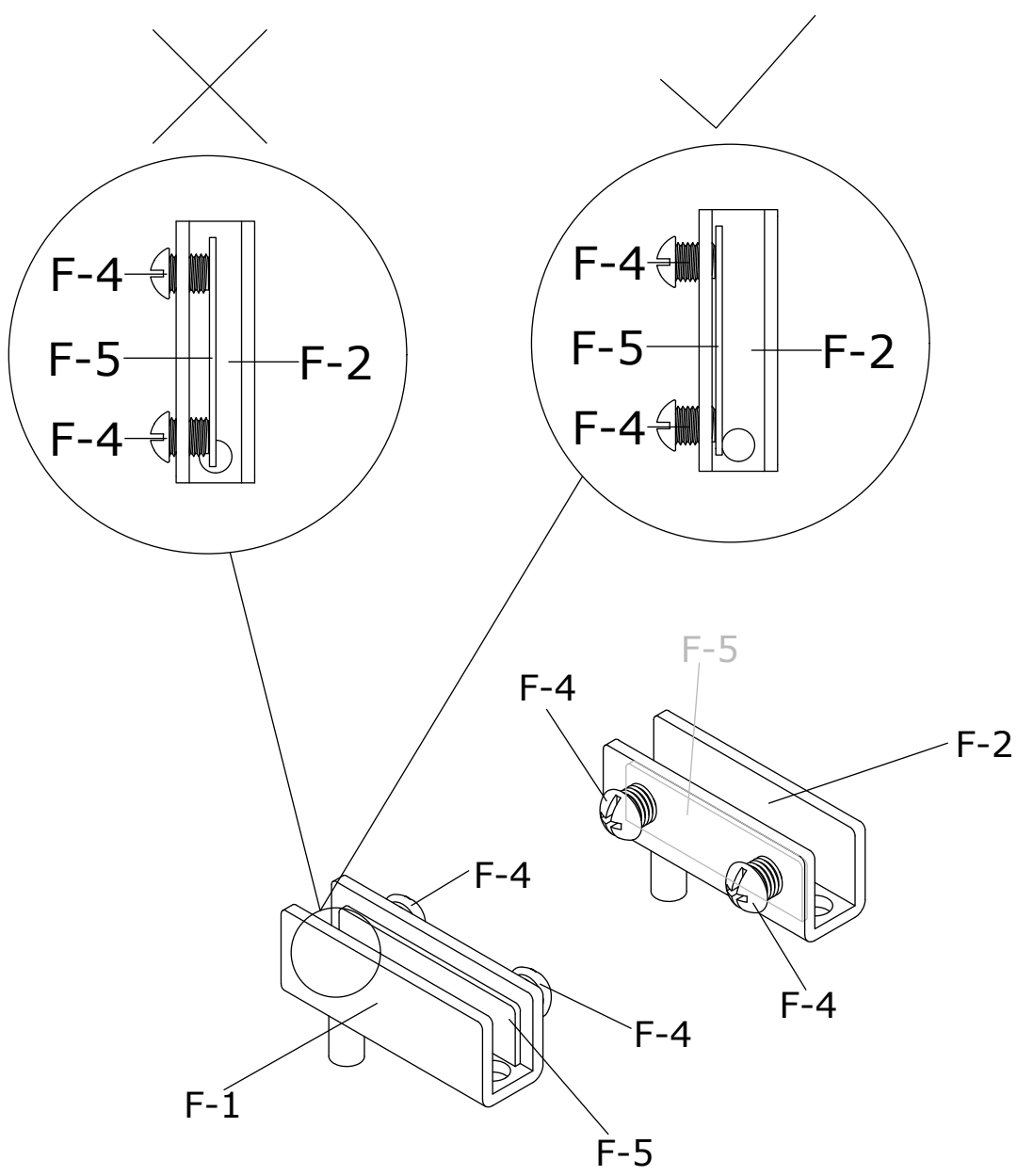


32

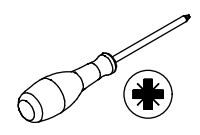
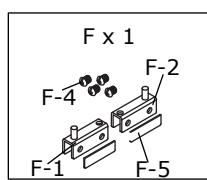


As shown in the figure, install Component F (F-3) onto Panel 15 and Panel 16.

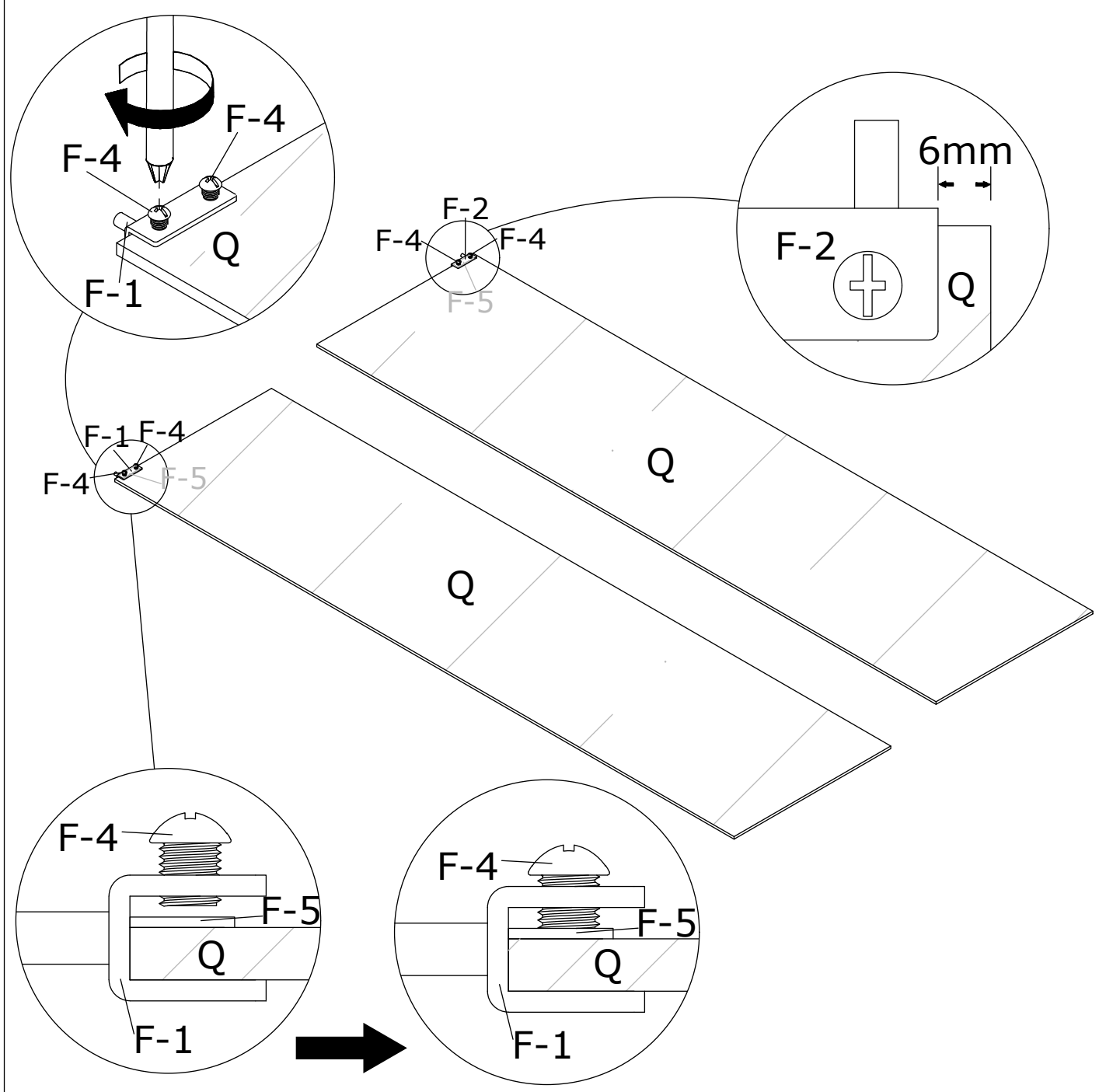




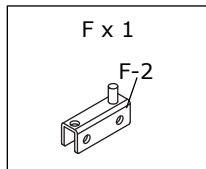
34



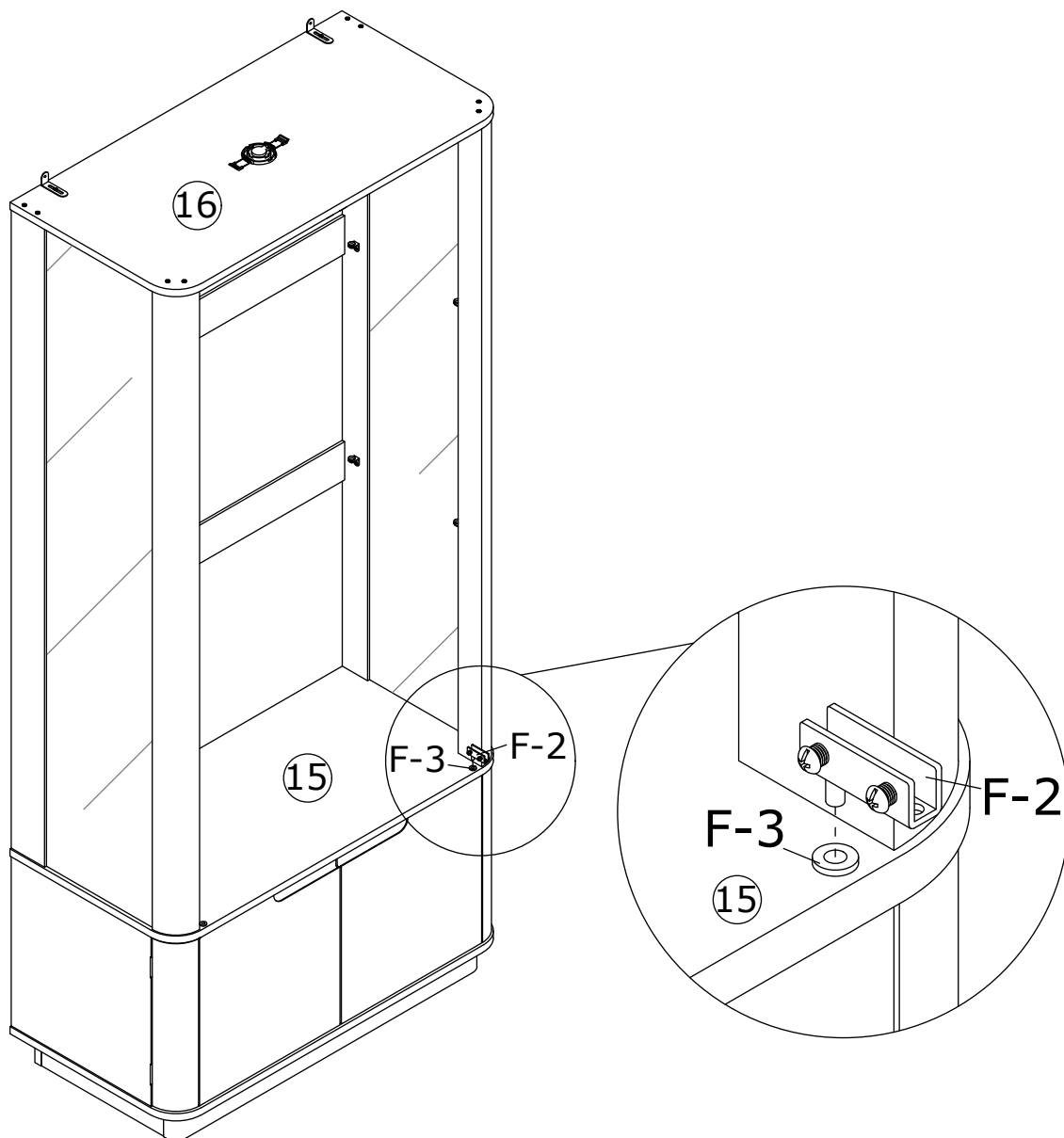
As shown in the figure, install Component F (F-1), Component F (F-2), Component F (F-4) and Component F (F-5) onto the glass (Q).



35

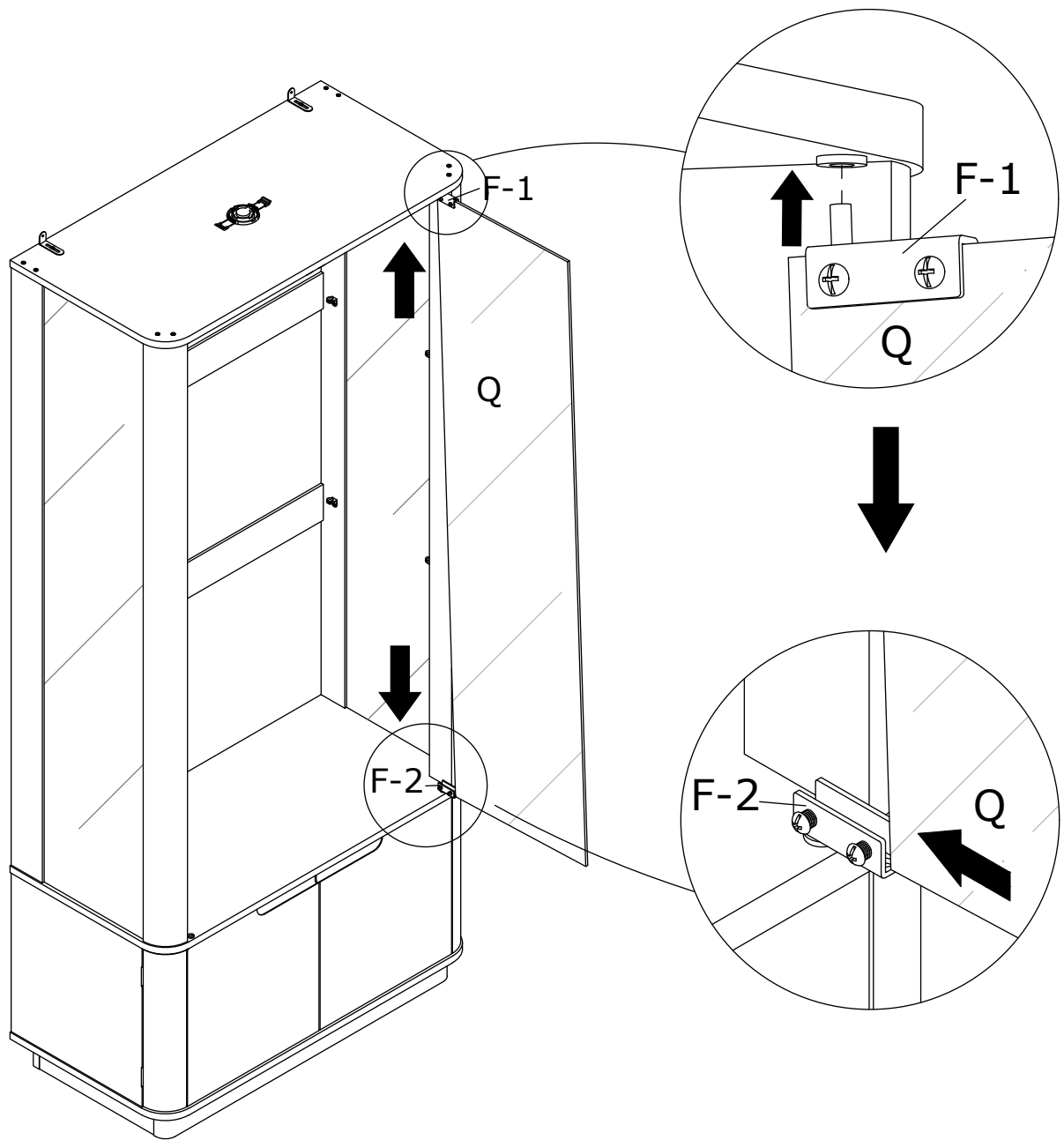


As shown in the figure, install Component F (F-2) onto Panel 15.

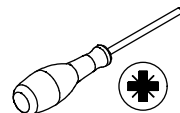
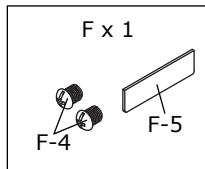


36

As shown in the figure,
First, install Component F (F-1) onto Panel 16.
Then, tilt the glass (Q) to an appropriate angle.
Finally, insert the glass (Q) into Component F (F-2).

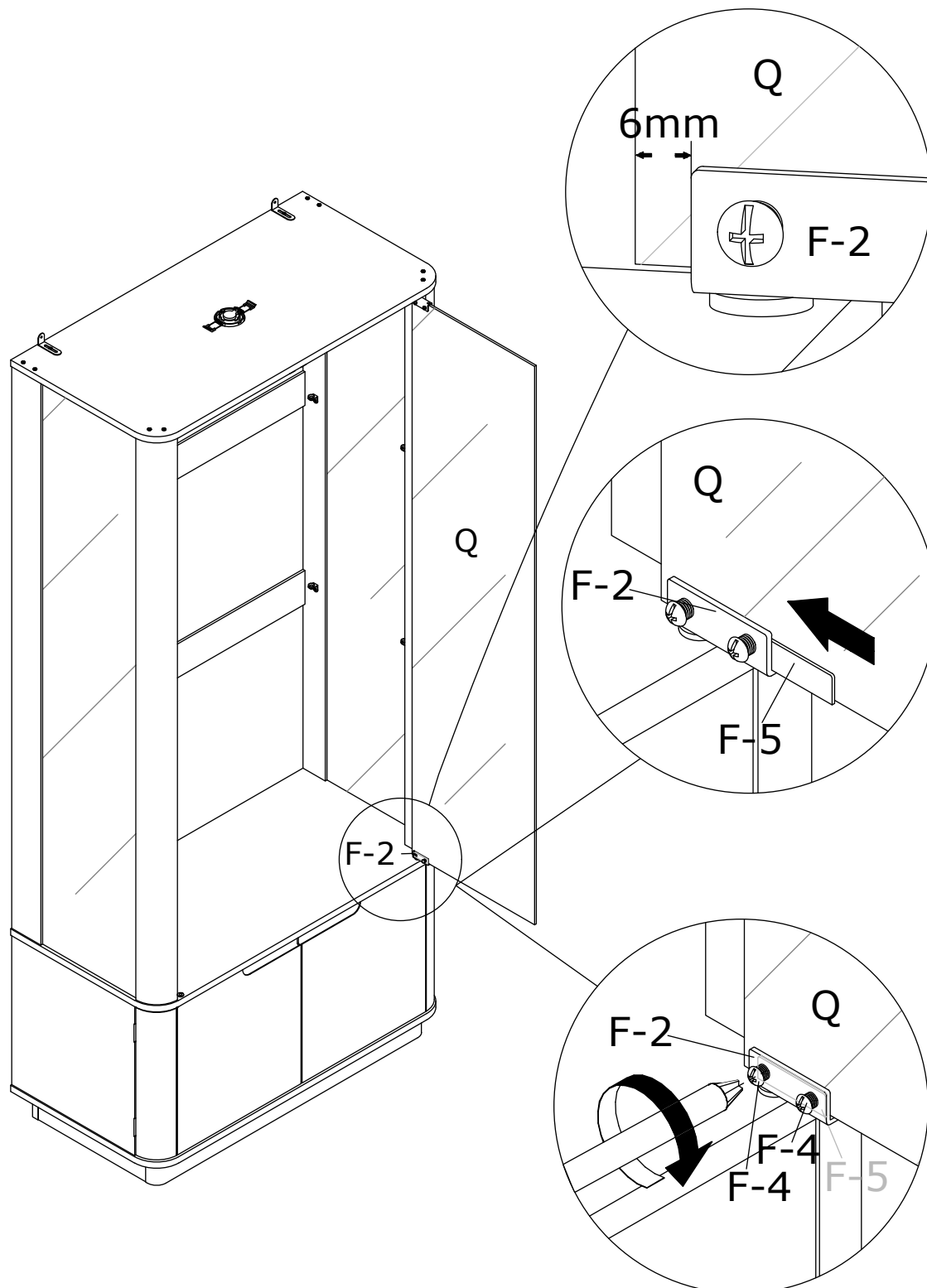


37



As shown in the figure,

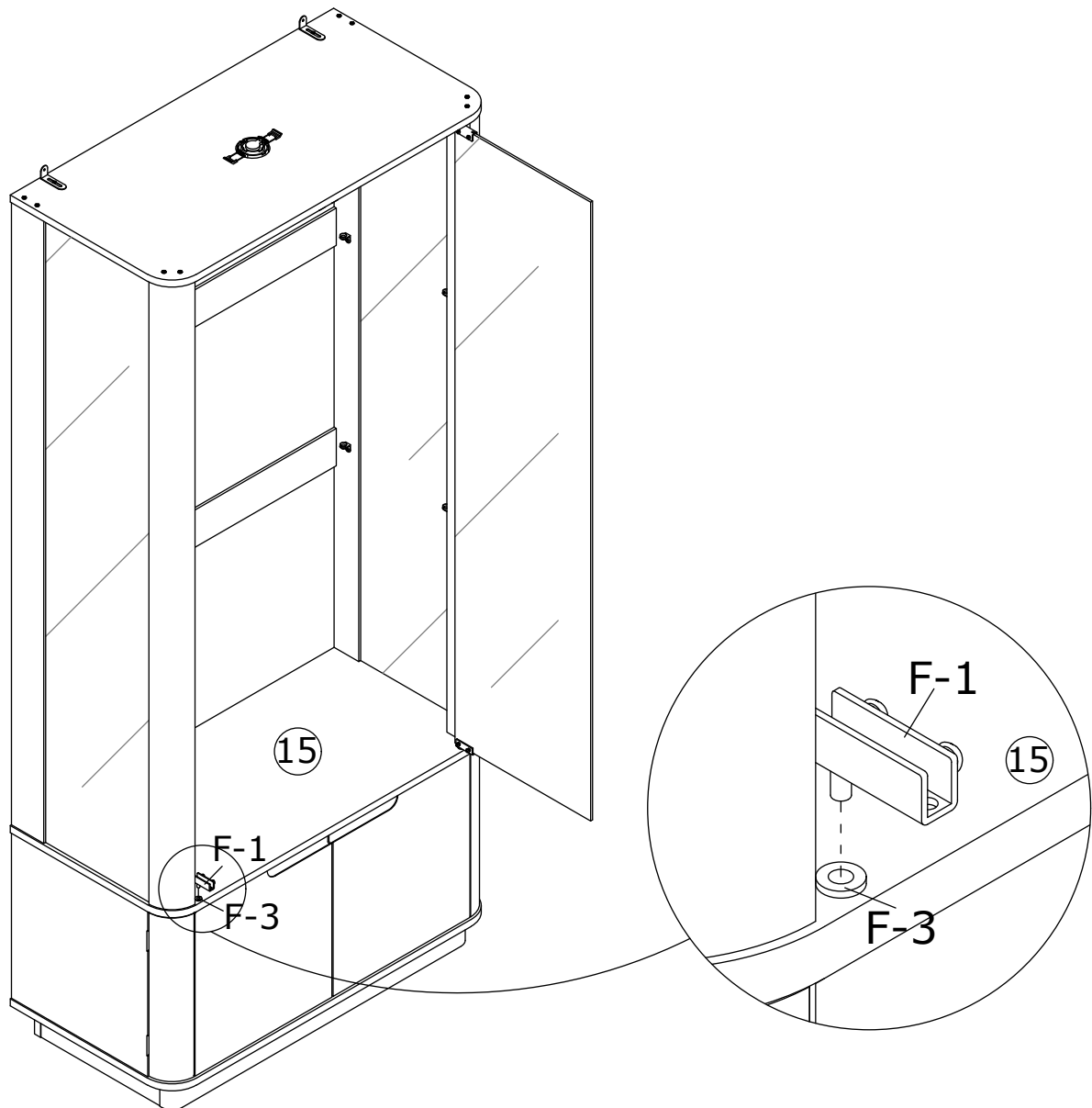
1. Ensure the distance between glass (Q) and Component F (F-2) is 6mm.
2. Insert Component F (F-5) into Component F (F-2).
3. Fix Component F (F-4) after the insertion.



38

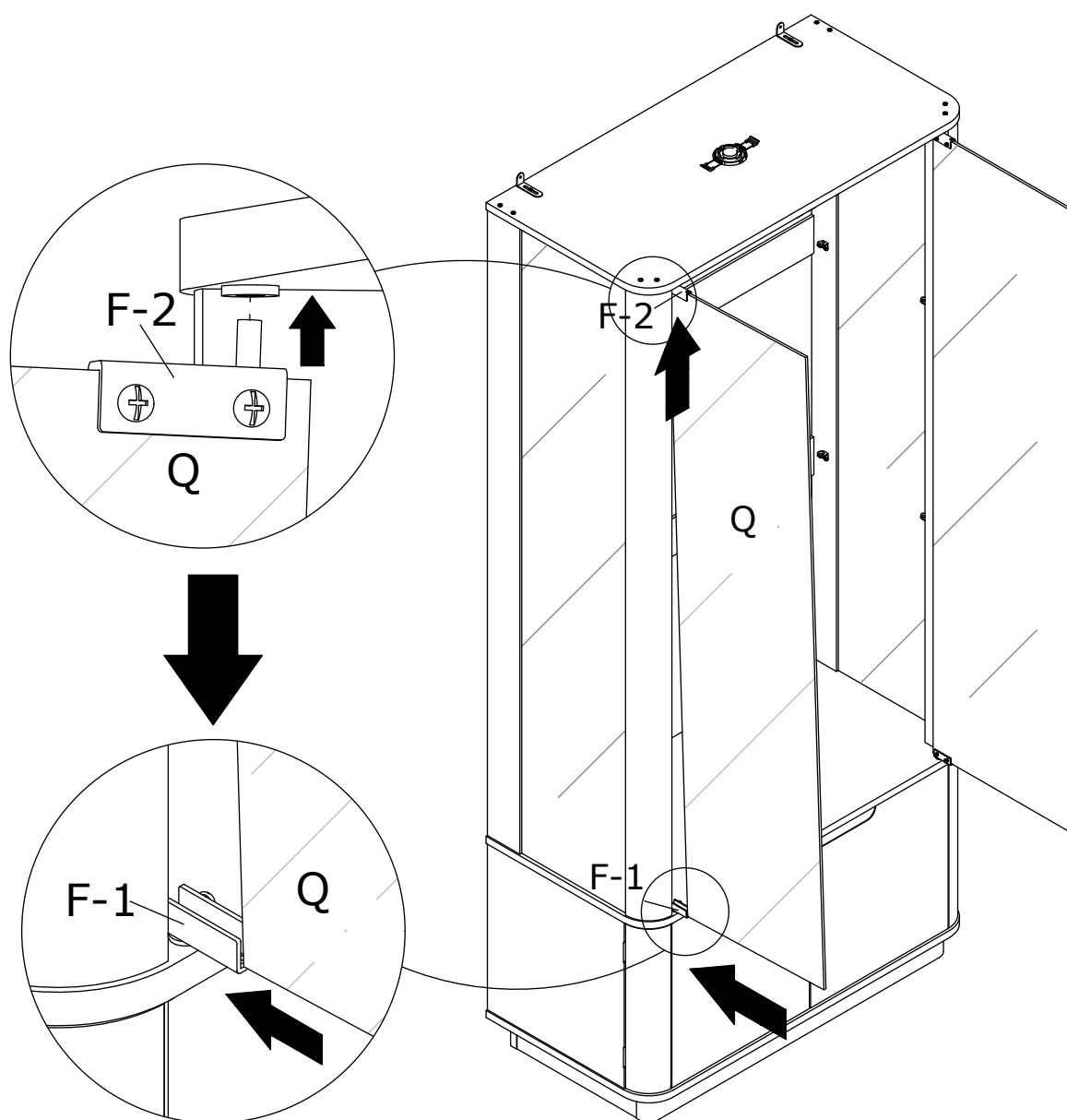
<p>F x 1</p>  <p>F-1</p>	
---	--

As shown in the figure, install Component F (F-1) onto Panel 15.

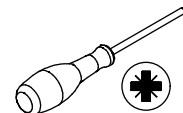
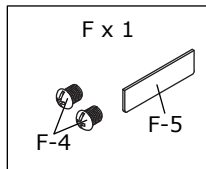


39

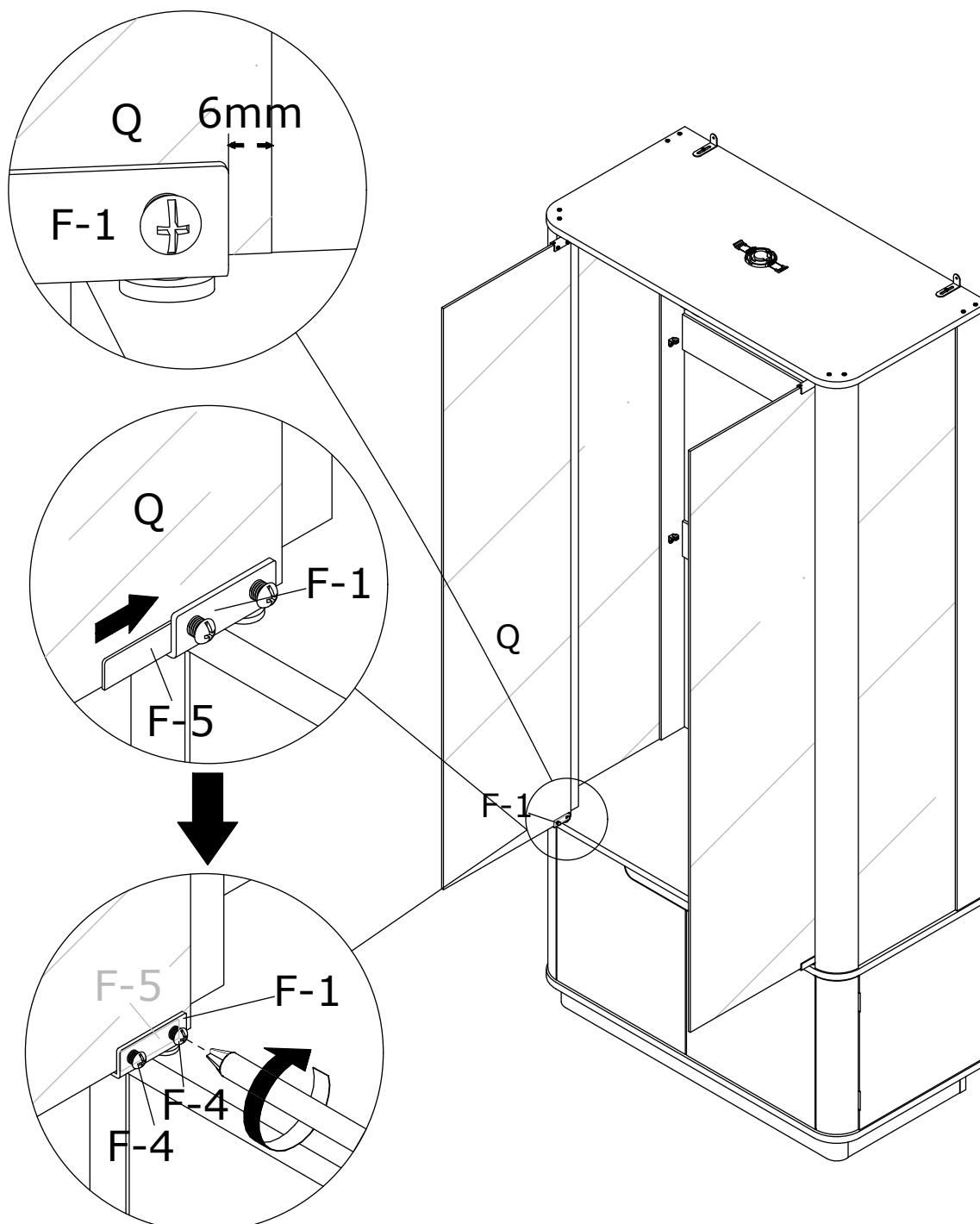
As shown in the figure,
First, install Component F (F-2) onto Panel 16.
Then, tilt the glass (Q) to an appropriate angle.
Finally, insert the glass (Q) into Component F (F-1).



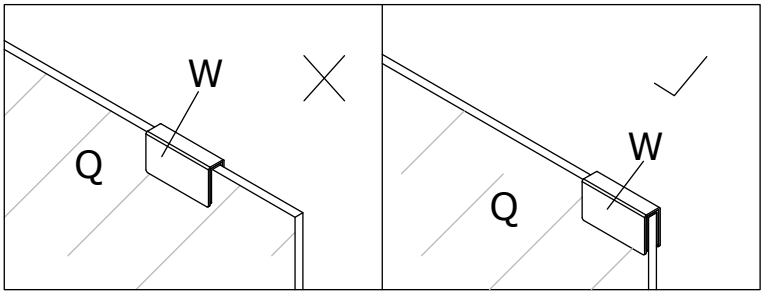
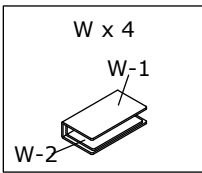
40



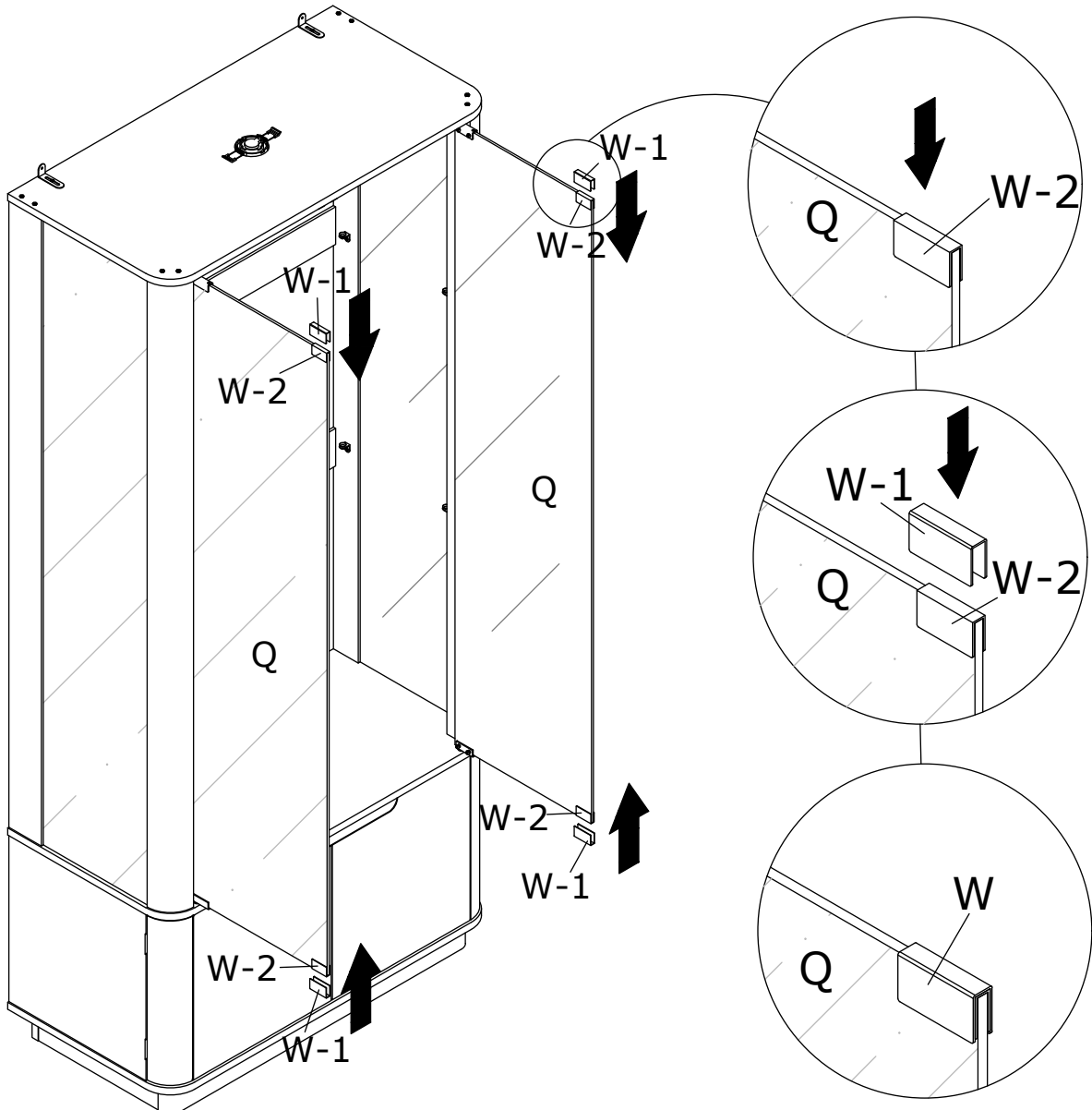
As shown in the figure,
Ensure the distance between glass (Q) and Component F (F-1) is 6mm.
Insert Component F (F-5) into Component F (F-1).
Fix Component F (F-4) after the insertion.



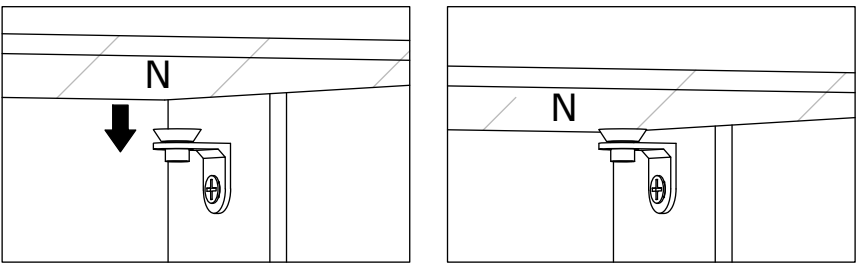
41



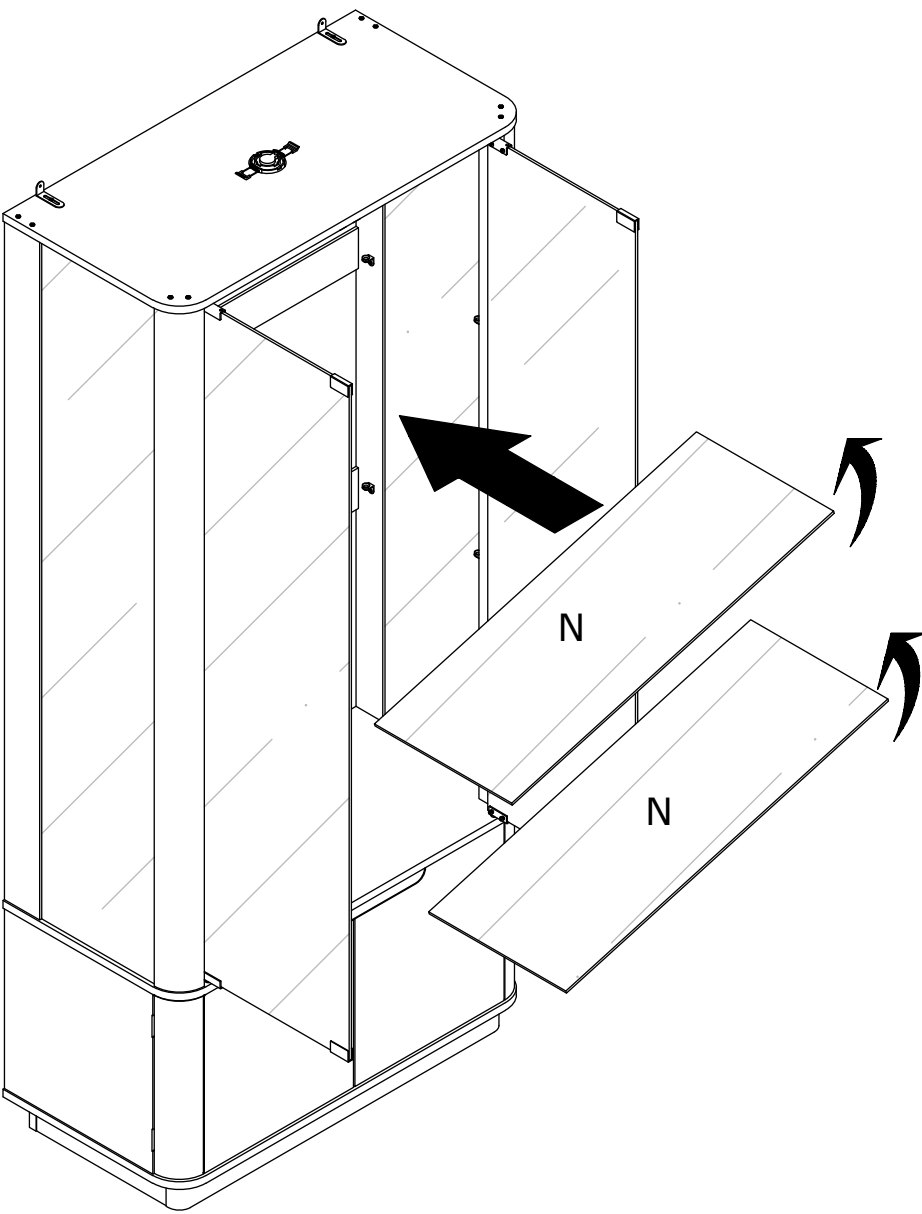
As shown in the figure,
First, install Component W (W-2) onto the glass (Q).
Then, install Component W (W-1) onto Component W (W-2).



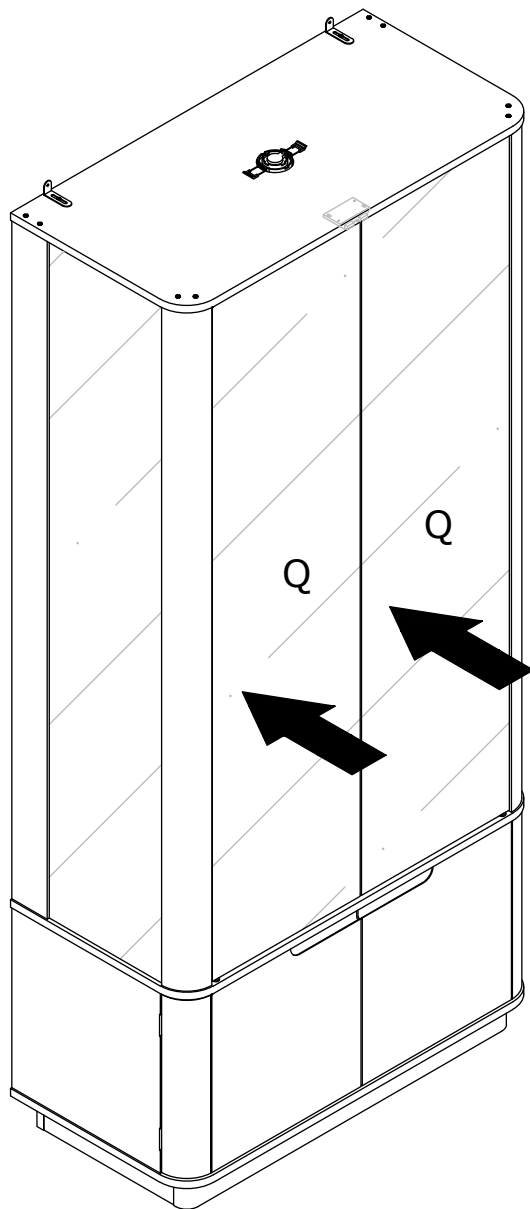
42



As shown in the figure, assemble the glass (N) into the main body part.

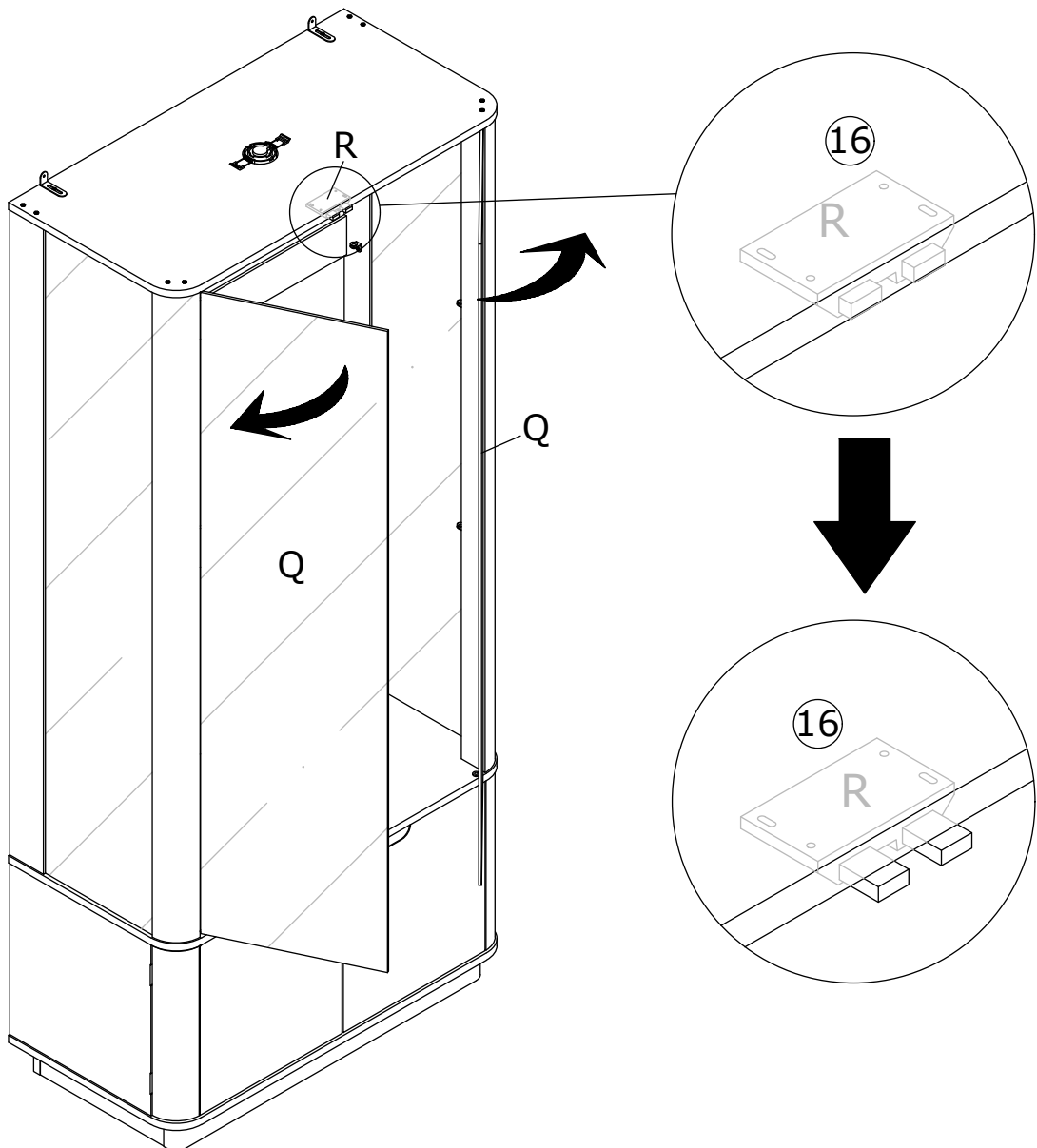


43

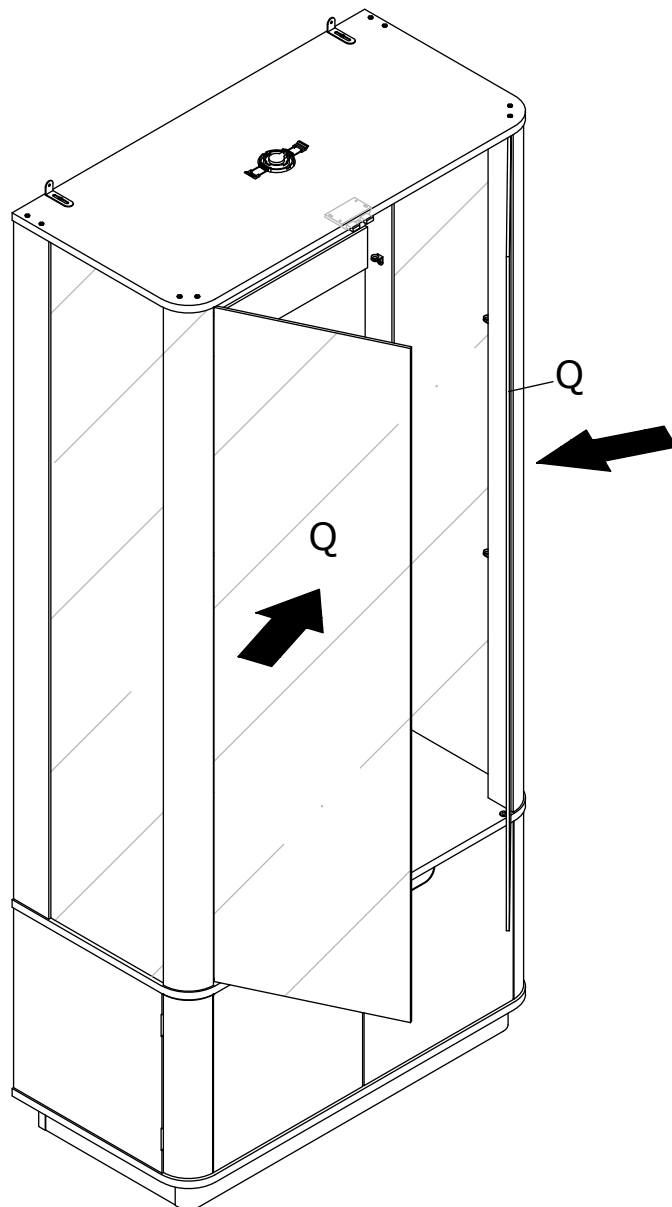


44

As shown in the figure, press the glass (Q) to open.

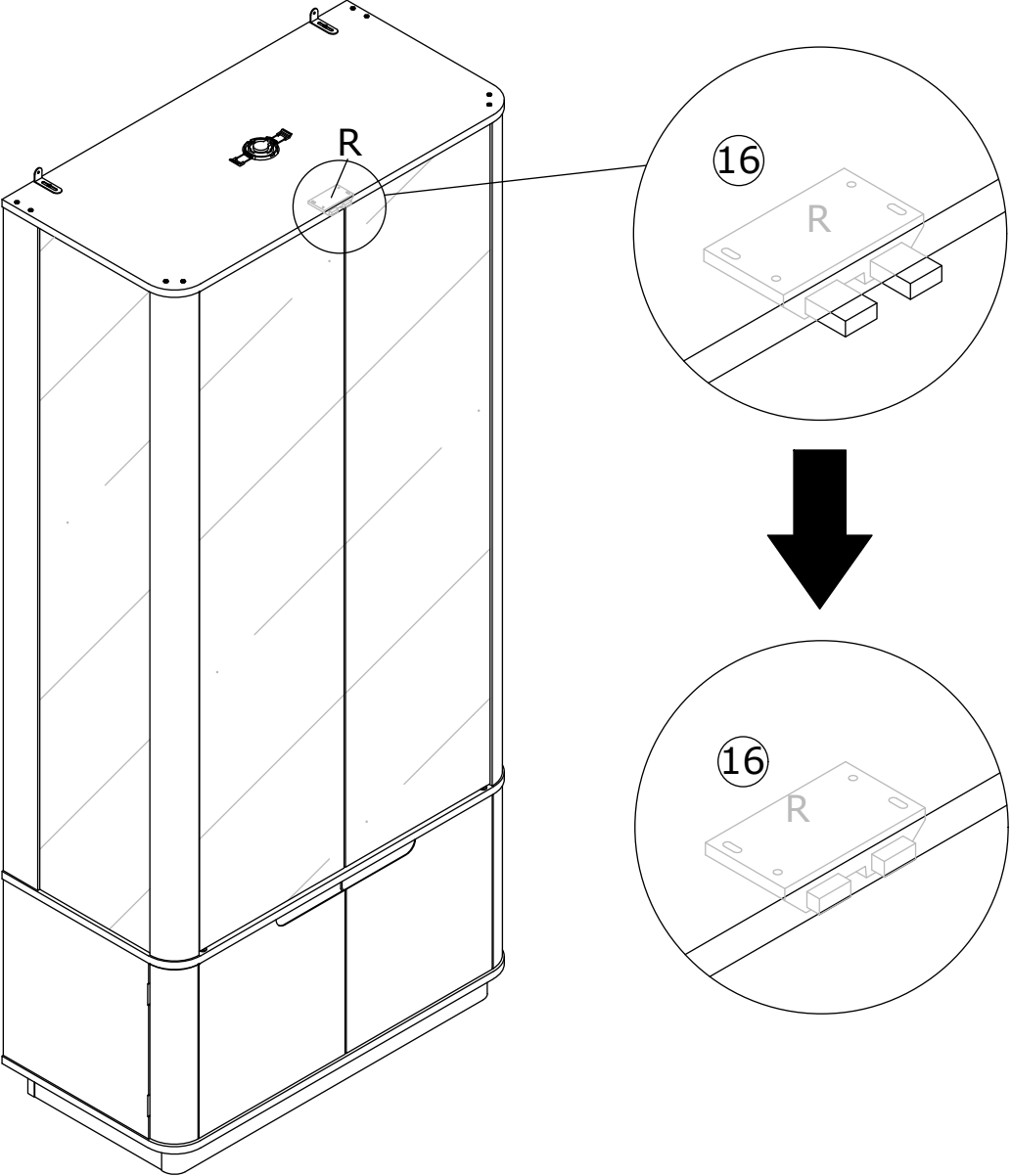


45



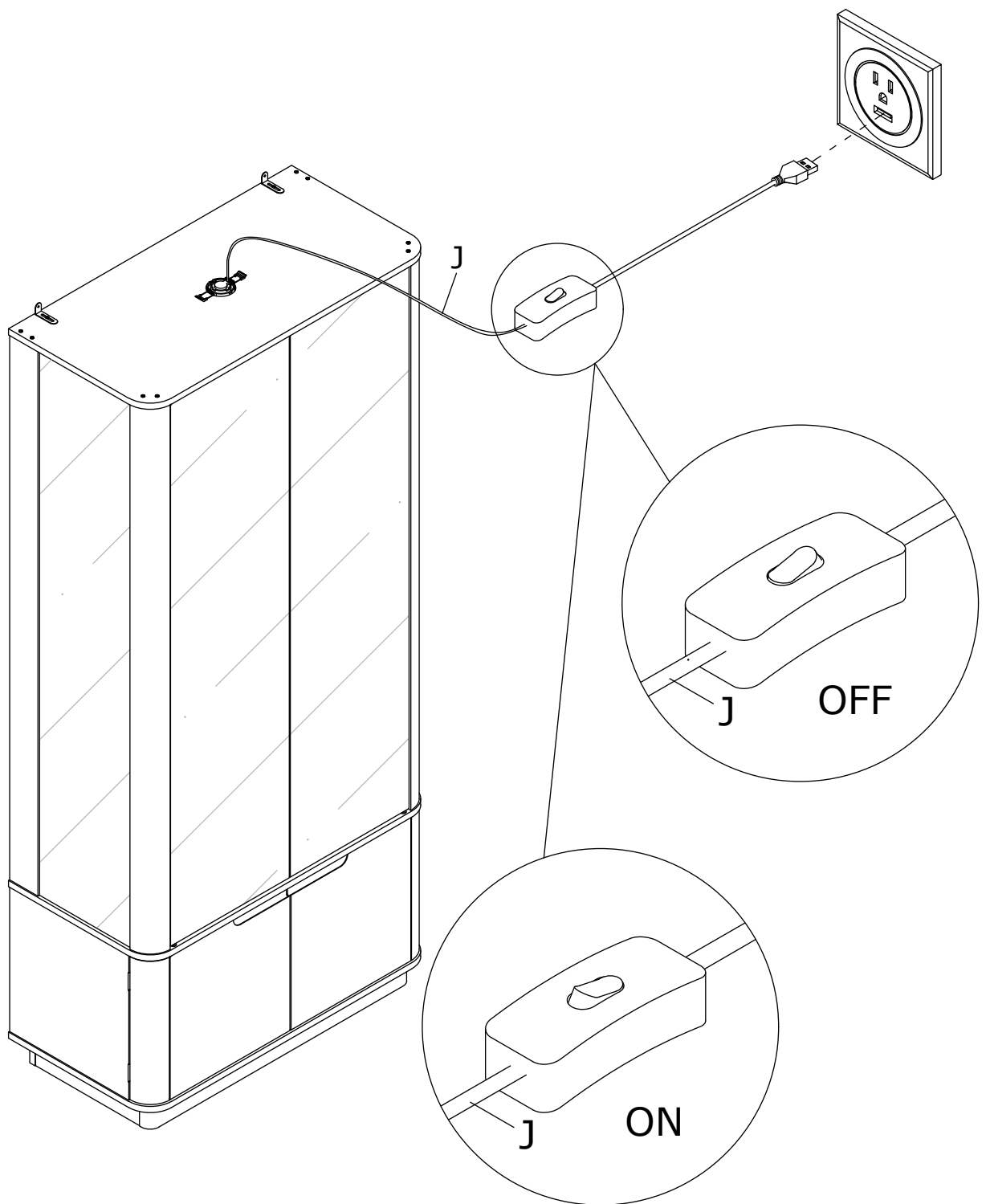
46

As shown in the figure, press the glass (Q) to close.



47

As shown in the figure, turn on the switch after connecting to the power supply.



WARRANTY

WARRANTY CLAIMS

- There is a 30-day warranty for broken furniture or any other problems that do not work properly. The warranty will start from the date of purchase which must be verified by proof of purchase.
- Before making a claim, we may be able to answer your query, simply call us. Please leave your purchase order number, along with some details of the problem, if you want a replacement part. We will arrange within 48 hours. If there is out of stock, we will reply with a shipping date.
- The product must be used in accordance with the instructions provided. For health reasons.
- For other reasons, if the furniture needs to be returned, it must be cleaned and dried and operated within 30 days of receipt.

Type of Warranty Claim

- Failure to follow the furniture instructions will invalidate the warranty. Attention please.
- Does not include damage during installation, but includes damage during transportation.

Scope of responsibility

- Shall not bear any responsibility for misuse or user damage and / or loss of parts during the installation of furniture.
- After using, the damage and scratches of the furniture are not covered by the warranty.

The Warranty Relates to All Bought in The Us and Covers The Following Areas

- Sheet parts: 1 month from the date of purchase.
- Electrical parts: 1 month from the date of purchase.

RETURNS

CHANGED YOUR MIND AND NEED TO RETURN YOU ITEM?

PLEASE FOLLOW THE BELOW INSTRUCTIONS:

- If you have purchased and have simply changed your mind, follow the retailer's instructions for returns.

DEFECTIVE ITEMS

- If your item is defective in any way, i.e. it doesn't work but you can't identify why, in the first instance, please call us.

DAMAGED ITEMS

- If you receive an order with obvious shipping damage from the retailer, then we suggest the delivery is refused. If the delivery has been accepted and then shipping damage is found, please follow the specific instructions advised by the retailer. In all circumstances please save all packaging material and paperwork for the order. Please be aware that if you dispose of packaging material or attempt to return the merchandise without contacting the fulfiller, you jeopardise your chances of making a claim, and you may not receive a credit for the return.

AFTER-SALES CONTACT



adelahu@fufugaga.com



208-820-0068