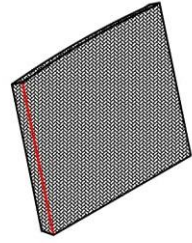
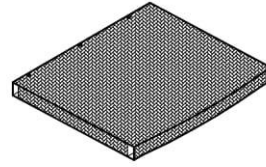


A*2PCS



B*1PC



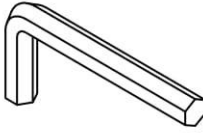
C*1PC



D:M6*20*8PCS

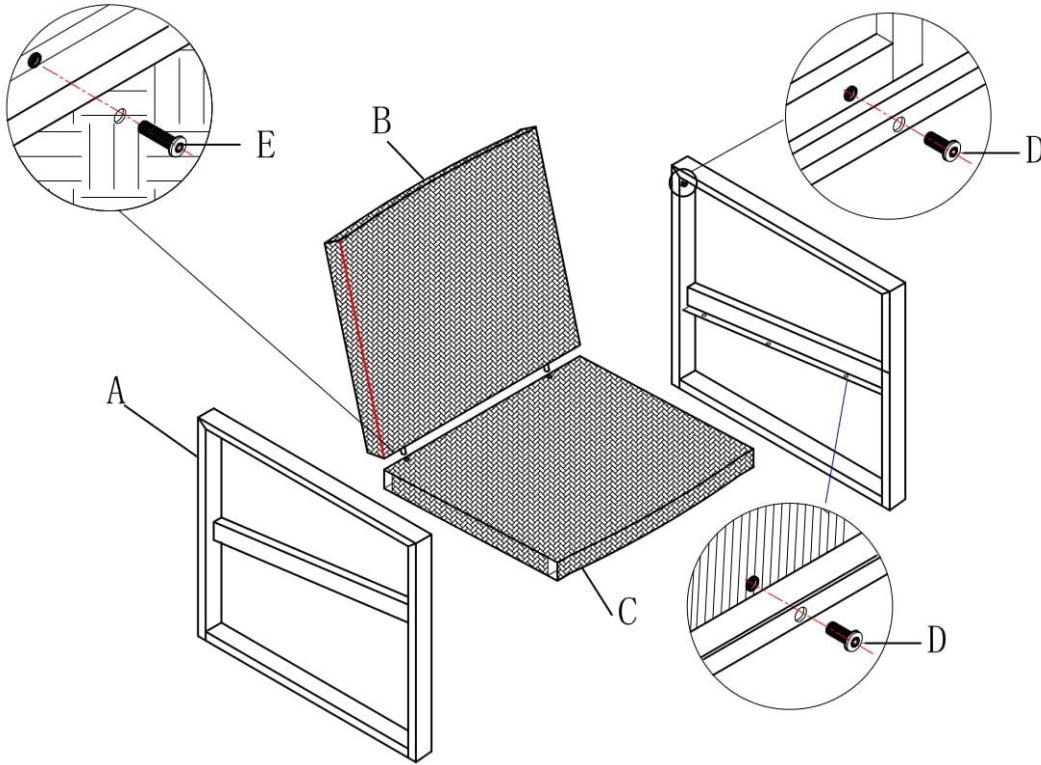


E:M6*60*2PCS

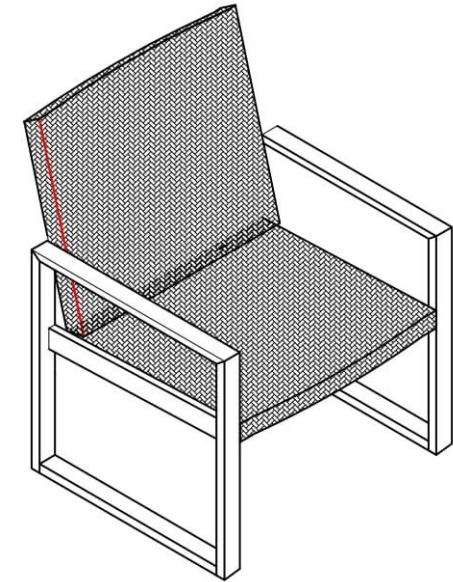


F:4MM*1PC

SINGLE SOFA



1



2