

Assembly Instructions

Caution : You must read this before you proceed

Care & Maintenance



- Not for commercial use. For residential use only.



- Furniture may scratch floors. We recommend using furniture pads to protect your floors.



- Do not put hot items directly on furniture surface.



- Do not clean furniture with harsh cleansers or polish.



- Do not place furniture under direct sunlight.



- Do not place furniture near heating or cooling vents.



- Do not write on furniture without a padded barrier to protect the surface.



- Do not place furniture outside . For indoor use only.



- Stains may be removed with mild soap solution and damp cloth.



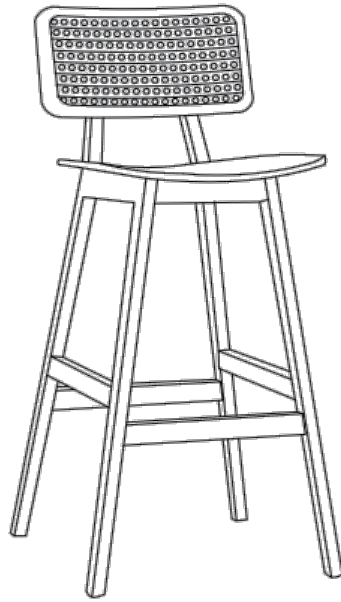
- Children should not climb or jump on the furniture.



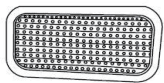

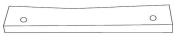

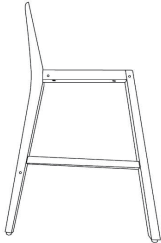

- Dust and pick-up spills using a clean, non-colored, lint-free cloth.

Please look in boxes for hardware packs and legs.
Sets often ship in multiple boxes and may arrive a day or two apart.

Barstool



Parts List

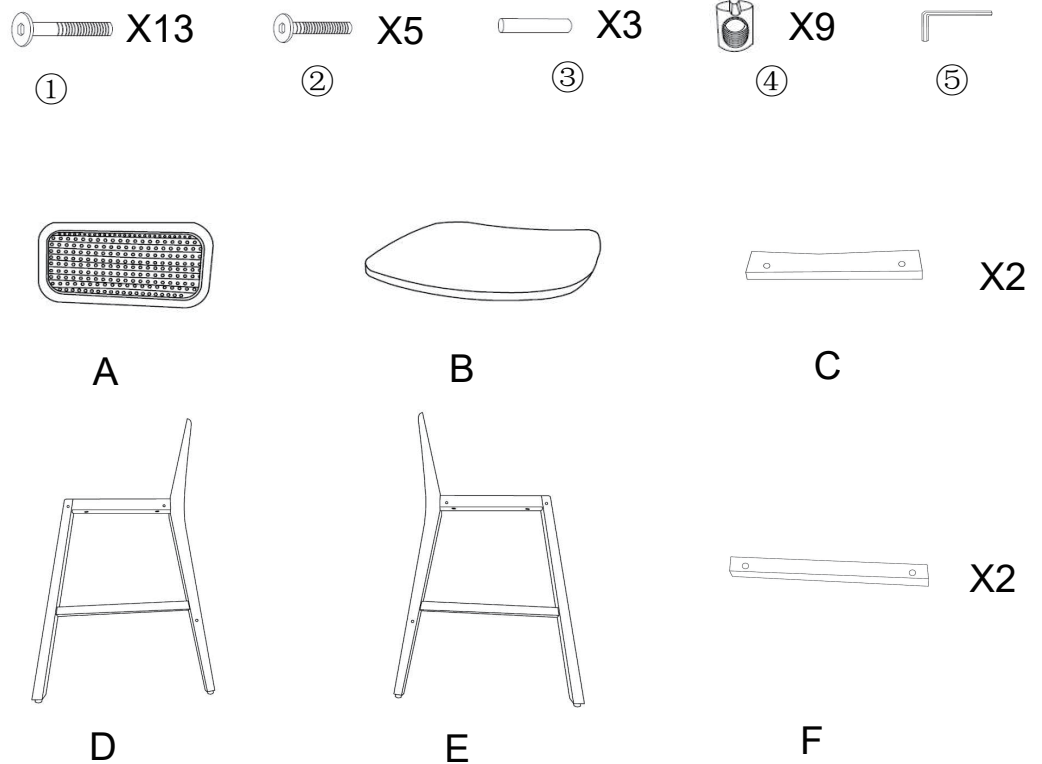
Label	Picture	Description	QTY
A		Backrest	1
B		Seat	1
C		Upper Connect Bar	2
D		Left Leg	1
E		Right Leg	1
F		Footrest	2

Hardware

Label	Picture	Description	QTY
①		Bolt (M6X50mm)	13
②		Bolt (M6X30mm)	5
③		Wooden Dowel	3
④		Cam Lock	9
⑤		Allen Wrench	1

Assembly Preparation

Before Beginning Assembly:



- Read instructions, cover to cover-



- Have 2 adults on hand for assembly-



- Do not assemble on flooring or carpet-



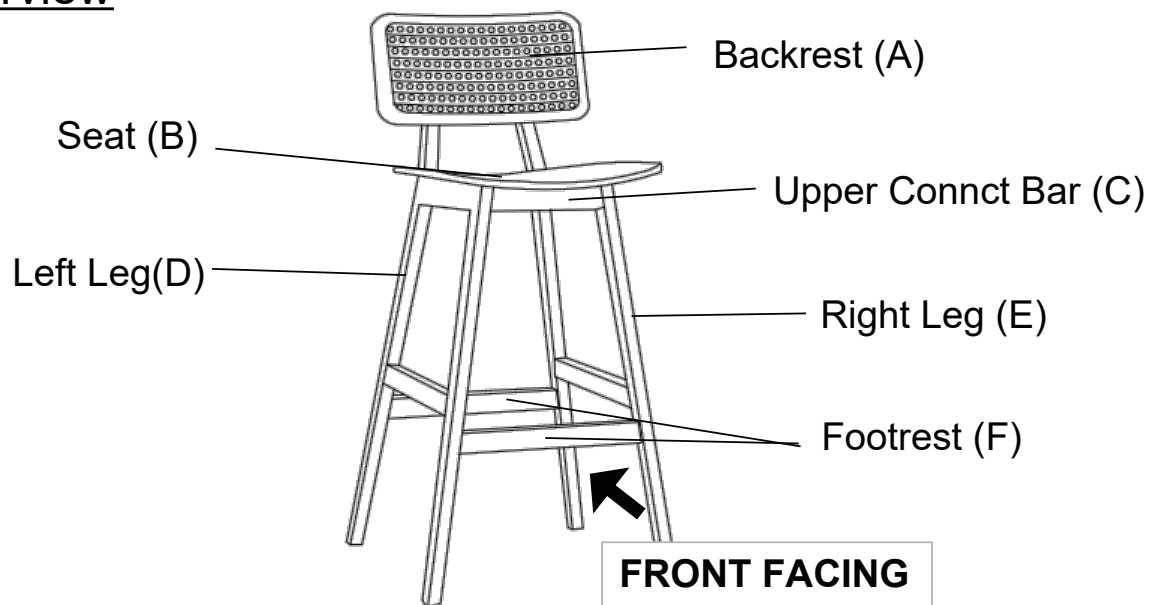
- Assemble on a clean non-marring surface (packing foam)-



- Save all packaging until finished-

Assembly Steps

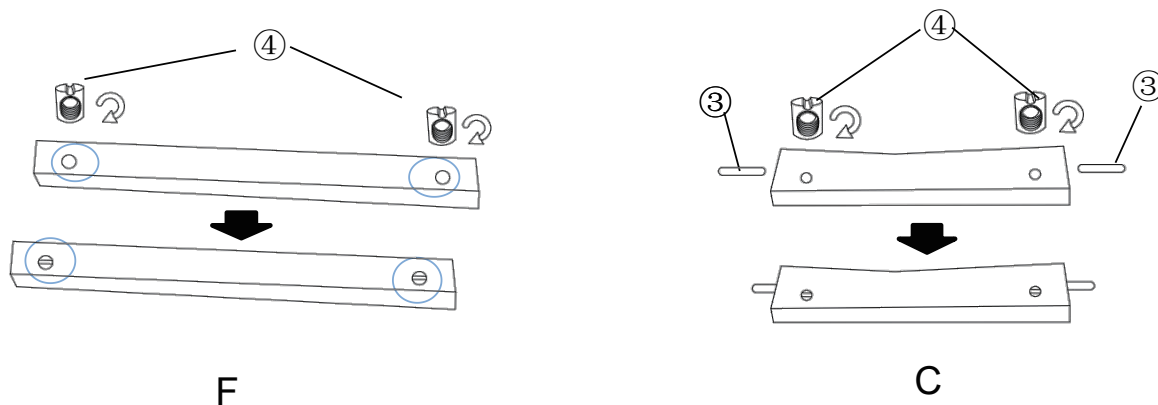
Overview



This Barstool has multiple parts and may require up to 30 minutes to assemble. To give you an overview of the Barstool parts, the above picture is provided to help you put the various parts into perspective. Please read through the instructions below to familiarise yourself with the parts and steps before assembly.

Friendly reminder: Tighten all the screws after all holes are installed.

Step 1



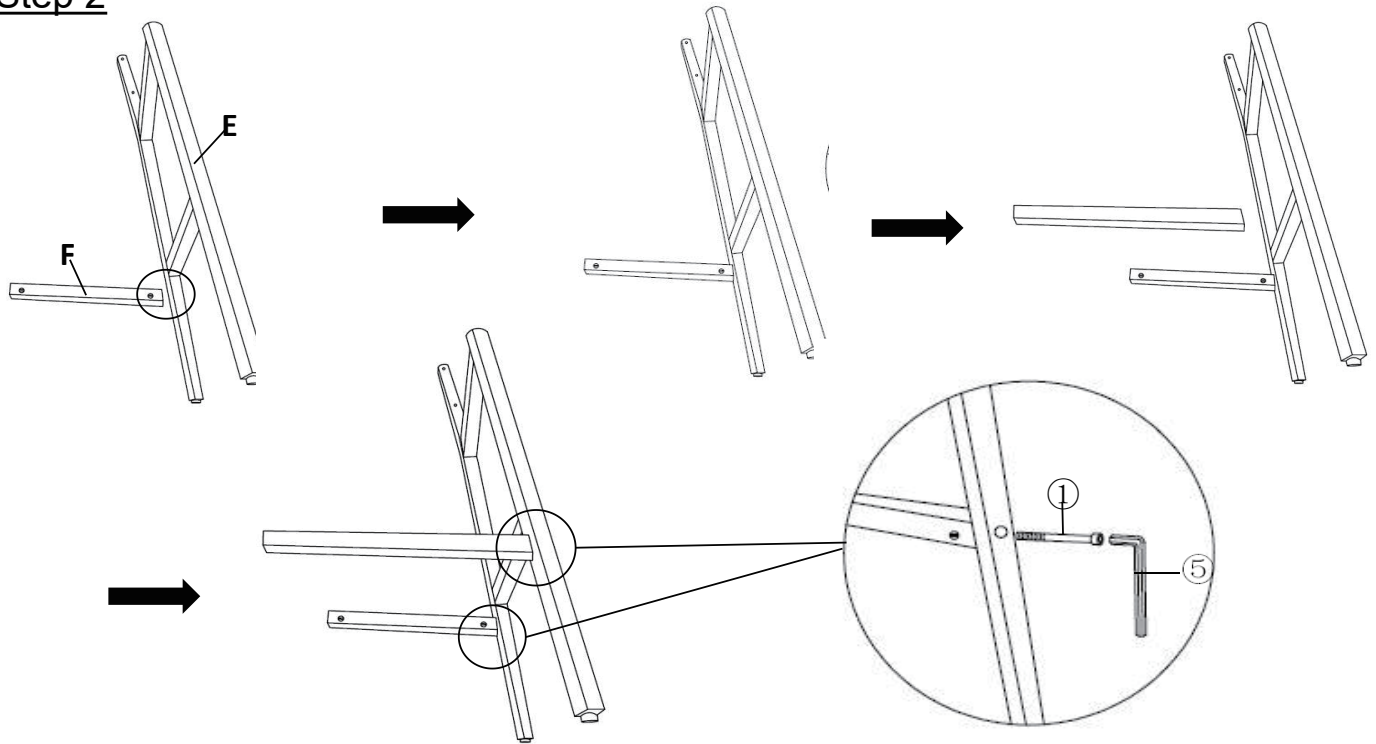
Open the carton, and place all parts on a clean, non-marring surface.

Take out the Upper Connect Bar (C) and the Footrest (F).

Insert the Cam Lock (④) into the hole on the both sides of the Footrest (F). Make sure the exposed indentation of the Cam Lock is parallel to the wooden block as shown above.

Insert the Wooden Dowel (③) into both sides of the Upper Connect Bar (C) as shown above.

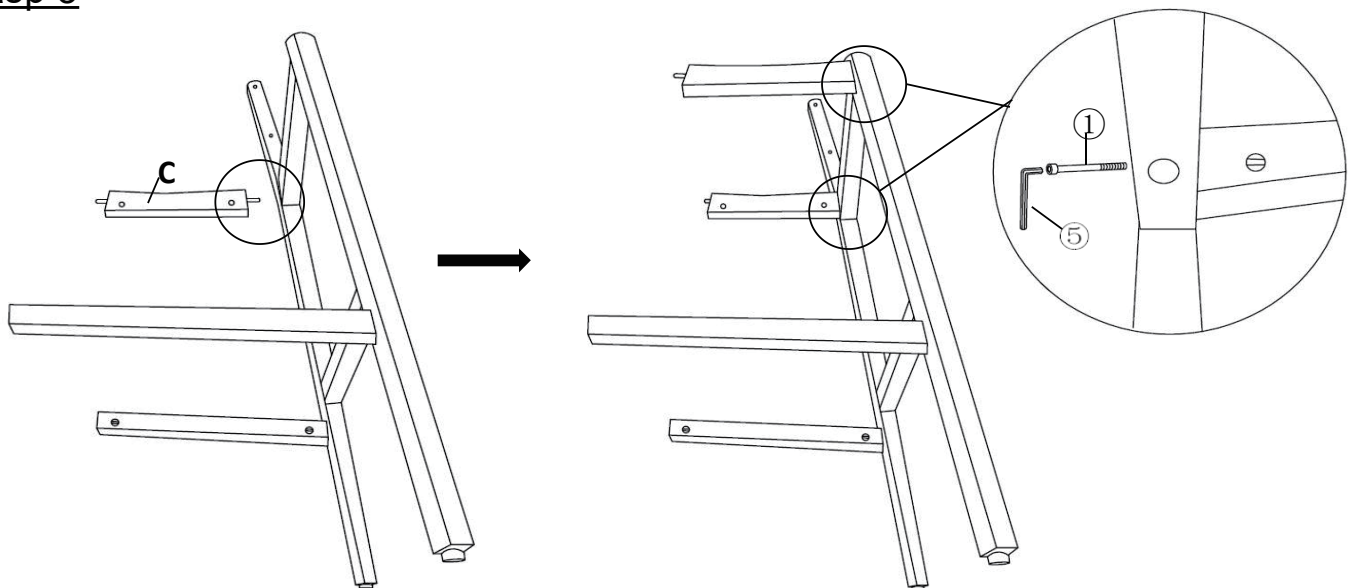
Step 2



Attach the Footrest (F) to the inner side of the Right Leg (E) with the bolt mounting position aligned, using Bolt (①) with Allen Wrench (⑤).

Do not Fully Tighten all Bolts.

Step 3

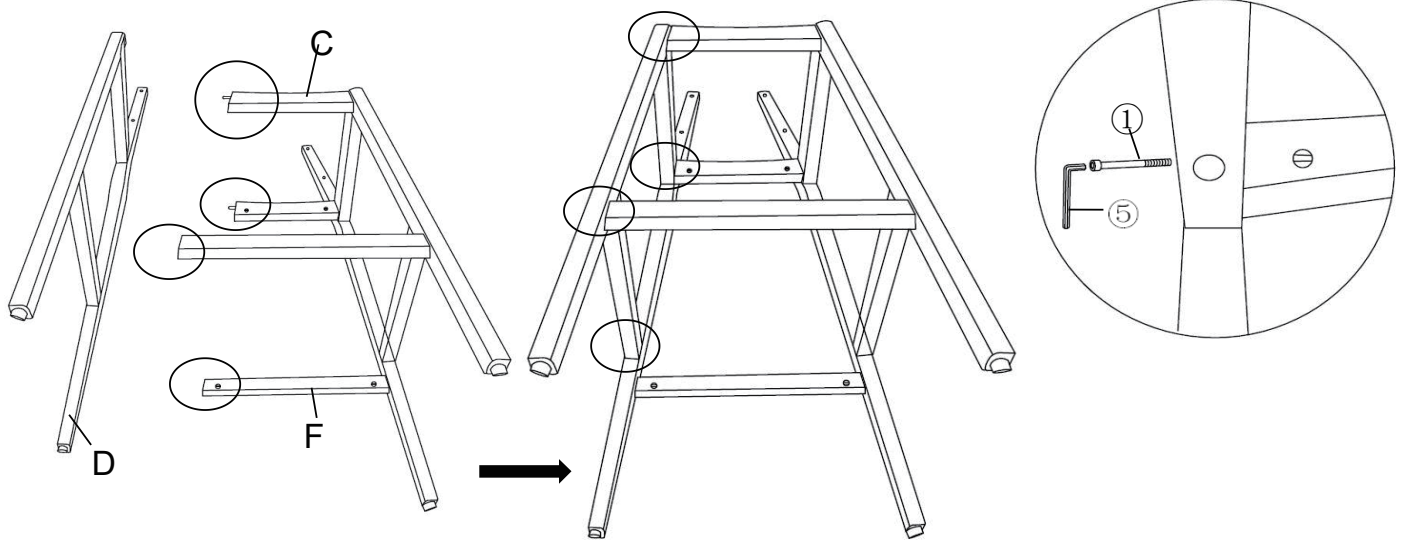


Take out the Upper Connect Bar (C), and insert the exposed dowel into the Right Leg (E) as shown above.

Attach the Right Leg (E) to the Upper Connect Bar (C) using Bolt (①) with the Allen Wrench (⑤).

Do not Fully Tighten all the Bolts.

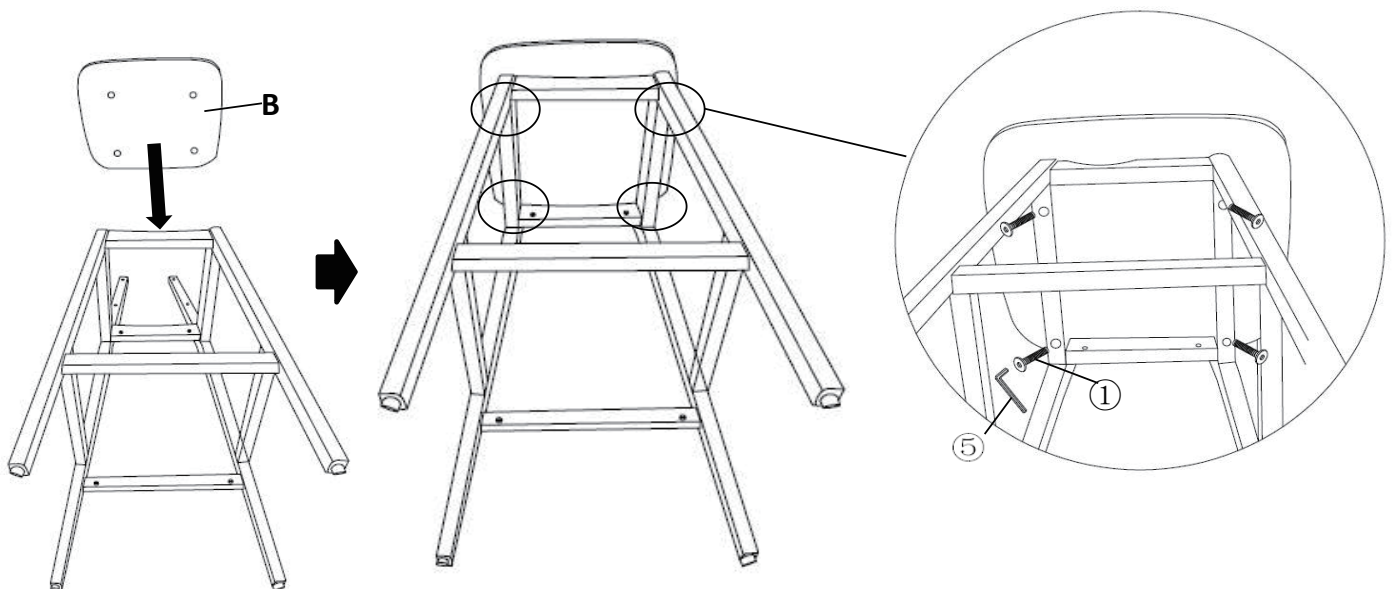
Step 4



Repeat the Step 2 and Step 3, attach the Left Leg (D) to the Upper Connect Bar(C) and Footrest(F) as shown above.

Do Not Fully Tighten the Bolts.

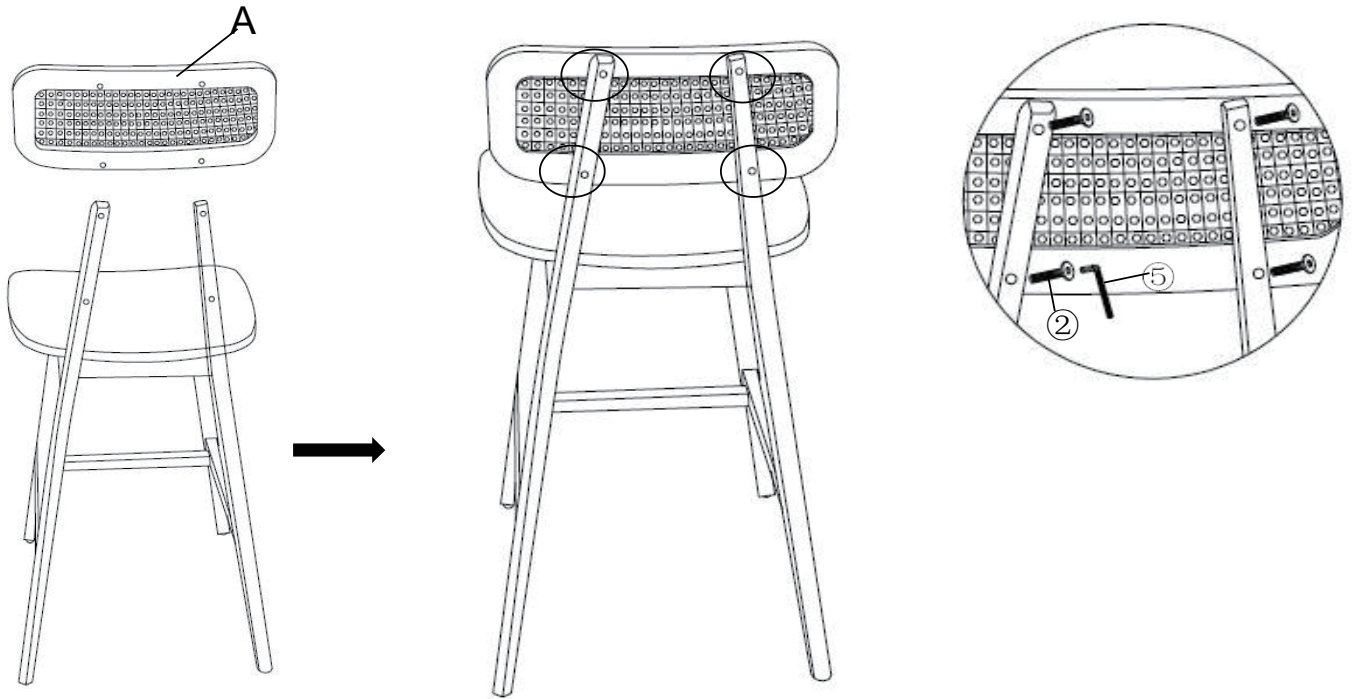
Step 5



Attach the Seat (B) to the Frame from step 4 using Bolt (①) with Allen Wrench (⑤).

Do not Fully Tighten the bolts.

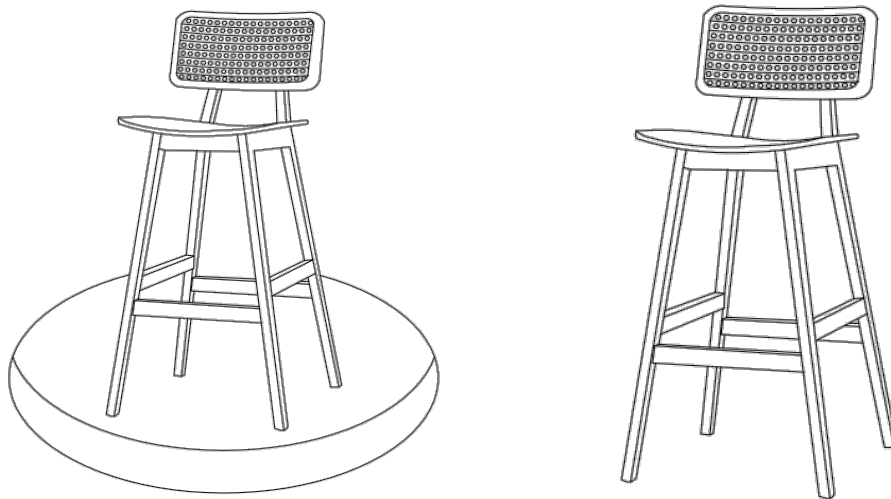
Step 6



Attach the Backrest (A) to the Frame from step 5, using Bolt (②) with Allen Wrench(⑤).

Do Not Fully Tighten the Bolts.

Step 7



Place the Barstool on a **LEVEL SURFACE**.

Inspect it and make sure all parts are adequately connected.

Gently and carefully tap the seat and check for wobbleness, then tighten all bolts in a sequential manner.

If there is still wobbling, loosen the bolts and repeat the same process.

Your Chair is ready for use.

This CHAIR can only be used on a flat, level surface.

Questions & Answers about Proposition 65

- What is Proposition 65?

Proposition 65 requires businesses to provide warnings to Californians about significant exposures to chemicals that cause cancer, birth defects or other reproductive harm. These chemicals can be in the products that Californians purchase, in their homes or workplaces, or that are released into the environment. By requiring that this information be provided, Proposition 65 enables Californians to make informed decisions about their exposures to these chemicals.

Proposition 65 also prohibits California businesses from knowingly discharging significant amounts of listed chemicals into sources of drinking water.

Proposition 65 requires California to publish a list of chemicals known to cause cancer, birth defects or other reproductive harm. This list, which must be updated at least once a year, has grown to include approximately 900 chemicals since it was first published in 1987.

- What types of chemicals are on the Proposition 65 list?

The list contains a wide range of naturally occurring and synthetic chemicals that include additives or ingredients in pesticides, common household products, food, drugs, dyes, or solvents. Listed chemicals may also be used in manufacturing and construction, or they may be byproducts of chemical processes, such as motor vehicle exhaust.

- What does a warning mean?

If a warning is placed on a product label or posted or distributed at a workplace, a business, or in rental housing, the business issuing the warning is aware or believes that it is exposing individuals to one or more listed chemicals.

By law, a warning must be given for listed chemicals unless the exposure is low enough to pose no significant risk of cancer or is significantly below levels observed to cause birth defects or other reproductive harm.

- Where can I get more information on Proposition 65?

If you have specific questions on the administration or implementation of Proposition 65, you can contact OEHHA's Proposition 65 program at P65.Questions@oehha.ca.gov, or by phone at (916) 445-6900.