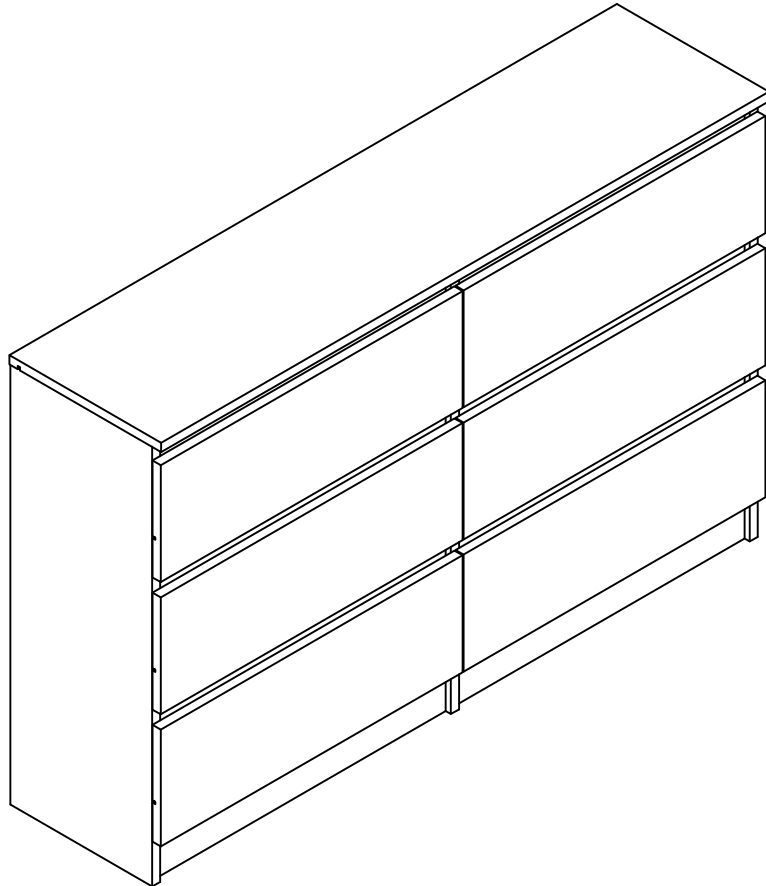
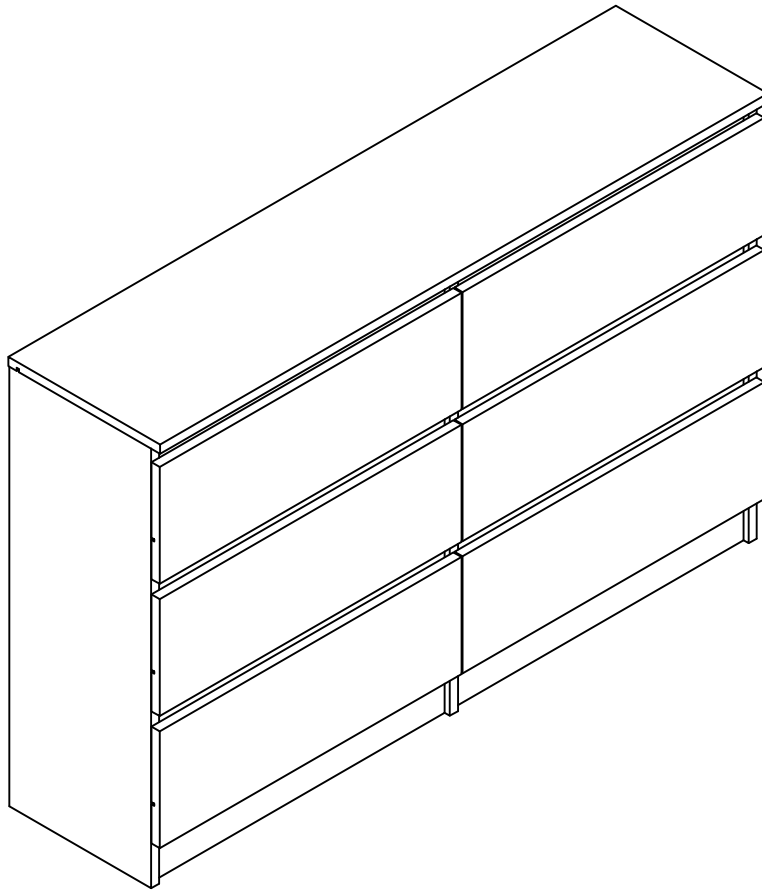
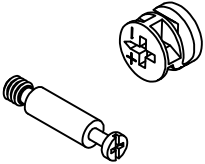

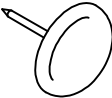







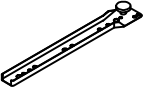
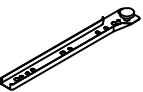
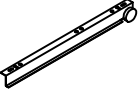
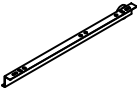


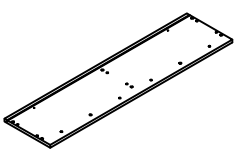
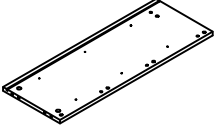
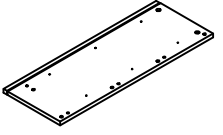
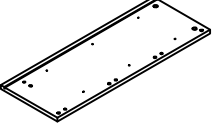
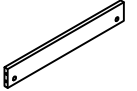
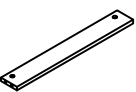

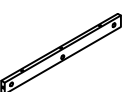
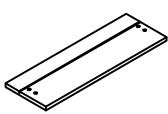
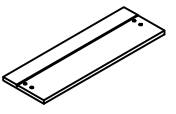

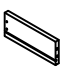
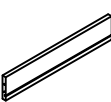
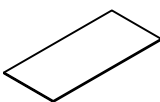
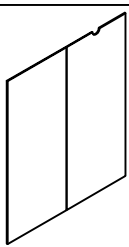
INSTALLATION GUIDE

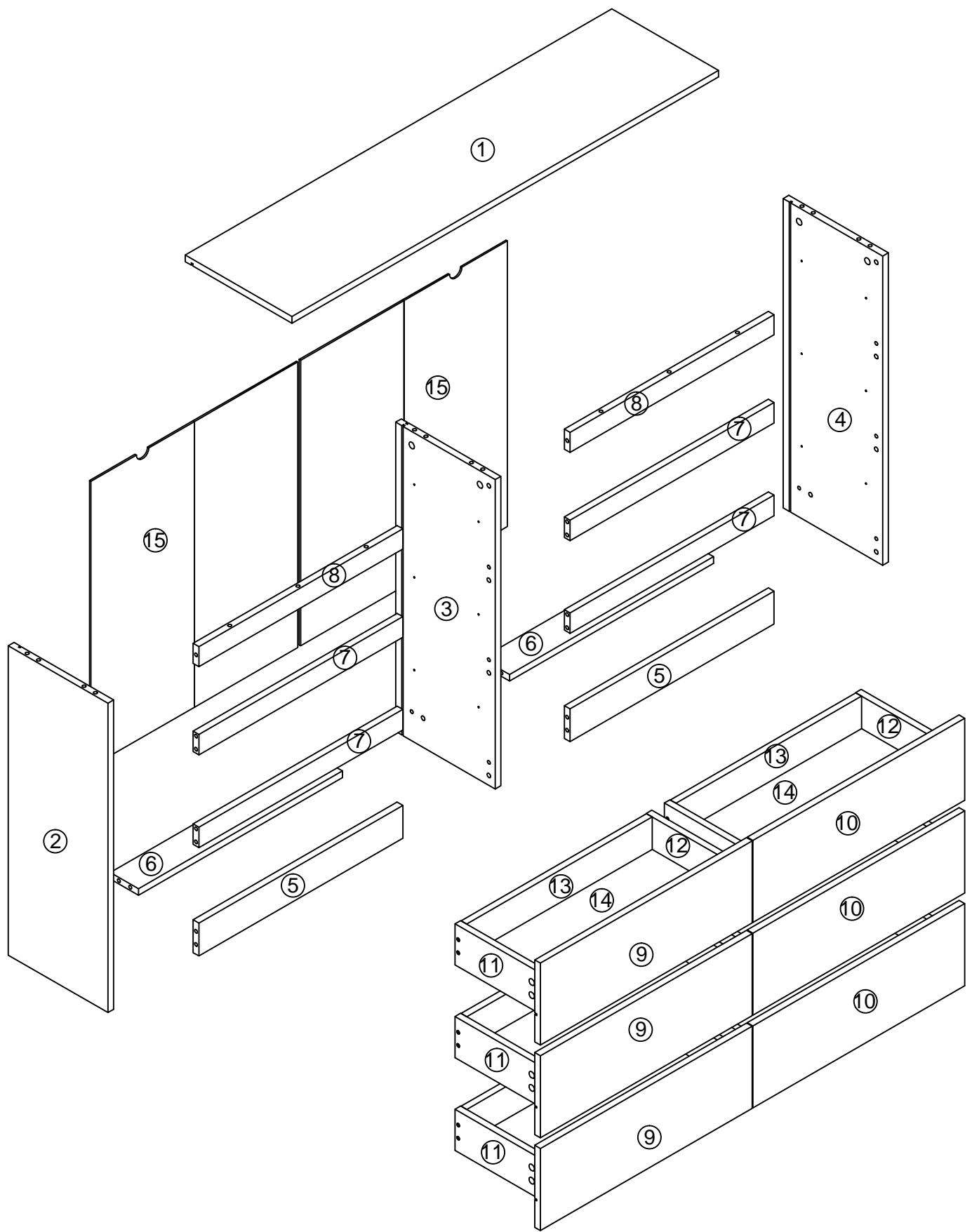
Please keep these instructions for future reference



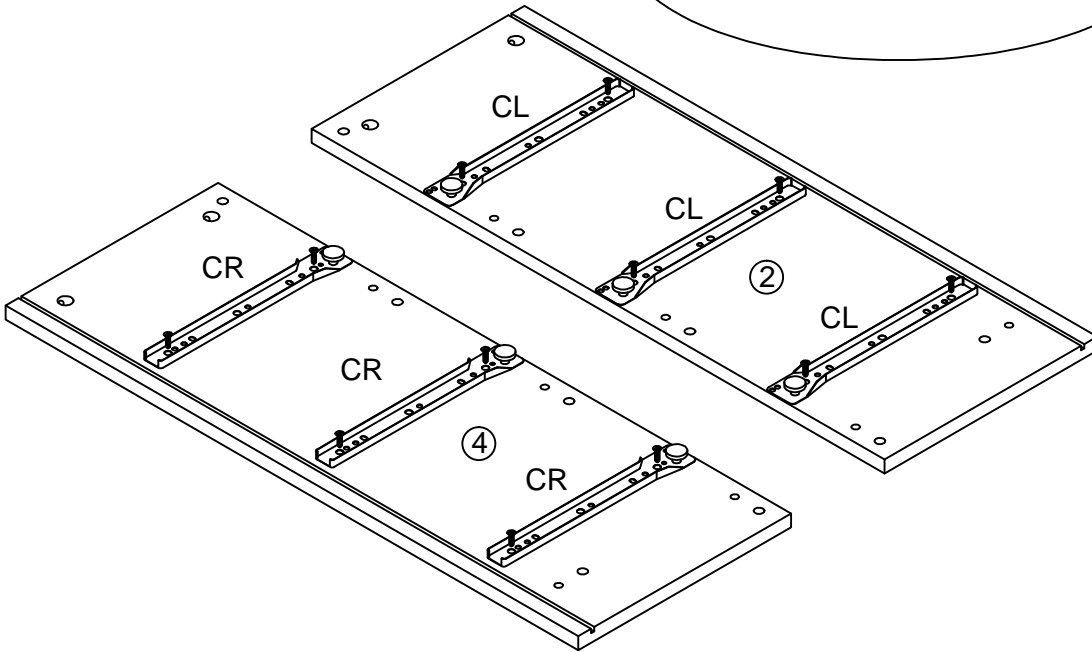
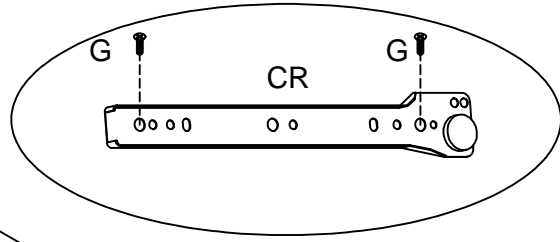


	 Ø8*40		 Ø20	
A*52	B*26	C*8	D*24	E*12
	 Ø3.5*14	 Ø4*35		
F*10	G*62	H*26	I*2	J*2
				
CL*6	CR*6	DL*6	DR*6	

① 	② 	③ 	④ 	⑤ 
1pc	1pc	1pc	1pc	2pc
⑥ 	⑦ 	⑧ 	⑨ 	⑩ 
2pc	4pc	2pc	3pc	3pc
⑪ 	⑫ 	⑬ 	⑭ 	⑮ 
6pc	6pc	6pc	6pc	2pc

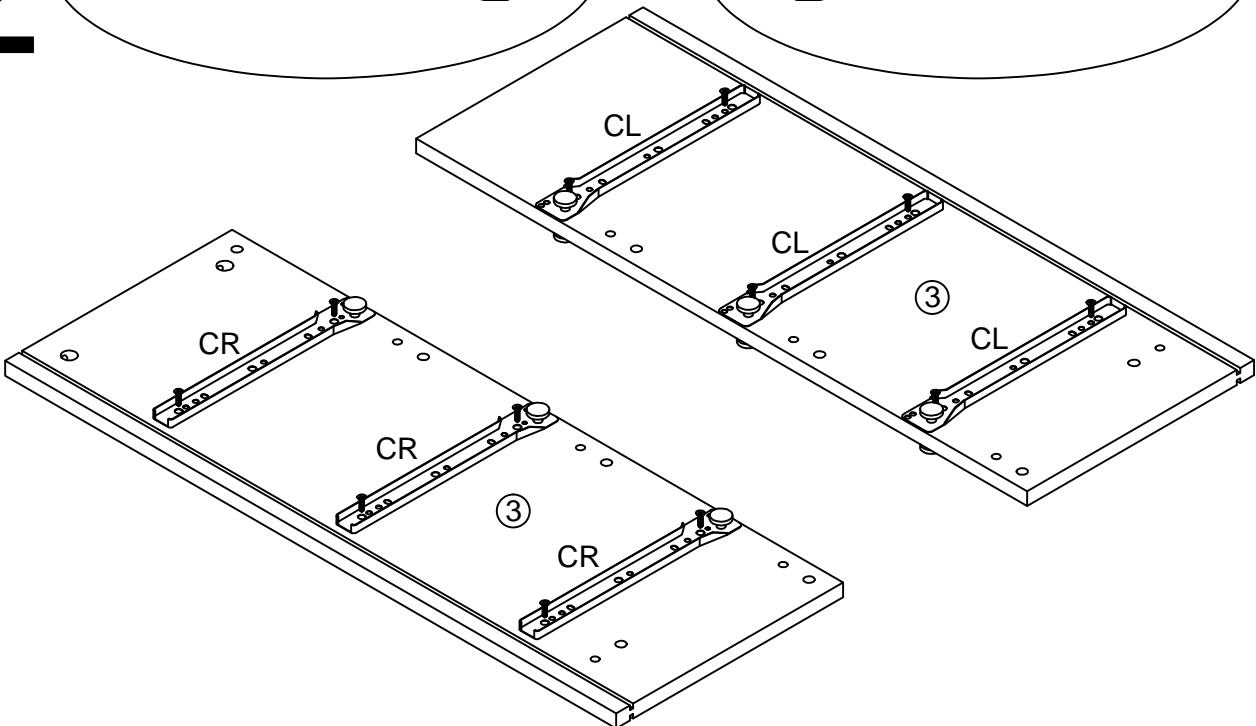
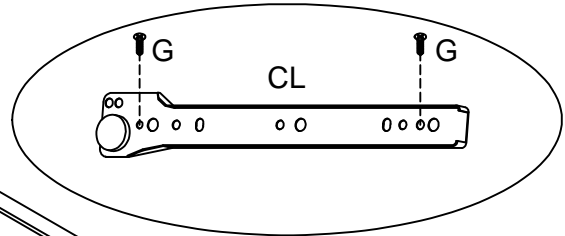
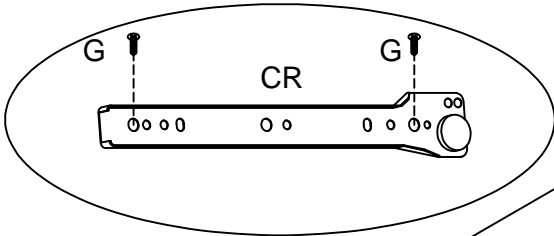


1



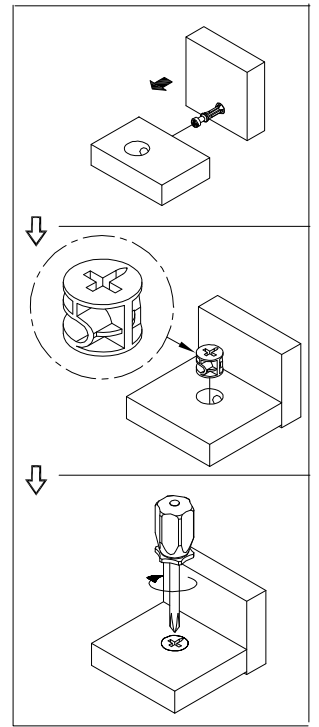
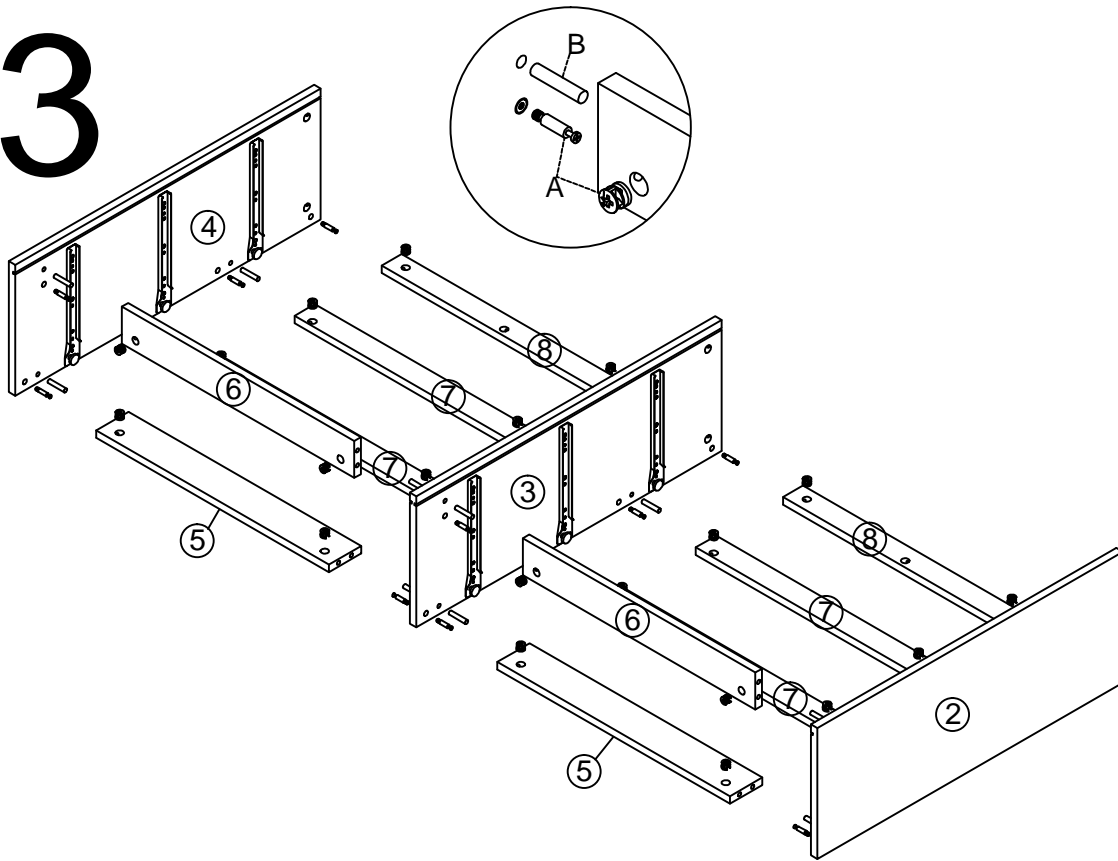
$G*12+CL*3+CR*3$

2



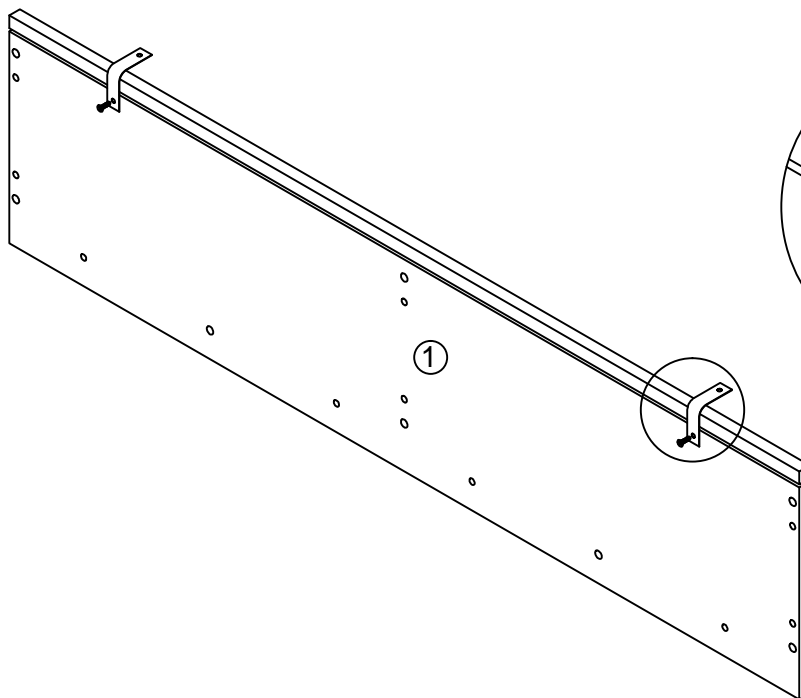
$G*12+CL*3+CR*3$

3



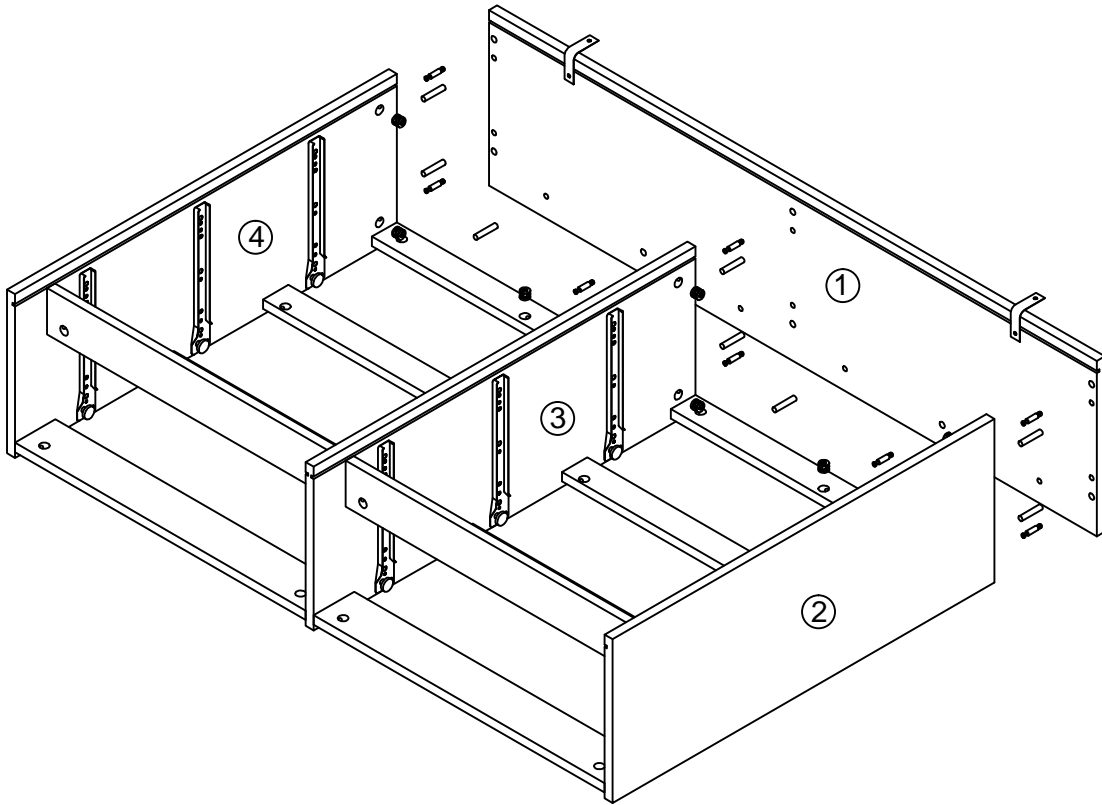
$A*20+B*16$

4



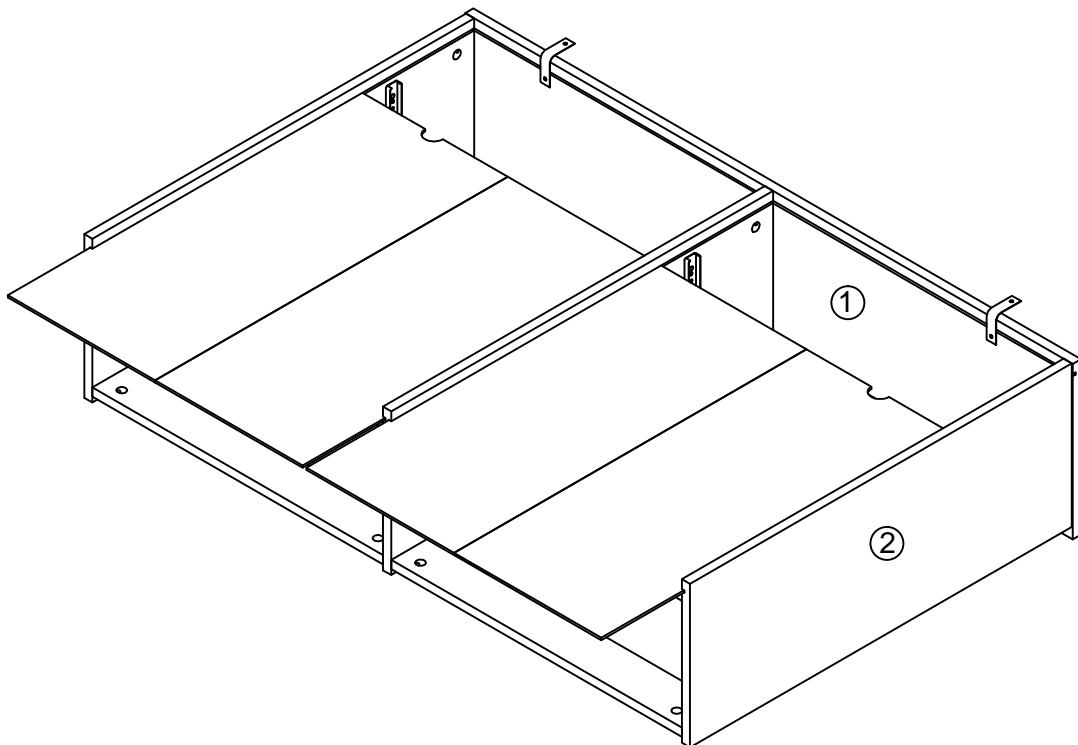
$G*2+I*2$

5

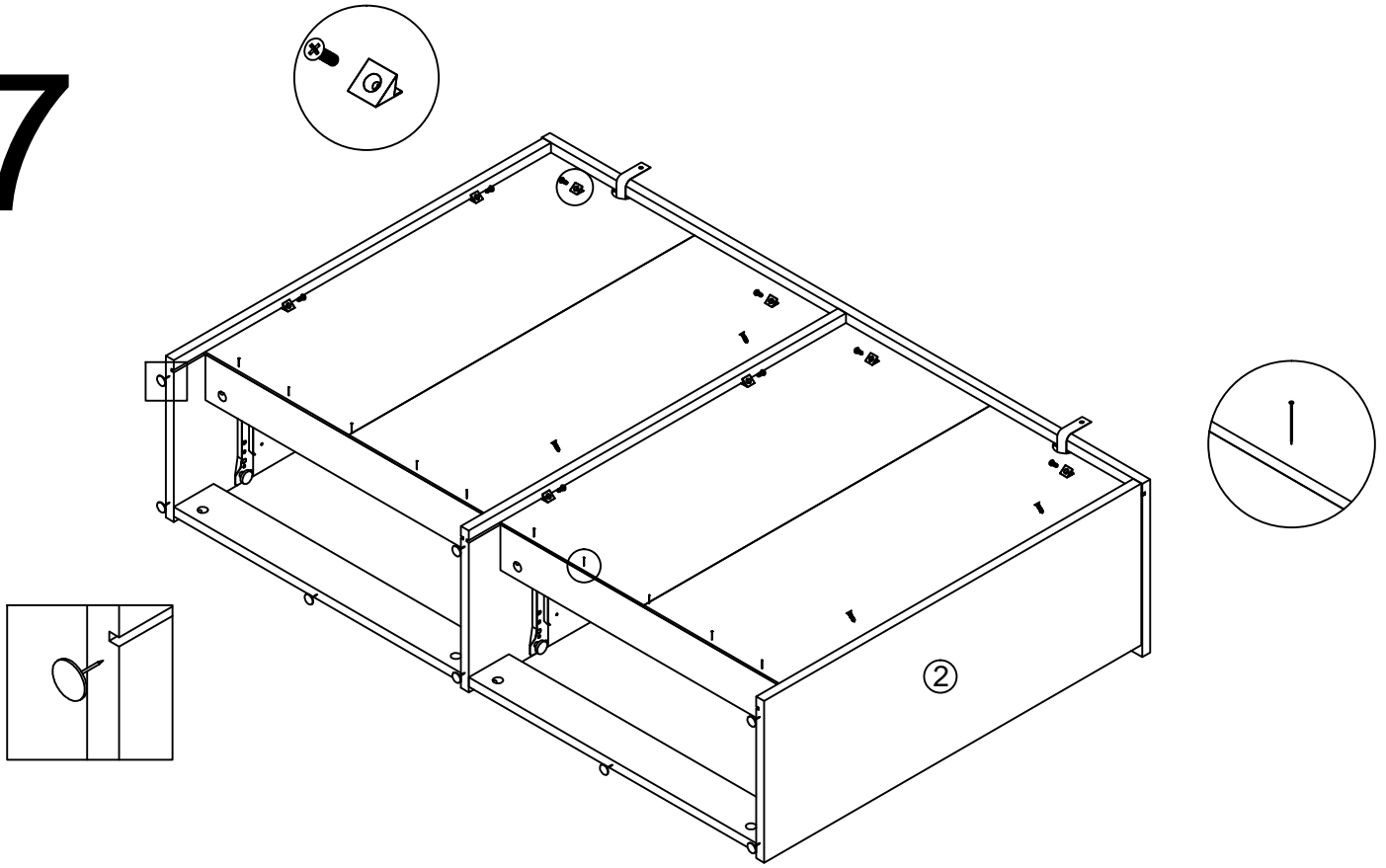


$A*8+B*10$

6

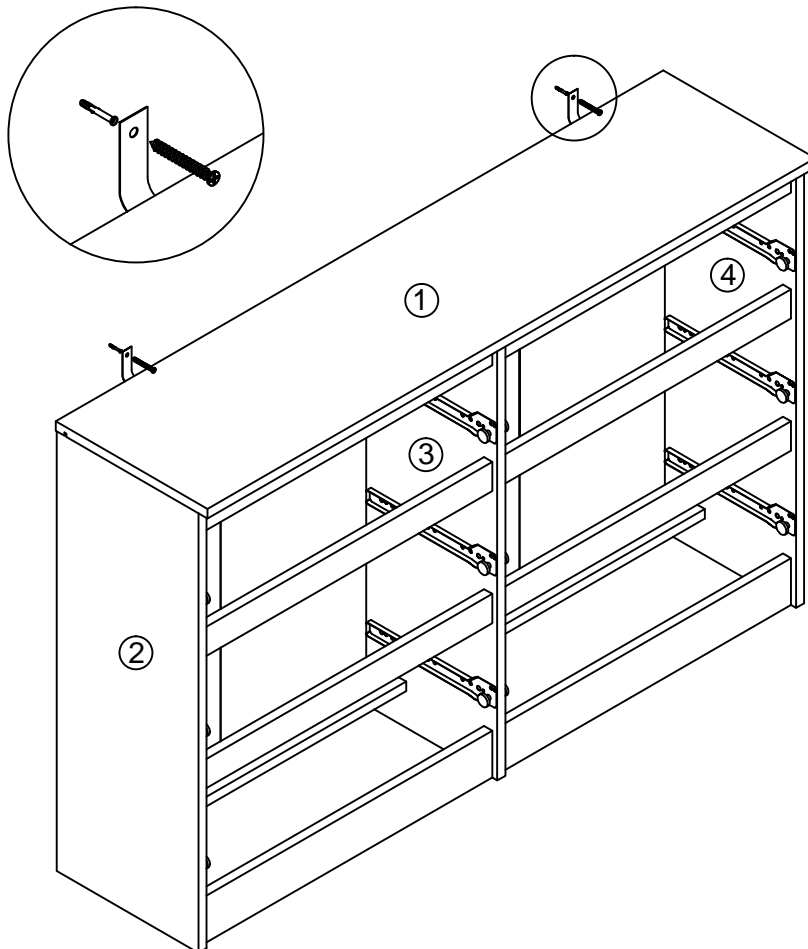


7



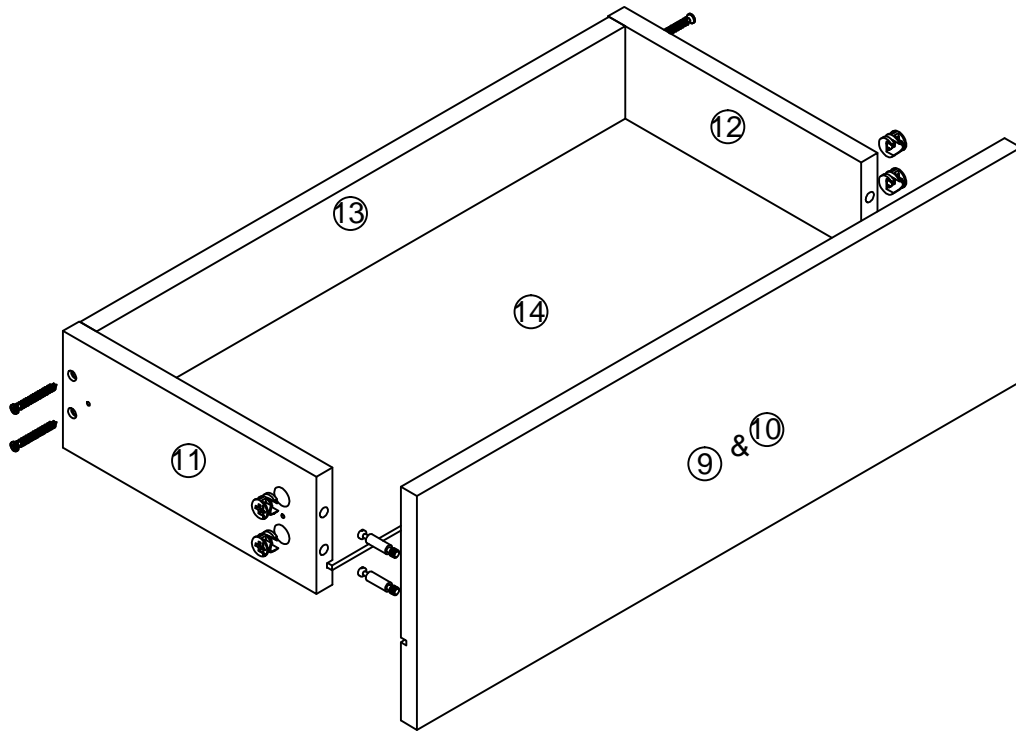
$C*8+E*12+F*10+G*12$

8



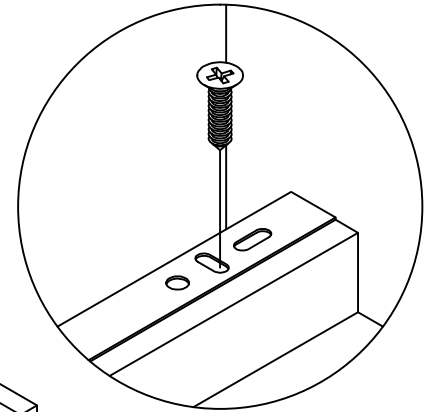
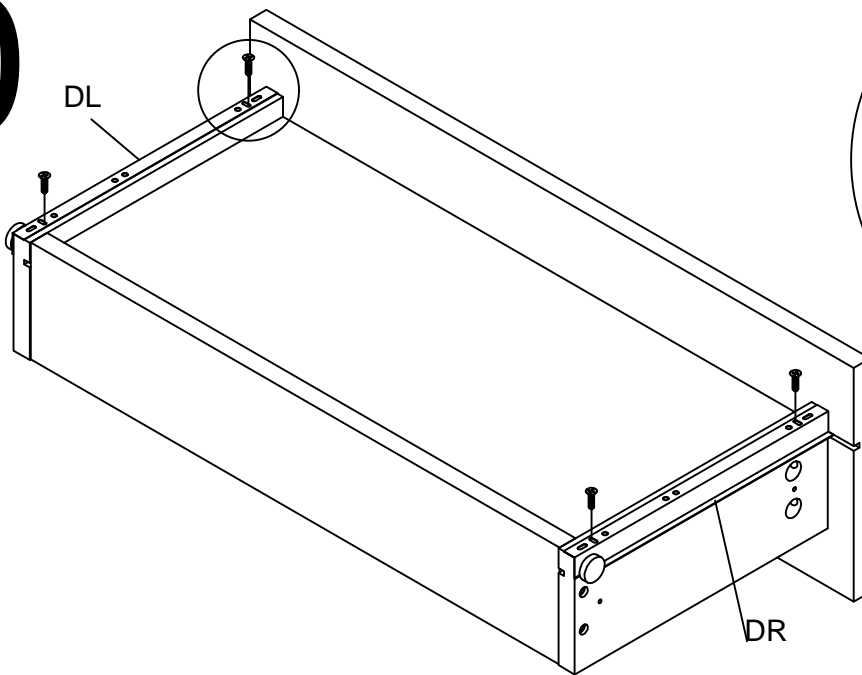
$H*2+I*2$

9



$A*24+H*24$

10



$G*24+DL*6+DR*6$

