

Sleeper Sofa

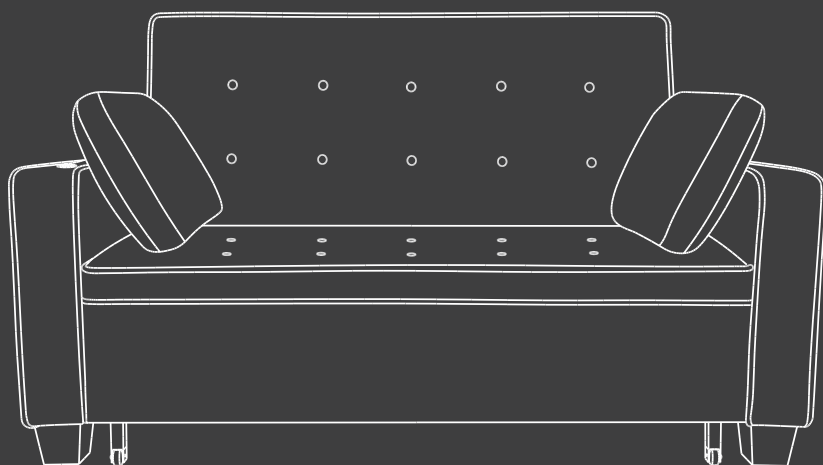
Instruction Manual

Sofá cama

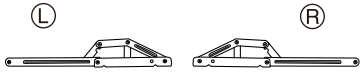
Manual de instrucciones

Canapé-lit

Manuel d'Instruction



A X1



B X1



C X1



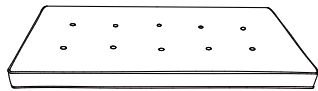
D X4



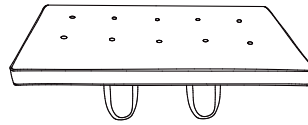
E X1



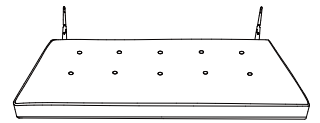
F X1



G X1



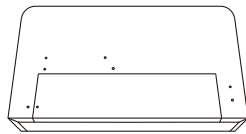
H X1



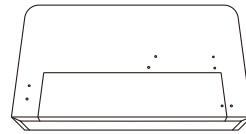
J X1



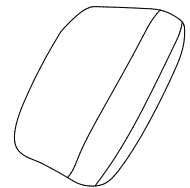
K X1



L X1



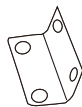
M X2



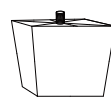
N X2



P X2



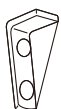
Q X4



R X1



S X1



1 X2



M6×40mm

2 X34



M6×20mm

3 X4



M4×8mm

4 X8



M8×80mm

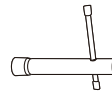
5 X8



6 X8



7 X1



8 X8



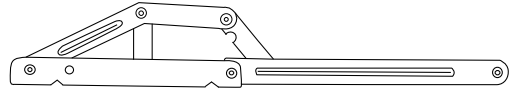
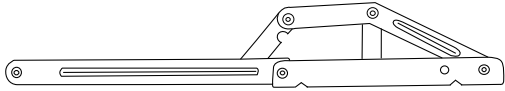
9 X1



10 X1

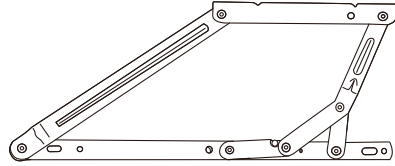
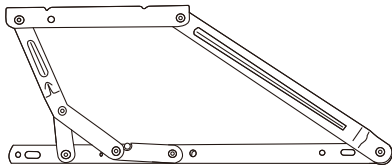


Step 1

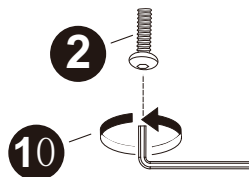
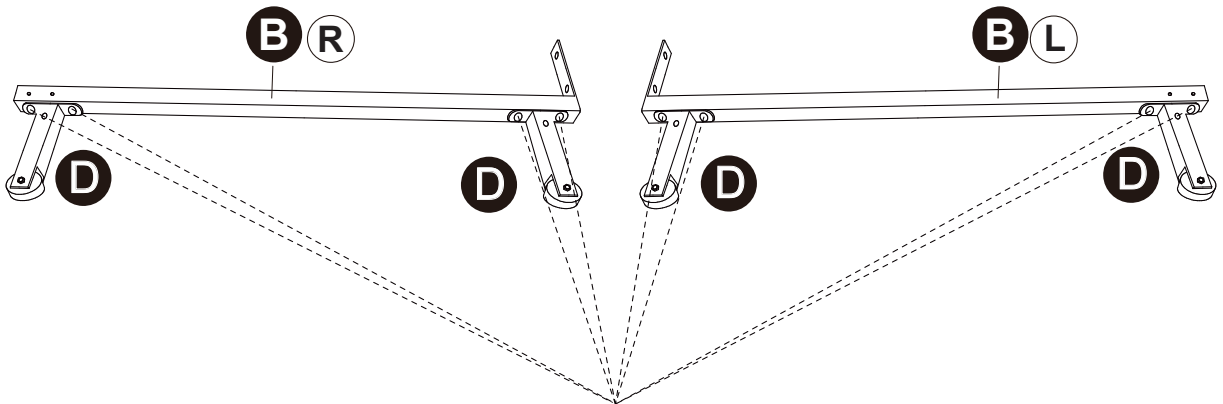
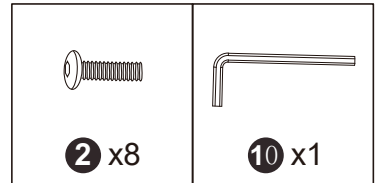


A **L** ↓

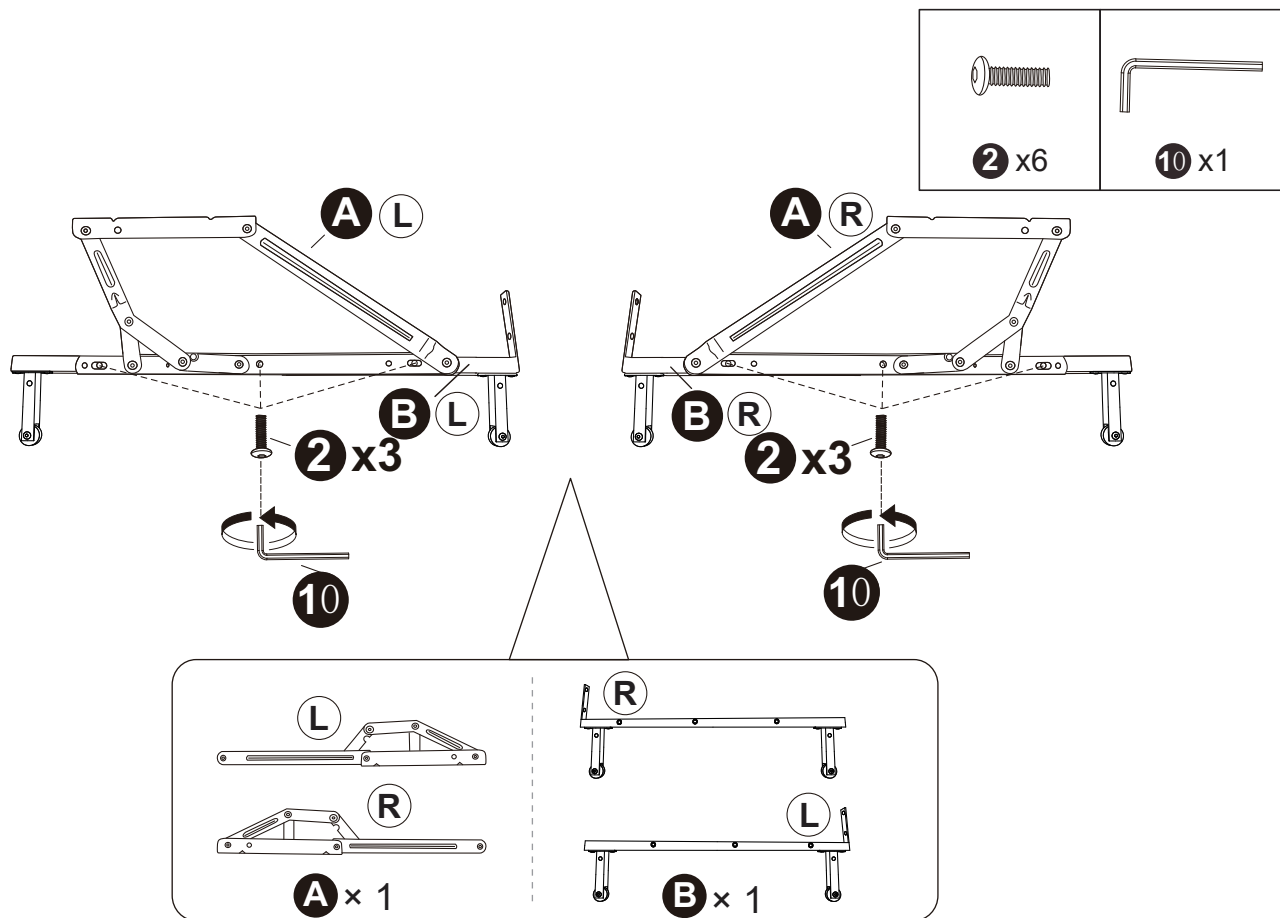
↓ **A** **R**



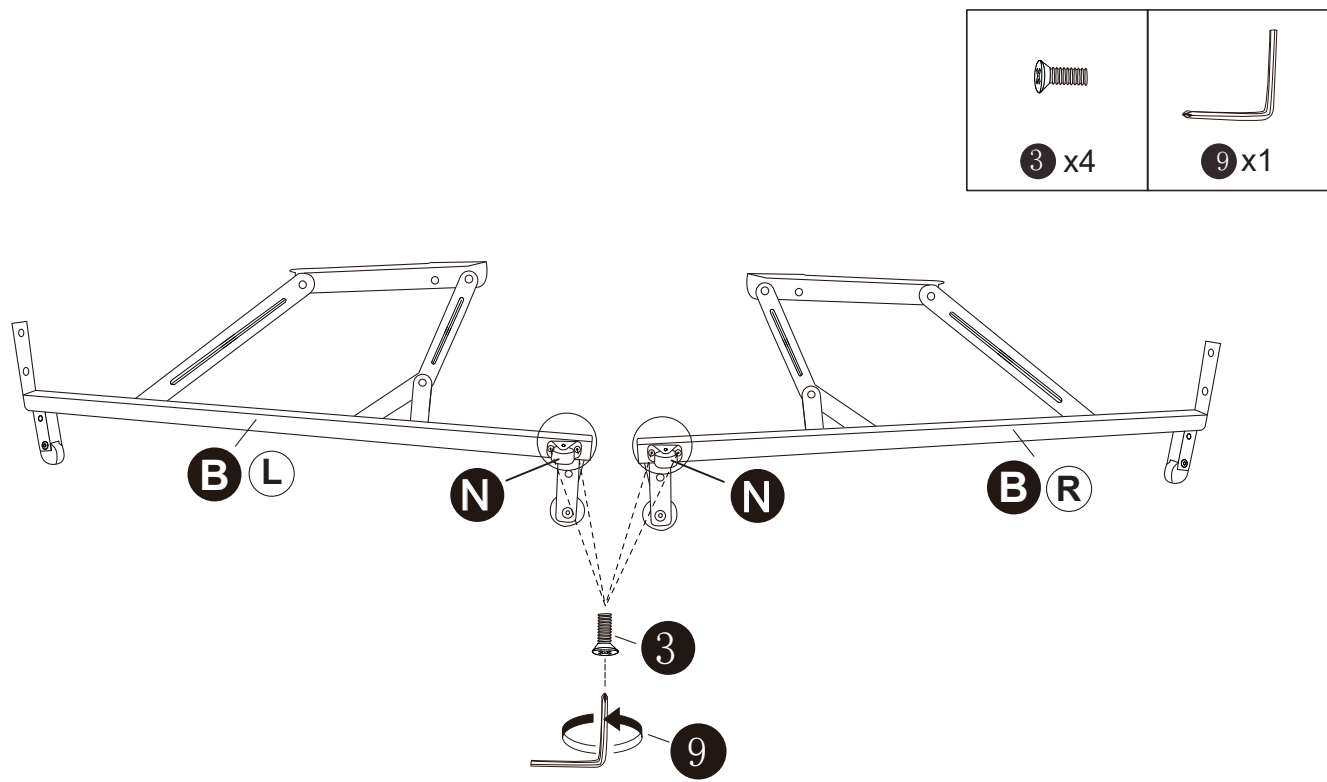
Step 2



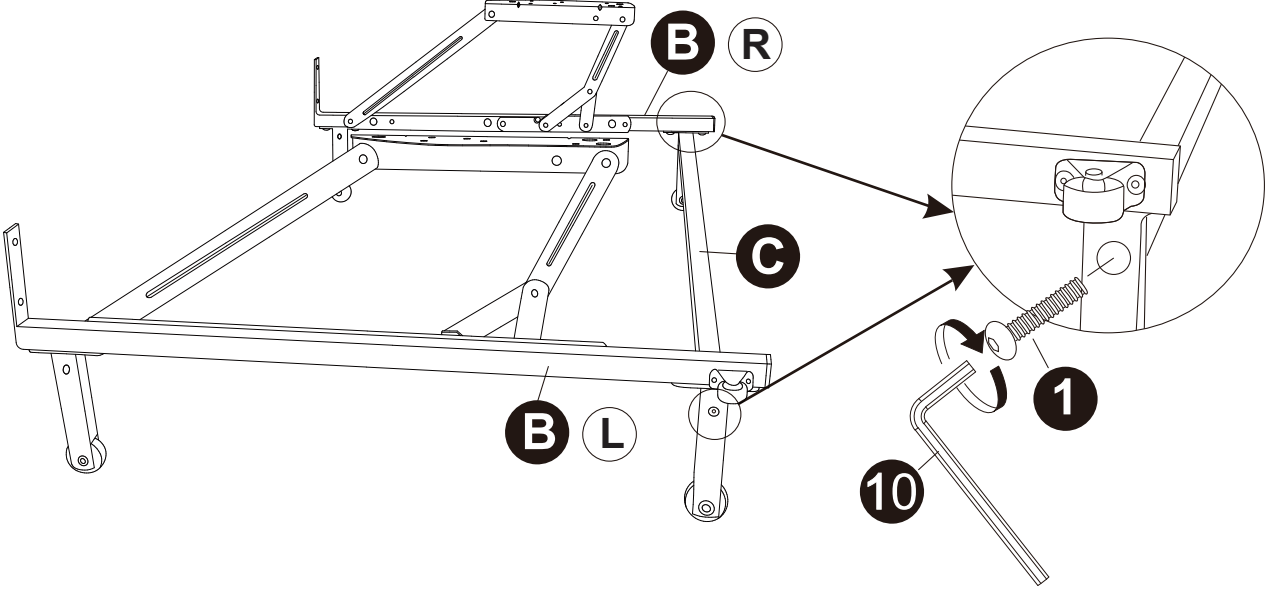
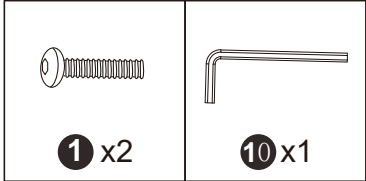
Step 3



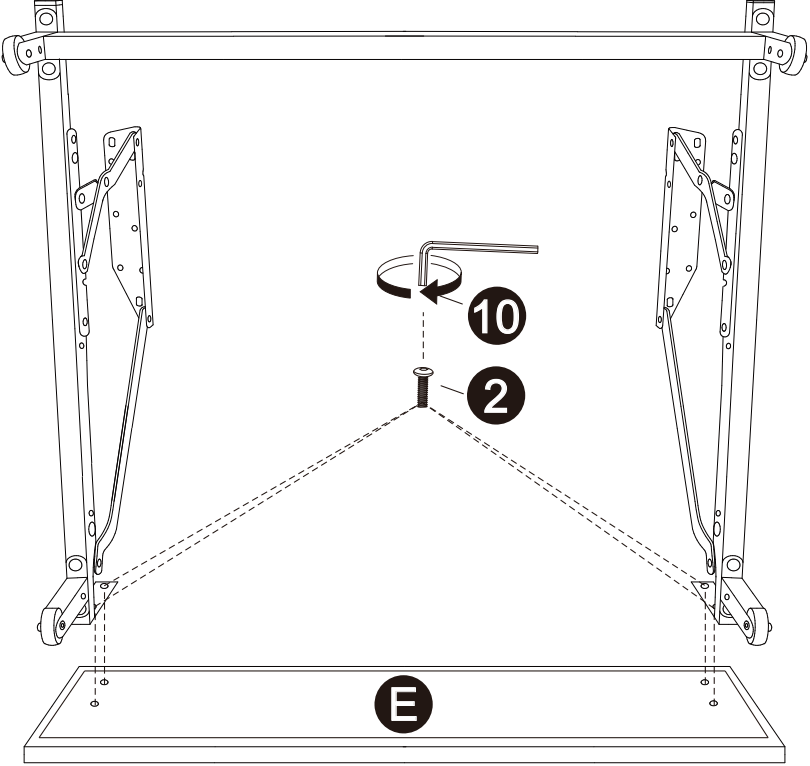
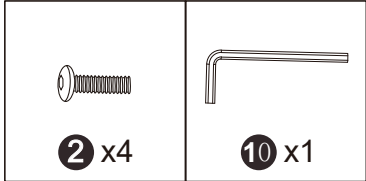
Step 4



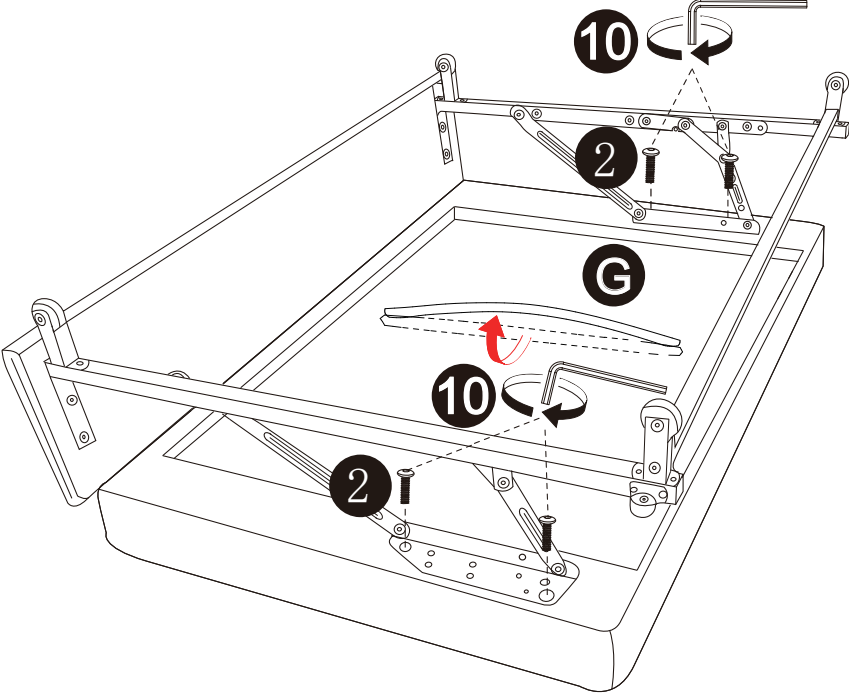
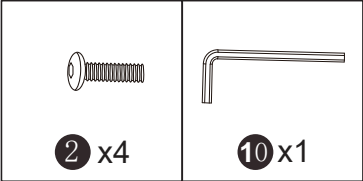
Step 5



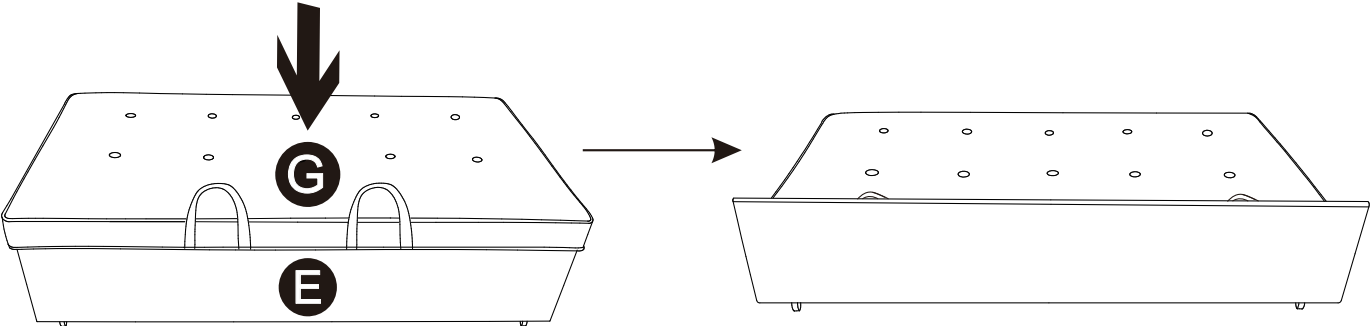
Step 6



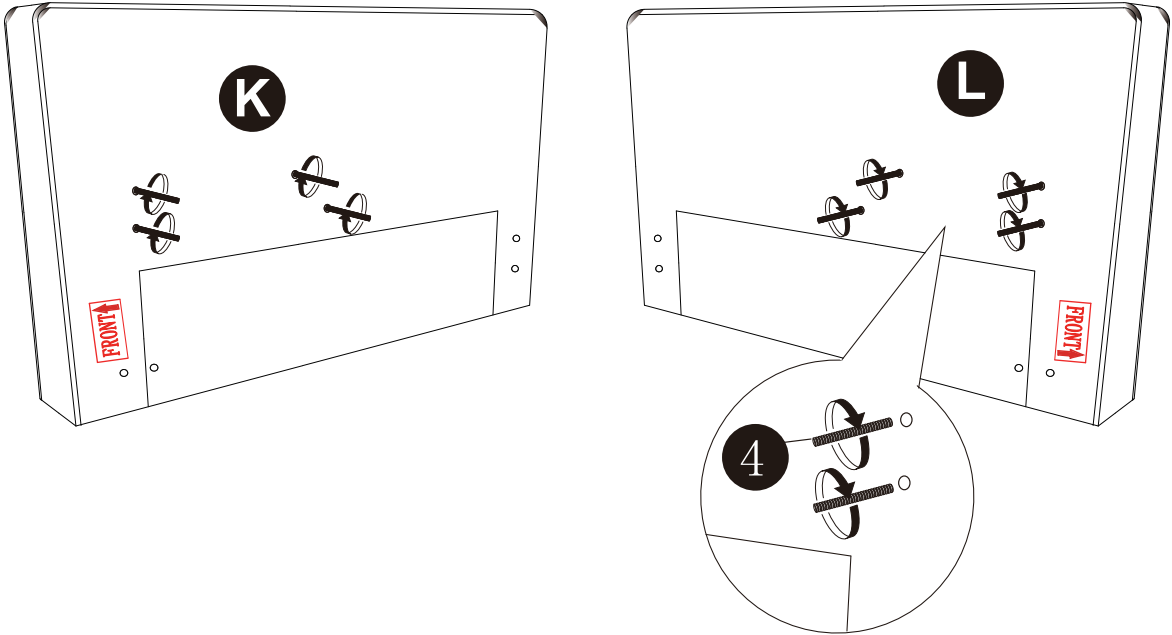
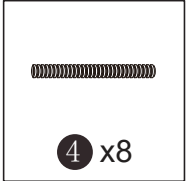
Step 7



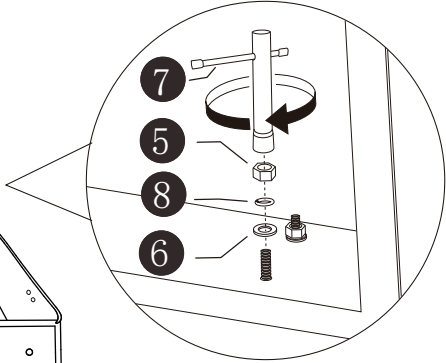
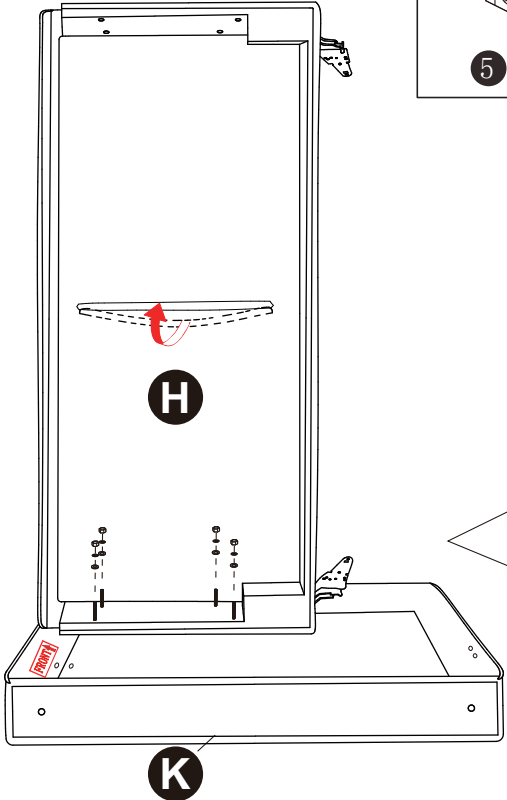
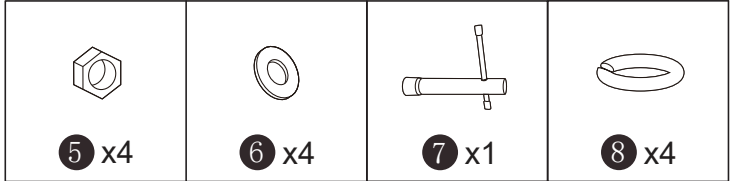
Step 8





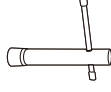

Step 9

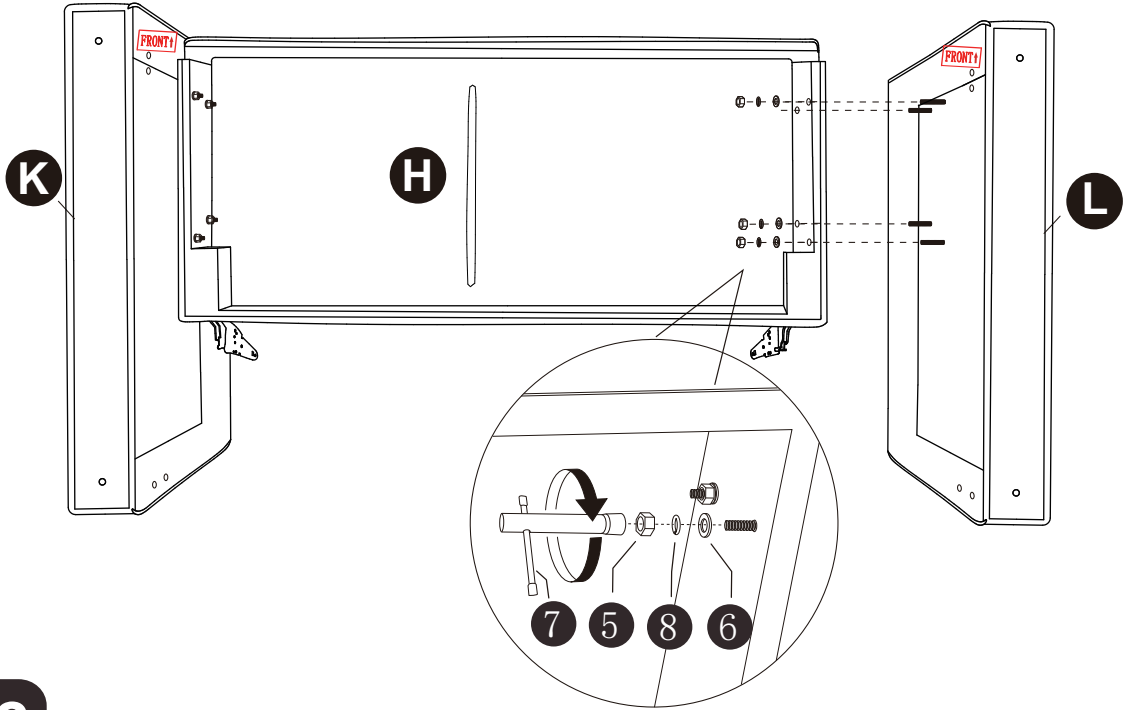


Step 10





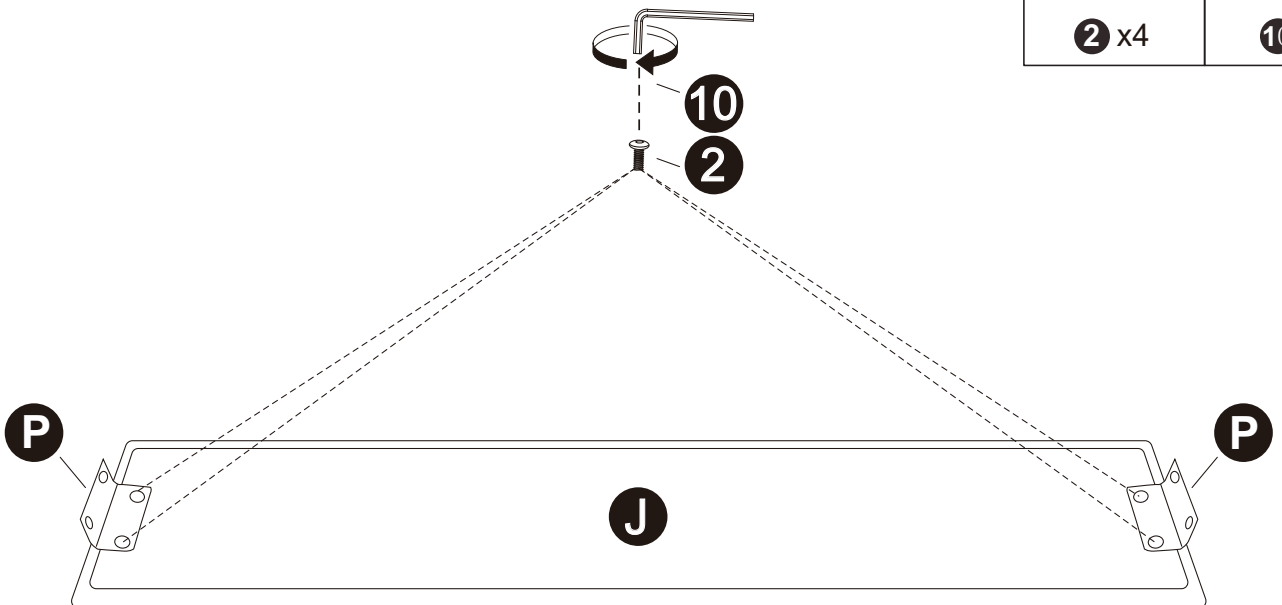
Step 11

 5 x4	 6 x4	 7 x1	 8 x4
---	---	---	---

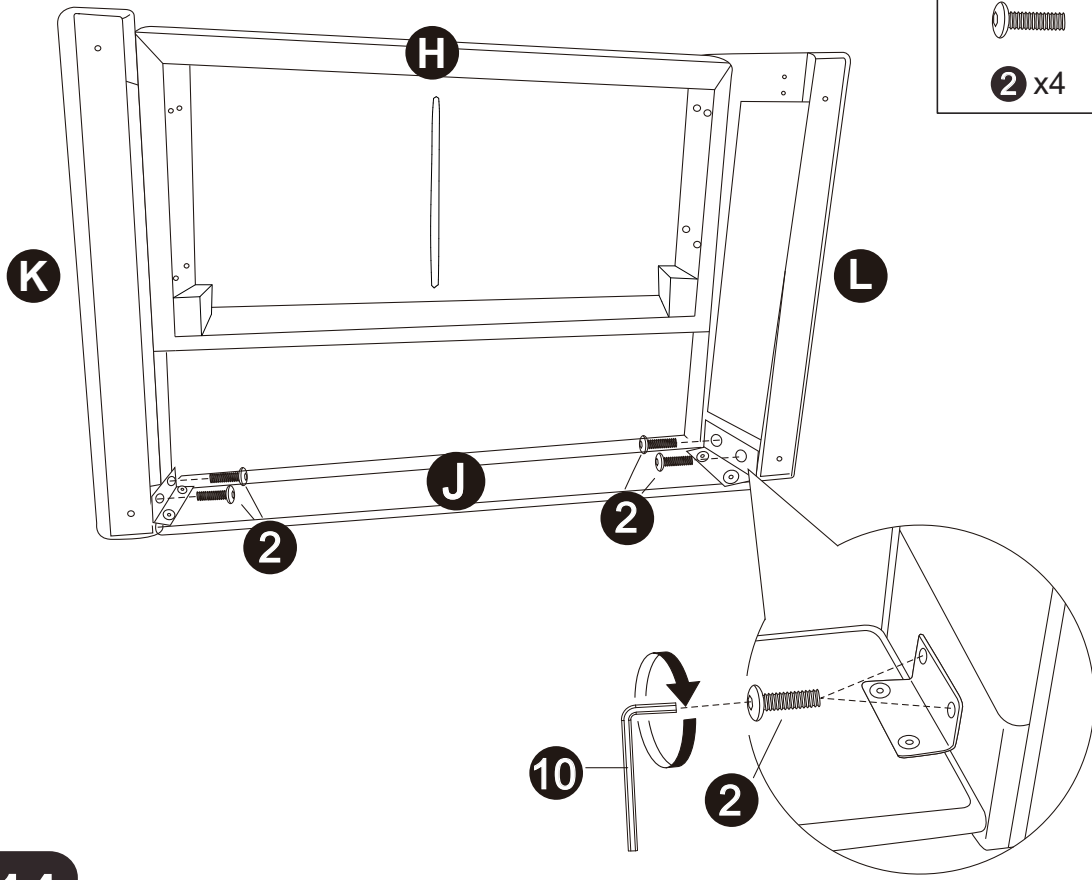


Step 12

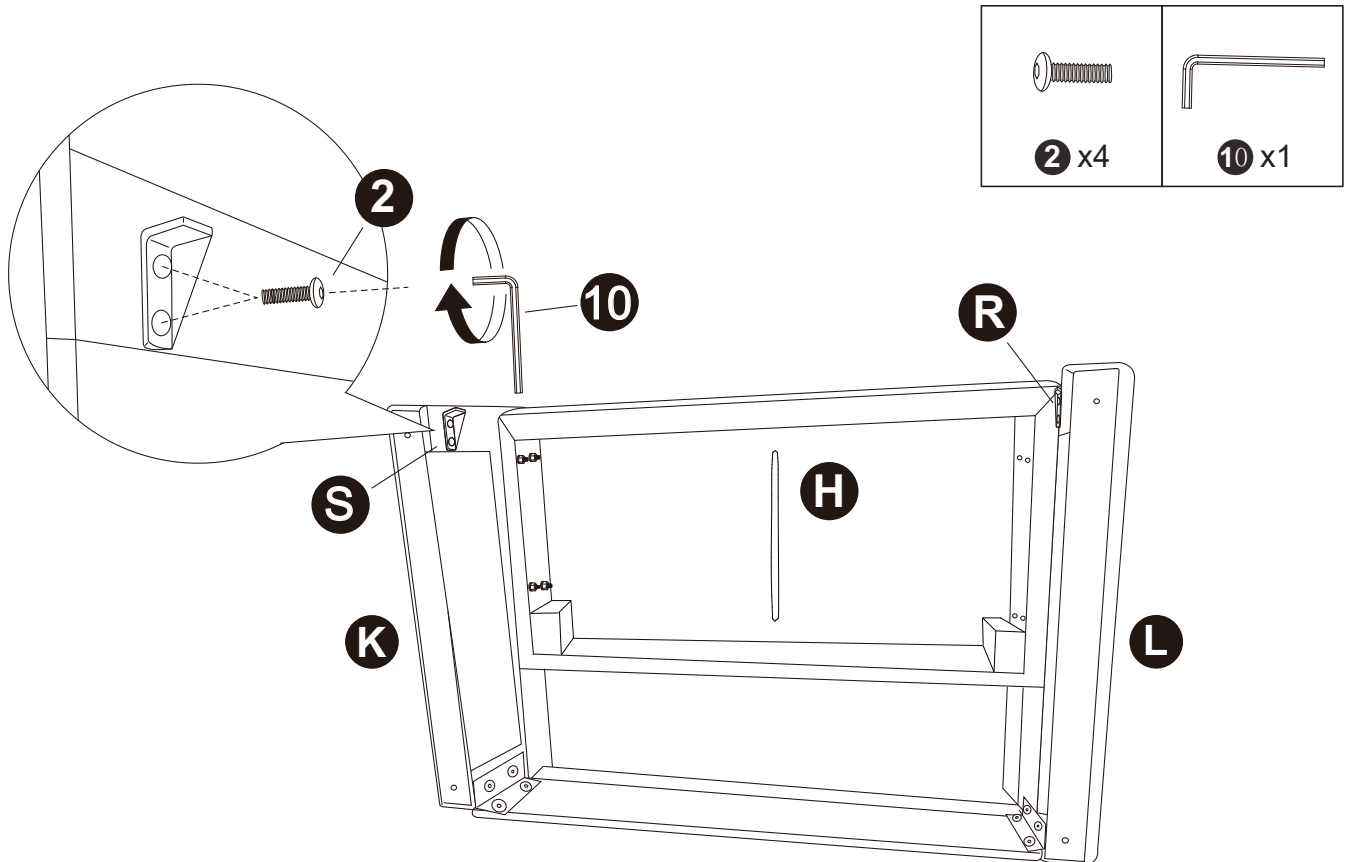
 2 x4	 10 x1
---	--



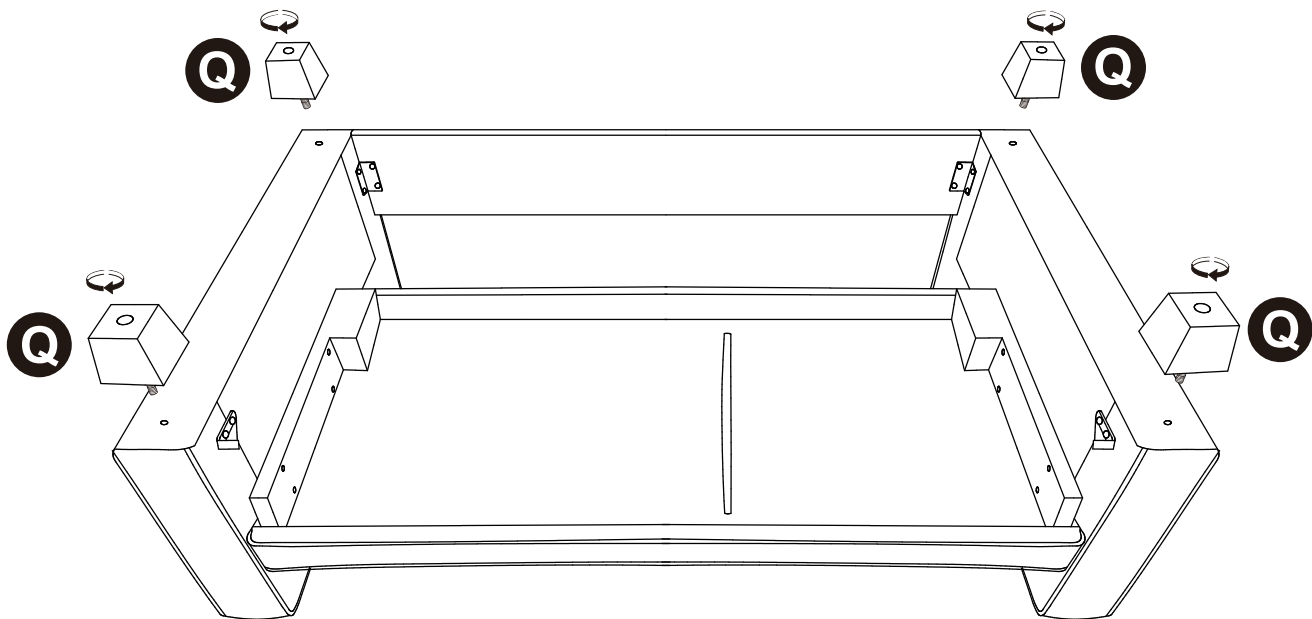
Step 13



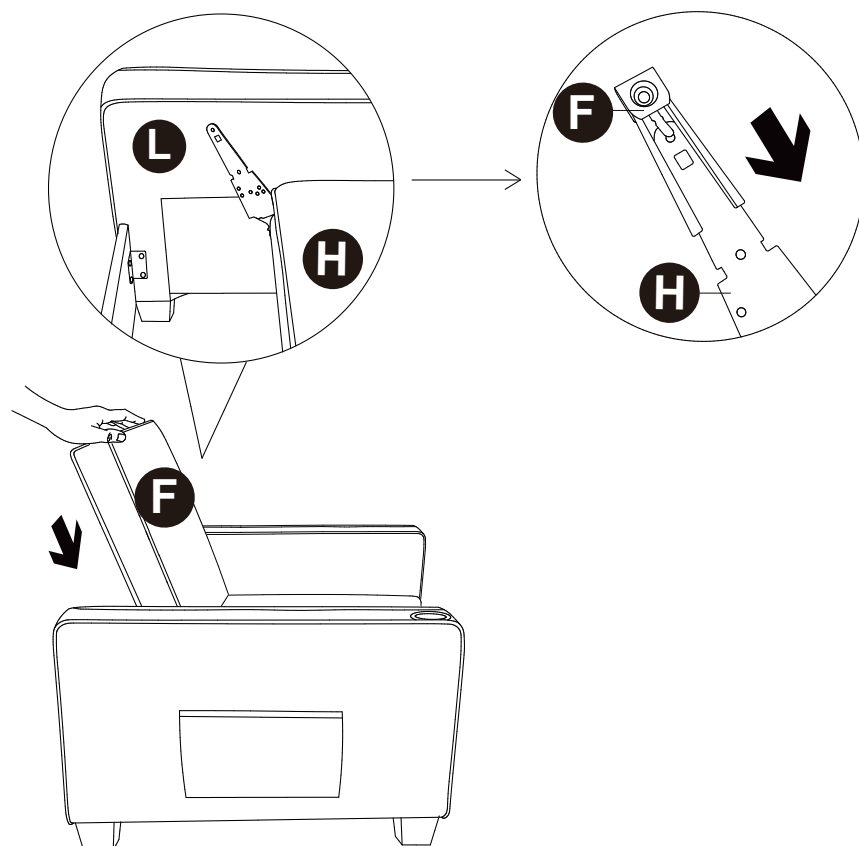
Step 14



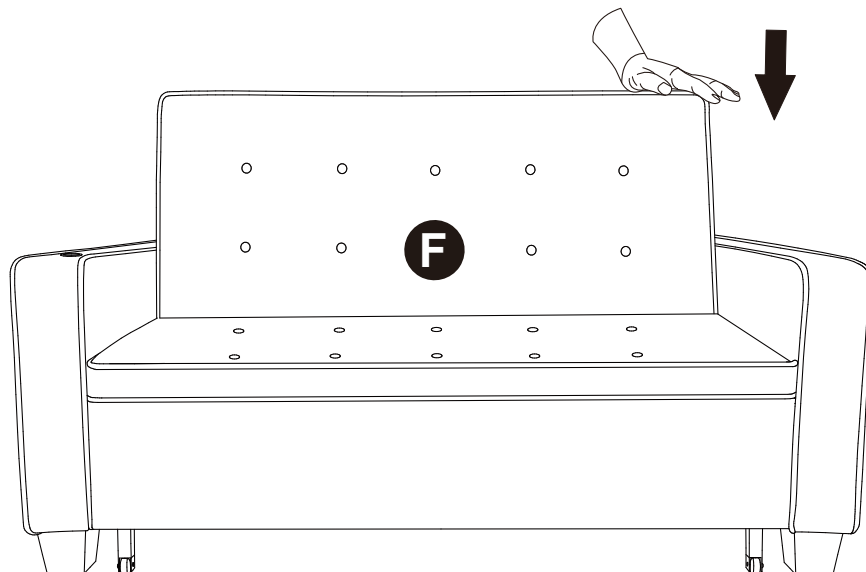
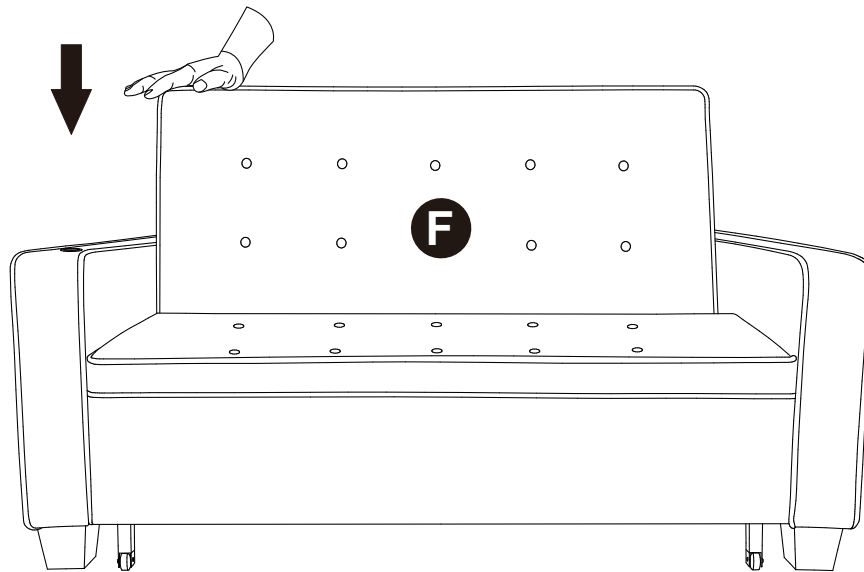
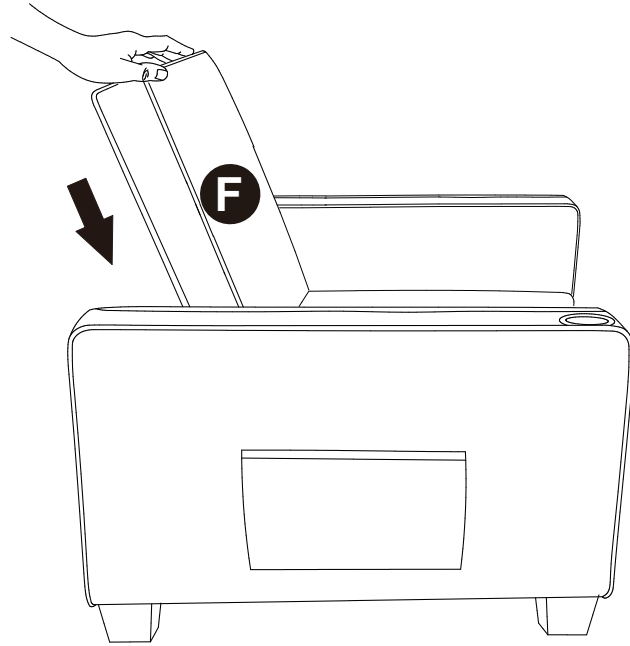
Step 15



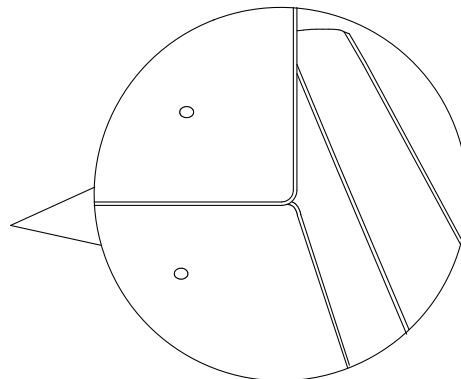
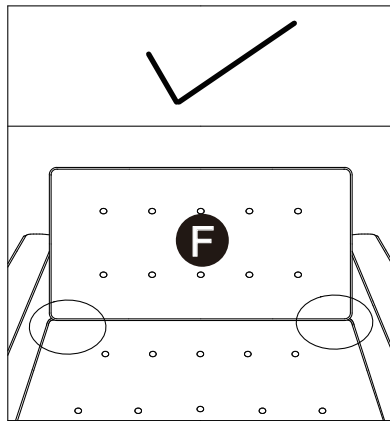
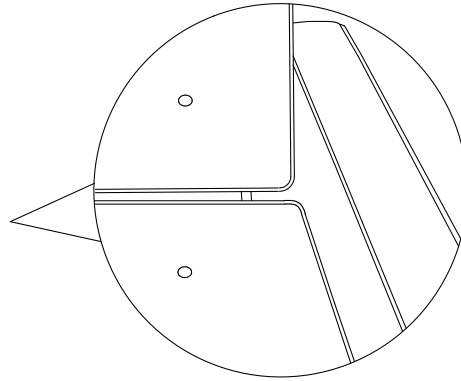
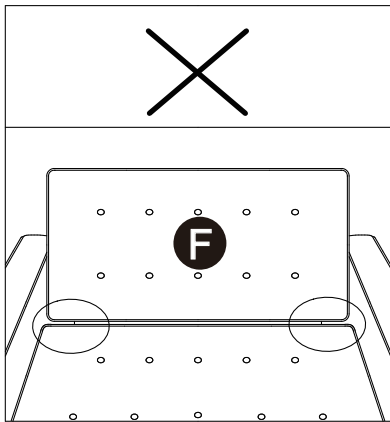
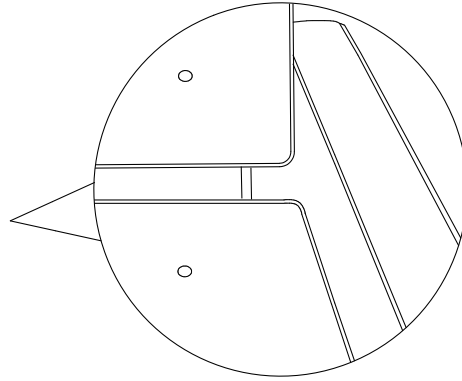
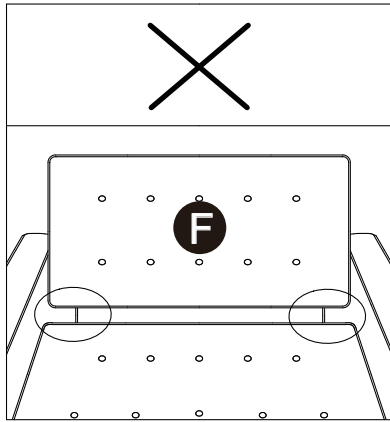
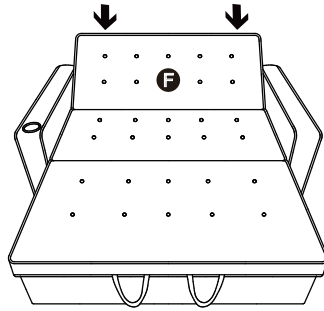
Step 16



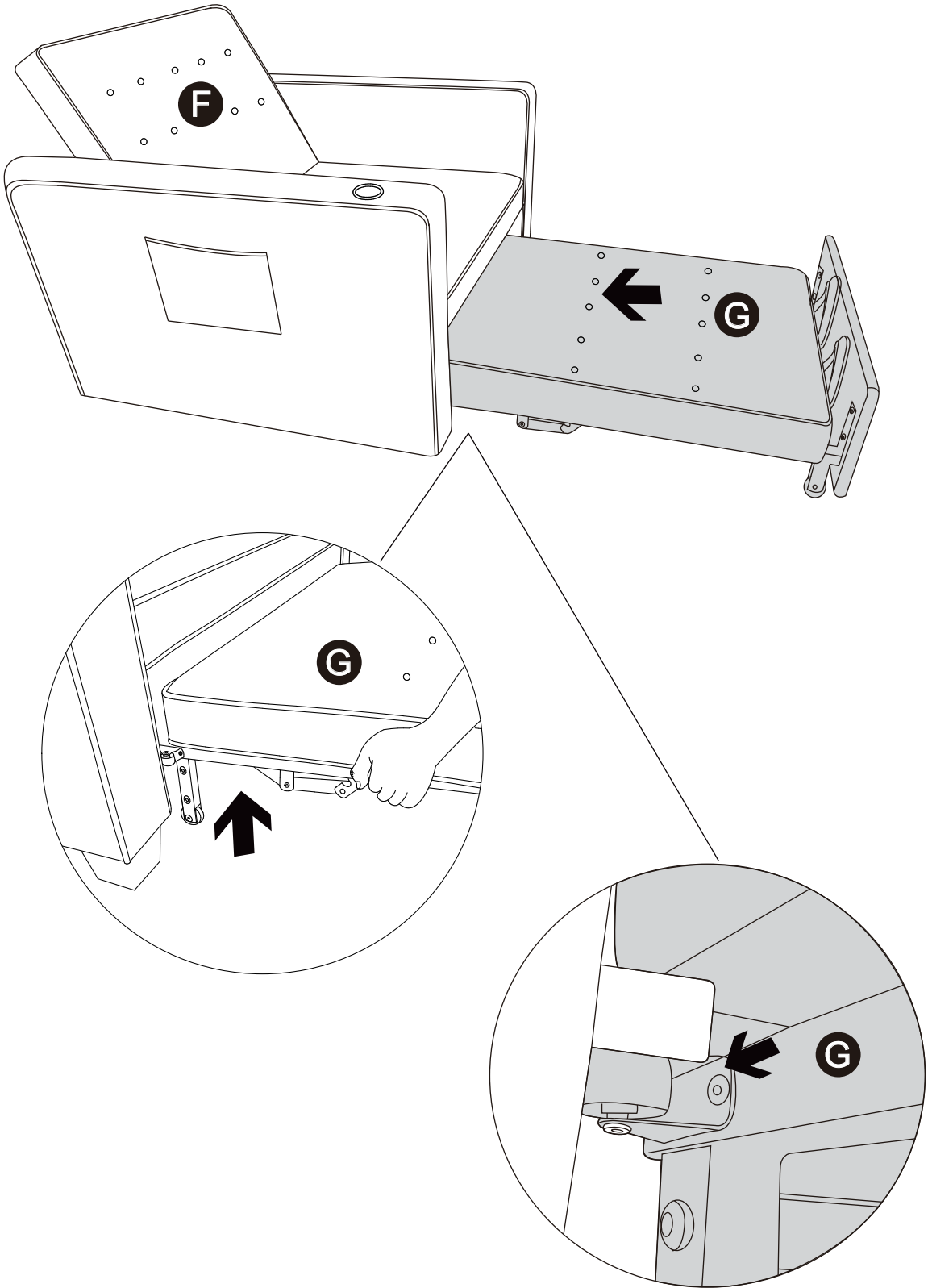
Step 17



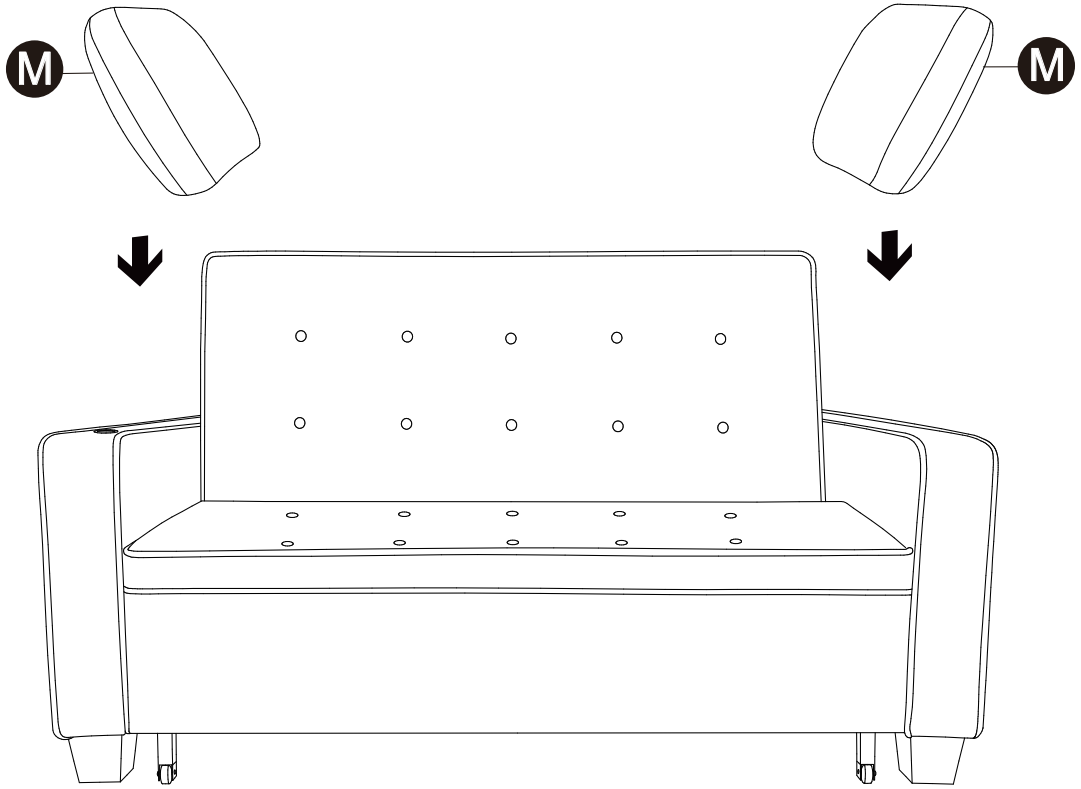
Step 18



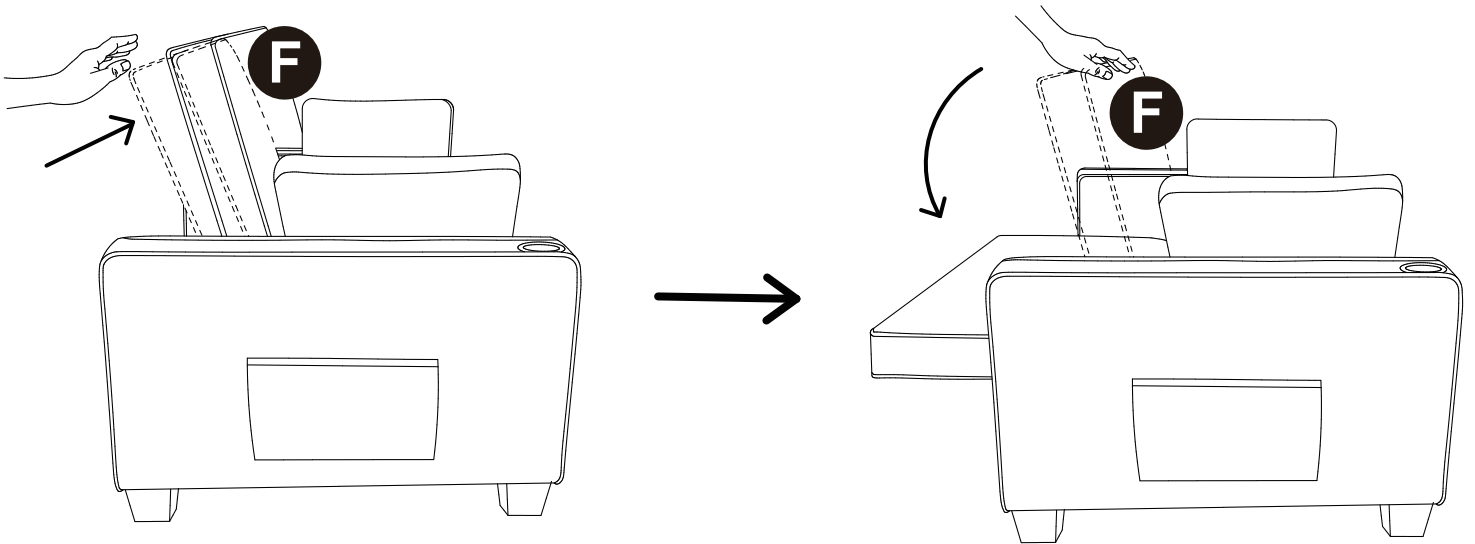
Step 19



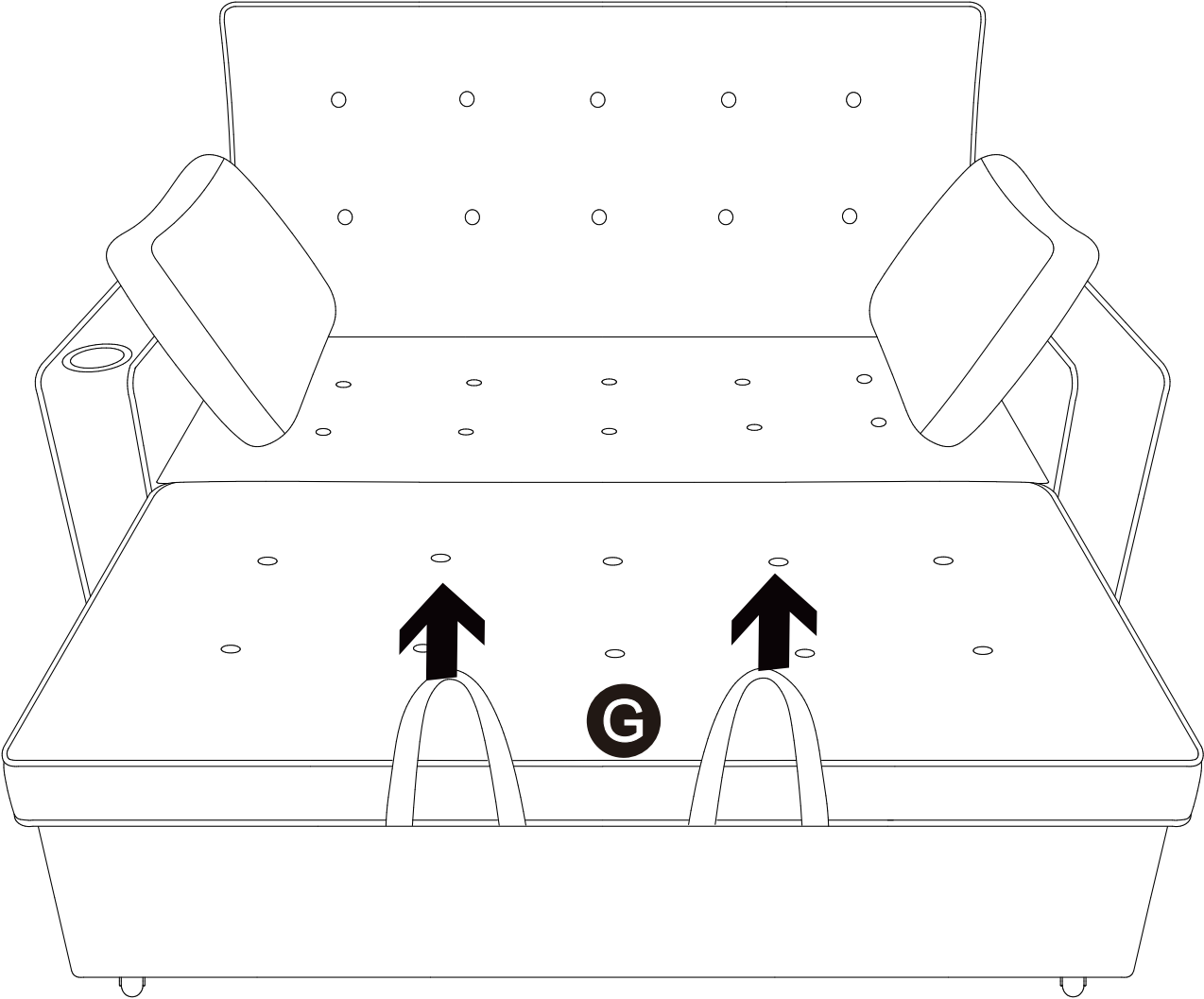
Step 20



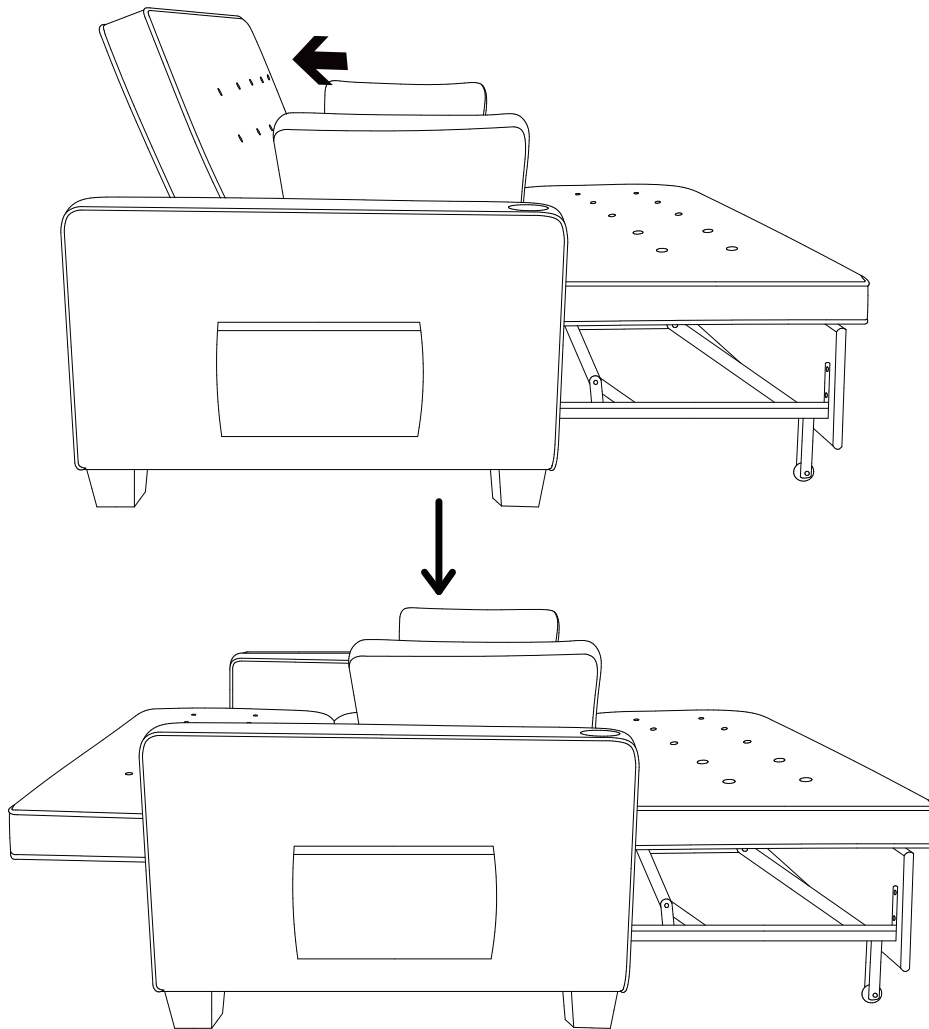
Step 21



Step 22



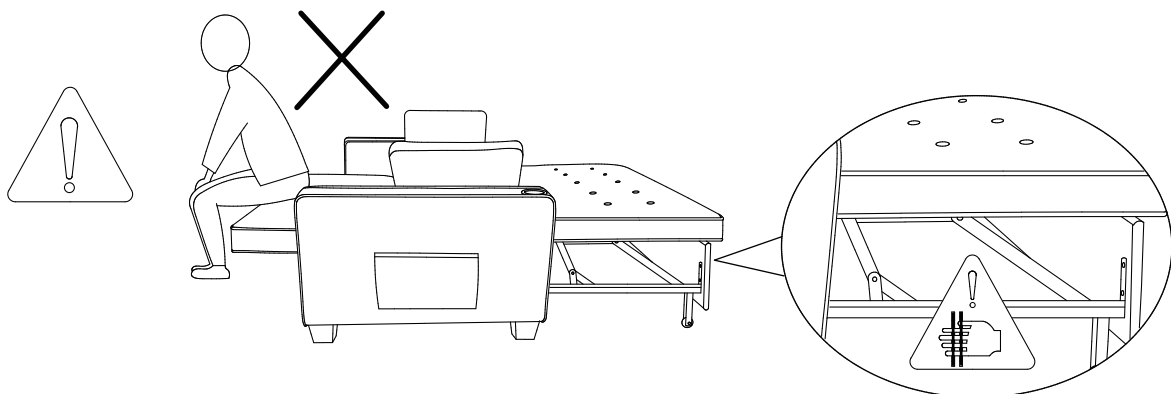
Step 23



EN: The backrest has three adjustable angles.

ES: Respaldo ajustable en 3 posiciones.

FR: Le dossier propose trois positions d'inclinaison réglables.



EN: Avoid pinching fingers.

ES: Tenga cuidado de no pillarse los dedos.

FR: Attention au pincement des doigts.

