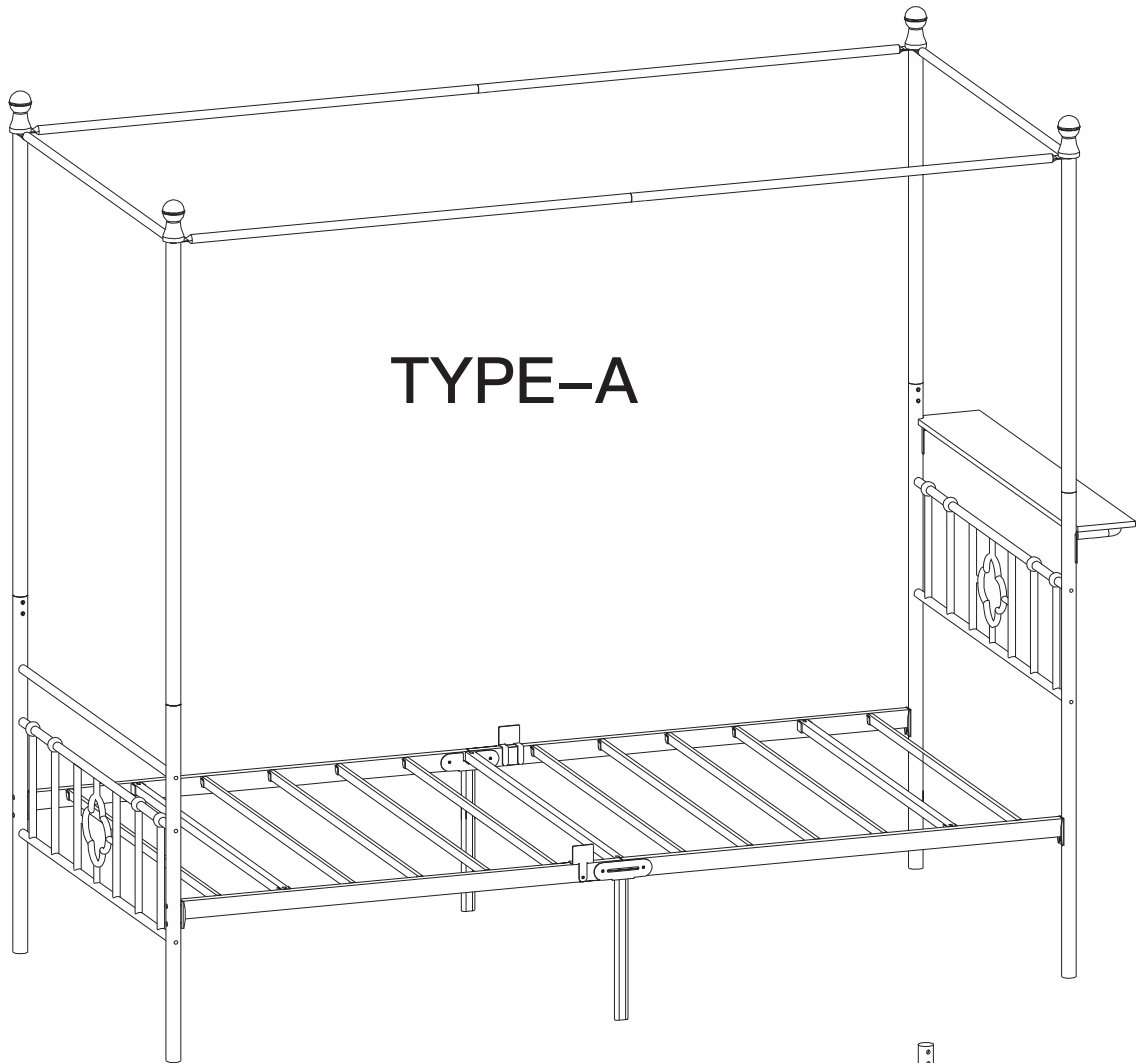
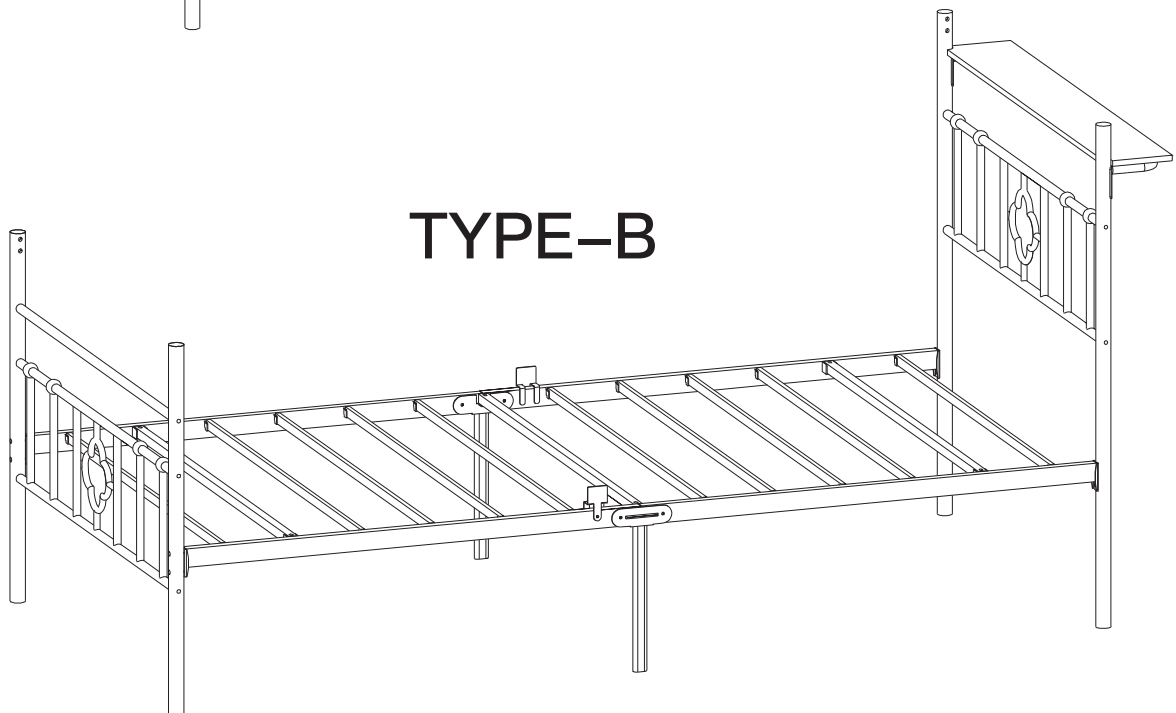


ASSEMBLY INSTRUCTION



TYPE-A

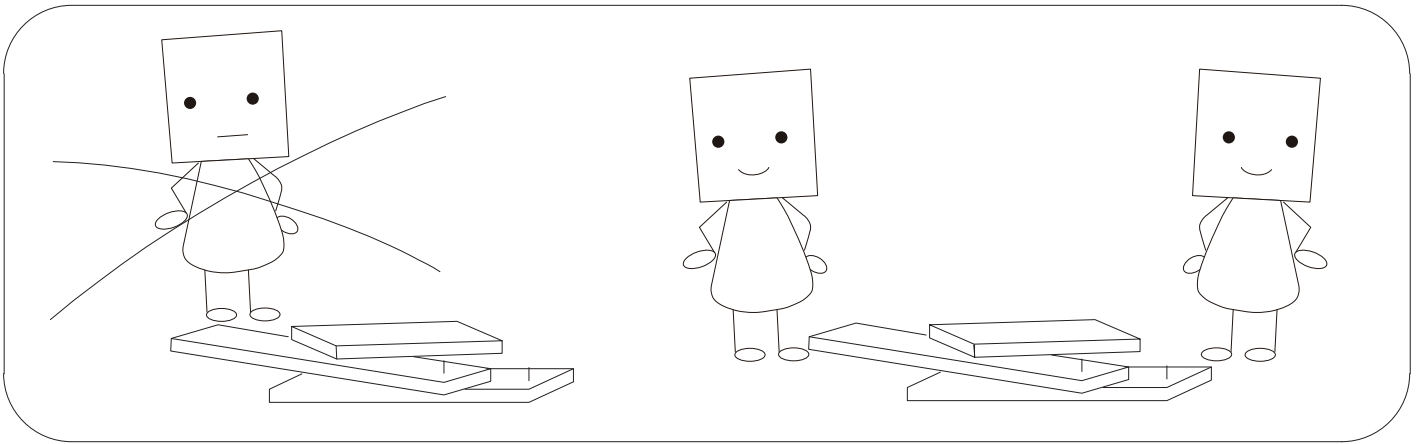


TYPE-B

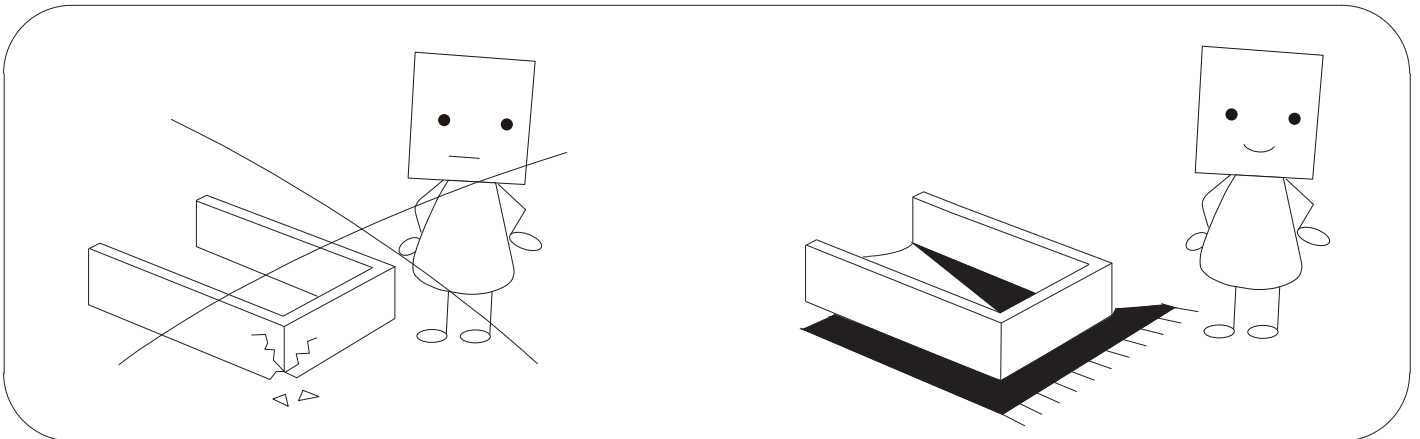


WARNING

Need Two Or More People To Complete

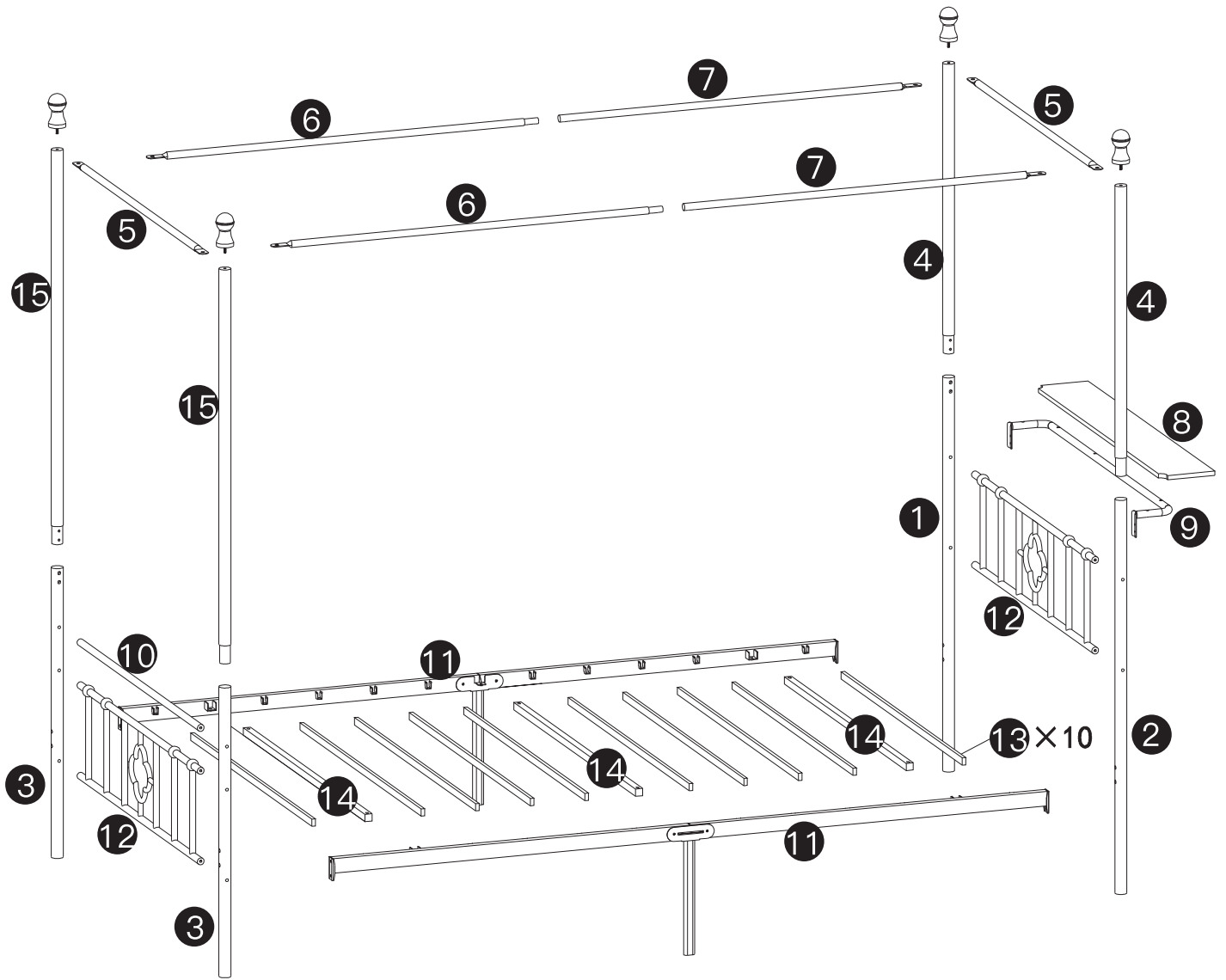


Assemble Item On a Clean Flat Surface



- Please check you have all hardware before assembling.
- Please ensure you have the name of the item and hardware part required and quantity.
- If you have any questions, please contact us by original purchase platform.
we will reply you ASAP.

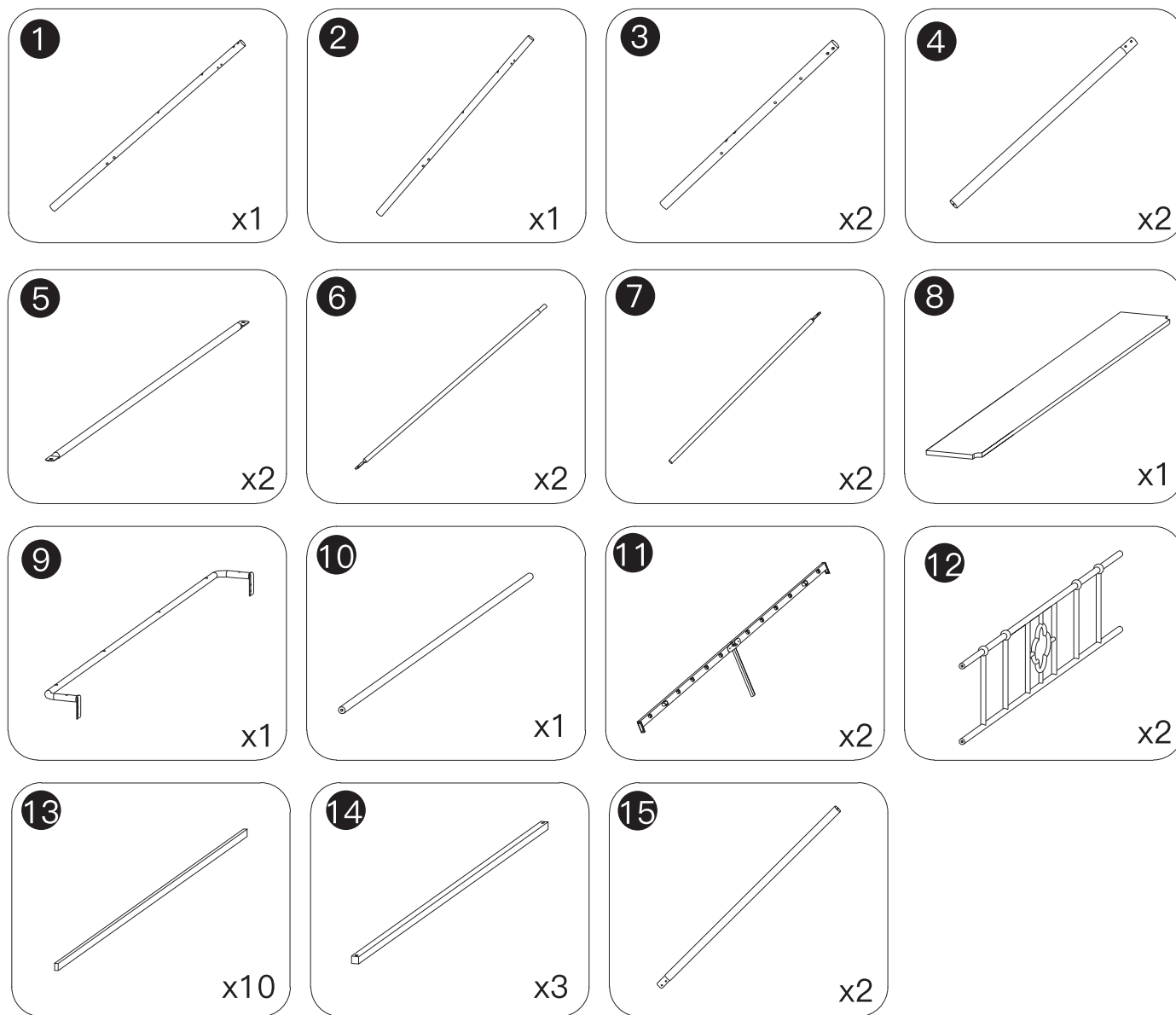
EXPLODED DRAWING:

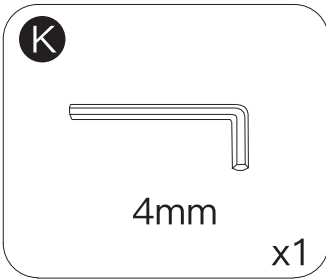
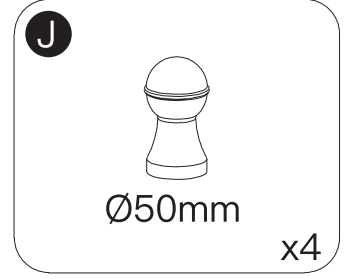
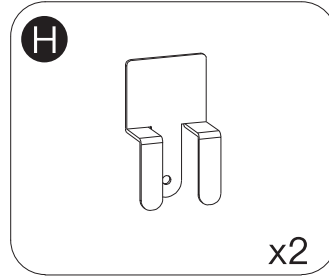
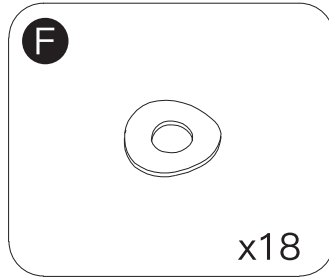
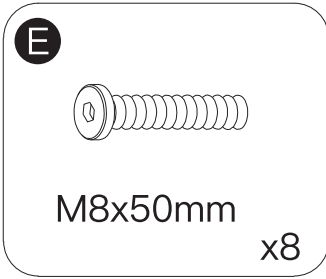
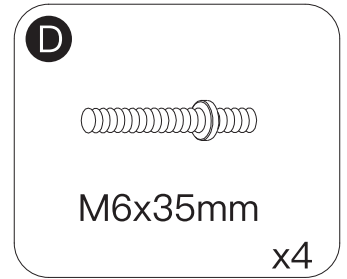
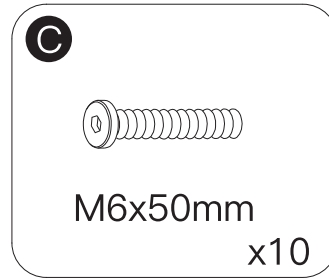
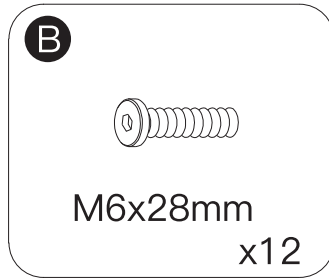
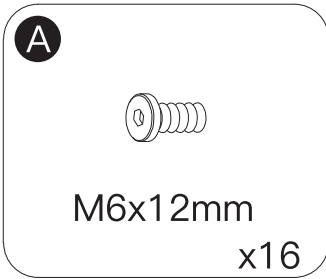


Please check all parts and accessories according to the parts list before assembling, make sure all contents are sufficient and in good condition.

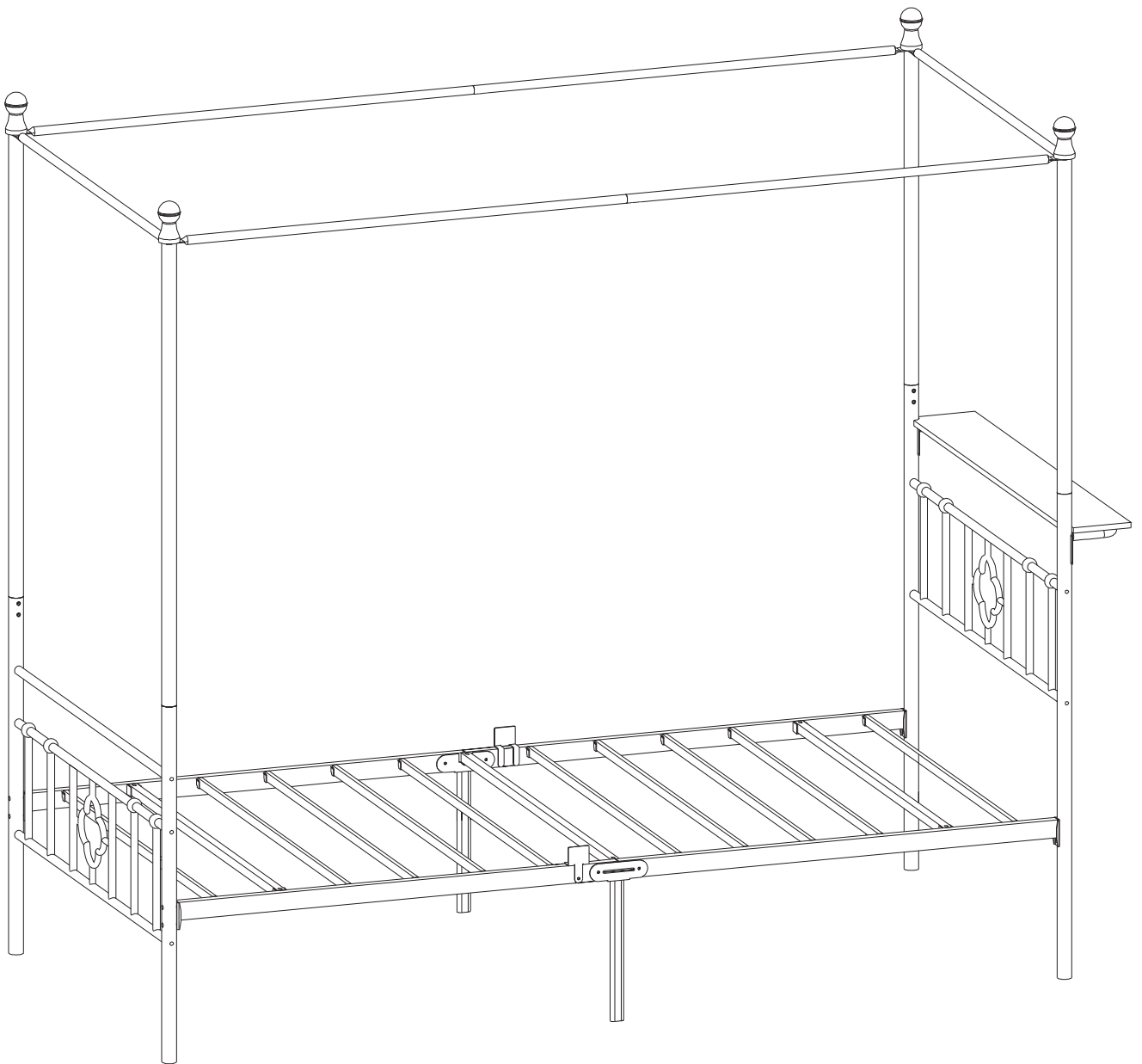
If there is any parts missing or defective, please contact us with purchase platform message immediately to get replacement parts.

PARTS:



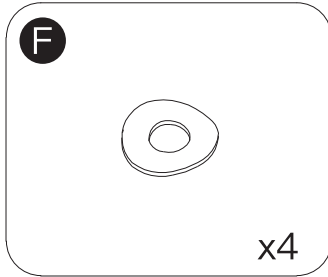
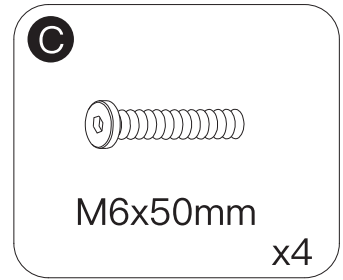
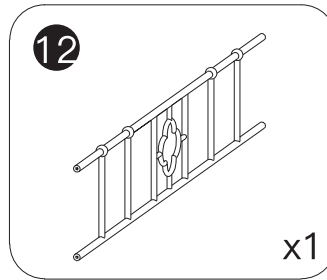
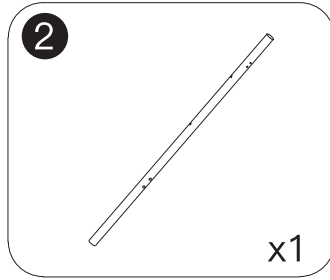
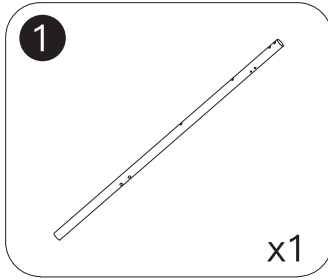


TYPE-A INSTALLATION



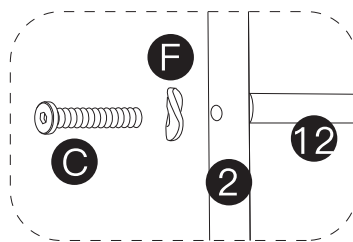
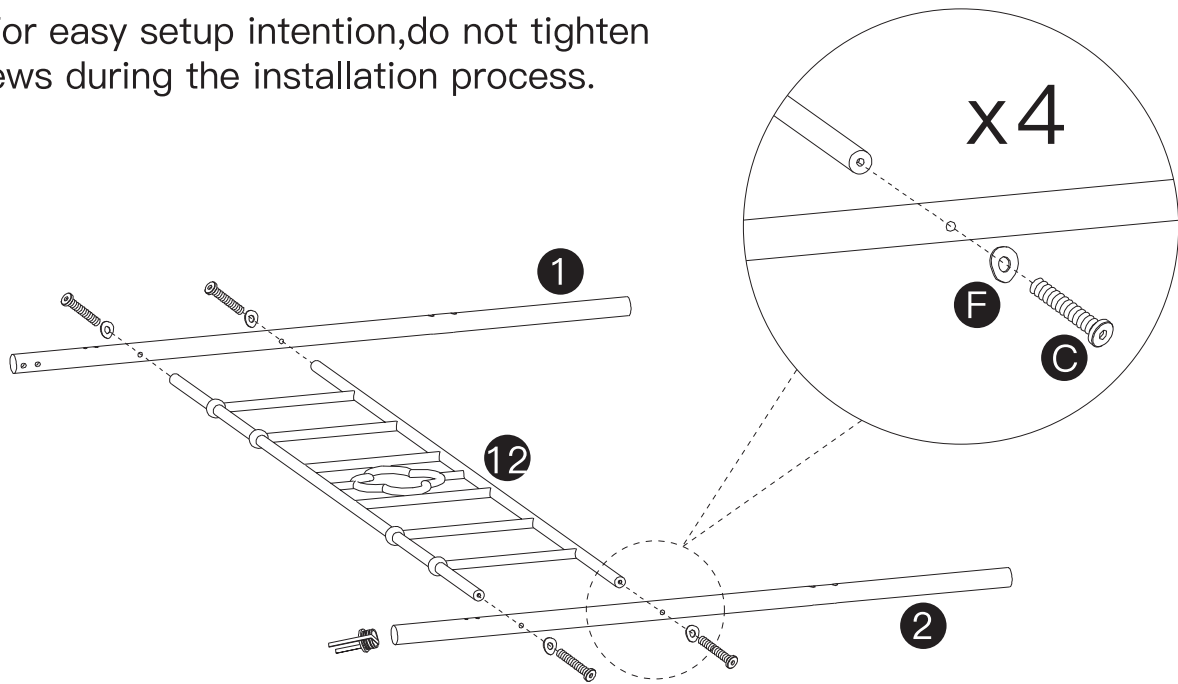
HOW TO INSTALL

STEP 1



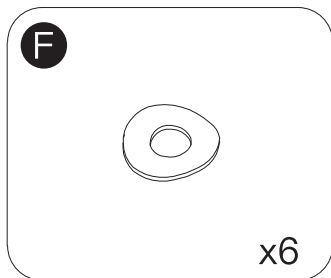
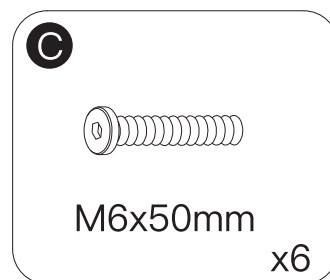
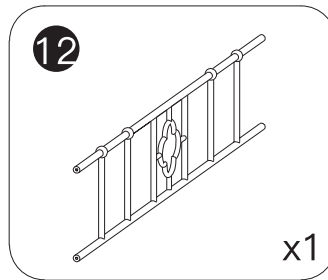
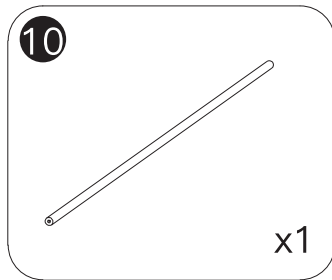
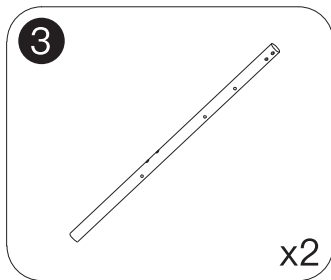
NOTICE:

(1) For easy setup intention, do not tighten screws during the installation process.



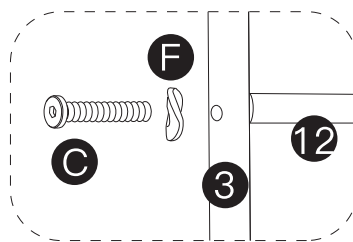
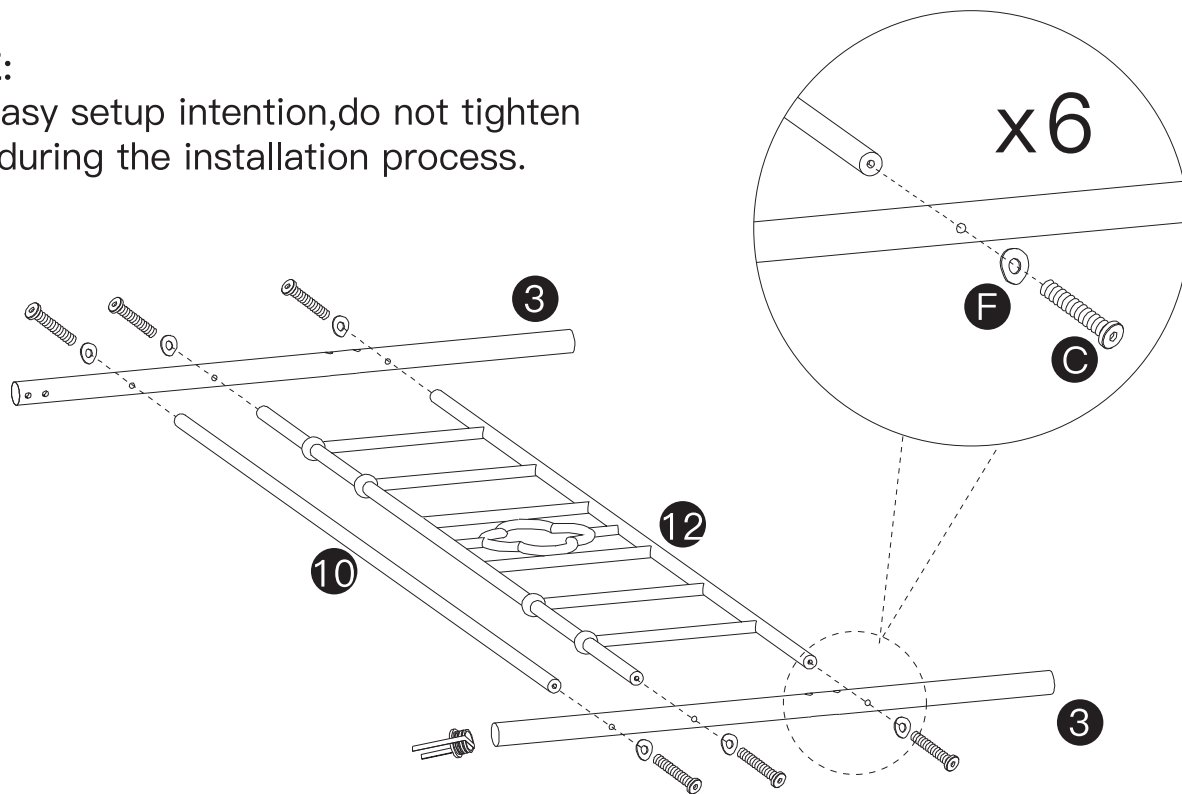
(2) Please pay attention to the orientation of the groove on part **F**.

STEP 2



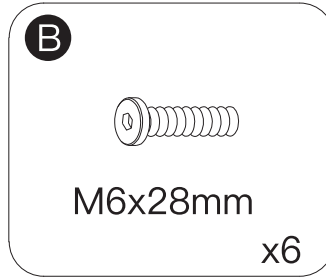
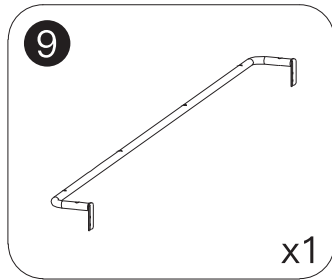
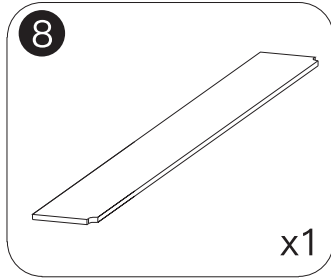
NOTICE:

(1) For easy setup intention, do not tighten screws during the installation process.

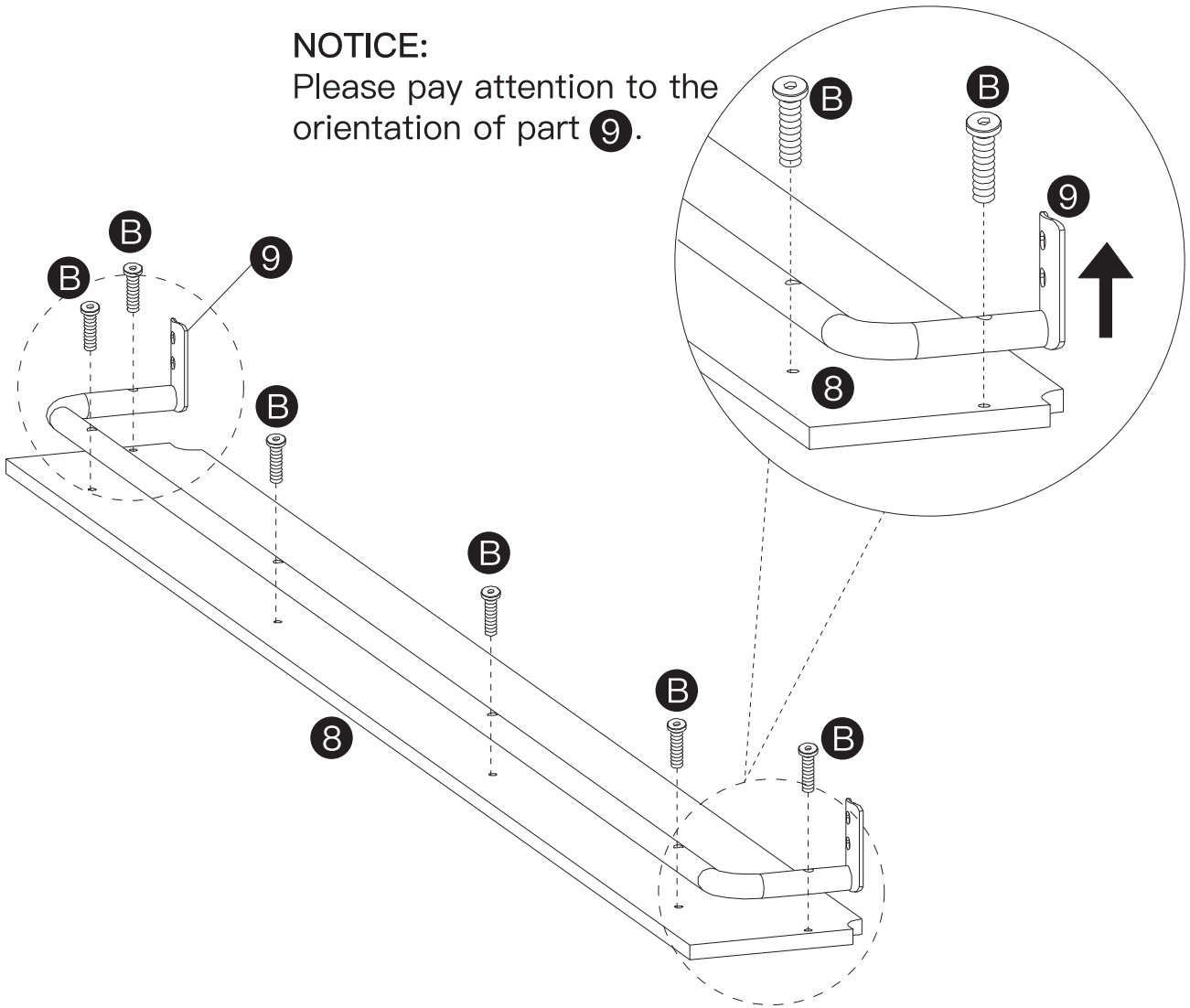


(2) Please pay attention to the orientation of the groove on part **F**.

STEP 3



NOTICE:
Please pay attention to the orientation of part 9.



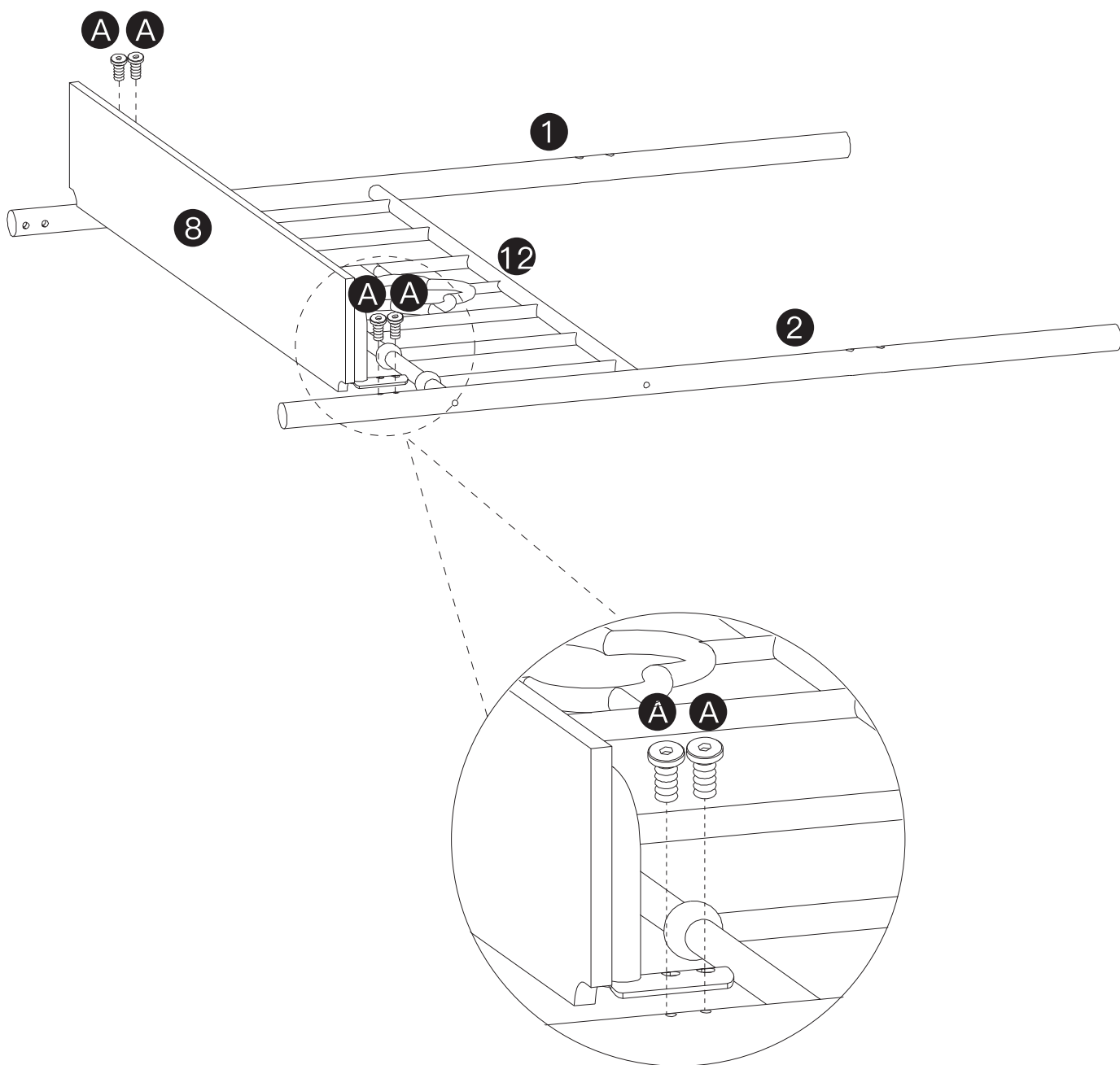
STEP 4

A

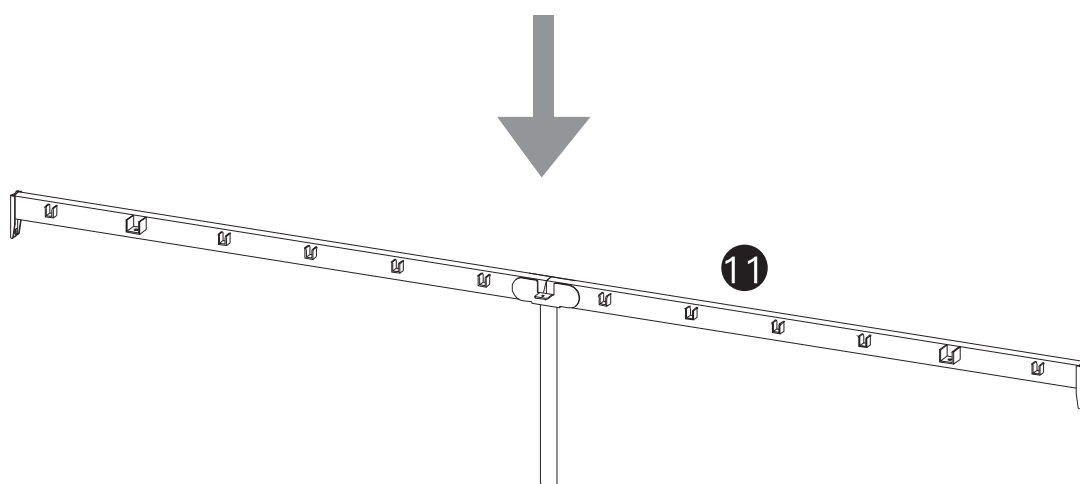
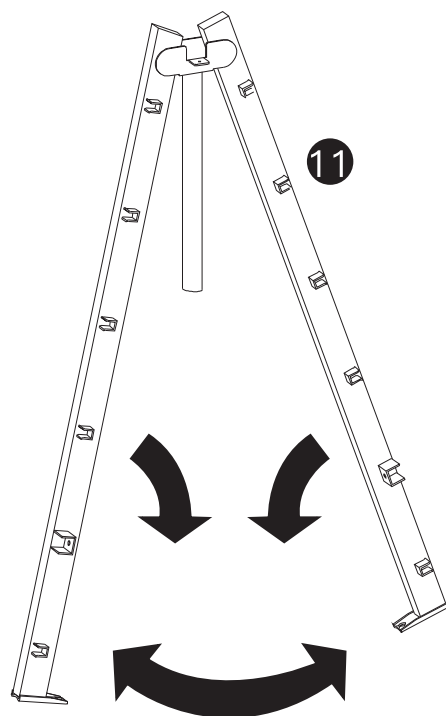
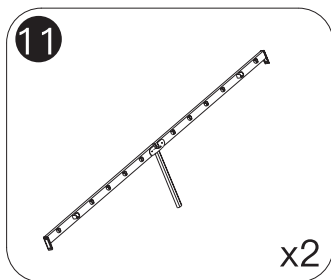


M6x12mm

x4

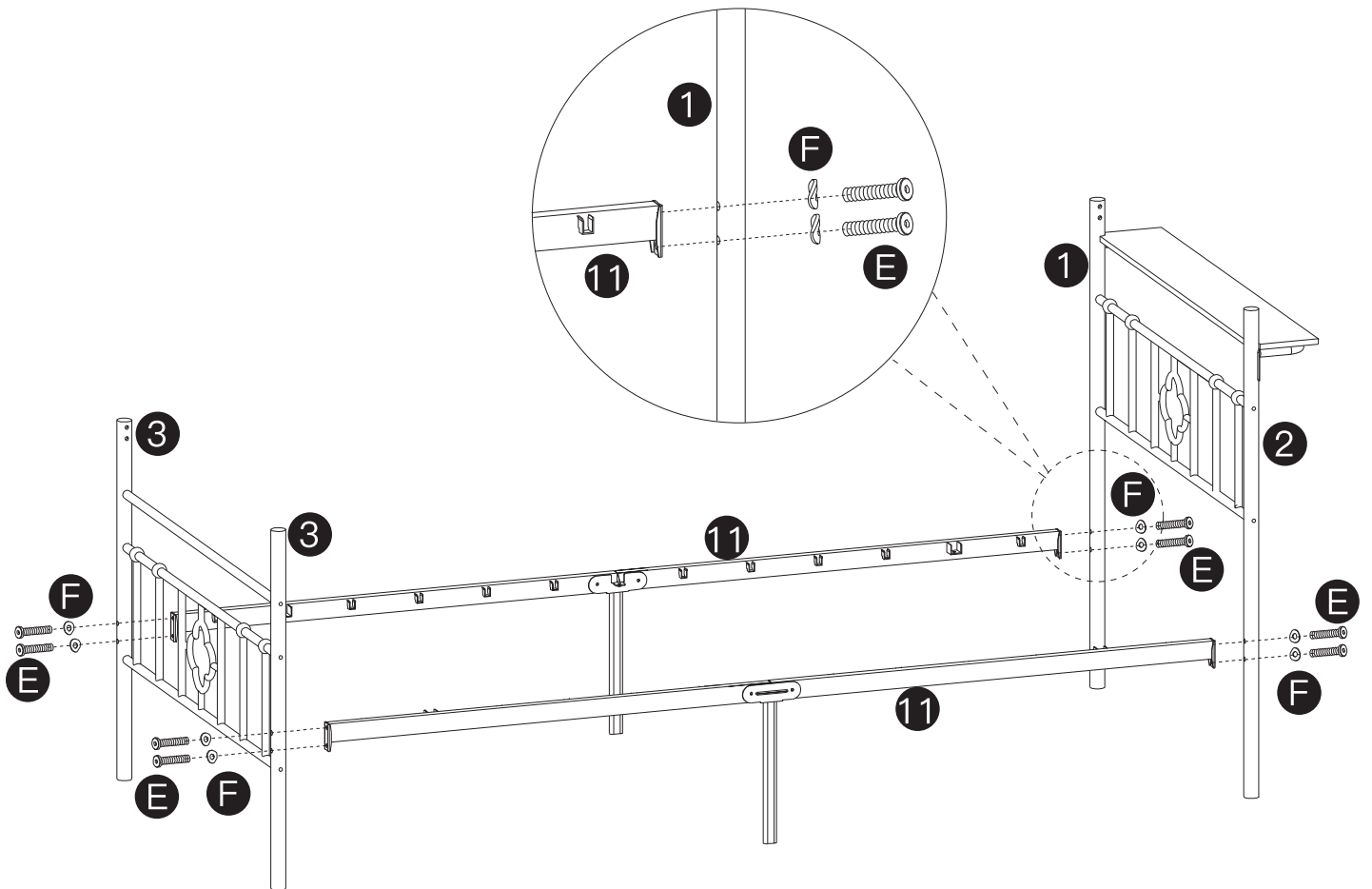
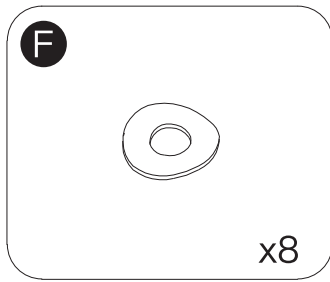
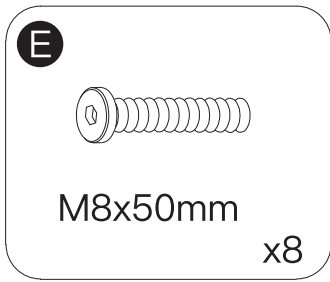


STEP 5

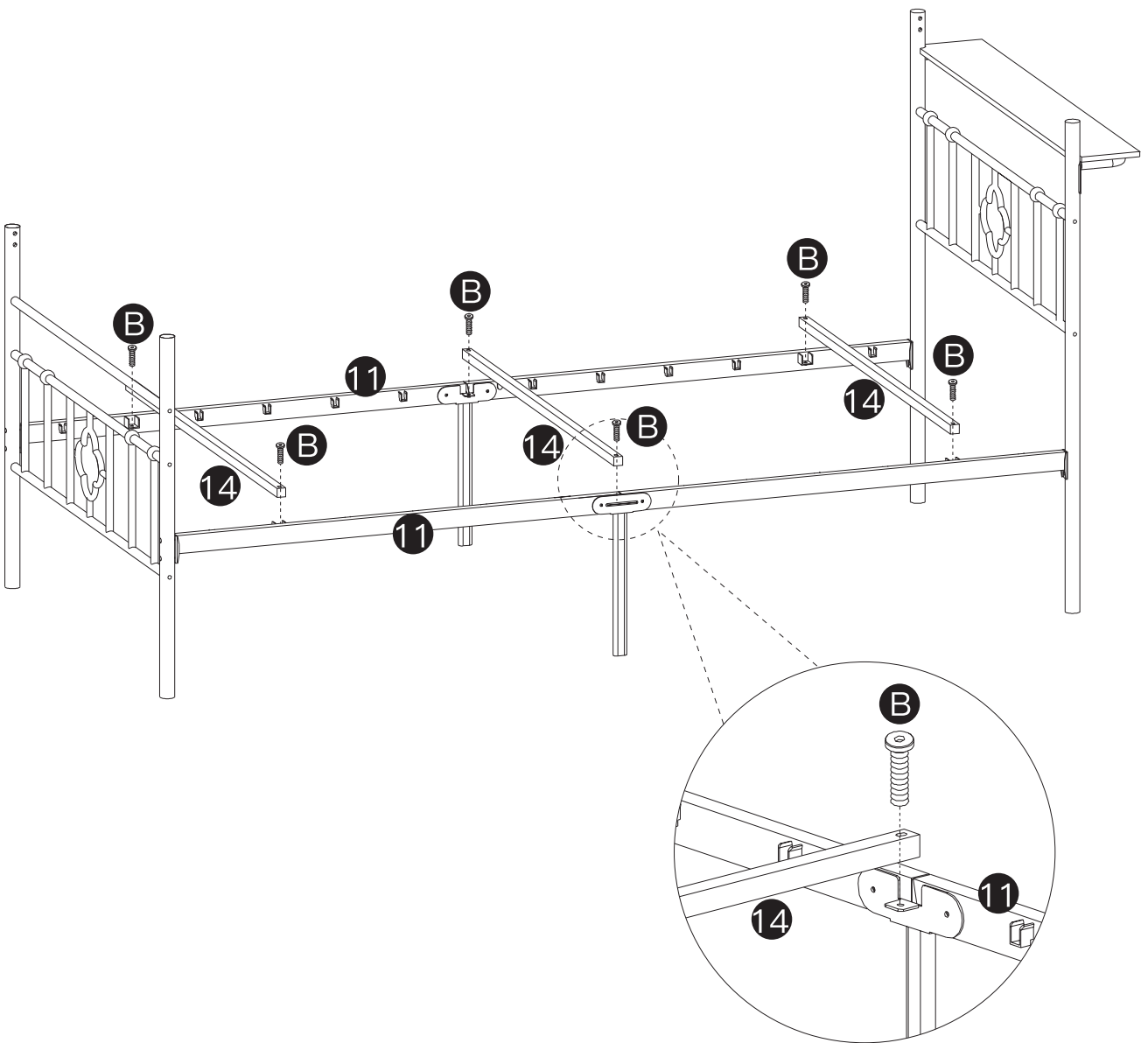
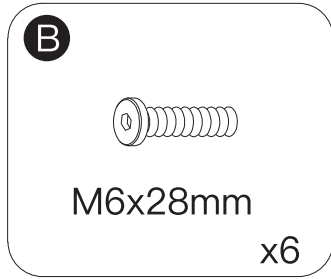
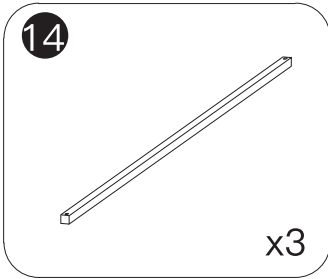


x2

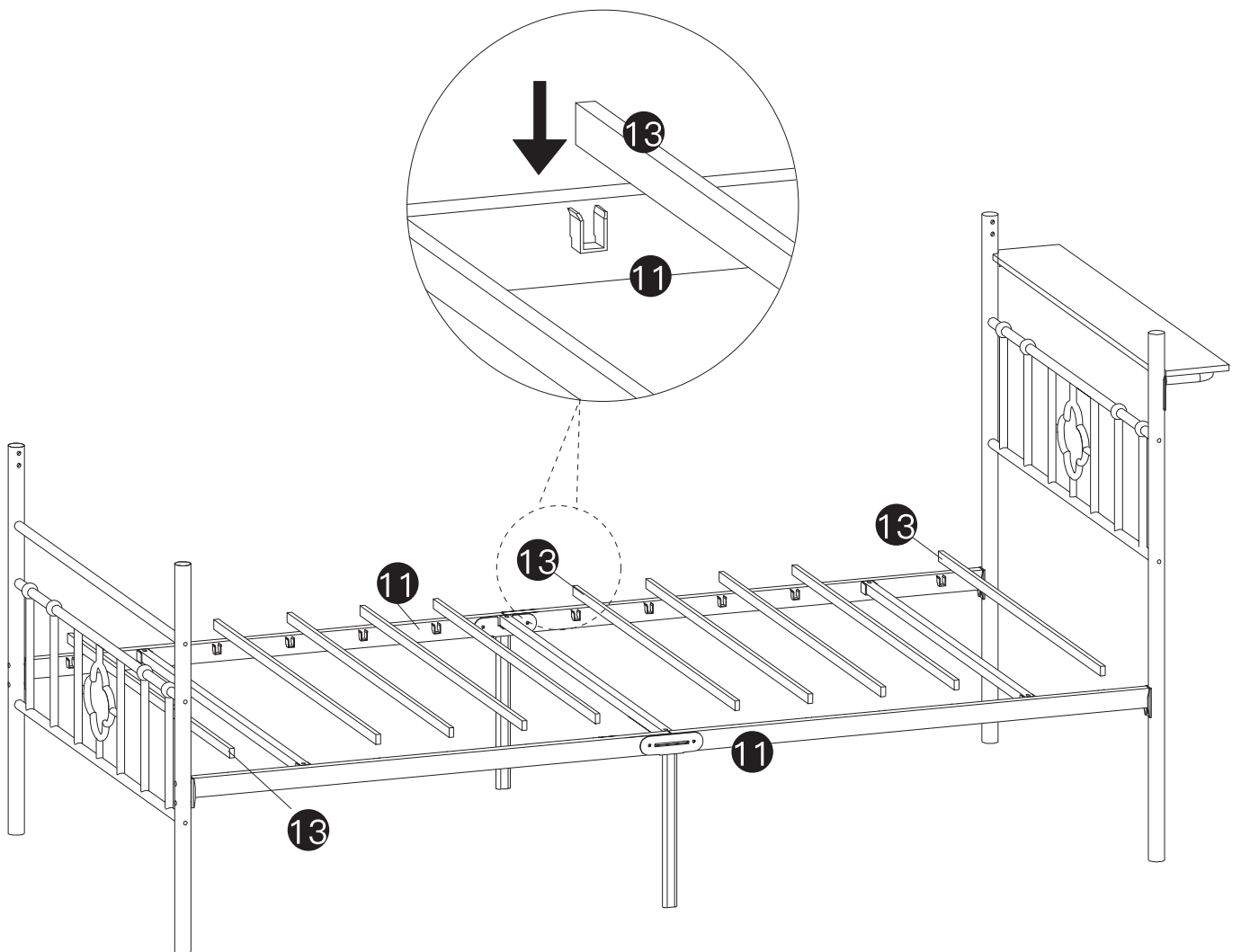
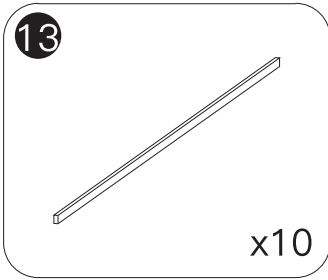
STEP 6



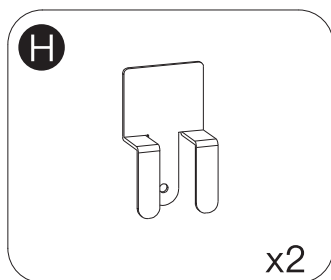
STEP 7



STEP 8

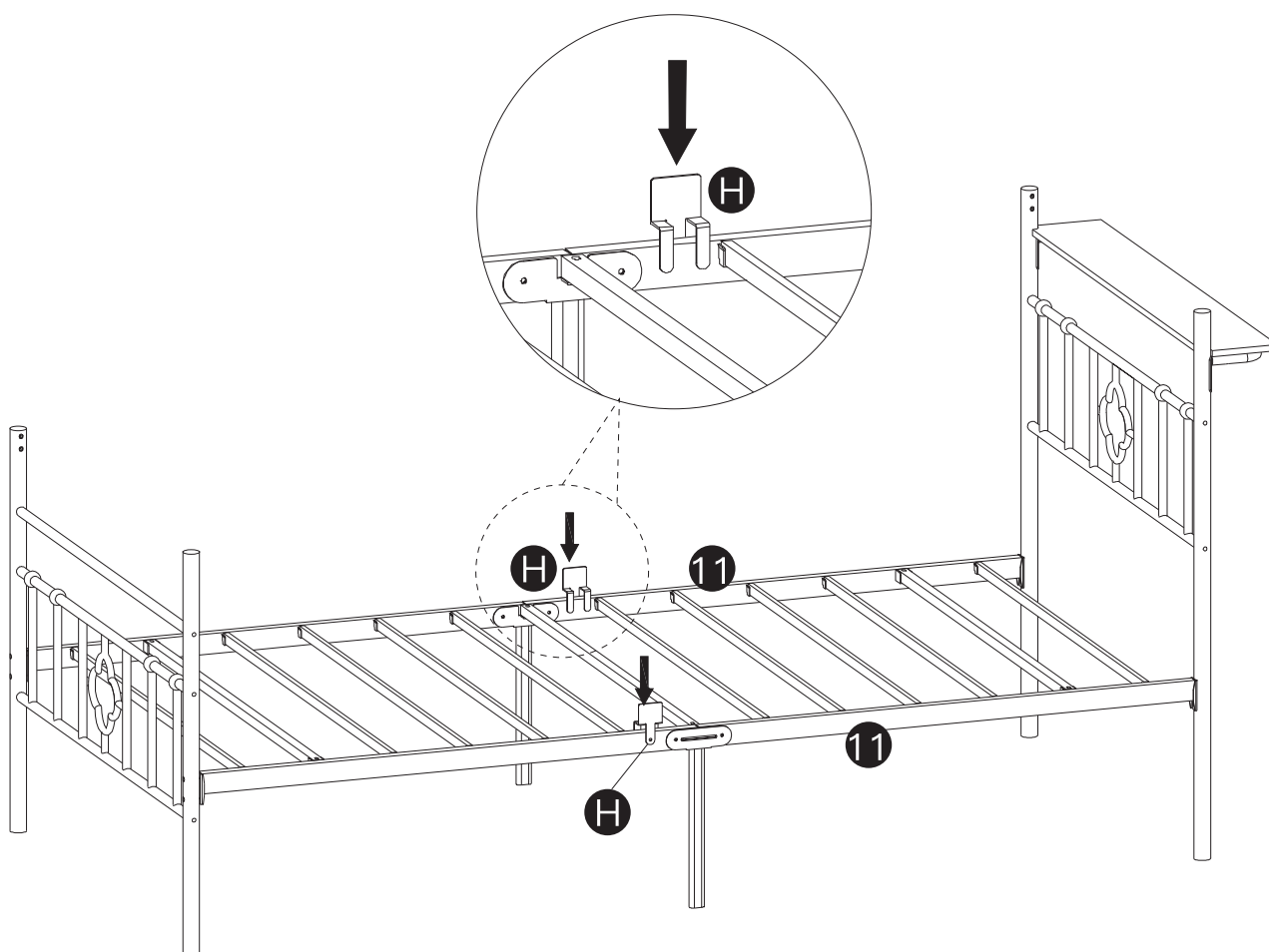


STEP 9

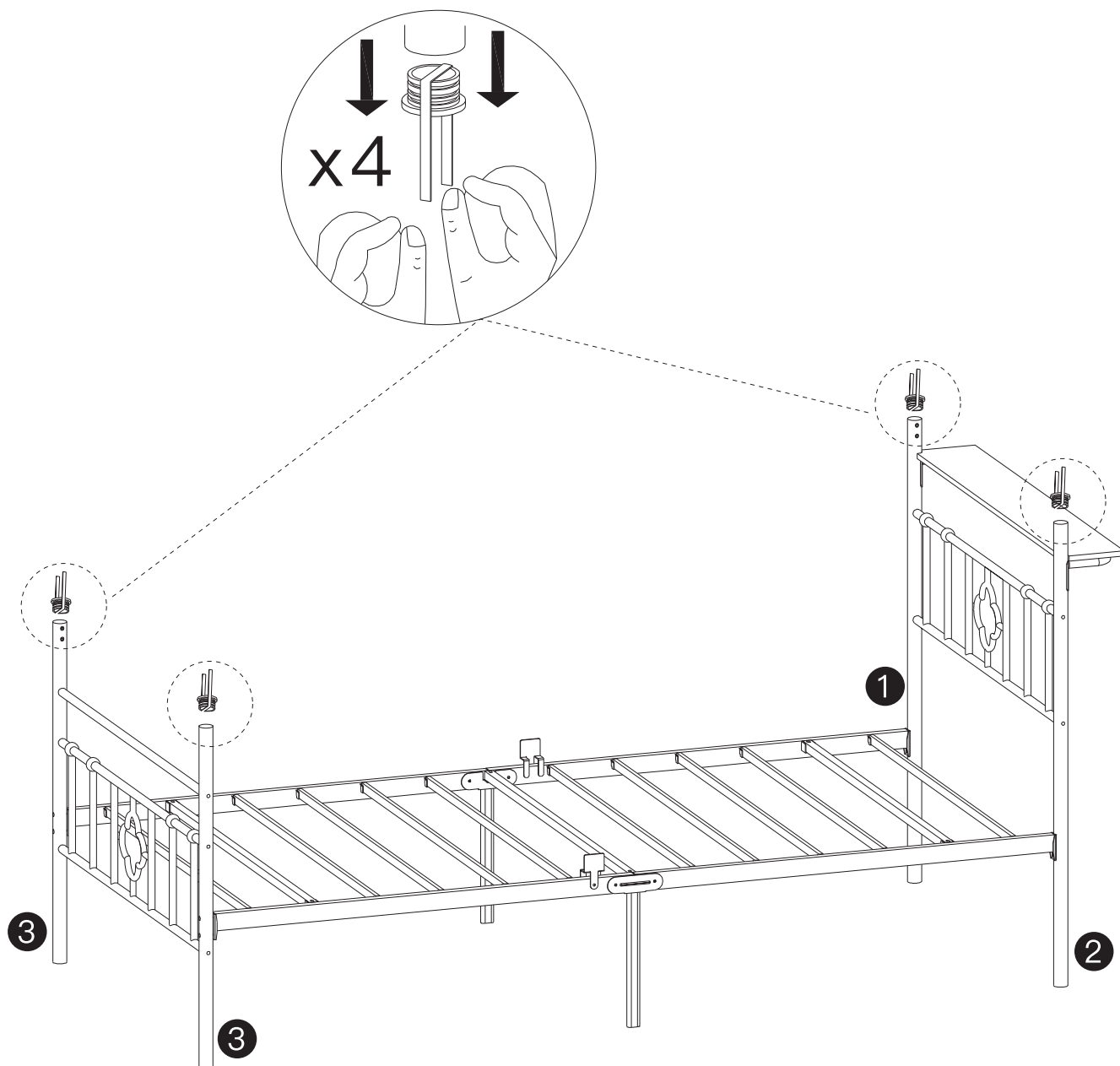


NOTICE:

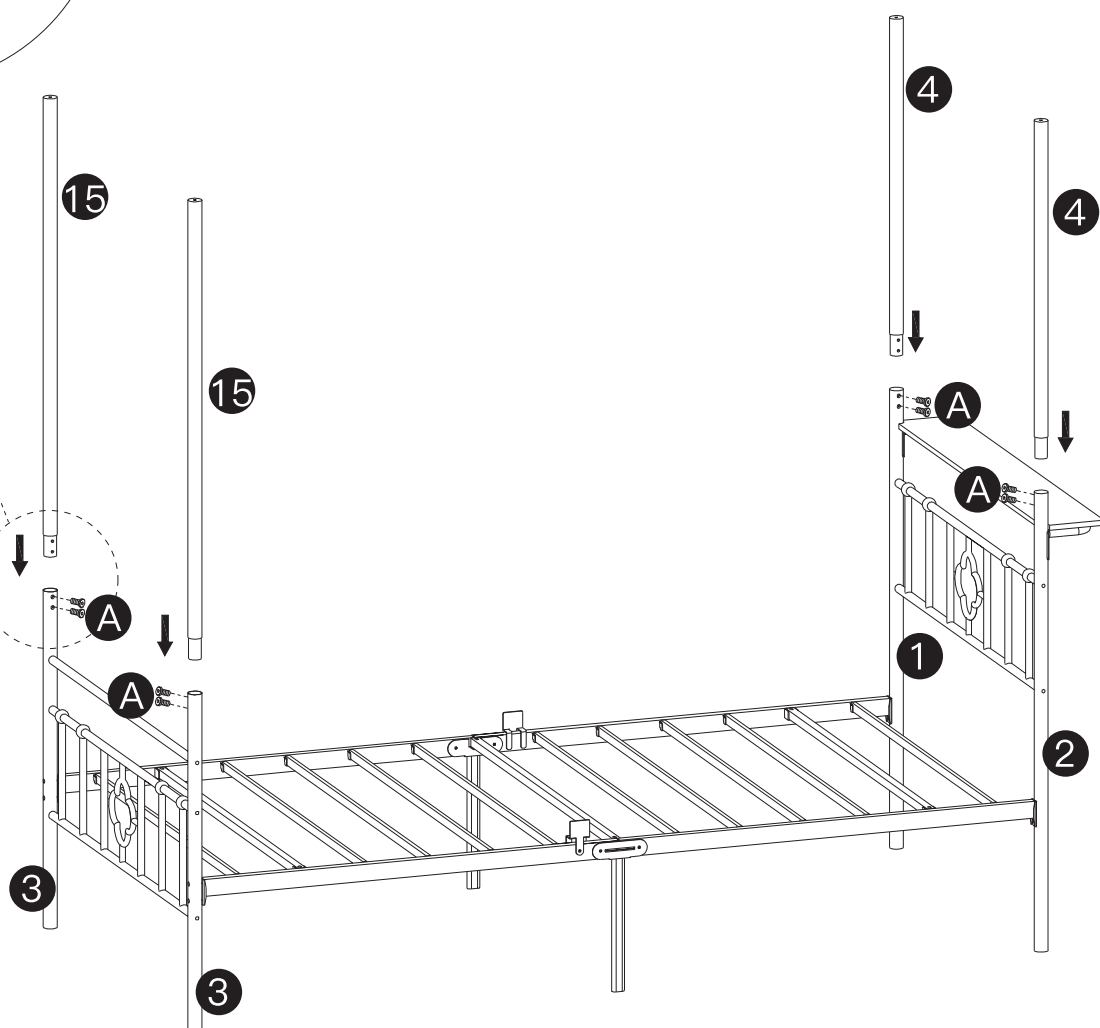
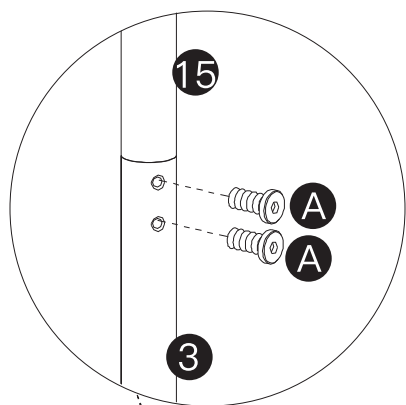
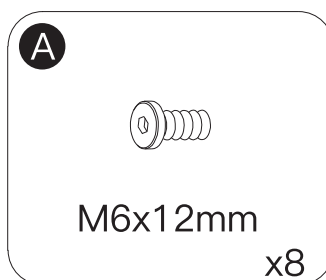
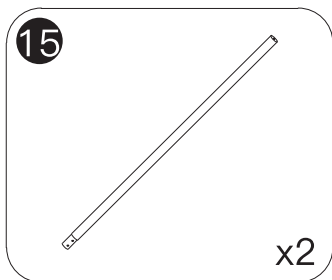
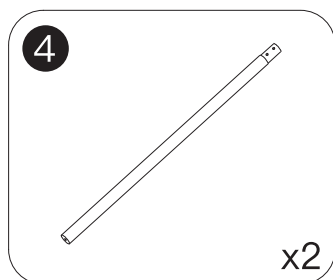
- (1) Please check and tighten all screws.
- (2) If you don't need a canopy, type B has been completed.



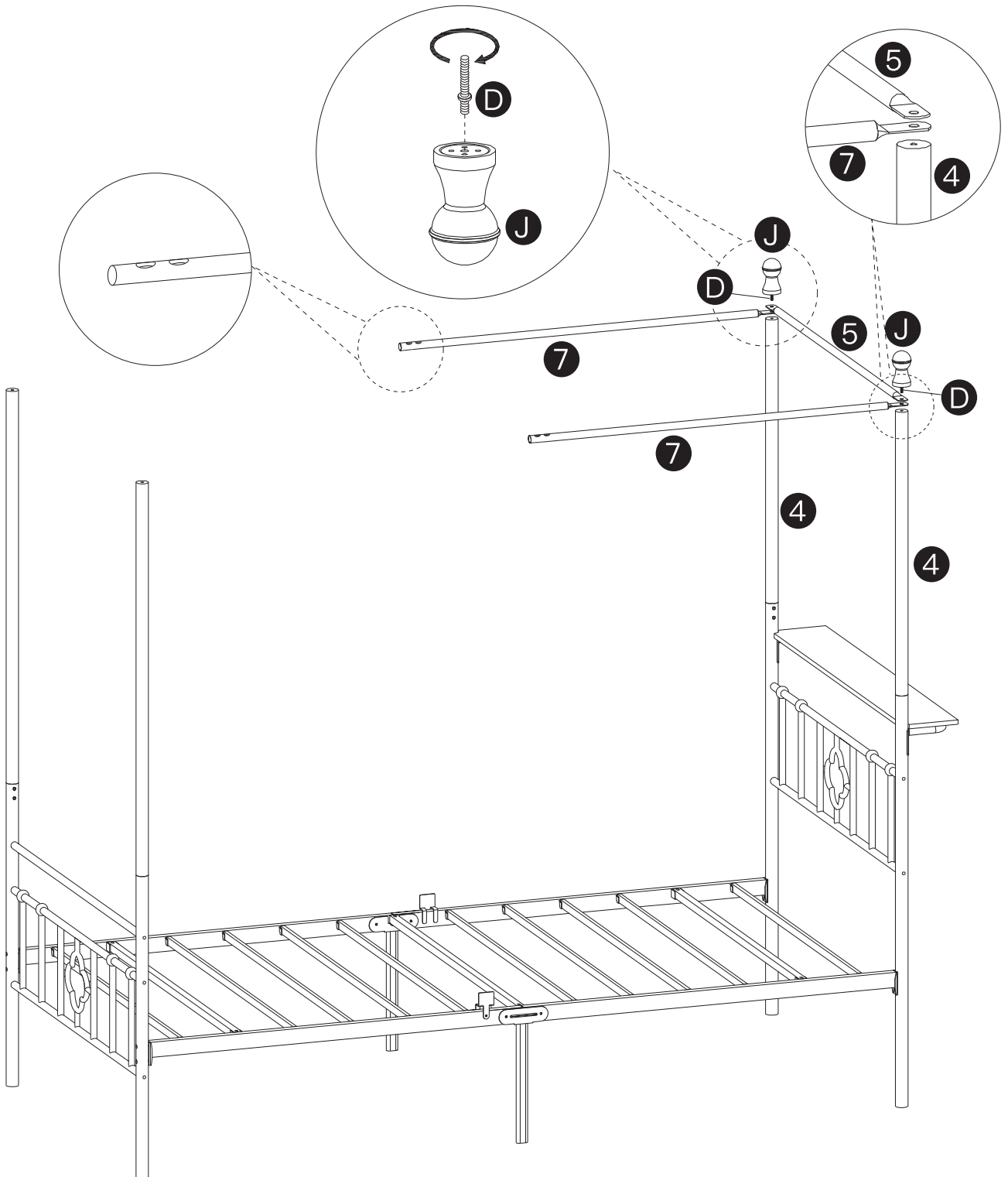
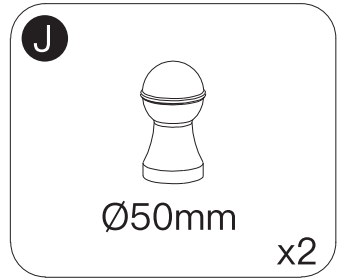
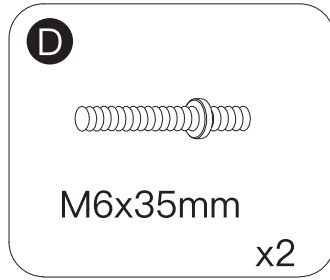
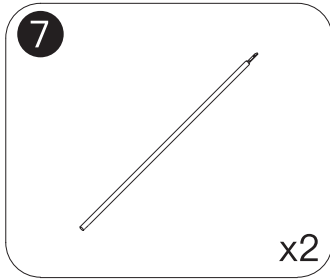
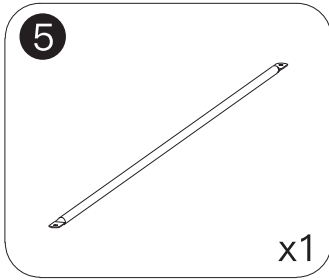
STEP 10



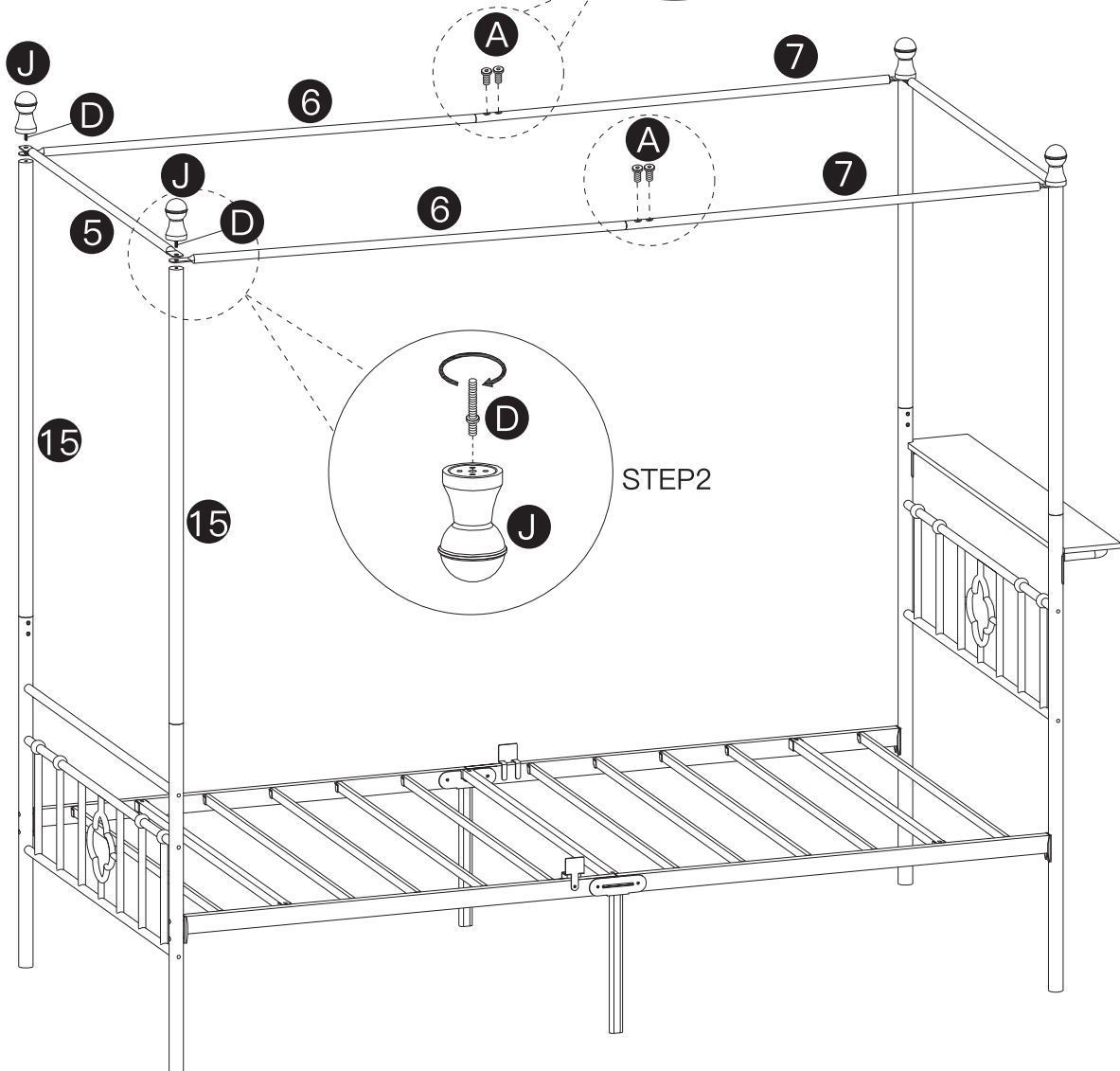
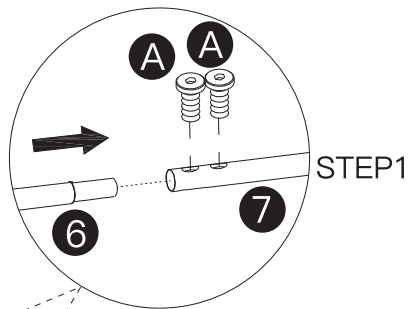
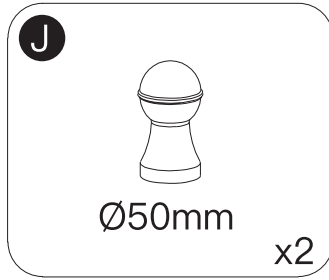
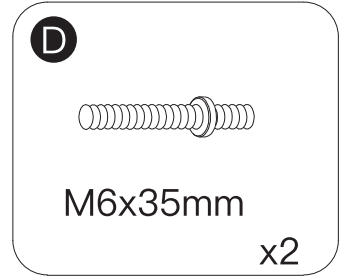
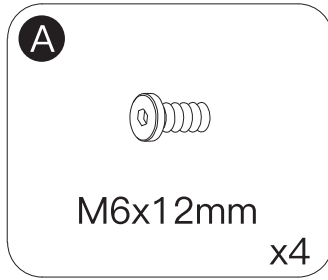
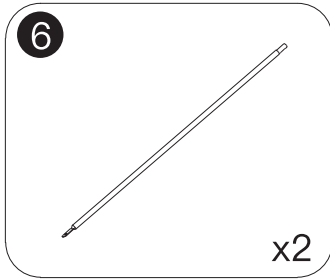
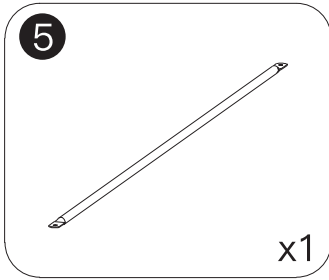
STEP 11



STEP 12

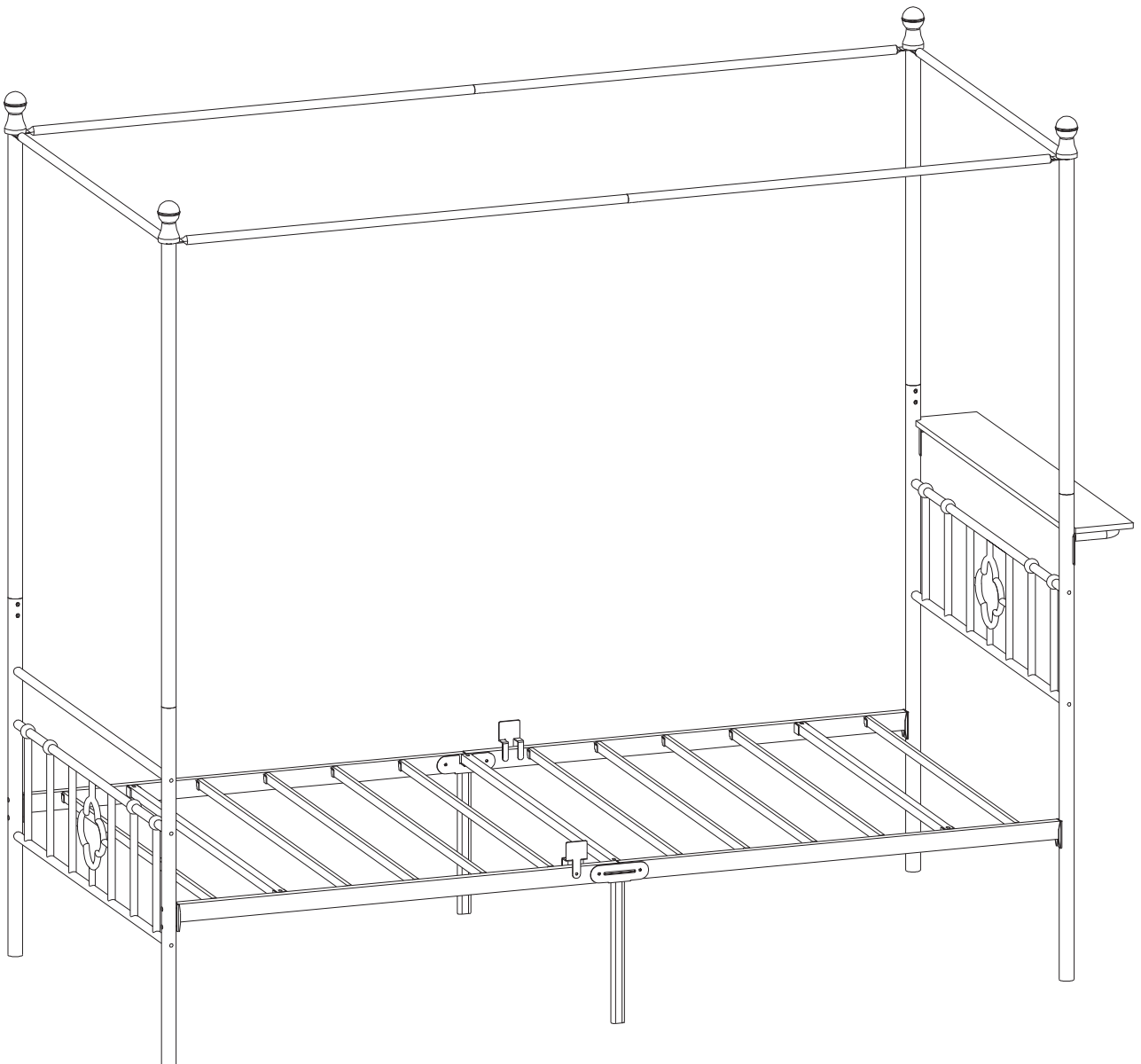


STEP 13



STEP 14

NOTICE:
Please check and tighten all screws.



After-Sale Support

Dear Customer,

Thank you for choosing to purchase our products! We attach great importance to your shopping experience and hope to ensure that you are satisfied with this purchase.

Should you have any questions, please contact us through the original purchase platform. We will reply your messages as soon as possible, please kindly wait for the response from our team.

Thank you again for your understanding and support! If you have any other questions, please feel free to contact us at any time.

Best Regards,
After sales service team