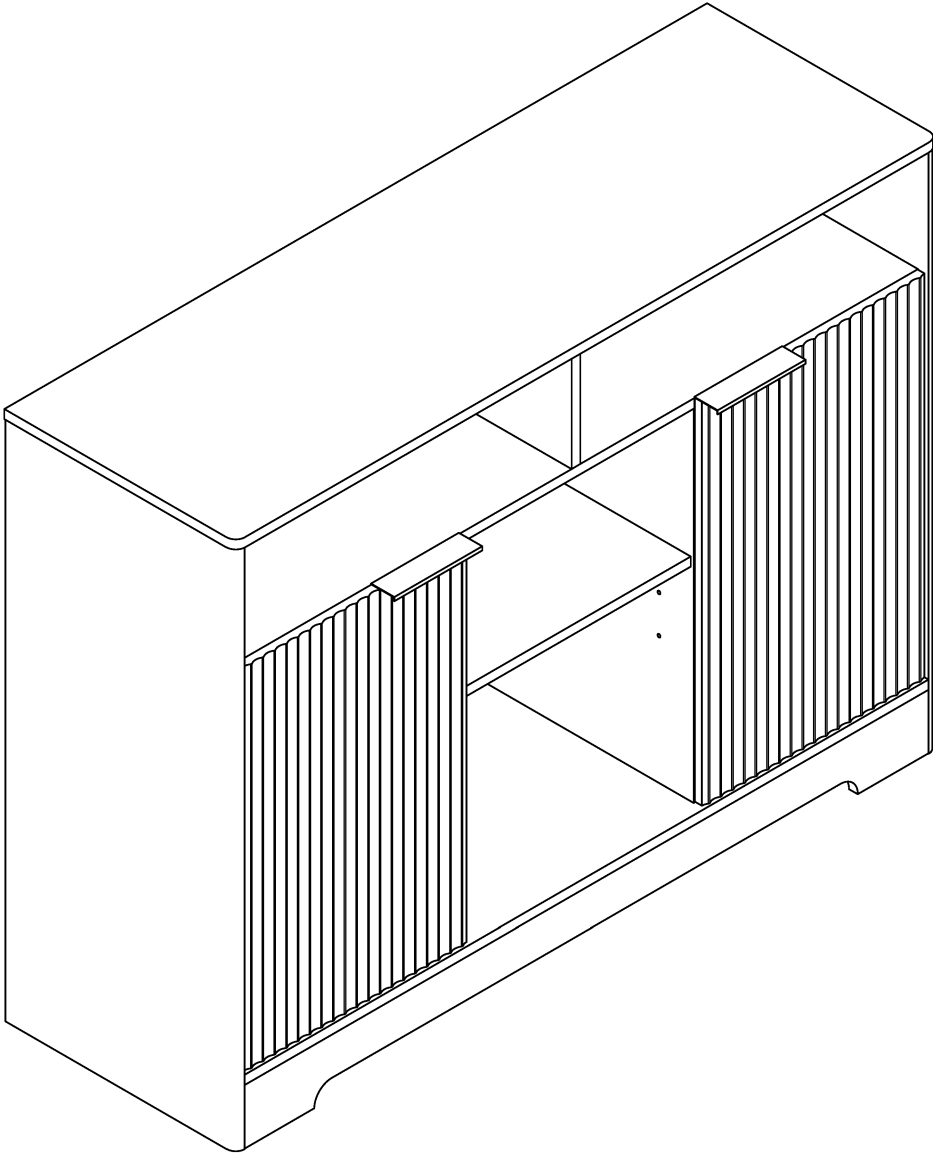


USER'S MANUAL

SIDEBOARD



Guide of Manual

- Thanks for your choice. **We will do our best to provide customer service for everyone.**
- **Please check to make sure all parts are included as stated when you unpack. If there are parts missing or wrong, please contact us, we will expeditiously provide reissue accessories, compensation or other services.**
- **Instruction should be read carefully. But the manual may not cover every detail of all possible situations and steps. Please contact us if further information and help are needed. We will respond in a timely manner.**
- **Please be patient that the other items are on the way if you buy more than one product.**

Warning

- **It's kindly advised to assemble this product on a carpeted floor to protect it from being scratched.**
- **Small parts are included. Please keep the product away from children while assembling. Do not let children play or jump on the product. Do not stand on the item or use as a step ladder.**
- **Please pay attention to the sharp corners during assembly. We recommend the use of gloves to prevent the undesired injury.**
- **Prior to use, please check to see if there's any loosening screw or part. Make sure that each screw and part is correctly installed and securely fastened.**
- **It's unnecessary to use electric drill. Please at a low gear if you need.**

Care and Maintenance

- **Use a soft, clean cloth that will not scratch the surface when dusting.**
- **There's no need to use furniture polish. If you need, test it first in an inconspicuous area. Using solvents of any kind on your furniture may damage the finish. Never use water to clean your furniture as it may cause damage to the finish.**
- **Liquid spills should be removed immediately. Gently blot the spill with a soft clean cloth to avoid rubbing.**

Further Advice about the Furniture Care

- **It is best to keep your furniture in a climate-controlled environment.**
- **We recommend to keep furniture from sunlight exposure to avoid possible surface damage.**
- **Following these important and helpful tips will help retain your furniture's performance even when it ages.**
- **Periodically (every 90 days) make sure the screws are fully tightened.**

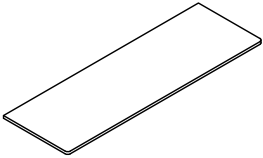
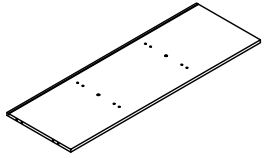
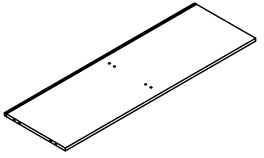
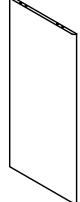
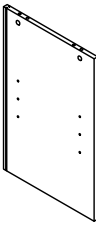

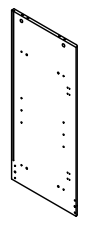
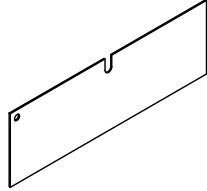
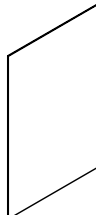
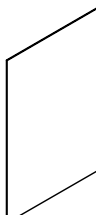
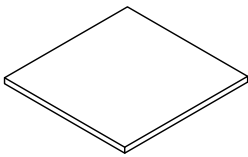
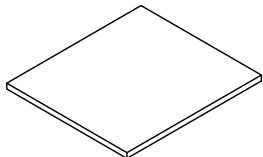
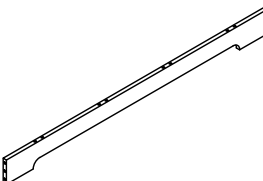
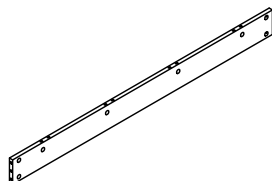
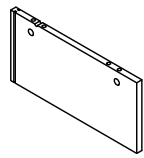
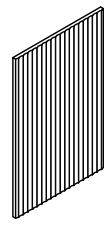
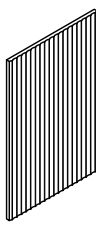
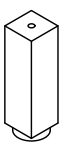
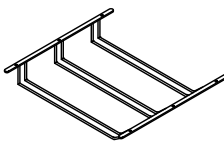
Max Weight Capacity

- **250lbs [Do not stand on the item]**

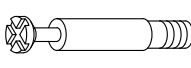
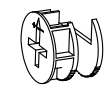

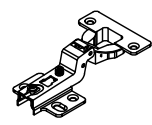
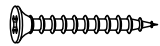


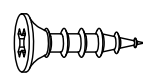

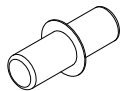
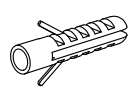
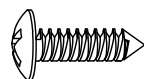
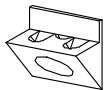
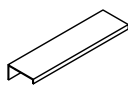


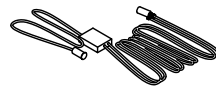
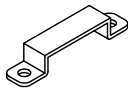
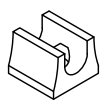
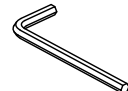
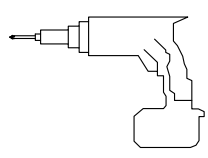
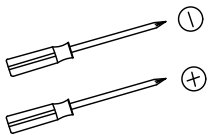
Parts and Hardware List:

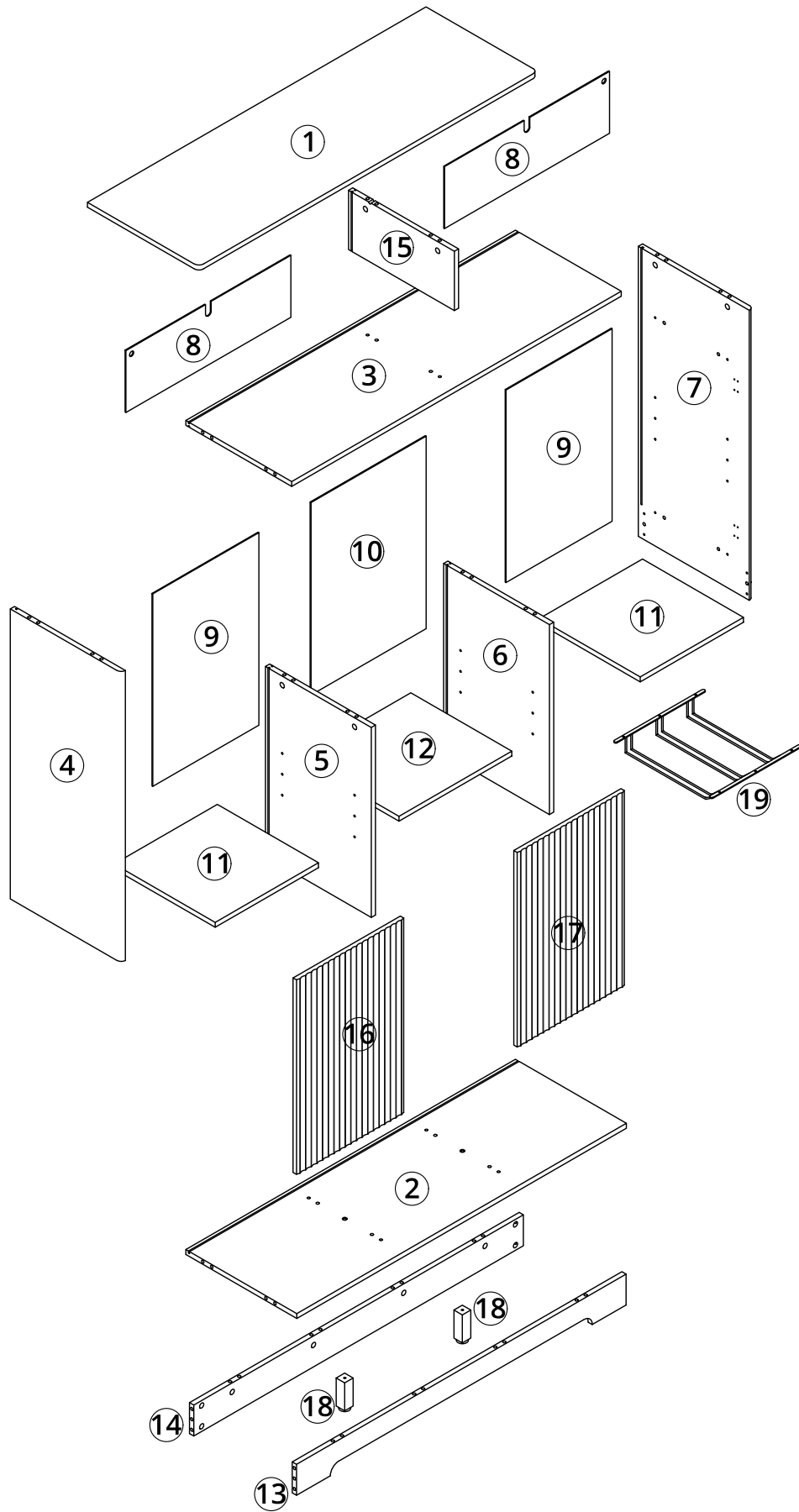
- o Make sure all parts are in the package.
- o "+" below list indicates that additional pieces are replacement parts.

Parts List

<p>① ×1PC Top Panel</p> 	<p>② ×1PC Bottom Panel</p> 	<p>③ ×1PC Middle Shelf Panel</p> 	<p>④ ×1PC Left Side Panel</p> 
<p>⑤ ×1PC Middle(Left) Panel</p> 	<p>⑥ ×1PC Middle(Right) Panel</p> 	<p>⑦ ×1PC Right Side Panel</p> 	<p>⑧ ×2PCS Top Back Panels</p> 
<p>⑨ ×2PCS Lower Back Panels</p> 	<p>⑩ ×1PC Lower Middle Back Panels</p> 	<p>⑪ ×2PCS Side Adjustable Shelf</p> 	<p>⑫ ×1PC Middle Adjustable Shelf</p> 
<p>⑬ ×1PC Front Lower Standing</p> 	<p>⑭ ×1PC Rear Lower Standing</p> 	<p>⑮ ×1PC Upper Vertical Panel</p> 	<p>⑯ ×1PC Front Side Doors</p> 
<p>⑰ ×1PC Front Right Doors</p> 	<p>⑱ ×2PCS Support Legs</p> 	<p>⑲ ×1PC Metal Wine Rack</p> 	

Hardware List

<p>A ×34+3PCS</p>  <p>M6*35mm</p>	<p>B ×34+3PCS</p>  <p>φ15mm</p>	<p>C ×36+3PCS</p>  <p>φ8*30mm</p>	<p>D ×4PCS</p> 	<p>E ×2PCS</p>  <p>M4.0*35mm</p>
<p>F ×2PCS</p>  <p>65*30*15mm</p>	<p>G ×8+1PC</p>  <p>M7*50mm</p>	<p>H ×59+5PCS</p>  <p>M3.5*14mm</p>	<p>I ×34+3PCS</p>  <p>φ20mm</p>	<p>J ×12+1PC</p> 
<p>K ×2PCS</p>  <p>φ8*30mm</p>	<p>L ×2PCS</p>  <p>M4.5*12mm</p>	<p>M ×20+2PC</p> 	<p>N ×2PCS</p>  <p>L=128mm</p>	<p>O ×1PC</p>  <p>L=1150mm</p>
<p>P ×1PC</p>  <p>L=1200mm</p>	<p>Q ×1PC</p>  <p>L=1500mm</p>	<p>R ×2PC</p>  <p>30*6*6mm</p>	<p>S ×1PC</p>  <p>30*20*15mm</p>	<p>S ×1PC</p>  <p>M4</p>
<p>Not provided</p> 	<p>Not provided</p> 			



1



Assemble on a soft surface/mat to avoid scratching the product finish

H	×1	S	×1	F	×2	L	×2	A	×14	C	×14
M3.5*14mm		65*30*15mm		65*30*15mm		M4.5*12mm		M6*35mm		ø8*30mm	

	80%	×	
	100%	✓	

2



Assemble on a soft surface/mat to avoid scratching the product finish

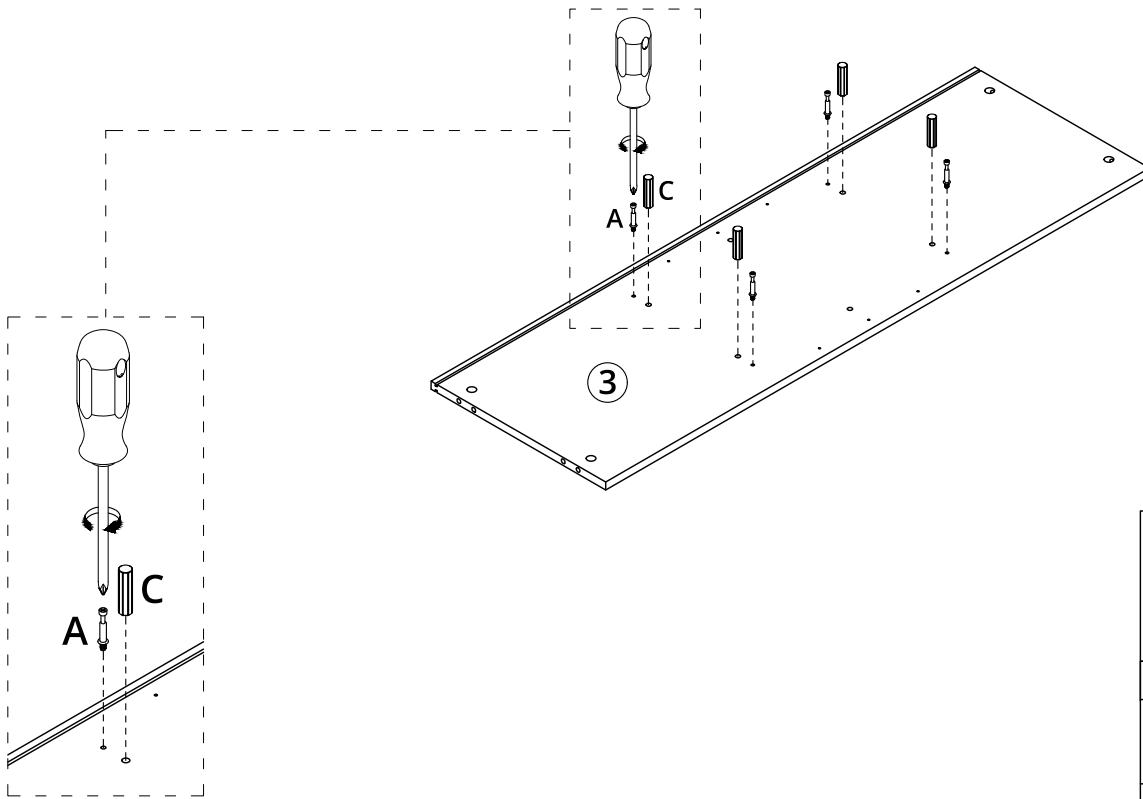
A	×16	C	×12
M6*35mm		ø8*30mm	

	80%	×	
	100%	✓	

3

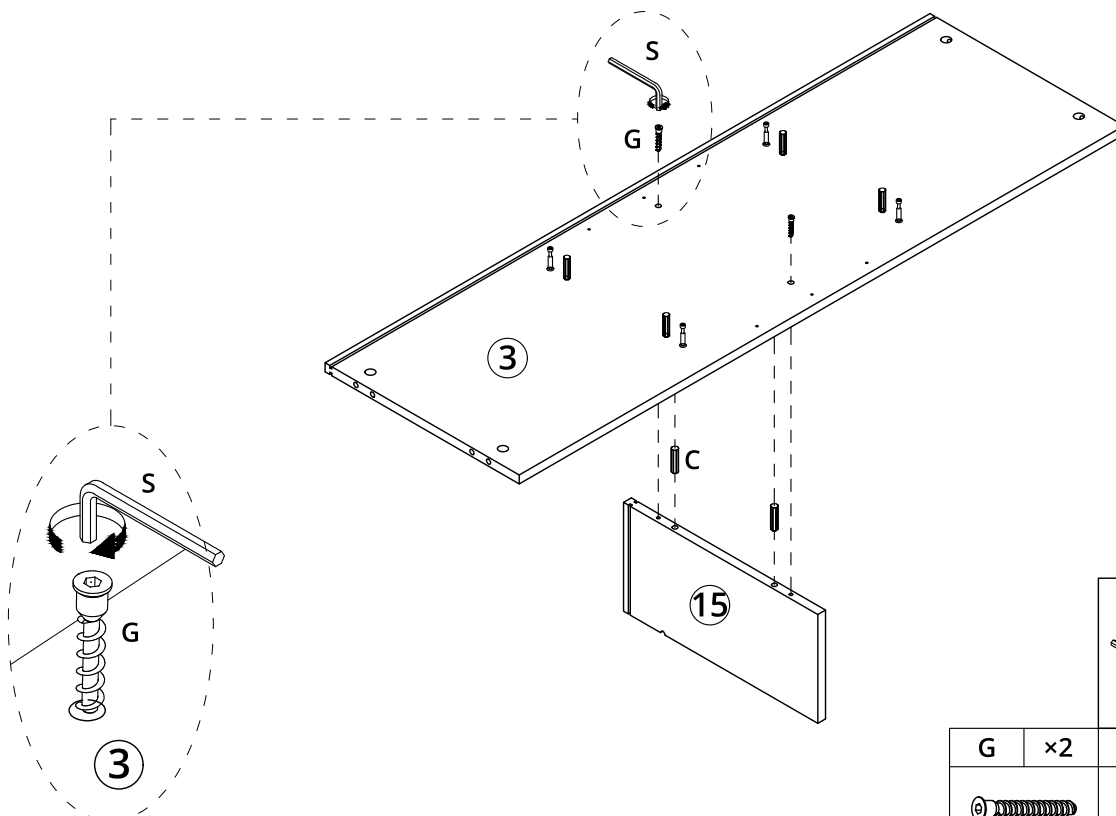


Assemble on a soft surface/mat to avoid scratching the product finish



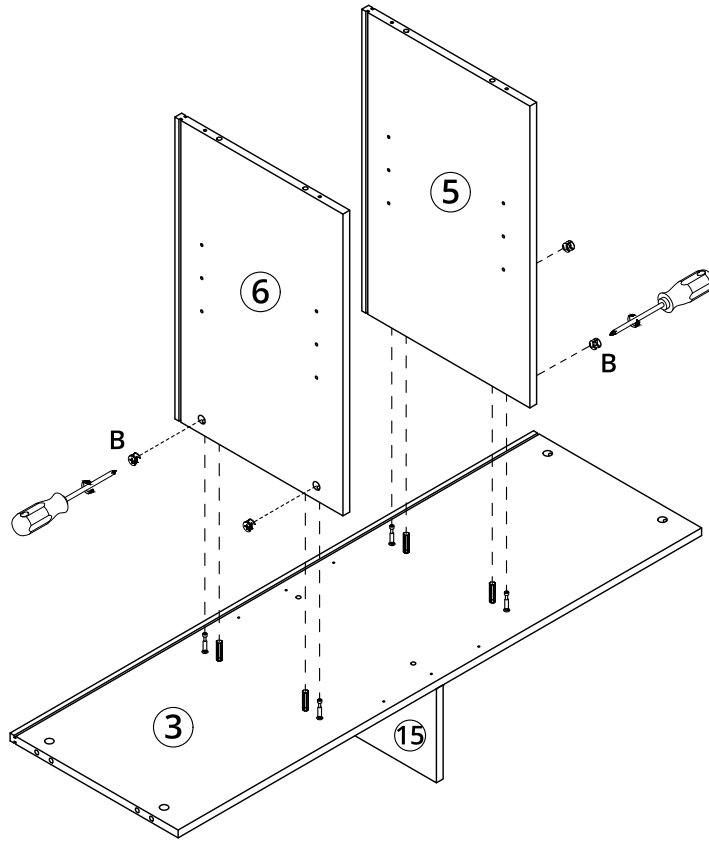
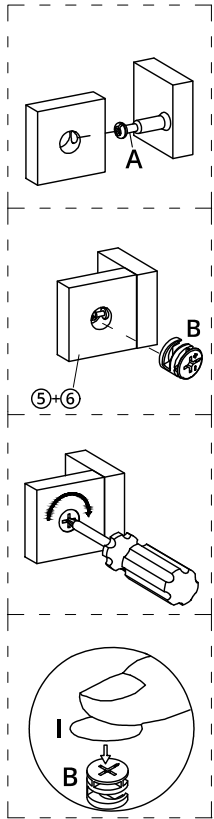
	80%		x	
	100%		√	
A	x4	C	x4	
M6*35mm		ø8*30mm		

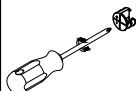




4



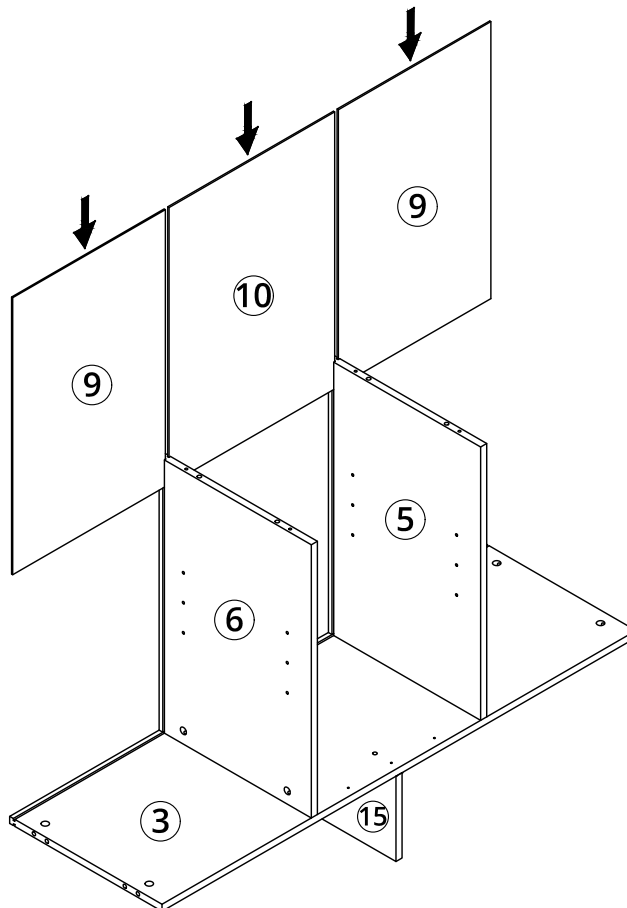
	80%		x		
	100%		√		
G	x2	C	x2	S	x1
M7*50mm		ø8*30mm		M4	

5 Insert Cam Locks B into the pre - drilled holes in the panel ⑤ and ⑥, tighten all of them to 100% and then stick hole covers I onto those holes.

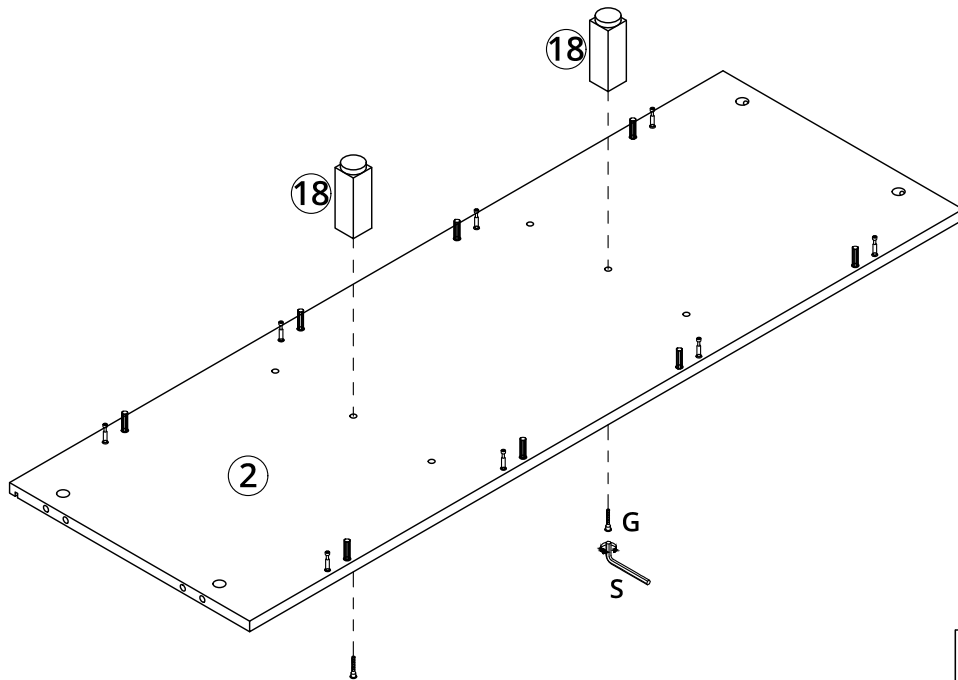


	80%	×	
	100%	√	
I	×4	B	×4
			
			∅15mm

6

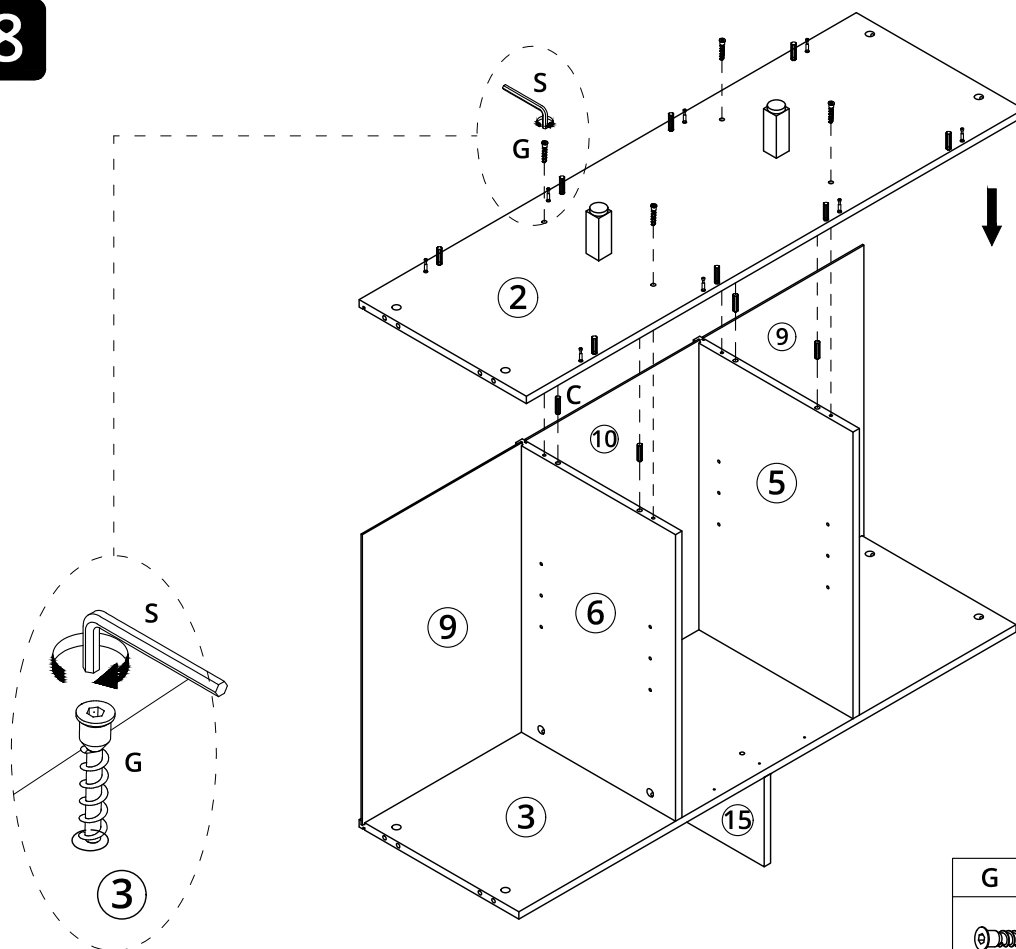


7



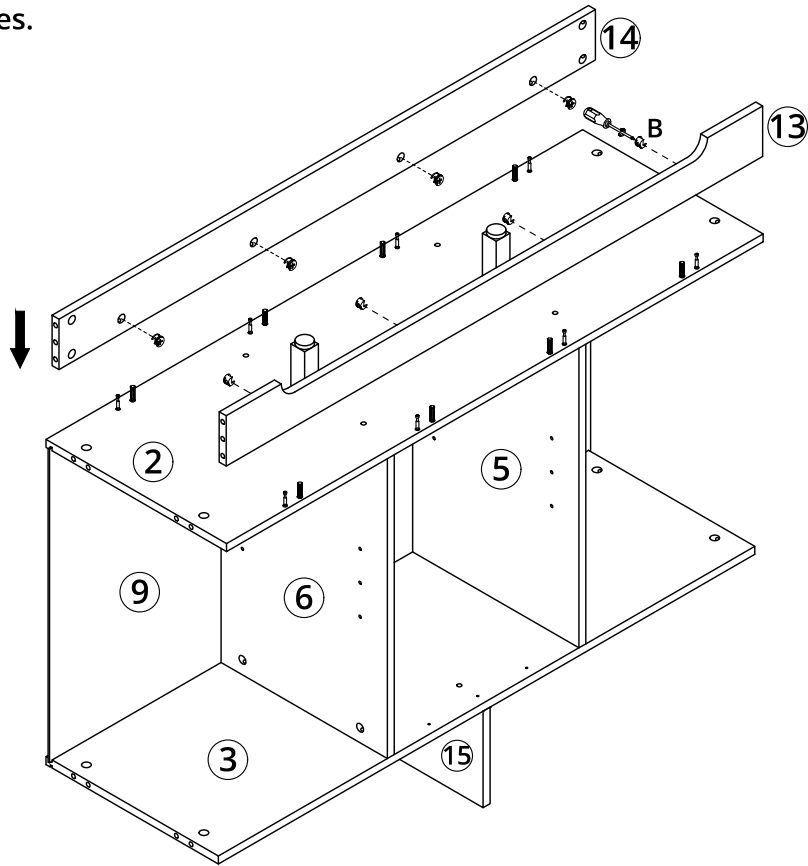
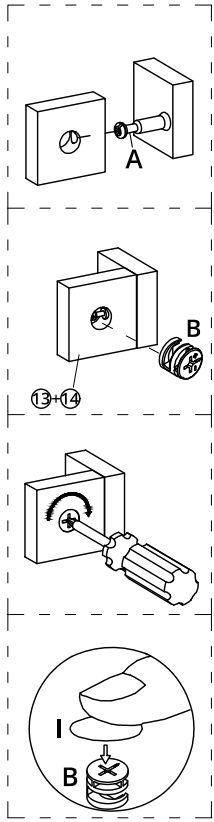
		80%	
		x	
		100%	
		√	
G	x2	S	x1
M7*50mm		M4	

8



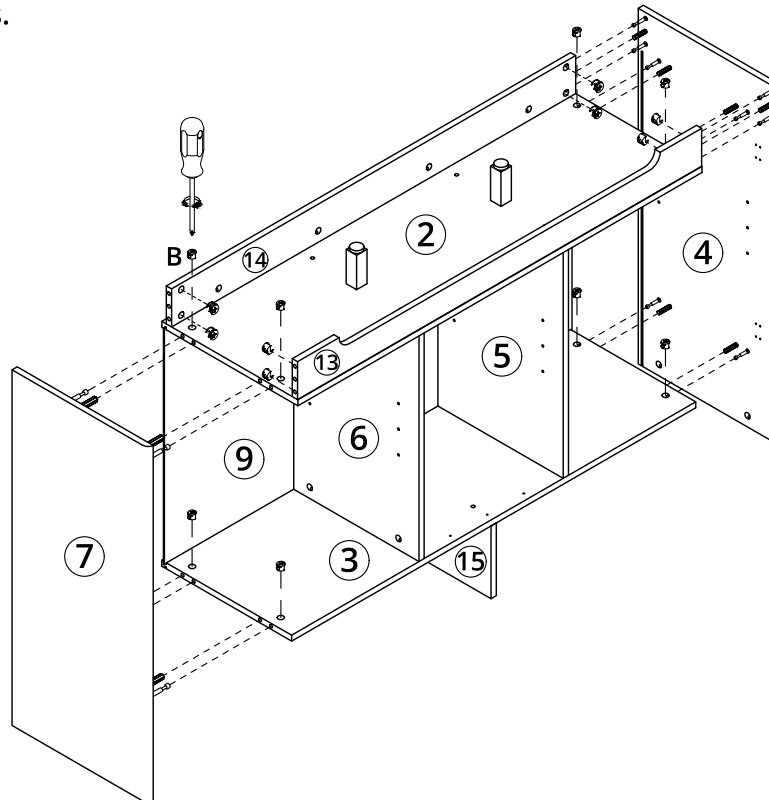
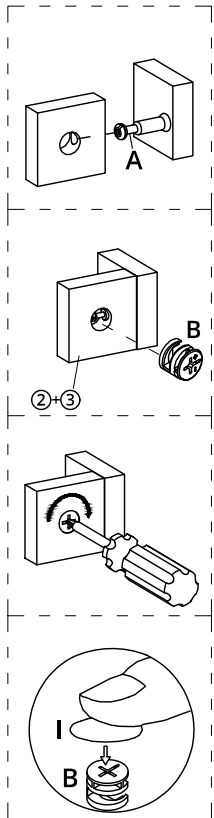
		80%			
		x			
		100%			
		√			
G	x4	C	x4	S	x1
M7*50mm		ø8*30mm		M4	

9 Insert Cam Locks B into the pre - drilled holes in the panel ⑬ and ⑭, tighten all of them to 100% and then stick hole covers I onto those holes.



	80%		
	x		
	100%		
	✓		
I	x8	B	x8
ø15mm			

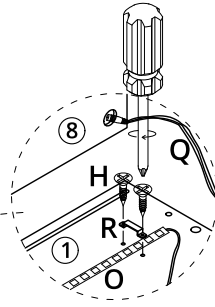
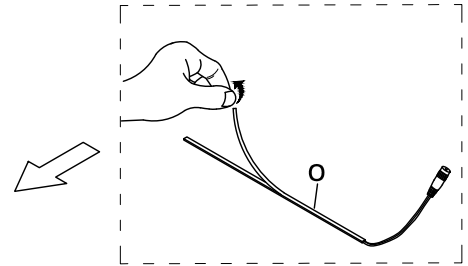
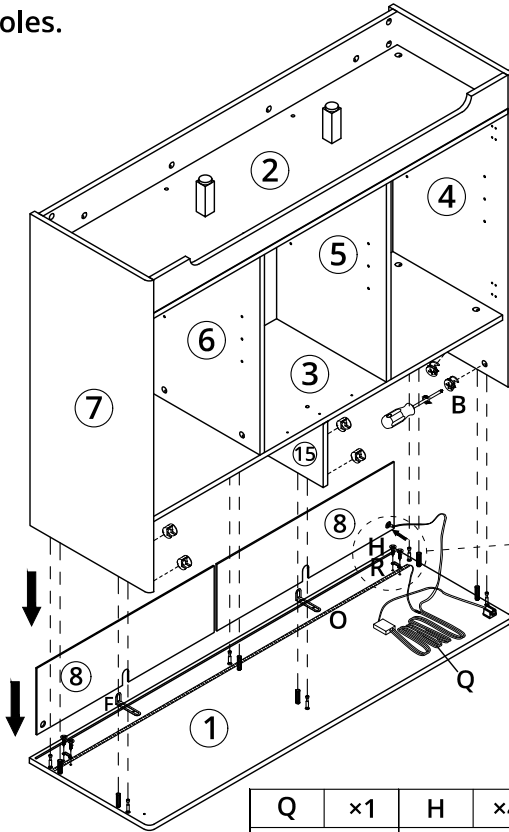
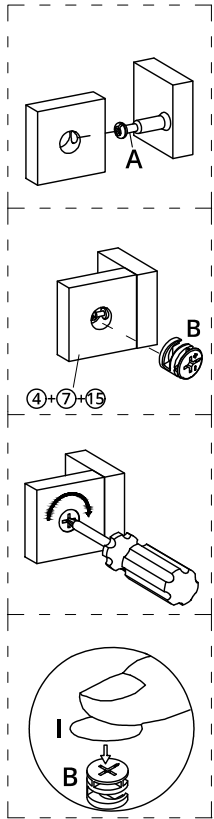
10 Insert Cam Locks B into the pre - drilled holes in the panel ② and ③, tighten all of them to 100% and then stick hole covers I onto those holes.



	80%		
	x		
	100%		
	✓		
I	x16	B	x16
ø15mm			

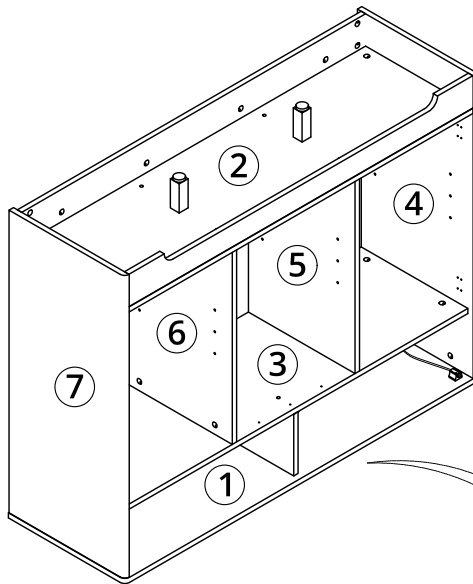
11

Insert Cam Locks B into the pre - drilled holes in the panel ④, ⑦ and ⑮, tighten all of them to 100% and then stick hole covers I onto those holes.

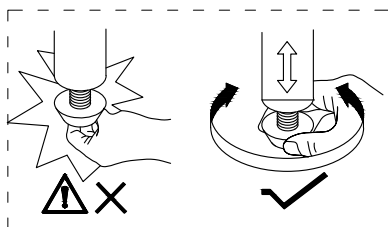
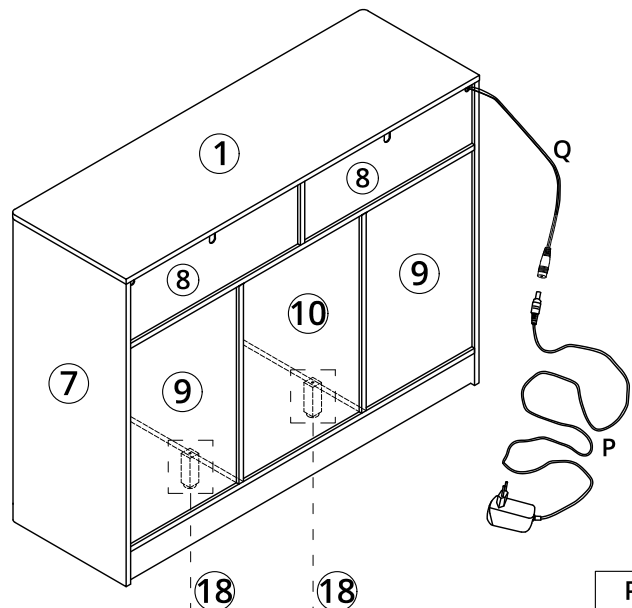


	80%	x									
	100%	✓									
	80%	x									
	100%	✓									
Q	x1	H	x4	R	x2	O	x1	I	x6	B	x6
L=1500mm	M3.5*14mm			30*6*6mm		L=1150mm					∅15mm

12



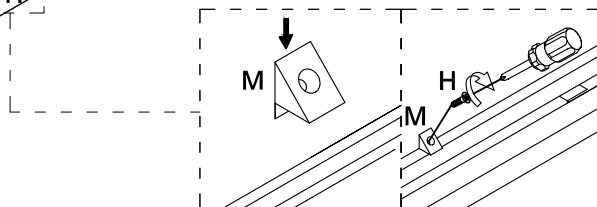
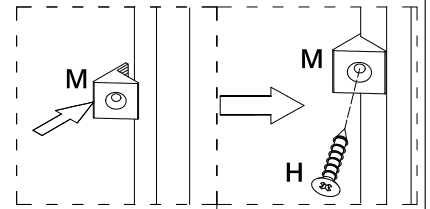
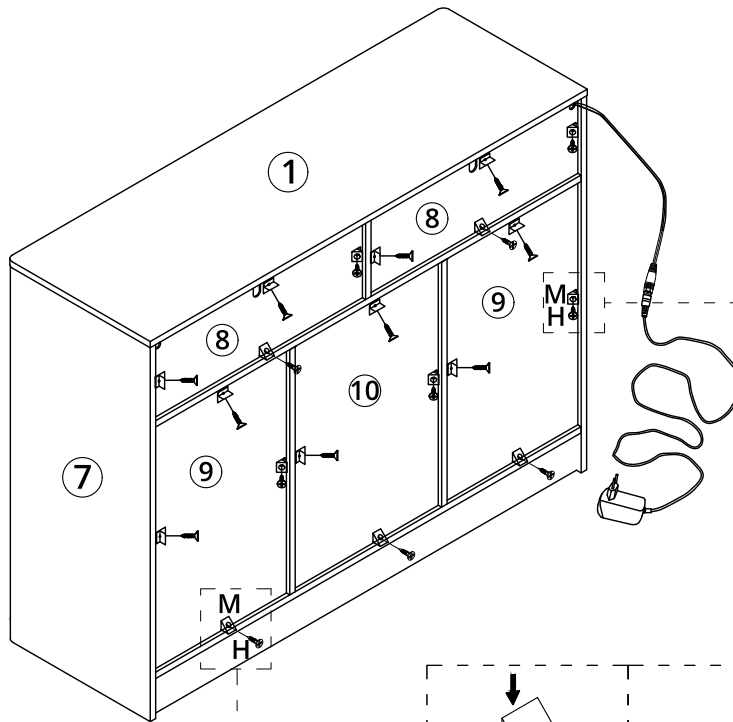
180°



P	x1
	L=1150mm

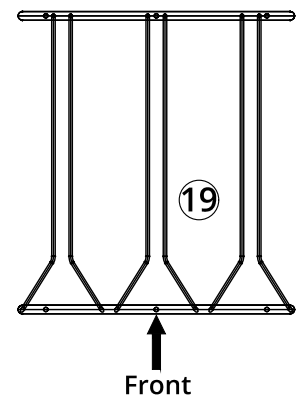
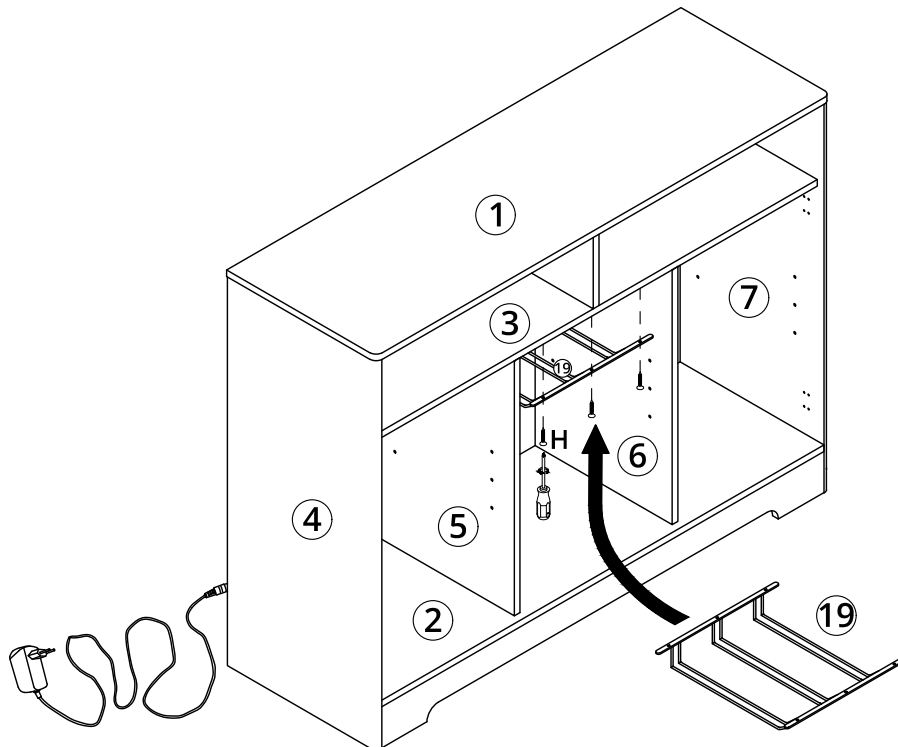
13

Locate the 12pcs bracket L and position them on the back side of the cabinet, use a screwdriver to tighten the screws H securely.



	80%		x	80%	
	100%		✓	100%	
H	x20	M	x20		
M3.5*14mm					

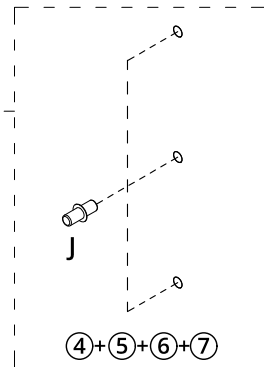
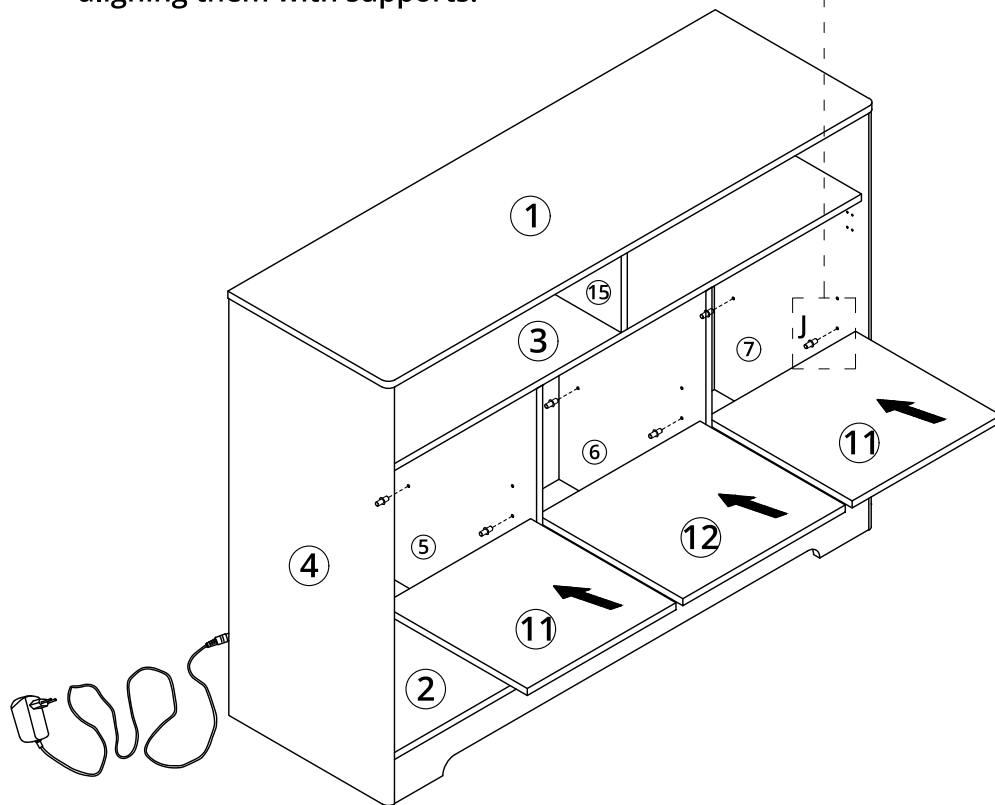
14




	80%		H	x6
	100%			
	✓			M3.5*14mm

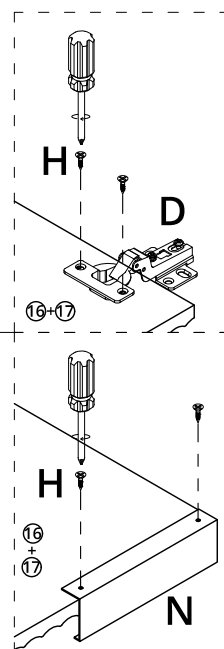
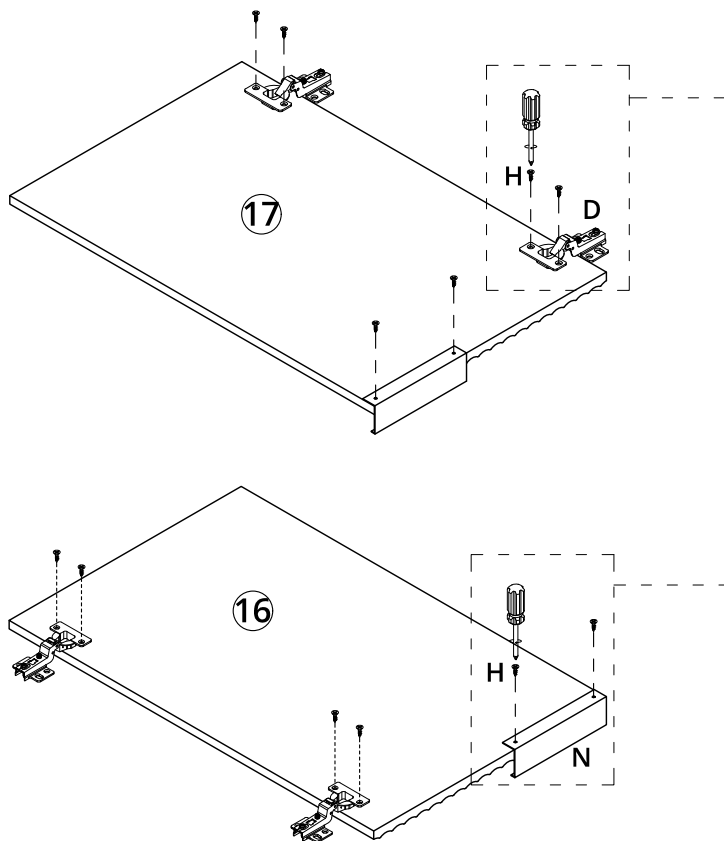
15

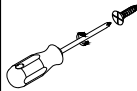


Insert the shelf pin **J** into the holes at your desired height, place the shelf panel **11** and **12** onto the pins, aligning them with supports.






J	×12
	

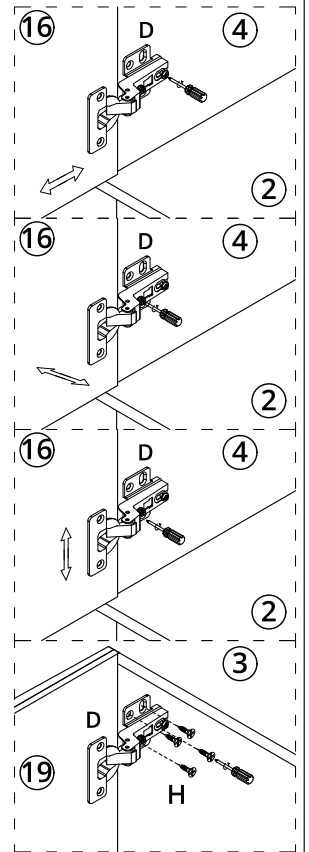
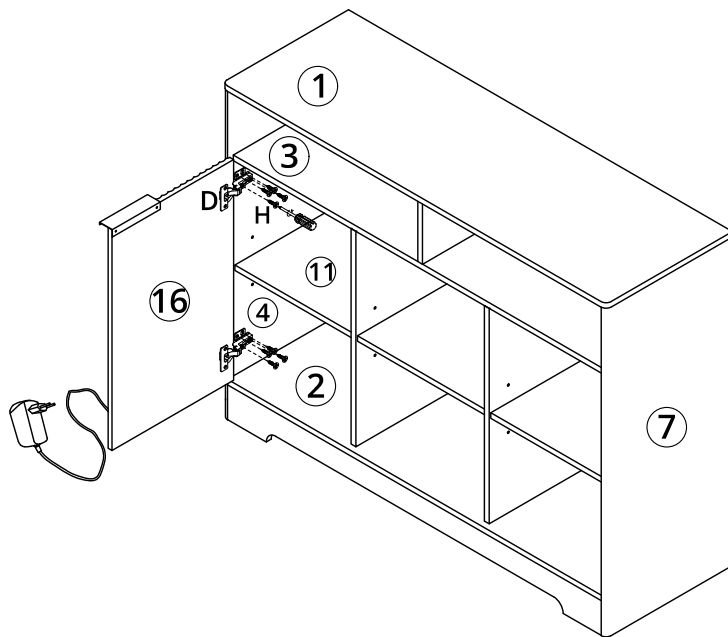
16



	80%	×	
	100%	√	

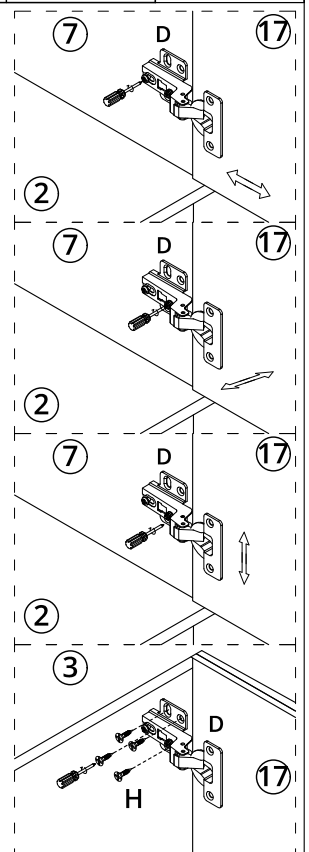
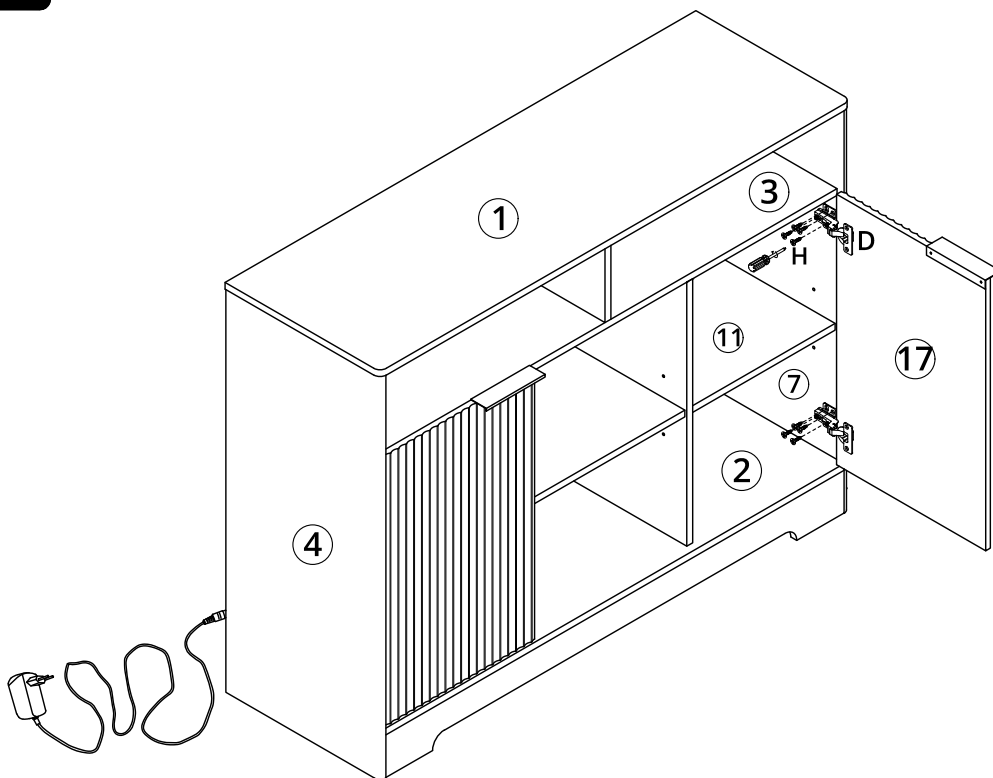
N	×2	D	×4	H	×12
					
L=128mm				M3.5*14mm	

17



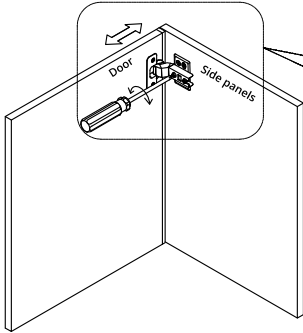
	80%		H	×8
	x			
	100%			
✓			M3.5*14mm	

18

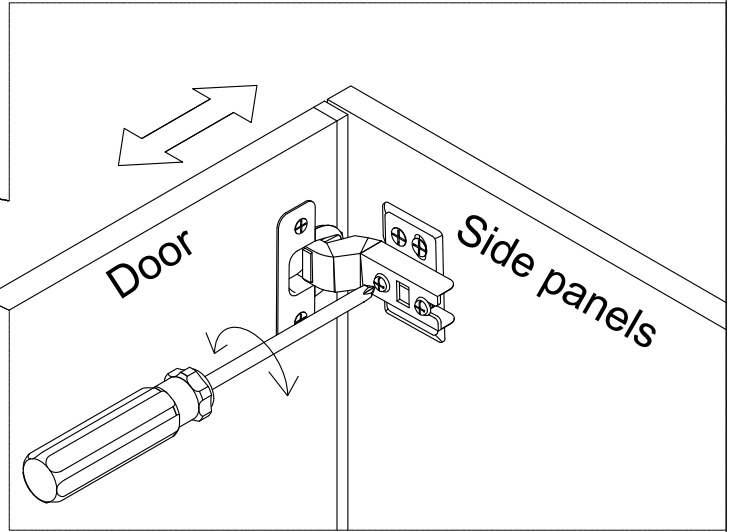


	80%		H	×8
	x			
	100%			
✓			M3.5*14mm	

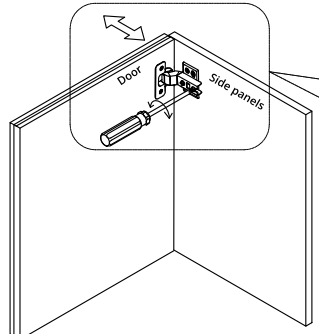
Concealed hinges are three-way adjustable:



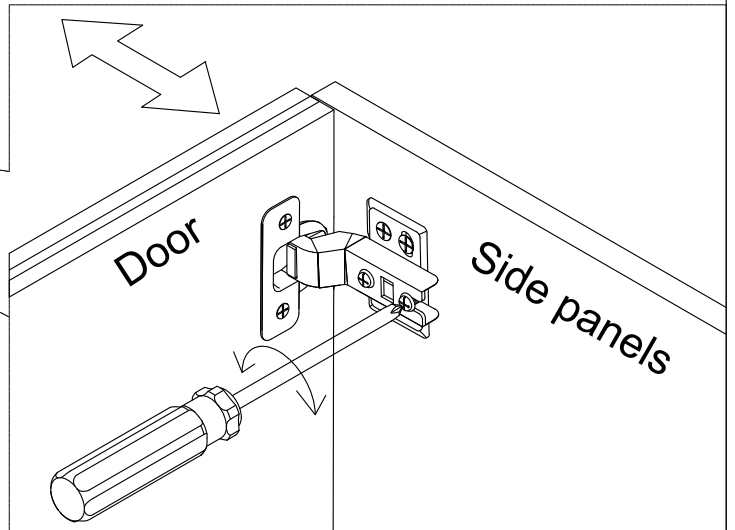
Horizontal
by screw adjustment!



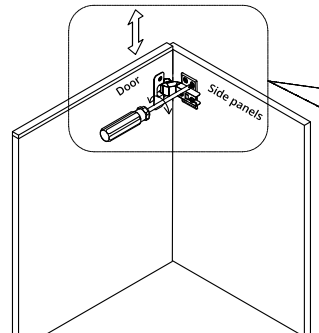
Concealed hinges are three-way adjustable:



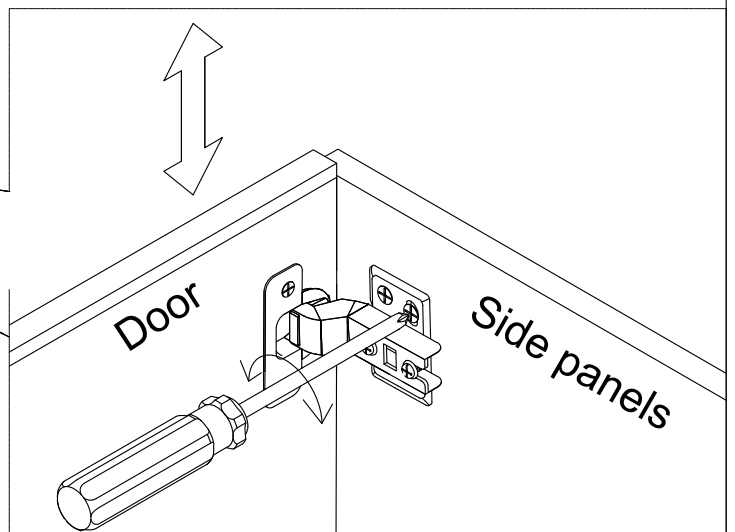
In-and-out
by loosening the hinge arm
mounting screw or via cam
adjustment!



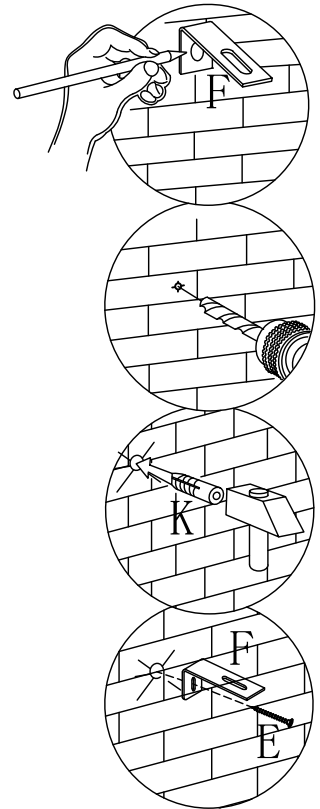
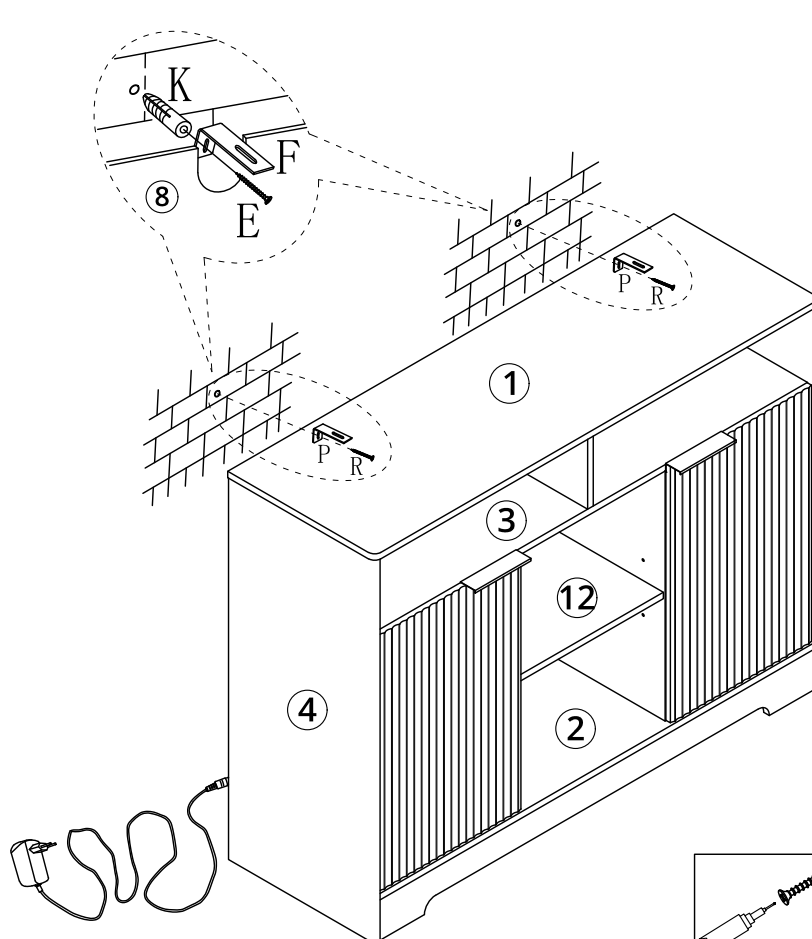
Concealed hinges are three-way adjustable:

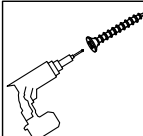

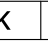



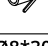


Vertical via slots in
the mounting plate
or via cam adjustment!



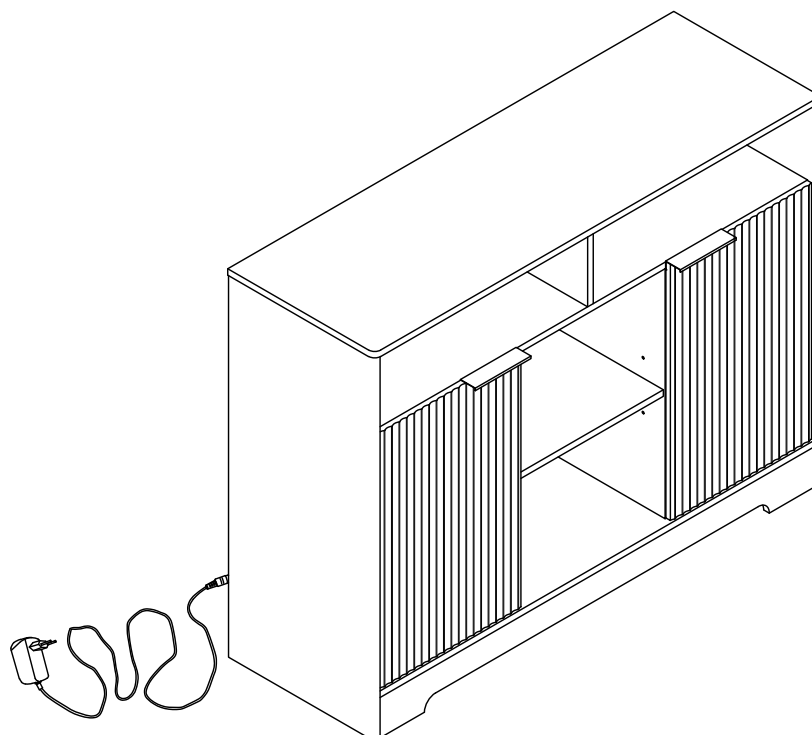
20



	80%		E	×2		×2
	100%					
	✓		M4.0*35mm			Ø8*30mm

21

Finished



13

