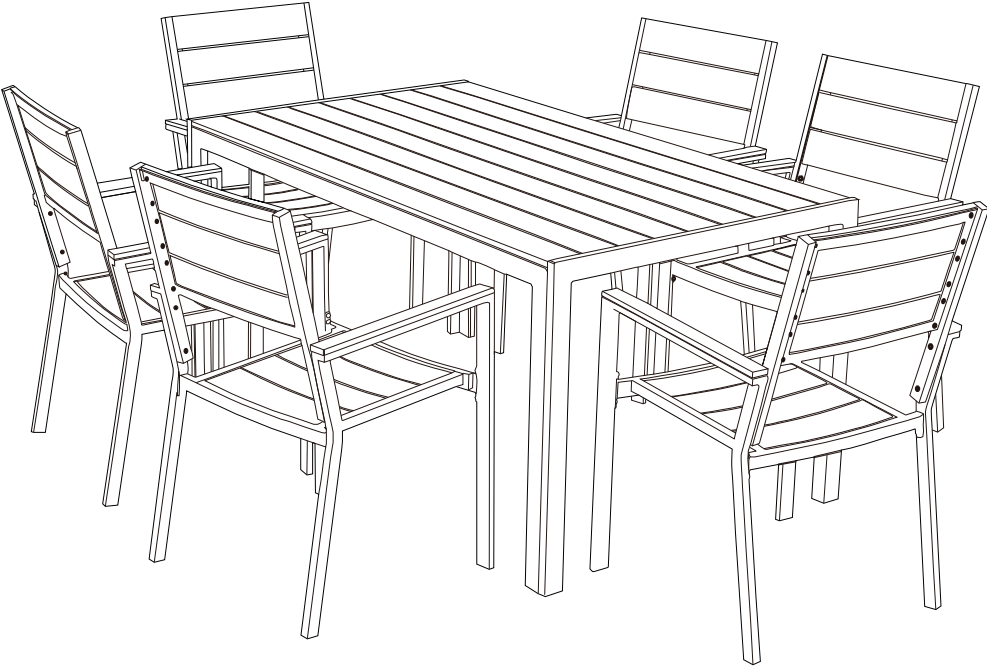


DINING SET

Instruction manual





SAFETY AND CARE ADVICE

PLEASE READ THESE INSTRUCTIONS CAREFULLY AND KEEP FOR FUTURE

- Check you have all the components and tools listed on page 2.
- Remove all fittings from the plastic bags and separate them into their groups.
- Keep children and animals away from the work area, small parts could choke if swallowed.
- Make sure you have enough space to layout the parts before starting.
- Do not stand or put weight on the product, this could cause damage.
- Assemble on a soft level surface to avoid damaging the unit or your floor (use opened out unit carton).
- We do not recommend the use of power drill/drivers for inserting screws, as this could damage the unit. Only use hand screwdrivers.

· **HEALTH AND SAFETY:**

DO NOT jump on this sofa bed.

DO NOT use this sofa bed if any parts are missing, damaged or worn.

DO NOT use this sofa bed unless all fixings are secured.

· **WARNING:**

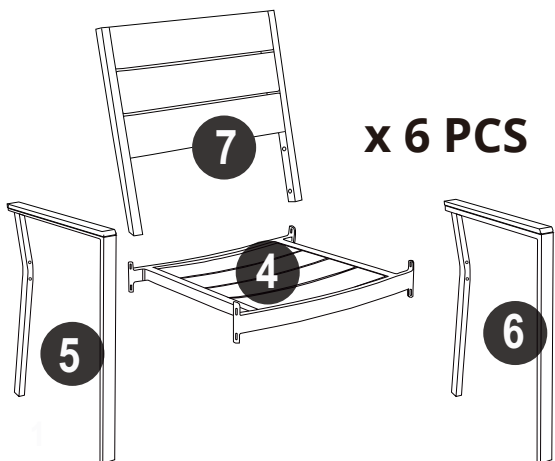
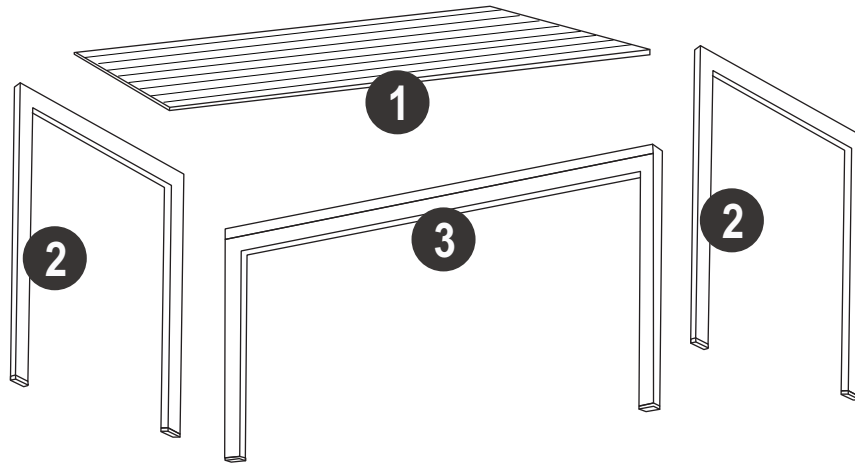
If this sofa bed is placed on non-carpeted floor you must place some Protection under all legs to stop the sofa bed frame from moving. If this is not adhered to there is no guarantee if the sofa bed frame collapses.

· **HANDY HINT:**

If you keep the hardware in a bowl during assembly you will be less likely to lose them.



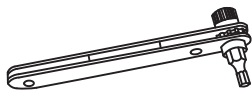
COMPONENTS



PANEL LIST

1	Table Top	x1
2	Table Short Leg	x2
3	Table Long Leg	x2
4	Chair Seat	x6
5	Chair Left Arm	x6
6	Chair Right Arm	x6
7	Chair Back	x6

A



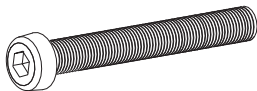
Ratchet wrench x 1

D



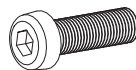
Screw Cap x 8

B



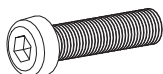
M6 x 60mm Screw x 8

E



M6 x 15mm Screw x 48

C



M6 x 30mm Screw x 38




F

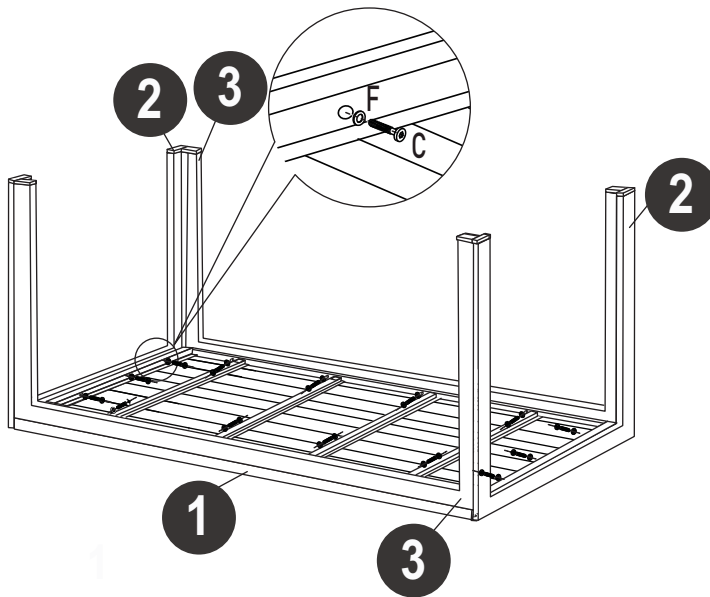


M6 x Washer x 94





ASSEMBLY INSTRUCTIONS

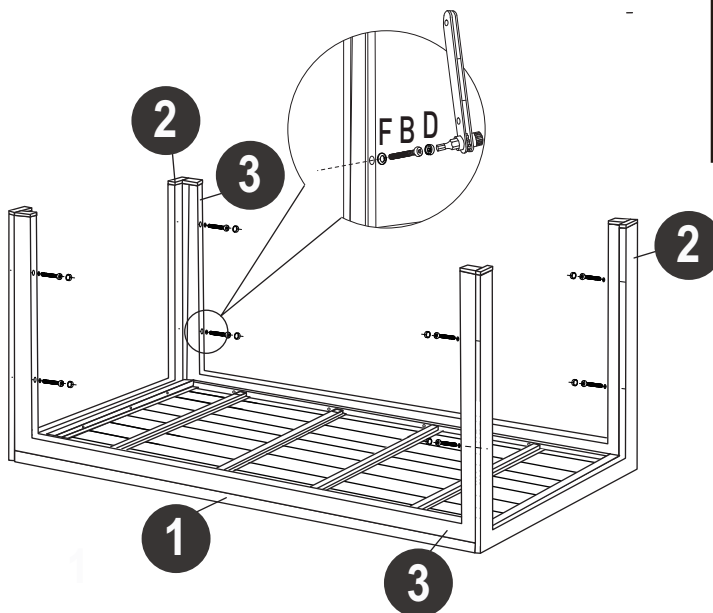
step1 Please note, when building this product, screw threads should not be fully tightened until all parts are in place. Only once all parts are assembled, should they be fully tightened

A		1
C	 M6 x 30mm	14
F		14






step2

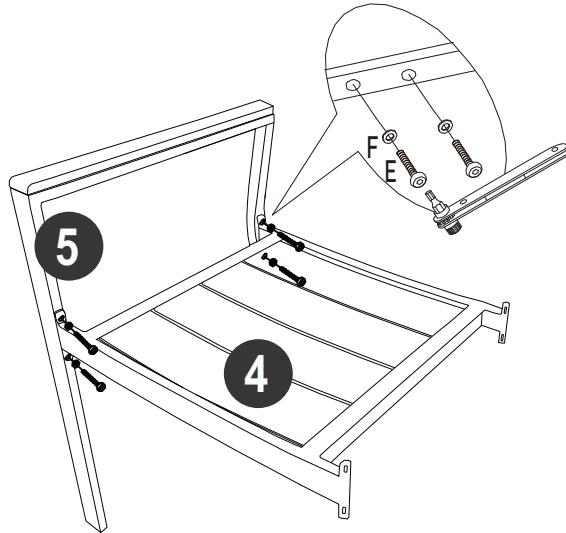
A		1
B	 M6 x 60mm	8
F		8
D		8



ASSEMBLY INSTRUCTIONS




step3

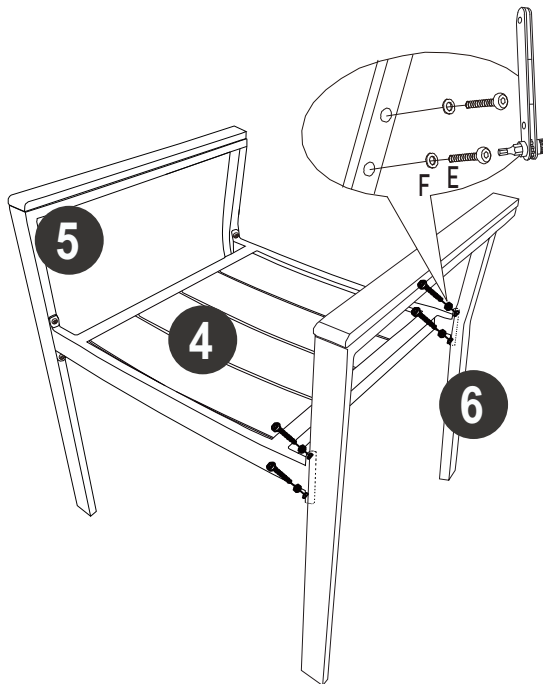
A		1
E	 M6 x 15mm	24
F		24



x6

step4

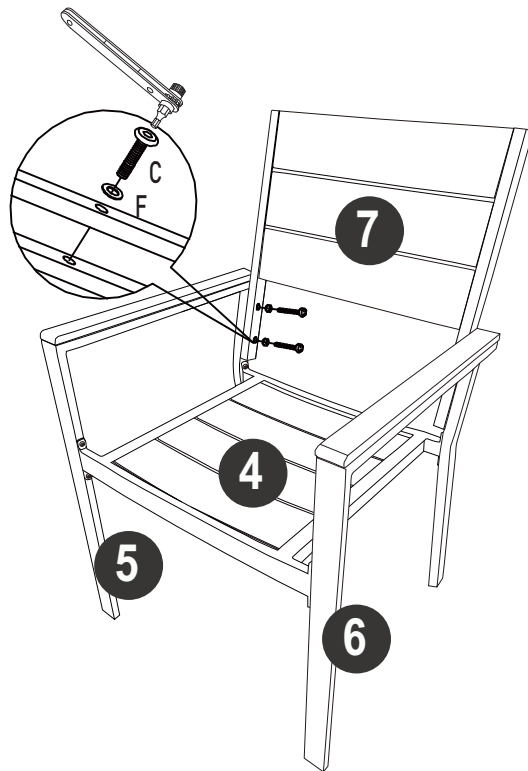
A		1
E	 M6 x 15mm	24
F		24






x6

ASSEMBLY INSTRUCTIONS

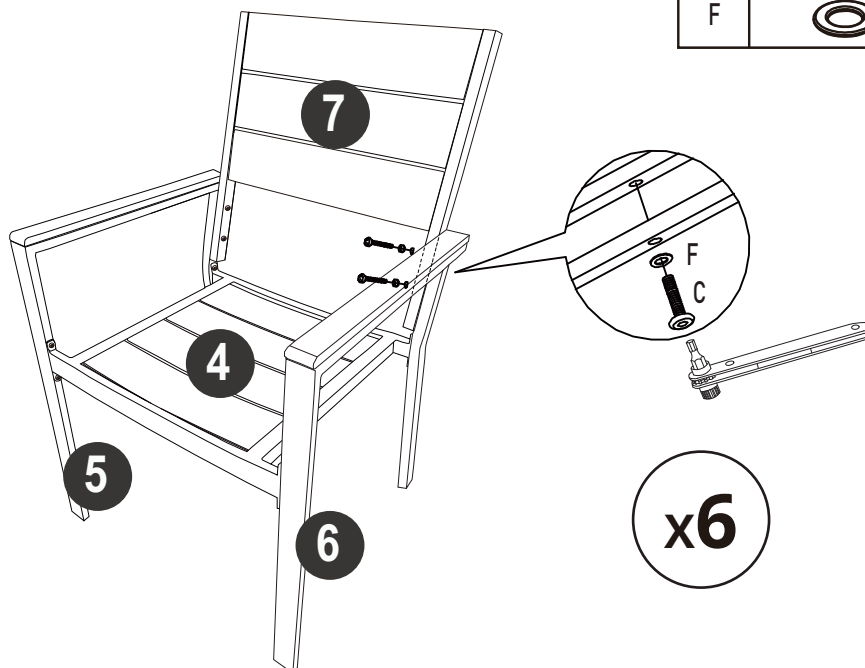
step5






A		1
C	 M6 x 30mm	12
F		12

x6

step6

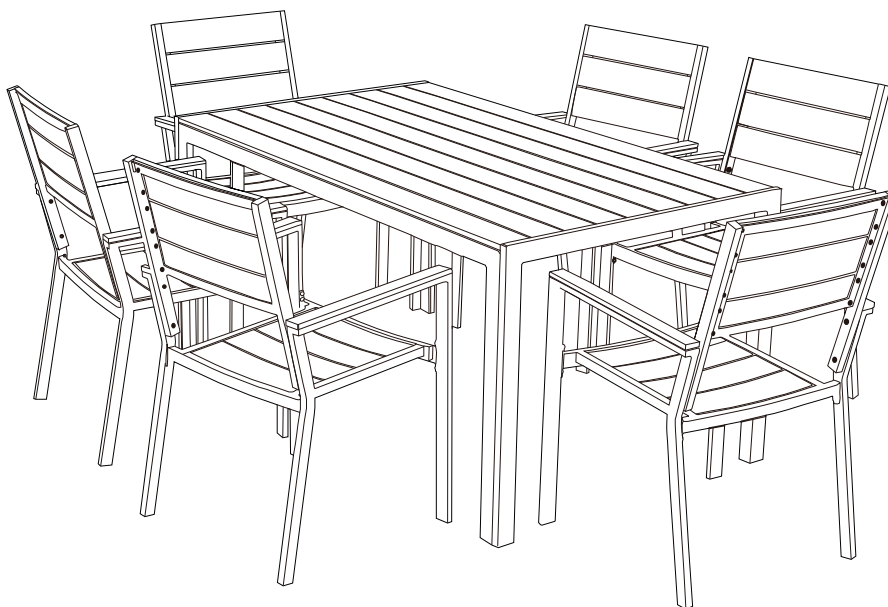


A		1
C	 M6 x 30mm	12
F		12

x6

ASSEMBLY INSTRUCTIONS

step7



*Congratulations!
Now you have finished assembling the product.*