

# Installation & Assembly



# IMPORTANT SAFETY INFORMATION

- PLEASE READ THE ENTIRE INSTRUCTION MANUAL BEFORE BEGINNING INSTALLATION.
- IF THIS MANUAL DOES NOT MATCH YOUR INSTALLATION, PLEASE CONTACT US.

## WARNING



The product is intended for indoor use only. The product must be assembled and used in accordance with the provisions of the manual. Personal injury and/or damage to the product may occur if products are used outside of their intended purposes and/or if products have been changed/modified from their original design. The seller does not assume any responsibility or liability with respect to any injury/damage caused by incorrect assembly or improper use.



If there are any defective or missing parts after unpacking, please call technical support or email customer service.



To prevent mildew, avoid long-term exposure to humid environments.



Keep the product away from fire sources and high temperatures. DO NOT expose the product to direct sunlight.

DO NOT place any hot objects on the surface of the product.



To avoid potential damage to the product and flooring during assembly, use a blanket or underlayment to lay out parts.



Wear gloves during the assembly and/or disassembly process.



Keep the product away from sharp, pointed objects and corrosive substances.



Only assemble and use this product on level and stable flooring.



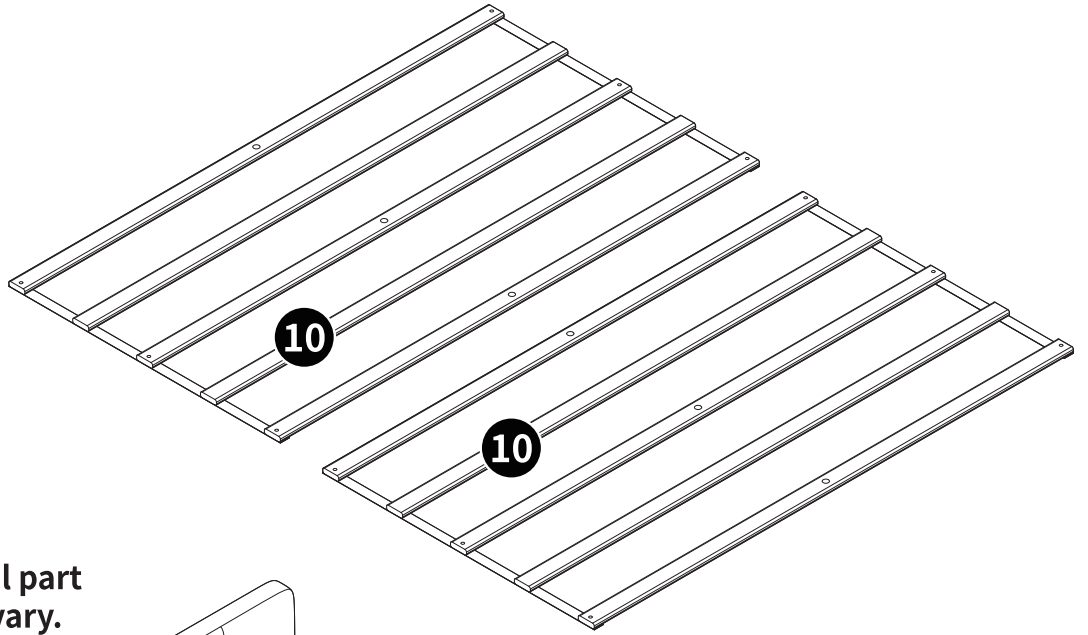
Periodically inspect screw tightness after assembly. If necessary, retighten to ensure structural integrity.



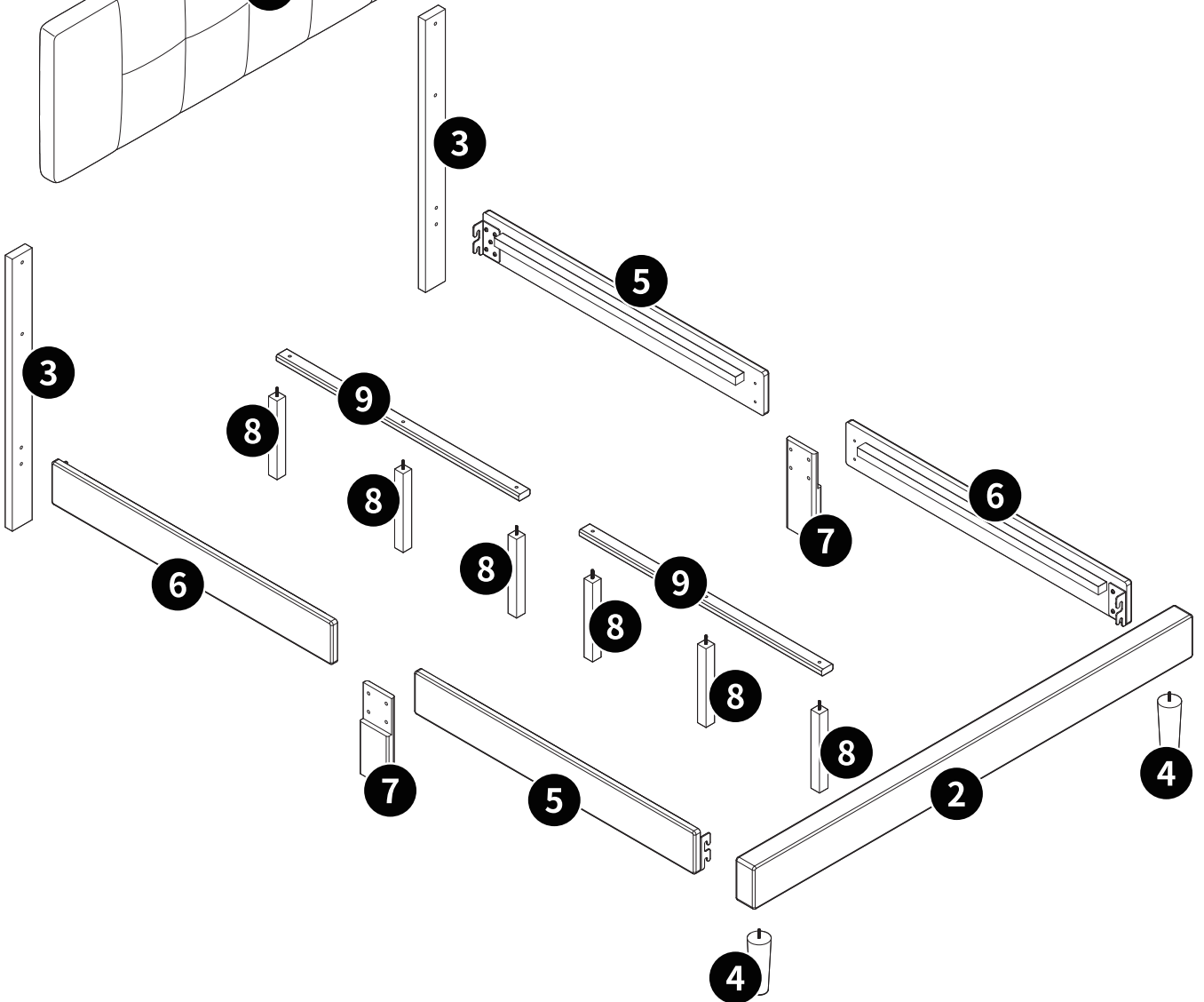
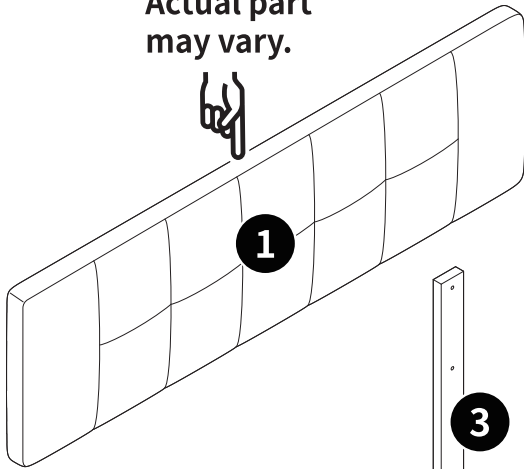
If you accidentally spill liquid on the surface, immediately wipe clean with a dry towel.

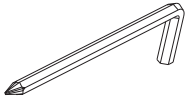
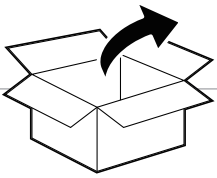


- This product is heavy. Children should not participate in handling. In the event of injury, the seller does not assume responsibility.
- Children should not climb or play on the product during assembly. This can lead to the product flipping over or falling on top of children, resulting in injury.
- Keep children away from the work area during assembly. Bolts and other small accessories may pose a choking hazard.
- To avoid the potential risk of suffocation, keep all parts and packaging (films, plastic bags and foam, etc.) away from infants and children.
- Please store spare parts in a safe place away from children.



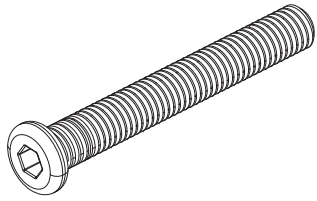
Actual part may vary.





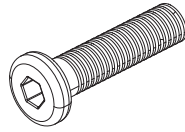
3/16" (5mm)

**(A)** x 1



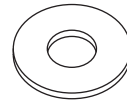
M8 x 40mm

**(B)** x 4



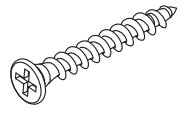
M8 x 28mm

**(C)** x 16



M8

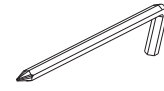
**(D)** x 20



M4 x 30mm

**(E)** x 12

**1**



3/16" (5mm)

**(A)** x 1



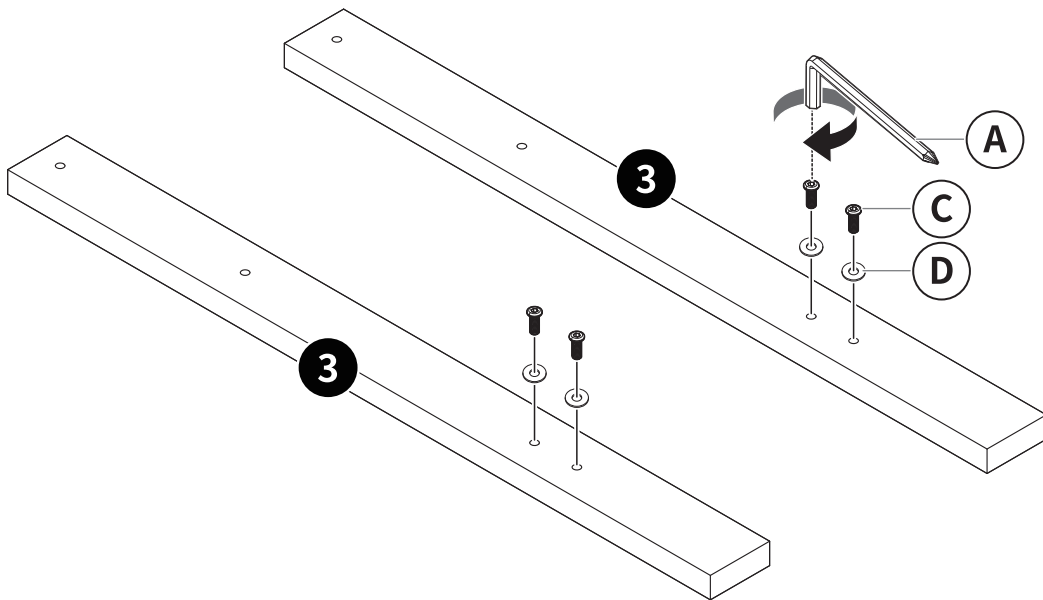
M8 x 28mm

**(C)** x 4



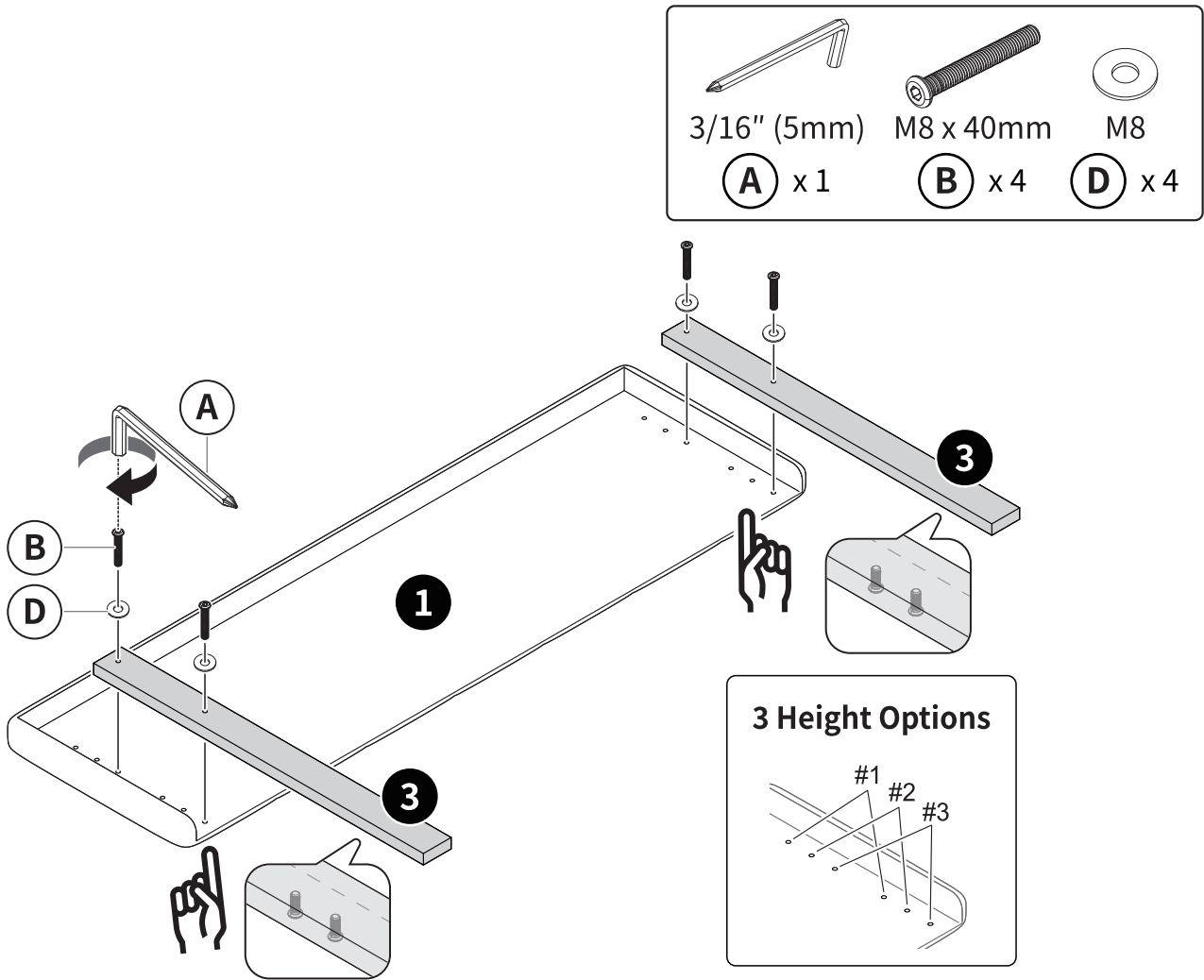
M8

**(D)** x 4

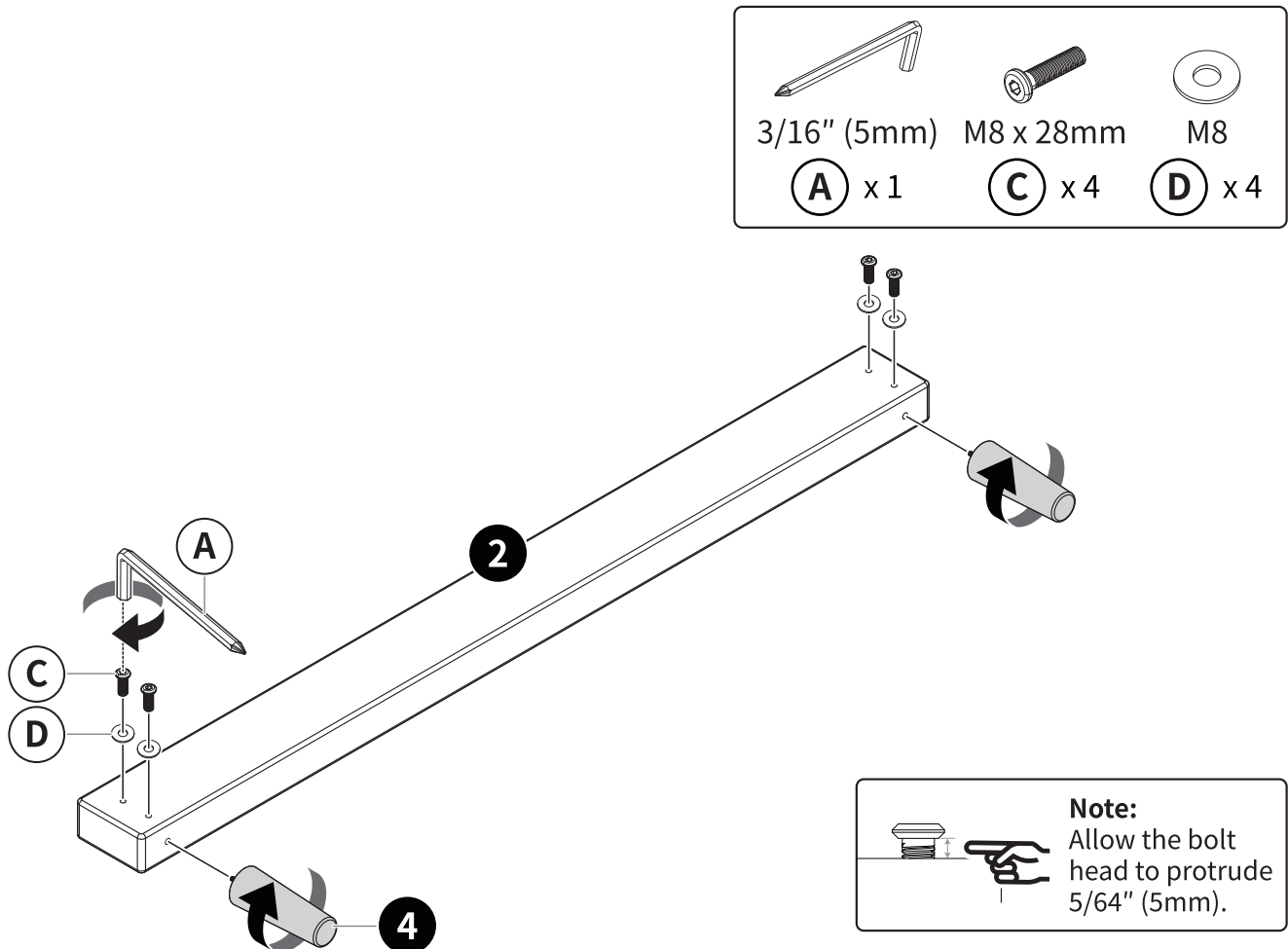


**Note:**  
Allow the bolt head to protrude 5/64" (5mm).

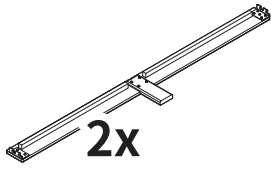
2

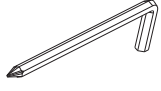
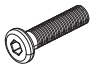
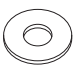


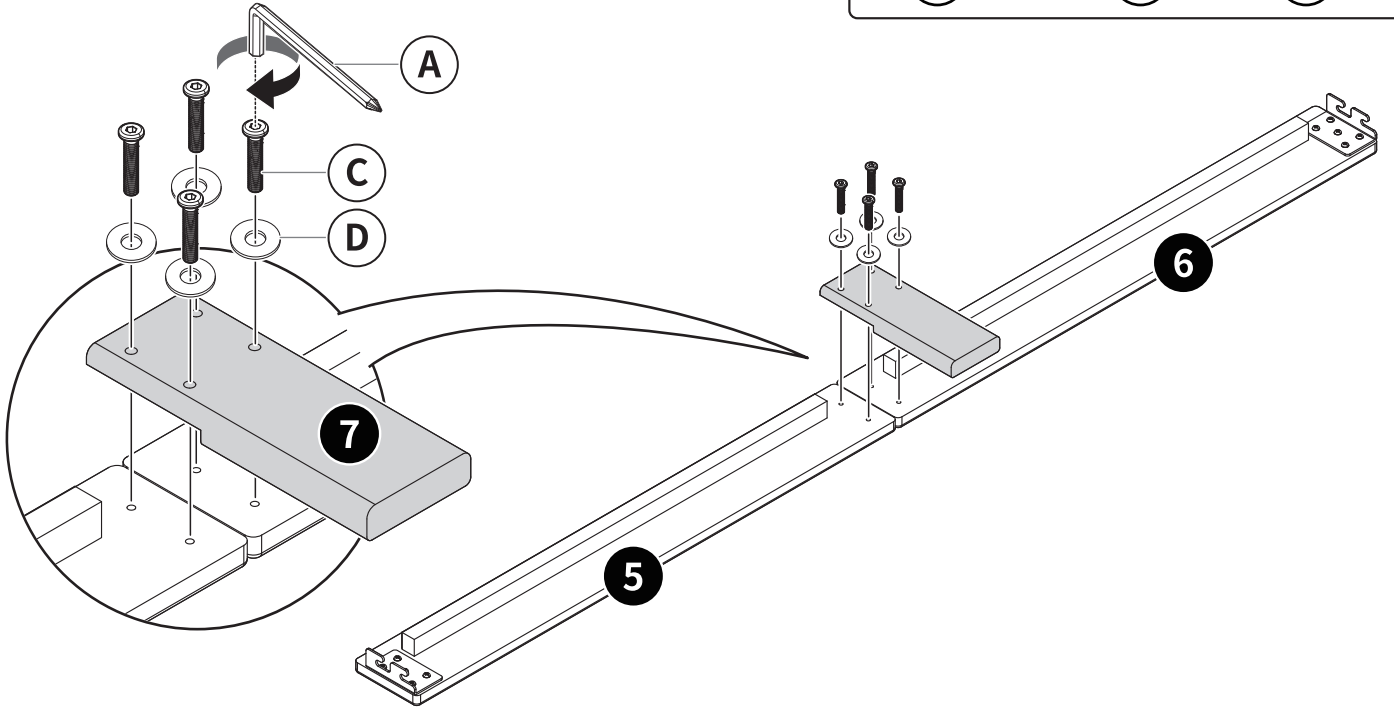
3



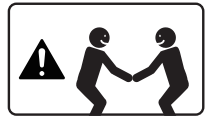
**4**

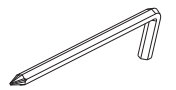


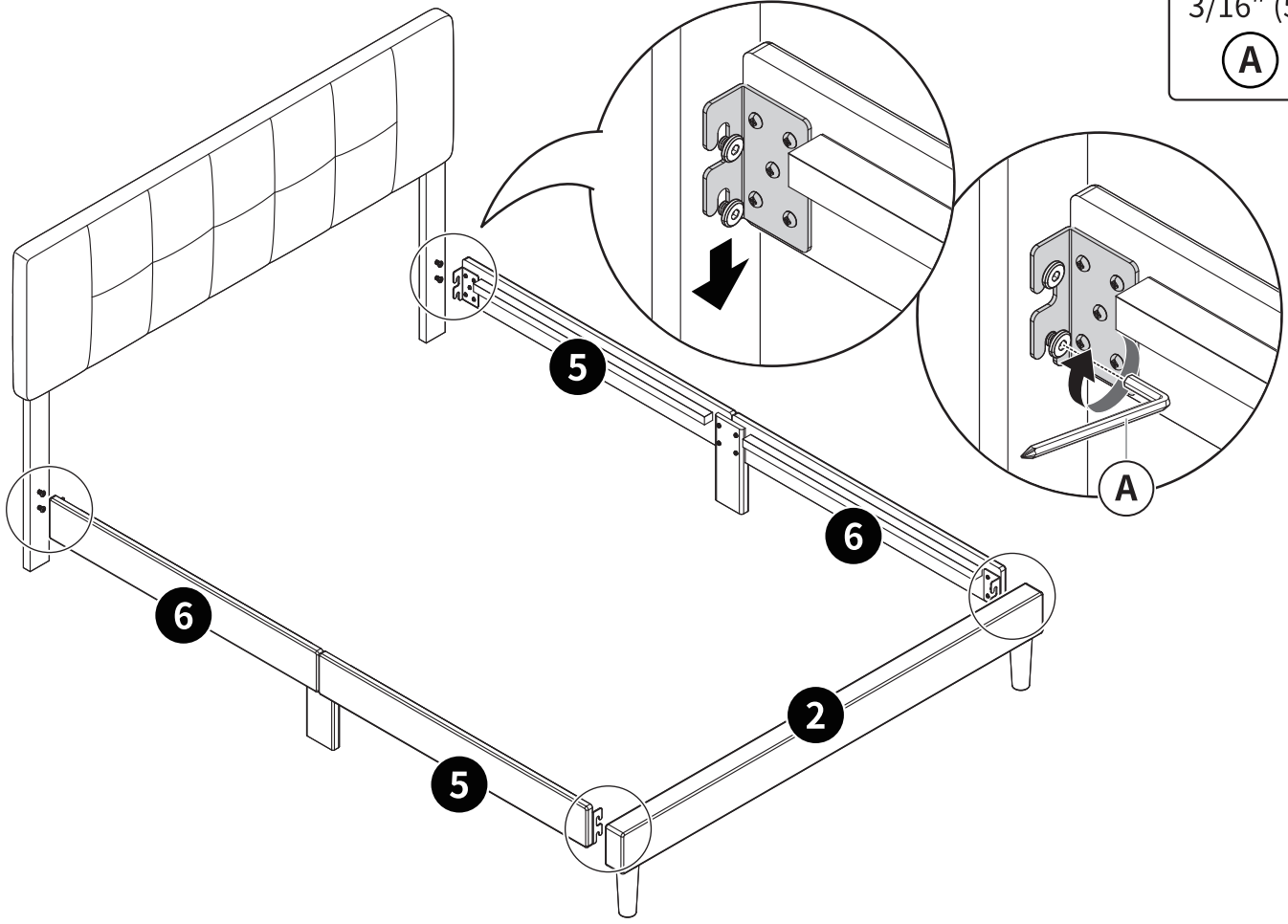
		
3/16" (5mm)	M8 x 28mm	M8
<b>(A)</b> x 1	<b>(C)</b> x 8	<b>(D)</b> x 8



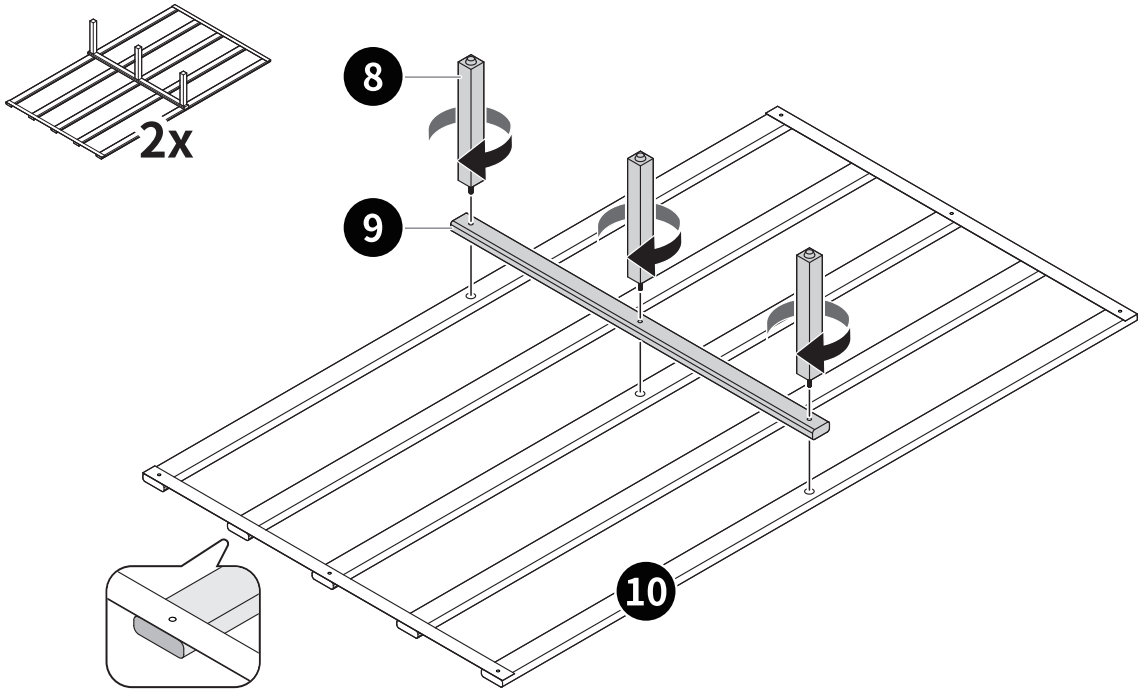
**5**



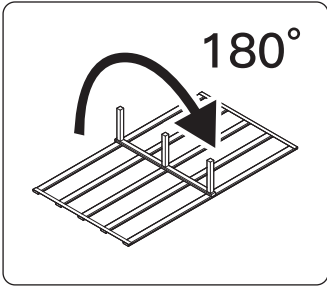

3/16" (5mm)
<b>(A)</b> x 1



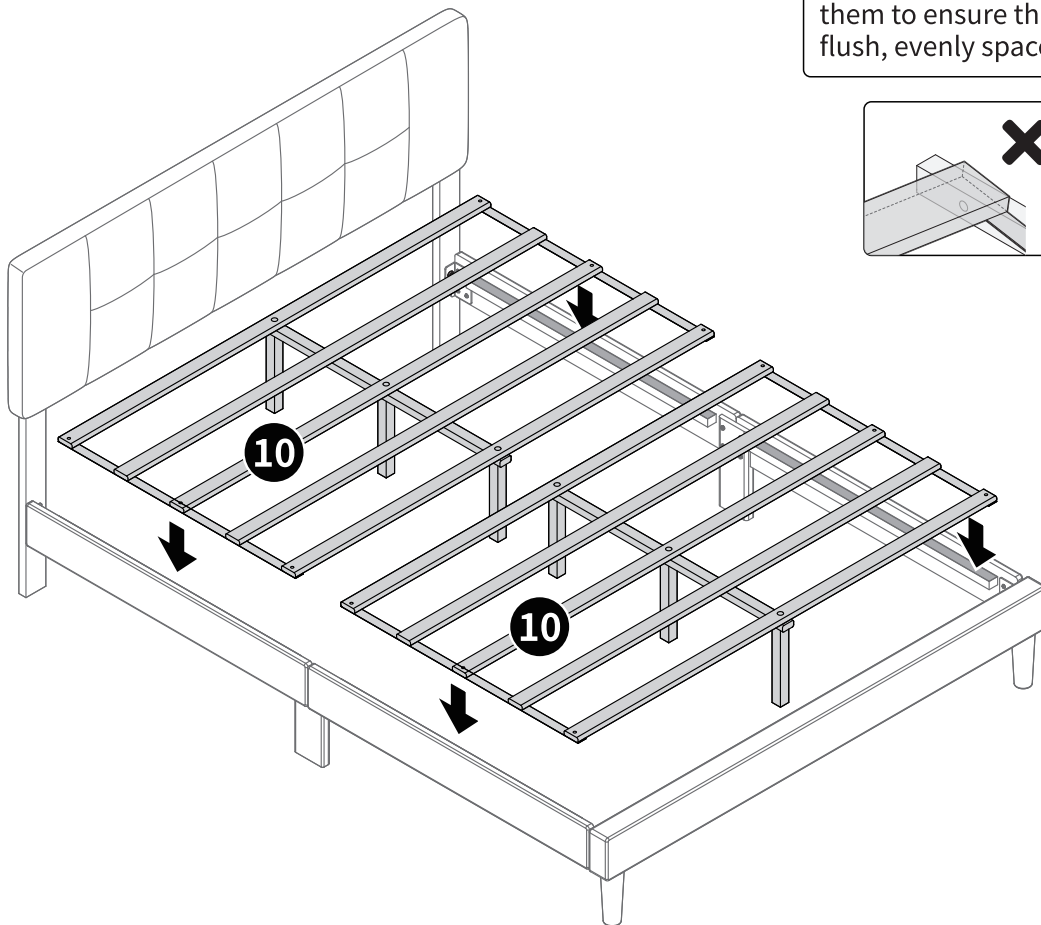
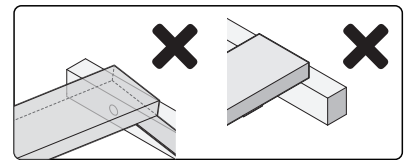
6



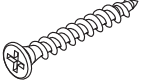
7



**Important:**  
Before securing the slats, adjust them to ensure they are aligned, flush, evenly spaced, and straight.



8

  
M4 x 30mm  
E x 12

