

ASSEMBLY INSTRUCTIONS

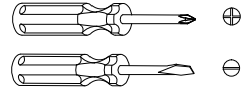
TV Stand

ASSEMBLY
REQUIREMENTS

1.5 Hours
Assembly Time
(Approximate)

2-Person
Assembly

Tools Required:
(Not Provided)

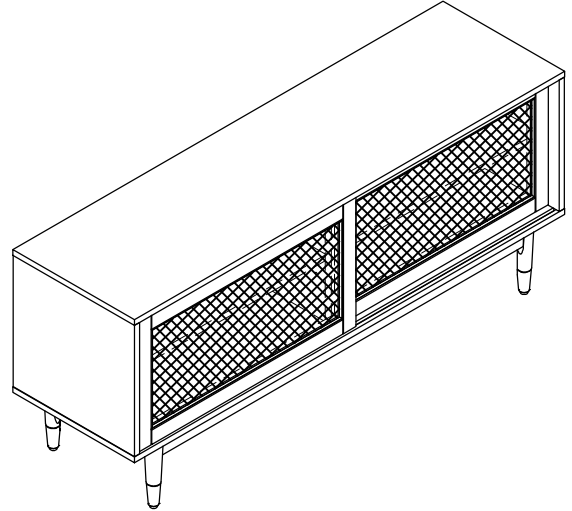


Thank you for purchasing our product!

Please refer and use this assembly instruction to assemble the product. Contact our customer service department in case there are any missing or damage parts or hardware. Replacement parts are normally shipped within 2 or 3 days.

PRODUCTS PURCHASED THROUGH OUR
AUTHORIZED VENDORS ONLY ARE ELIGIBLE
FOR REPLACEMENT PARTS.

We appreciate your business!



**THIS PRODUCT IS FOR INDOOR AND HOUSEHOLD USE ONLY -
NOT FOR COMMERCIAL USE.**

ASSEMBLY PREPARATION

1. Remove all packaging materials, staples and packing straps from the carton.
2. Refer to Parts List and Hardware List, and ensure parts and hardware are correct before assembly.
Contact customer service for missing parts.
3. Place all wooden parts on a clean, flat and soft surface (e.g. carpet or rug) to prevent scratch and damage to parts.

SAFETY PRECAUTION

1. KEEP ALL HARDWARE PARTS OUT OF REACH OF CHILDREN.
2. DISPOSE PLASTIC PACKAGING MATERIAL IMMEDIATELY TO AVOID ANY RISK OF SUFFOCATION TO CHILDREN AND ANIMALS.

TIPS FOR ASSEMBLY

1. Allow ample room for assembly and assemble the product near where the product will be placed.
2. Assemble the product on a surface that does not scratch or damage the exterior gloss and finish of the furniture.
3. Identify all of the parts, hardware and quantities required for each step.
4. During assembly, do not over-tighten any fittings as this may cause damage.
5. DO NOT USE POWER TOOLS TO ASSEMBLE THIS PRODUCT.
6. Always place the product on a flat, level surface.
7. Do not sit or stand on the partially assembled product; only use the product for which it is intended.

CARE AND MAINTENANCE

- Use a slightly damp cloth to clean the product.
- Do not use bleach or abrasive cleaning material.
- Check all the fittings periodically and re-tighten as necessary.
- Do not use the product if any of the parts is damaged or broken.
- Never allow any kind of liquid to remain on your furniture. Absorption can cause wood to warp or delaminate.
- Do not place hot items (e.g. hot drinks) directly onto the wood surface.
- Do not drag and/or pull the furniture.

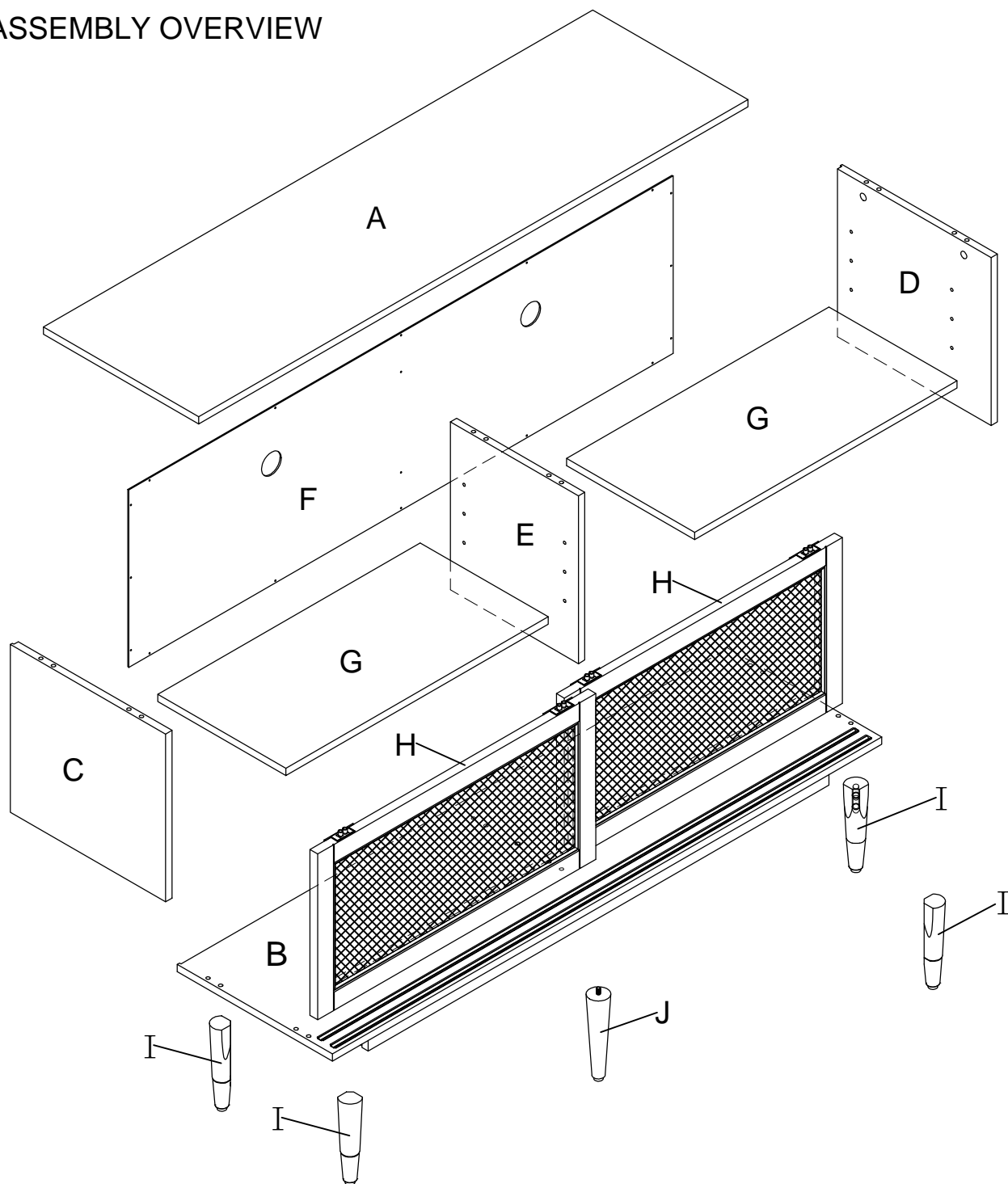
ASSEMBLY INSTRUCTIONS

TV Stand

PARTS LIST

NO.	PART NAME	QTY	NO.	PART NAME	QTY
(A)	Top Panel	1	(F)	Back Panel	1
(B)	Bottom Panel	1	(G)	Adjustable Shelf	2
(C)	Left Panel	1	(H)	Door	2
(D)	Right Panel	1	(I)	Leg	4
(E)	Middle Panel	1	(J)	Center Leg	1




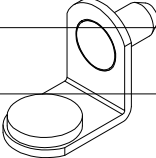
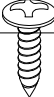


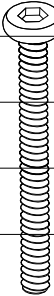
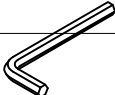

ASSEMBLY OVERVIEW



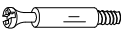



ASSEMBLY INSTRUCTIONS

TV Stand

HARDWARE LIST

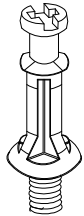
					3CM 2CM 1CM 0CM
6X φ6*35mm 1 Cam-bolt	12X φ8*30mm 2 Wood Dowel	6X φ15*12mm 3 Cam-lock	8X φ6.5mm 4 Shelf Holder	18X φ3*15mm 5 Screw	
					4CM 3CM 2CM 1CM 0CM
8X Ø1/4" 6 Flat Washer	8X Ø1/4" 7 Spring Washer	8X φ1/4"*45mm 8 Screw	1X 4mm 9 Allen Wrench	6X φ7*38mm 10 Screw	

EXTRA HARDWARE

			
φ6*35mm 2PCS Cam-bolt	φ15*12mm 2PCS Cam-lock	φ8*30mm 2PCS Wood Dowel	φ3*15mm 2PCS Screw

ASSEMBLY INSTRUCTIONS TV Stand

INSTRUCTIONS FOR CAM-BOLT & CAM-LOCK

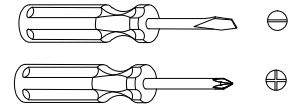


CAM-BOLT

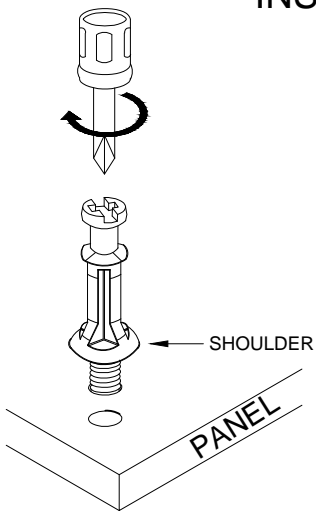


CAM-LOCK

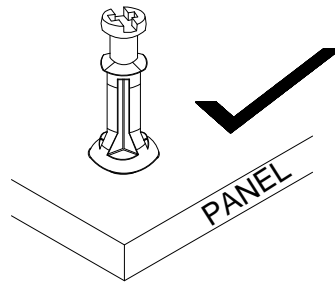
Tools Required



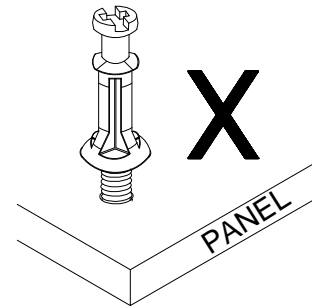
INSERTING AND TIGHTENING CAM-BOLT



Place Cam-bolt on pre-drilled hole and screw in vertically



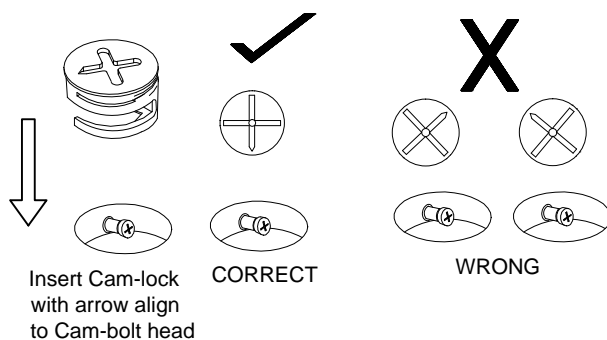
Shoulder is flushed (on the same level) with the panel.



Shoulder is above the panel.

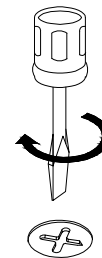
Place Cam-bolt on the designated pre-drilled holes on the panel. Use a Phillips Screwdriver to screw-in Cam-bolt vertically until shoulder is flushed (on the same level) with panel.

INSERTING CAM-LOCK



Align the arrow on the Cam-lock to the Cam-bolt head and insert the Cam-lock. Ensure Cam-lock is fully inserted.

TIGHTENING CAM-LOCK



Use a Flat-head Screwdriver to turn Cam-lock clockwise so it locks onto the head of the Cam-bolt. Turn until it is snug (about 3/4ths of a turn) -- over-tightening could damage Cam-lock or/and Cam-bolt.

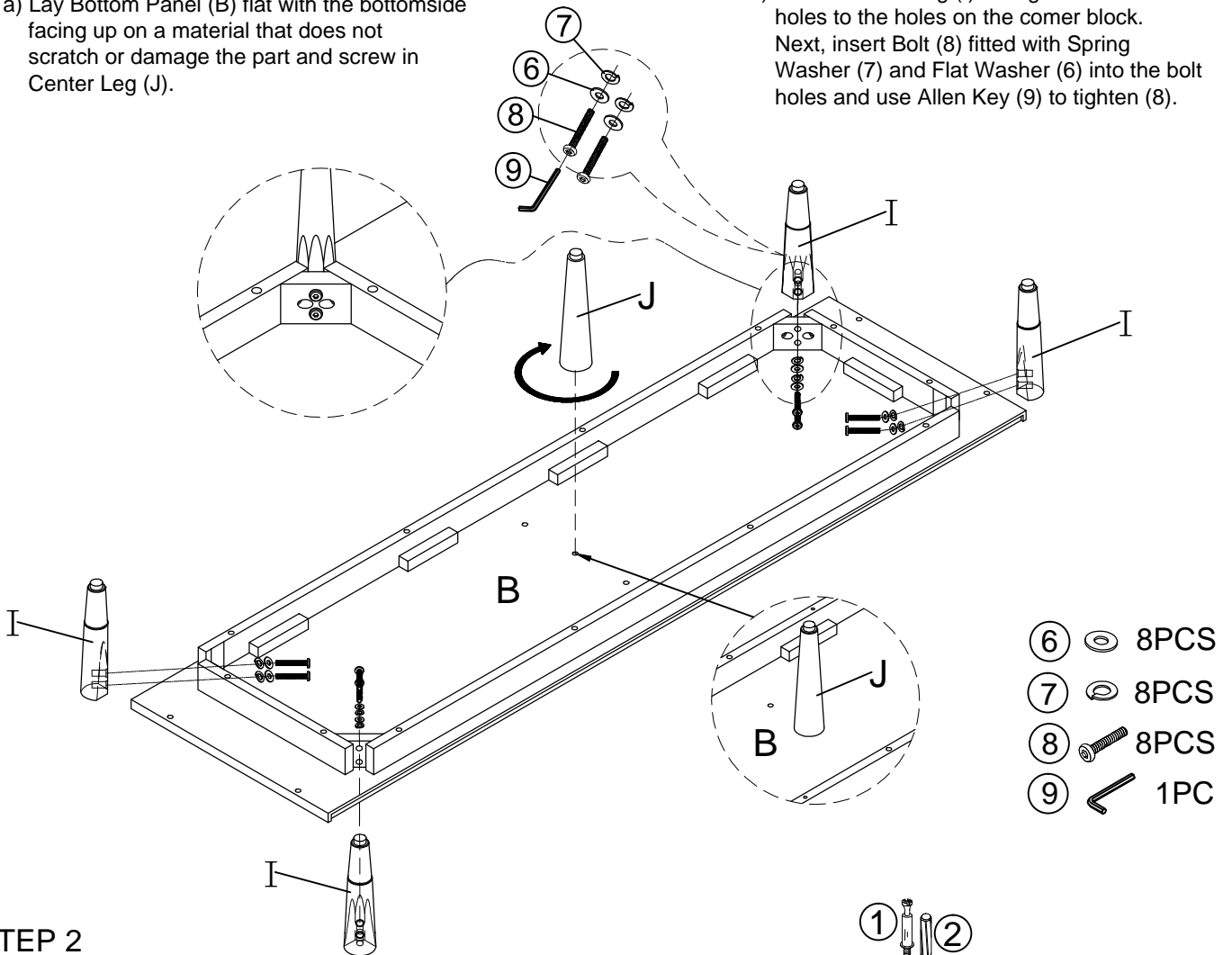
ASSEMBLY INSTRUCTIONS





TV Stand

STEP 1

a) Lay Bottom Panel (B) flat with the bottomside facing up on a material that does not scratch or damage the part and screw in Center Leg (J).

b) Position each Leg (I) to align the bolt holes to the holes on the corner block. Next, insert Bolt (8) fitted with Spring Washer (7) and Flat Washer (6) into the bolt holes and use Allen Key (9) to tighten (8).

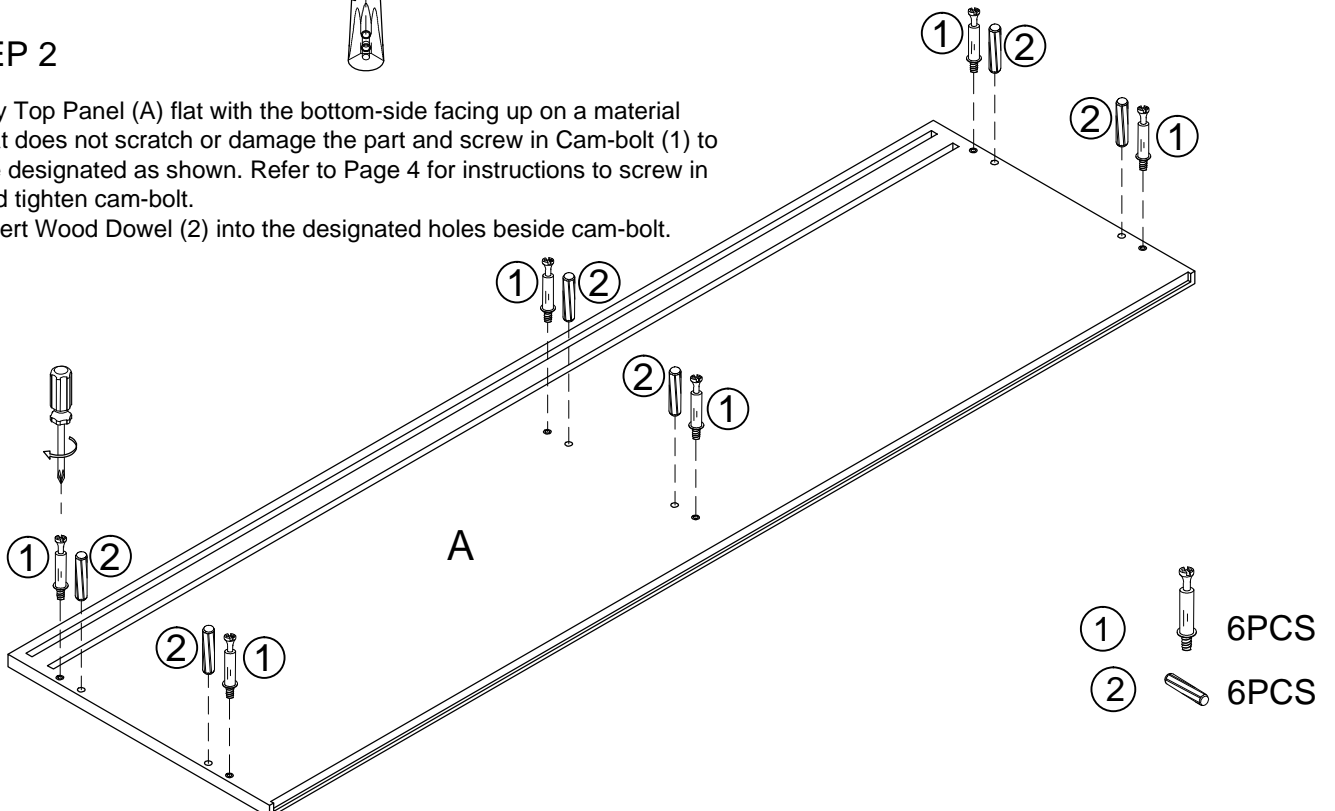


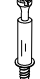

- ⑥  8PCS
- ⑦  8PCS
- ⑧  8PCS
- ⑨  1PC

STEP 2

a) Lay Top Panel (A) flat with the bottom-side facing up on a material that does not scratch or damage the part and screw in Cam-bolt (1) to the designated as shown. Refer to Page 4 for instructions to screw in and tighten cam-bolt.

b) Insert Wood Dowel (2) into the designated holes beside cam-bolt.



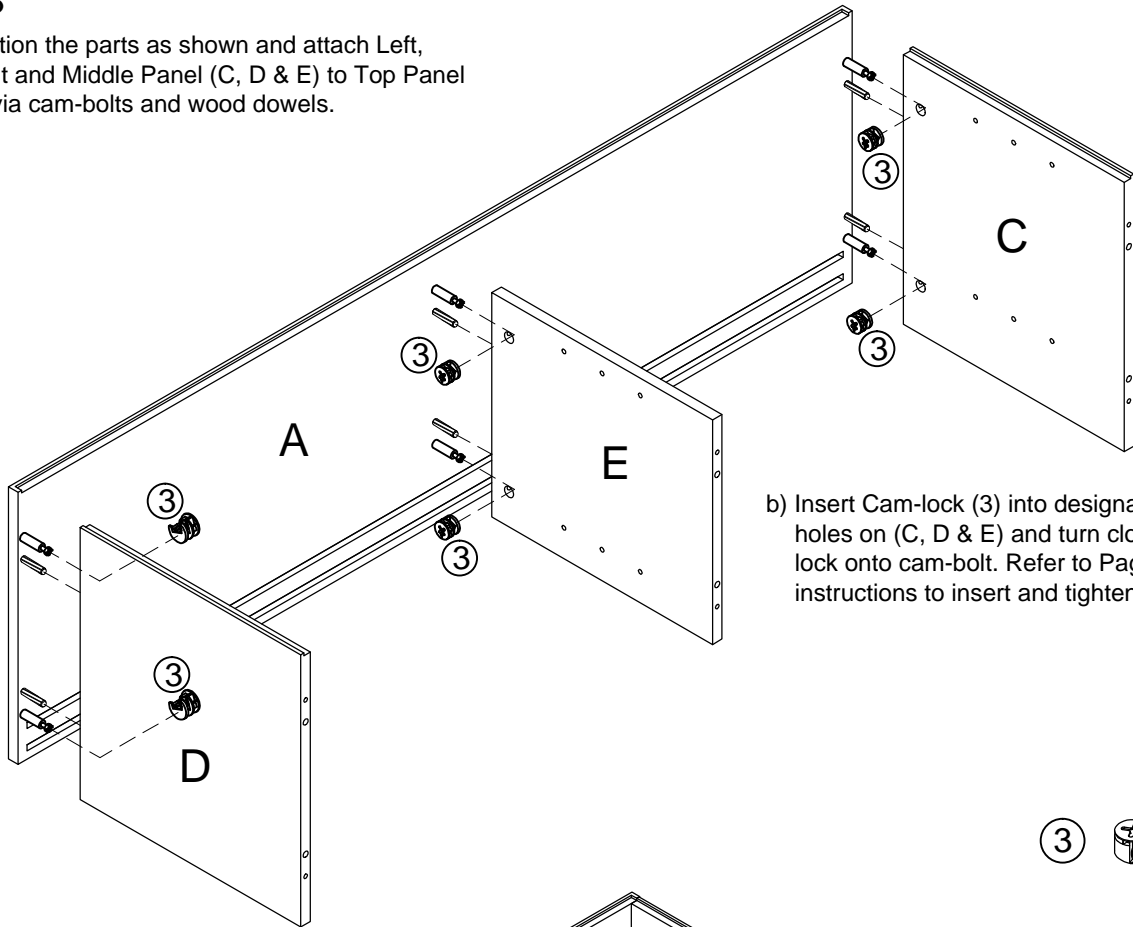
- ①  6PCS
- ②  6PCS

ASSEMBLY INSTRUCTIONS

TV Stand

STEP 3

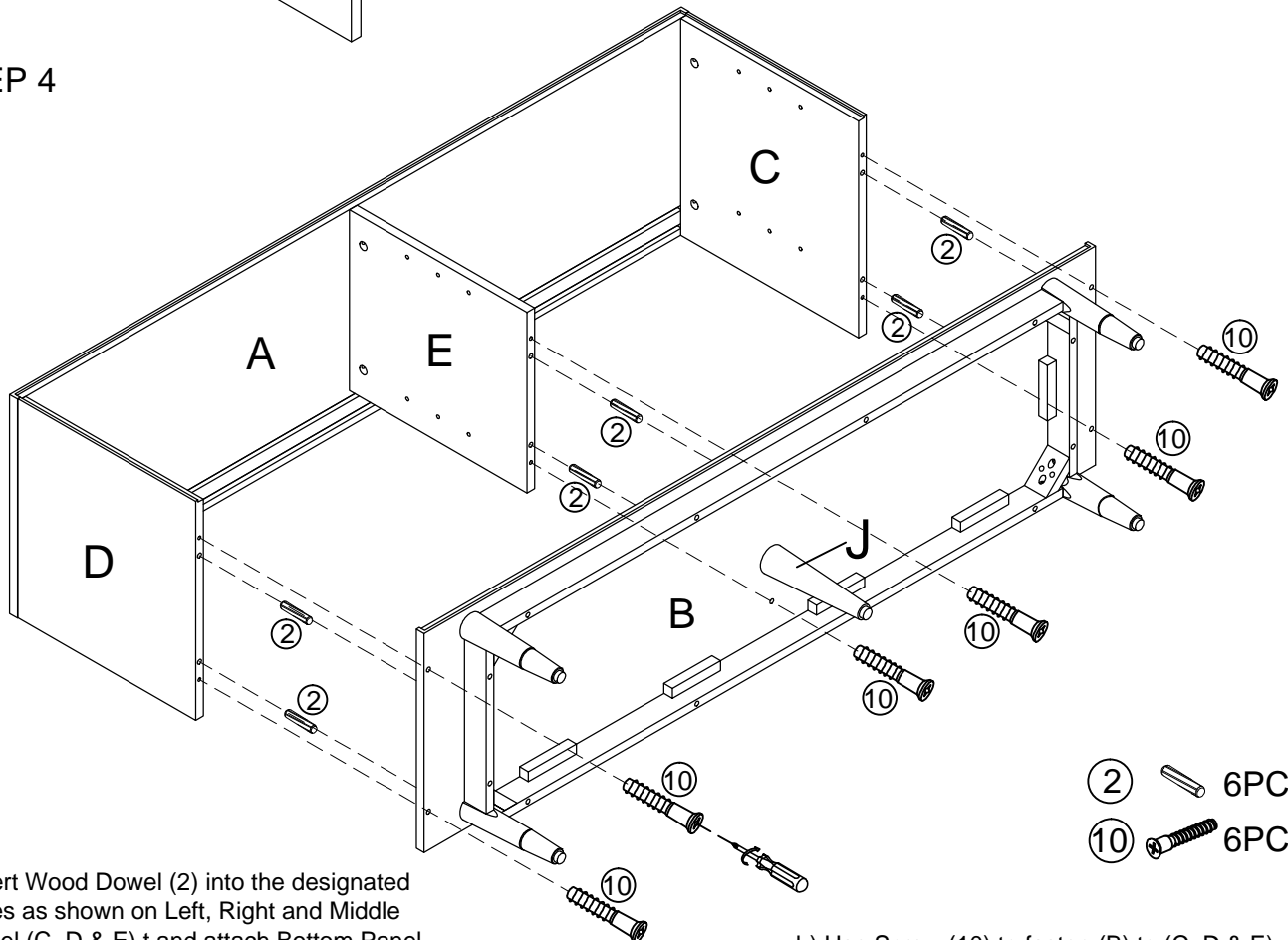
a) Position the parts as shown and attach Left, Right and Middle Panel (C, D & E) to Top Panel (A) via cam-bolts and wood dowels.



b) Insert Cam-lock (3) into designated holes on (C, D & E) and turn clockwise to lock onto cam-bolt. Refer to Page 4 for instructions to insert and tighten cam-lock.


③  6PCS

STEP 4



a) Insert Wood Dowel (2) into the designated holes as shown on Left, Right and Middle Panel (C, D & E) and attach Bottom Panel (B) assembly from STEP 1.

b) Use Screw (10) to fasten (B) to (C, D & E).

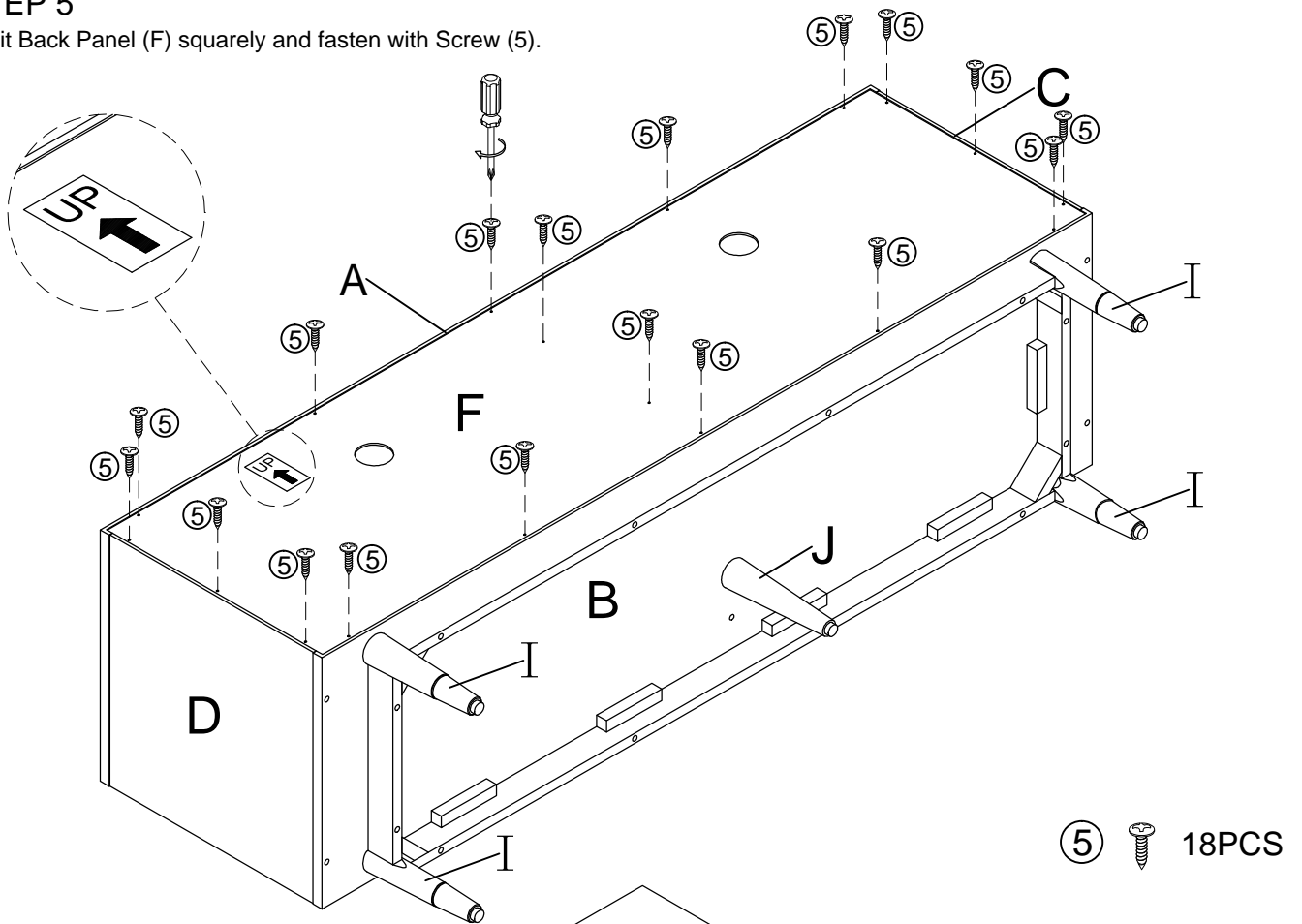
②  6PCS
 ⑩  6PCS

ASSEMBLY INSTRUCTIONS

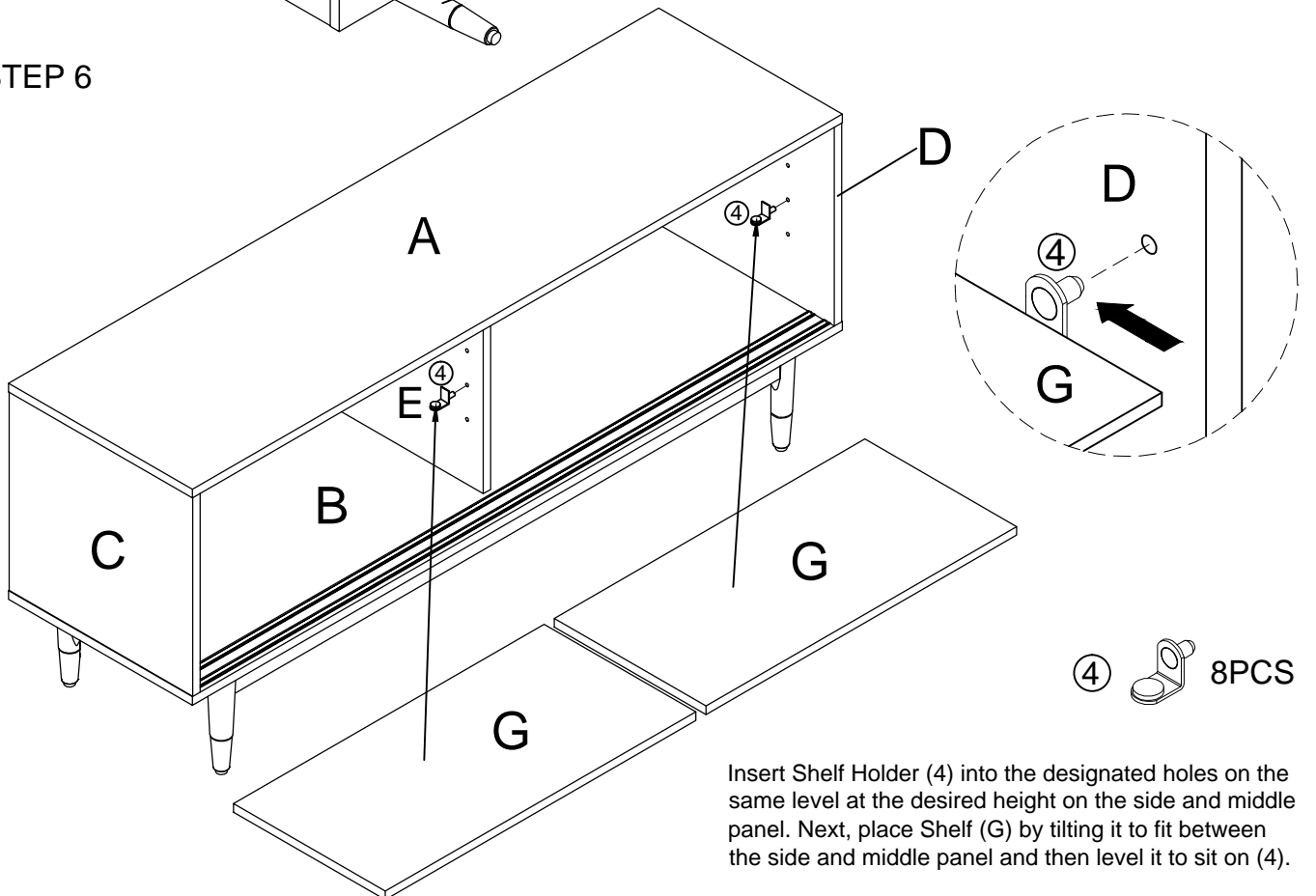
TV Stand

STEP 5

Fit Back Panel (F) squarely and fasten with Screw (5).



STEP 6



ASSEMBLY INSTRUCTIONS

TV Stand

STEP 7

- a) Using the STEP 7 DRAWING in the following page, identify and familiarize the Door Pin (see DRAWING P1), Door Pin Button (DRAWING P2), Door Wheel (DRAWING W1) and Door Wheel Adjustment Screw (DRAWING W2).
- b) Place one piece of Door (H) (designated as Inner Door) to fit the wheels at the bottom edge of (H) into the Inner Wheel Groove on the Bottom Panel (Refer to DRAWING W1).
- c) Near the top edge of this Inner Door, push down the button of the Door Pin mechanism to depress the Door Pin on the top edge of Inner Door (Refer to DRAWING P2).
- d) Align the depressed Door Pin to the Inner Groove on bottom-side of Top Panel and then release the button of the Door Pin mechanism (see DRAWING P4) so that the Door Pins fit into the Inner Groove on the bottom side of Top Panel (Refer to DRAWING P3).
- e) Adjust the Door Wheel Adjustment (clockwise or anti-clockwise to adjust the wheel height).
- f) Use the above procedures [b) to e)] to install the second piece of Door (H) (designated as the Outer Door).

ASSEMBLY INSTRUCTIONS

TV Stand

STEP 7-DRAWINGS

