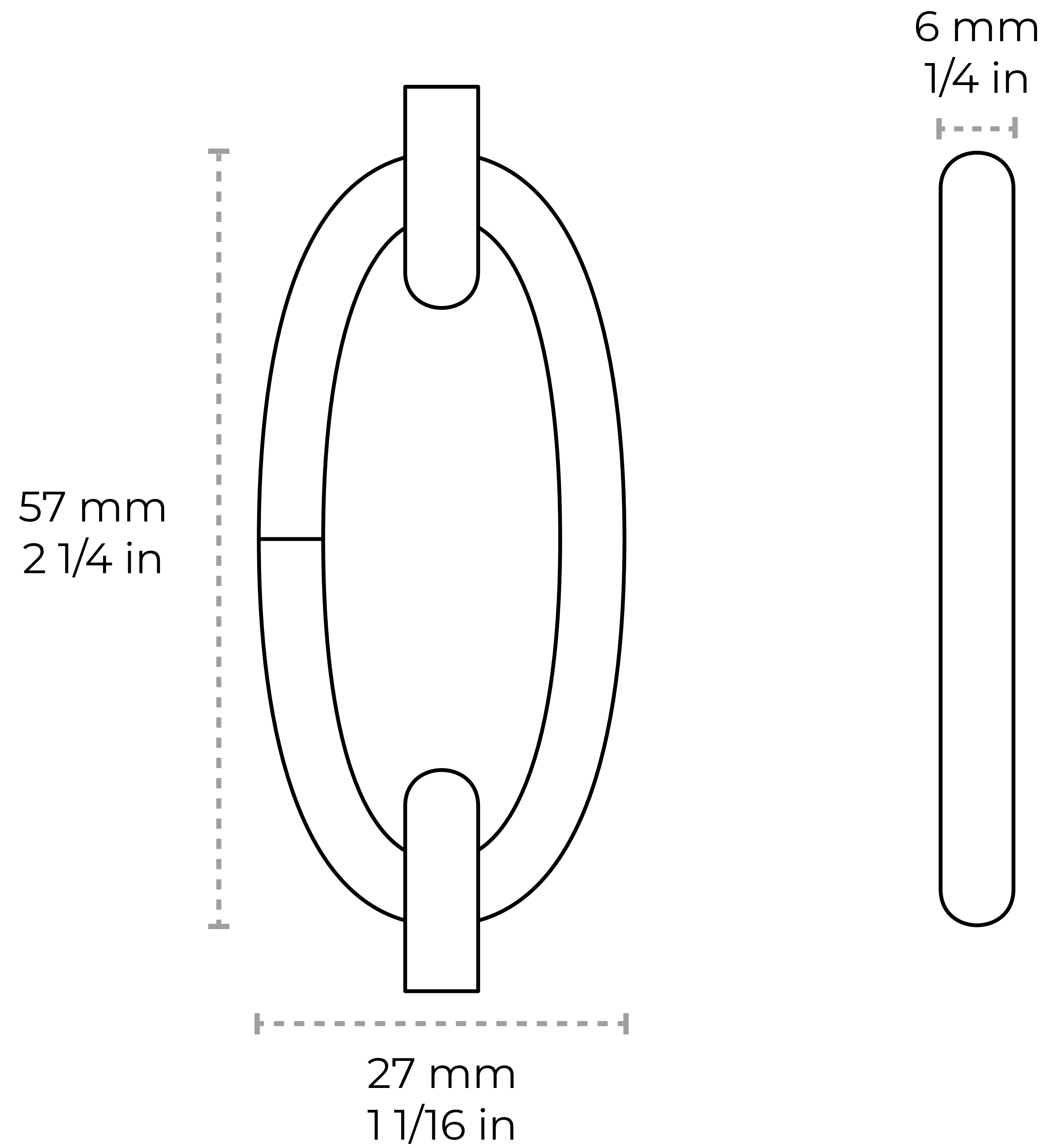


# CH-ST63-U57

## [Chain ST63-U] Steel Standard Link Oval Chandelier Chain



Material	Steel
Welding Type	Unwelded
Max Load	130 lbs
Weight per Foot	0.39 lbs/ft
Main Link Measurements	Length: 57 mm 2 1/4 in Width: 27 mm 1 1/16 in Diameter: 6 mm 1/4 in

### Contact:

1-360-392-8121

<https://www.rchhardware.com>

