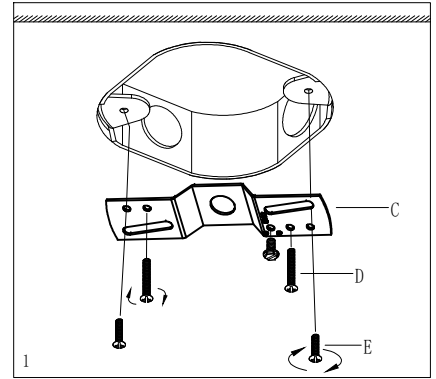


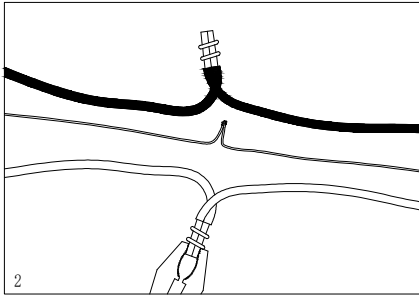
## ASSEMBLY INSTRUCTIONS:

**IMPORTANT: Turn off the power at the main fuse or circuit breaker box before starting installation.**

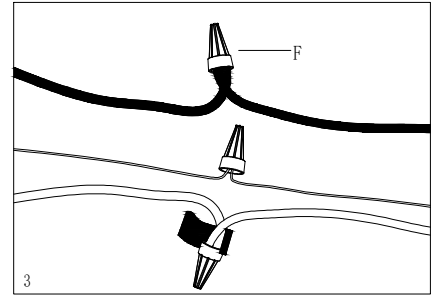
**STEP 1:** Tighten the long mounting screws(D) 2 full turns into the threaded holes in the mounting bracket(C). Then fasten mounting bracket(C) onto the ceiling outlet box by the short mounting screws(E).



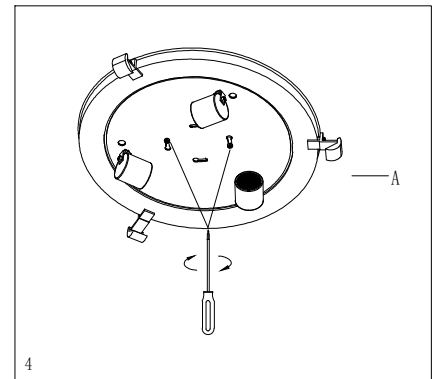
**STEP 2:** Strip 3/4in. of insulation from wire ends, Twist stripped ends together with pliers, black to black(Live) and white to white(neutral). Attach copper wire to ground wire. Helpful hint: if necessary, attach copper ground wire to grounded junction box.



**STEP 3:** Attach wire nuts(F) to the wires. Tape wire nuts and wires together.



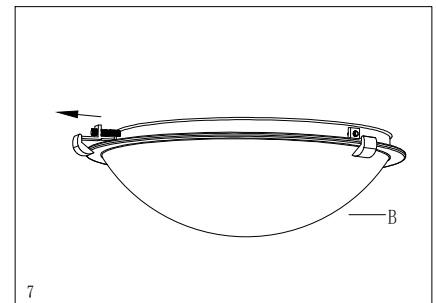
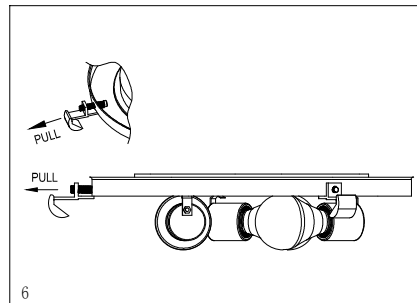
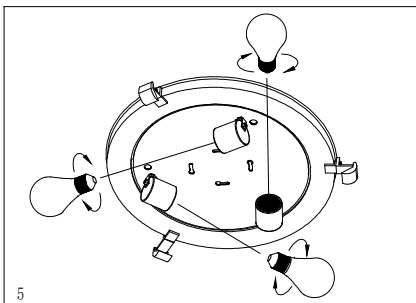
**STEP 4:** Place the fixture(A) over the outlet box. Allow heads of the long mounting screws(D) to go through the large ends of the key holes. Twist fixture(A) a little bit clockwise until the heads of the long mounting screws slide into the narrow ends of the key holes in place. Tighten the long screws(D) to fix the fixture pan(A)



**STEP 5:** Install light bulb(not included). Use only 60-watt or less standard-base bulbs.

**STEP 6:** Pull one operative hook by the spring pulling inside the pan(the other two hooks fixed by screws and nuts), and hold the hook awhile to proceed to Step 7.

**STEP 7:** First put the glass into the indentations of the other hooks fixed by screws and nuts, and then loosen the holding hook to snap the edge of the glass securely.



**STEP 8:** Carefully check the installation by hand and make sure 3 hooks can hold the glass safely in place.

**Note:** 2-Light socket with this lighting for installation is the same as 3-Light one.

