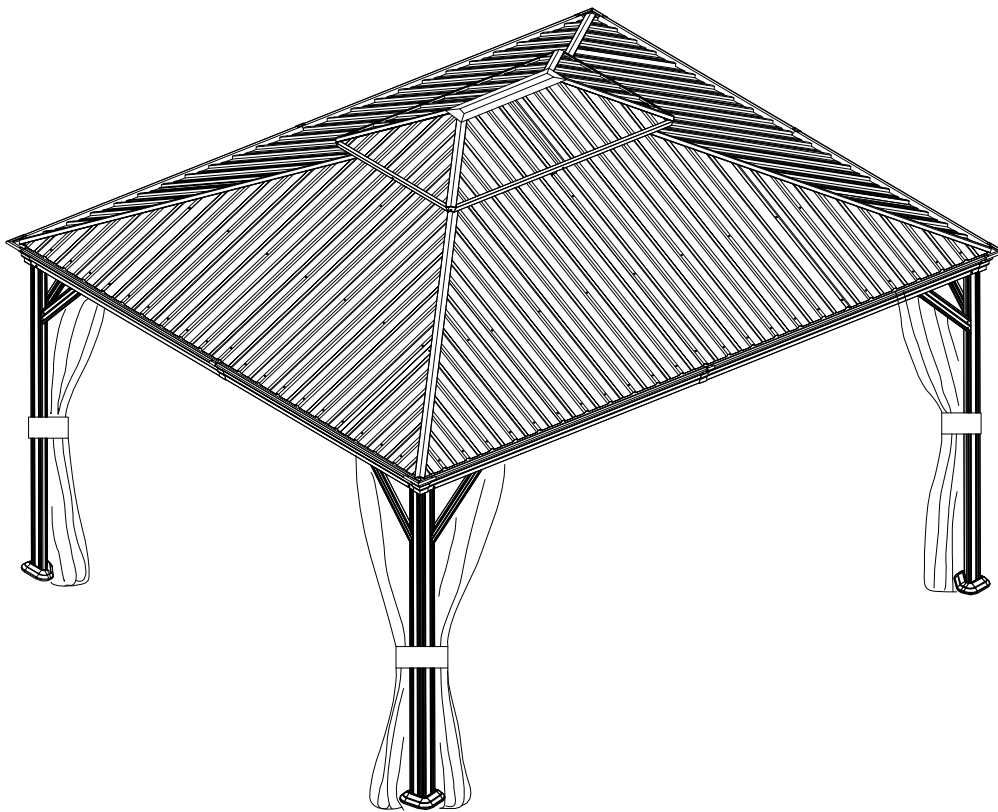




10'x14' Metal Patio Gazebo with Resin Roof **ASSEMBLY MANUAL**



MODEL#:LGMZ1716

Missing part? Damaged? Contact us via email at

service@domioutdoorliving.com

www.domioutdoorliving.com

Pre-assembly



1. Two or more people are required for assembly.



2. You will need one or more stepladders.



3. Wearing protective gloves is recommended.



4. You may need a safety hat.



5. Please use a Phillips screw driver.



6. For ease of construction, you may need a drill.



7. You may need a safety goggle.



8. Do not fully tighten screws prior to complete assembly.

Warning & Attention

-Try to assemble this product on the flat ground, otherwise it is difficult to carry out;

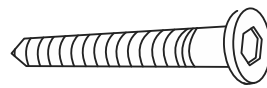
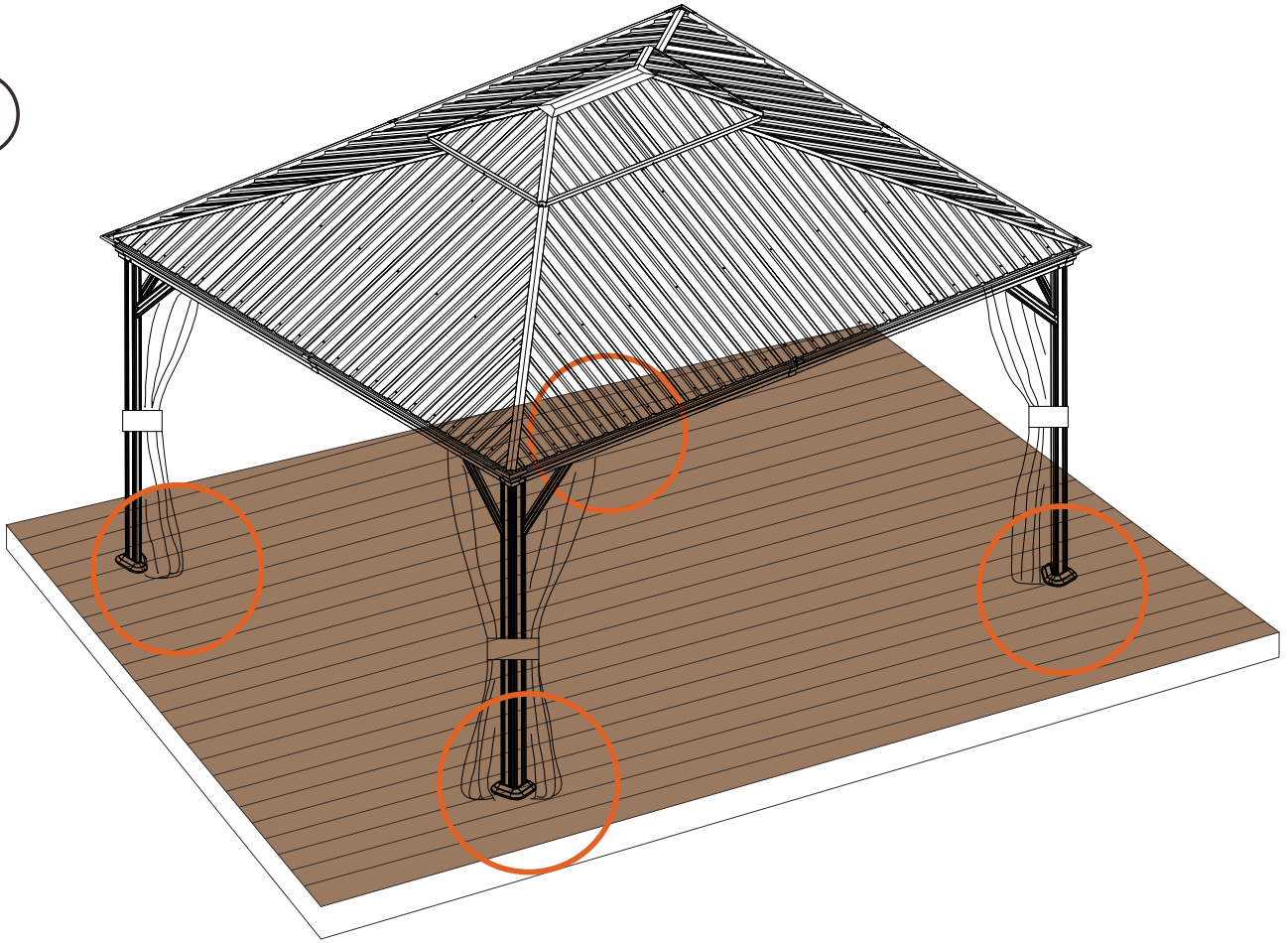
-It would be much easier to assemble the product with three or more people;

-After assembly, please check whether all screws are tightened, to prevent parts from falling apart.

▲ Use bolts to secure the frame to the ground to against the strong wind.

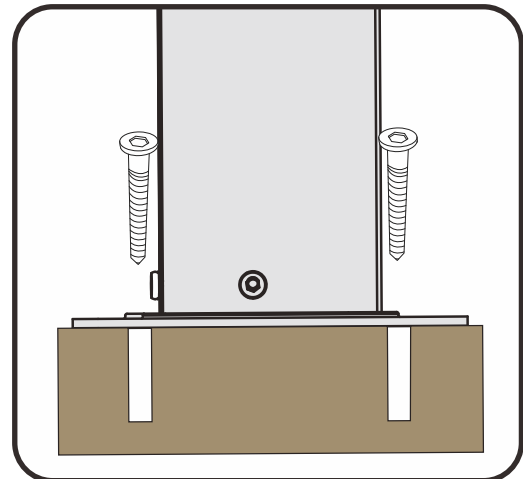
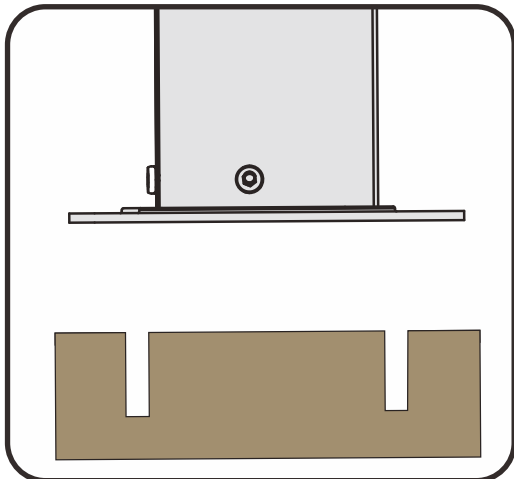
IMPORTANT: A gaze may entail to purchase a municipal permit or be subject to specific building codes. It is the consumer's responsibility to inform themselves of any restrictions.

1

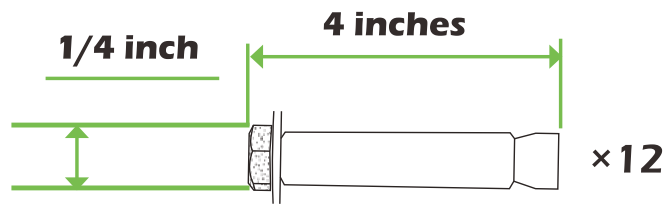
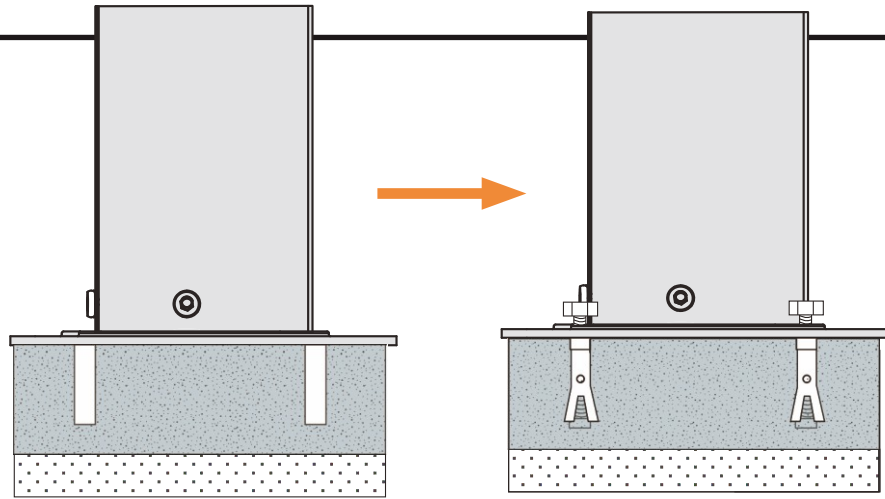


×12

If the deck is hard wood and the depth of it is over 3 inch, you can use **5/16 in. ×4 in. Structural Wood Screw** to mount the gazebo.

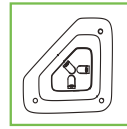
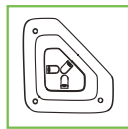
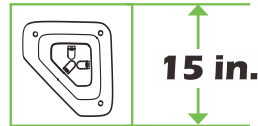
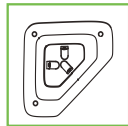


2



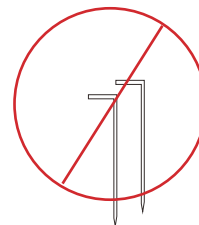
If the ground is concreted and the depth of it is over 3 inch, you can use 1/4 inch expansion bolts to mount the gazebo

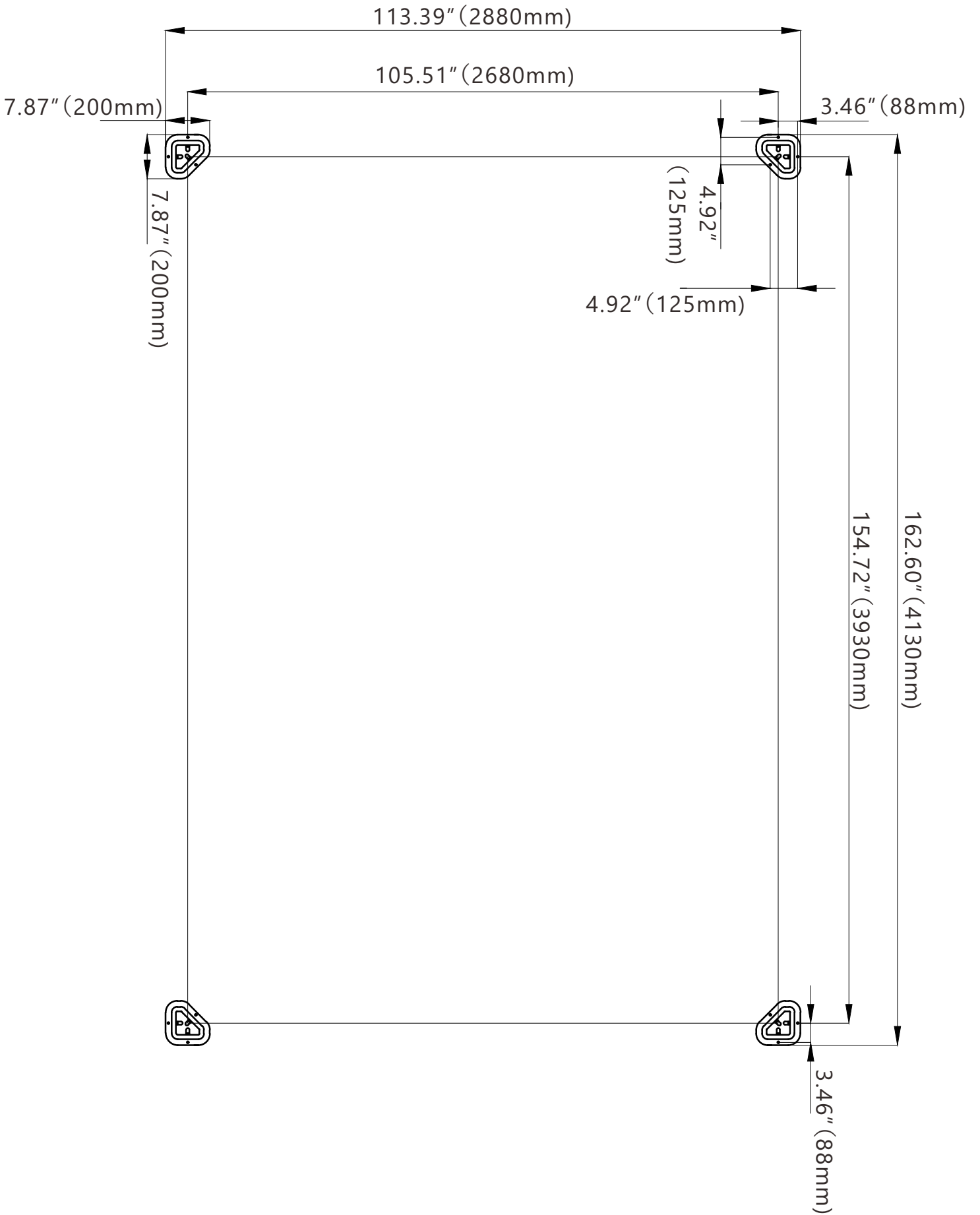
3

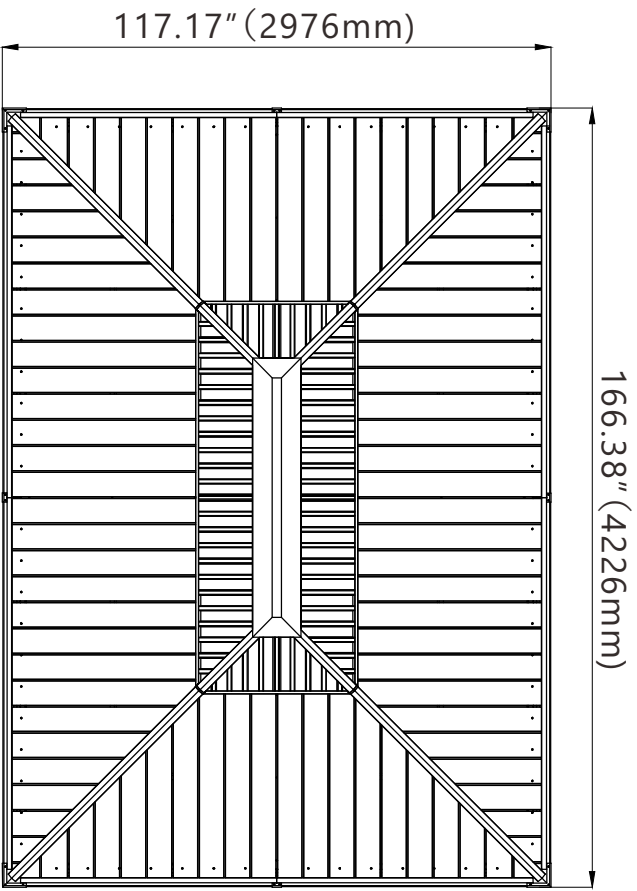
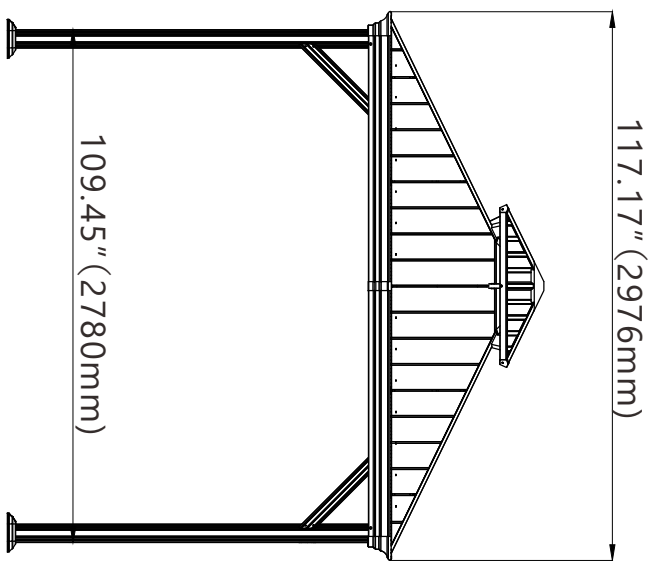
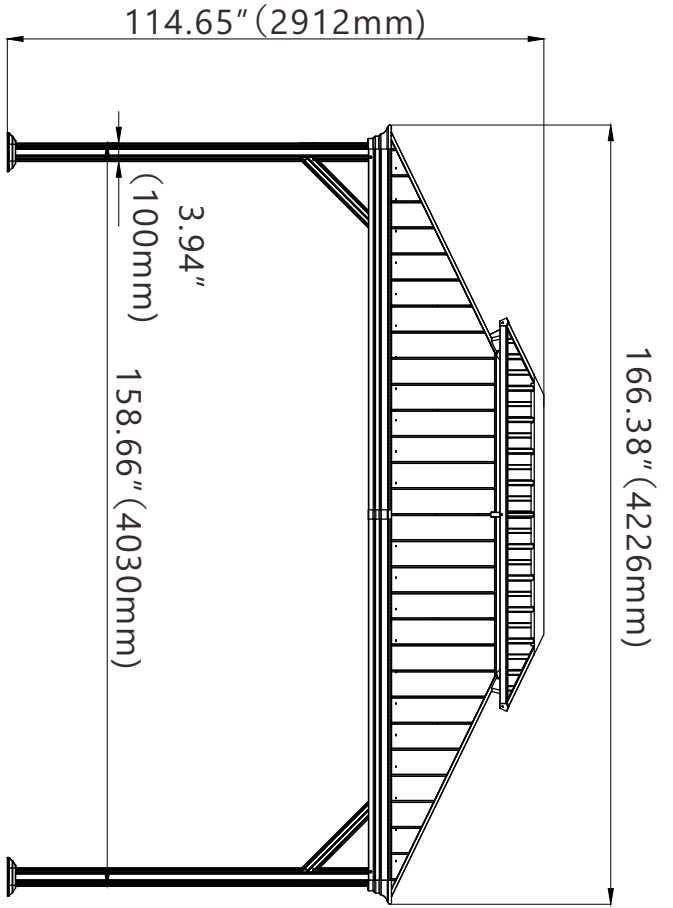



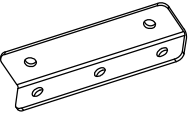
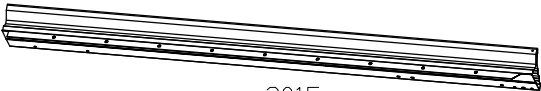


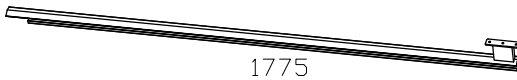



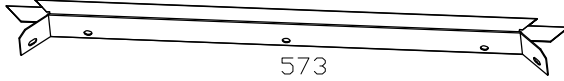


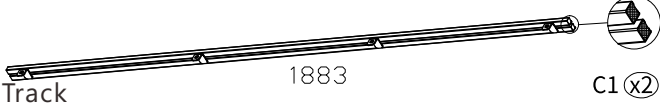
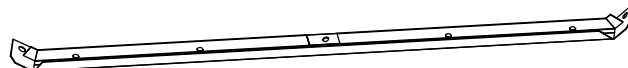
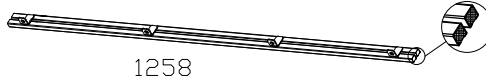


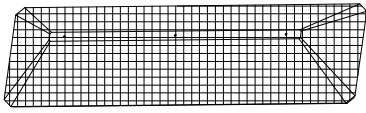

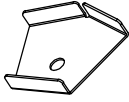
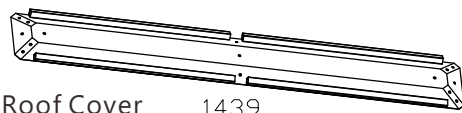

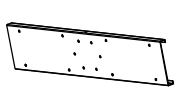
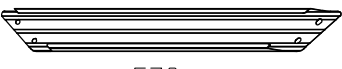

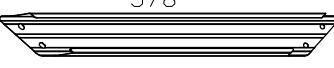

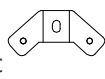
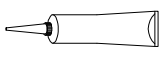
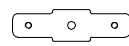

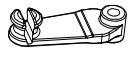

Or you can make a concrete footing for gazebo, **15×15×15 inches** is recommended. use expansion bolts to mount the pergola like ② shows.

IMPORTANT:
Anchor is not recommended







 Pole 2080 A (x4)	 Bracket K2 (x8)
 Beam 2015 B (x2)	 Corner Roof Tube Connector L (x4)
 Beam 2015 B1 (x2)	 Corner Roof Tube L1 (x4)
 Beam 1390 B2 (x2)	 Roof Bar M (x4)
 Beam 1390 B3 (x2)	 Finishing Bar N (x2)
 Track 1883 C (x2)	 Finishing Bar N1 (x2)
 Track 1883 C1 (x2)	 Finishing Bar O1 (x2)
 Track 1258 C2 (x2)	 Finishing Bar O2 (x2)
 Track 1258 C3 (x2)	 Small Mesh P (x1)
 Outside Roof Cover 1515 D (x1)	 Finishing End Q (x8)
 Inside Roof Cover 1439 D1 (x1)	 J-Hook R1 (x3)
 Union Bar 600 E (x4)	 Corner Solidifying Bar 578 J1 (x4)
 Corner Cover F (x4)	 Corner Solidifying Bar 578 J2 (x4)
 Joint Cover G (x4)	 Bracket U3 (x4)
 Silicone Sealant H (x1)	 Bracket U4 (x4)
 Base K (x4)	 Plastic Hooks 4# x112
 Base Cover K1 (x4)	

Metal Roof Panel

418 V1 (x2) 418 V2 (x2) 418 V3 (x2) 418 V4 (x4) 418 V5 (x2)

Resin Roof Panel

W1 (x2) W2 (x2) W3 (x2) W4 (x2) W5 (x2) W6 (x2)

Connecting Rods

Za (x4) Zb (x4) Zc (x4)

Resin Roof Panel

X1 (x2) X2 (x2) X3 (x2) X4 (x2) X5 (x2) X6 (x2) X7 (x2) X8 (x2)

Connecting Rods

Ze (x4) Zf (x4) Zg (x4)

Mosquito Netting Y1 (x2) Y2 (x2)

Strap Yb (x4)

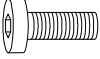
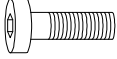

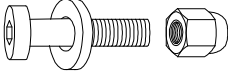
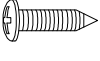
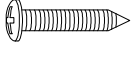
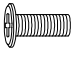
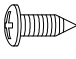
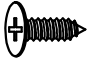
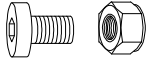
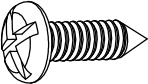
Curtain Y1a (x2) Y2a (x2)

Plastic Clips Z (x12) Z1 (x2) Z2 (x2)

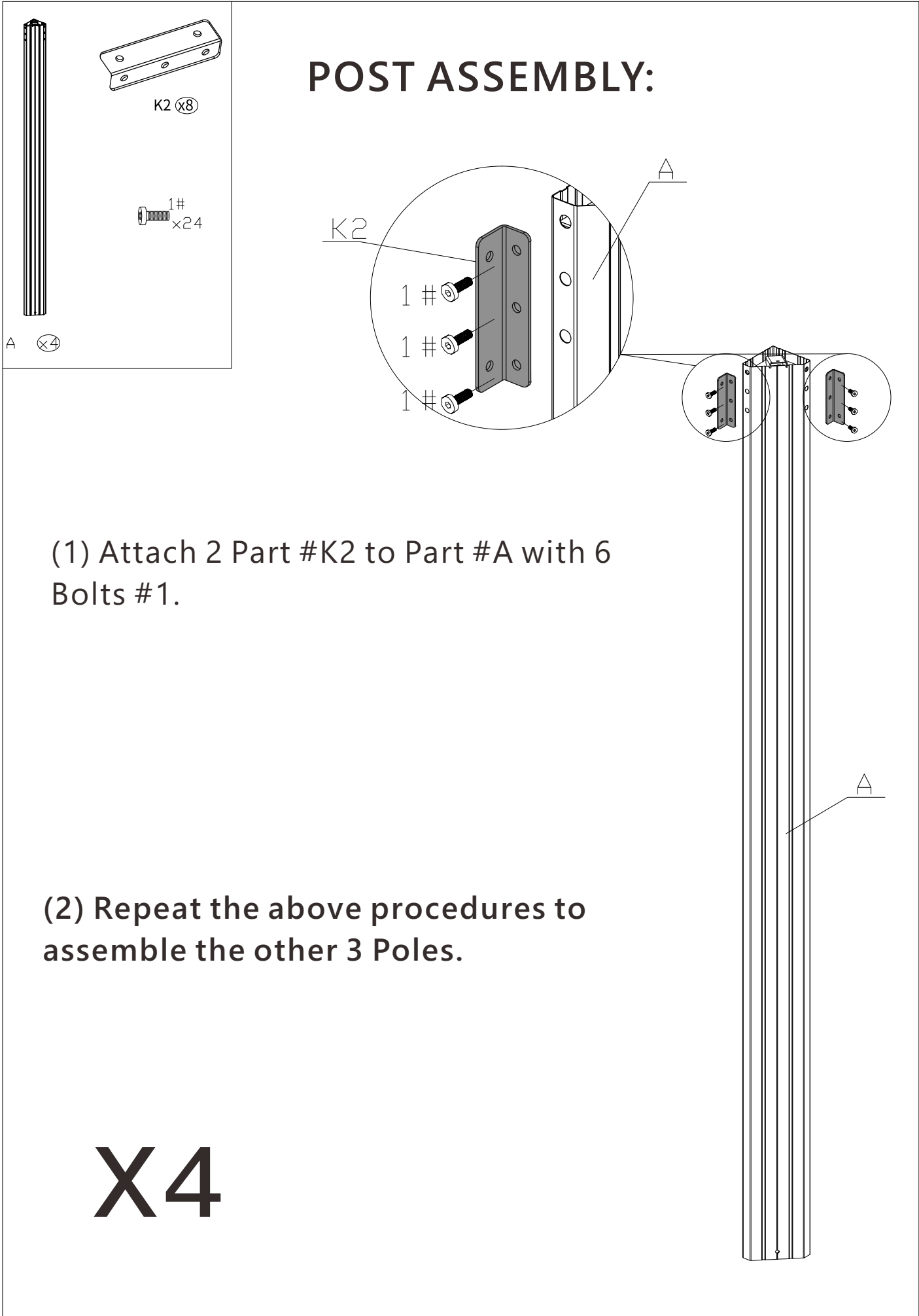
Wrench x1 x1 x1

Plastic Bar Pa (x2)

Plastic Bar Pb (x2)

	M6x16	1# x184		M6x20	2# x24
		3# x16		M6x28	5# x72
	ST4.8x30	6# x32		ST4.8x35	7# x64
	M5x16	8# x4		ST4.8x13	9# x24
	4x12	10# x16		M6x12	11# x12
	ST6.3*15	12# x12			

POST ASSEMBLY:



(1) Attach 2 Part #K2 to Part #A with 6 Bolts #1.

(2) Repeat the above procedures to assemble the other 3 Poles.

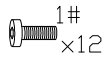
X4



K ⊗4



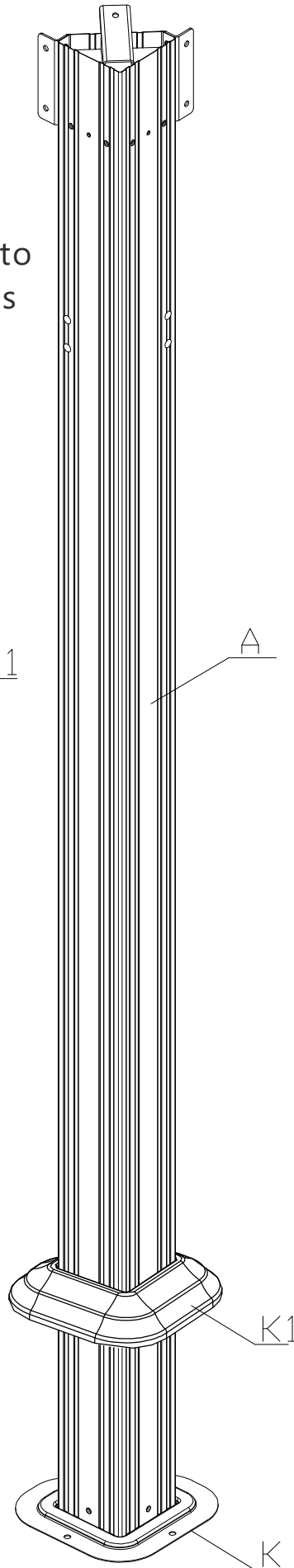
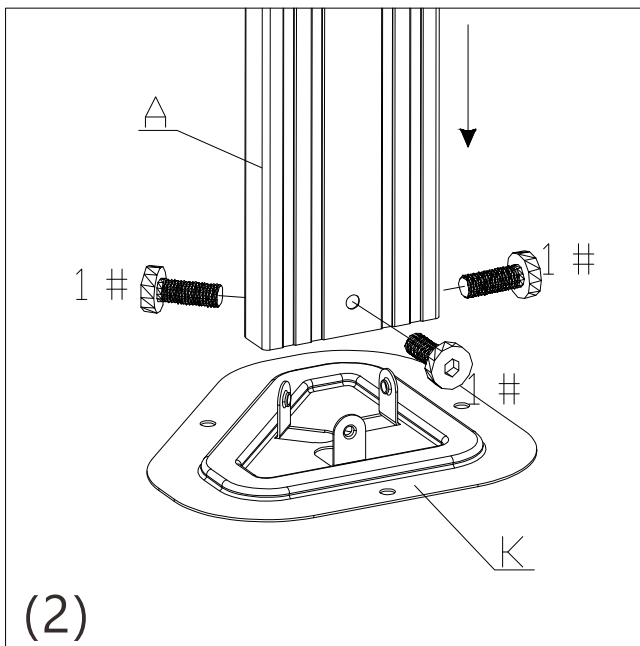
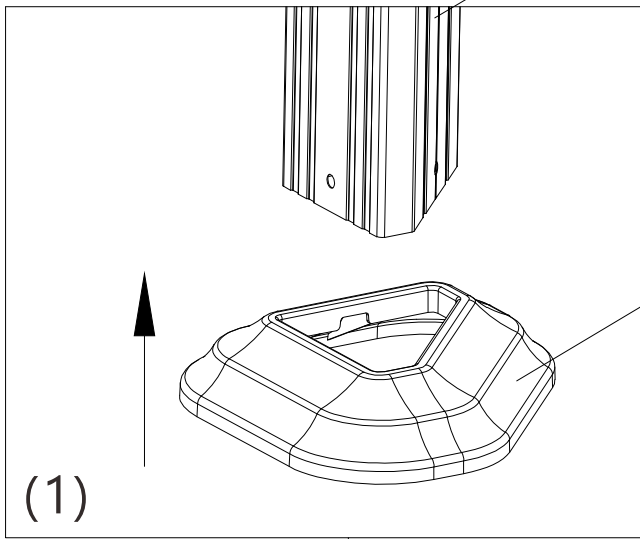
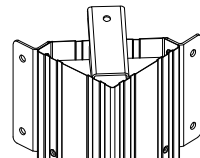
K1 ⊗4



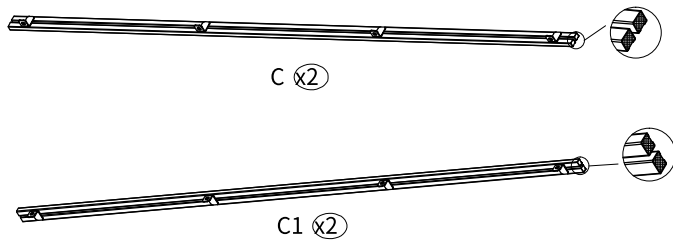
1#
x12

(1) Put on Base
Cover #K1 first

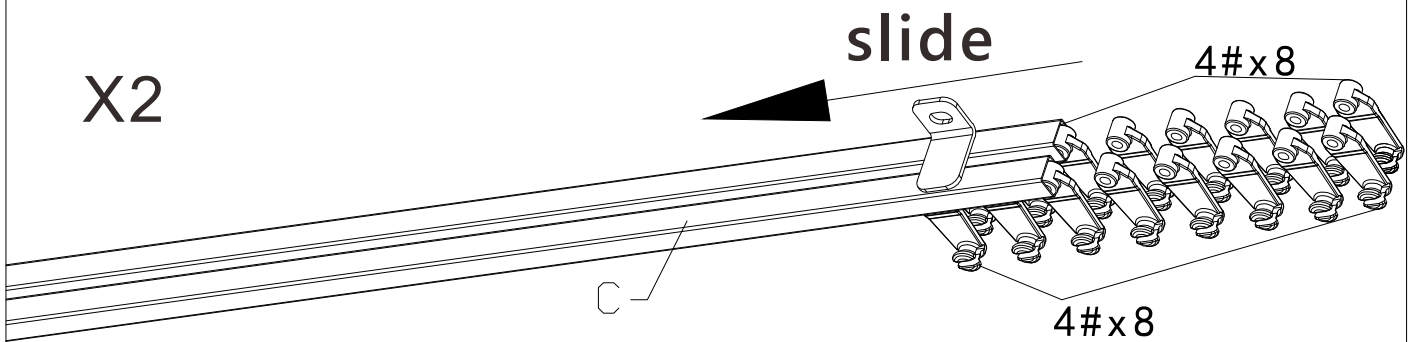
(2) Attach Base #K to
Pole #A with 3 Bolts
#1.



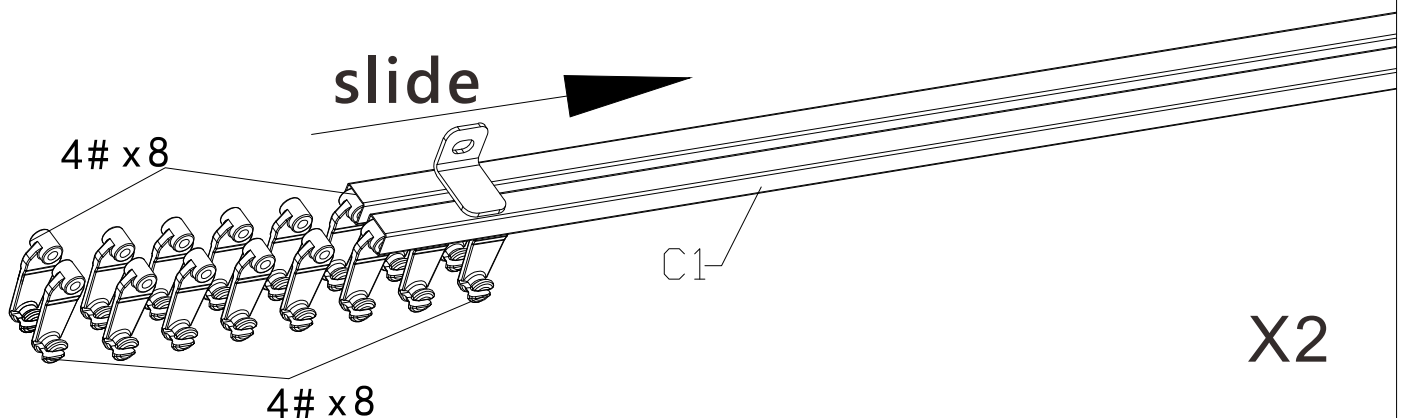
X4

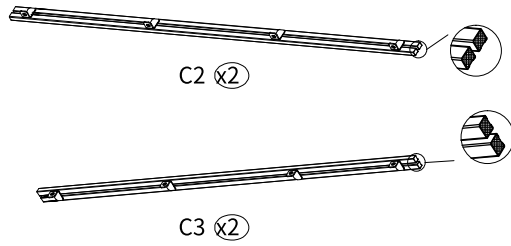


- (1) Slide the Plastic Hooks #4 to the double-rail track #C (each slot should slide 8 plastic hooks).
- (2) Repeat the above procedures for the another track #C.

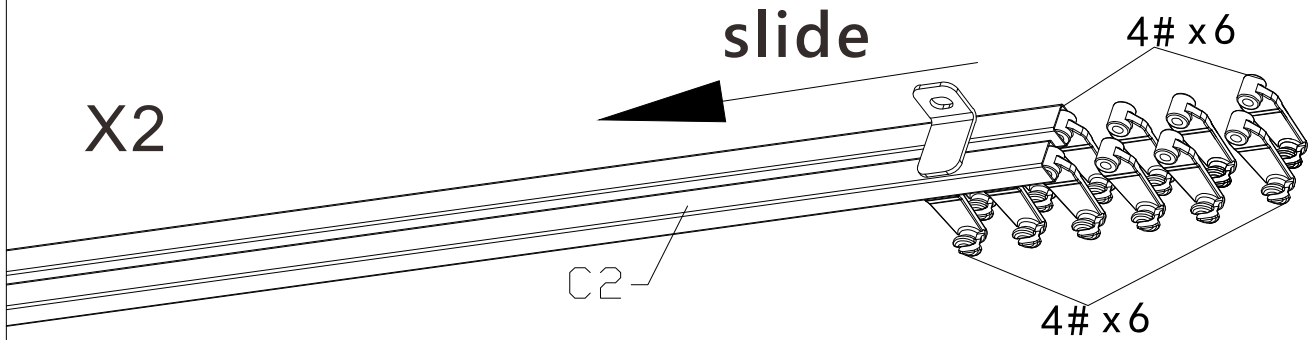


- (1) Slide the Plastic Hooks #4 to the double-rail track #C1 (each slot should slide 8 plastic hooks).
- (2) Repeat the above procedures for the another track #C1.

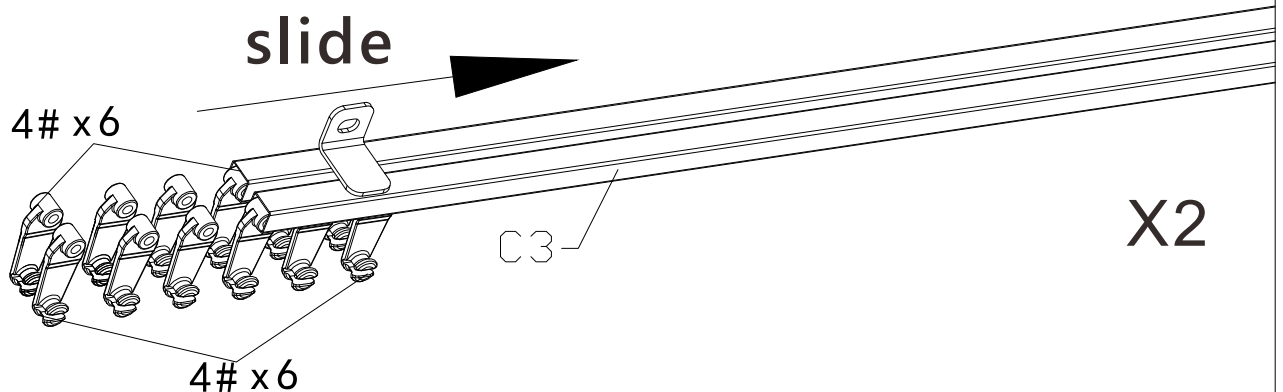


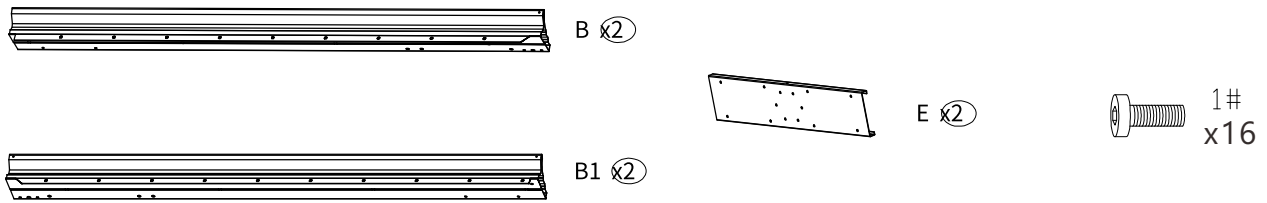


- (1) Slide the Plastic Hooks #4 to the double-rail track #C2 (each slot should slide 6 plastic hooks).
- (2) Repeat the above procedures for the another track C2.

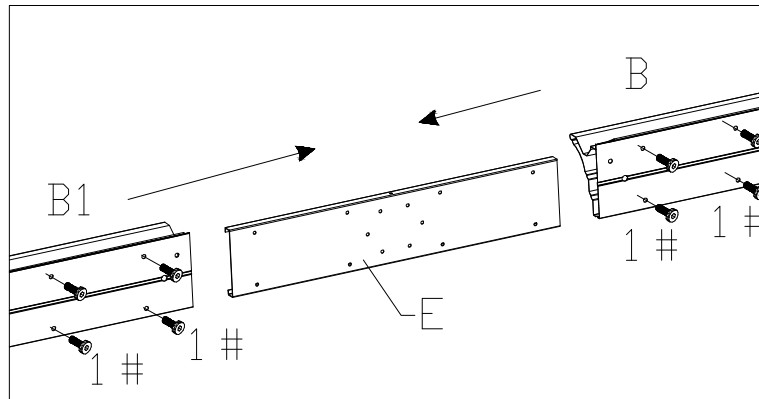


- (1) Slide the Plastic Hooks #4 to the double-rail track #C3 (each slot should slide 6 plastic hooks).
- (2) Repeat the above procedures for the another track C3.



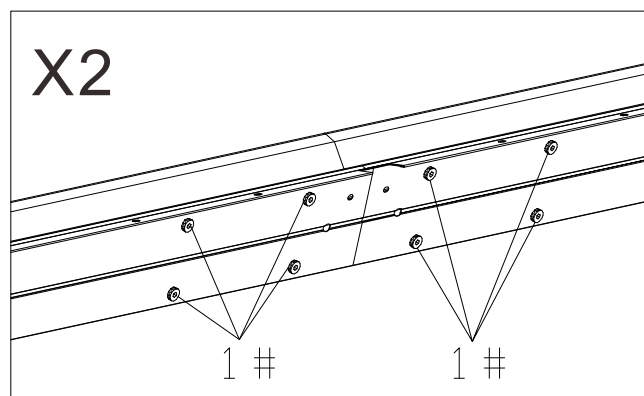


BEAM ASSEMBLY:



- (1) Insert Part #E into Part #B1, and secure with 4 Bolts #1.
- (2) Insert the other side of Part #E into Part #B and secure with 4 Bolts #1.

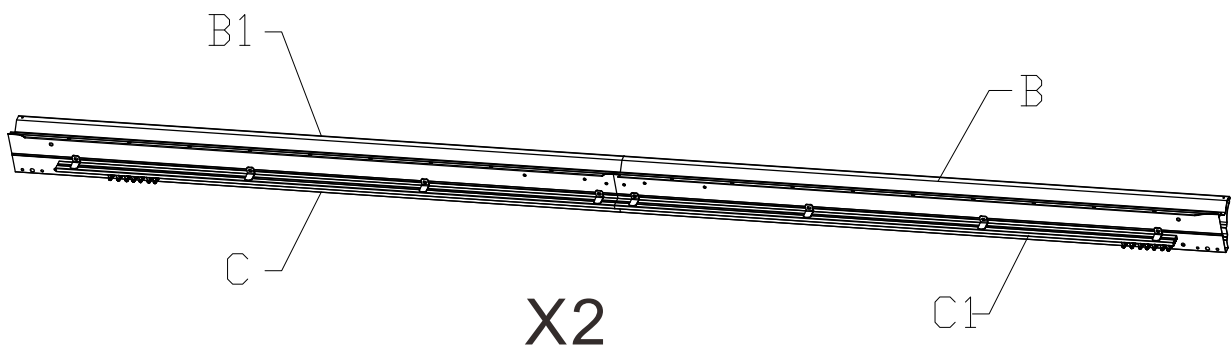
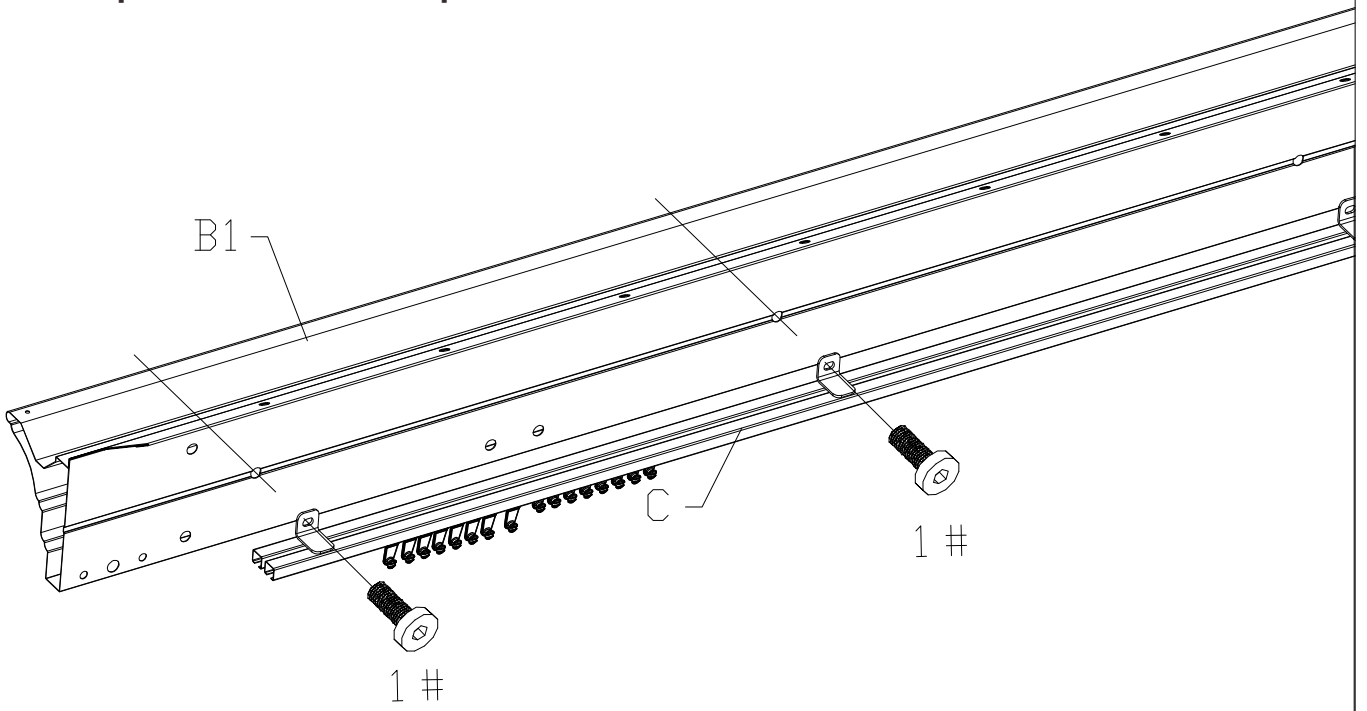
Repeat the above procedures to assemble the other Part #B1 and #B.

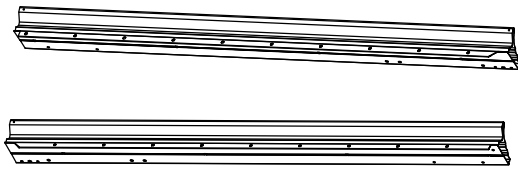


TIPS: It's a normal situation that there's a gap between the 2 beams, please use silicone sealant (part #H) and Joint Cover #G to affix the gap.(see P8)

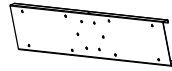
1#
x16

(1) Use 8 Bolts #1 to fix the track C & C1 to the beam B1 & B.
Repeat the above procedures for another beam B1 & B.

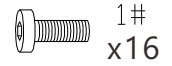




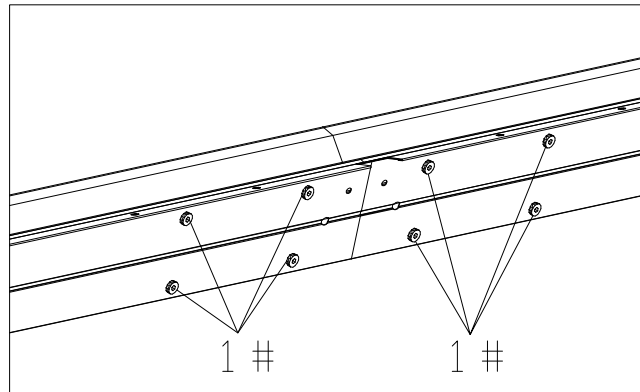
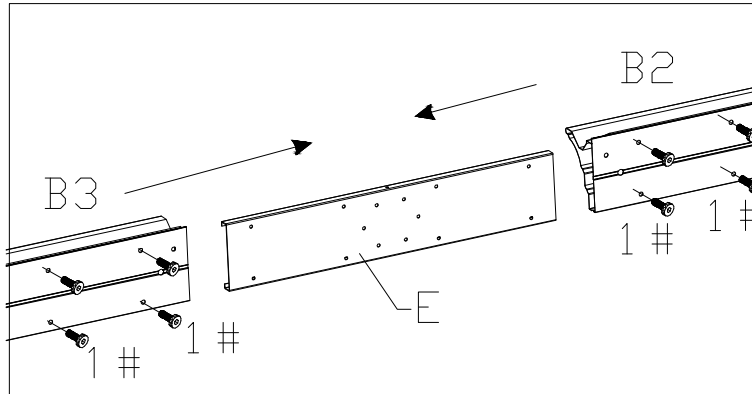
B2 x2



E x2



B3 x2

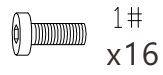


(1) Insert Part #E into Part #B3, and secure with 4 Bolts #1.

(2) Insert the other side of Part #E into Part #B2 and secure with 4 Bolts #1.

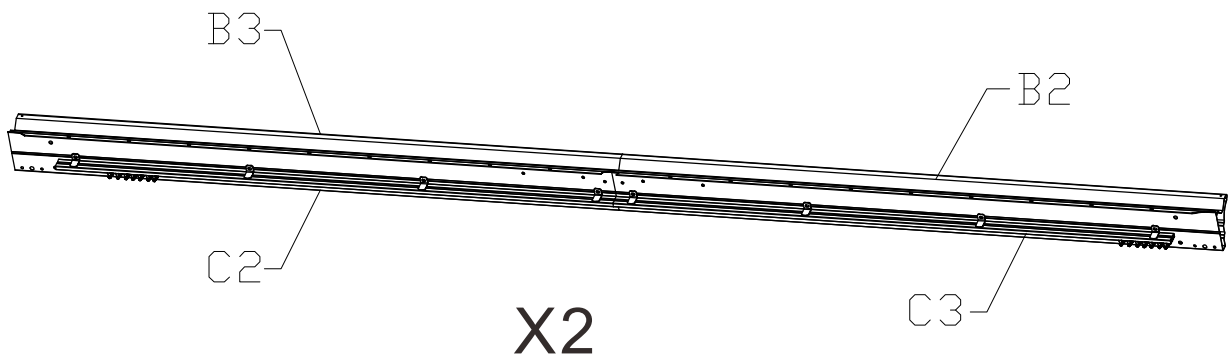
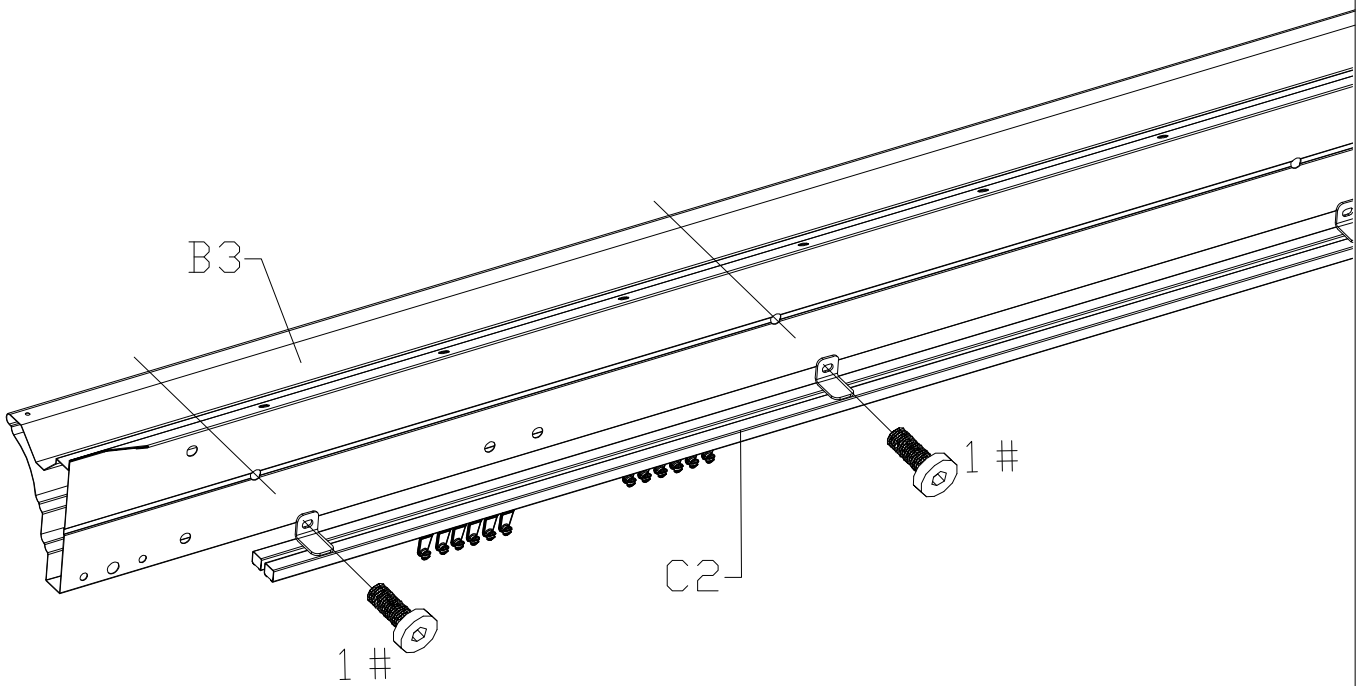
Repeat the above procedures to assemble the other Part #B3 and B2.

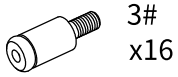
TIPS: It's a normal situation that there's a gap between the 2 beams, please use silicone sealant (part #H) and Joint Cover #G to affix the gap.(see P8)



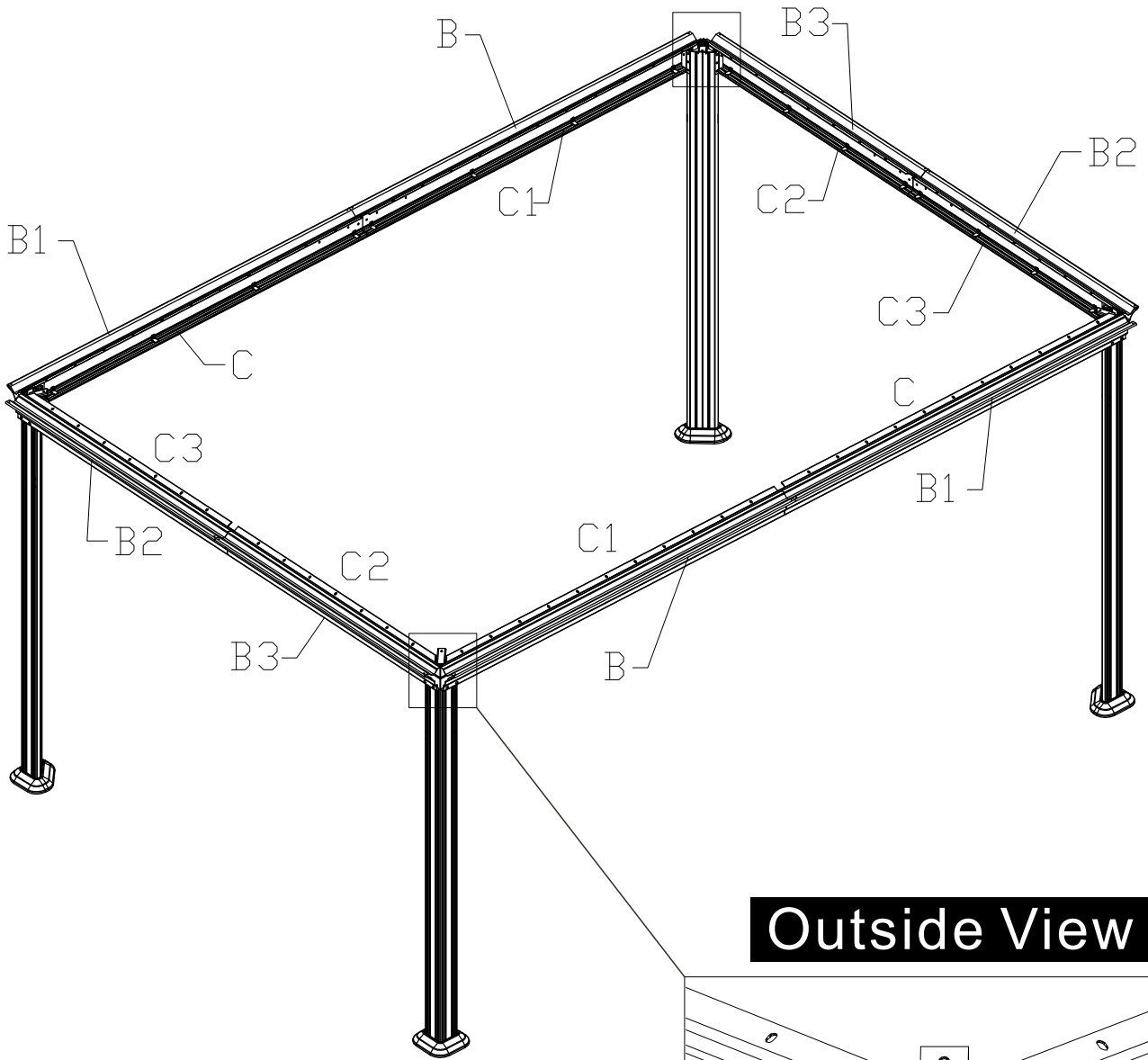
(1) Use 8 Bolts #1 to fix the track C2 & C3 to the beam B3 & B2.

Repeat the above procedures for another beam B3 & B2.

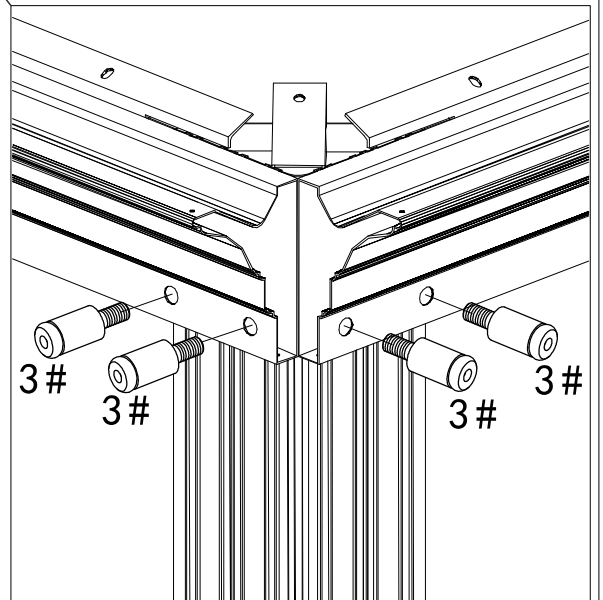




FRAME ASSEMBLY:



Outside View

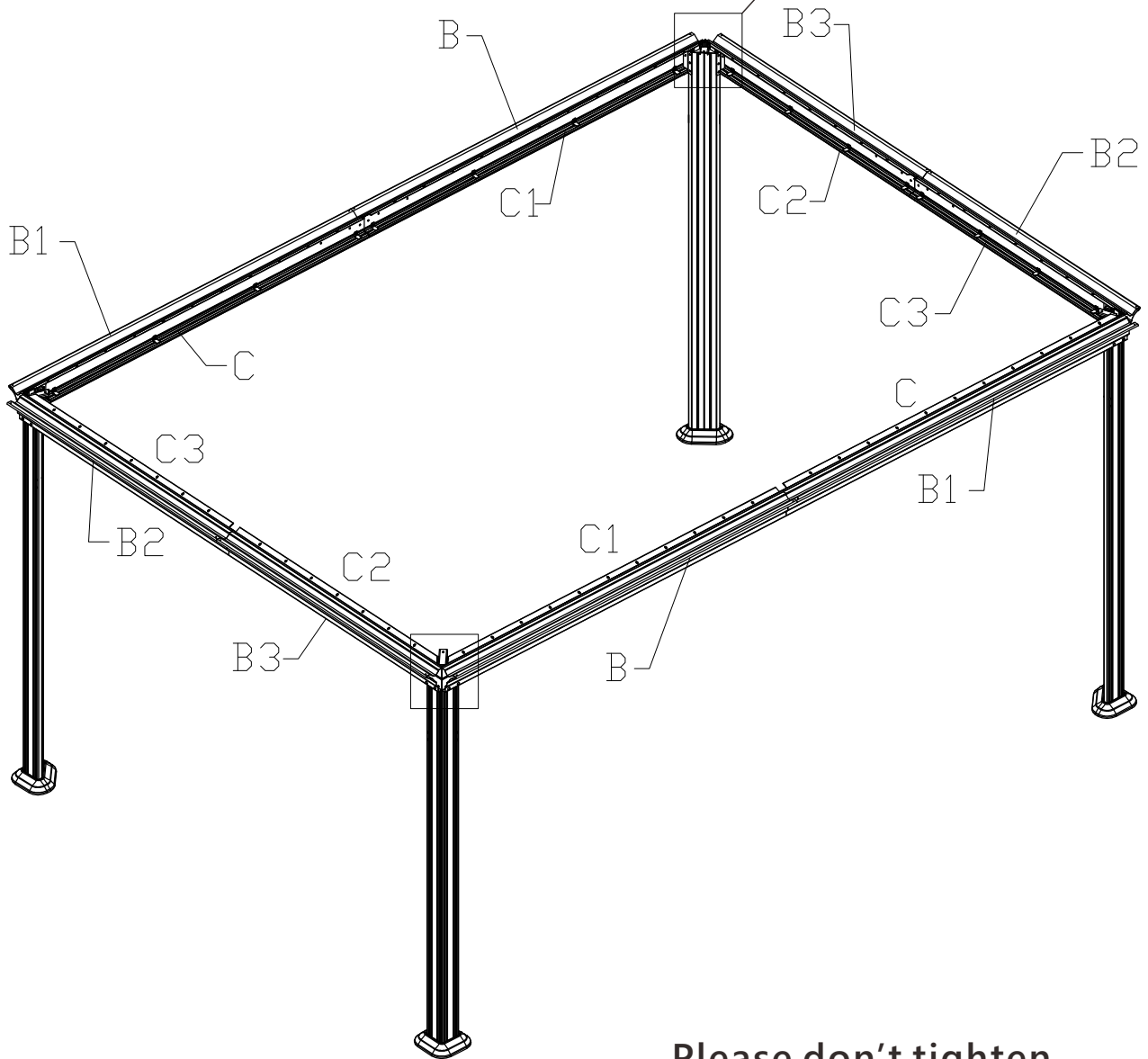
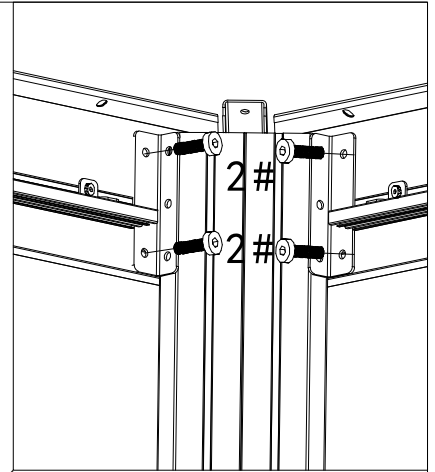


Please don't tighten
all bolts.

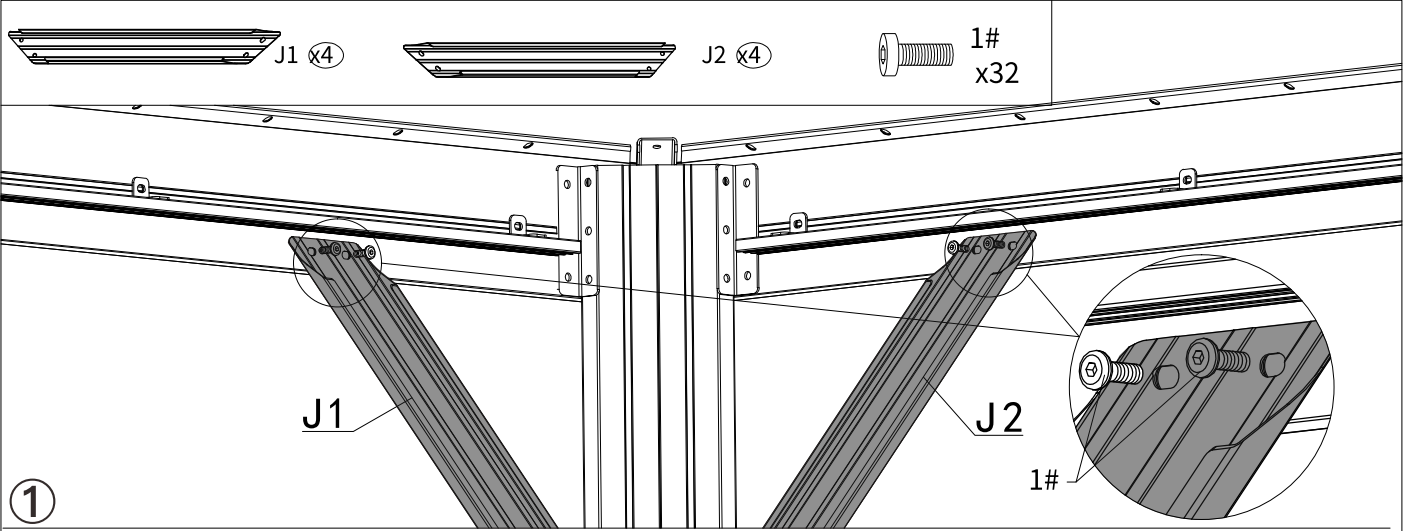


2#
x16

Inside View

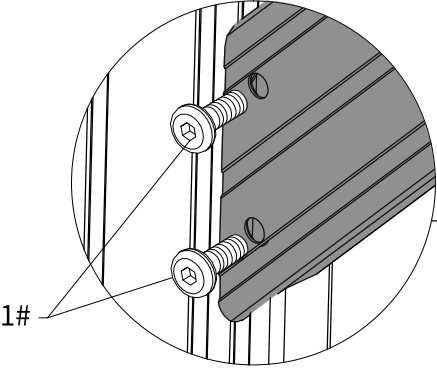
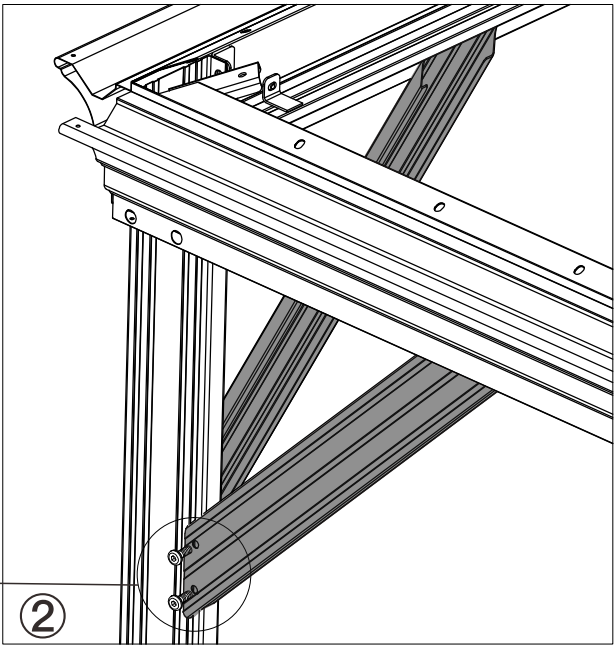
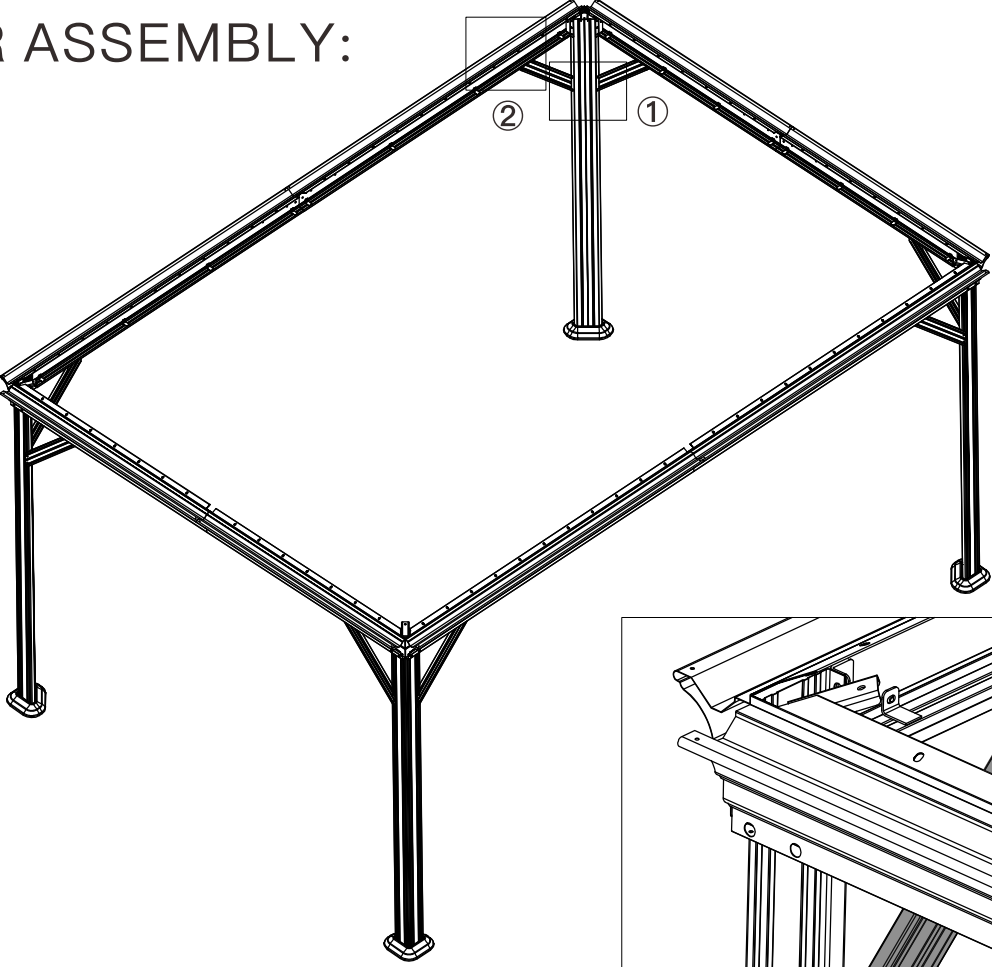


Please don't tighten
all bolts.



CORNER SOLIDIFYING
BAR ASSEMBLY:

Inside View



Outside View



F (x4)



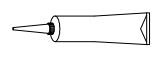
G (x4)



8#
x4

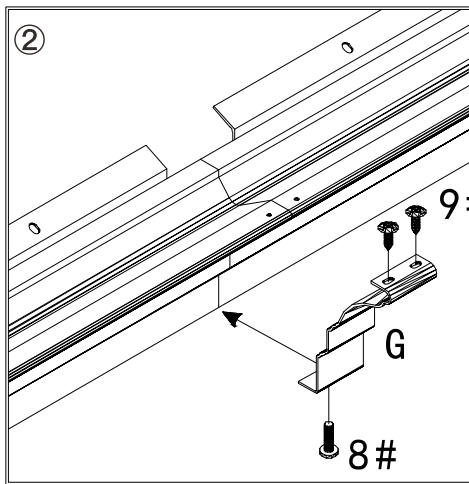
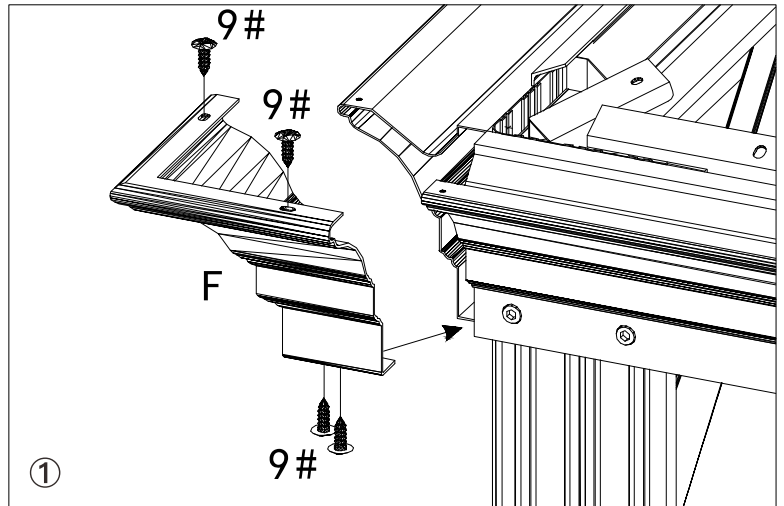
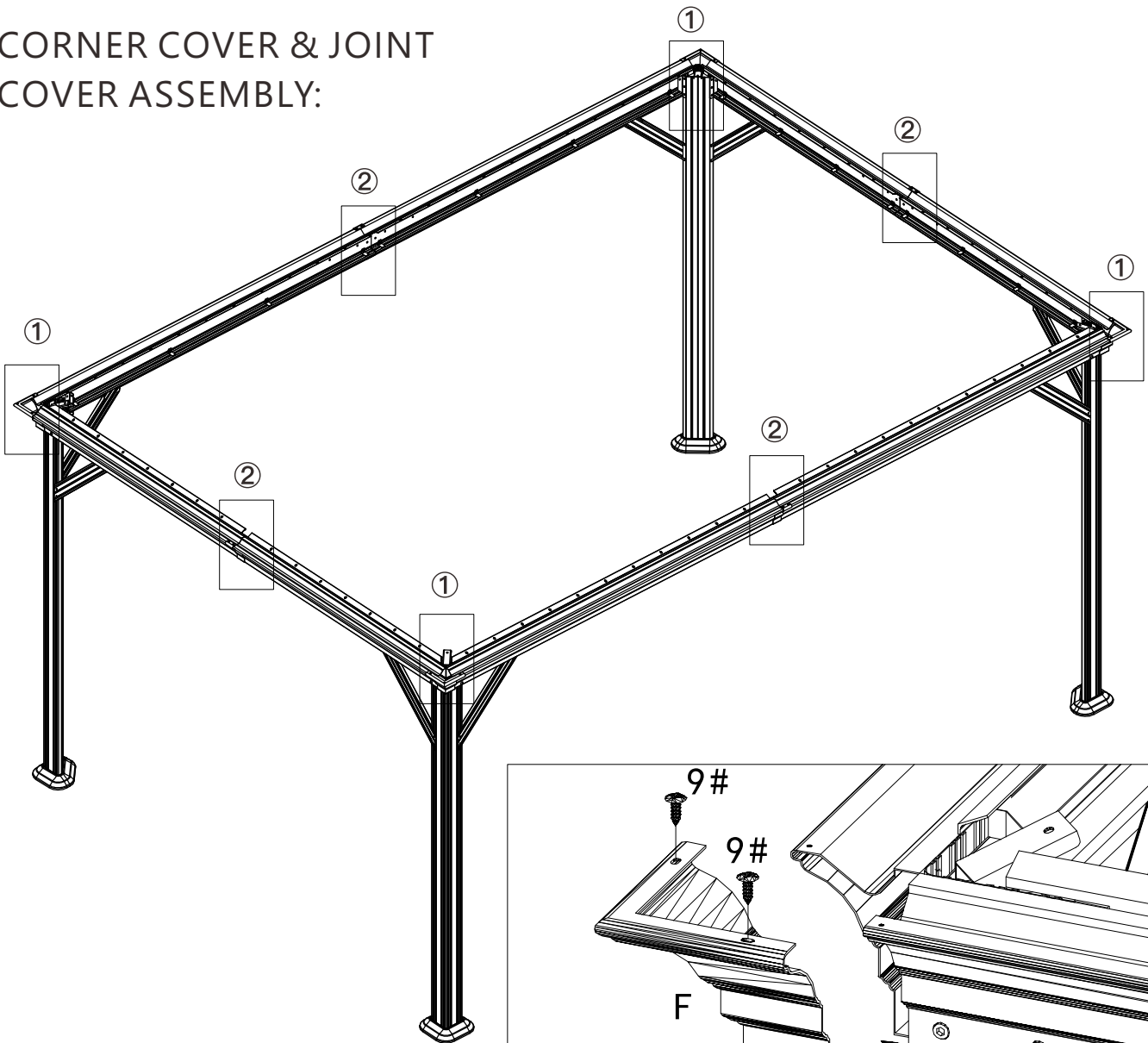


9#
x24

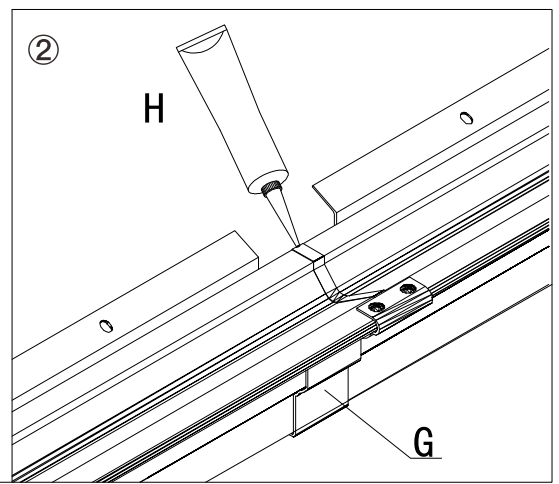


H (x1)

CORNER COVER & JOINT COVER ASSEMBLY:



Use 5mm silicone sealant (part #H) and Joint Cover #G to affix the gap.

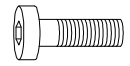




L x4

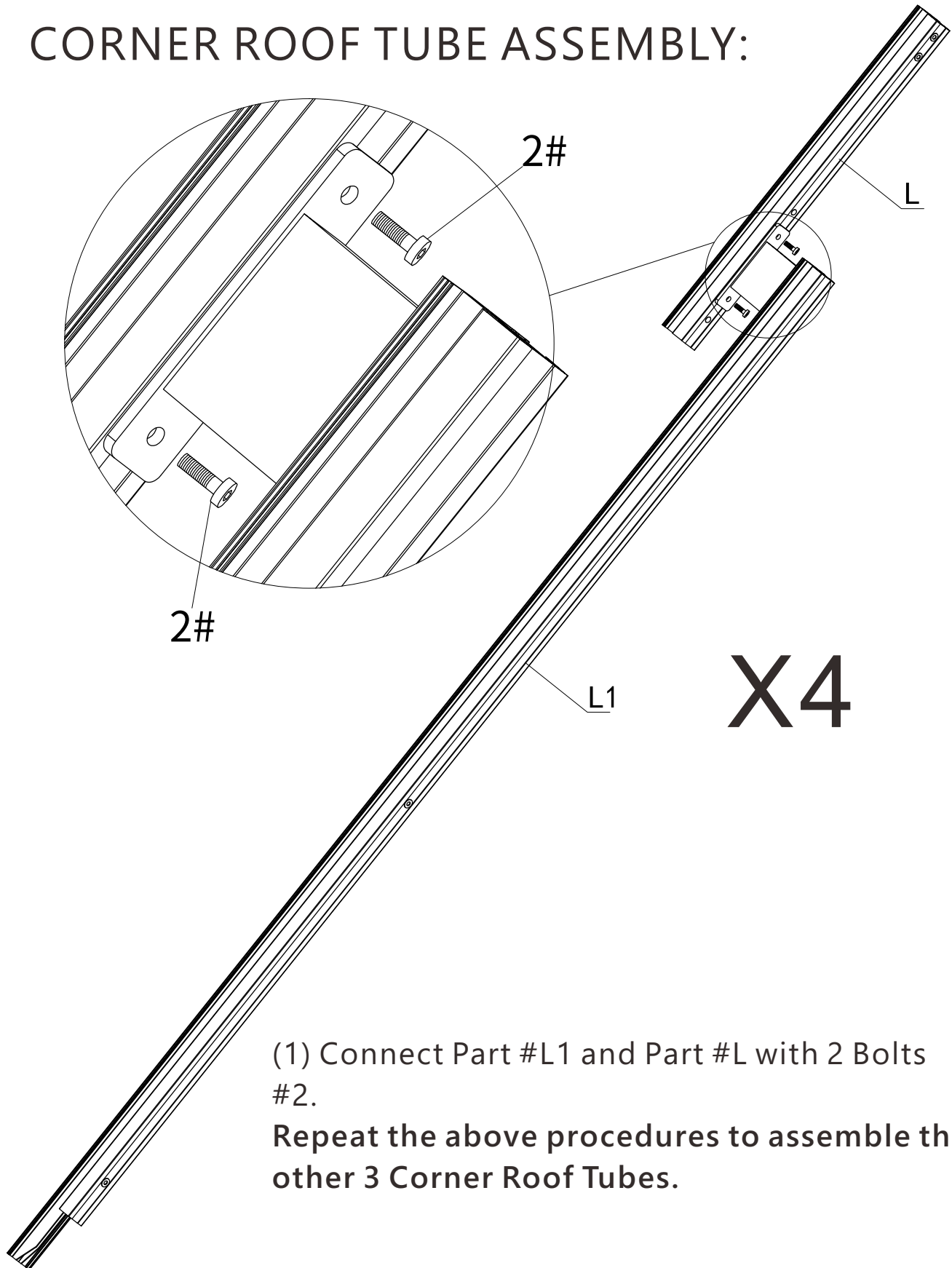


L1 x4



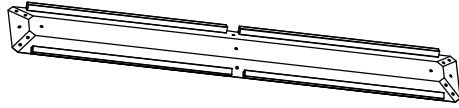
2#
x8

CORNER ROOF TUBE ASSEMBLY:



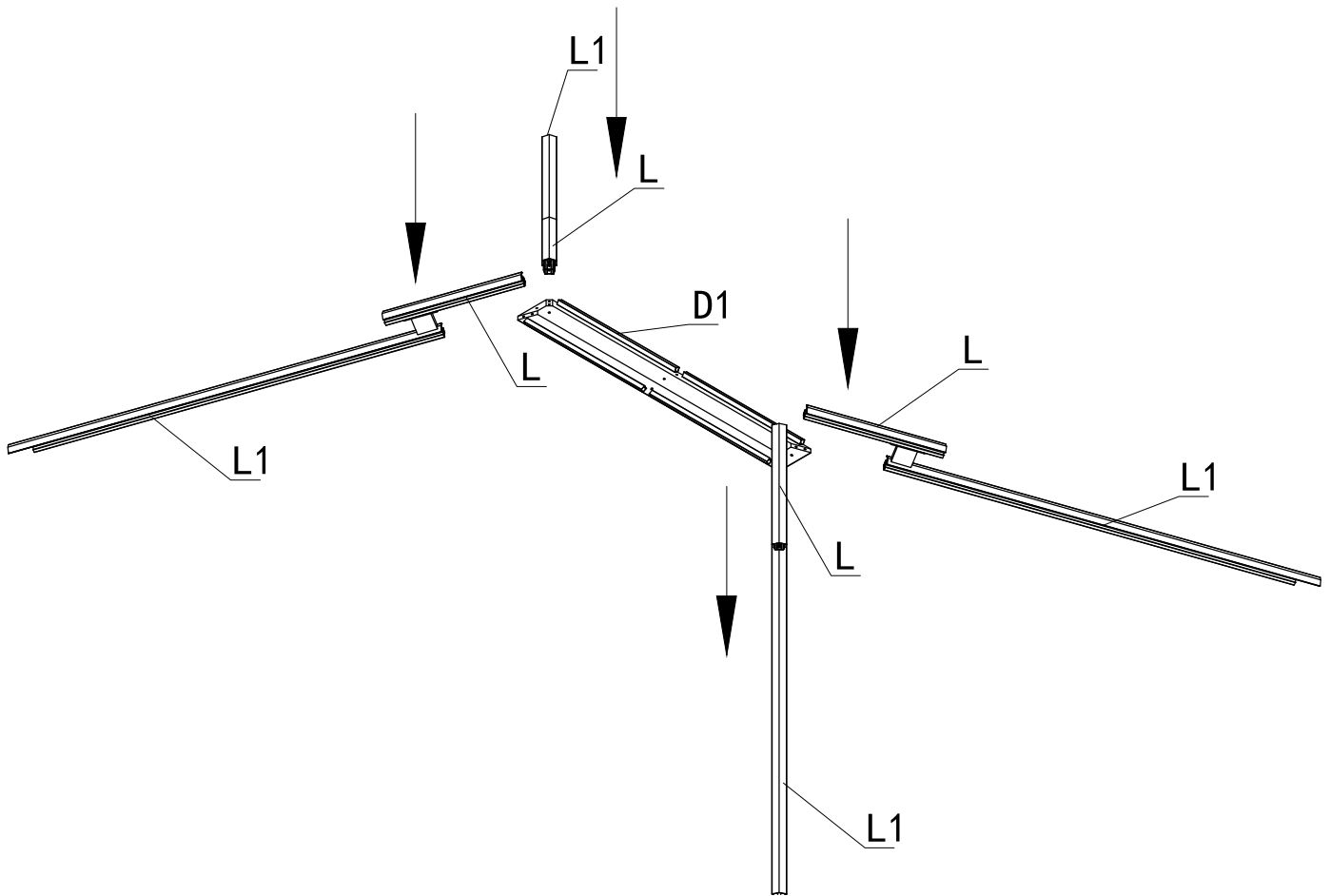
(1) Connect Part #L1 and Part #L with 2 Bolts #2.

Repeat the above procedures to assemble the other 3 Corner Roof Tubes.

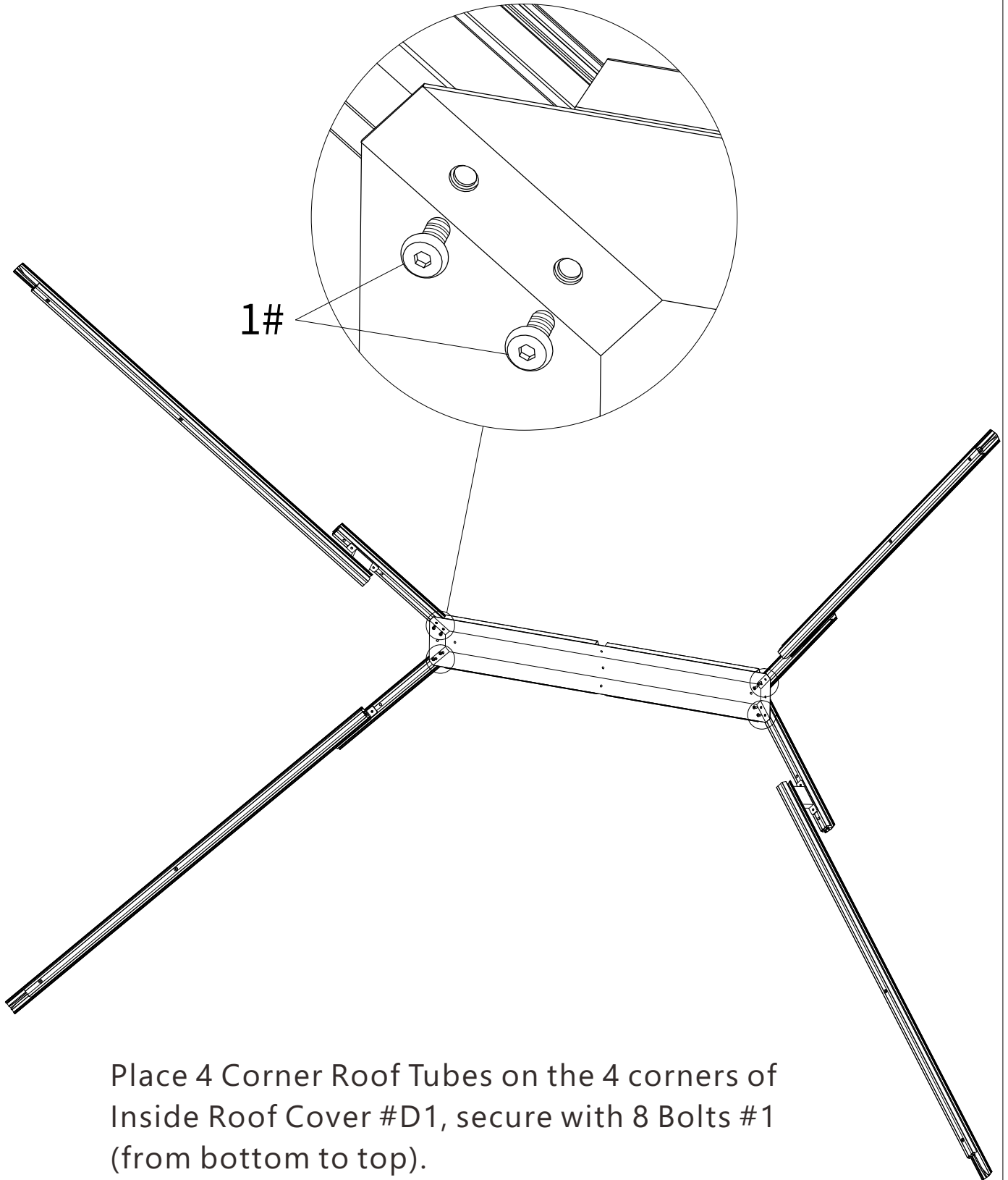


D1 x1

CORNER ROOF TUBE AND INSIDE ROOF CONNECTOR ASSEMBLY:

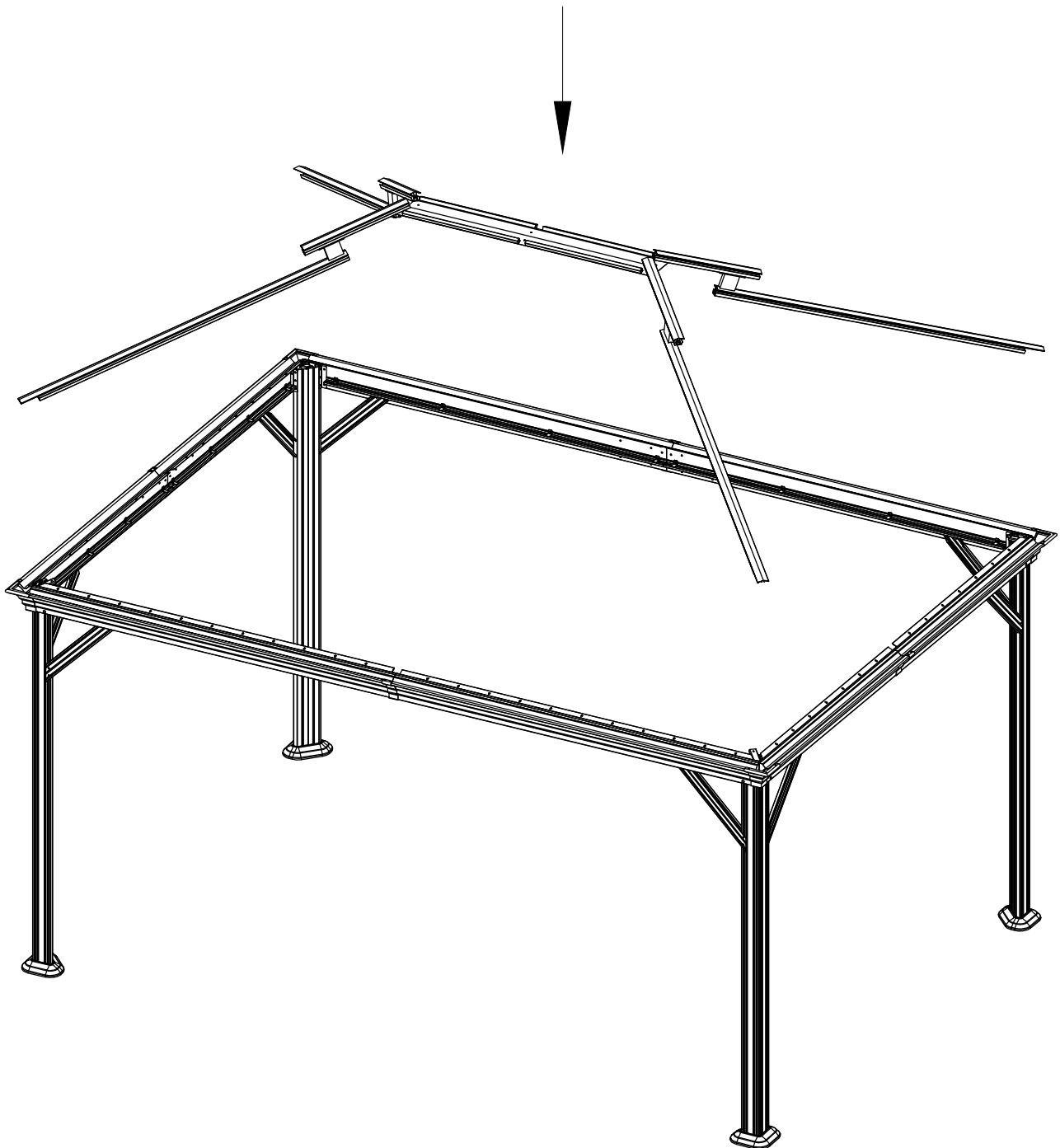


1#
x8



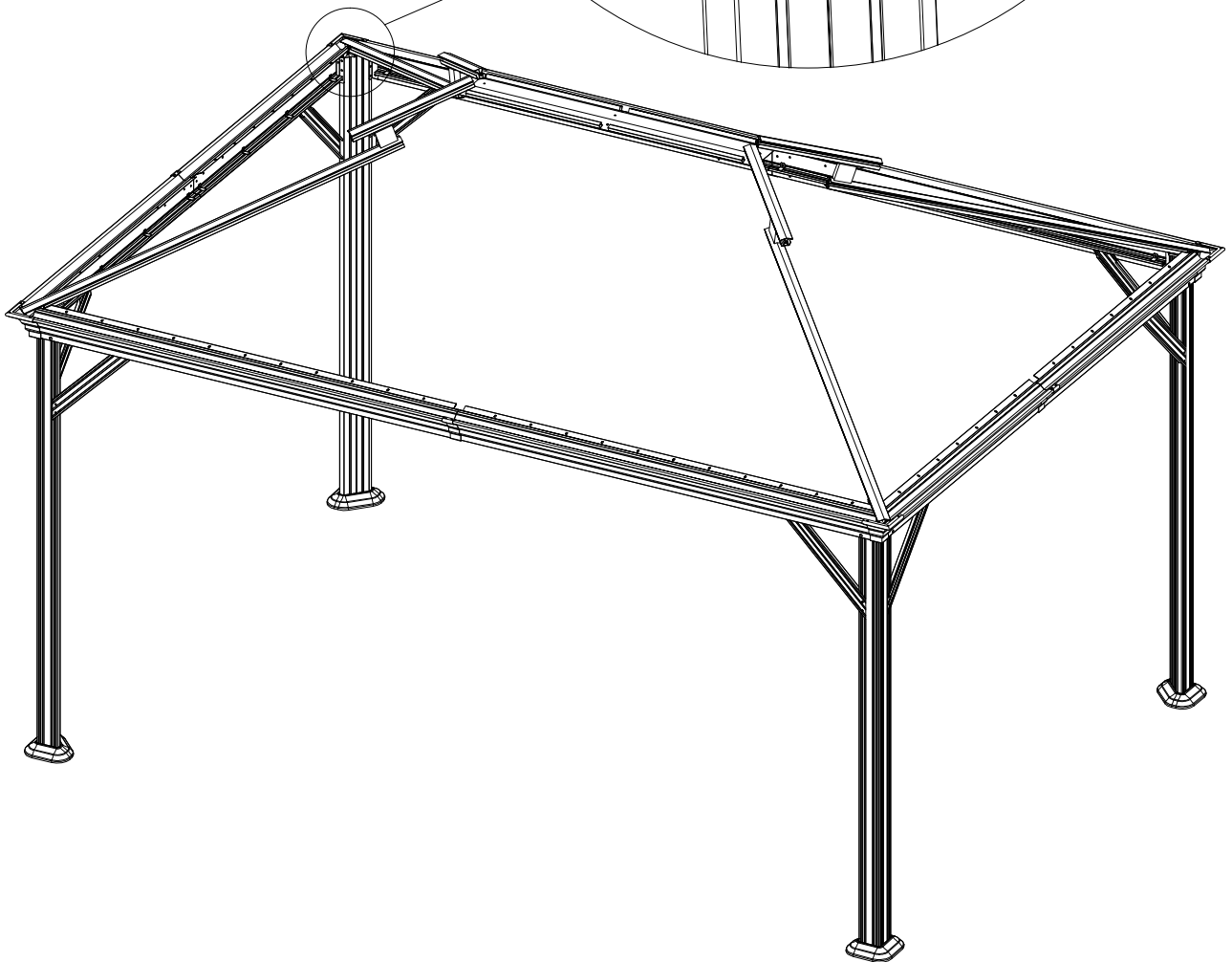
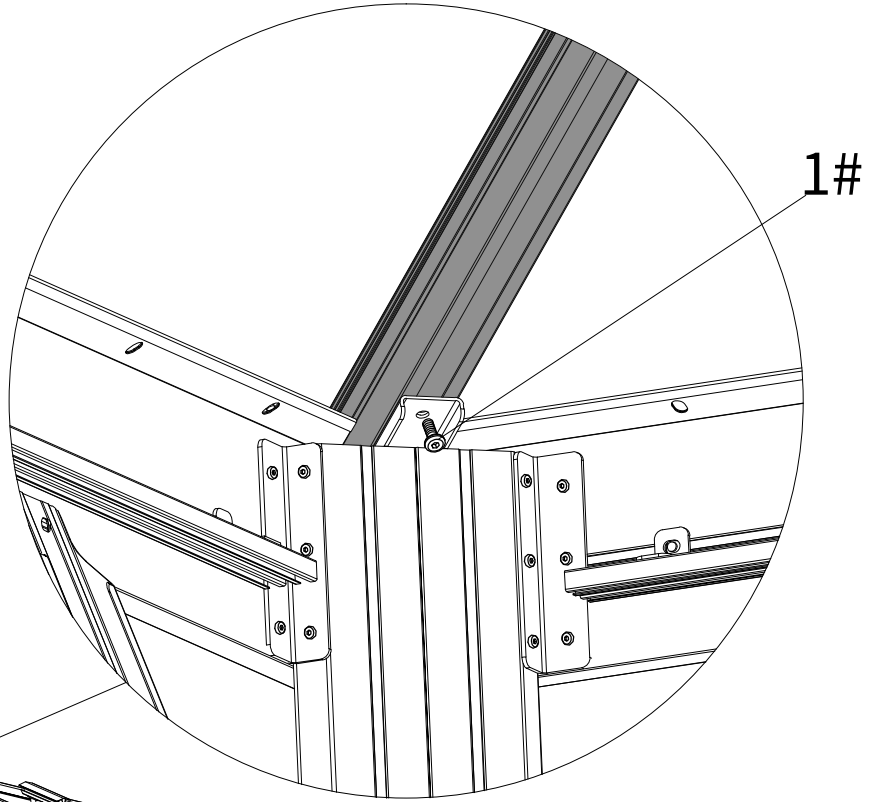
Place 4 Corner Roof Tubes on the 4 corners of Inside Roof Cover #D1, secure with 8 Bolts #1 (from bottom to top).

Lift 4 corner roof Tubes and inside roof connector to the top of the frame (You may need 2 people and 2 ladders).



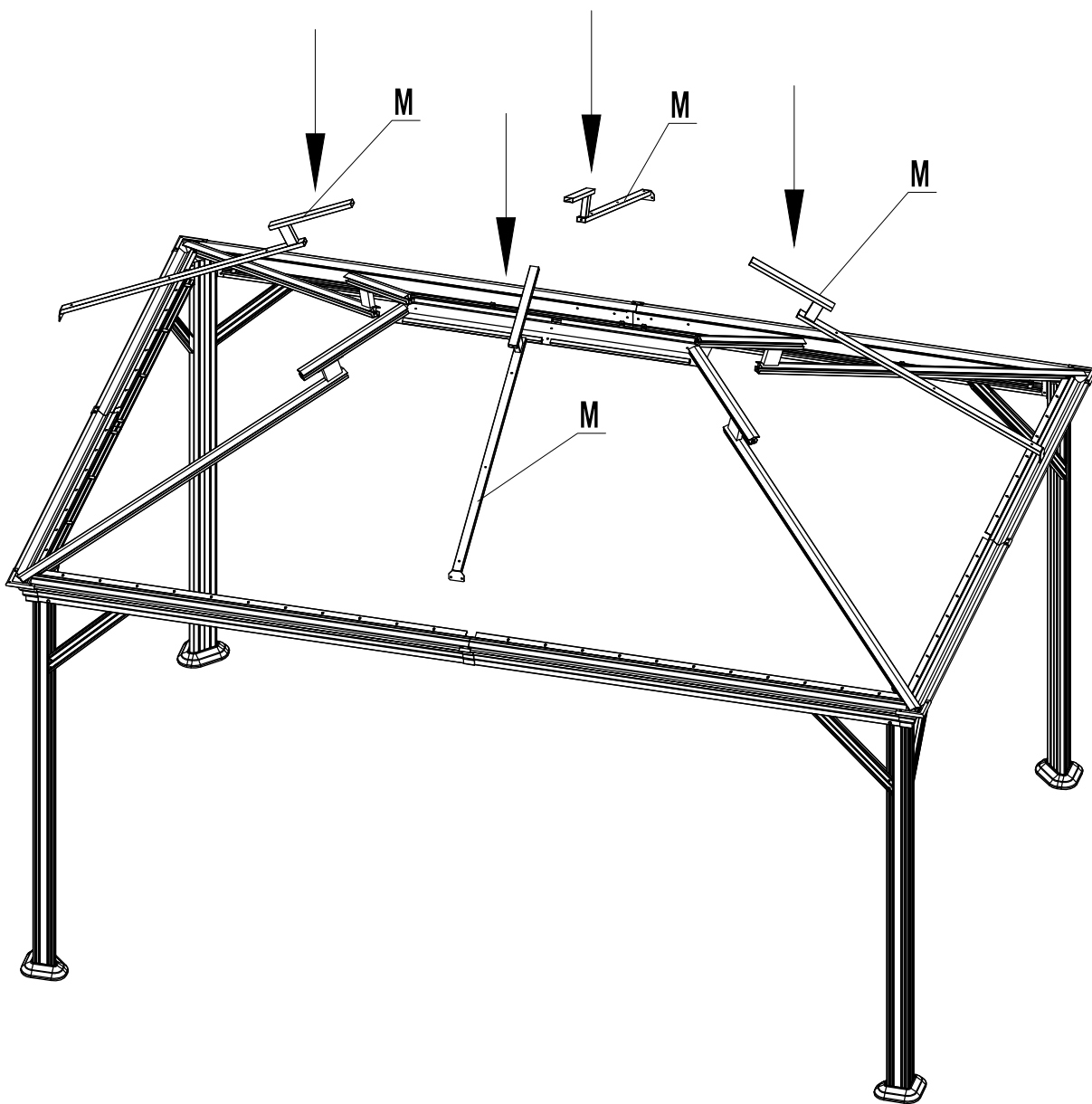
1#
×4

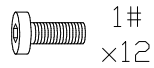
Inside View





M 8x4



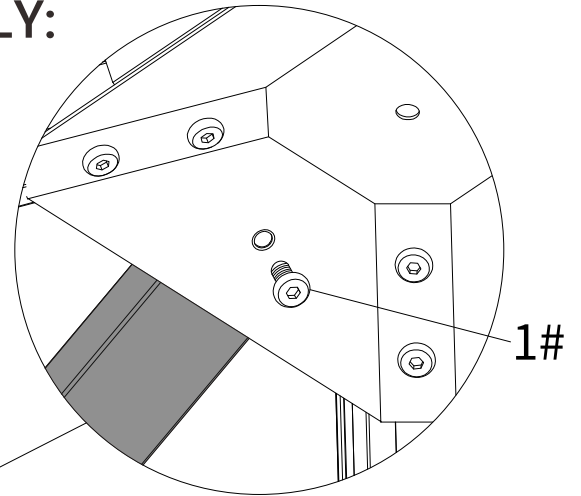


MIDDLE ROOF TUBE ASSEMBLY:

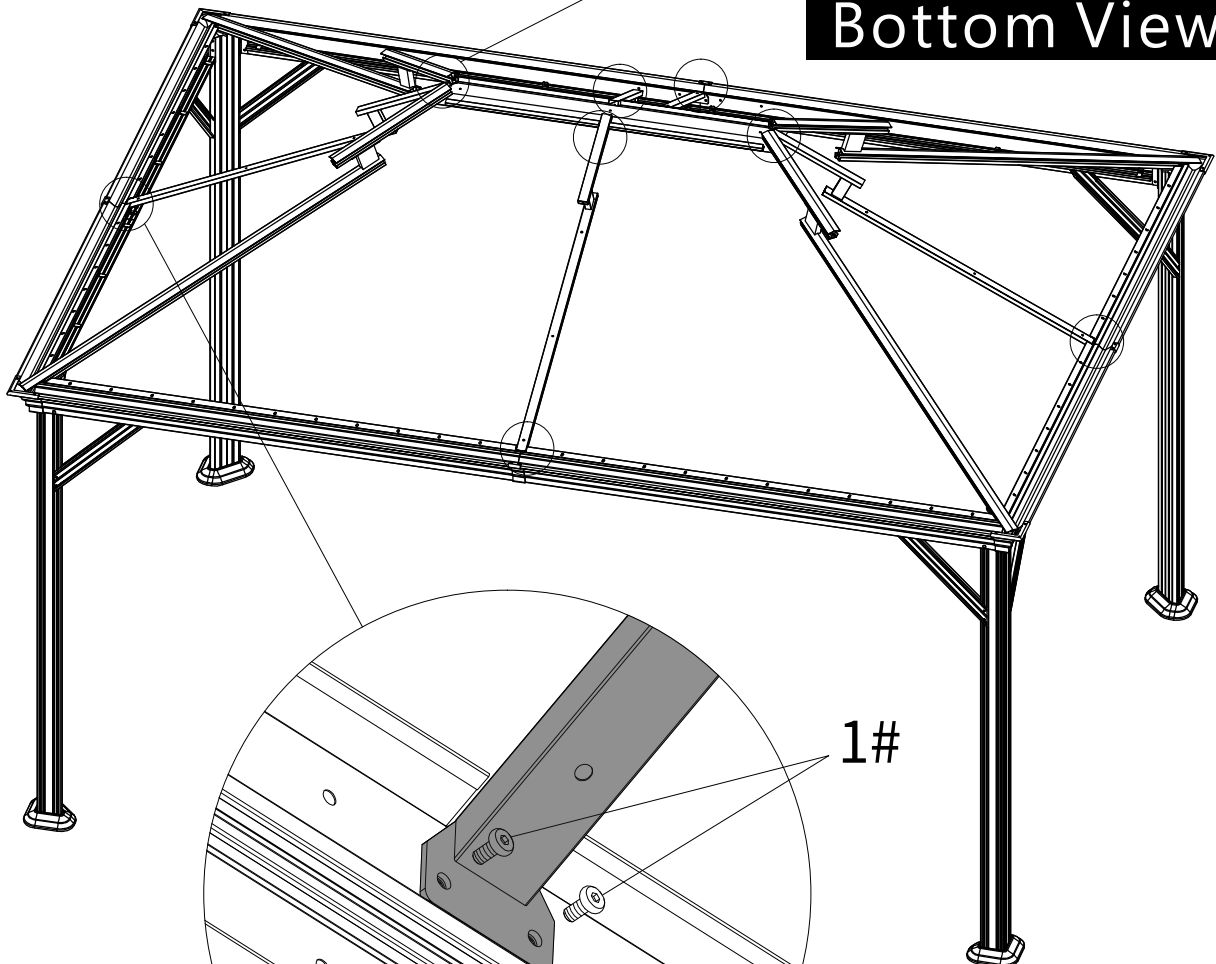
(1) Place Middle Roof Tube #M on Inside Roof Connector, secure with Bolt #1 (from bottom to top).

(2) Connect Middle Roof Tube #M and the Assembled Beam with 2 Bolts #1.

Repeat the above procedures to assemble the other sides.

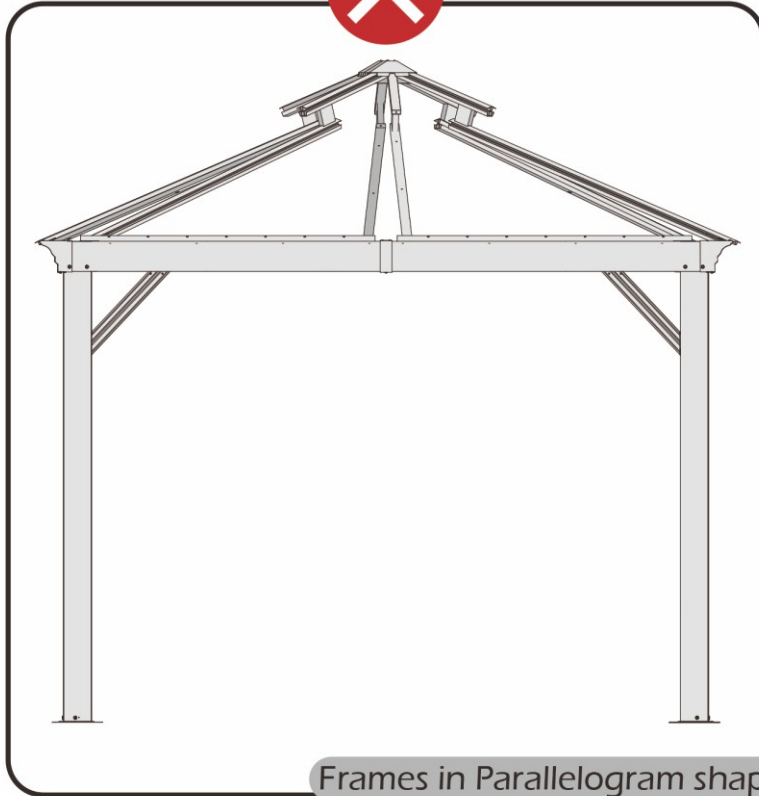


Bottom View

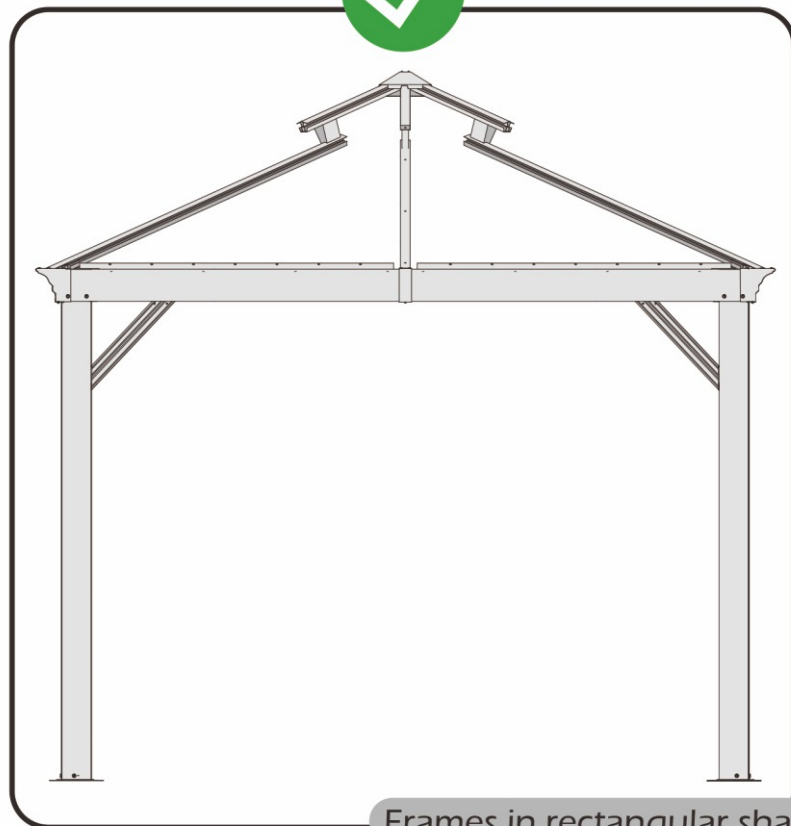


Inside View

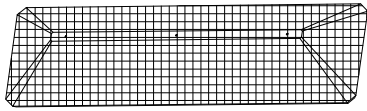
Check the the frame as pictures below shows.



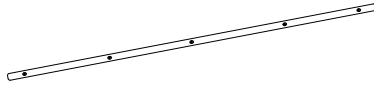
Frames in Parallelogram shape



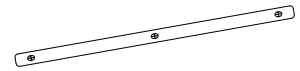
Frames in rectangular shape



P (x1)

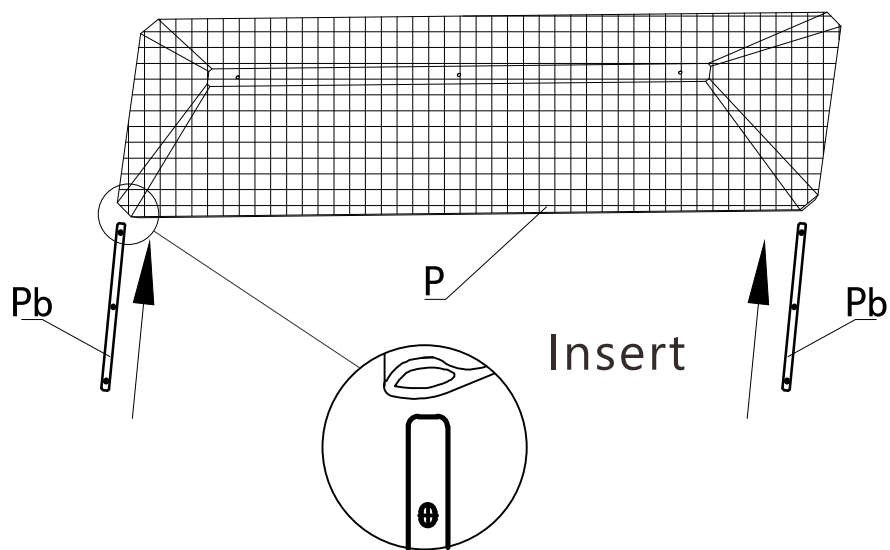
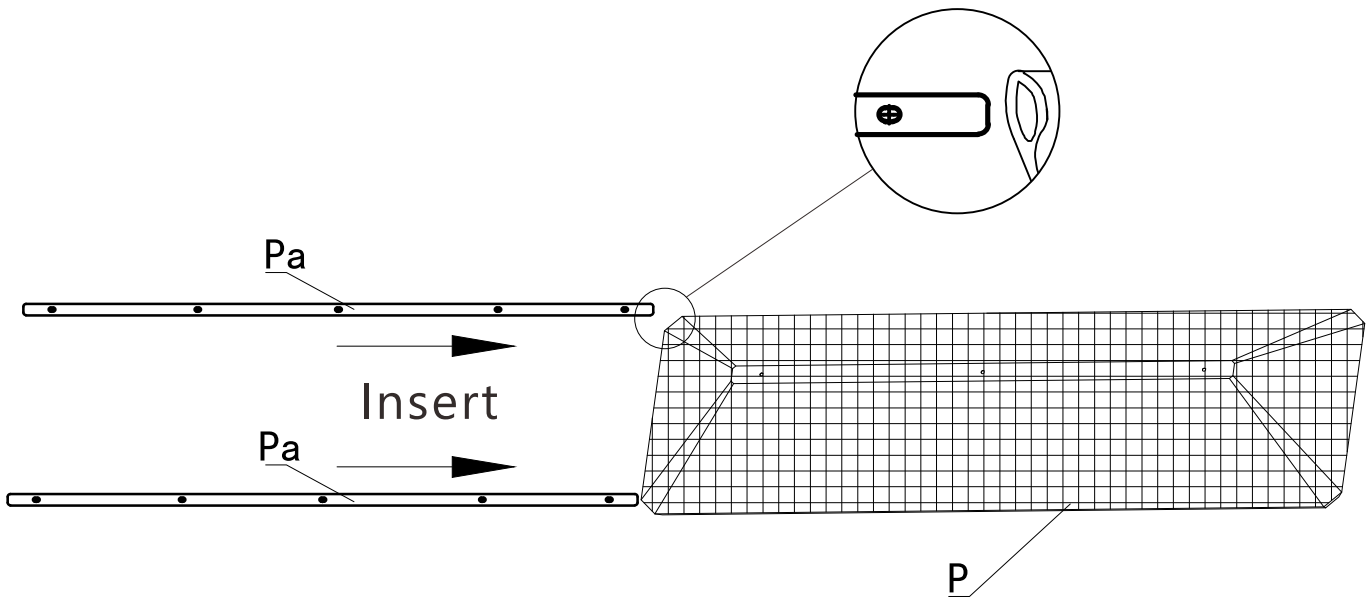


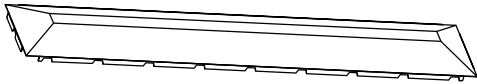
Pa (x2)



Pb (x2)

PLASTIC BAR ASSEMBLY :





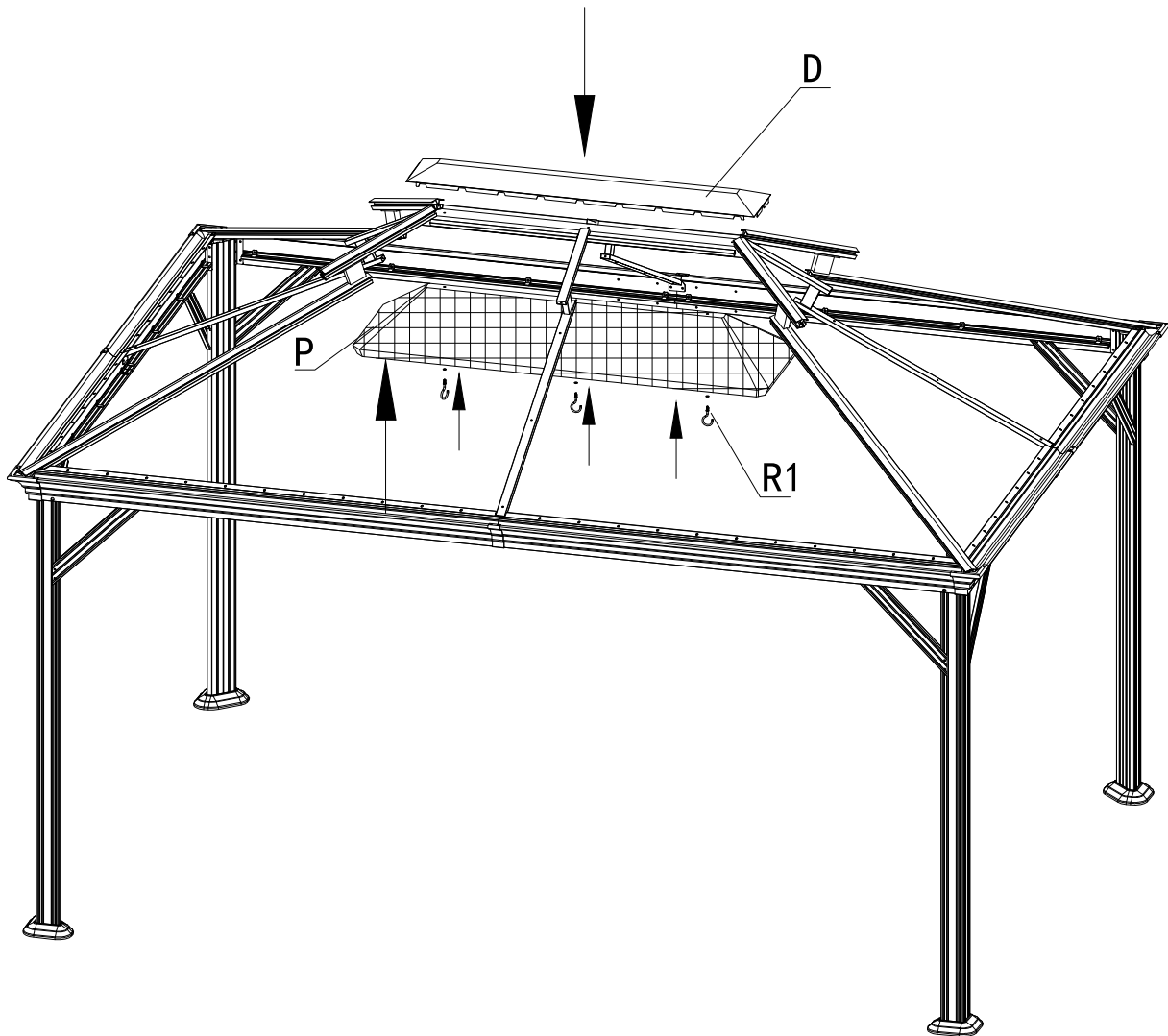
D x1

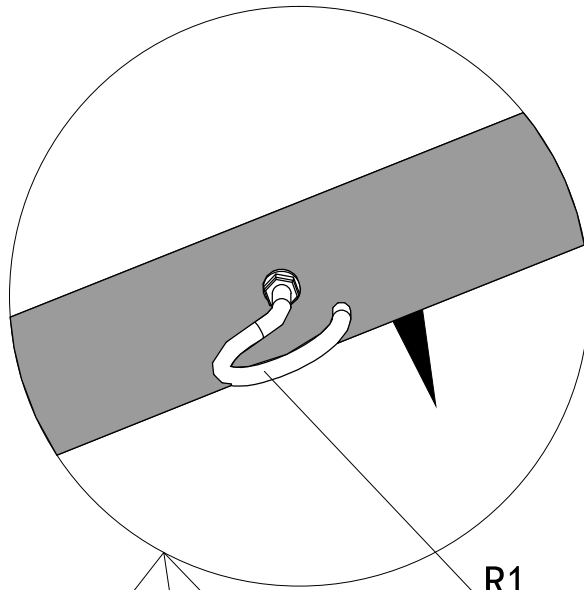


R1 x3

OUTSIDE ROOF COVER AND MESH ASSEMBLY:

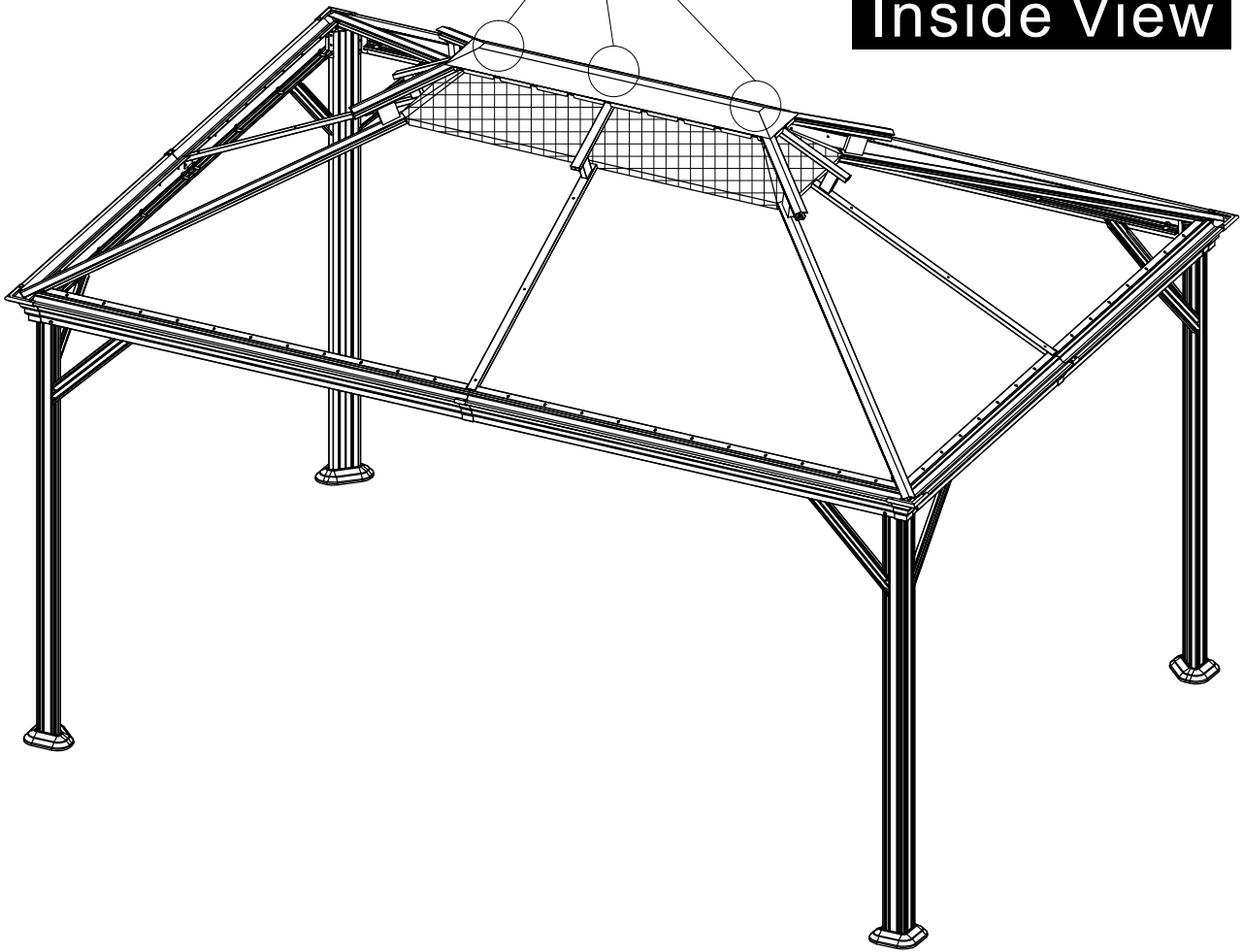
- (1) Place the Outside Roof Cover #D on the inside Roof Cover.
- (2) Align the holes, and use 3 Hooks #R1 to secure Mesh #P to the inside Roof Cover (From Bottom to Top).

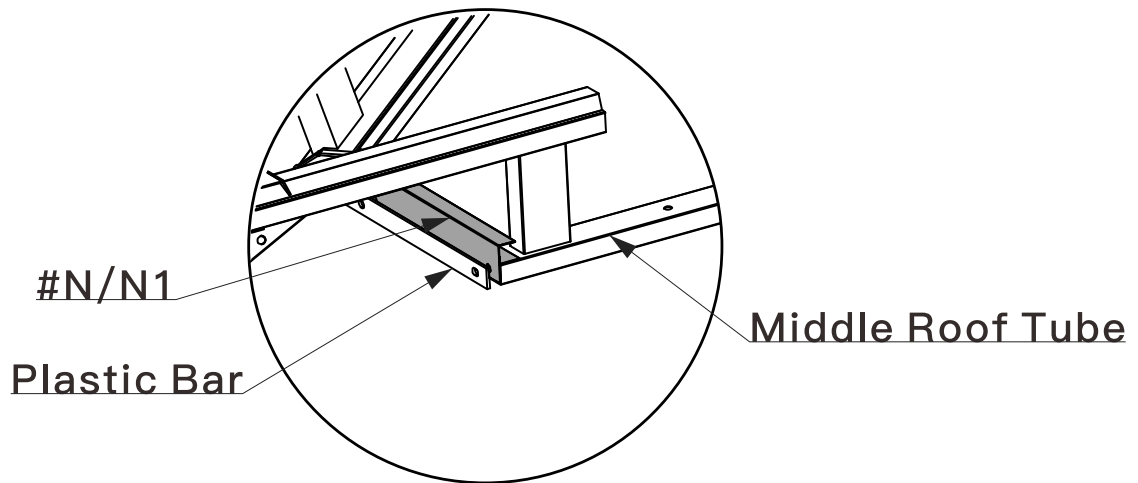
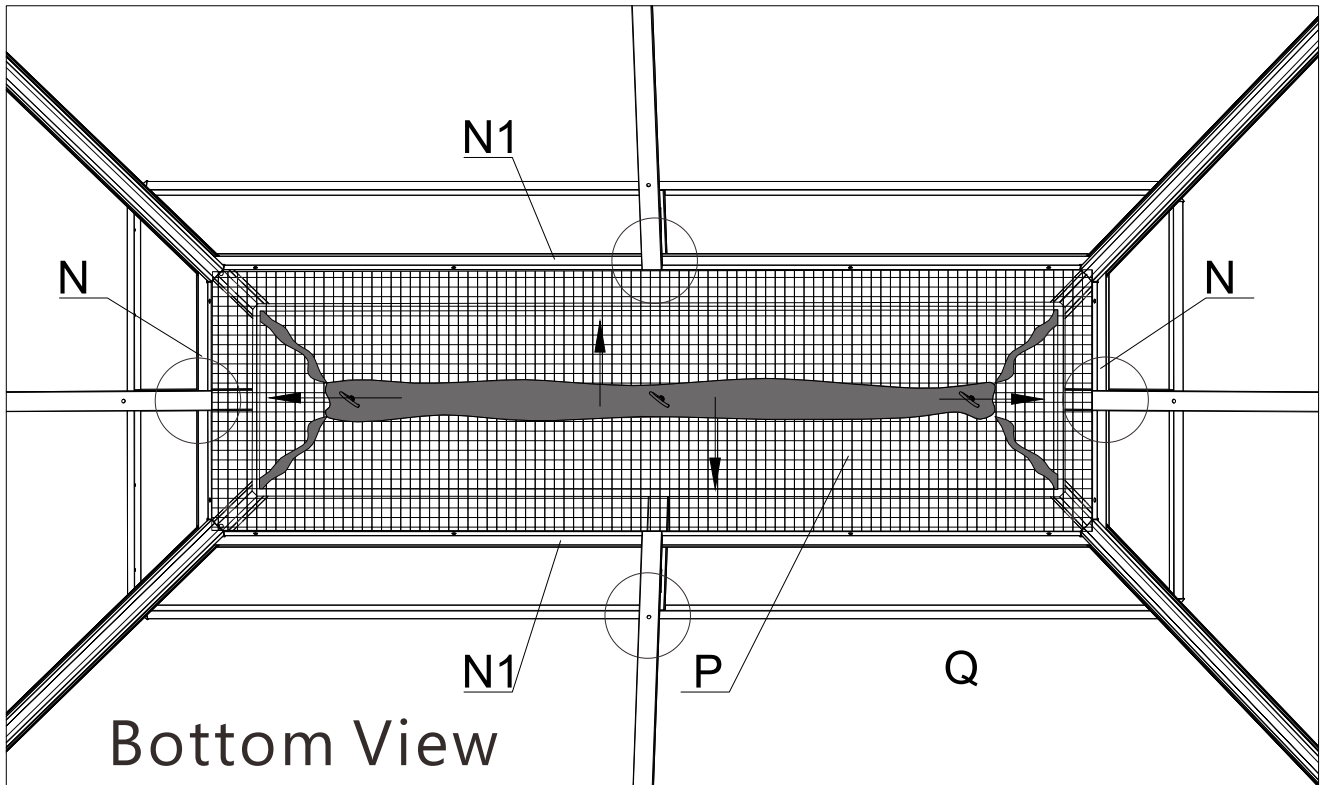
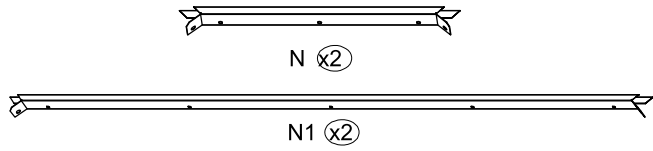




R1

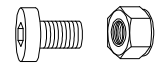
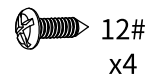
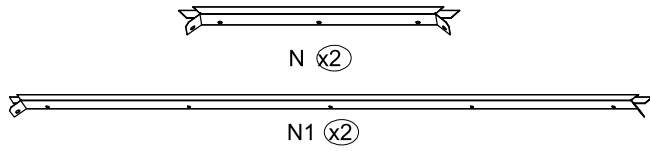
Inside View



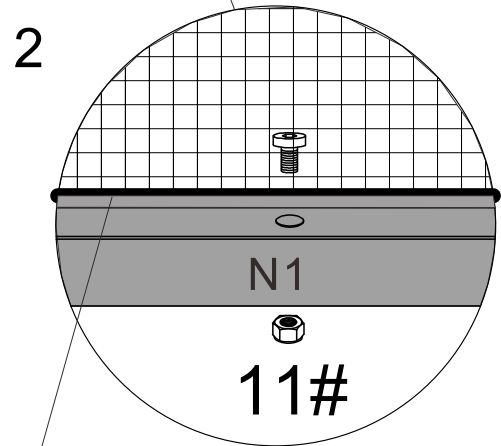
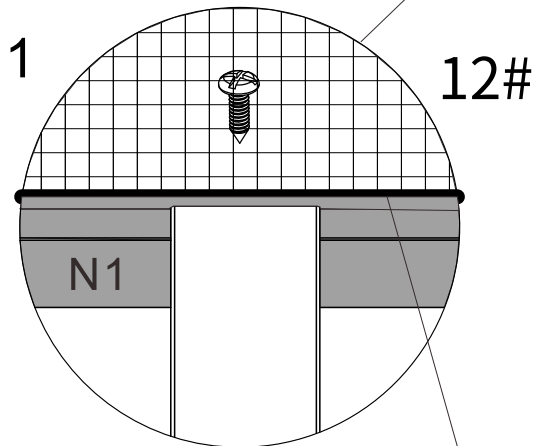
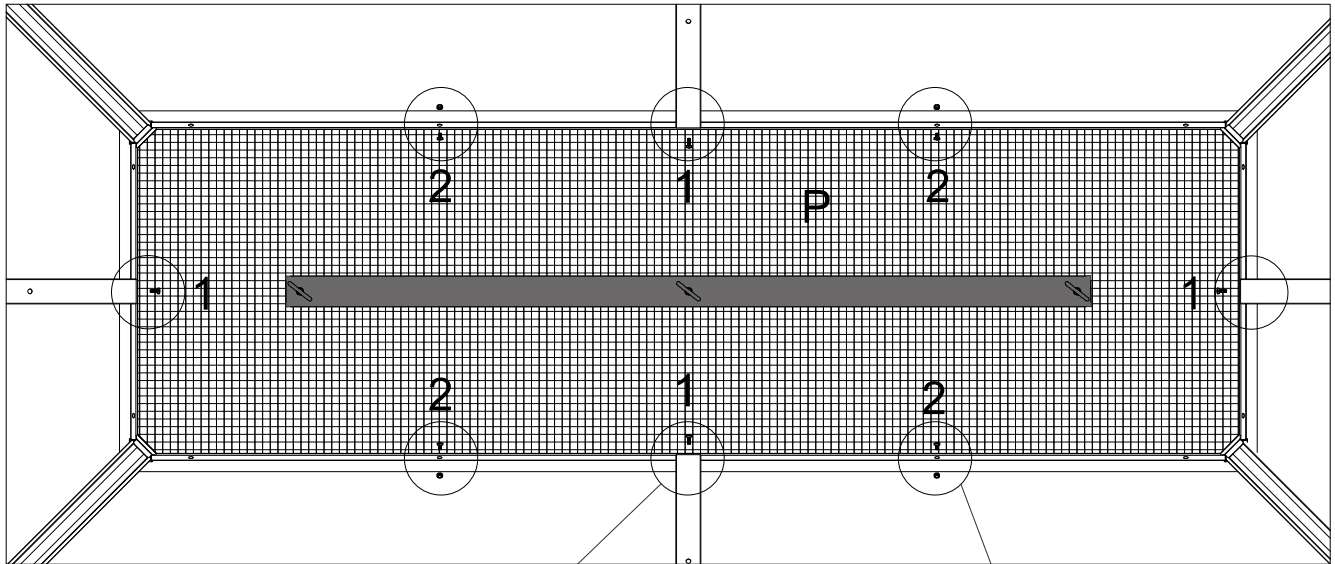


Please do not pull plastic bar out when installing it with #N, N1 on the middle roof tube.

Extend the Small Mesh #P.

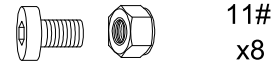
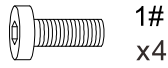
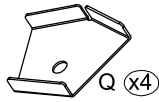


11#
x4

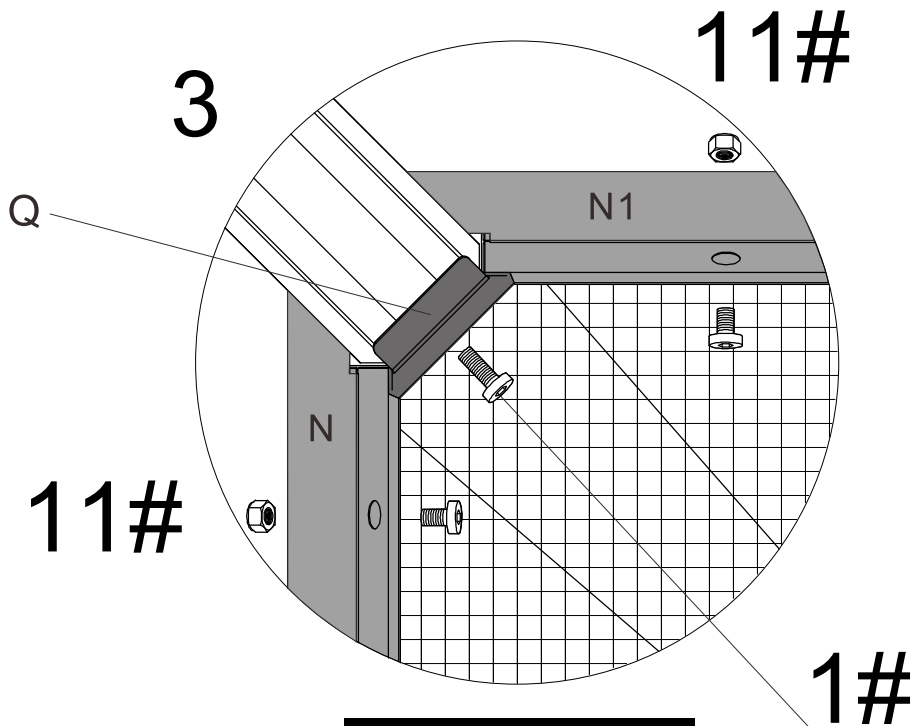
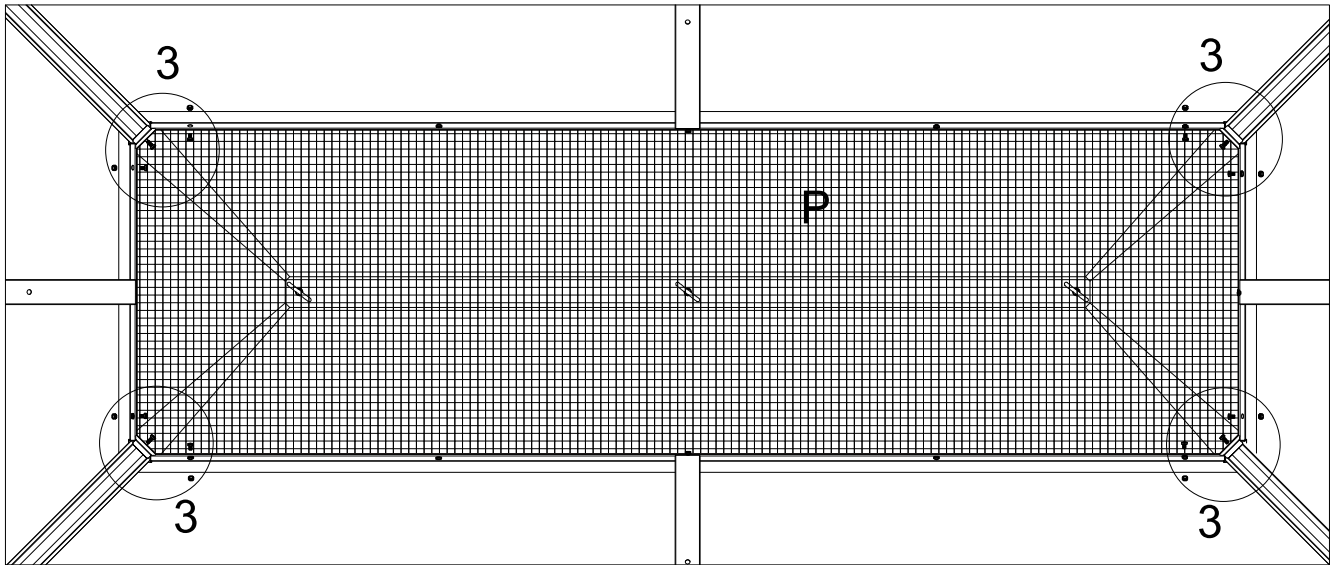


Plastic Bar in the mesh

Secure the small mesh, plastic bar and finishing bar to the middle roof tube.



FINISHING END #Q ASSEMBLY:

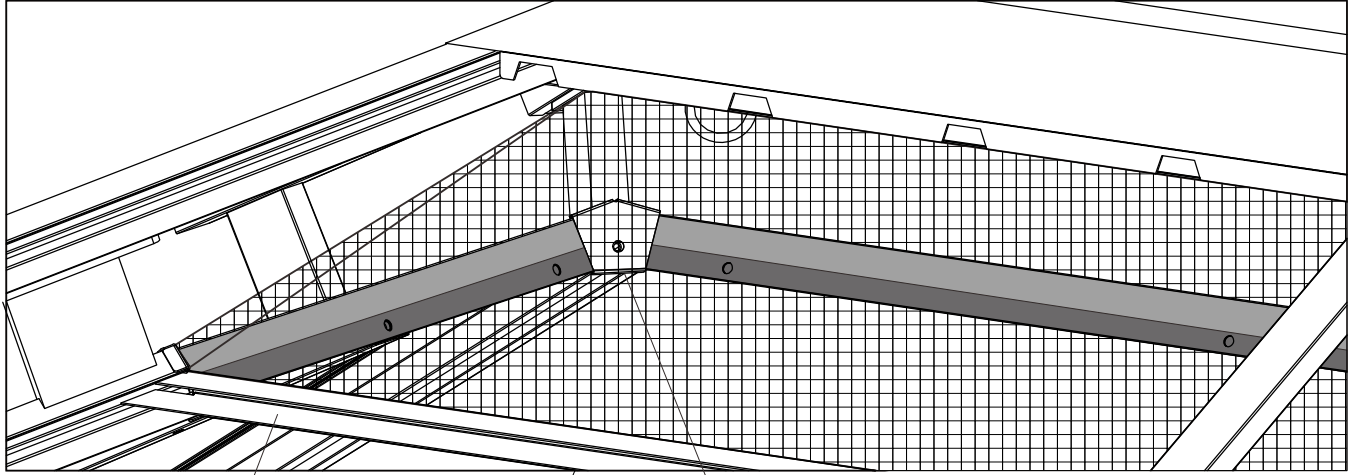


Inside View

- (1) use 8 bolts and nuts #11 to secure the small mesh, plastic bar to finishing bar.
- (2) Use bolt #1 to secure the small mesh and finishing end #Q to the corner roof tube.

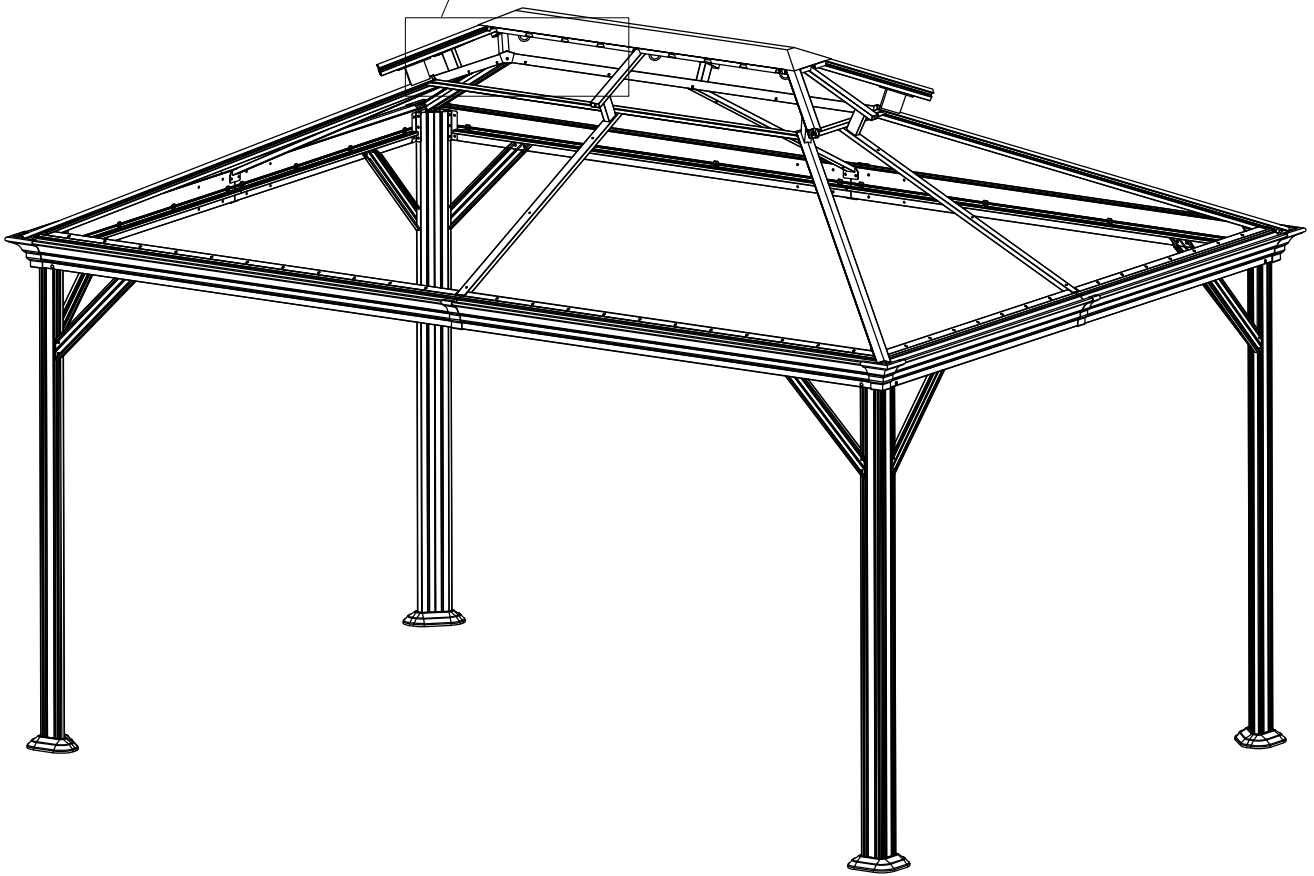
■ Plastic Bar in the mesh

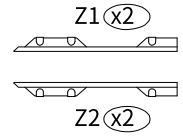
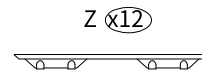
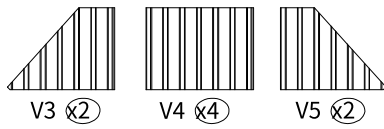
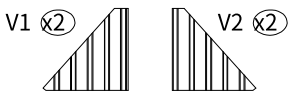
■ #N/N1



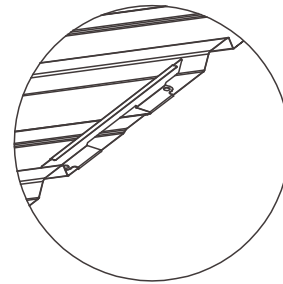
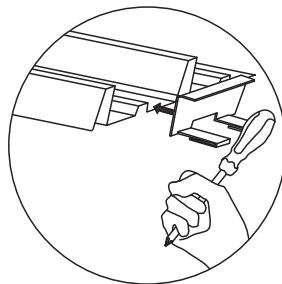
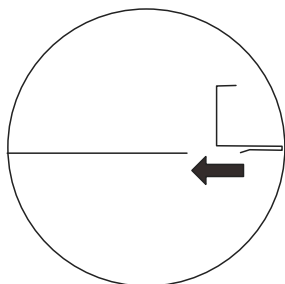
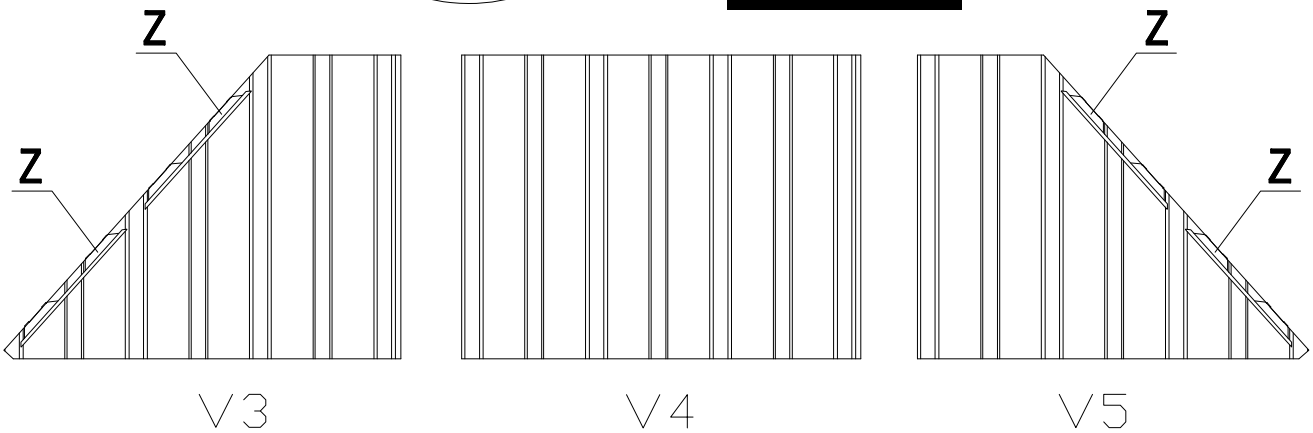
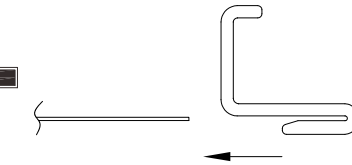
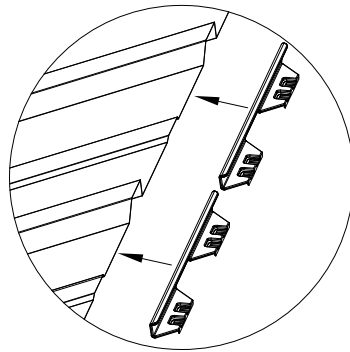
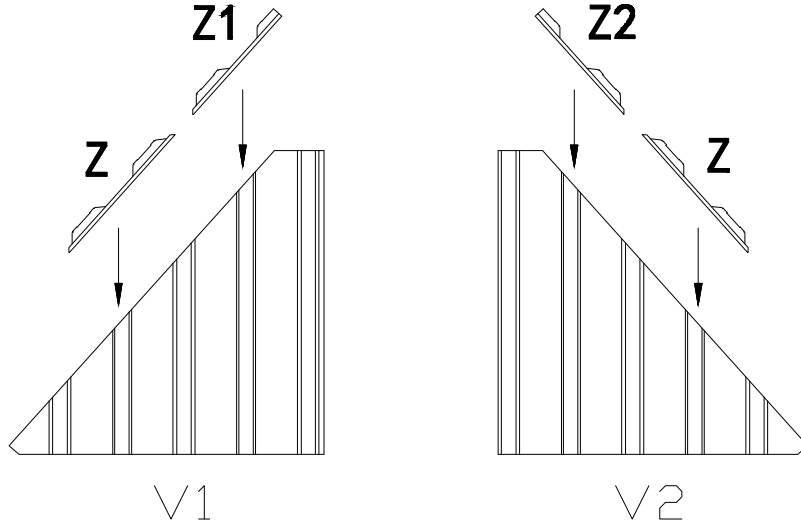
N1

Q

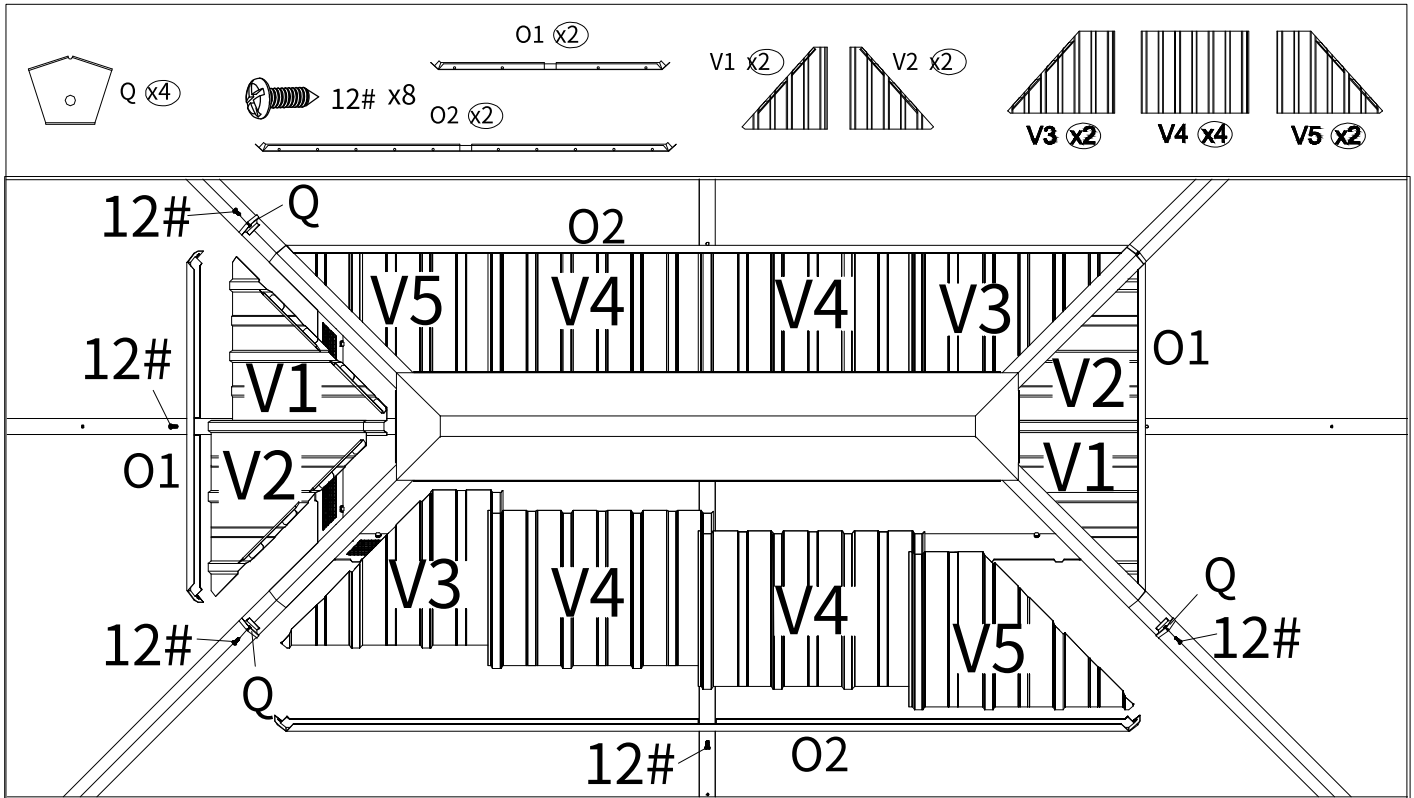




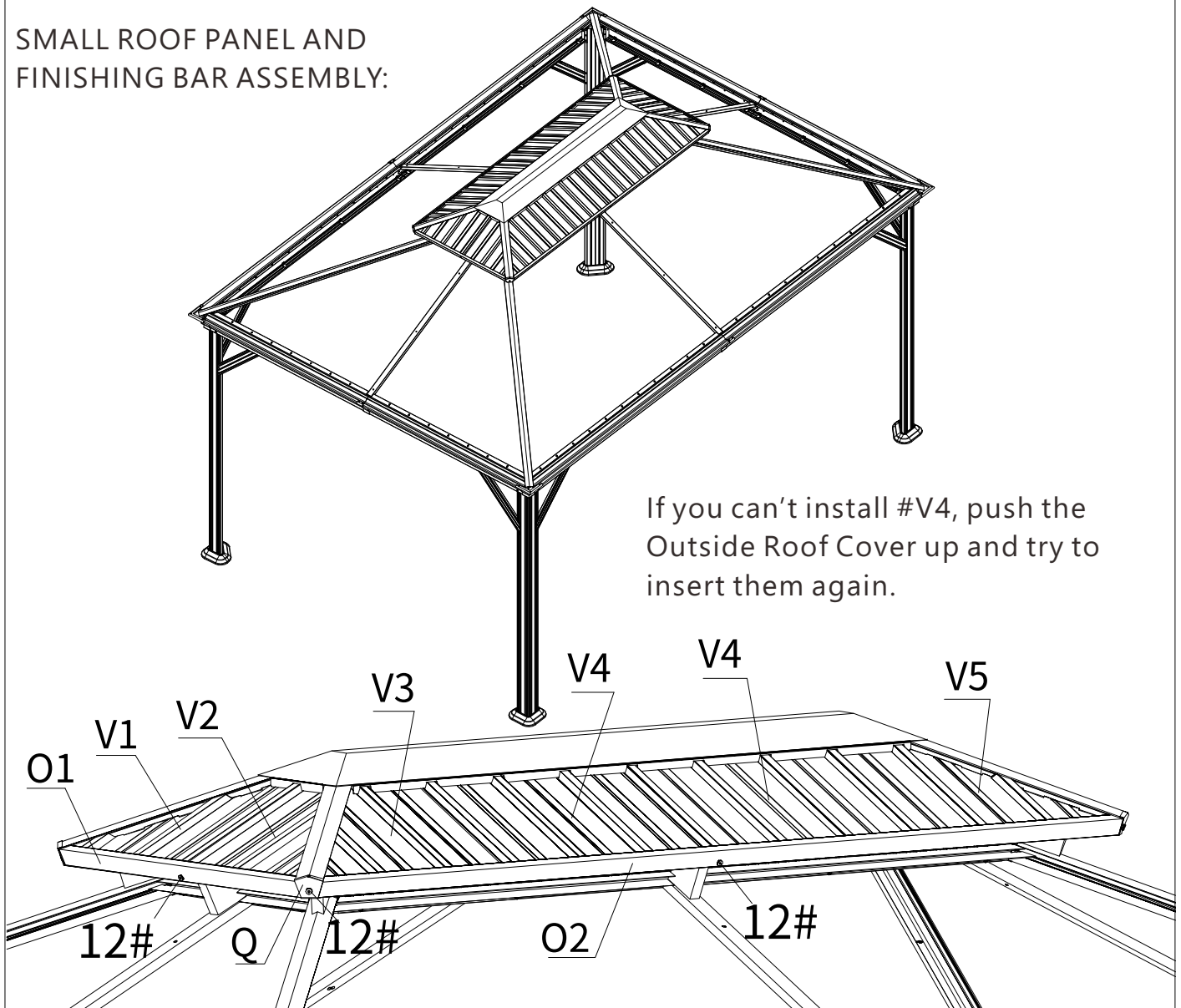
Please install Plastic Clips in strict accordance with the instructions.

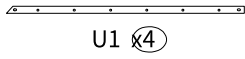


Attach Part #Z, #Z1 & #Z2 by lightly tapping with screwdriver.

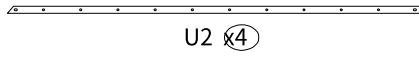


SMALL ROOF PANEL AND FINISHING BAR ASSEMBLY:

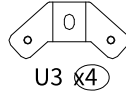




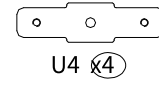
U1 x4



U2 x4



U3 x4

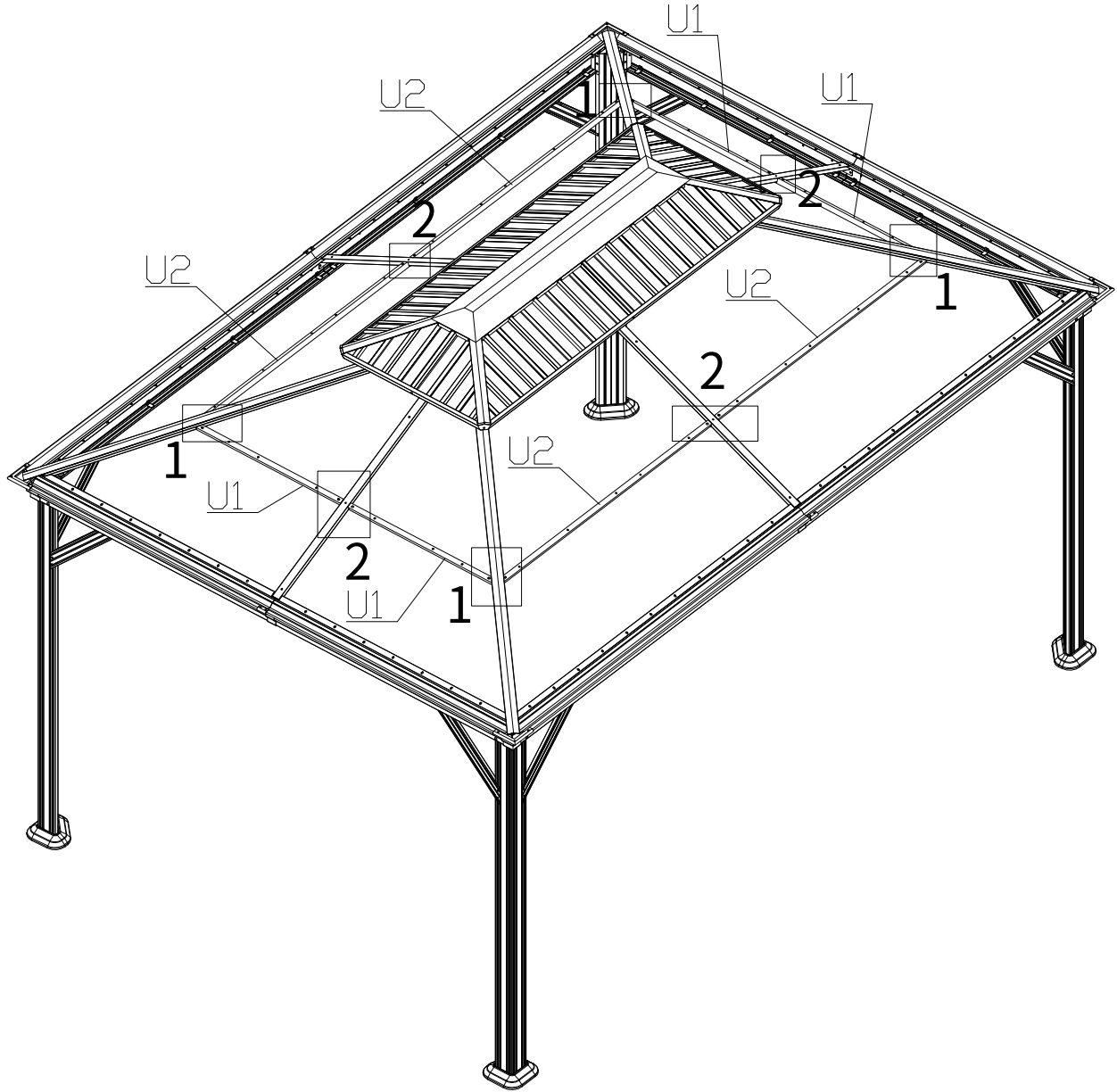


U4 x4

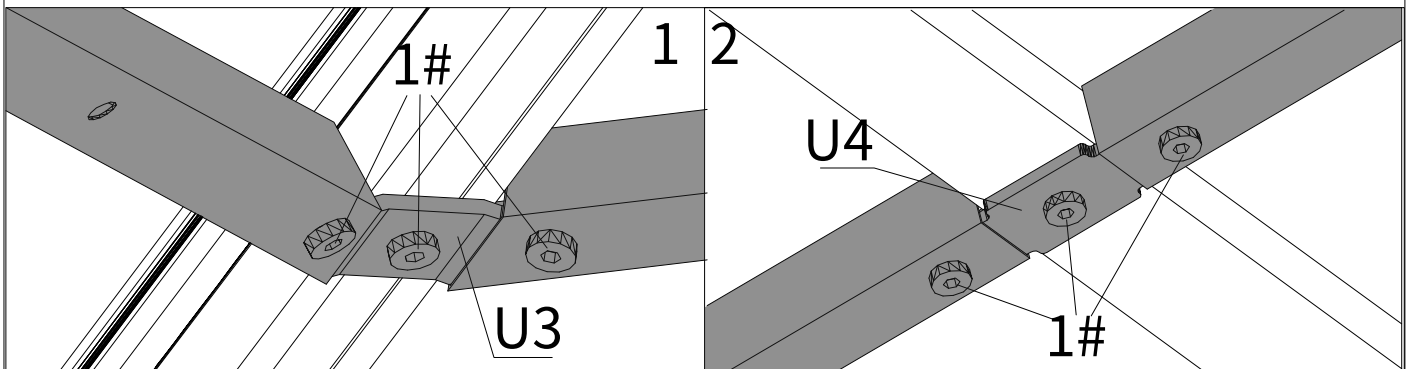


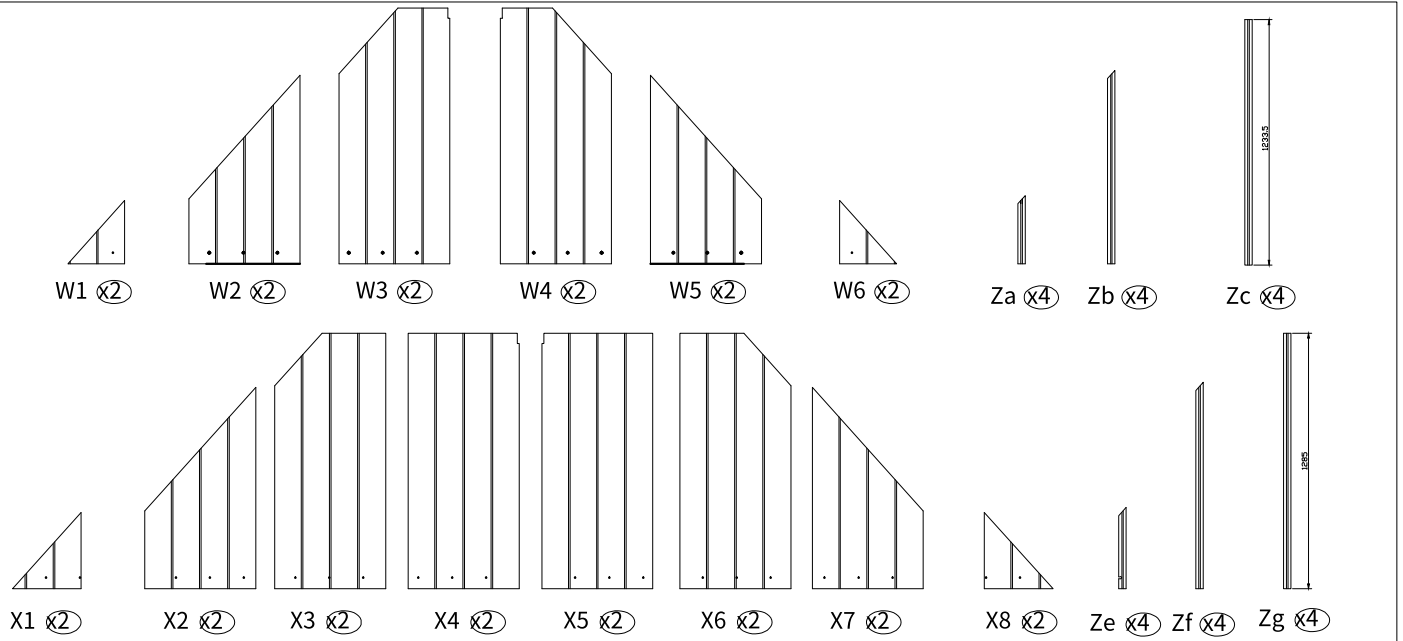
1#
x24

SOLIDIFYING BAR ASSEMBLY:

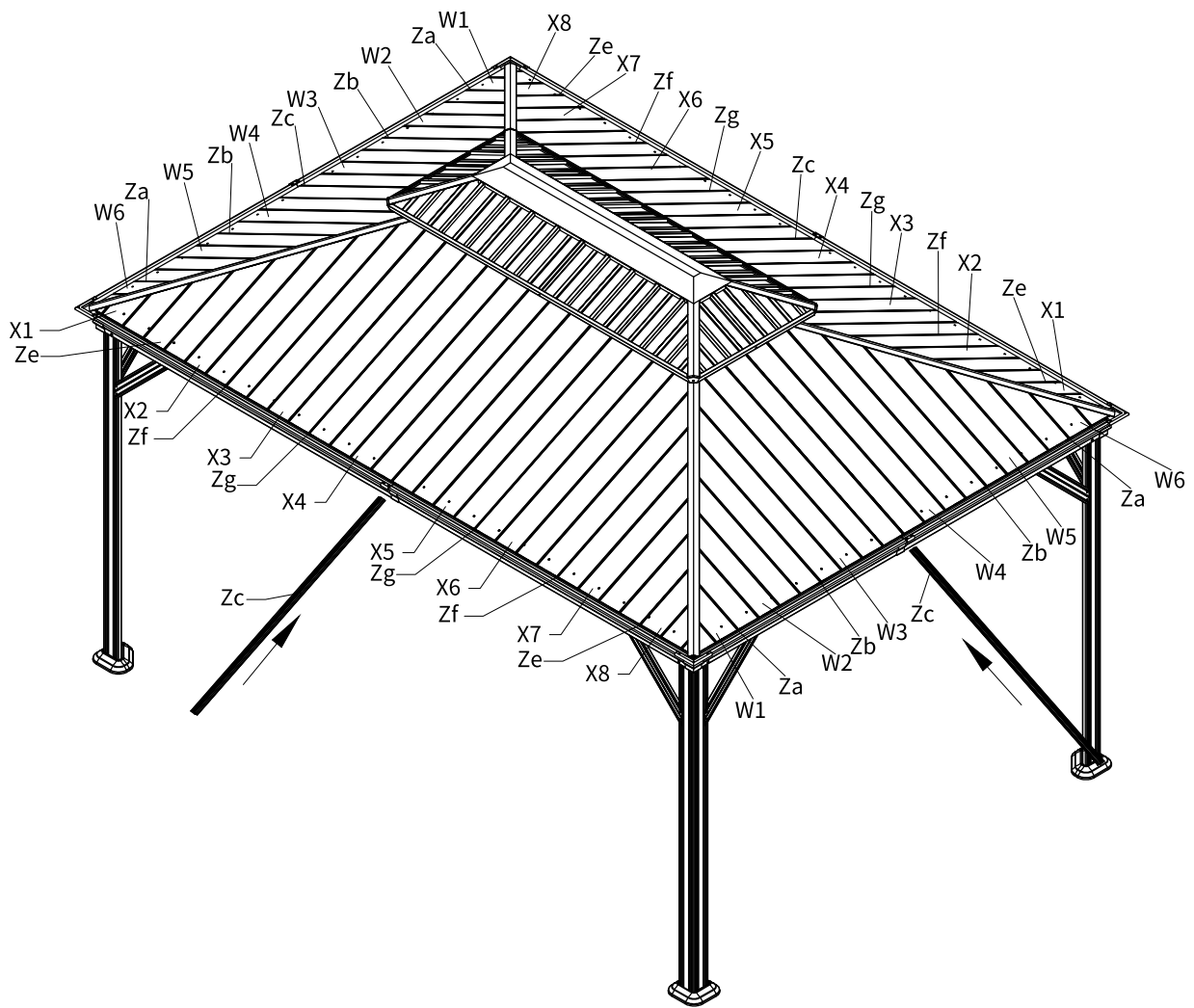


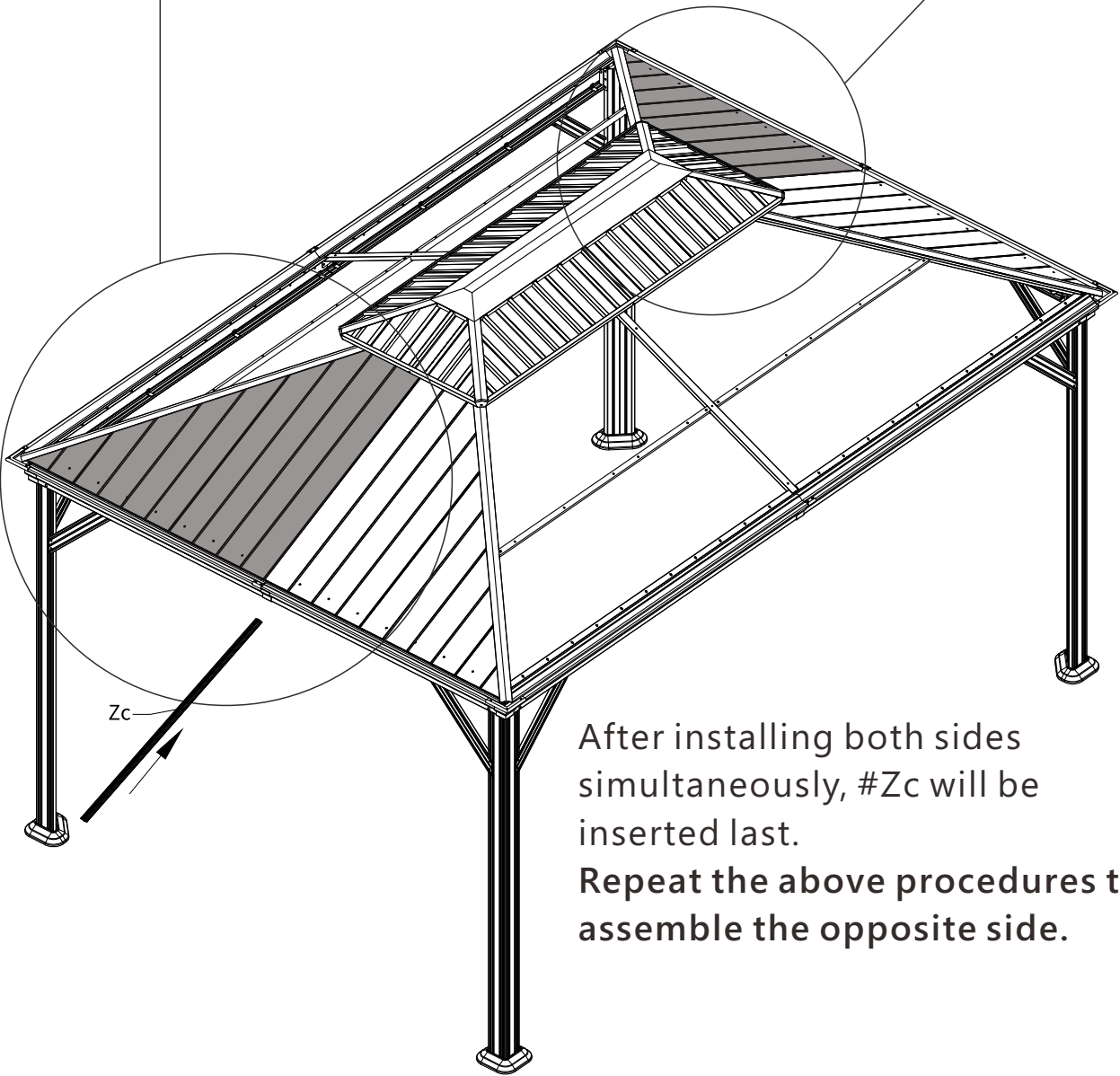
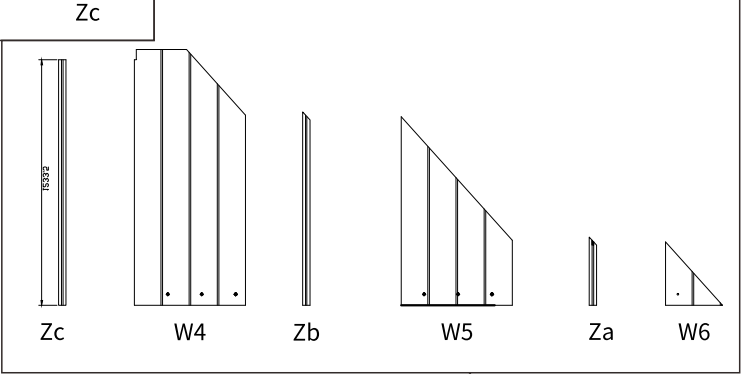
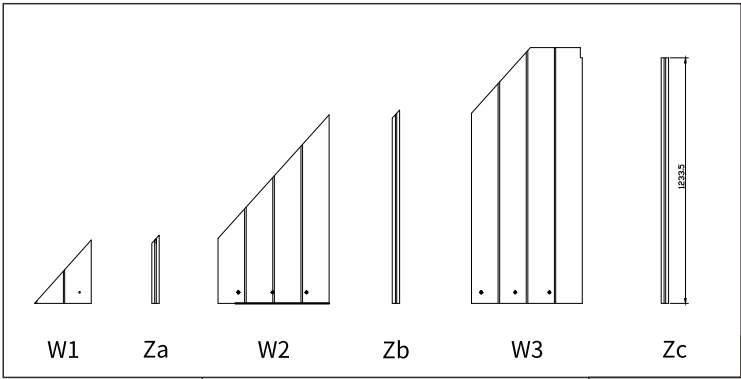
Inside View





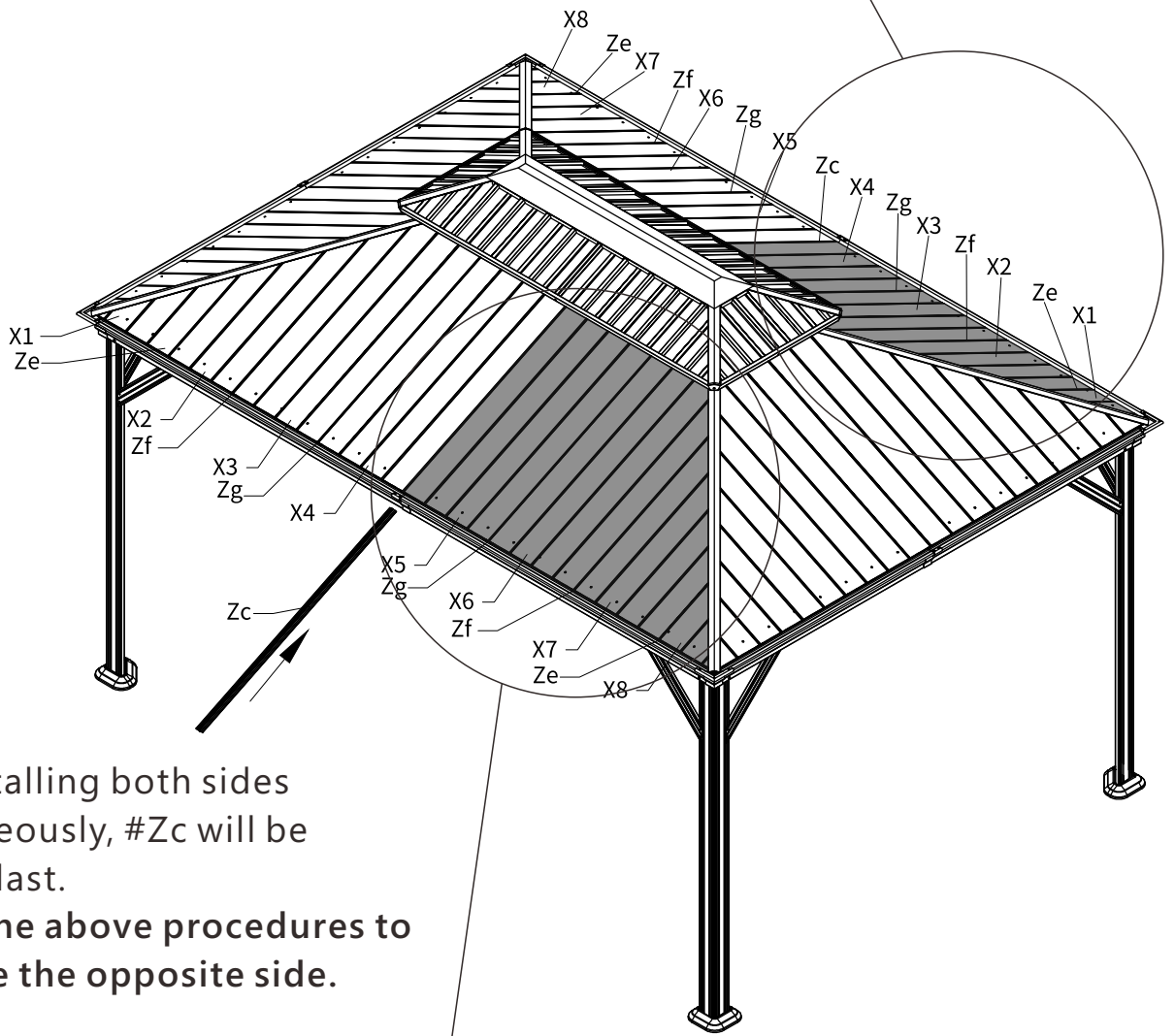
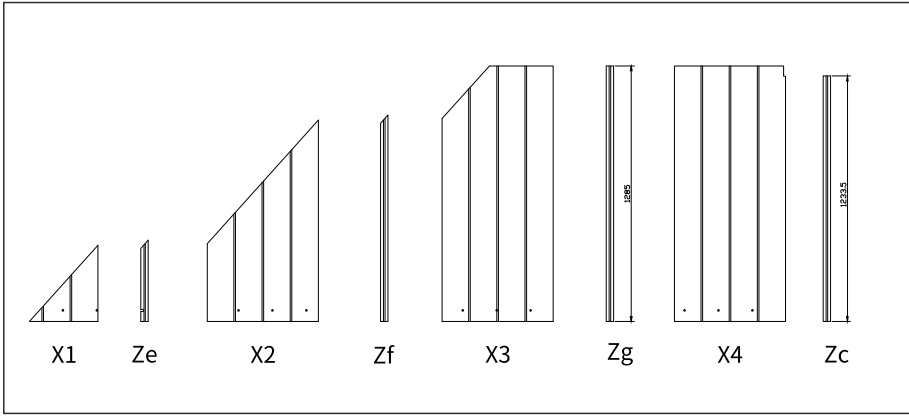
RESIN ROOF ASSEMBLY:



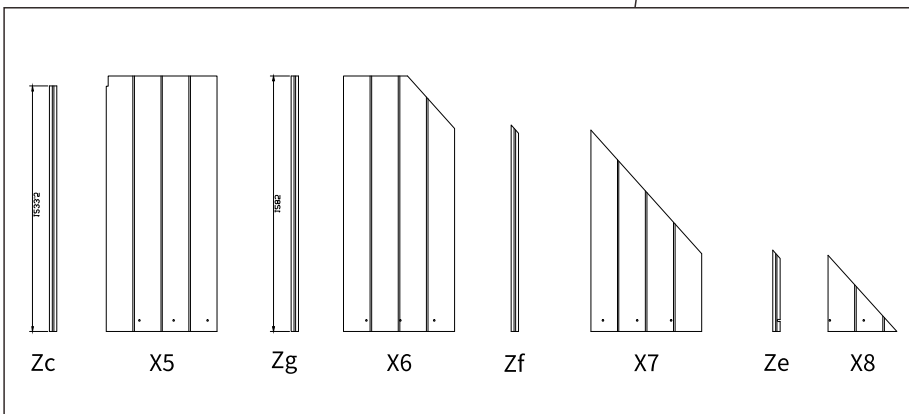


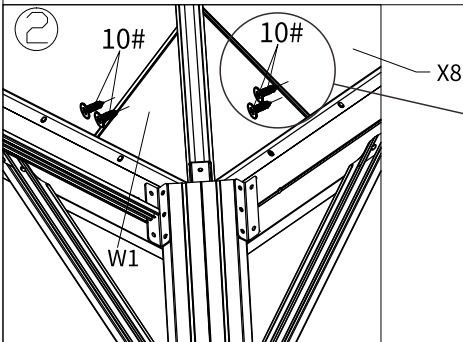
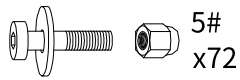
Zc

After installing both sides simultaneously, #Zc will be inserted last.
 Repeat the above procedures to assemble the opposite side.

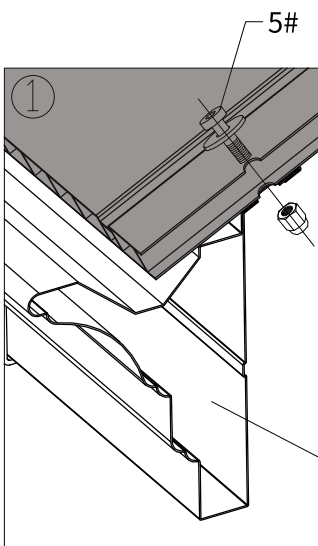
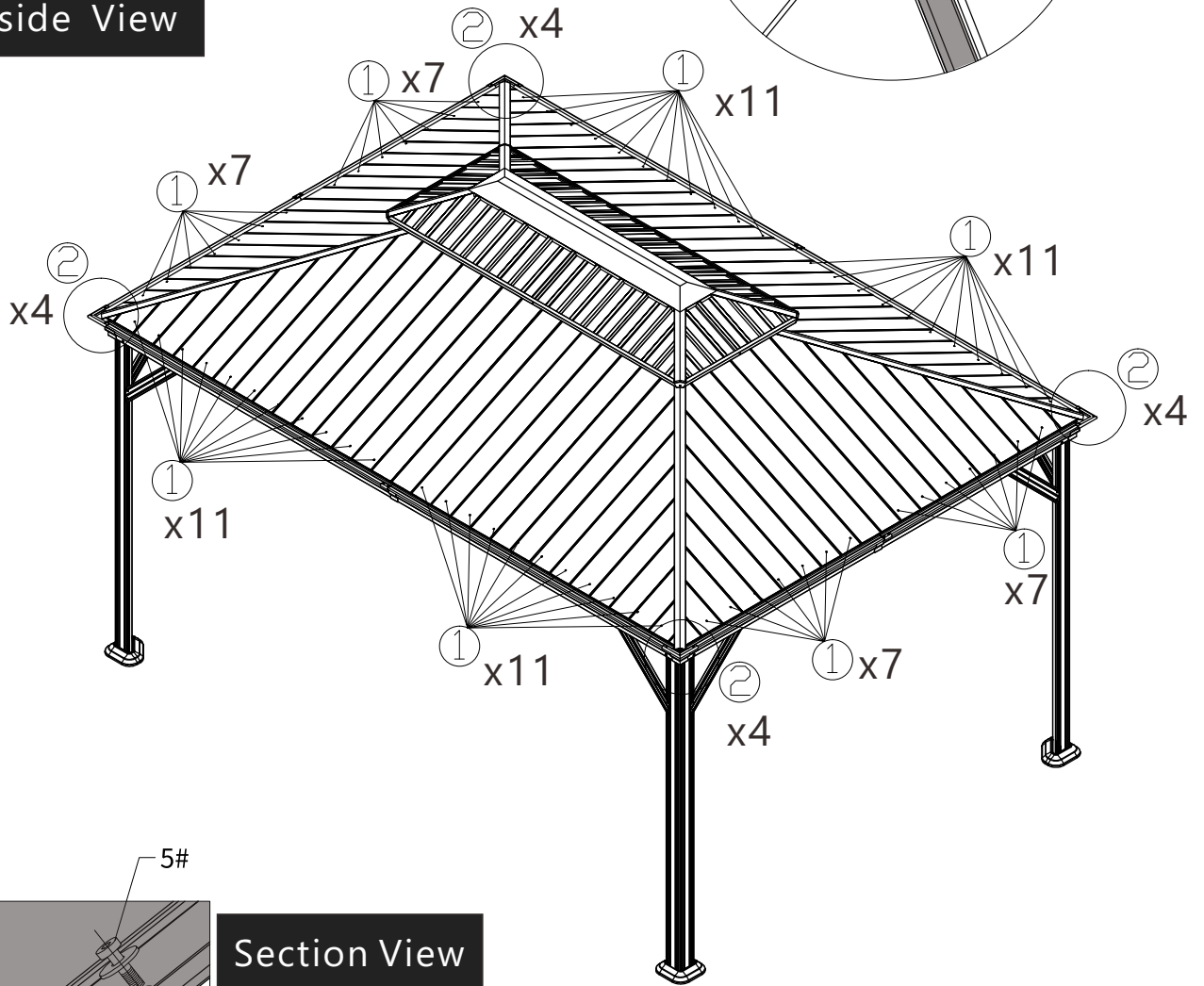
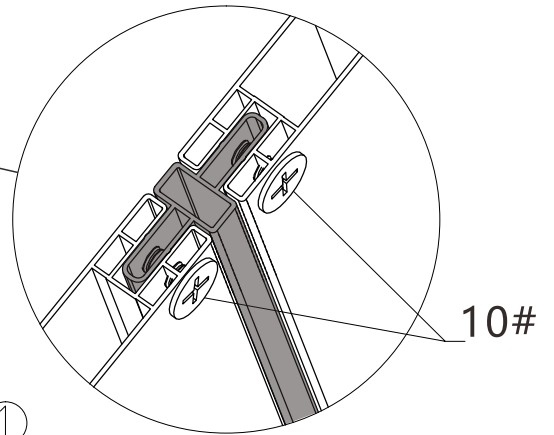


After installing both sides simultaneously, #Zc will be inserted last.
 Repeat the above procedures to assemble the opposite side.





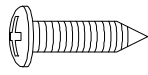
Inside View



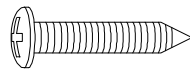
Section View

- ①: Use bolts #5 to secure the roof panel to the beam.
- ②: Use 4 screws #10 to secure the roof panels to the connecting rods #Za/Ze. Repeat the above procedures to assemble the other 3 sides.

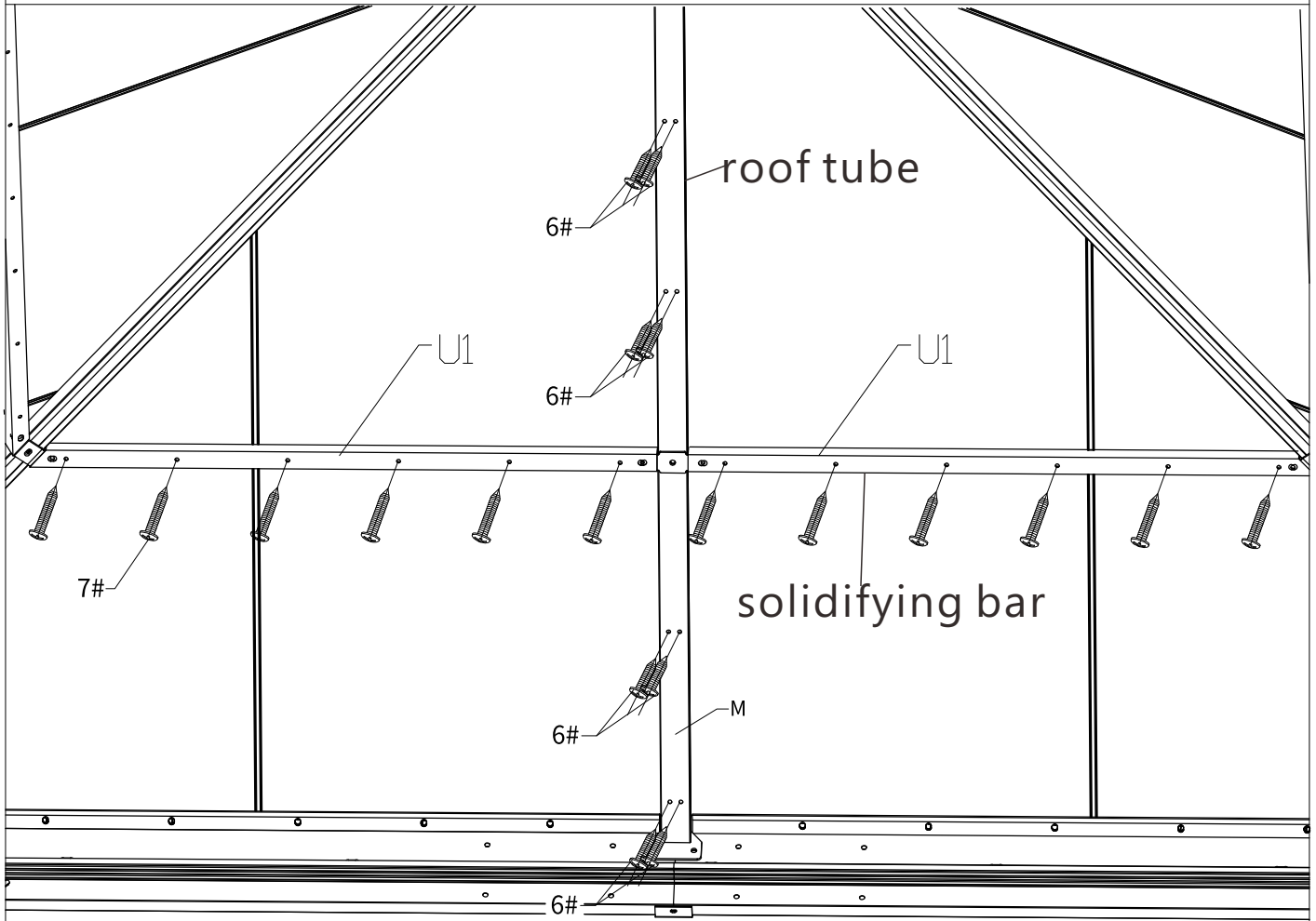
B/B1/B2/B3



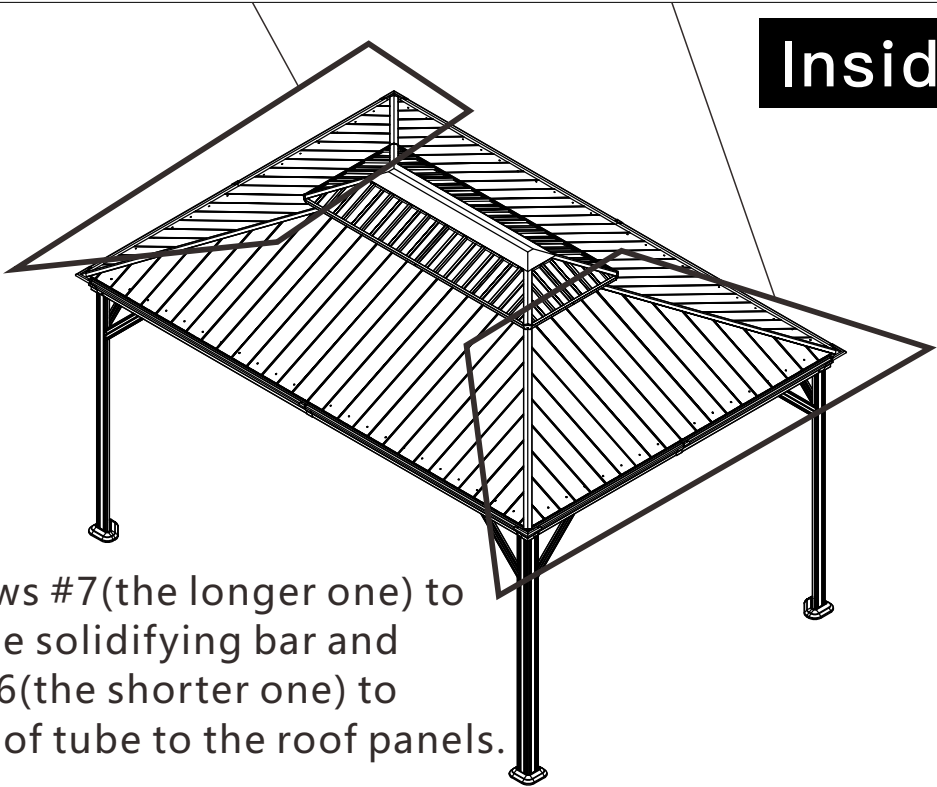
6# x16



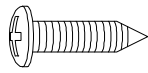
7# x24



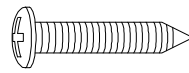
Inside View



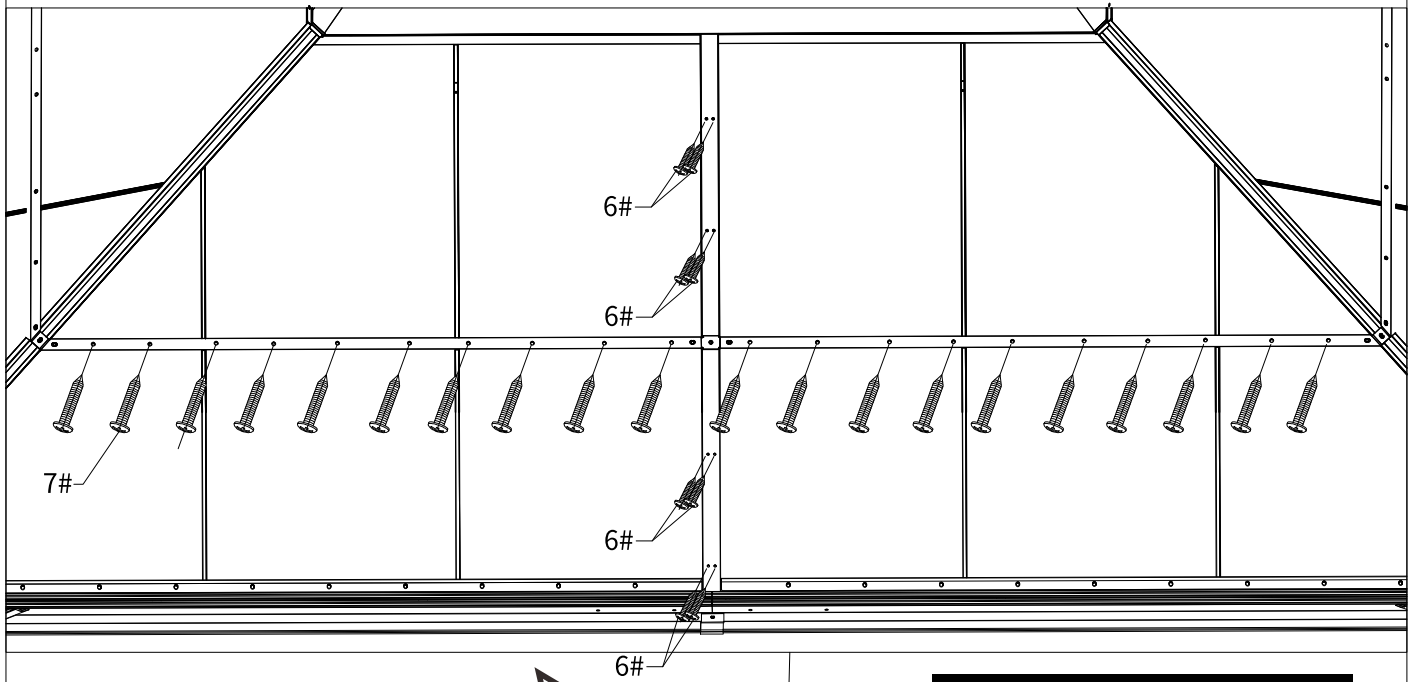
Use Screws #7(the longer one) to secure the solidifying bar and Screws #6(the shorter one) to secure roof tube to the roof panels.



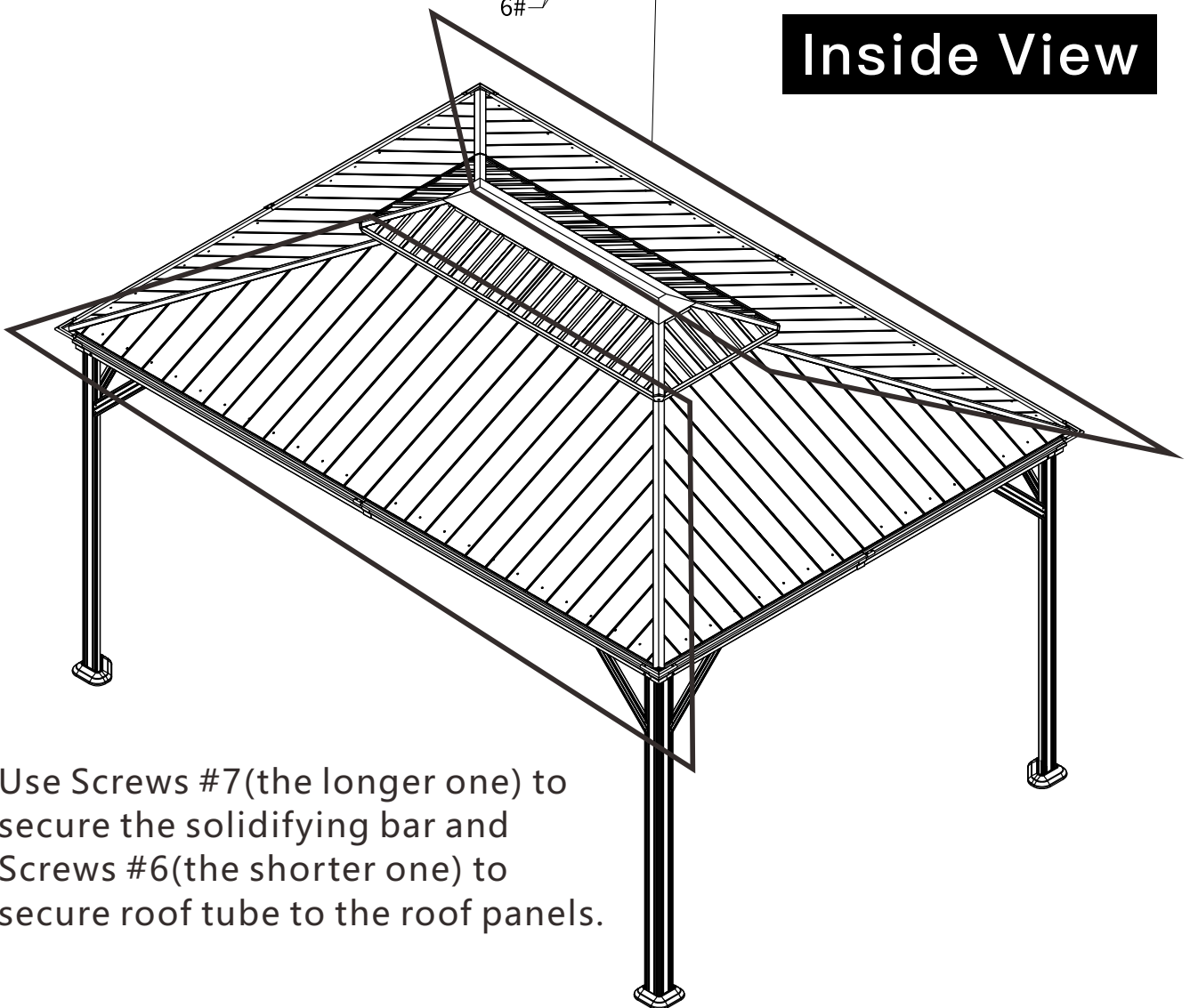
6# x16



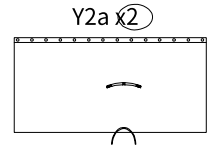
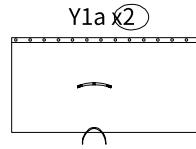
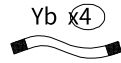
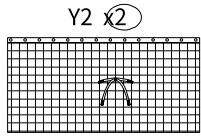
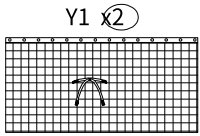
7# x40



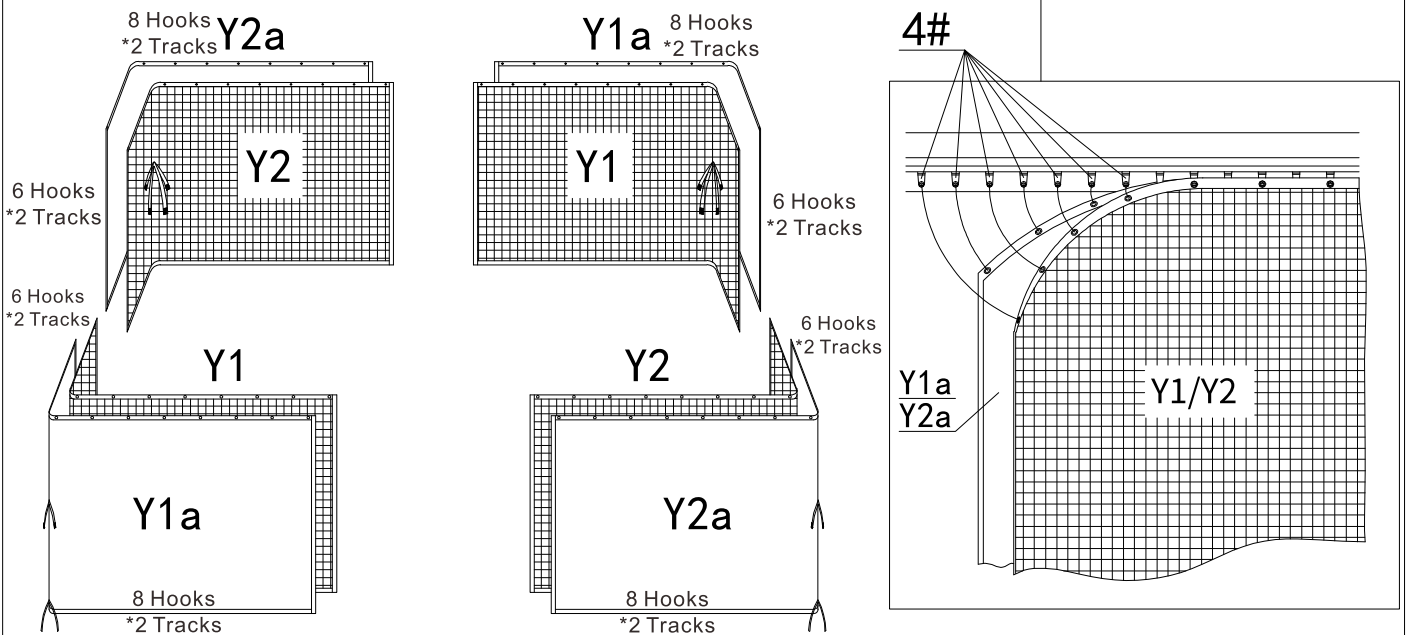
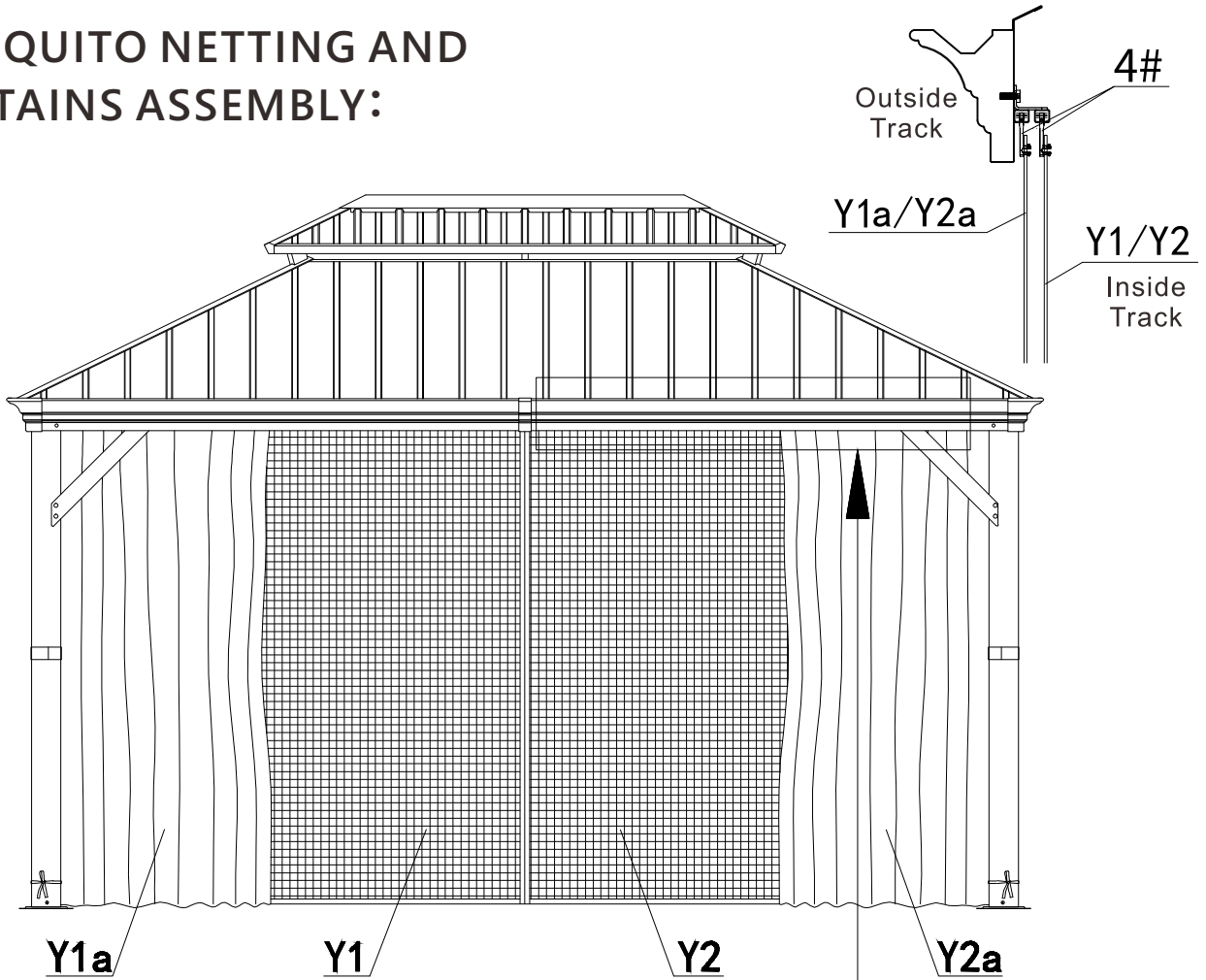
Inside View



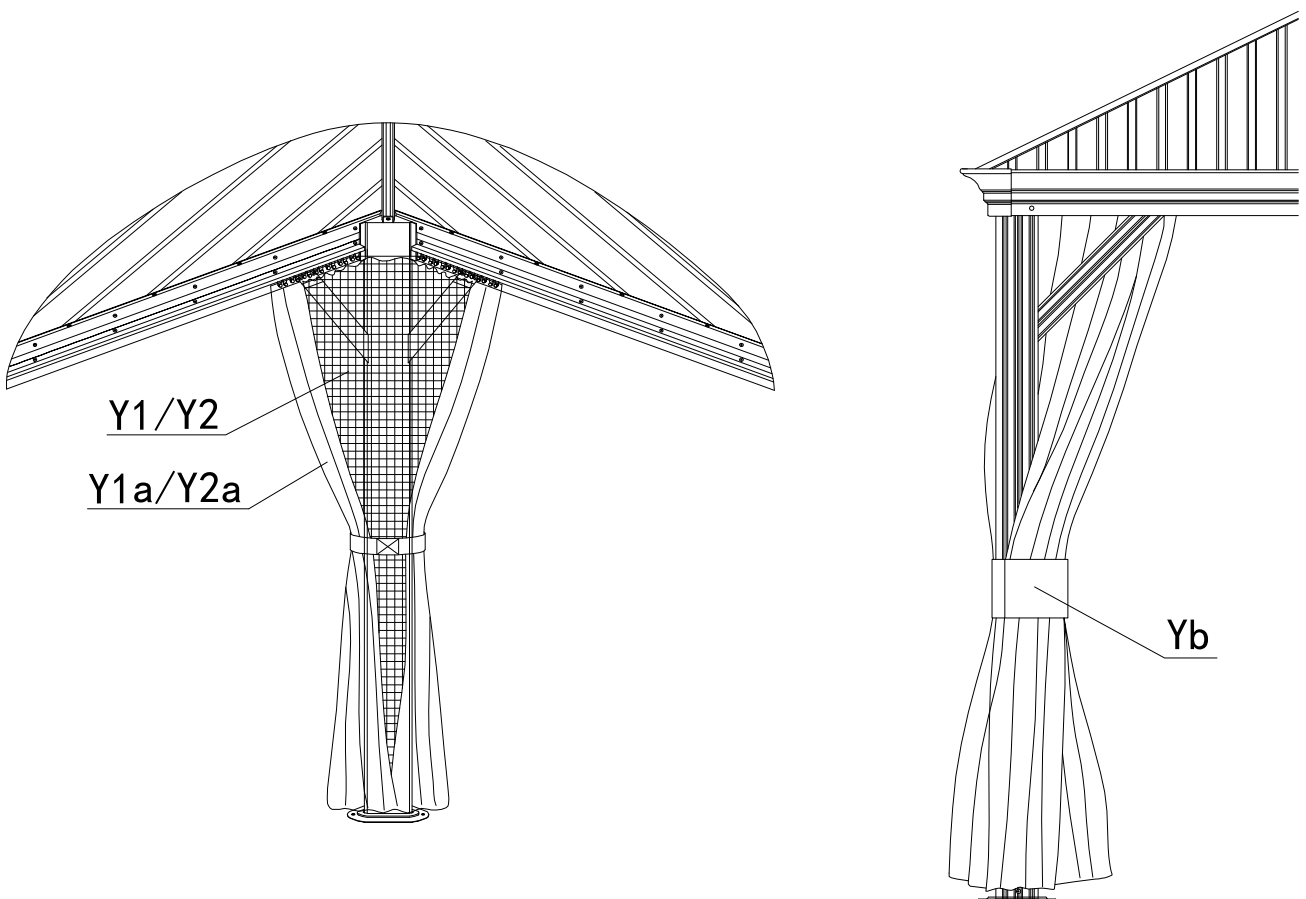
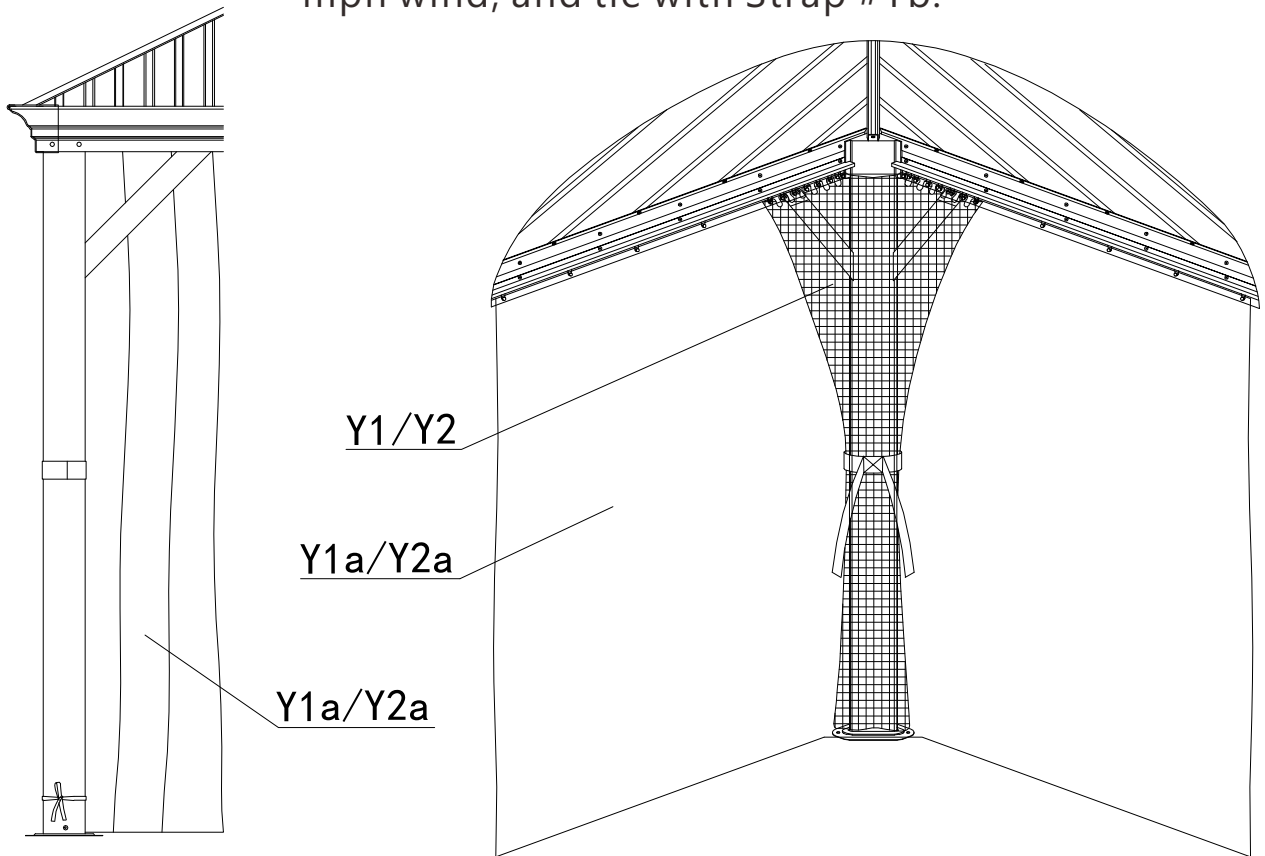
Use Screws #7 (the longer one) to secure the solidifying bar and Screws #6 (the shorter one) to secure roof tube to the roof panels.



MOSQUITO NETTING AND CURTAINS ASSEMBLY:



Please open your gazebo curtain when it is incoming over 30 mph wind, and tie with Strap #Yb.





Thanks for your purchase.

At domi outdoor living, we believe in our products.

That's why we provide a 12-month warranty and friendly, easy-to-reach after-sales service. So, if you have any questions about our product or assembly, please feel free to contact us. We are here for you.

Support:  

After-sales contact email:

service@domioutdoorliving.com

Business cooperation contact email:

marketing@domioutdoorliving.com

Please have your order ID available if you reach out for support.

If you have damaged parts or product, please send us photos for an immediate response.