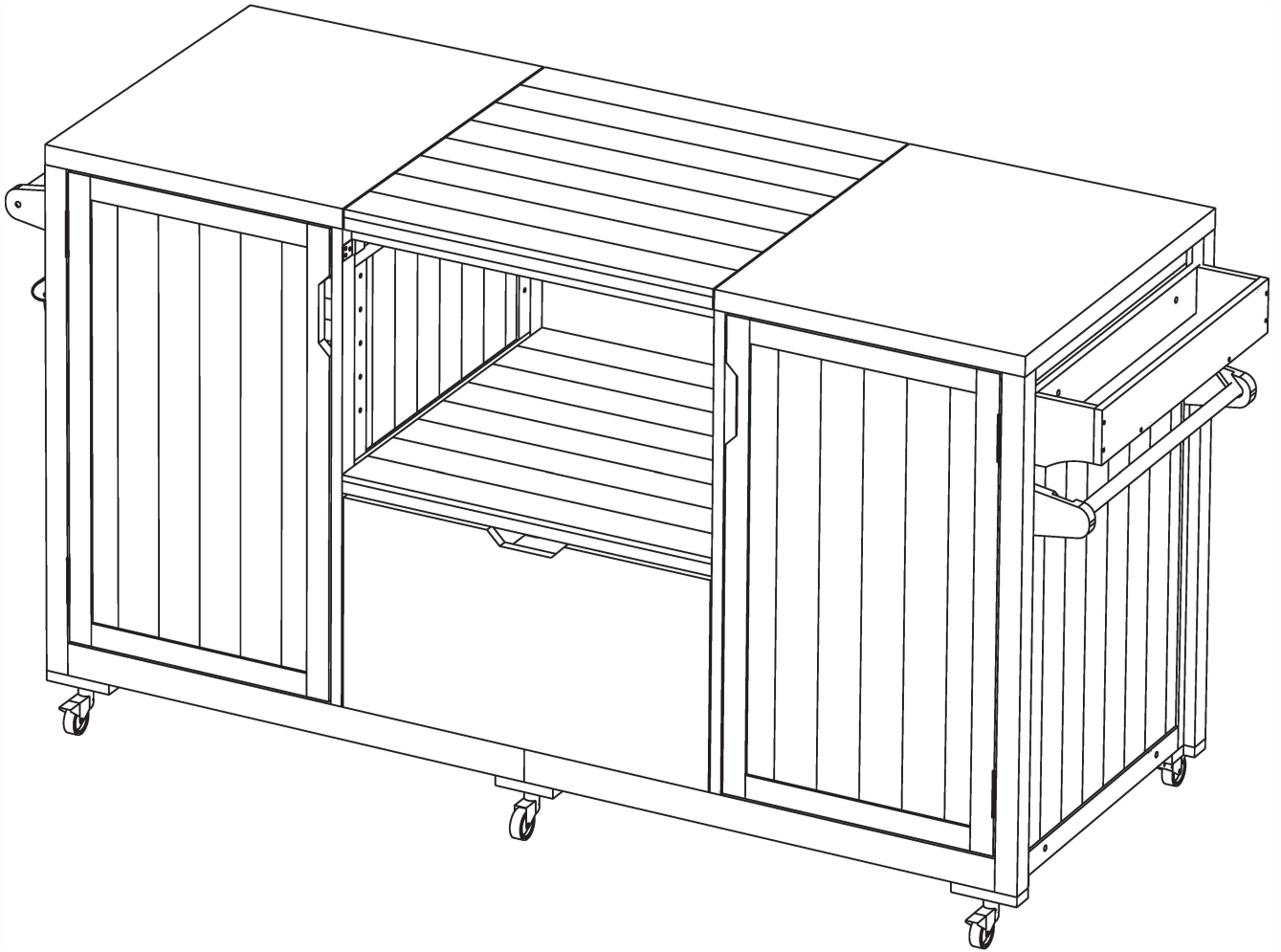


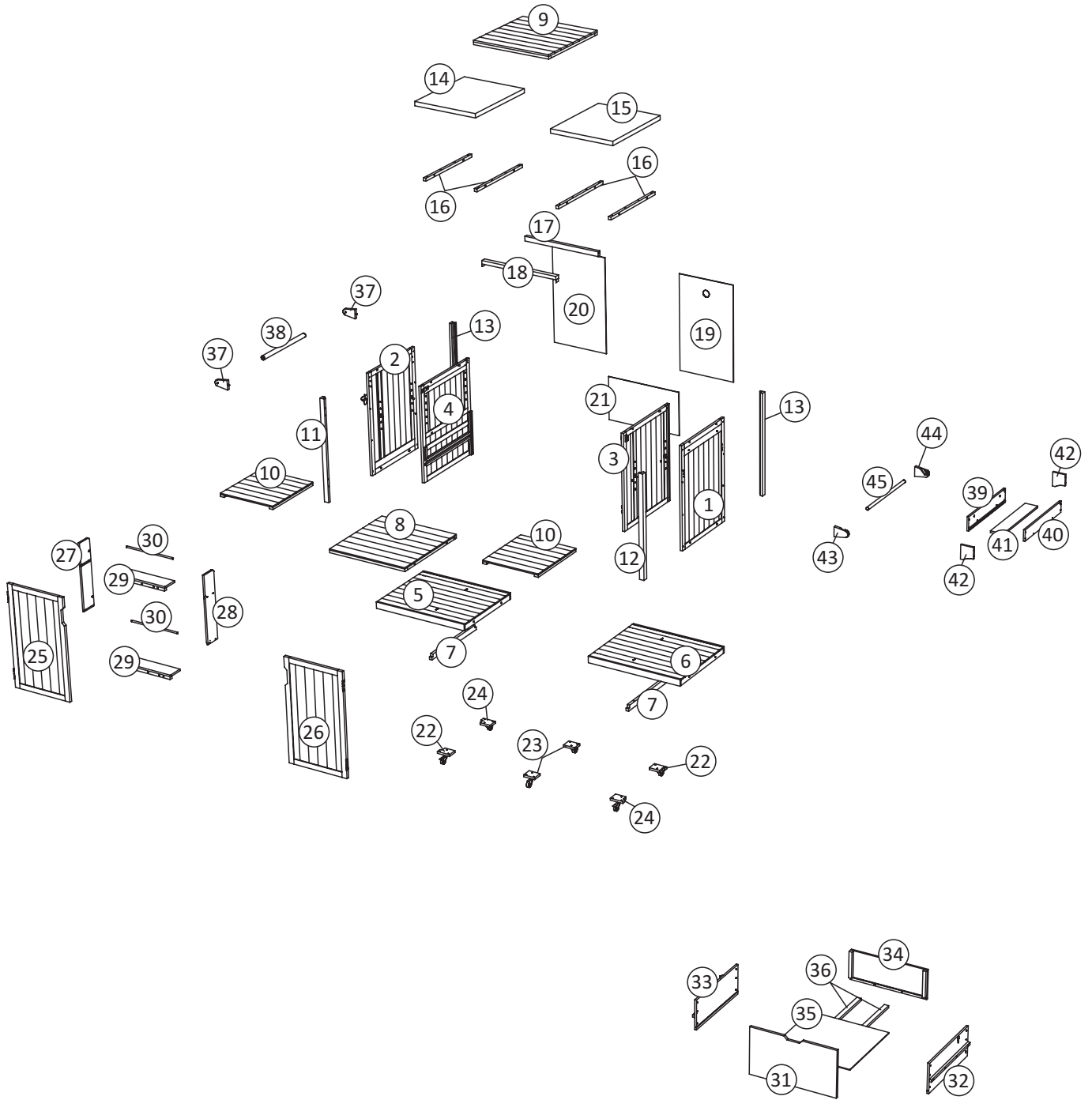
ASSEMBLY INSTRUCTION



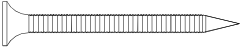










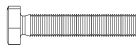
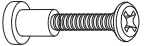




IMPORTANT NOTE:

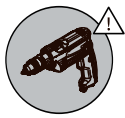
- ① PLACE ALL PARTS ON A CLEAN AND SMOOTH SURFACE SUCH AS A RUG OR CARPETTO AVOID THE PARTS FROM BEING SCRATCHED.
- ② BEFORE YOU BEGIN,KINDLY FOLLOW THE ASSEMBLY INSTRUCTIONS STEP BY STEP.
- ③ DO NOT TIGHTEN ALL SCREWS AND BOLTS UNTIL THIS ITEM IS FULLY SET-UP.

DETAIL VIEW



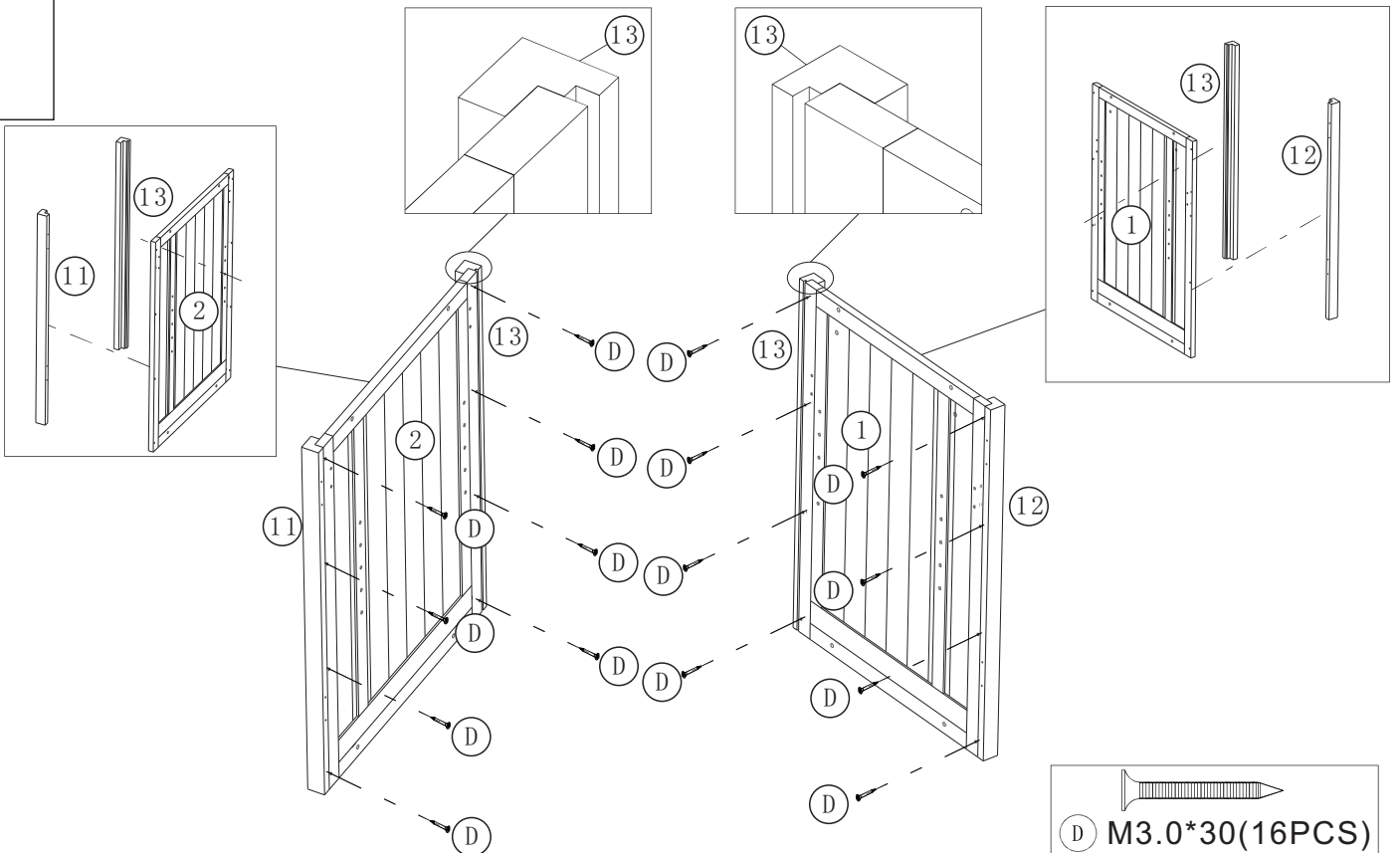
HARDWARE LIST

 Ⓐ M3.5*60(4+1PCS)	 Ⓑ M3.5*45(30+1PCS)	 Ⓒ M3.5*35(18+1PCS)	 Ⓓ M3.0*30(22+1PCS)
 Ⓔ M3.0*28(34+1PCS)	 Ⓕ M3.0*18(22+1PCS)	 Ⓖ M3.0*10(2PCS)	 Ⓗ M3.5*25(2PCS)
 Ⓘ M6.0*20(24+1PCS)	 Ⓙ M6*50(4PCS)	 Ⓚ M6*45(14PCS)	 Ⓛ M6*35(2PCS)
 Ⓜ M6*16(2PCS)	Ⓝ 18+2PCS	Ⓞ 2PCS	Ⓟ 1PC
 2PCS	 12PCS	 2PCS	 4PCS
Ⓤ 2PCS	Ⓟ 1PC	Ⓡ 5PCS	

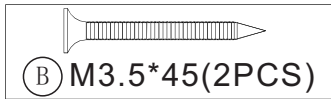
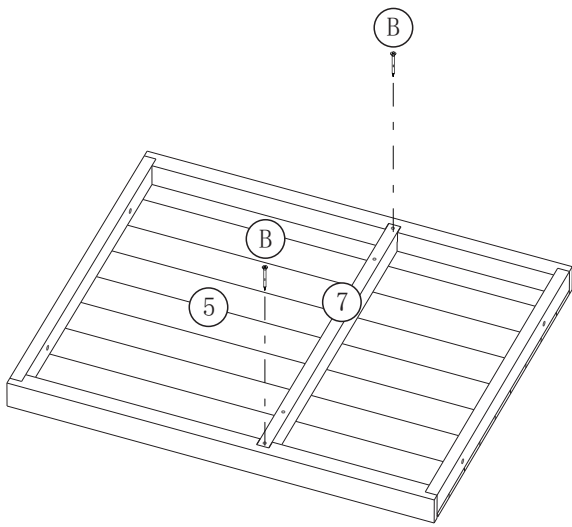


PLEASE BE CAREFUL DO NOT DAMAGE THE HOLE POSITION WHEN YOU USE POWERTOOLS

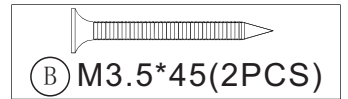
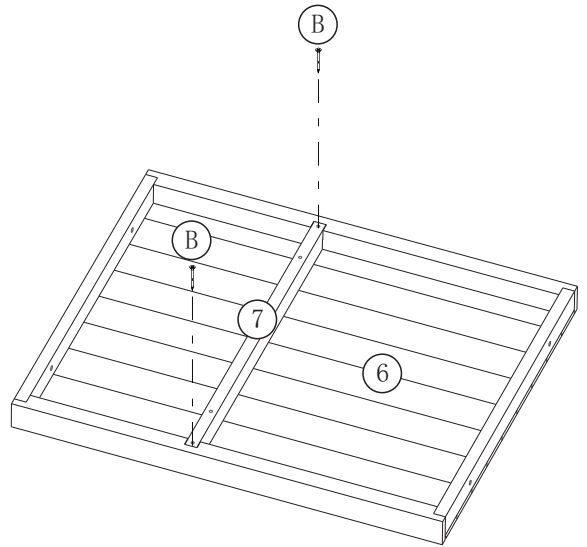
1



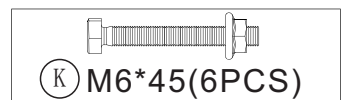
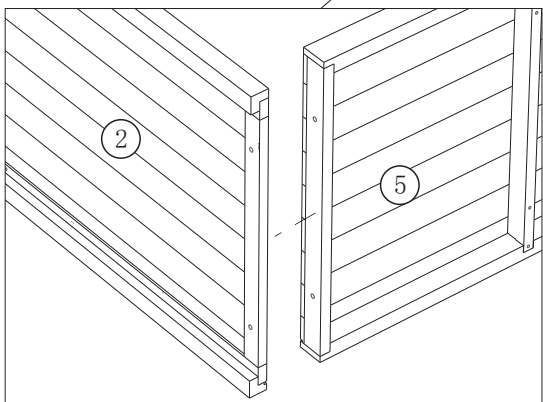
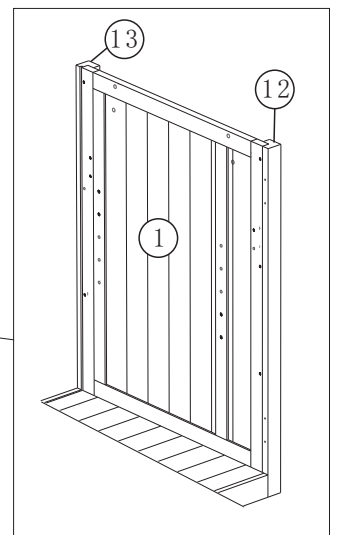
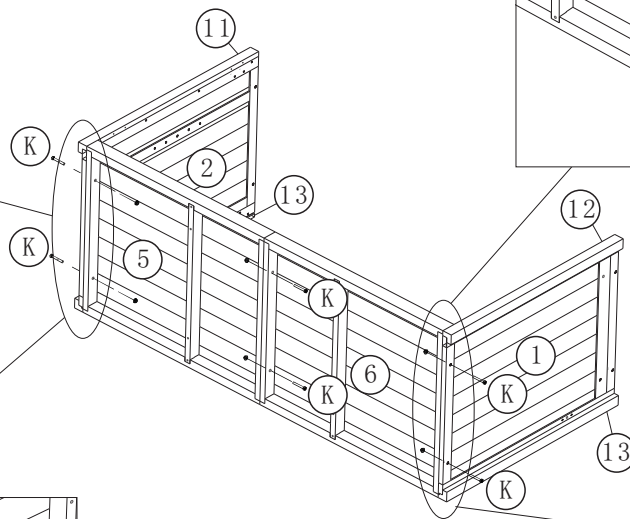
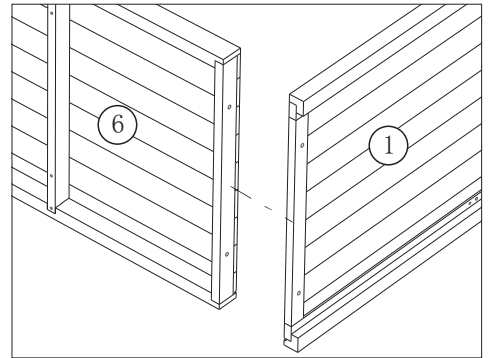
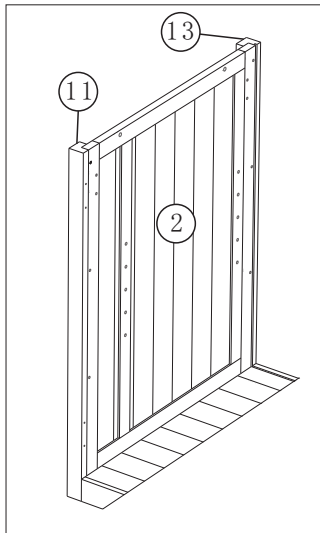
2



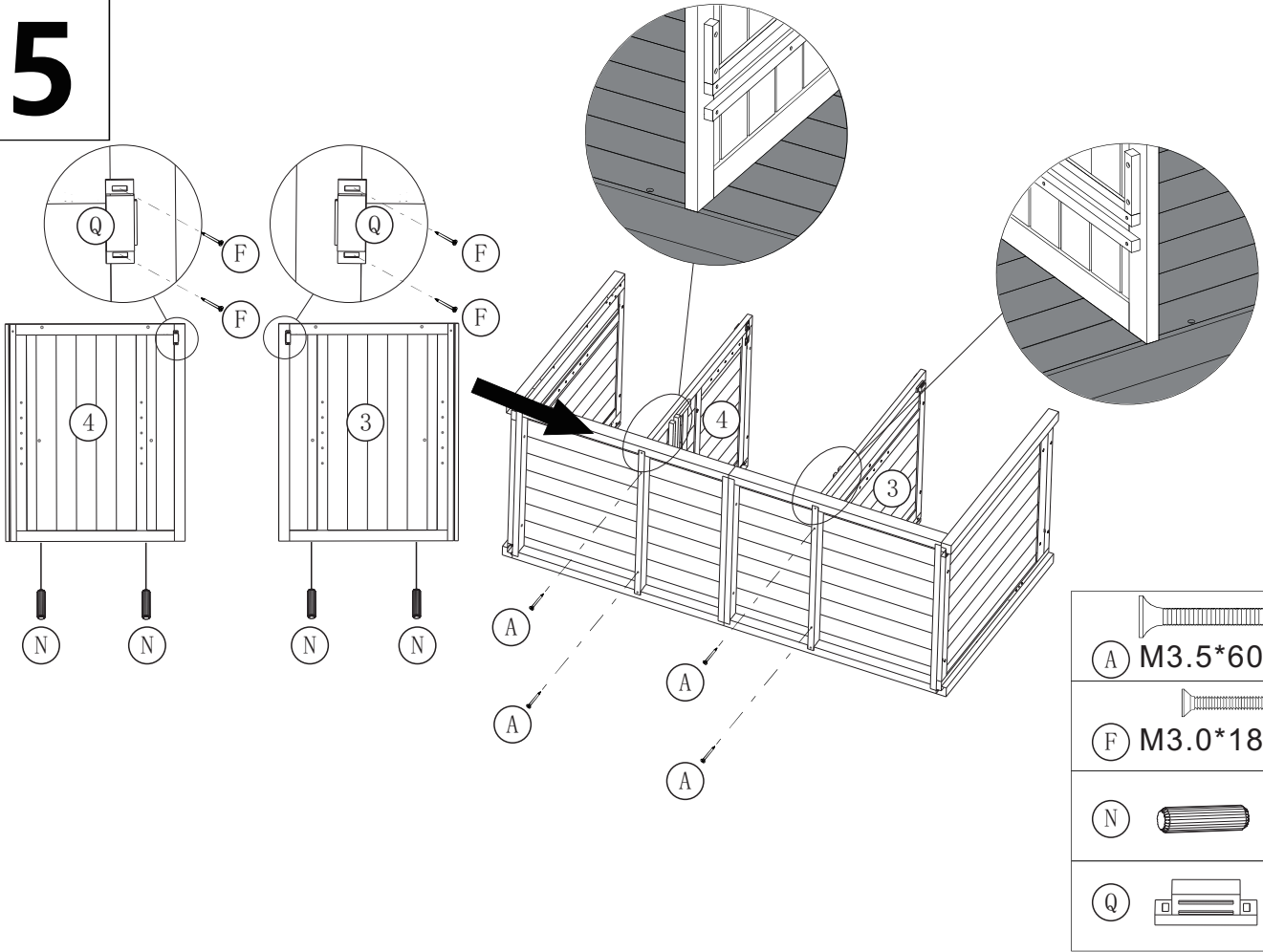
3



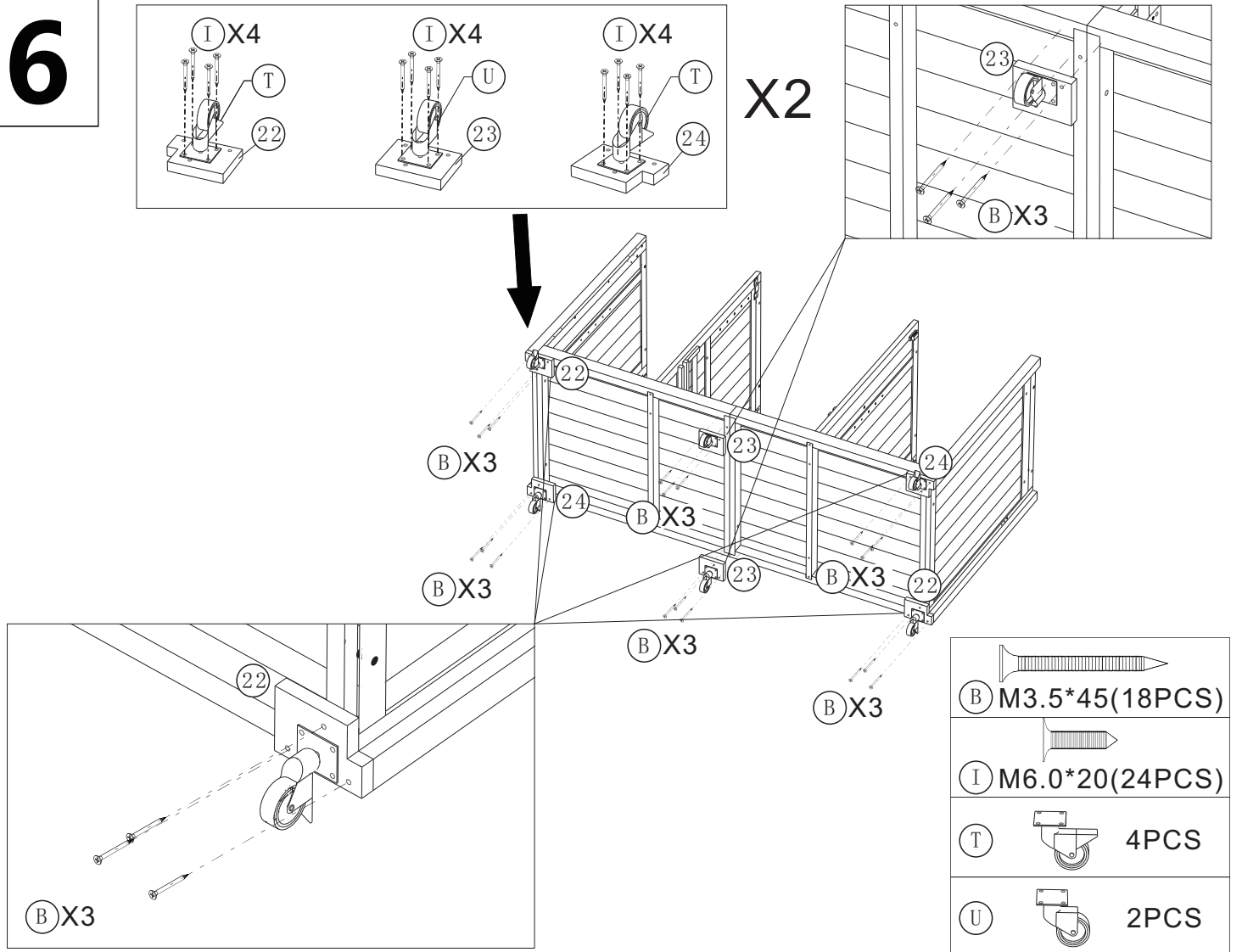
4



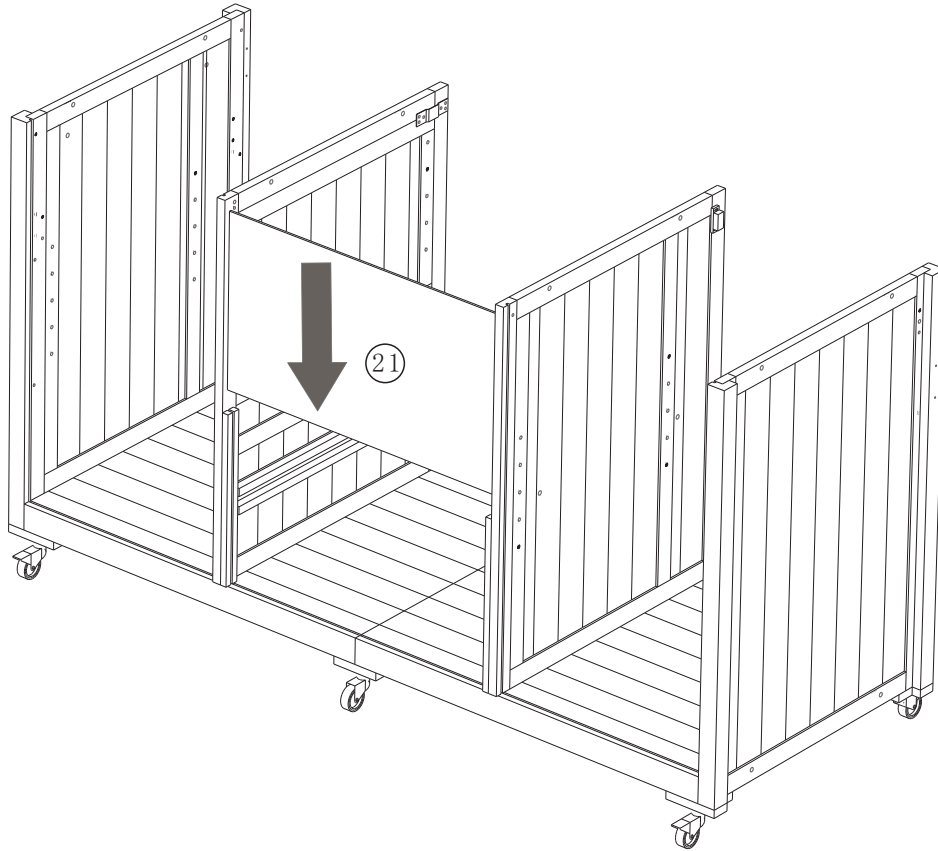
5



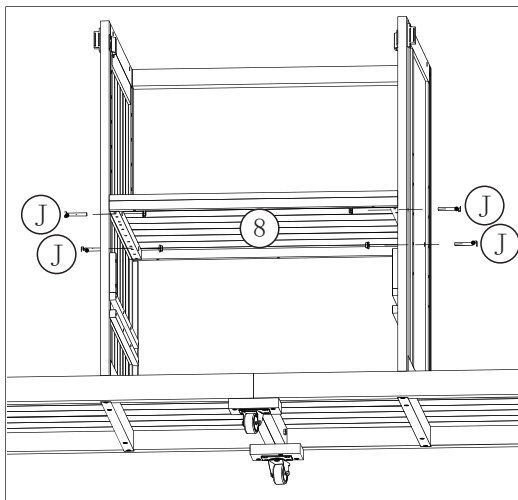
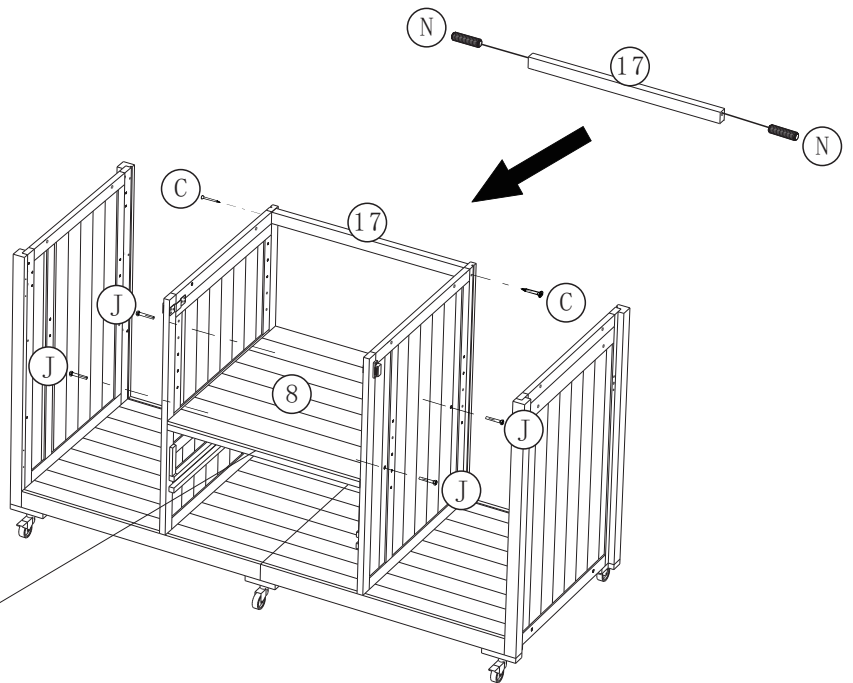
6






7

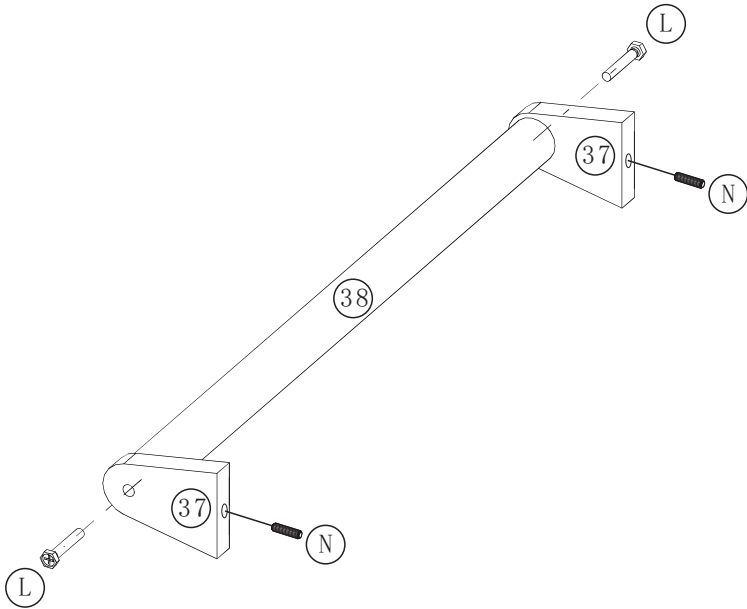



8



- | | |
|---|--------------------------|
|  | (C) M3.5*35(2PCS) |
|  | (J) M6*50(4PCS) |
|  | (N) 2PCS |

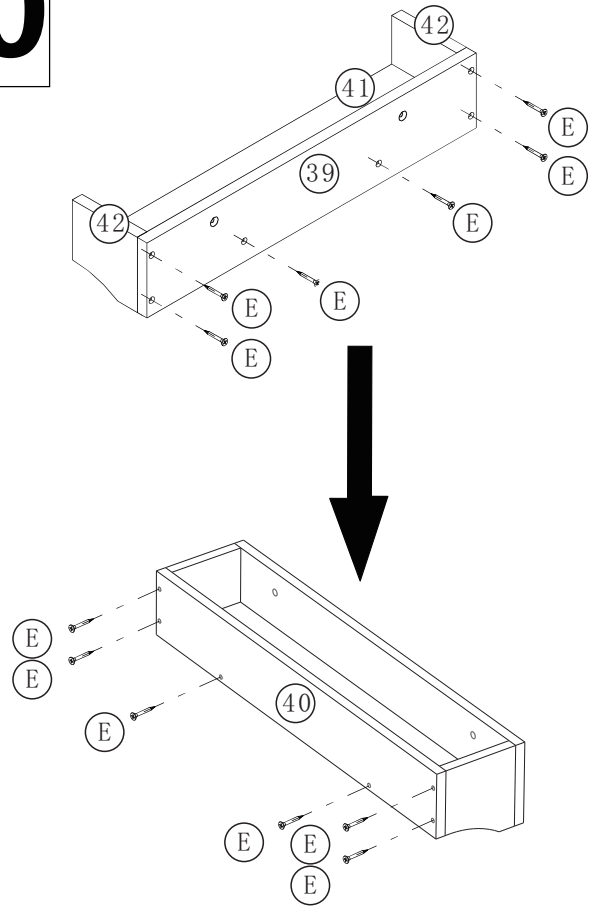
9




(L)  M6*35(2PCS)

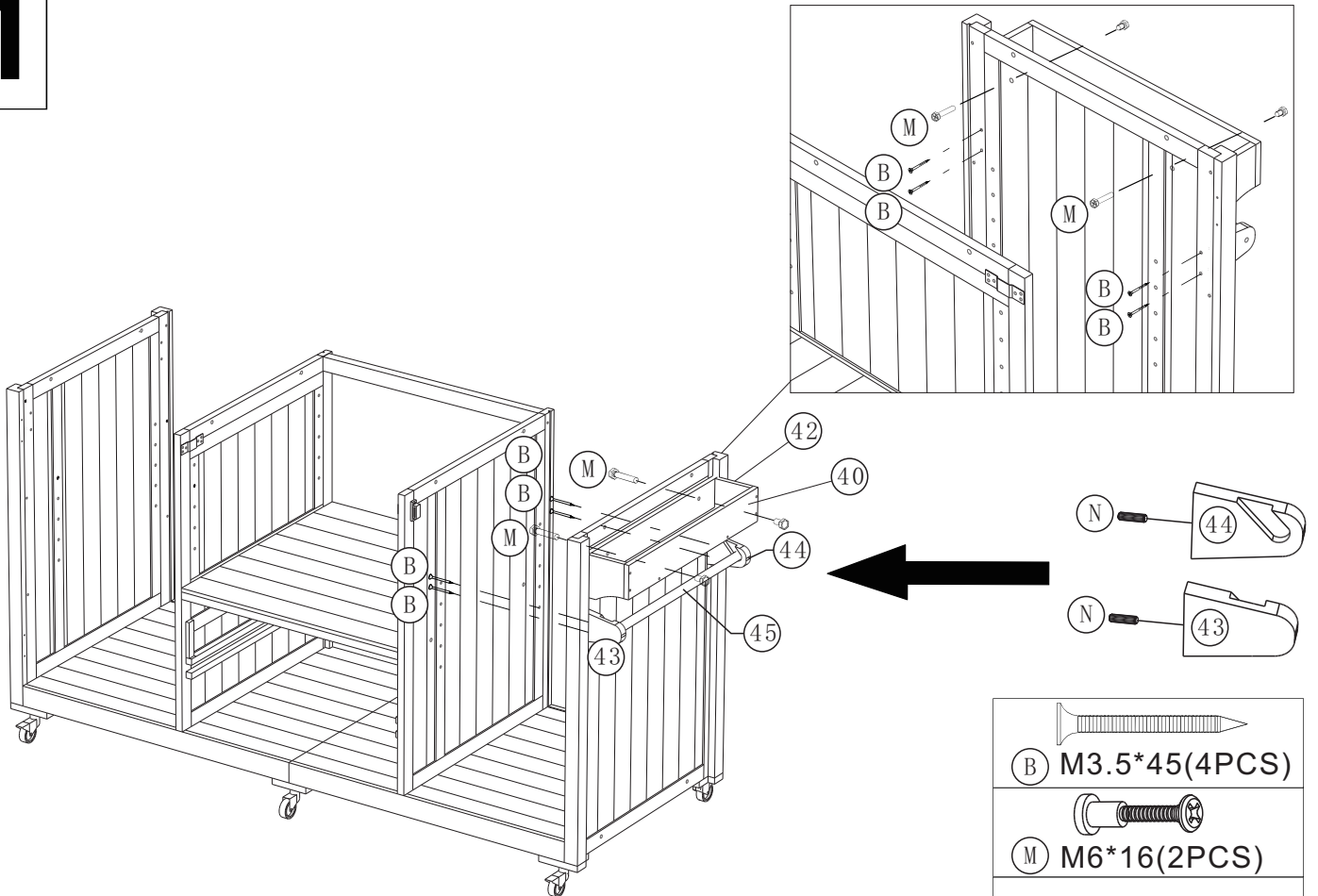
(N)  2PCS


10





(E)  M3.0*28(12PCS)

11

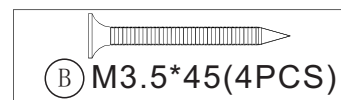
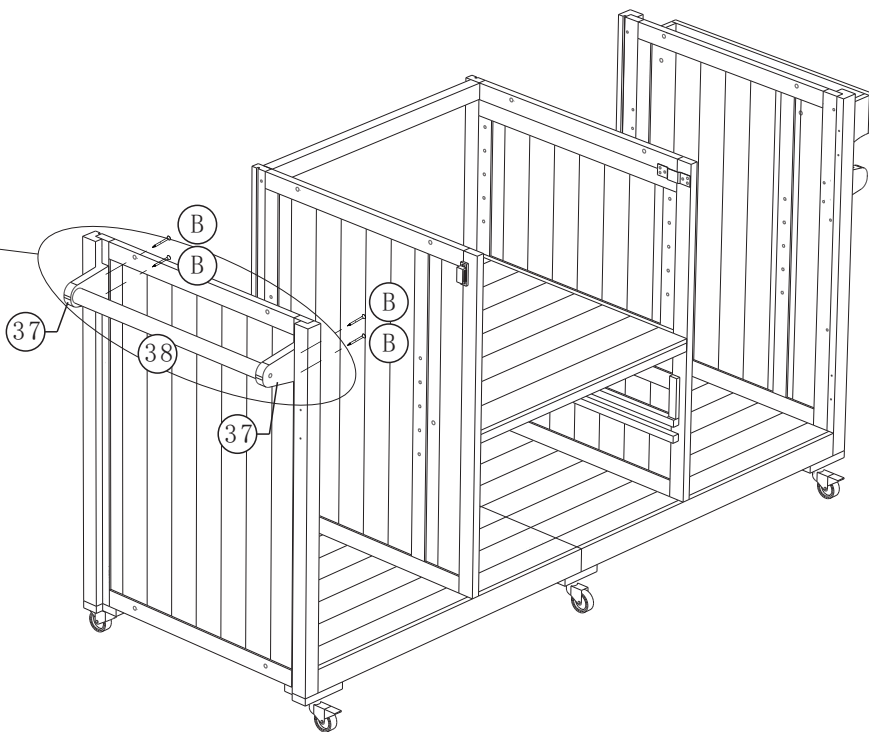
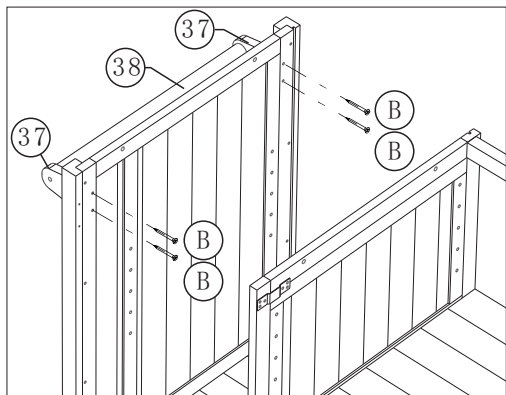


(B)  M3.5*45(4PCS)

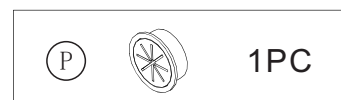
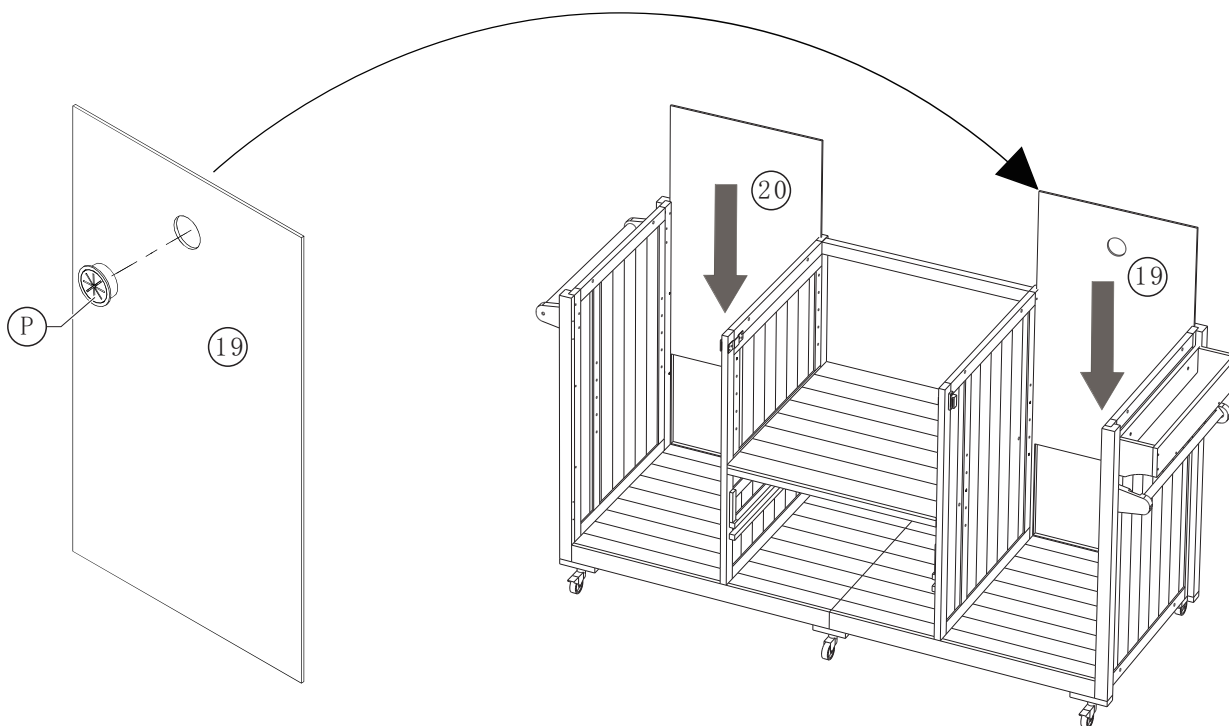
(M)  M6*16(2PCS)

(N)  2PCS

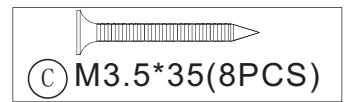
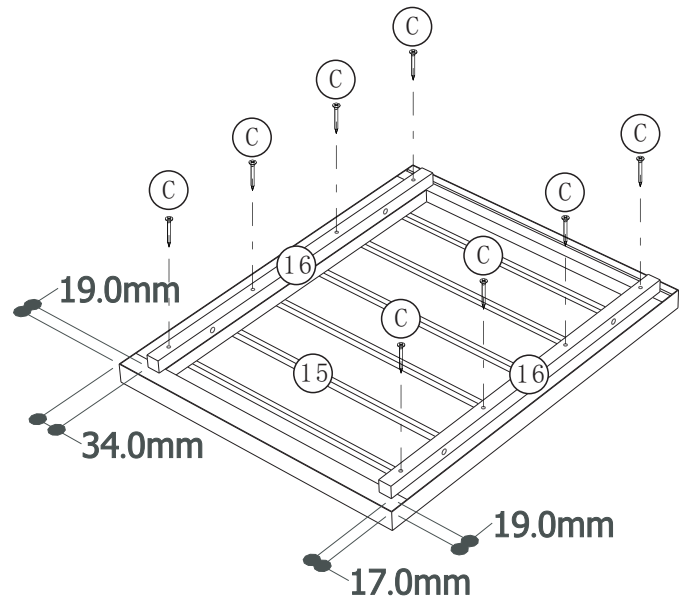
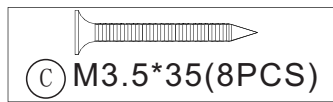
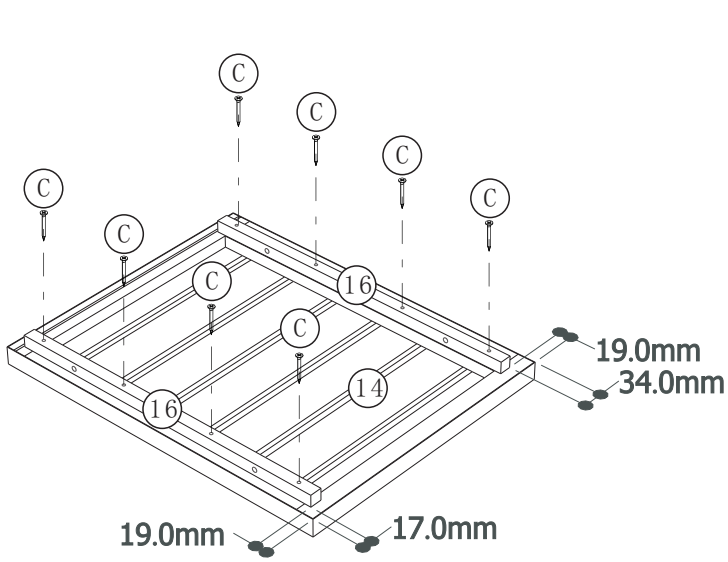
12



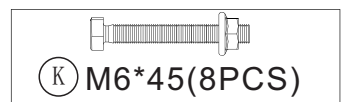
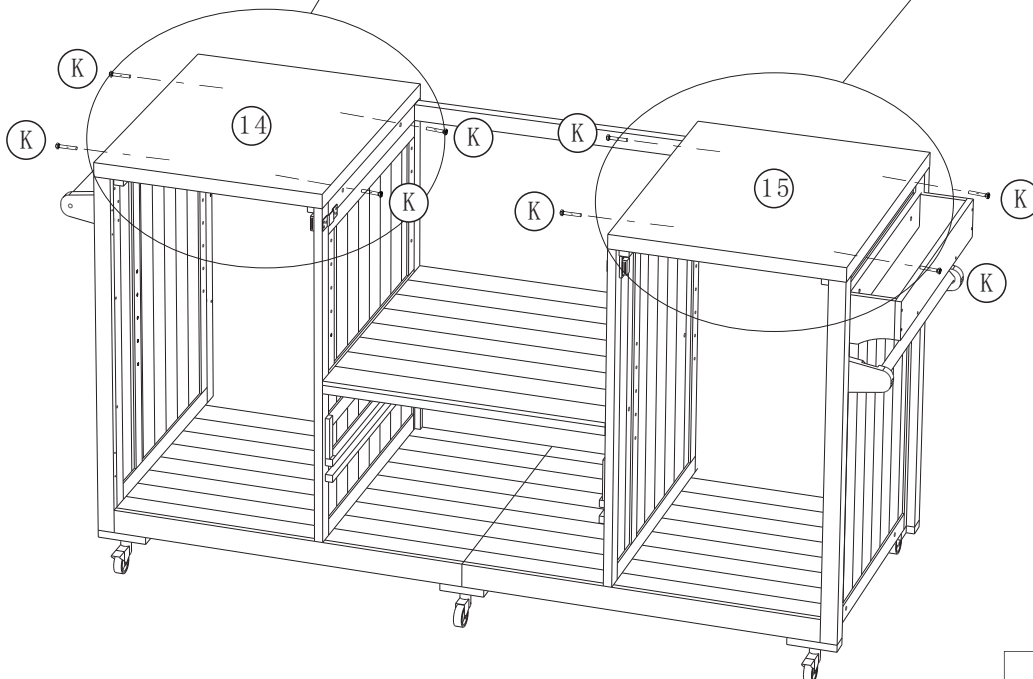
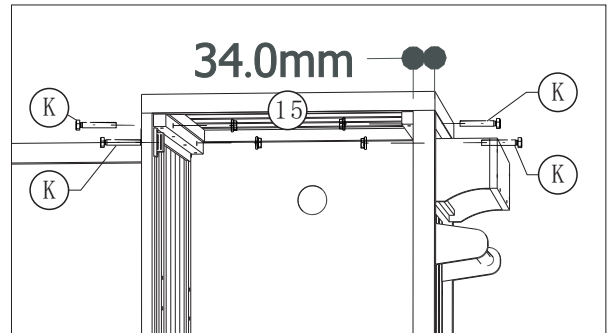
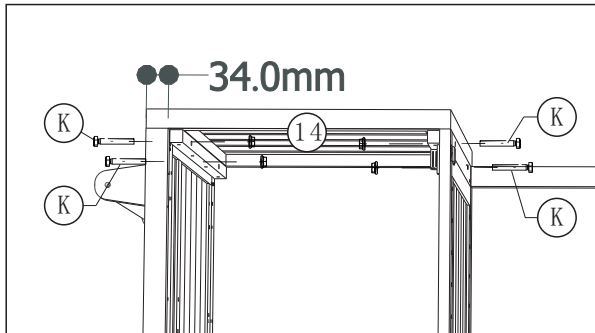
13



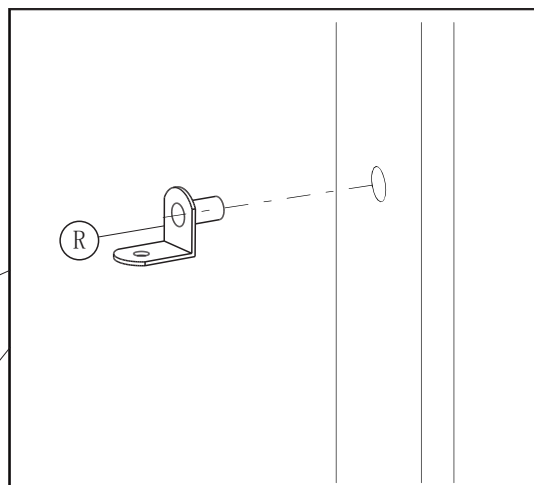
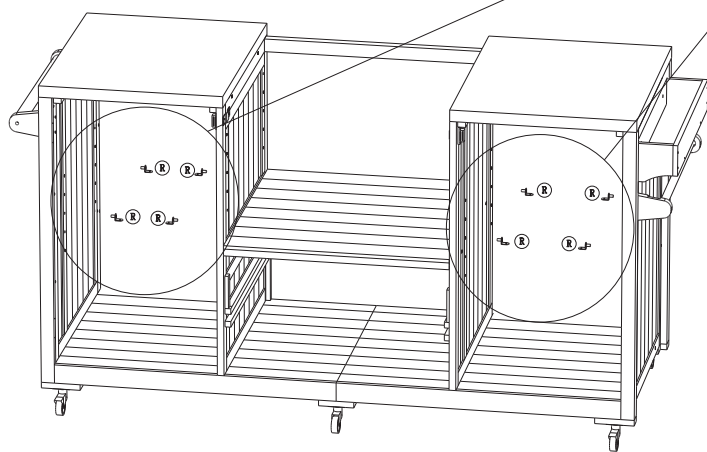
14



15

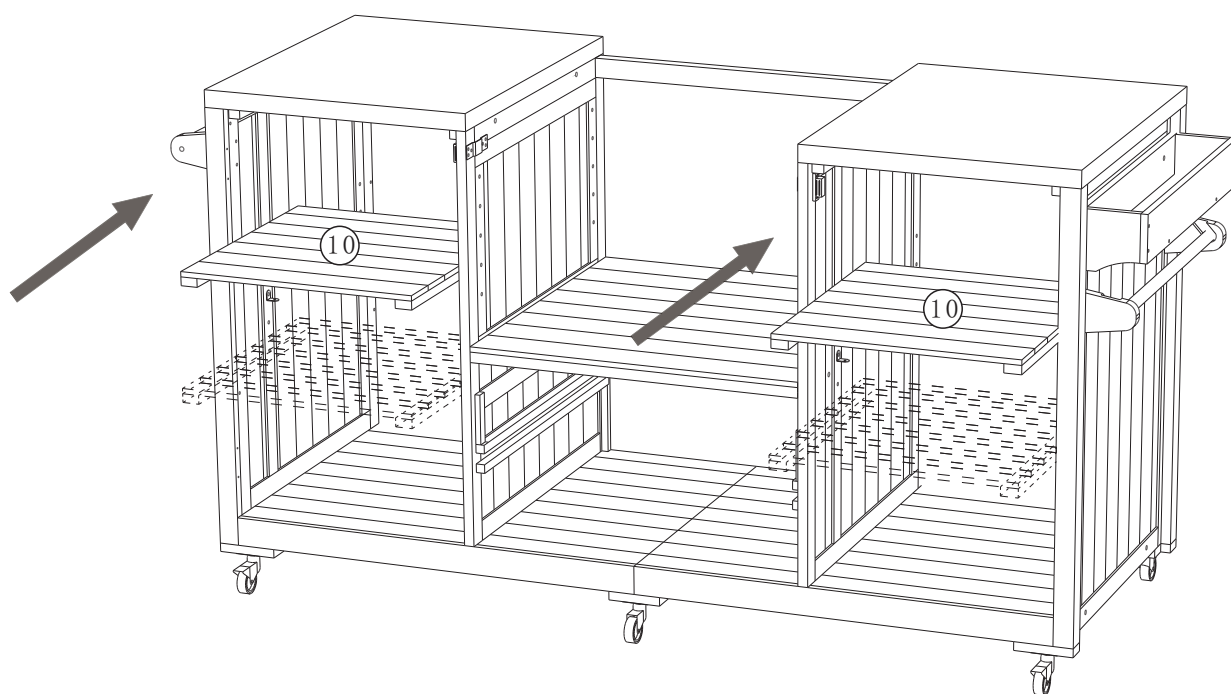


16



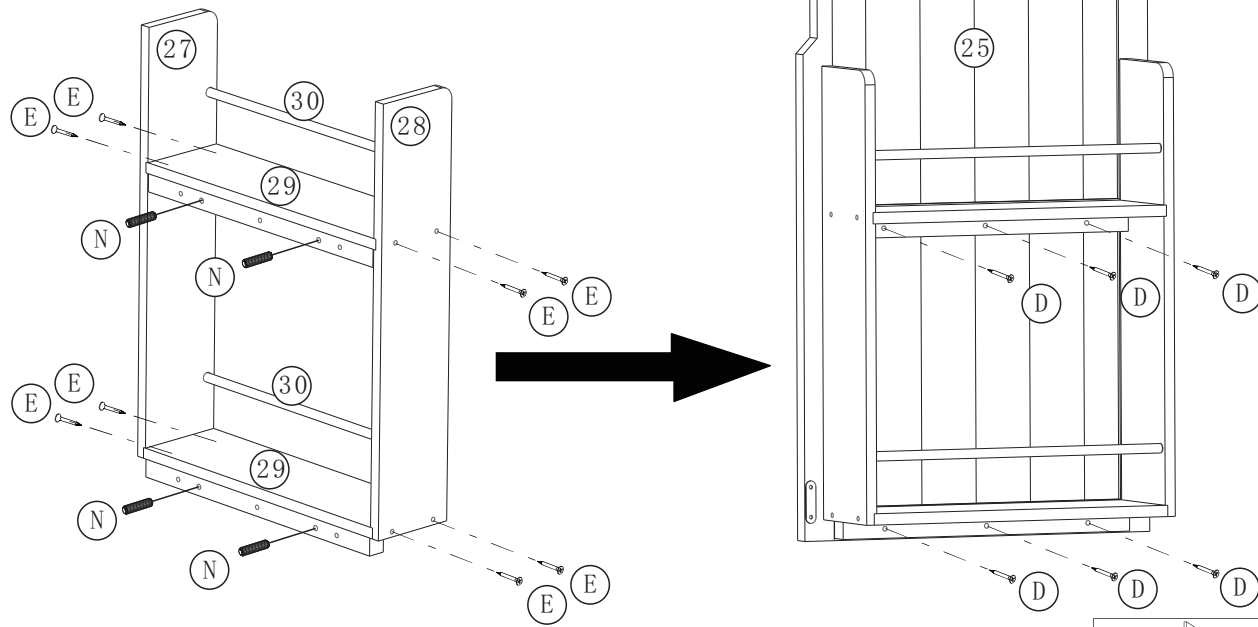
  8PCS




17



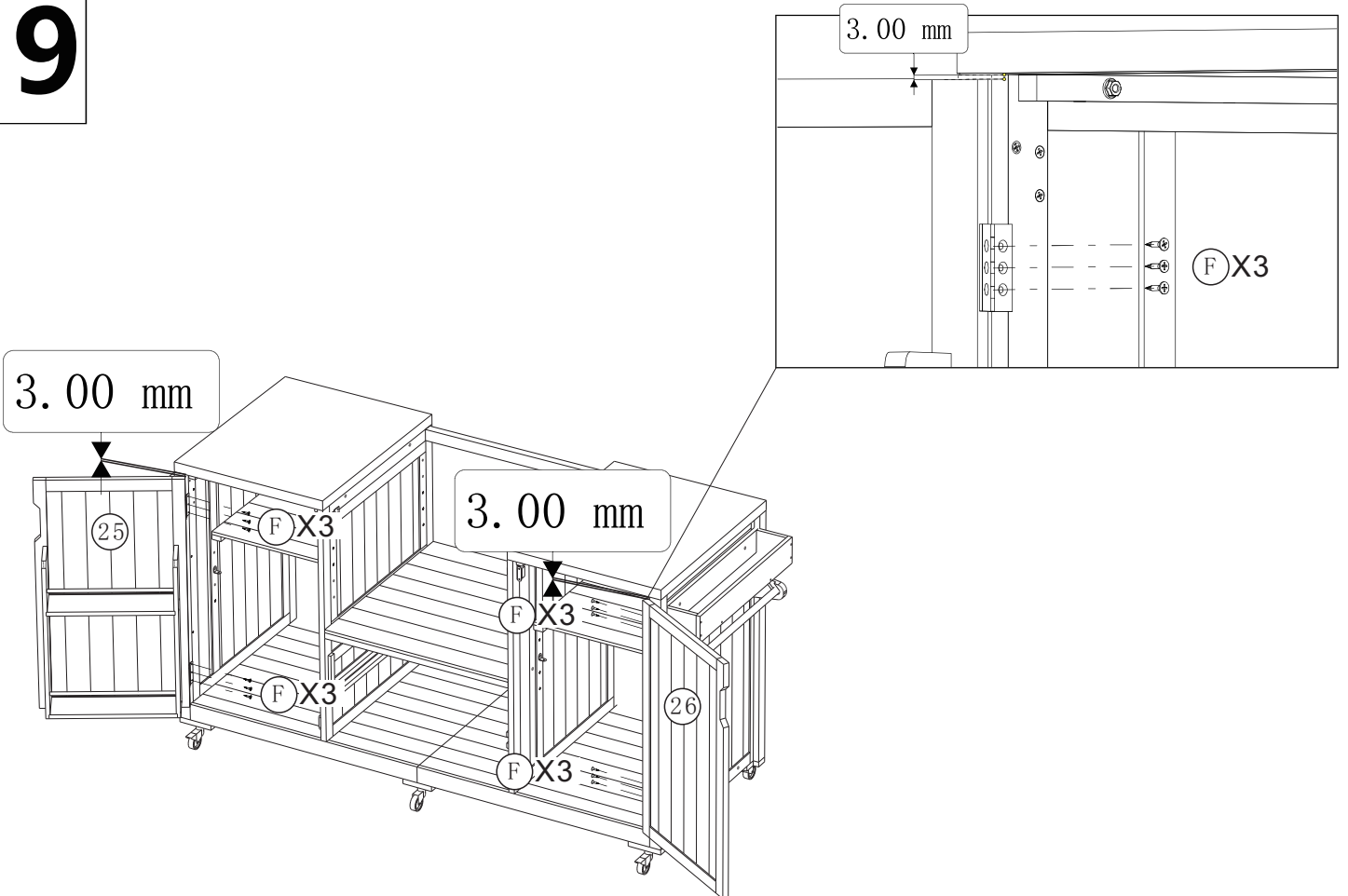
The two shelves ⑩ can be put into any left or right side as desired.
The height can be freely adjusted.


18



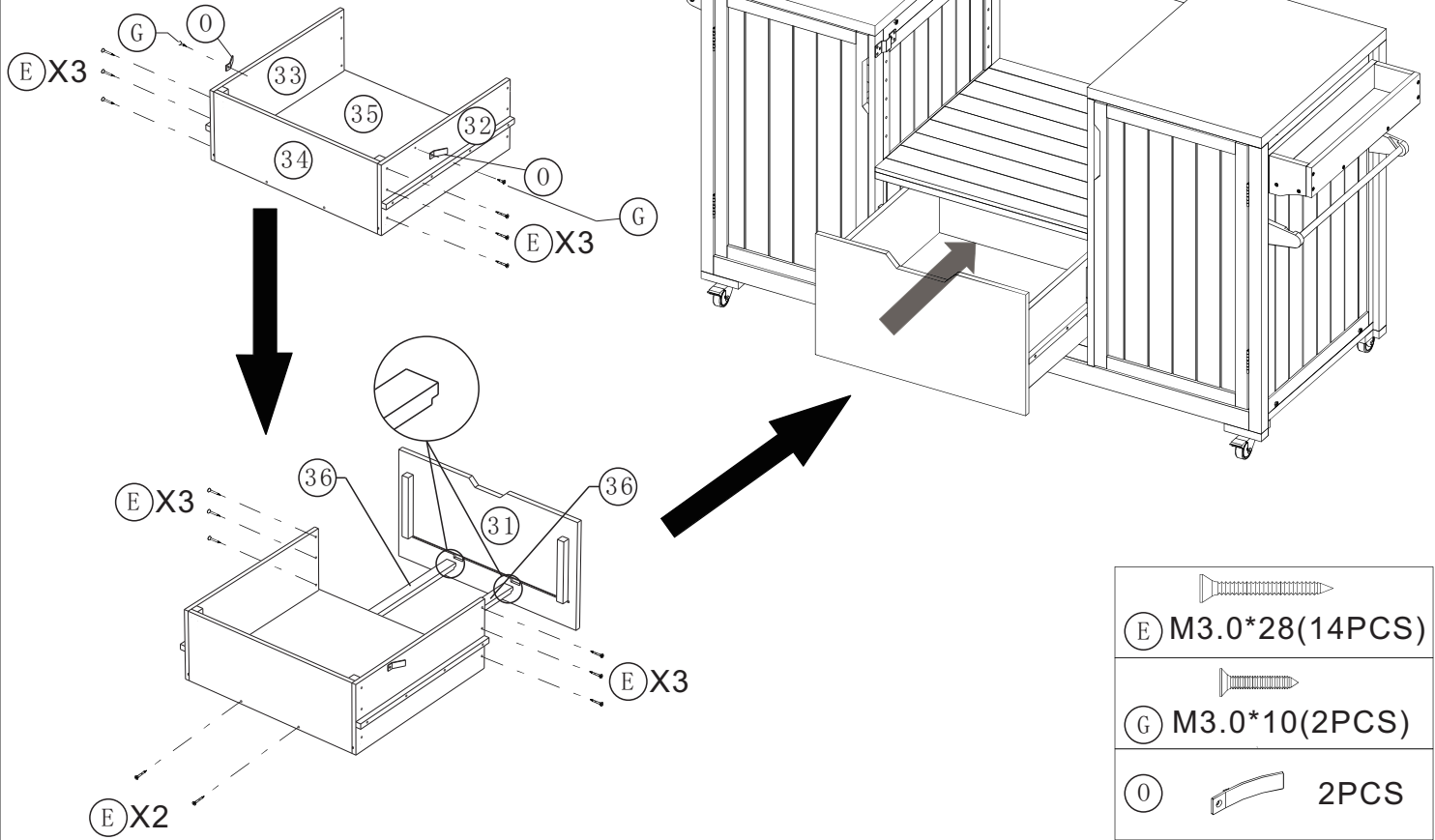
-  (D) M3.0*30(6PCS)
-  (E) M3.0*28(8PCS)
-  (N) 4PCS



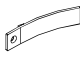
19



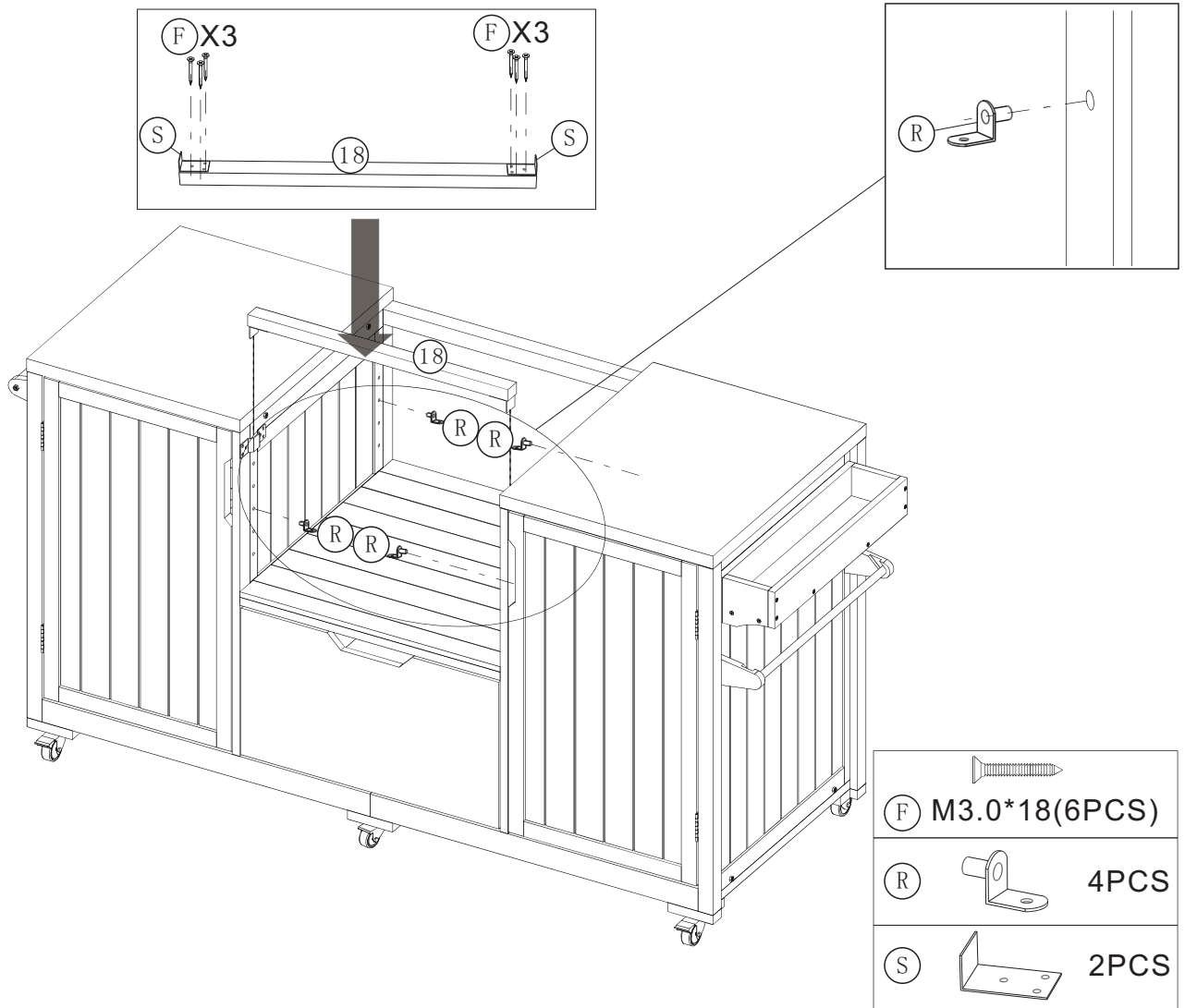
-  (F) M3.0*18(12PCS)


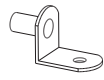
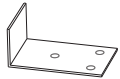
20

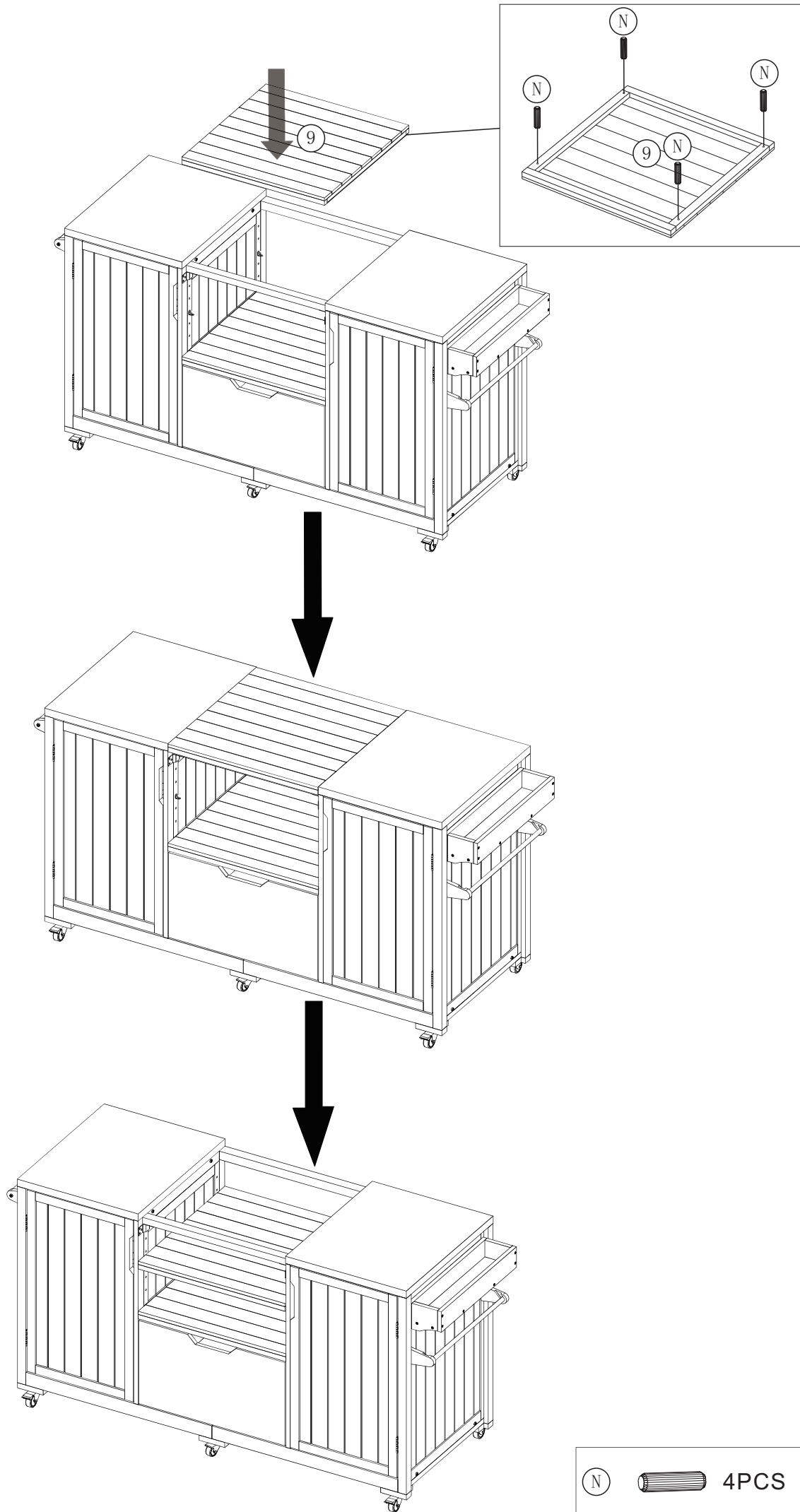


	(E) M3.0*28(14PCS)
	(G) M3.0*10(2PCS)
	(O) 2PCS

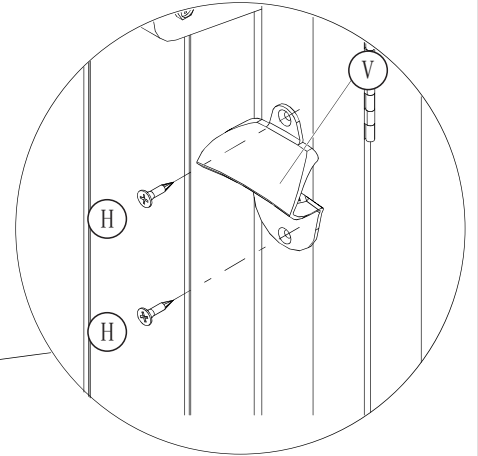
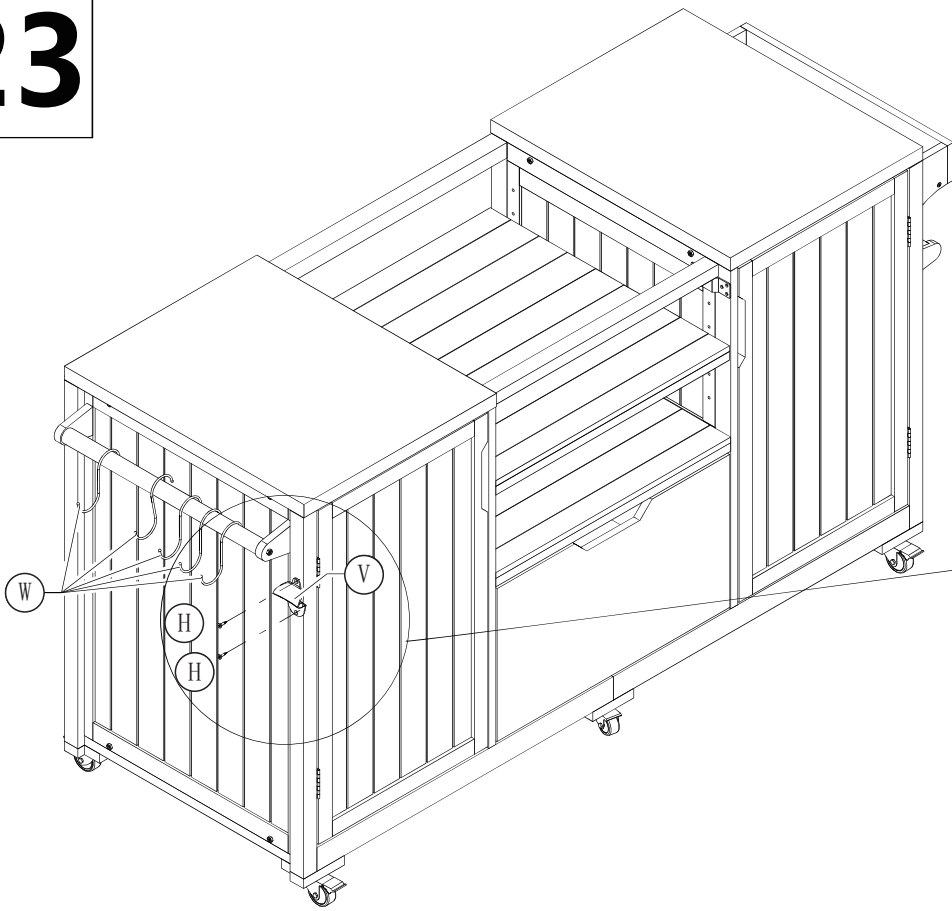
21



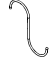


	(F) M3.0*18(6PCS)
	(R) 4PCS
	(S) 2PCS



23



	(H) M3.5*25(2PCS)
	(V) 1PC
	(W) 5PCS

24

