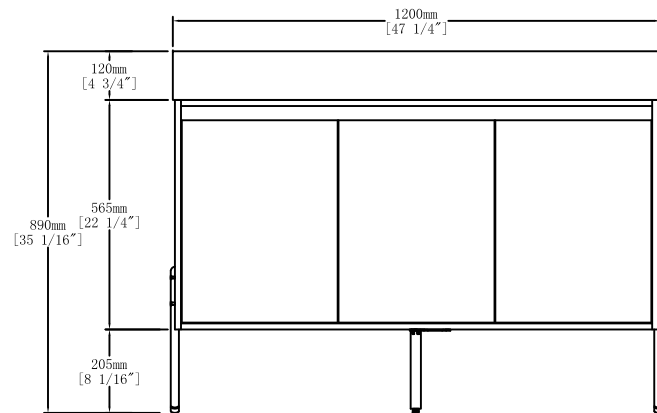
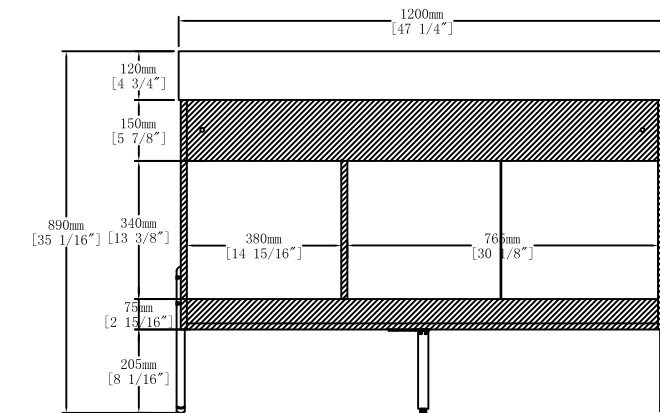


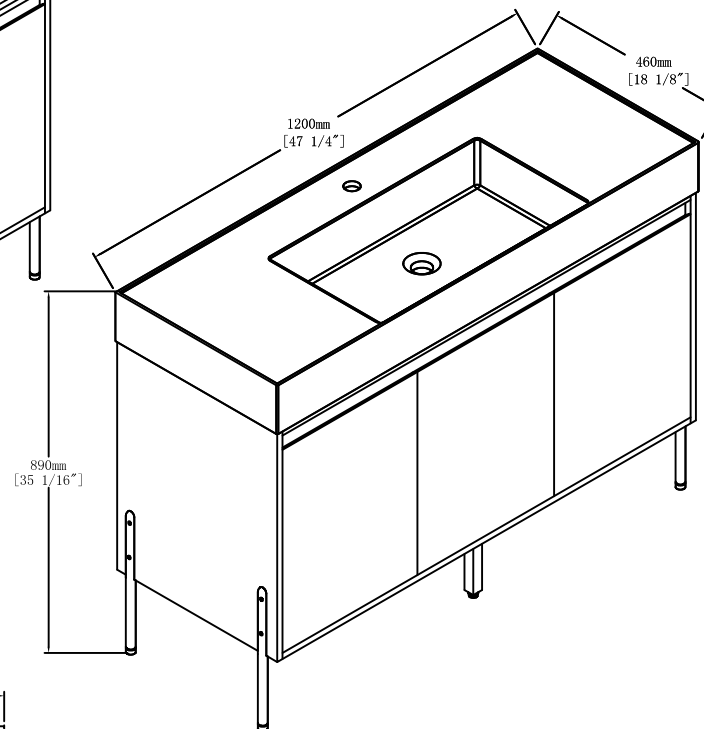
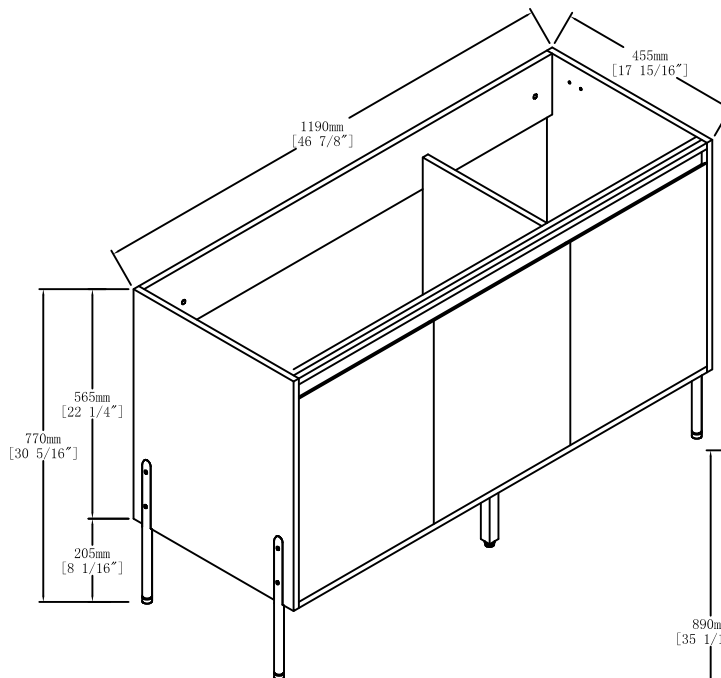
Top View



Front View



Back View



Item NO.

LV C1148

Version

V1

Project

Date

2024-4-23