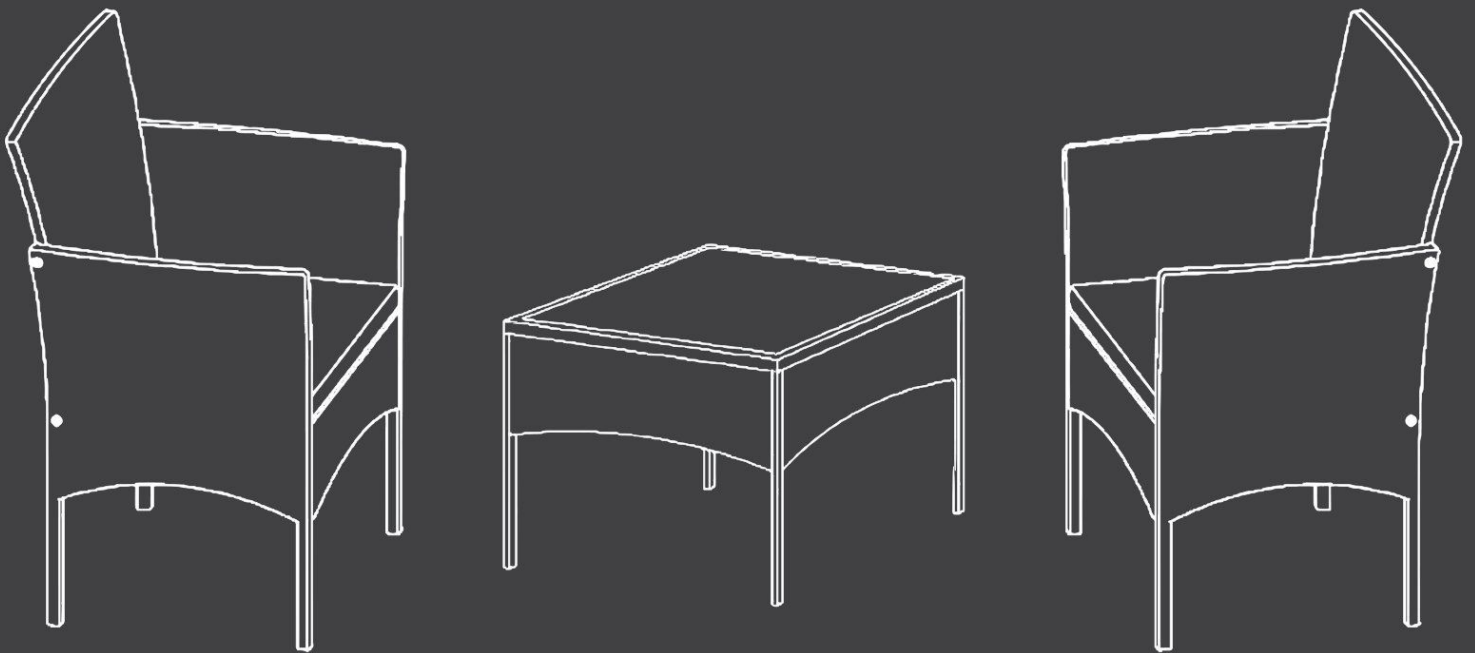


Patio Furniture Set 3PCS Rattan Chairs

Instruction Manual



WARNING

- Make sure all parts are in the package.
- Some parts may contain sharp edges, please wear protective gloves.
- Keep all children and pets away from assembly area.
- Make sure all screws are tightened before use.
- Weight limited for each set: 250 lbs (113.5kg).
- Please note that gloves are worn during installation.

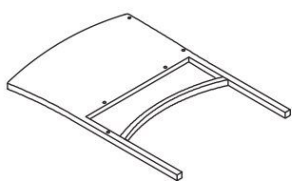
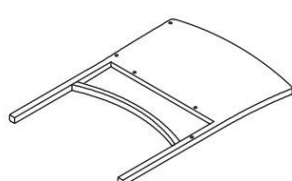
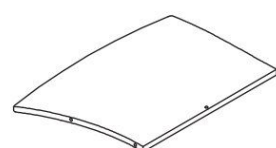
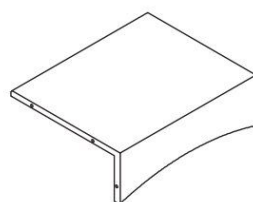
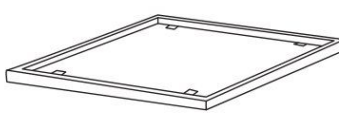
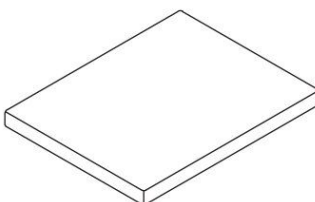
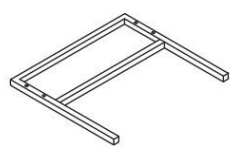
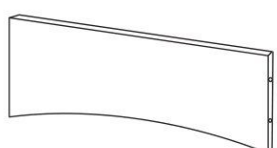

Care and Maintenance:

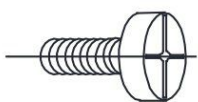

1. Clean the sofa thoroughly with a soft dry towel before use.
2. Wipe off dirt when not in use and wash with mild soapy water;
Rinse thoroughly and dry completely.
3. Check the nuts, bolts and retighten them if necessary.
4. Put the cushions away when not in use to prolong the life of the product.

Part List & Assembly Instruction

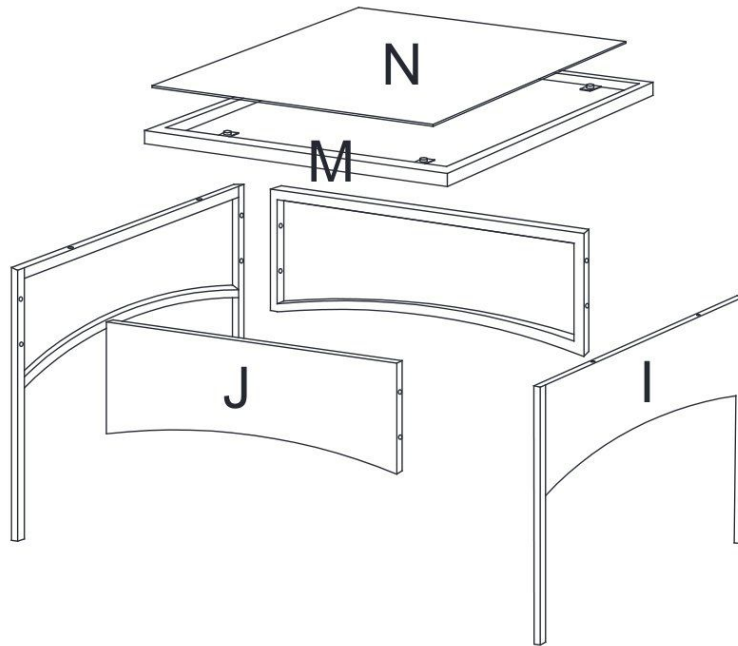
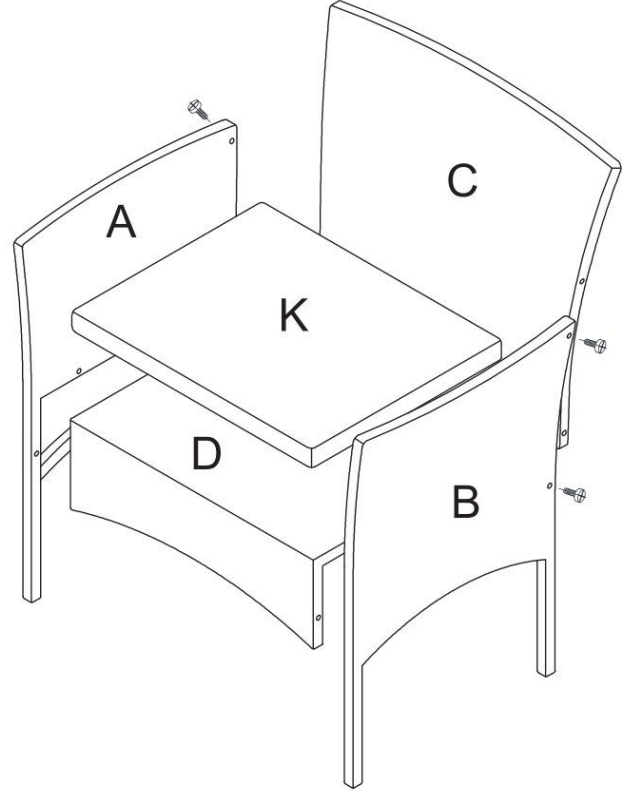
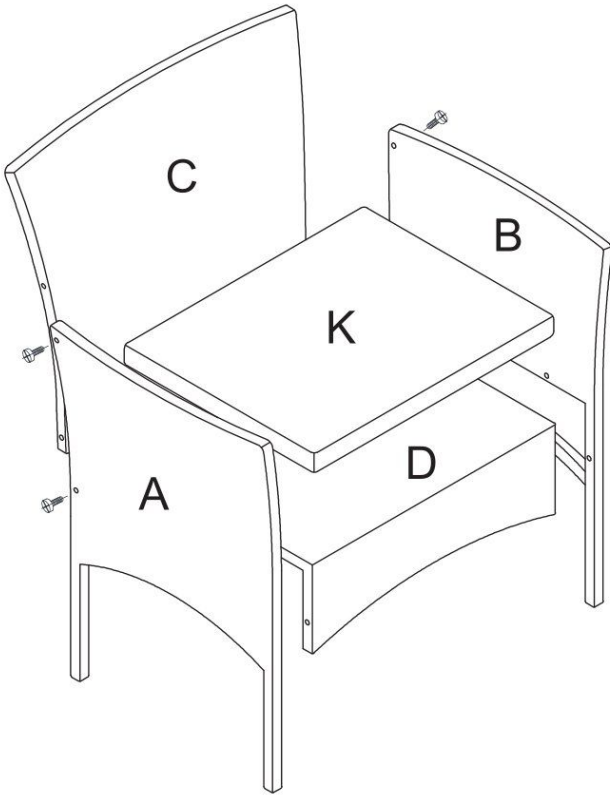
1. Make sure all parts are in the package.

2. Do not tighten all bolts until they have been installed in corresponding locations.

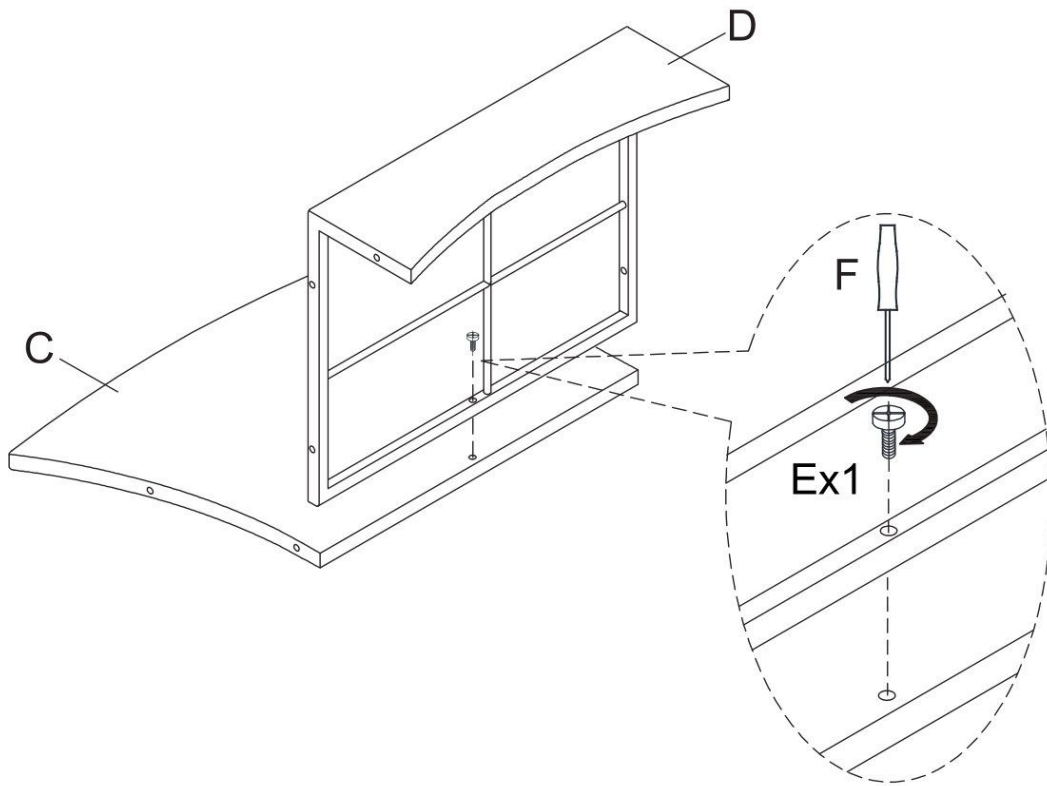
A *2 	B *2 	C *2 
D *2 	M *1 	K *1 
I *2 	J *2 	N *1 

E *34 M6*35mm 	F *1 
---	--

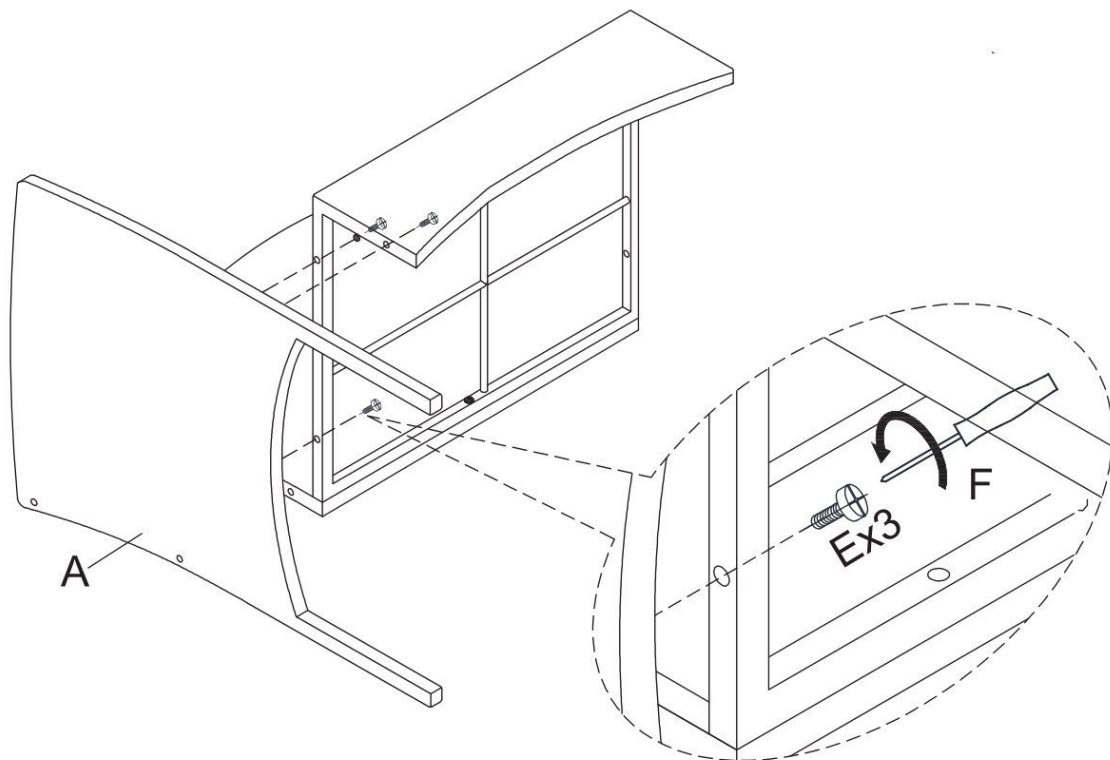
DESCRIPTION



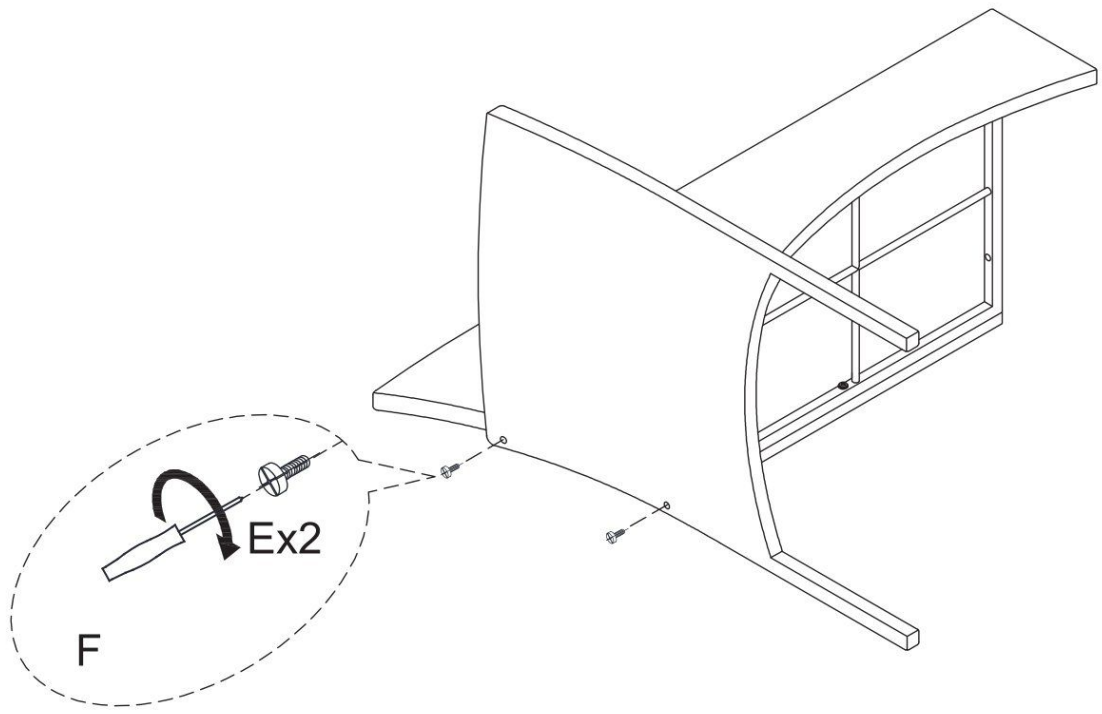
Step 1



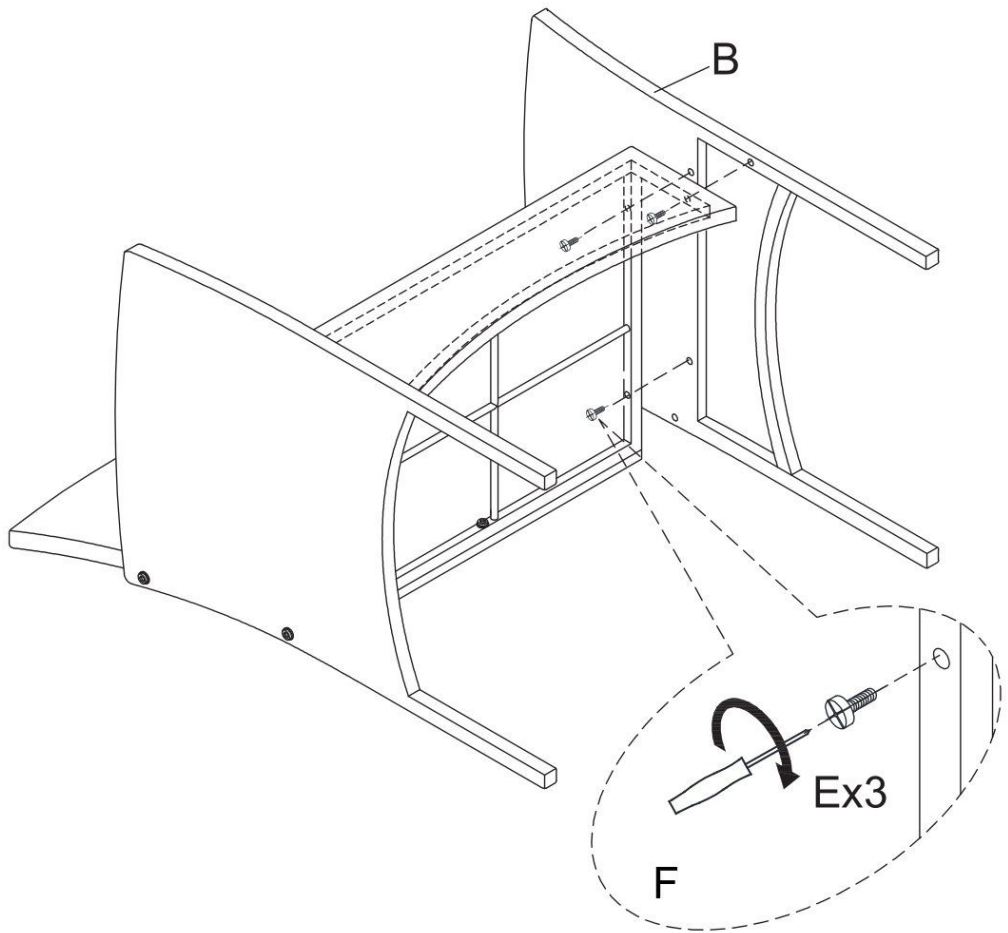
Step 2



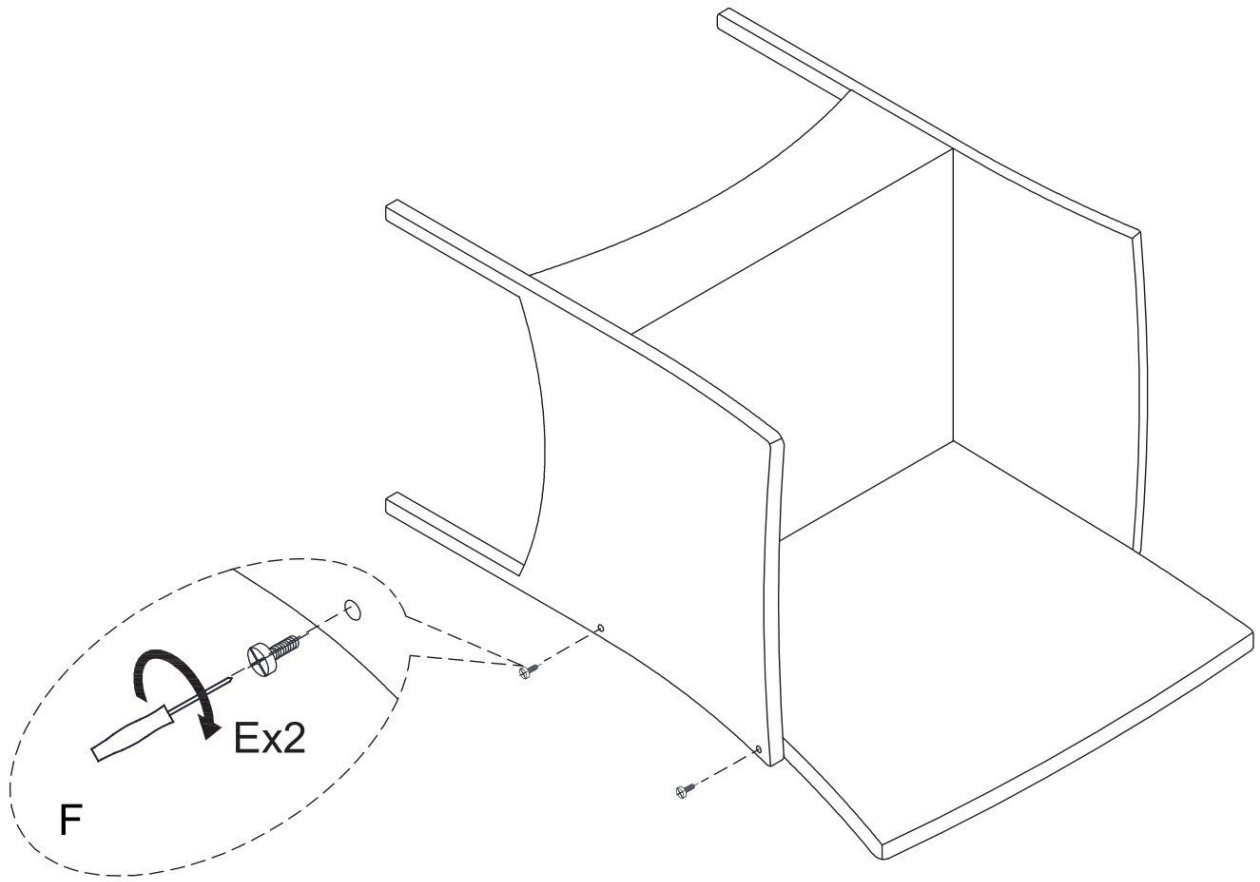
Step 3



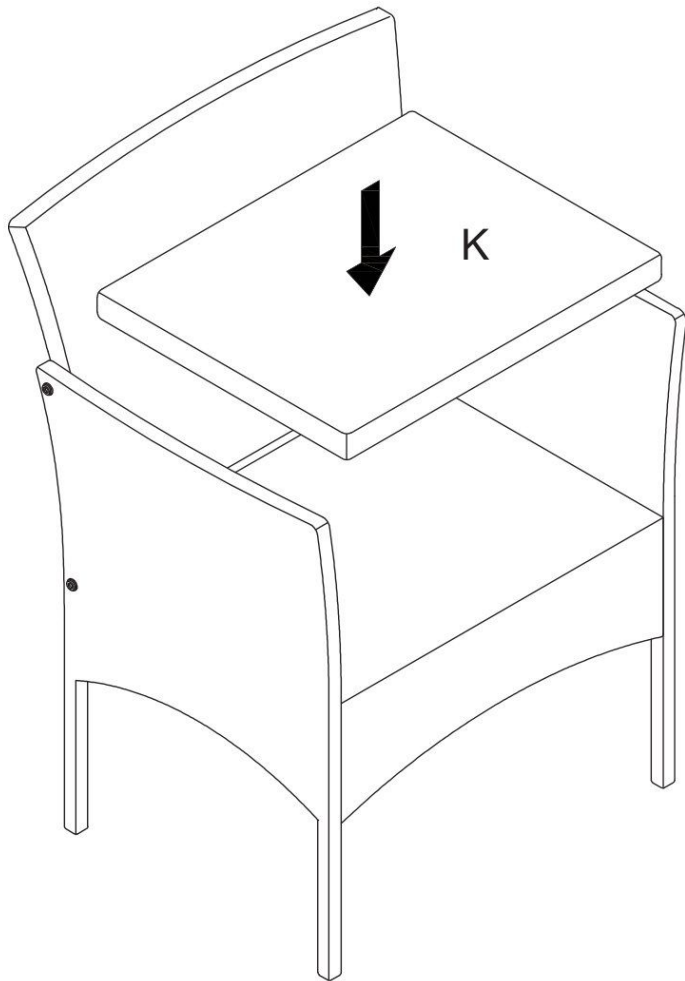
Step 4



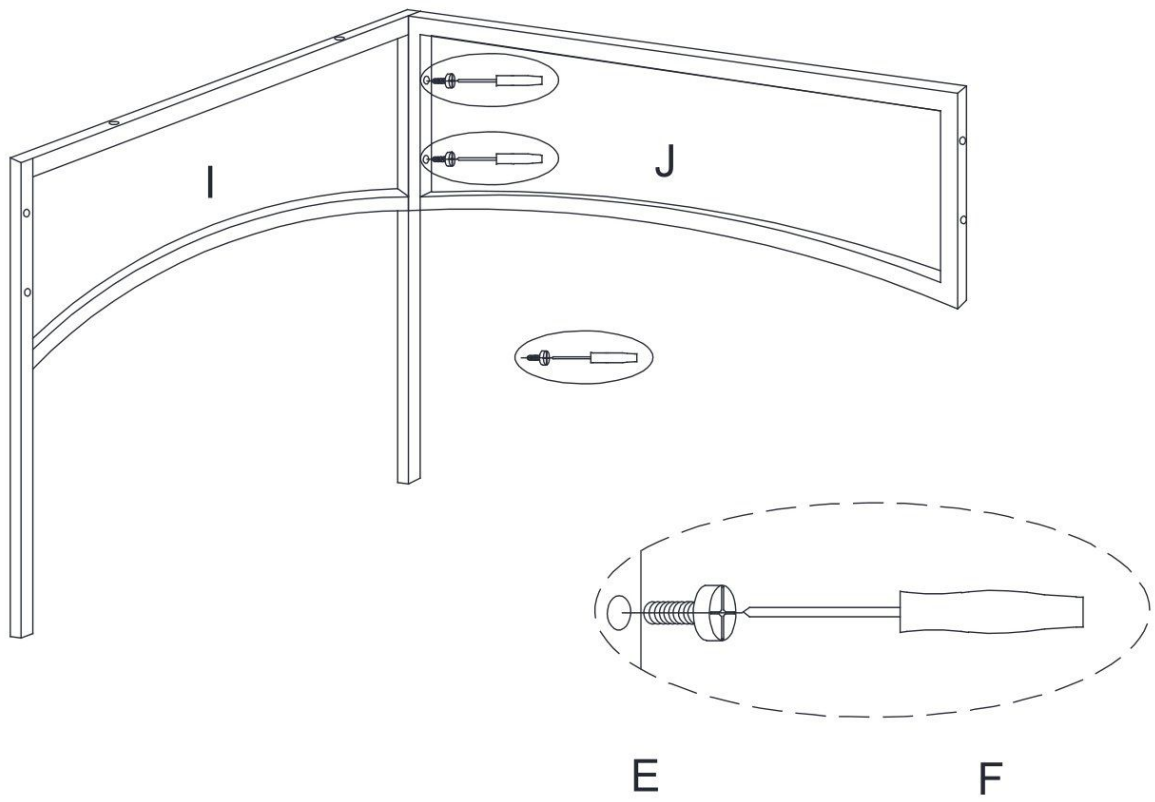
Step 5



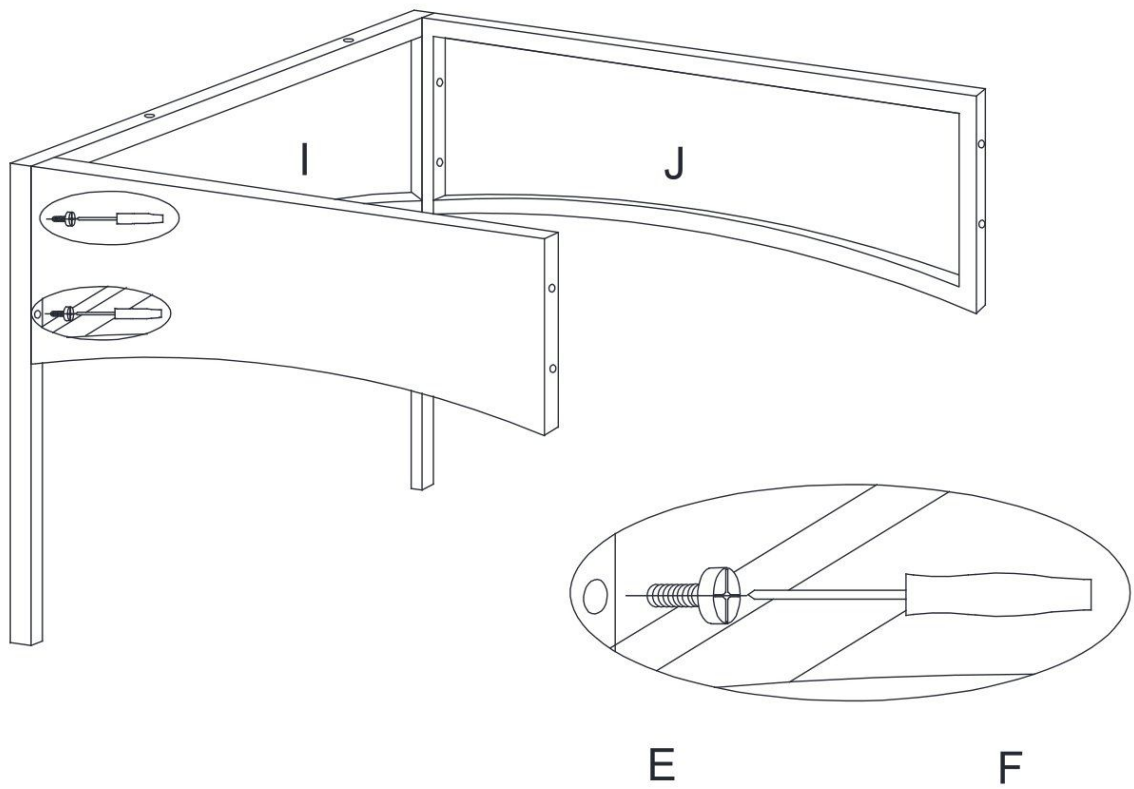
Step 6



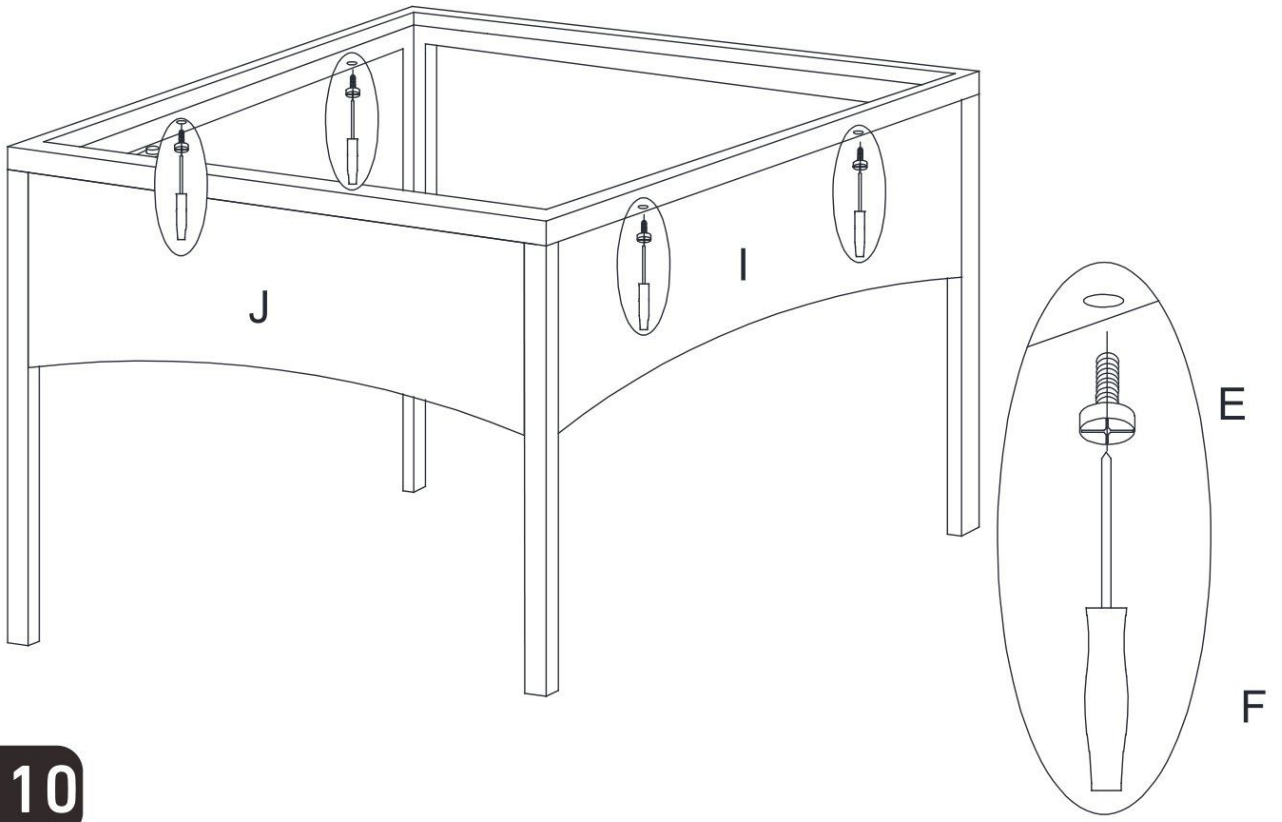
Step 7



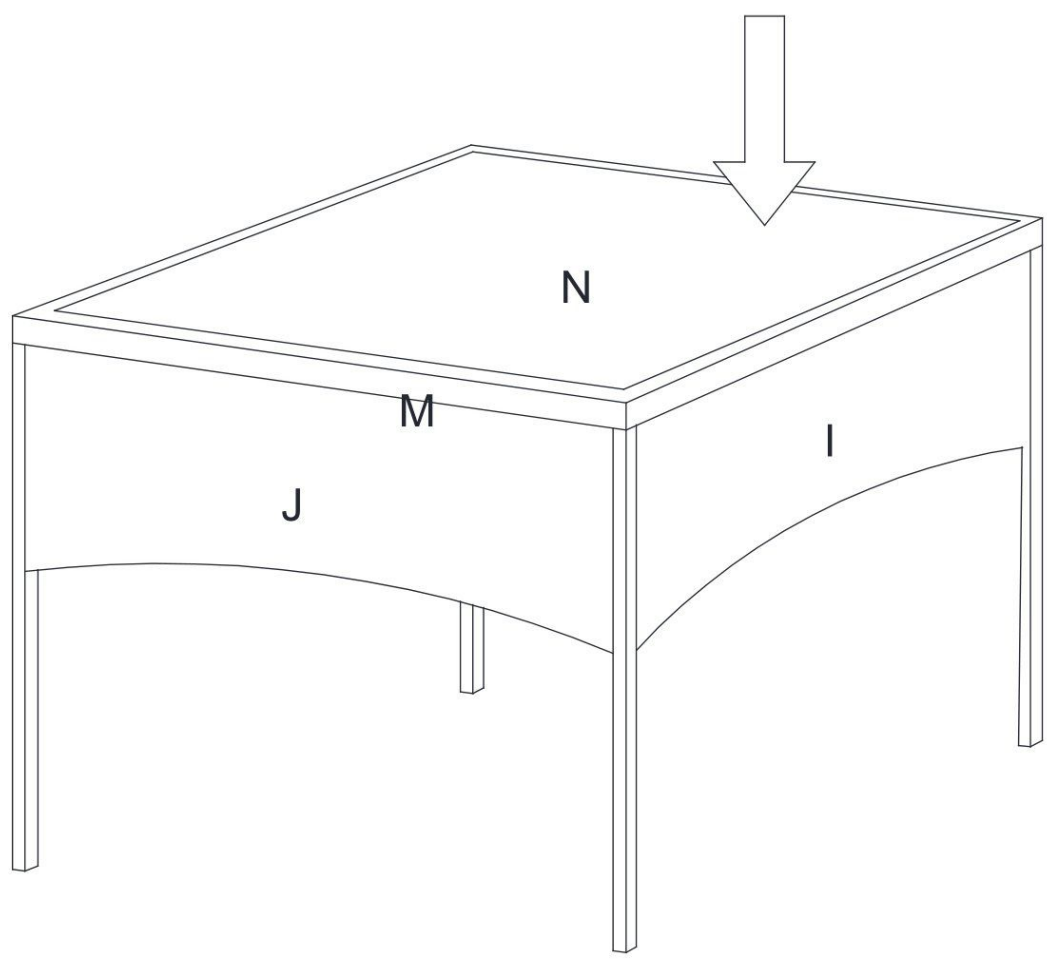
Step 8

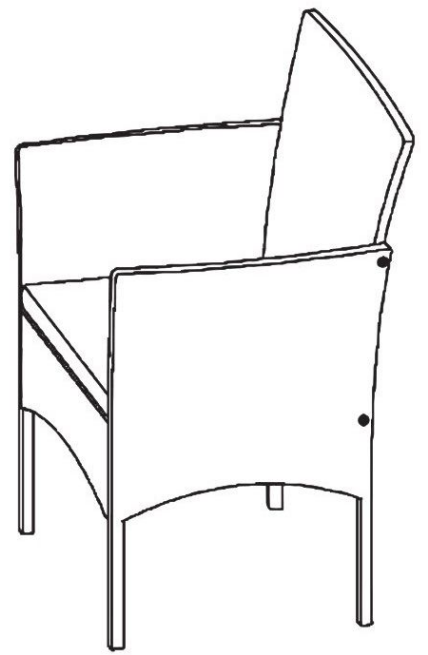
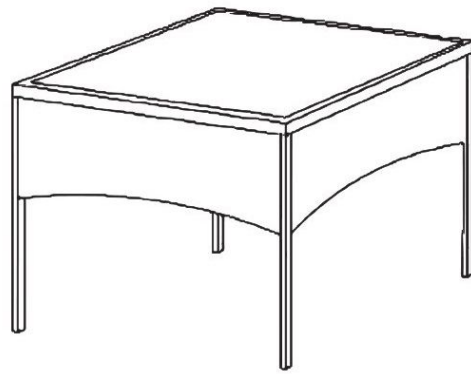
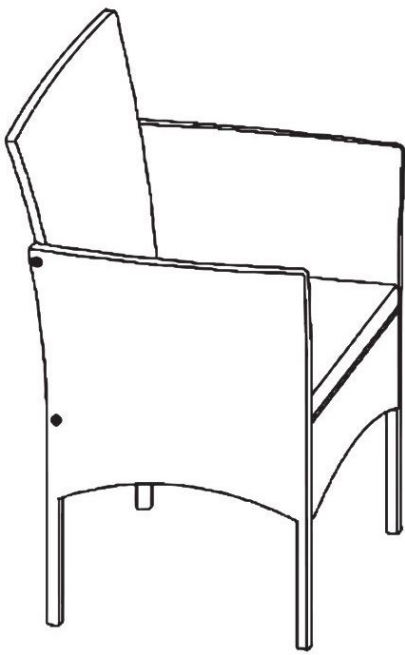


Step 9



Step 10





Thank you for choosing this product. We strive to provide you with the best quality products and service in the industry. Should you have any issues, please don't hesitate to contact us.